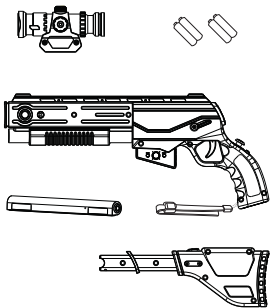
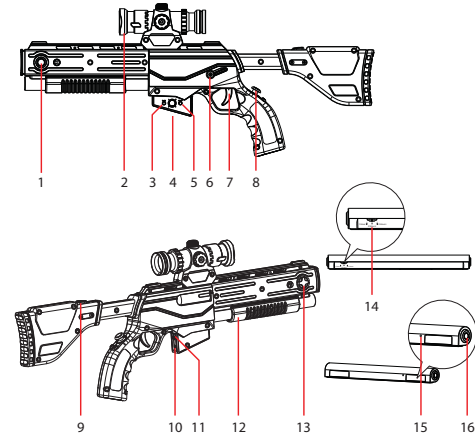


**! IMPORTANT!** Before using the Xbox 360 with this product, read the Xbox 360 instruction manual for safety, health, and other information regarding the use of the Xbox 360.



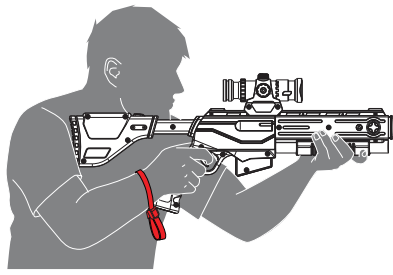
**WARNING**  
CHOKING HAZARD - Small parts  
Not for children under 3 years.

**NOTE:** Phillips /cross head screwdriver (not included) required for assembly.

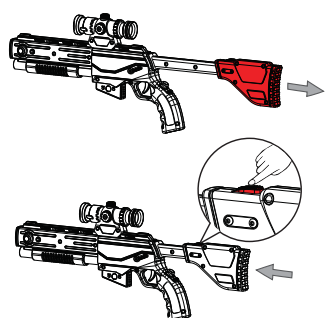


1. Right stick
2. Scope
3. BACK button
4. Xbox Guide button and Ring of Light
5. START button
6. Stock release lever
7. Trigger
8. Left stick
9. Stock adjustment button
10. Headset port
11. Connect button
12. Pump grip
13. Directional pad
14. Sensor bar sleep timer switch
15. Sensor bar status light
16. Sensor bar power/reset button

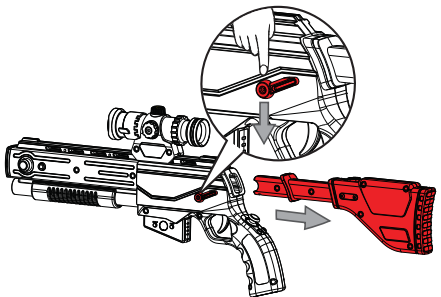
Always hold controller with both hands and wear the wriststrap



Adjusting the stock



Press down on lever to remove stock



**! WARNING!** This product may be mistaken for a firearm by law enforcement officers or others. Altering the coloration or markings required by state or federal law or regulations so as to make the product look more like a firearm is dangerous, and may be a crime. Brandishing or displaying this product in public may cause confusion and may be a crime.

**! IMPORTANT!** Please consult the wireless controller instruction manual for important health and safety information

**POWER SAVE MODE:** If the controller is turned on but has not been used for more than 15 minutes it will automatically enter a "sleep mode" to prolong battery life. To turn the power back on, press and hold the Xbox Guide button.

**Approximate sensor bar range: 3.5 m / 11.5 ft**

- LED light turns red when sensor bar is on
- LED will flash when sensor bar is about to turn off OR has low battery
- Press power/reset button for 1 second to turn off sensor bar

**! IMPORTANT!** Before using the Xbox 360 with this product, read the Xbox 360 instruction manual for safety, health, and other information regarding the use of the Xbox 360.

<p><b>1</b> Attach the scope</p>	<p><b>2</b> Connect the stock</p>	<p><b>3</b> Install the batteries</p>	<p><b>4</b> Install sensor bar batteries</p>
<p><b>5</b> Set sleep timer switch to 1, 2 or 3 hours</p>	<p>Press and release power/reset button to turn on sensor bar</p>	<p><b>6</b> Place sensor bar either above or below the TV screen</p>	<p><b>7</b> Turn ON the Xbox 360 console</p>
<p><b>8</b> Turn ON the controller</p>	<p><b>9</b> Press the Connect button</p>	<p><b>10</b> Press and hold the Connect button</p>	

Questions or issues when setting up your new controller? We recommend that you first contact Activision customer support before returning your product or visit the websites below for technical help:

**ActivisionHunts.com**  
**Activision.com/Support**  
**Facebook.com/ActivisionHunts**  
**Facebook.com/ActivisionAssist**