



COOLING CAPACITY:
34,000 - 56,000 BTU/H

ASXC18

**HIGH-EFFICIENCY,
COMFORTNET-COMPATIBLE,
SPLIT-SYSTEM AIR CONDITIONER
UP TO 19 SEER**



Contents

Nomenclature	2
Product Specifications	3
Expanded Cooling Data	4
AHRI Ratings.....	16
Dimensions	26
Wiring Diagram.....	27
Accessories	28

Standard Features

- R-410A chlorine-free refrigerant
- Two-Stage Copeland® UltraTech scroll compressor
- High-density foam compressor sound blanket
- ComfortNet™ Communications System compatible
- Expanded ComfortAlert diagnostics built in
- Set-up capable with two low-voltage wires to outdoor unit
- Diagnostic indicator lights and storage of six fault codes
- Color-coded terminal strip for non-communicating set-up
- Fully charged for 15' of tubing length
- Factory-installed filter drier
- Coil and ambient temperature sensors
- Sweat connection service valves with easy access to gauge ports
- AHRI Certified; ETL Listed

Cabinet Features

- Amana® brand sound control top design
- Wire fan discharge grille
- Steel louver coil guard
- Baked-on powder-paint finish
- Rust-resistant coated screws
- Compact footprint
- Top and side maintenance access
- Single-panel access to controls with space provided for field-installed accessories
- When properly anchored, meets the 2010 Florida Building Code unit integrity requirements for hurricane-type winds (Anchor bracket kits available.)



* Complete warranty details available from your local dealer or at www.amana-hac.com. To receive the Lifetime Unit Replacement Limited Warranty (good for as long as you own your home) and 10-Year Parts Limited Warranty, online registration must be completed within 60 days of installation. Online registration is not required in California or Québec.



NOMENCLATURE

	A	S	X	C	18	036	1	A	A		
	1	2	3	4	5,6	7,8,9	10	11	12		
Brand	A Amana® Brand							Engineering *			
								Minor Revision			
Product Category	S Split System							Engineering *			
								Major Revision			
Unit Type	C Condenser R-22 X Condenser R-410A H Heat Pump R-22 Z Heat Pump R-410A							Electrical			
								1	208/230 V, 1 Phase, 60 Hz		
								2	220/240 V, 1 Phase, 50 Hz		
								3	208/230 V, 3 Phase, 60 Hz		
								4	460 V, 3 Phase, 60 Hz		
								5	380/415 V, 3 Phase, 50 Hz		
Communication Feature	C ComfortNet 4-wire communications ready							Nominal Capacity			
								018	1½ Tons	048	4 Tons
								024	2 Tons	060	5 Tons
								030	2½ Tons	090	7½ tons
								036	3 Tons	120	10 Tons
								042	3½ Tons		
Efficiency	13 13 SEER		16 16 SEER								
	14 14 SEER		18 18 SEER								

* Neither used for order entry or inventory management.



SPECIFICATIONS

	ASXC18 0361A	ASXC18 0481A	ASXC18 0601A
COOLING CAPACITY			
Nominal Cooling (BTU/h)	35,000	47,000	57,000
Decibels	71	72	74
COMPRESSOR			
RLA	15.3	21.2	27.1
LRA	83	104	152.9
CONDENSER FAN MOTOR			
Horsepower (RPM)	⅓	⅓	⅓
FLA	2.80	2.80	2.80
REFRIGERATION SYSTEM			
Refrigerant Line Size ¹			
Liquid Line Size ("O.D.)	⅜"	⅜"	⅜"
Suction Line Size ("O.D.)	⅞"	1⅞"	1⅞"
Refrigerant Connection Size			
Liquid Valve Size ("O.D.)	⅜"	⅜"	⅜"
Suction Valve Size ("O.D.)	⅞"	⅞"	⅞"
Valve Connection Type	Sweat	Sweat	Sweat
Refrigerant Charge	187	262	262
Expansion Device	TXV	TXV	TXV
Superheat at Service Valve	7-9°F	7-9°F	7-9°F
Subcooling at Service Valve	5-7°F	5-7°F	5-7°F
ELECTRICAL DATA			
Voltage-Phase-Hz	208/230-1-60	208/230-1-60	208/230-1-60
Minimum Circuit Ampacity ¹	21.9	29.3	34.8
Max. Overcurrent Protection ²	35	50	60
Min / Max Volts	197 / 253	197 / 253	197 / 253
Electrical Conduit Size	½" or ¾"	½" or ¾"	½" or ¾"
EQUIPMENT WEIGHT (LBS)	206	268	274
SHIP WEIGHT (LBS)	228	290	296

¹ Wire size should be determined in accordance with National Electrical Codes; extensive wire runs will require larger wire sizes

² Must use time-delay fuses or HACR-type circuit breakers of the same size as noted.

NOTES

- Always check the S&R plate for electrical data on the unit being installed.
- Installer will need to supply ⅞" to 1⅞" adapters for suction line connections.
- Unit is charged with refrigerant for 15' of ⅜" liquid line. System charge must be adjusted per Installation Instructions Final Charge Procedure.
- Installation of these units that require a TXV Kit to be installed on the indoor coil.
- PLEASE NOTE: the specified TXV is determined by the outdoor unit, not the indoor coil.

EXPANDED COOLING DATA — ASXC180361A* / CA*F4961*6**+TXV / MBVC2000**-1 Low Stage

IDB	AIRFLOW	OUTDOOR AMBIENT TEMPERATURE												ENTERING INDOOR WET BULB TEMPERATURE											
		65°F				75°F				85°F				95°F				105°F				115°F			
		59	63	67	71	59	63	67	71	59	63	67	71	59	63	67	71	59	63	67	71	59	63	67	71
70	MBh	25.3	26.2	28.8	-	24.7	25.6	28.1	-	24.1	25.0	27.4	-	23.6	24.4	26.8	-	22.4	23.2	25.4	-	20.7	21.5	23.5	-
	S/T	0.76	0.63	0.44	-	0.79	0.66	0.45	-	0.81	0.67	0.47	-	0.83	0.70	0.48	-	0.86	0.72	0.50	-	0.87	0.73	0.50	-
	ΔT	19	16	12	-	19	17	13	-	19	17	13	-	19	17	13	-	19	17	13	-	18	15	12	-
	kW	1.30	1.33	1.38	-	1.41	1.45	1.50	-	1.51	1.55	1.60	-	1.60	1.63	1.69	-	1.67	1.71	1.77	-	1.73	1.77	1.84	-
	Amps	5.3	5.5	5.7	-	5.8	5.9	6.1	-	6.3	6.5	6.7	-	6.7	6.9	7.1	-	7.2	7.4	7.6	-	7.6	7.8	8.1	-
	Hi PR	210	226	229	-	237	255	259	-	270	290	295	-	308	331	335	-	332	357	362	-	394	423	429	-
	Lo PR	124	128	140	-	128	132	144	-	132	136	149	-	135	140	153	-	138	143	156	-	142	146	159	-
	MBh	24.6	25.5	27.9	-	24.0	24.9	27.3	-	23.4	24.3	26.6	-	22.9	23.7	26.0	-	21.7	22.5	24.7	-	20.1	20.9	22.9	-
	S/T	0.72	0.60	0.42	-	0.75	0.63	0.43	-	0.77	0.64	0.44	-	0.79	0.66	0.46	-	0.82	0.69	0.48	-	0.83	0.69	0.48	-
	ΔT	20	17	13	-	20	17	13	-	20	17	13	-	20	18	13	-	20	17	13	-	19	16	12	-
kW	1.29	1.32	1.37	-	1.40	1.43	1.48	-	1.50	1.53	1.59	-	1.58	1.62	1.68	-	1.65	1.69	1.75	-	1.72	1.76	1.82	-	
Amps	5.3	5.4	5.6	-	5.7	5.9	6.1	-	6.2	6.4	6.6	-	6.7	6.8	7.1	-	7.1	7.3	7.5	-	7.6	7.7	8.0	-	
Hi PR	208	224	227	-	235	253	256	-	267	288	292	-	305	327	332	-	329	354	359	-	390	419	425	-	
Lo PR	123	127	138	-	126	130	142	-	131	135	147	-	134	138	151	-	137	141	154	-	140	145	158	-	
MBh	22.7	23.5	25.8	-	22.2	23.0	25.2	-	21.6	22.4	24.6	-	21.1	21.9	24.0	-	20.1	20.8	22.8	-	18.6	19.3	21.1	-	
S/T	0.70	0.58	0.40	-	0.72	0.60	0.42	-	0.74	0.62	0.43	-	0.77	0.64	0.44	-	0.79	0.66	0.46	-	0.80	0.67	0.46	-	
ΔT	20	18	13	-	20	18	13	-	20	18	13	-	21	18	14	-	20	18	13	-	19	16	12	-	
kW	1.28	1.31	1.36	-	1.39	1.42	1.47	-	1.48	1.52	1.57	-	1.57	1.60	1.66	-	1.64	1.68	1.74	-	1.70	1.74	1.80	-	
Amps	5.2	5.4	5.5	-	5.7	5.8	6.0	-	6.2	6.3	6.5	-	6.6	6.8	7.0	-	7.1	7.2	7.5	-	7.5	7.7	7.9	-	
Hi PR	206	221	225	-	233	250	254	-	265	285	289	-	302	324	329	-	326	350	355	-	386	415	421	-	
Lo PR	122	125	137	-	125	129	141	-	129	133	146	-	133	137	150	-	135	140	153	-	139	143	156	-	

930	MBh	25.8	26.5	28.7	30.8	25.2	25.9	28.0	30.1	24.6	25.3	27.4	29.4	24.0	24.7	26.7	28.7	22.8	23.4	25.4	27.2	21.1	21.7	23.5	25.2
	S/T	0.86	0.77	0.58	0.38	0.89	0.80	0.60	0.39	0.92	0.82	0.62	0.40	0.95	0.85	0.64	0.41	0.98	0.88	0.66	0.43	0.99	0.89	0.67	0.43
	ΔT	22	20	17	11	22	20	17	12	22	20	17	12	22	21	17	12	22	20	17	12	21	19	16	11
	kW	1.30	1.33	1.38	1.43	1.41	1.45	1.50	1.55	1.51	1.55	1.60	1.66	1.60	1.63	1.69	1.75	1.67	1.71	1.77	1.83	1.73	1.77	1.84	1.90
	Amps	5.3	5.5	5.7	5.9	5.8	5.9	6.1	6.4	6.3	6.5	6.7	6.9	6.7	6.9	7.1	7.4	7.2	7.4	7.6	7.9	7.6	7.8	8.1	8.4
	Hi PR	210	226	229	234	237	255	259	265	270	290	295	301	308	331	335	343	332	357	362	370	394	423	429	439
	Lo PR	124	128	140	149	128	132	144	153	132	136	149	158	135	140	153	162	138	143	156	166	142	146	159	170
	MBh	25.0	25.7	27.9	29.9	24.4	25.1	27.2	29.2	23.8	24.5	26.6	28.5	23.3	23.9	25.9	27.8	22.1	22.8	24.6	26.4	20.5	21.1	22.8	24.5
	S/T	0.82	0.74	0.56	0.36	0.85	0.76	0.58	0.37	0.87	0.78	0.59	0.38	0.90	0.81	0.61	0.39	0.94	0.84	0.63	0.41	0.94	0.84	0.64	0.41
	ΔT	23	21	17	12	23	21	17	12	23	21	18	12	23	22	18	12	23	21	17	12	22	20	16	11
kW	1.29	1.32	1.37	1.42	1.40	1.43	1.48	1.54	1.50	1.53	1.59	1.64	1.58	1.62	1.68	1.74	1.65	1.69	1.75	1.82	1.72	1.76	1.82	1.88	
Amps	5.3	5.4	5.6	5.8	5.7	5.9	6.1	6.3	6.2	6.4	6.6	6.9	6.7	6.8	7.1	7.4	7.1	7.3	7.5	7.8	7.6	7.7	8.0	8.3	
Hi PR	208	224	227	232	235	253	256	262	267	288	292	298	305	327	332	339	329	354	359	367	390	419	425	435	
Lo PR	123	127	138	147	126	130	142	152	131	135	147	157	134	138	151	161	137	141	154	164	140	145	158	168	
MBh	23.1	23.8	25.7	27.6	22.5	23.2	25.1	27.0	22.0	22.7	24.5	26.3	21.5	22.1	23.9	25.7	20.4	21.0	22.7	24.4	18.9	19.5	21.1	22.6	
S/T	0.79	0.71	0.54	0.35	0.82	0.74	0.56	0.36	0.84	0.75	0.57	0.37	0.87	0.78	0.59	0.38	0.90	0.81	0.61	0.39	0.91	0.81	0.62	0.40	
ΔT	23	22	18	12	24	22	18	12	24	22	18	12	24	22	18	12	24	22	18	12	22	20	17	11	
kW	1.28	1.31	1.36	1.40	1.39	1.42	1.47	1.52	1.48	1.52	1.57	1.63	1.57	1.60	1.66	1.72	1.64	1.68	1.74	1.80	1.70	1.74	1.80	1.87	
Amps	5.2	5.4	5.5	5.8	5.7	5.8	6.0	6.2	6.2	6.3	6.5	6.8	6.6	6.8	7.0	7.3	7.1	7.2	7.5	7.8	7.5	7.7	7.9	8.2	
Hi PR	206	221	225	230	233	250	254	259	265	285	289	295	302	324	329	336	326	350	355	363	386	415	421	430	
Lo PR	122	125	137	146	125	129	141	150	129	133	146	155	133	137	150	159	135	140	153	162	139	143	156	166	

IDB = Entering Indoor Dry Bulb Temperature
 High and low pressures are measured at the liquid and suction service valves.
 Shaded area is ACCA (TVA) conditions
 kW = Total system power
 Amps = outdoor unit amps (comp. + fan)

EXPANDED COOLING DATA — ASXC180361A* / CA*F4961*6** +TXV / MBVC2000**-1 Low STAGE (CONT.)

IDB	AIRFLOW	OUTDOOR AMBIENT TEMPERATURE												ENTERING INDOOR WET BULB TEMPERATURE											
		65°F				75°F				85°F				95°F				105°F				115°F			
		59	63	67	71	59	63	67	71	59	63	67	71	59	63	67	71	59	63	67	71	59	63	67	71
930	MBh	26.2	26.8	28.6	30.6	25.6	26.2	28.0	29.9	25.0	25.5	27.3	29.2	24.4	24.9	26.6	28.5	23.2	23.7	25.3	27.0	21.5	21.9	23.4	25.0
	S/T	0.95	0.89	0.72	0.54	1.00	0.92	0.75	0.56	1.00	0.94	0.77	0.57	1.00	1.00	0.79	0.59	1.00	1.00	0.82	0.61	1.00	1.00	0.83	0.62
	ΔT	25	23	20	16	25	24	21	17	25	24	21	17	24	25	21	17	23	23	21	16	21	22	19	15
	kW	1.30	1.33	1.38	1.43	1.41	1.45	1.50	1.55	1.51	1.55	1.60	1.66	1.60	1.63	1.69	1.75	1.67	1.71	1.77	1.83	1.73	1.77	1.84	1.90
	Amps	5.3	5.5	5.7	5.9	5.8	5.9	6.1	6.4	6.3	6.5	6.7	6.9	6.7	6.9	7.1	7.4	7.2	7.4	7.6	7.9	7.6	7.8	8.1	8.4
	HI PR	210	226	229	234	237	255	259	265	270	290	295	301	308	331	335	343	332	357	362	370	394	423	429	439
Lo PR	124	128	140	149	128	132	144	153	132	136	149	158	135	140	153	162	138	143	156	166	142	146	159	170	
825	MBh	25.4	26.0	27.8	29.7	24.9	25.4	27.1	29.0	24.3	24.8	26.5	28.3	23.7	24.2	25.8	27.6	22.5	23.0	24.6	26.2	20.8	21.3	22.7	24.3
	S/T	0.90	0.85	0.69	0.51	0.93	0.88	0.71	0.53	0.96	0.90	0.73	0.55	0.99	0.93	0.76	0.56	1.00	0.96	0.78	0.59	1.00	0.97	0.79	0.59
	ΔT	26	25	21	17	26	25	22	17	26	25	22	17	26	25	22	17	25	25	21	17	23	23	20	16
	kW	1.29	1.32	1.37	1.42	1.40	1.43	1.48	1.54	1.50	1.53	1.59	1.64	1.58	1.62	1.68	1.74	1.65	1.69	1.75	1.82	1.72	1.76	1.82	1.88
	Amps	5.3	5.4	5.6	5.8	5.7	5.9	6.1	6.3	6.2	6.4	6.6	6.9	6.7	6.8	7.1	7.4	7.1	7.3	7.5	7.8	7.6	7.7	8.0	8.3
	HI PR	208	224	227	232	235	253	256	262	267	288	292	298	305	327	332	339	329	354	359	367	390	419	425	435
Lo PR	123	127	138	147	126	130	142	152	131	135	147	157	134	138	151	161	137	141	154	164	140	145	158	168	
720	MBh	23.5	24.0	25.6	27.4	22.9	23.4	25.0	26.8	22.4	22.9	24.5	26.1	21.9	22.3	23.9	25.5	20.8	21.2	22.7	24.2	19.2	19.6	21.0	22.4
	S/T	0.87	0.82	0.66	0.50	0.90	0.85	0.69	0.51	0.92	0.87	0.71	0.53	0.95	0.89	0.73	0.54	0.99	0.93	0.76	0.56	1.00	0.94	0.76	0.57
	ΔT	26	25	22	17	26	25	22	18	26	25	22	18	27	26	22	18	26	25	22	17	25	24	20	16
	kW	1.28	1.31	1.36	1.40	1.39	1.42	1.47	1.52	1.48	1.52	1.57	1.63	1.57	1.60	1.66	1.72	1.64	1.68	1.74	1.80	1.70	1.74	1.80	1.87
	Amps	5.2	5.4	5.5	5.8	5.7	5.8	6.0	6.2	6.2	6.3	6.5	6.8	6.6	6.8	7.0	7.3	7.1	7.2	7.5	7.8	7.5	7.7	7.9	8.2
	HI PR	206	221	225	230	233	250	254	259	265	285	289	295	302	324	329	336	326	350	355	363	386	415	421	430
Lo PR	122	125	137	146	125	129	141	150	129	133	146	155	133	137	150	159	135	140	153	162	139	143	156	166	
930	MBh	26.7	27.2	28.5	30.4	26.0	26.6	27.8	29.7	25.4	25.9	27.1	29.0	24.8	25.3	26.5	28.3	23.6	24.0	25.2	26.8	21.8	22.3	23.3	24.9
	S/T	0.99	0.96	0.86	0.70	1.00	0.99	0.89	0.73	1.00	1.00	0.92	0.74	1.00	1.00	0.95	0.77	1.00	1.00	0.98	0.80	1.00	1.00	0.99	0.80
	ΔT	26	26	24	21	26	26	25	21	25	26	25	21	25	25	25	21	23	24	24	21	22	22	23	20
	kW	1.30	1.33	1.38	1.43	1.41	1.45	1.50	1.55	1.51	1.55	1.60	1.66	1.60	1.63	1.69	1.75	1.67	1.71	1.77	1.83	1.73	1.77	1.84	1.90
	Amps	5.3	5.5	5.7	5.9	5.8	5.9	6.1	6.4	6.3	6.5	6.7	6.9	6.7	6.9	7.1	7.4	7.2	7.4	7.6	7.9	7.6	7.8	8.1	8.4
	HI PR	210	226	229	234	237	255	259	265	270	290	295	301	308	331	335	343	332	357	362	370	394	423	429	439
Lo PR	124	128	140	149	128	132	144	153	132	136	149	158	135	140	153	162	138	143	156	166	142	146	159	170	
825	MBh	25.9	26.4	27.6	29.5	25.3	25.8	27.0	28.8	24.7	25.2	26.4	28.1	24.1	24.6	25.7	27.4	22.9	23.3	24.4	26.1	21.2	21.6	22.6	24.1
	S/T	0.95	0.91	0.82	0.67	0.98	0.95	0.85	0.69	1.00	0.97	0.88	0.71	1.00	1.00	0.90	0.73	1.00	1.00	0.94	0.76	1.00	1.00	0.95	0.77
	ΔT	27	27	25	22	28	27	26	22	28	27	26	22	27	27	26	22	25	26	26	22	24	24	24	21
	kW	1.29	1.32	1.37	1.42	1.40	1.43	1.48	1.54	1.50	1.53	1.59	1.64	1.58	1.62	1.68	1.74	1.65	1.69	1.75	1.82	1.72	1.76	1.82	1.88
	Amps	5.3	5.4	5.6	5.8	5.7	5.9	6.1	6.3	6.2	6.4	6.6	6.9	6.7	6.8	7.1	7.4	7.1	7.3	7.5	7.8	7.6	7.7	8.0	8.3
	HI PR	208	224	227	232	235	253	256	262	267	288	292	298	305	327	332	339	329	354	359	367	390	419	425	435
Lo PR	123	127	138	147	126	130	142	152	131	135	147	157	134	138	151	161	137	141	154	164	140	145	158	168	
720	MBh	23.9	24.4	25.5	27.2	23.3	23.8	24.9	26.6	22.8	23.2	24.3	26.0	22.2	22.7	23.7	25.3	21.1	21.5	22.5	24.1	19.6	19.9	20.9	22.3
	S/T	0.91	0.88	0.79	0.64	0.94	0.91	0.82	0.67	0.97	0.93	0.84	0.68	1.00	0.97	0.87	0.71	1.00	1.00	0.90	0.73	1.00	1.00	0.91	0.74
	ΔT	27.8	27	26	22	28	28	26	23	28	28	26	23	28	28	26	23	27	27	26	23	25	25	24	21
	kW	1.28	1.31	1.36	1.40	1.39	1.42	1.47	1.52	1.48	1.52	1.57	1.63	1.57	1.60	1.66	1.72	1.64	1.68	1.74	1.80	1.70	1.74	1.80	1.87
	Amps	5.2	5.4	5.5	5.8	5.7	5.8	6.0	6.2	6.2	6.3	6.5	6.8	6.6	6.8	7.0	7.3	7.1	7.2	7.5	7.8	7.5	7.7	7.9	8.2
	HI PR	206	221	225	230	233	250	254	259	265	285	289	295	302	324	329	336	326	350	355	363	386	415	421	430
Lo PR	122	125	137	146	125	129	141	150	129	133	146	155	133	137	150	159	135	140	153	162	139	143	156	166	

IDB = Entering Indoor Dry Bulb Temperature
 High and low pressures are measured at the liquid and suction service valves.
 Shaded area is AHRI (TVA) conditions
 kW = Total system power
 Amps = outdoor unit amps (comp. +fan)

EXPANDED COOLING DATA — ASXC180361A* / CA*F4961*6** +TXV / MBVC2000** -1 HIGH STAGE

IDB	AIRFLOW	OUTDOOR AMBIENT TEMPERATURE												ENTERING INDOOR WET BULB TEMPERATURE											
		65°F				75°F				85°F				95°F				105°F				115°F			
		59	63	67	71	59	63	67	71	59	63	67	71	59	63	67	71	59	63	67	71	59	63	67	71
70	MBh	36.7	38.1	41.7	-	35.9	37.2	40.7	-	35.0	36.3	39.8	-	34.2	35.4	38.8	-	32.4	33.6	36.8	-	30.1	31.2	34.1	-
	S/T	0.74	0.62	0.43	-	0.76	0.64	0.44	-	0.78	0.65	0.45	-	0.81	0.68	0.47	-	0.84	0.70	0.49	-	0.85	0.71	0.49	-
	ΔT	19	16	12	-	19	16	12	-	19	16	12	-	19	17	13	-	19	16	12	-	18	15	12	-
	kW	2.09	2.14	2.21	-	2.26	2.31	2.39	-	2.41	2.47	2.56	-	2.55	2.61	2.70	-	2.66	2.73	2.82	-	2.76	2.83	2.93	-
	Amps	8.2	8.4	8.7	-	8.9	9.1	9.4	-	9.7	9.9	10.3	-	10.4	10.7	11.0	-	11.1	11.4	11.8	-	11.8	12.1	12.5	-
	Hi PR	220	237	240	-	249	268	271	-	283	304	309	-	322	347	352	-	348	374	380	-	413	444	450	-
Lo PR	118	122	133	-	122	126	137	-	126	130	142	-	129	134	146	-	132	136	149	-	135	140	152	-	
70	MBh	35.6	36.9	40.5	-	34.8	36.1	39.5	-	34.0	35.2	38.6	-	33.2	34.4	37.7	-	31.5	32.7	35.8	-	29.2	30.2	33.1	-
	S/T	0.70	0.59	0.41	-	0.73	0.61	0.42	-	0.75	0.62	0.43	-	0.77	0.64	0.45	-	0.80	0.67	0.46	-	0.81	0.67	0.47	-
	ΔT	20	17	13	-	20	17	13	-	20	17	13	-	20	17	13	-	20	17	13	-	18	16	12	-
	kW	2.07	2.12	2.19	-	2.24	2.29	2.37	-	2.39	2.45	2.53	-	2.53	2.59	2.68	-	2.64	2.70	2.80	-	2.74	2.80	2.90	-
	Amps	8.1	8.3	8.6	-	8.8	9.0	9.3	-	9.6	9.9	10.2	-	10.3	10.6	10.9	-	11.0	11.3	11.7	-	11.7	12.0	12.4	-
	Hi PR	218	234	238	-	246	265	269	-	280	301	306	-	319	343	348	-	345	371	376	-	409	439	446	-
Lo PR	117	121	132	-	121	125	136	-	125	129	141	-	128	132	144	-	131	135	147	-	134	138	151	-	
1025	MBh	32.9	34.1	37.4	-	32.1	33.3	36.5	-	31.4	32.5	35.6	-	30.6	31.7	34.8	-	29.1	30.1	33.0	-	26.9	27.9	30.6	-
	S/T	0.68	0.57	0.39	-	0.70	0.59	0.41	-	0.72	0.60	0.42	-	0.74	0.62	0.43	-	0.77	0.65	0.45	-	0.78	0.65	0.45	-
	ΔT	20	17	13	-	20	18	13	-	20	18	13	-	20	18	13	-	20	17	13	-	19	16	12	-
	kW	2.05	2.10	2.17	-	2.22	2.27	2.35	-	2.37	2.43	2.51	-	2.50	2.56	2.65	-	2.62	2.68	2.77	-	2.71	2.78	2.88	-
	Amps	8.1	8.3	8.5	-	8.7	9.0	9.3	-	9.5	9.8	10.1	-	10.2	10.5	10.8	-	10.9	11.2	11.5	-	11.6	11.8	12.3	-
	Hi PR	216	232	235	-	244	262	266	-	278	298	303	-	316	340	345	-	341	367	372	-	405	435	441	-
Lo PR	116	120	131	-	120	123	135	-	124	127	139	-	127	131	143	-	129	134	146	-	133	137	149	-	

1330	MBh	37.3	38.4	41.6	44.7	36.5	37.5	40.6	43.6	35.6	36.7	39.7	42.6	34.7	35.8	38.7	41.5	33.0	34.0	36.8	39.5	30.6	31.5	34.1	36.6
	S/T	0.84	0.75	0.57	0.37	0.87	0.78	0.59	0.38	0.89	0.80	0.60	0.39	0.92	0.82	0.62	0.40	0.95	0.85	0.65	0.42	0.96	0.86	0.65	0.42
	ΔT	22	20	16	11	22	20	17	11	22	20	17	11	22	20	17	12	22	20	16	11	20	19	15	11
	kW	2.09	2.14	2.21	2.28	2.26	2.31	2.39	2.48	2.41	2.47	2.56	2.65	2.55	2.61	2.70	2.80	2.66	2.73	2.82	2.92	2.76	2.83	2.93	3.03
	Amps	8.2	8.4	8.7	9.0	8.9	9.1	9.4	9.8	9.7	9.9	10.3	10.7	10.4	10.7	11.0	11.5	11.1	11.4	11.8	12.2	11.8	12.1	12.5	13.0
	Hi PR	220	237	240	245	249	268	271	277	283	304	309	316	322	347	352	359	348	374	380	388	413	444	450	460
Lo PR	118	122	133	142	122	126	137	146	126	130	142	151	129	134	146	155	132	136	149	158	135	140	152	162	
1175	MBh	36.3	37.3	40.4	43.4	35.4	36.5	39.5	42.4	34.6	35.6	38.5	41.3	33.7	34.7	37.6	40.3	32.0	33.0	35.7	38.3	29.7	30.6	33.1	35.5
	S/T	0.80	0.72	0.54	0.35	0.83	0.74	0.56	0.36	0.85	0.76	0.58	0.37	0.88	0.78	0.59	0.38	0.91	0.81	0.62	0.40	0.92	0.82	0.62	0.40
	ΔT	23	21	17	12	23	21	17	12	23	21	17	12	23	21	17	12	23	21	17	12	21	20	16	11
	kW	2.07	2.12	2.19	2.26	2.24	2.29	2.37	2.45	2.39	2.45	2.53	2.62	2.53	2.59	2.68	2.77	2.64	2.70	2.80	2.90	2.74	2.80	2.90	3.01
	Amps	8.1	8.3	8.6	9.0	8.8	9.0	9.3	9.7	9.6	9.9	10.2	10.6	10.3	10.6	10.9	11.4	11.0	11.3	11.7	12.1	11.7	12.0	12.4	12.9
	Hi PR	218	234	238	243	246	265	269	275	280	301	306	312	319	343	348	356	345	371	376	384	409	439	446	455
Lo PR	117	121	132	141	121	125	136	145	125	129	141	150	128	132	144	154	131	135	147	157	134	138	151	161	
1025	MBh	33.5	34.5	37.3	40.0	32.7	33.6	36.4	39.1	31.9	32.8	35.6	38.2	31.1	32.0	34.7	37.2	29.6	30.4	33.0	35.4	27.4	28.2	30.5	32.8
	S/T	0.77	0.69	0.52	0.34	0.80	0.71	0.54	0.35	0.82	0.73	0.55	0.36	0.85	0.76	0.57	0.37	0.88	0.79	0.59	0.38	0.89	0.79	0.60	0.39
	ΔT	23	21	17	12	23	22	18	12	23	22	18	12	24	22	18	12	23	21	18	12	22	20	16	11
	kW	2.05	2.10	2.17	2.24	2.22	2.27	2.35	2.43	2.37	2.43	2.51	2.60	2.50	2.56	2.65	2.75	2.62	2.68	2.77	2.87	2.71	2.78	2.88	2.98
	Amps	8.1	8.3	8.5	8.9	8.7	9.0	9.3	9.6	9.5	9.8	10.1	10.5	10.2	10.5	10.8	11.2	10.9	11.2	11.5	12.0	11.6	11.8	12.3	12.7
	Hi PR	216	232	235	241	244	262	266	272	278	298	303	309	316	340	345	352	341	367	372	380	405	435	441	451
Lo PR	116	120	131	139	120	123	135	143	124	127	139	148	127	131	143	152	129	134	146	155	133	137	149	159	

IDB = Entering Indoor Dry Bulb Temperature
 High and low pressures are measured at the liquid and suction service valves.
 Shaded area is ACCA (TVA) conditions
 kW = Total system power
 Amps = outdoor unit amps (comp. + fan)

EXPANDED COOLING DATA — ASXC180481A* / CA*F4961*6** +TXV / MBVC2000** -1 LOW STAGE

IDB		OUTDOOR AMBIENT TEMPERATURE												ENTERING INDOOR WET BULB TEMPERATURE												
		65°F				75°F				85°F				95°F				105°F				115°F				
		59	63	67	71	59	63	67	71	59	63	67	71	59	63	67	71	59	63	67	71	59	63	67	71	
70	1325	MBh	34.6	35.8	39.3	-	33.8	35.0	38.3	-	33.0	34.2	37.4	-	32.2	33.3	36.5	-	30.5	31.7	34.7	-	28.3	29.3	32.1	-
		S/T	0.76	0.64	0.44	-	0.79	0.66	0.46	-	0.81	0.68	0.47	-	0.83	0.70	0.48	-	0.87	0.72	0.50	-	0.87	0.73	0.51	-
		ΔT	18	16	12	-	18	16	12	-	18	16	12	-	19	16	12	-	18	16	12	-	17	15	11	-
	1175	kW	1.87	1.91	1.97	-	2.02	2.07	2.14	-	2.16	2.21	2.29	-	2.28	2.34	2.42	-	2.39	2.44	2.53	-	2.47	2.53	2.62	-
		Amps	7.2	7.4	7.6	-	7.8	8.0	8.3	-	8.5	8.7	9.0	-	9.1	9.4	9.7	-	9.7	10.0	10.3	-	10.4	10.6	11.0	-
		Hi PR	216	232	235	-	244	262	266	-	277	298	303	-	316	340	345	-	356	382	388	-	398	428	434	-
	1025	Lo PR	121	125	137	-	125	129	141	-	129	133	146	-	133	137	149	-	135	140	152	-	139	143	156	-
		MBh	33.6	34.8	38.1	-	32.8	34.0	37.2	-	32.0	33.2	36.3	-	31.2	32.4	35.5	-	29.7	30.7	33.7	-	27.5	28.5	31.2	-
		S/T	0.73	0.61	0.42	-	0.75	0.63	0.44	-	0.77	0.64	0.45	-	0.80	0.66	0.46	-	0.83	0.69	0.48	-	0.83	0.70	0.48	-
	75	1325	ΔT	19	16	13	-	19	17	13	-	19	17	13	-	19	17	13	-	19	17	13	-	18	16	12
kW			1.87	1.91	1.97	2.04	2.02	2.07	2.14	2.22	2.16	2.21	2.29	2.37	2.28	2.34	2.42	2.51	2.39	2.44	2.53	2.62	2.47	2.53	2.62	2.72
Amps			7.2	7.4	7.6	7.9	7.8	8.0	8.3	8.6	8.5	8.7	9.0	9.4	9.1	9.4	9.7	10.1	9.7	10.0	10.3	10.8	10.4	10.6	11.0	11.4
1175		Hi PR	216	232	235	241	244	262	266	272	277	298	303	309	316	340	345	352	356	382	388	396	398	428	434	444
		Lo PR	121	125	137	146	125	129	141	150	129	133	146	155	133	137	149	159	135	140	152	162	139	143	156	166
		MBh	34.1	35.1	38.0	40.8	33.3	34.3	37.2	39.9	32.5	33.5	36.3	38.9	31.7	32.7	35.4	38.0	30.2	31.1	33.6	36.1	27.9	28.8	31.1	33.4
1025		S/T	0.82	0.74	0.56	0.36	0.85	0.76	0.58	0.37	0.88	0.78	0.59	0.38	0.90	0.81	0.61	0.39	0.94	0.84	0.64	0.41	0.95	0.85	0.64	0.41
		ΔT	22	20	17	11	22	21	17	12	22	21	17	12	22	21	17	12	22	20	17	12	21	19	16	11
		kW	1.85	1.89	1.96	2.03	2.00	2.05	2.12	2.20	2.14	2.19	2.27	2.35	2.26	2.32	2.40	2.48	2.36	2.42	2.51	2.60	2.45	2.51	2.60	2.69
75		1025	Amps	7.1	7.3	7.6	7.9	7.7	7.9	8.2	8.5	8.4	8.7	9.0	9.3	9.0	9.3	9.6	10.0	9.7	9.9	10.2	10.6	10.3	10.5	10.9
	Hi PR		214	230	233	238	242	260	263	269	275	295	300	306	313	336	341	349	352	378	384	392	394	424	430	439
	Lo PR		120	124	135	144	124	128	139	148	128	132	144	154	131	136	148	158	134	138	151	161	137	142	155	165
75	1025	MBh	31.5	32.4	35.1	37.7	30.8	31.7	34.3	36.8	30.0	30.9	33.5	35.9	29.3	30.2	32.7	35.1	27.8	28.7	31.0	33.3	25.8	26.6	28.7	30.8
		S/T	0.80	0.71	0.54	0.35	0.82	0.74	0.56	0.36	0.85	0.76	0.57	0.37	0.87	0.78	0.59	0.38	0.91	0.81	0.61	0.39	0.91	0.82	0.62	0.40
		ΔT	22	21	17	12	23	21	17	12	23	21	17	12	23	21	17	12	23	21	17	12	21	19	16	11
75	1025	kW	1.83	1.88	1.94	2.01	1.99	2.03	2.10	2.18	2.12	2.17	2.25	2.33	2.24	2.29	2.38	2.46	2.34	2.40	2.48	2.57	2.43	2.49	2.58	2.67
		Amps	7.1	7.2	7.5	7.8	7.7	7.9	8.1	8.4	8.4	8.6	8.9	9.2	9.0	9.2	9.5	9.9	9.6	9.8	10.1	10.5	10.2	10.4	10.8	11.2
		Hi PR	212	227	231	236	239	257	261	267	272	292	297	303	310	333	338	345	348	375	380	388	390	420	426	435
75	1025	Lo PR	119	123	134	143	123	126	138	147	127	131	143	152	130	134	147	156	133	137	149	159	136	140	153	163

IDB = Entering Indoor Dry Bulb Temperature
 High and low pressures are measured at the liquid and suction service valves.
 Shaded area is ACCA (TVA) conditions
 kW = Total system power
 Amps = outdoor unit amps (comp. + fan)

EXPANDED COOLING DATA — ASXC180481A* / CA*F4961*6** +TXV / MBVC2000** -1 HIGH STAGE

IDB	AIRFLOW	OUTDOOR AMBIENT TEMPERATURE												ENTERING INDOOR WET BULB TEMPERATURE													
		65°F				75°F				85°F				95°F				105°F				115°F					
		59	63	67	71	59	63	67	71	59	63	67	71	59	63	67	71	59	63	67	71	59	63	67	71		
70	1970	MBh	48.2	50.0	54.8	-	47.1	48.8	53.5	-	46.0	47.7	52.2	-	44.9	46.5	50.9	-	42.6	44.2	48.4	-	39.5	40.9	44.8	-	
		S/T	0.77	0.64	0.44	-	0.79	0.66	0.46	-	0.81	0.68	0.47	-	0.84	0.70	0.49	-	0.87	0.73	0.50	-	0.88	0.73	0.51	-	
		ΔT	17	15	11	-	17	15	11	-	17	15	11	-	18	15	12	-	17	15	11	-	16	14	11	-	
	1750	kW	2.87	2.94	3.03	-	3.10	3.17	3.27	-	3.30	3.37	3.48	-	3.47	3.55	3.67	-	3.62	3.70	3.83	-	3.75	3.84	3.97	-	
		Amps	10.2	10.5	10.8	-	11.1	11.4	11.7	-	12.1	12.4	12.8	-	13.0	13.3	13.7	-	13.8	14.2	14.7	-	14.7	15.1	15.6	-	
		Hi PR	228	245	248	-	257	277	280	-	292	315	319	-	333	358	363	-	375	403	409	-	420	451	458	-	
	1530	Lo PR	121	124	136	-	124	128	140	-	128	132	145	-	132	136	148	-	134	139	151	-	138	142	155	-	
		MBh	46.8	48.5	53.2	-	45.7	47.4	51.9	-	44.6	46.3	50.7	-	43.5	45.1	49.5	-	41.4	42.9	47.0	-	38.3	39.7	43.5	-	
		S/T	0.73	0.61	0.42	-	0.76	0.63	0.44	-	0.78	0.65	0.45	-	0.80	0.67	0.46	-	0.83	0.69	0.48	-	0.84	0.70	0.48	-	
	75	1970	ΔT	18	16	12	-	18	16	12	-	18	16	12	-	19	16	12	-	18	16	12	-	17	15	11	-
			kW	2.83	2.89	2.98	-	3.05	3.12	3.22	-	3.24	3.32	3.43	-	3.42	3.49	3.61	-	3.56	3.64	3.76	-	3.69	3.77	3.90	-
			Amps	10.0	10.3	10.6	-	10.9	11.1	11.5	-	11.9	12.2	12.6	-	12.7	13.0	13.5	-	13.6	13.9	14.4	-	14.4	14.8	15.3	-
1750		Hi PR	223	240	243	-	252	271	275	-	287	308	313	-	327	351	356	-	367	395	401	-	411	442	449	-	
		Lo PR	118	122	133	-	122	125	137	-	126	130	142	-	129	133	145	-	132	136	148	-	135	139	152	-	
		MBh	43.2	44.8	49.1	-	42.2	43.7	47.9	-	41.2	42.7	46.8	-	40.2	41.7	45.6	-	38.2	39.6	43.4	-	35.4	36.7	40.2	-	
1530		S/T	0.70	0.59	0.41	-	0.73	0.61	0.42	-	0.75	0.62	0.43	-	0.77	0.64	0.45	-	0.80	0.67	0.46	-	0.81	0.67	0.47	-	
		ΔT	18	16	12	-	19	16	12	-	19	16	12	-	19	16	12	-	18	16	12	-	17	15	11	-	
		kW	2.87	2.94	3.03	3.13	3.10	3.17	3.27	3.38	3.30	3.37	3.48	3.60	3.47	3.55	3.67	3.80	3.62	3.70	3.83	3.96	3.75	3.84	3.97	4.10	
75		1970	Amps	10.2	10.5	10.8	11.2	11.1	11.4	11.7	12.2	12.1	12.4	12.8	13.3	13.0	13.3	13.7	14.3	13.8	14.2	14.7	15.3	14.7	15.1	15.6	16.2
			Hi PR	228	245	248	254	257	277	280	287	292	315	319	326	333	358	363	371	375	403	409	418	420	451	458	468
			Lo PR	121	124	136	145	124	128	140	149	128	132	145	154	132	136	148	158	134	139	151	161	138	142	155	165
	1750	MBh	47.6	49.0	53.1	56.9	46.5	47.9	51.8	55.6	45.4	46.7	50.6	54.3	44.3	45.6	49.4	53.0	42.1	43.3	46.9	50.3	39.0	40.1	43.4	46.6	
		S/T	0.83	0.74	0.56	0.36	0.86	0.77	0.58	0.37	0.88	0.79	0.60	0.38	0.91	0.81	0.62	0.40	0.94	0.84	0.64	0.41	0.95	0.85	0.64	0.41	
		ΔT	21	19	16	11	21	19	16	11	21	19	16	11	21	20	16	11	21	19	16	11	20	18	15	10	
	1530	kW	2.85	2.91	3.01	3.10	3.07	3.14	3.24	3.35	3.27	3.34	3.45	3.57	3.44	3.52	3.64	3.76	3.59	3.67	3.80	3.93	3.72	3.80	3.93	4.07	
		Amps	10.1	10.4	10.7	11.1	11.0	11.2	11.6	12.1	12.0	12.3	12.7	13.2	12.8	13.2	13.6	14.2	13.7	14.0	14.5	15.1	14.5	14.9	15.4	16.0	
		Hi PR	225	242	246	251	255	274	278	284	290	311	316	323	330	355	360	368	371	399	405	414	416	447	453	463	
	1530	Lo PR	119	123	134	143	123	127	138	147	127	131	143	152	130	135	147	156	133	137	150	160	136	141	154	163	
		MBh	43.9	45.2	49.0	52.6	42.9	44.2	47.8	51.3	41.9	43.1	46.7	50.1	40.9	42.1	45.6	48.9	38.8	40.0	43.3	46.4	36.0	37.0	40.1	43.0	
		S/T	0.80	0.72	0.54	0.35	0.83	0.74	0.56	0.36	0.85	0.76	0.58	0.37	0.88	0.79	0.59	0.38	0.91	0.81	0.62	0.40	0.92	0.82	0.62	0.40	
1530	ΔT	21	19	16	11	21	20	16	11	21	20	16	11	22	20	16	11	21	20	16	11	20	18	15	10		
	kW	2.83	2.89	2.98	3.08	3.05	3.12	3.22	3.32	3.24	3.32	3.43	3.54	3.42	3.49	3.61	3.73	3.56	3.64	3.76	3.89	3.69	3.77	3.90	4.03		
	Amps	10.0	10.3	10.6	11.0	10.9	11.1	11.5	12.0	11.9	12.2	12.6	13.1	12.7	13.0	13.5	14.0	13.6	13.9	14.4	15.0	14.4	14.8	15.3	15.9		
1530	Hi PR	223	240	243	249	252	271	275	281	287	308	313	320	327	351	356	364	367	395	401	409	411	442	449	459		
	Lo PR	118	122	133	142	122	125	137	146	126	130	142	151	129	133	145	155	132	136	148	158	135	139	152	162		
	MBh	43.2	44.8	49.1	52.6	42.2	43.7	47.9	51.3	41.2	42.7	46.8	50.1	40.2	41.7	45.6	48.9	38.2	39.6	43.4	46.4	35.4	36.7	40.2	43.0		

IDB = Entering Indoor Dry Bulb Temperature
 High and low pressures are measured at the liquid and suction service valves.
 Shaded area is ACCA (TVA) conditions
 kW = Total system power
 Amps = outdoor unit amps (comp. +fan)

EXPANDED COOLING DATA — ASXC180601A* / CA*F4961*6** +TXV / MBVC2000** -1 LOW STAGE

IDB	AIRFLOW	OUTDOOR AMBIENT TEMPERATURE												ENTERING INDOOR WET BULB TEMPERATURE											
		65°F				75°F				85°F				95°F				105°F				115°F			
		59	63	67	71	59	63	67	71	59	63	67	71	59	63	67	71	59	63	67	71	59	63	67	71
70	MBh	42.4	43.9	48.1	-	41.4	42.9	47.0	-	40.4	41.9	45.9	-	39.4	40.8	44.7	-	37.4	38.8	42.5	-	34.7	35.9	39.4	-
	S/T	0.73	0.61	0.42	-	0.75	0.63	0.44	-	0.77	0.65	0.45	-	0.80	0.67	0.46	-	0.83	0.69	0.48	-	0.83	0.70	0.48	-
	ΔT	19	16	12	-	19	16	12	-	19	16	12	-	19	16	12	-	19	16	12	-	17	15	11	-
	kW	2.43	2.49	2.57	-	2.64	2.70	2.79	-	2.82	2.89	2.99	-	2.98	3.05	3.16	-	3.12	3.19	3.31	-	3.24	3.31	3.43	-
	Amps	9.4	9.6	10.0	-	10.2	10.4	10.8	-	11.1	11.4	11.8	-	11.9	12.2	12.6	-	14.0	14.3	14.8	-	14.8	15.1	15.7	-
	Hi PR	226	243	247	-	248	267	271	-	291	313	317	-	331	356	361	-	372	400	406	-	430	463	469	-
	Lo PR	118	122	133	-	121	125	137	-	125	129	141	-	129	133	145	-	131	136	148	-	135	139	152	-
	MBh	41.1	42.6	46.7	-	40.2	41.6	45.6	-	39.2	40.6	44.5	-	38.3	39.6	43.4	-	36.3	37.7	41.3	-	33.7	34.9	38.2	-
	S/T	0.69	0.58	0.40	-	0.72	0.60	0.42	-	0.74	0.62	0.43	-	0.76	0.64	0.44	-	0.79	0.66	0.46	-	0.80	0.66	0.46	-
	ΔT	19	17	13	-	20	17	13	-	20	17	13	-	20	17	13	-	20	17	13	-	18	16	12	-
	kW	2.41	2.47	2.55	-	2.61	2.68	2.77	-	2.80	2.86	2.96	-	2.95	3.03	3.13	-	3.09	3.16	3.28	-	3.21	3.28	3.40	-
	Amps	9.3	9.5	9.9	-	10.1	10.3	10.7	-	11.0	11.3	11.7	-	11.8	12.1	12.5	-	13.8	14.2	14.7	-	14.6	15.0	15.5	-
Hi PR	224	241	244	-	246	264	268	-	288	309	314	-	328	352	357	-	369	397	402	-	426	458	465	-	
Lo PR	117	120	131	-	120	124	135	-	124	128	140	-	128	132	144	-	130	134	146	-	133	137	150	-	
MBh	38.0	39.3	43.1	-	37.1	38.4	42.1	-	36.2	37.5	41.1	-	35.3	36.6	40.1	-	33.5	34.8	38.1	-	31.1	32.2	35.3	-	
S/T	0.67	0.56	0.39	-	0.69	0.58	0.40	-	0.71	0.59	0.41	-	0.73	0.61	0.42	-	0.76	0.64	0.44	-	0.77	0.64	0.44	-	
ΔT	20	17	13	-	20	17	13	-	20	17	13	-	20	17	13	-	20	17	13	-	19	16	12	-	
kW	2.39	2.44	2.53	-	2.59	2.65	2.75	-	2.77	2.84	2.94	-	2.93	3.00	3.10	-	3.06	3.14	3.25	-	3.18	3.25	3.37	-	
Amps	9.2	9.4	9.8	-	10.0	10.2	10.6	-	10.9	11.2	11.6	-	11.7	12.0	12.4	-	13.7	14.0	14.5	-	14.5	14.8	15.4	-	
Hi PR	222	238	242	-	243	262	265	-	285	306	311	-	325	349	354	-	365	393	398	-	422	454	460	-	
Lo PR	116	119	130	-	119	123	134	-	123	127	138	-	126	130	142	-	129	133	145	-	132	136	149	-	
75	MBh	43.1	44.3	48.0	51.5	42.1	43.3	46.9	50.3	41.1	42.3	45.8	49.1	40.1	41.3	44.7	47.9	38.1	39.2	42.4	45.5	35.3	36.3	39.3	42.2
	S/T	0.83	0.74	0.56	0.36	0.86	0.77	0.58	0.37	0.88	0.79	0.59	0.38	0.91	0.81	0.61	0.39	0.94	0.84	0.64	0.41	0.95	0.85	0.64	0.41
	ΔT	22	20	16	11	22	20	16	11	22	20	16	11	22	20	17	11	22	20	16	11	22	20	15	11
	kW	2.43	2.49	2.57	2.67	2.64	2.70	2.79	2.89	2.82	2.89	2.99	3.10	2.98	3.05	3.16	3.28	3.12	3.19	3.31	3.43	3.24	3.31	3.43	3.56
	Amps	9.4	9.6	10.0	10.3	10.2	10.4	10.8	11.2	11.1	11.4	11.8	12.2	11.9	12.2	12.6	13.1	14.0	14.3	14.8	15.4	14.8	15.1	15.7	16.3
	Hi PR	226	243	247	252	248	267	271	277	291	313	317	324	331	356	361	369	372	400	406	415	430	463	469	480
	Lo PR	118	122	133	141	121	125	137	146	125	129	141	150	129	133	145	154	131	136	148	158	135	139	152	161
	MBh	41.8	43.1	46.6	50.0	40.8	42.1	45.5	48.9	39.9	41.1	44.4	47.7	38.9	40.1	43.4	46.5	37.0	38.0	41.2	44.2	34.2	35.2	38.1	40.9
	S/T	0.79	0.70	0.53	0.34	0.82	0.73	0.55	0.36	0.84	0.75	0.57	0.36	0.86	0.77	0.59	0.38	0.90	0.80	0.61	0.39	0.90	0.81	0.61	0.39
	ΔT	22	21	17	12	23	21	17	12	23	21	17	12	23	21	17	12	23	21	17	12	21	19	16	11
	kW	2.41	2.47	2.55	2.64	2.61	2.68	2.77	2.87	2.80	2.86	2.96	3.07	2.95	3.03	3.13	3.25	3.09	3.16	3.28	3.40	3.21	3.28	3.40	3.53
	Amps	9.3	9.5	9.9	10.2	10.1	10.3	10.7	11.1	11.0	11.3	11.7	12.1	11.8	12.1	12.5	13.0	13.8	14.2	14.7	15.3	14.6	15.0	15.5	16.1
Hi PR	224	241	244	250	246	264	268	274	288	309	314	321	328	352	357	365	369	397	402	411	426	458	465	475	
Lo PR	117	120	131	140	120	124	135	144	124	128	140	149	128	132	144	153	130	134	146	156	133	137	150	160	
MBh	38.6	39.7	43.0	46.2	37.7	38.8	42.0	45.1	36.8	37.9	41.0	44.0	35.9	37.0	40.0	42.9	34.1	35.1	38.0	40.8	31.6	32.5	35.2	37.8	
S/T	0.76	0.68	0.51	0.33	0.79	0.70	0.53	0.34	0.81	0.72	0.55	0.35	0.83	0.75	0.56	0.36	0.87	0.77	0.59	0.38	0.87	0.78	0.59	0.38	
ΔT	23	21	17	12	23	21	17	12	23	21	17	12	23	21	18	12	23	21	17	12	21	20	16	11	
kW	2.39	2.44	2.53	2.62	2.59	2.65	2.75	2.84	2.77	2.84	2.94	3.04	2.93	3.00	3.10	3.22	3.06	3.14	3.25	3.37	3.18	3.25	3.37	3.49	
Amps	9.2	9.4	9.8	10.1	10.0	10.2	10.6	11.0	10.9	11.2	11.6	12.0	11.7	12.0	12.4	12.9	13.7	14.0	14.5	15.1	14.5	14.8	15.4	16.0	
Hi PR	222	238	242	247	243	262	265	271	285	306	311	318	325	349	354	362	365	393	398	407	422	454	460	470	
Lo PR	116	119	130	139	119	123	134	143	123	127	138	147	126	130	142	151	129	133	145	154	132	136	149	158	

IDB = Entering Indoor Dry Bulb Temperature
 High and low pressures are measured at the liquid and suction service valves.
 Shaded area is ACCA (TVA) conditions
 kW = Total system power
 Amps = outdoor unit amps (comp. + fan)

EXPANDED COOLING DATA — ASXC180601A* / CA*F4961*6** +TXV / MBVC2000** -1 HIGH STAGE (CONT.)

Table with columns: IDB, AIRFLOW, 65°F, 75°F, 85°F, 95°F, 105°F, 115°F. Rows include data for 2250, 2000, and 1750 models across various air flow metrics (MBh, S/T, ΔT, kW, Amps, Hi PR, Lo PR) for different outdoor ambient temperatures.

Table with columns: IDB, AIRFLOW, 65°F, 75°F, 85°F, 95°F, 105°F, 115°F. Rows include data for 2250, 2000, and 1750 models across various air flow metrics (MBh, S/T, ΔT, kW, Amps, Hi PR, Lo PR) for different outdoor ambient temperatures.

IDB = Entering Indoor Dry Bulb Temperature
High and low pressures are measured at the liquid and suction service valves.

Shaded area is AHRI (TVA) conditions

kW = Total system power
Amps = outdoor unit amps (comp. +fan)

OUTDOOR UNIT	INDOOR UNITS		COOLING RATINGS				CFM	AHRI #
	COILS/AIR HANDLERS	FURNACES	TOTAL ¹	SENS. ¹	SEER ²	EER ³		
ASXC18 0361A*	AVPTC42D14A*		35,000	26,600	17.00	13.00	1,280	5924393
	AVPTC48C14A*		34,000	25,800	16.00	12.50	1,100	7080497
	AVPTC48D14A*		36,000	27,400	17.50	13.00	1,200	5924394
	CA*F3743*6D*+EEP+TXV		35,000	26,600	15.00	12.50	1,250	5357237
	CA*F3743*6D*+MBVC1600**-1A*+TXV		35,000	26,600	18.00	13.00	1,200	4415258
	CA*F3743*6D*+MBVC2000**-1A*+TXV		35,000	26,600	18.00	13.00	1,200	4415259
	CA*F3743*6D*+TXV	A*VM960604CXB*	35,000	26,600	17.50	13.00	1,275	5624075
	CA*F3743*6D*+TXV	ADVC81005C*B*	35,000	26,600	17.00	13.00	1,230	5188440
	CA*F3743*6D*+TXV	A*VC961005CNA*	34,400	26,200	17.00	13.00	1,175	7364108
	CA*F3743*6D*+TXV	A*VC951155DXB*	35,000	26,600	18.00	13.00	1,225	5624063
	CA*F3743*6D*+TXV	G*VC950915DXB*	35,000	26,600	18.00	13.25	1,250	6498288
	CA*F3743*6D*+TXV	G*VC81005C*B*	35,000	26,600	17.00	13.00	1,210	5188335
	CA*F3743*6D*+TXV	A*VM961155DXB*	35,000	26,600	18.00	13.00	1,225	5624102
	CA*F3743*6D*+TXV	G*VC961005CNA*	34,400	26,200	17.00	13.00	1,175	7364009
	CA*F3743*6D*+TXV	G*VM961005DXB*	35,000	26,600	18.00	13.00	1,225	5624096
	CA*F3743*6D*+TXV	A*VM961005DXB*	35,000	26,600	18.00	13.00	1,225	5624095
	CA*F3743*6D*+TXV	A*VM970603BNA*	33,600	25,600	16.00	13.00	1,075	7364139
	CA*F3743*6D*+TXV	G*VC951155DXB*	35,000	26,600	18.00	13.00	1,225	5624064
	CA*F3743*6D*+TXV	G*VC960403BNA*	33,600	25,600	16.00	13.00	1,075	7363988
	CA*F3743*6D*+TXV	A*VM971205DNA*	34,600	26,200	17.00	13.00	1,150	7364162
	CA*F3743*6D*+TXV	G*EC960603BNA*	34,000	25,800	16.00	13.00	1,150	7368468
	CA*F3743*6D*+TXV	G*VM970803BNA*	33,600	25,600	16.00	13.00	1,100	7364045
	CA*F3743*6D*+TXV	A*VM960805CXB*	35,000	26,600	18.00	13.25	1,200	5624082
	CA*F3743*6D*+TXV	A*VM971005CNA*	34,400	26,200	17.00	13.00	1,175	7364156
	CA*F3743*6D*+TXV	G*VC961205DNA*	34,600	26,200	17.00	13.00	1,150	7364015
	CA*F3743*6D*+TXV	A*VC960603BNA*	33,600	25,600	16.00	13.00	1,075	7364092
	CA*F3743*6D*+TXV	A*VC81005C*B*	35,000	26,600	17.00	13.00	1,210	5188332
	CA*F3743*6D*+TXV	G*VC960603BNA*	33,600	25,600	16.00	13.00	1,075	7363993
	CA*F3743*6D*+TXV	G*VM961155DXB*	35,000	26,600	18.00	13.00	1,225	5624103
	CA*F3743*6D*+TXV	G*VM970603BNA*	33,600	25,600	16.00	13.00	1,075	7364040
	CA*F3743*6D*+TXV	G*VC91155DXA*	35,000	26,600	18.00	13.00	1,225	6498287
	CA*F3743*6D*+TXV	G*VM960805DXB*	35,000	26,600	18.00	13.25	1,250	6498289
	CA*F3743*6D*+TXV	G*VM971005CNA*	34,400	26,200	17.00	13.00	1,175	7364056
	CA*F3743*6D*+TXV	A*VM970803BNA*	33,600	25,600	16.00	13.00	1,100	7364145
	CA*F3743*6D*+TXV	A*VC950905DXB*	35,000	26,600	18.00	13.25	1,250	5624052
	CA*F3743*6D*+TXV	G*EC960803BNA*	34,000	25,800	16.00	12.50	1,150	7368472
	CA*F3743*6D*+TXV	G*VM971205DNA*	34,600	26,200	17.00	13.00	1,150	7364062
	CA*F3743*6D*+TXV	A*VC80604B*B*	35,000	26,600	17.00	13.00	1,220	5188330
	CA*F3743*6D*+TXV	A*VC960403BNA*	33,600	25,600	16.00	13.00	1,075	7364087
	CA*F3743*6D*+TXV	G*VC950714CXB*	35,000	26,600	17.50	13.00	1,250	5624041
	CA*F3743*6D*+TXV	A*VC950714CXB*	35,000	26,600	17.50	13.00	1,275	5624040
	CA*F3743*6D*+TXV	A*VM970804CNA*	34,400	26,200	17.00	13.00	1,190	7364150
	CA*F3743*6D*+TXV	G*VC950905DXB*	35,000	26,600	18.00	13.25	1,200	5624053
	CA*F3743*6D*+TXV	A*VC950704CXB*	35,000	26,600	17.50	13.00	1,275	5624032
	CA*F3743*6D*+TXV	A*EC960803BNA*	34,000	25,800	16.00	12.50	1,150	7368493
	CA*F3743*6D*+TXV	G*EC961004CNA*	34,000	25,800	17.00	13.00	1,150	7368476
	CA*F3743*6D*+TXV	G*VC960803BNA*	33,600	25,600	16.00	13.00	1,100	7363998
	CA*F3743*6D*+TXV	G*VM970804CNA*	34,400	26,200	17.00	13.00	1,190	7364050
	CA*F3743*6D*+TXV	G*VM960604CXB*	35,000	26,600	17.50	13.00	1,250	5624076
	CA*F3743*6D*+TXV	ADVC80805C*B*	35,000	26,600	17.00	13.00	1,190	5188384
CA*F3743*6D*+TXV	A*VC950915DXB*	35,000	26,600	18.00	13.25	1,250	6498286	
CA*F3743*6D*+TXV	A*VC950905CXB*	35,000	26,600	18.00	13.25	1,200	5624043	
CA*F3743*6D*+TXV	G*VC950704CXB*	35,000	26,600	17.50	13.00	1,250	5624033	
CA*F3743*6D*+TXV	A*VC961205DNA*	34,600	26,200	17.00	13.00	1,150	7364114	
CA*F3743*6D*+TXV	G*VC80805C*B*	35,000	26,600	17.00	13.00	1,190	5188334	

See Notes on Page 25.

OUTDOOR UNIT	INDOOR UNITS		COOLING RATINGS				CFM	AHRI #
	COILS/AIR HANDLERS	FURNACES	TOTAL ¹	SENS. ¹	SEER ²	EER ³		
ASXC18 0361A* (cont.)	CA*F3743*6D*+TXV	A*EC960603BNA*	34,000	25,800	16.00	13.00	1,150	7368489
	CA*F3743*6D*+TXV	G*VC960804CNA*	34,400	26,200	17.00	13.00	1,190	7364003
	CA*F3743*6D*+TXV	G*VC950905CXB*	35,000	26,600	18.00	13.25	1,200	5624044
	CA*F3743*6D*+TXV	A*VC960803BNA*	33,600	25,600	16.00	13.00	1,100	7364097
	CA*F3743*6D*+TXV	G*VM960805CXB*	35,000	26,600	18.00	13.25	1,200	5624083
	CA*F3743*6D*+TXV	A*EC961004CNA*	34,000	25,800	17.00	13.00	1,150	7368497
	CA*F3743*6D*+TXV	A*VC960804CNA*	34,400	26,200	17.00	13.00	1,190	7364102
	CA*F3743*6D*+TXV	A*VC80805C*B*	35,000	26,600	17.00	13.00	1,190	5188331
	CA*F3743*6D*+TXV	G*VC80604B*B*	35,000	26,600	17.00	13.00	1,220	5188333
	CA*F4860*6D*+MBVC2000**-1A*+TXV		36,000	27,400	19.00	13.50	1,250	3881445
	CA*F4860*6D*+TXV	G*VC950915DXB*	35,000	26,600	17.50	13.00	1,225	5624062
	CA*F4860*6D*+TXV	G*VM960805CXB*	35,000	26,600	17.50	13.00	1,225	6498292
	CA*F4860*6D*+TXV	A*VM960805CXB*	35,000	26,600	17.50	13.00	1,225	5624084
	CA*F4860*6D*+TXV	A*VC950915DXB*	35,000	26,600	17.50	13.00	1,225	5624061
	CA*F4860*6D*+TXV	G*VC950905DXB*	35,000	26,600	17.50	13.00	1,225	6498291
	CA*F4860*6D*+TXV	A*VC950905DXB*	35,000	26,600	17.50	13.00	1,225	5624054
	CA*F4860*6D*+TXV	G*VC950905CXB*	35,000	26,600	17.50	13.00	1,225	6498290
	CA*F4860*6D*+TXV	A*VC950905CXB*	35,000	26,600	17.50	13.00	1,225	5624045
	CA*F4860*6D*+TXV	G*VM960805DXB*	35,000	26,600	17.50	13.00	1,225	6498293
	CA*F4860*6D*+TXV	A*VM960805DXB*	35,000	26,600	17.50	13.00	1,225	5624090
	CA*F4961*6D*+EEP+TXV		36,000	27,400	15.00	12.50	1,250	5357238
	CA*F4961*6D*+MBVC1600**-1A*+TXV		36,000	27,400	17.50	13.00	1,200	6498294
	CA*F4961*6D*+MBVC2000**-1A*+TXV		36,000	27,400	19.00	13.50	1,250	4431458
	CA*F4961*6D*+TXV	A*VC961005CNA*	34,600	26,200	17.50	13.00	1,175	7364109
	CA*F4961*6D*+TXV	G*VM961005DXB*	36,000	27,400	18.30	13.25	1,225	6498307
	CA*F4961*6D*+TXV	G*VC950905CXB*	35,000	26,600	18.00	13.25	1,225	6498299
	CA*F4961*6D*+TXV	A*VC950905DXB*	35,000	26,600	18.00	13.50	1,225	5624055
	CA*F4961*6D*+TXV	G*VC950453BXB*	35,000	26,600	17.00	13.00	1,200	6498296
	CA*F4961*6D*+TXV	G*VC960804CNA*	34,600	26,200	17.50	13.00	1,190	7364004
	CA*F4961*6D*+TXV	A*VC960804CNA*	34,600	26,200	17.50	13.00	1,190	7364103
	CA*F4961*6D*+TXV	A*VM960603BXB*	35,000	26,600	17.00	13.00	1,200	5624071
	CA*F4961*6D*+TXV	A*VC80604B*B*	36,000	27,400	17.50	13.20	1,220	5188336
	CA*F4961*6D*+TXV	A*VC961205DNA*	34,800	26,400	17.50	13.00	1,150	7364115
	CA*F4961*6D*+TXV	G*VC960803BNA*	34,000	25,800	16.50	13.00	1,100	7363999
	CA*F4961*6D*+TXV	G*VM971205DNA*	34,800	26,400	17.50	13.00	1,150	7364063
	CA*F4961*6D*+TXV	G*VC950714CXB*	35,000	26,600	17.50	13.30	1,225	6498298
	CA*F4961*6D*+TXV	G*VC81005C*B*	36,000	27,400	18.00	13.70	1,210	5188341
	CA*F4961*6D*+TXV	A*VC950905CXB*	35,000	26,600	18.00	13.25	1,225	5624046
	CA*F4961*6D*+TXV	G*VC960403BNA*	34,000	25,800	16.50	13.00	1,075	7363989
	CA*F4961*6D*+TXV	G*VM960805DXB*	35,000	26,600	18.00	13.50	1,225	6498306
	CA*F4961*6D*+TXV	G*VC951155DXB*	36,000	27,400	18.30	13.25	1,225	6498302
	CA*F4961*6D*+TXV	G*VM960604CXB*	35,000	26,600	17.50	13.30	1,225	6498304
	CA*F4961*6D*+TXV	A*VC950915DXB*	35,000	26,600	18.00	13.50	1,225	6498295
	CA*F4961*6D*+TXV	A*VM961155DXB*	36,000	27,400	18.30	13.25	1,225	5624104
	CA*F4961*6D*+TXV	A*EC960803BNA*	35,000	26,600	17.00	12.50	1,150	7368494
	CA*F4961*6D*+TXV	A*VC81005C*B*	36,000	27,400	18.00	13.70	1,210	5188338
	CA*F4961*6D*+TXV	A*VC951155DXB*	36,000	27,400	18.30	13.25	1,225	5624065
	CA*F4961*6D*+TXV	G*EC960603BNA*	35,000	26,600	17.00	13.00	1,150	7368469
CA*F4961*6D*+TXV	A*VM970804CNA*	34,600	26,200	17.50	13.00	1,190	7364151	
CA*F4961*6D*+TXV	A*VC80805C*B*	36,000	27,400	18.00	13.70	1,190	5188337	
CA*F4961*6D*+TXV	G*EC960803BNA*	35,000	26,600	17.00	12.50	1,150	7368473	
CA*F4961*6D*+TXV	A*VM970803BNA*	34,000	25,800	16.50	13.00	1,100	7364146	
CA*F4961*6D*+TXV	G*VM961155DXB*	36,000	27,400	18.30	13.25	1,225	6498308	
CA*F4961*6D*+TXV	G*VM970804CNA*	34,600	26,200	17.50	13.00	1,190	7364051	
CA*F4961*6D*+TXV	A*VM960805CXB*	35,000	26,600	18.00	13.25	1,225	5624085	

See Notes on Page 25.

OUTDOOR UNIT	INDOOR UNITS		COOLING RATINGS				CFM	AHRI #
	COILS/AIR HANDLERS	FURNACES	TOTAL ¹	SENS. ¹	SEER ²	EER ³		
ASXC18 0361A* (cont.)	CA*F4961*6D*+TXV	A*VM960604CXB*	35,000	26,600	17.50	13.30	1,225	5624077
	CA*F4961*6D*+TXV	G*VM970803BNA*	34,000	25,800	16.50	13.00	1,100	7364046
	CA*F4961*6D*+TXV	A*VC950704CXB*	35,000	26,600	17.50	13.30	1,225	5624034
	CA*F4961*6D*+TXV	G*VM960603BXB*	35,000	26,600	17.00	13.00	1,200	6498303
	CA*F4961*6D*+TXV	A*VM971205DNA*	34,800	26,400	17.50	13.00	1,150	7364163
	CA*F4961*6D*+TXV	G*VM971005CNA*	34,600	26,200	17.50	13.00	1,175	7364057
	CA*F4961*6D*+TXV	A*VM971005CNA*	34,600	26,200	17.50	13.00	1,175	7364157
	CA*F4961*6D*+TXV	A*VM961005DXB*	36,000	27,400	18.30	13.25	1,225	5624097
	CA*F4961*6D*+TXV	A*VC950453BXB*	35,000	26,600	17.00	13.00	1,200	5624027
	CA*F4961*6D*+TXV	G*VM960805CXB*	35,000	26,600	18.00	13.25	1,225	6498305
	CA*F4961*6D*+TXV	A*EC960603BNA*	35,000	26,600	17.00	13.00	1,150	7368490
	CA*F4961*6D*+TXV	A*VM970603BNA*	34,000	25,800	16.50	13.00	1,075	7364140
	CA*F4961*6D*+TXV	G*VC950905DXB*	35,000	26,600	18.00	13.50	1,225	6498300
	CA*F4961*6D*+TXV	A*VC960803BNA*	34,000	25,800	16.50	13.00	1,100	7364098
	CA*F4961*6D*+TXV	ADVC81005C*B*	36,000	27,400	18.00	13.70	1,230	5188422
	CA*F4961*6D*+TXV	G*VC961205DNA*	34,800	26,400	17.50	13.00	1,150	7364016
	CA*F4961*6D*+TXV	G*VC961005CNA*	34,600	26,200	17.50	13.00	1,175	7364010
	CA*F4961*6D*+TXV	G*VC80805C*B*	36,000	27,400	18.00	13.70	1,190	5188340
	CA*F4961*6D*+TXV	G*VC950915DXB*	35,000	26,600	18.00	13.50	1,225	6498301
	CA*F4961*6D*+TXV	G*VC80604B*B*	36,000	27,400	17.50	13.20	1,220	5188339
	CA*F4961*6D*+TXV	A*VC960403BNA*	34,000	25,800	16.50	13.00	1,075	7364088
	CA*F4961*6D*+TXV	ADVC80805C*B*	36,000	27,400	18.00	13.70	1,190	5188385
	CA*F4961*6D*+TXV	G*VM970603BNA*	34,000	25,800	16.50	13.00	1,075	7364041
	CA*F4961*6D*+TXV	A*EC961004CNA*	35,000	26,600	17.50	13.00	1,150	7368498
	CA*F4961*6D*+TXV	G*VC950704CXB*	35,000	26,600	17.50	13.30	1,225	6498297
	CA*F4961*6D*+TXV	A*VC960603BNA*	34,000	25,800	16.50	13.00	1,075	7364093
	CA*F4961*6D*+TXV	A*VC950714CXB*	35,000	26,600	17.50	13.30	1,225	5624042
	CA*F4961*6D*+TXV	G*EC961004CNA*	35,000	26,600	17.50	13.00	1,150	7368477
	CA*F4961*6D*+TXV	G*VC960603BNA*	34,000	25,800	16.50	13.00	1,075	7363994
	CAPT4961*4A*	A*VM970603BNA*	34,000	25,800	16.50	13.00	1,075	7364141
	CAPT4961*4A*	A*VC960804CNA*	34,600	26,200	17.00	13.00	1,190	7364104
	CAPT4961*4A*	G*VC960603BNA*	34,000	25,800	16.50	13.00	1,075	7363995
	CAPT4961*4A*	A*VC960403BNA*	34,000	25,800	16.50	13.00	1,075	7364089
	CAPT4961*4A*	G*EC961004CNA*	35,000	26,600	17.00	13.00	1,150	7368478
	CAPT4961*4A*	G*VM970804CNA*	34,600	26,200	17.00	13.00	1,190	7364052
	CAPT4961*4A*	A*VM970804CNA*	34,600	26,200	17.00	13.00	1,190	7364152
	CAPT4961*4A*	G*VM970603BNA*	34,000	25,800	16.50	13.00	1,075	7364042
	CAPT4961*4A*	A*VC960803BNA*	34,000	25,800	16.50	13.00	1,100	7364099
	CAPT4961*4A*	A*VM970803BNA*	34,000	25,800	16.50	13.00	1,100	7364147
	CAPT4961*4A*	G*VM971005CNA*	34,600	26,200	17.00	13.00	1,175	7364058
	CAPT4961*4A*	G*VC961005CNA*	34,600	26,200	17.00	13.00	1,175	7364011
	CAPT4961*4A*	A*VM971005CNA*	34,600	26,200	17.00	13.00	1,175	7364158
CAPT4961*4A*	A*VM971205DNA*	34,800	26,400	17.00	13.00	1,150	7364164	
CAPT4961*4A*	G*VC961205DNA*	34,800	26,400	17.00	13.00	1,150	7364017	
CAPT4961*4A*	G*EC960603BNA*	35,000	26,600	17.00	13.00	1,150	7368470	
CAPT4961*4A*	A*VC960603BNA*	34,000	25,800	16.50	13.00	1,075	7364094	
CAPT4961*4A*	G*EC960803BNA*	35,000	26,600	17.00	12.50	1,150	7368474	
CAPT4961*4A*	A*EC960803BNA*	35,000	26,600	17.00	12.50	1,150	7368495	
CAPT4961*4A*	G*VC960403BNA*	34,000	25,800	16.50	13.00	1,075	7363990	
CAPT4961*4A*	G*VC960803BNA*	34,000	25,800	16.50	13.00	1,100	7364000	
CAPT4961*4A*	A*VC961005CNA*	34,600	26,200	17.00	13.00	1,175	7364110	
CAPT4961*4A*	A*EC960603BNA*	35,000	26,600	17.00	13.00	1,150	7368491	
CAPT4961*4A*	G*VM971205DNA*	34,800	26,400	17.00	13.00	1,150	7364064	
CAPT4961*4A*	A*VC961205DNA*	34,800	26,400	17.00	13.00	1,150	7364116	
CAPT4961*4A*	G*VM970803BNA*	34,000	25,800	16.50	13.00	1,100	7364047	

See Notes on Page 25.

OUTDOOR UNIT	INDOOR UNITS		COOLING RATINGS				CFM	AHRI #
	COILS/AIR HANDLERS	FURNACES	TOTAL ¹	SENS. ¹	SEER ²	EER ³		
ASXC18 0361A* (cont.)	CAPT4961*4A*	G*VC960804CNA*	34,600	26,200	17.00	13.00	1,190	7364005
	CAPT4961*4A*	A*EC961004CNA*	35,000	26,600	17.00	13.00	1,150	7368499
	CHPF3642C6C*+MBVC1600**-1A*+TXV		35,000	26,600	18.00	13.00	1,250	3610626
	CHPF3642C6C*+TXV	A*VM960604CXB*	35,000	26,600	17.50	13.00	1,275	5624078
	CHPF3642C6C*+TXV	G*VC950704CXB*	35,000	26,600	17.50	13.00	1,275	6498309
	CHPF3642C6C*+TXV	A*VC950704CXB*	35,000	26,600	17.50	13.00	1,275	5624035
	CHPF3642C6C*+TXV	G*VM960604CXB*	35,000	26,600	17.50	13.00	1,275	6498310
	CHPF3642D6C*+MBVC2000**-1A*+TXV		35,000	26,600	18.00	13.00	1,250	3610627
	CHPF3642D6C*+TXV	A*VC950905DXB*	35,000	26,600	18.00	13.25	1,250	5624056
	CHPF3642D6C*+TXV	A*VM961005DXB*	35,000	26,600	18.00	13.00	1,225	5624098
	CHPF3642D6C*+TXV	G*VC950905DXB*	35,000	26,600	18.00	13.25	1,250	6498312
	CHPF3642D6C*+TXV	G*VM961155DXB*	35,000	26,600	18.00	13.00	1,225	6498317
	CHPF3642D6C*+TXV	A*VC950905CXB*	35,000	26,600	18.00	13.25	1,250	5624047
	CHPF3642D6C*+TXV	G*VC951155DXB*	35,000	26,600	18.00	13.00	1,225	6498313
	CHPF3642D6C*+TXV	A*VM960805DXB*	35,000	26,600	18.00	13.25	1,250	5624091
	CHPF3642D6C*+TXV	A*VM960805CXB*	35,000	26,600	18.00	13.25	1,250	5624086
	CHPF3642D6C*+TXV	G*VM961005DXB*	35,000	26,600	18.00	13.00	1,225	6498316
	CHPF3642D6C*+TXV	G*VM960805CXB*	35,000	26,600	18.00	13.25	1,250	6498314
	CHPF3642D6C*+TXV	G*VC950905CXB*	35,000	26,600	18.00	13.25	1,250	6498311
	CHPF3642D6C*+TXV	G*VM960805DXB*	35,000	26,600	18.00	13.25	1,250	6498315
	CHPF3642D6C*+TXV	A*VC951155DXB*	35,000	26,600	18.00	13.00	1,225	5624066
	CHPF3642D6C*+TXV	A*VM961155DXB*	35,000	26,600	18.00	13.00	1,225	5624105
	CHPF3743C6B*+MBVC1600**-1A*+TXV		35,000	26,600	18.00	13.00	1,250	3610628
	CHPF3743C6B*+TXV	A*VC960603BNA*	34,000	25,800	16.50	13.00	1,075	7364095
	CHPF3743C6B*+TXV	A*VM961155DXB*	35,000	26,600	18.00	13.00	1,225	5624106
	CHPF3743C6B*+TXV	G*VM971005CNA*	34,600	26,200	17.00	13.00	1,175	7364059
	CHPF3743C6B*+TXV	A*VC81005C*B*	35,000	26,600	17.00	13.00	1,210	5188344
	CHPF3743C6B*+TXV	A*VM970803BNA*	34,000	25,800	16.50	13.00	1,100	7364148
	CHPF3743C6B*+TXV	G*VM960805CXB*	35,000	26,600	18.00	13.25	1,250	6498323
	CHPF3743C6B*+TXV	A*VM970603BNA*	34,000	25,800	16.50	13.00	1,075	7364142
	CHPF3743C6B*+TXV	A*VC950905CXB*	35,000	26,600	18.00	13.25	1,250	5624048
	CHPF3743C6B*+TXV	A*VC80805C*B*	35,000	26,600	17.00	13.00	1,190	5188343
	CHPF3743C6B*+TXV	A*VC961005CNA*	34,600	26,200	17.00	13.00	1,175	7364111
	CHPF3743C6B*+TXV	G*VC950905CXB*	35,000	26,600	18.00	13.25	1,250	6498320
	CHPF3743C6B*+TXV	G*VC80805C*B*	35,000	26,600	17.00	13.00	1,190	5188346
	CHPF3743C6B*+TXV	A*VM960805CXB*	35,000	26,600	18.00	13.25	1,250	5624087
	CHPF3743C6B*+TXV	G*VM970603BNA*	34,000	25,800	16.50	13.00	1,075	7364043
	CHPF3743C6B*+TXV	A*VC950704CXB*	35,000	26,600	17.50	13.00	1,275	5624036
	CHPF3743C6B*+TXV	G*VC960403BNA*	34,000	25,800	16.50	13.00	1,075	7363991
	CHPF3743C6B*+TXV	G*VM960603BXB*	34,600	26,200	17.00	13.00	1,200	6498321
	CHPF3743C6B*+TXV	G*VC950453BXB*	34,600	26,200	17.00	13.00	1,200	6498318
	CHPF3743C6B*+TXV	A*VC960804CNA*	34,600	26,200	17.00	13.00	1,190	7364105
	CHPF3743C6B*+TXV	A*VC960403BNA*	34,000	25,800	16.50	13.00	1,075	7364090
	CHPF3743C6B*+TXV	G*VM961155DXB*	35,000	26,600	18.00	13.00	1,225	6498326
	CHPF3743C6B*+TXV	G*VC960804CNA*	34,600	26,200	17.00	13.00	1,190	7364006
	CHPF3743C6B*+TXV	A*VM960805DXB*	35,000	26,600	18.00	13.25	1,250	5624092
	CHPF3743C6B*+TXV	G*EC960603BNA*	34,000	25,800	16.50	13.00	1,150	7368471
	CHPF3743C6B*+TXV	A*VM961005DXB*	35,000	26,600	18.00	13.00	1,225	5624099
	CHPF3743C6B*+TXV	A*VC80604B*B*	35,000	26,600	17.00	13.00	1,220	5188342
	CHPF3743C6B*+TXV	A*VM960603BXB*	34,600	26,200	17.00	13.00	1,200	5624072
CHPF3743C6B*+TXV	G*VC961005CNA*	34,600	26,200	17.00	13.00	1,175	7364012	
CHPF3743C6B*+TXV	A*VC950453BXB*	34,600	26,200	17.00	13.00	1,200	5624028	
CHPF3743C6B*+TXV	A*EC960803BNA*	34,000	25,800	16.50	12.50	1,150	7368496	
CHPF3743C6B*+TXV	G*VC80604B*B*	35,000	26,600	17.00	13.00	1,220	5188345	
CHPF3743C6B*+TXV	G*VM960604CXB*	35,000	26,600	17.50	13.00	1,275	6498322	

See Notes on Page 25.

OUTDOOR UNIT	INDOOR UNITS		COOLING RATINGS				CFM	AHRI #
	COILS/AIR HANDLERS	FURNACES	TOTAL ¹	SENS. ¹	SEER ²	EER ³		
ASXC18 0361A* (cont.)	CHPF3743C6B*+TXV	G*VM961005DXB*	35,000	26,600	18.00	13.00	1,225	6498325
	CHPF3743C6B*+TXV	A*VM960604CXB*	35,000	26,600	17.50	13.00	1,275	5624079
	CHPF3743C6B*+TXV	G*VM970803BNA*	34,000	25,800	16.50	13.00	1,100	7364048
	CHPF3743C6B*+TXV	A*EC960603BNA*	34,000	25,800	16.50	13.00	1,150	7368492
	CHPF3743C6B*+TXV	G*VC960603BNA*	34,000	25,800	16.50	13.00	1,075	7363996
	CHPF3743C6B*+TXV	G*VC81005C*B*	35,000	26,600	17.00	13.00	1,210	5188347
	CHPF3743C6B*+TXV	A*VM971005CNA*	34,600	26,200	17.00	13.00	1,175	7364159
	CHPF3743C6B*+TXV	G*VM960805DXB*	35,000	26,600	18.00	13.25	1,250	6498324
	CHPF3743C6B*+TXV	G*VC950704CXB*	35,000	26,600	17.50	13.00	1,275	6498319
	CHPF3743C6B*+TXV	A*VM970804CNA*	34,600	26,200	17.00	13.00	1,190	7364153
	CHPF3743C6B*+TXV	G*VM970804CNA*	34,600	26,200	17.00	13.00	1,190	7364053
	CHPF3743C6B*+TXV	A*VC951155DXB*	35,000	26,600	18.00	13.00	1,225	5624067
	CHPF3743C6B*+TXV	G*EC960803BNA*	34,000	25,800	16.50	12.50	1,150	7368475
	CHPF3743C6B*+TXV	G*VC960803BNA*	34,000	25,800	16.50	13.00	1,100	7364001
	CHPF3743C6B*+TXV	A*EC961004CNA*	34,000	25,800	17.00	12.50	1,150	7368500
	CHPF3743C6B*+TXV	A*VC950905DXB*	35,000	26,600	18.00	13.25	1,250	5624057
	CHPF3743C6B*+TXV	A*VC960803BNA*	34,000	25,800	16.50	13.00	1,100	7364100
	CHPF3743C6B*+TXV	G*EC961004CNA*	34,000	25,800	17.00	12.50	1,150	7368479
	CHPF3743D6B*+MBVC2000**-1A*+TXV		35,000	26,600	18.00	13.00	1,250	3610629
	CHPF3743D6B*+TXV	G*VM960805DXB*	35,000	26,600	18.00	13.25	1,250	6498335
	CHPF3743D6B*+TXV	G*VM960805CXB*	35,000	26,600	18.00	13.25	1,250	6498334
	CHPF3743D6B*+TXV	A*VC80604B*B*	35,000	26,600	17.00	13.00	1,220	5188348
	CHPF3743D6B*+TXV	A*VM960604CXB*	34,600	26,200	17.00	13.00	1,225	5624080
	CHPF3743D6B*+TXV	A*VM960805DXB*	35,000	26,600	18.00	13.25	1,250	5624093
	CHPF3743D6B*+TXV	A*VM960603BXB*	34,600	26,200	17.00	13.00	1,200	5624073
	CHPF3743D6B*+TXV	G*VC950704CXB*	34,600	26,200	17.00	13.00	1,225	6498328
	CHPF3743D6B*+TXV	A*VC950453BXB*	34,600	26,200	17.00	13.00	1,200	5624029
	CHPF3743D6B*+TXV	A*VM961005DXB*	35,000	26,600	18.00	13.00	1,225	5624100
	CHPF3743D6B*+TXV	G*VM960604CXB*	34,600	26,200	17.00	13.00	1,225	6498333
	CHPF3743D6B*+TXV	G*VM961155DXB*	35,000	26,600	18.00	13.00	1,225	6498337
	CHPF3743D6B*+TXV	A*VC950905DXB*	35,000	26,600	18.00	13.25	1,250	5624058
	CHPF3743D6B*+TXV	A*VC80805C*B*	35,000	26,600	17.00	13.00	1,190	5188349
	CHPF3743D6B*+TXV	G*VC951155DXB*	35,000	26,600	18.00	13.00	1,225	6498331
	CHPF3743D6B*+TXV	A*VM960805CXB*	35,000	26,600	18.00	13.25	1,250	5624088
	CHPF3743D6B*+TXV	G*VC950905DXB*	35,000	26,600	18.00	13.25	1,250	6498330
	CHPF3743D6B*+TXV	G*VM961005DXB*	35,000	26,600	18.00	13.00	1,225	6498336
	CHPF3743D6B*+TXV	G*VC80604B*B*	35,000	26,600	17.00	13.00	1,220	5188351
	CHPF3743D6B*+TXV	G*VM960603BXB*	34,600	26,200	17.00	13.00	1,200	6498332
	CHPF3743D6B*+TXV	G*VC80805C*B*	35,000	26,600	17.00	13.00	1,190	5188352
	CHPF3743D6B*+TXV	G*VC950453BXB*	34,600	26,200	17.00	13.00	1,200	6498327
	CHPF3743D6B*+TXV	A*VC81005C*B*	35,000	26,600	17.00	13.00	1,210	5188350
	CHPF3743D6B*+TXV	A*VC950905CXB*	35,000	26,600	18.00	13.25	1,250	5624049
	CHPF3743D6B*+TXV	A*VM961155DXB*	35,000	26,600	18.00	13.00	1,225	5624107
	CHPF3743D6B*+TXV	A*VC950704CXB*	34,600	26,200	17.00	13.00	1,225	5624037
	CHPF3743D6B*+TXV	A*VC951155DXB*	35,000	26,600	18.00	13.00	1,225	5624068
	CHPF3743D6B*+TXV	G*VC950905CXB*	35,000	26,600	18.00	13.25	1,250	6498329
	CHPF3743D6B*+TXV	G*VC81005C*B*	35,000	26,600	17.00	13.00	1,210	5188353
	CHPF4860D6D*+EEP+TXV		36,000	27,400	15.00	12.50	1,250	5357239
	CHPF4860D6D*+MBVC2000**-1A*+TXV		35,000	26,600	18.30	13.00	1,250	3610630
	CHPF4860D6D*+TXV	G*VC950704CXB*	35,000	26,600	17.50	13.30	1,225	6498339
CHPF4860D6D*+TXV	A*VM960603BXB*	34,600	26,200	17.00	13.00	1,200	5624074	
CHPF4860D6D*+TXV	A*VC950704CXB*	35,000	26,600	17.50	13.30	1,225	5624038	
CHPF4860D6D*+TXV	A*VC960804CNA*	34,600	26,200	17.50	13.00	1,190	7364106	
CHPF4860D6D*+TXV	G*VC961205DNA*	34,800	26,400	17.50	13.00	1,150	7364018	
CHPF4860D6D*+TXV	G*VC81005C*B*	36,000	27,400	18.00	13.70	1,210	5188359	

See Notes on Page 25.

OUTDOOR UNIT	INDOOR UNITS		COOLING RATINGS				CFM	AHRI #
	COILS/AIR HANDLERS	FURNACES	TOTAL ¹	SENS. ¹	SEER ²	EER ³		
ASXC18 0361A* (cont.)	CHPF4860D6D*+TXV	G*VC950905CXB*	36,000	27,400	18.00	13.25	1,250	6498340
	CHPF4860D6D*+TXV	A*VC950905CXB*	36,000	27,400	18.00	13.25	1,250	5624050
	CHPF4860D6D*+TXV	A*VM970804CNA*	34,600	26,200	17.50	13.00	1,190	7364154
	CHPF4860D6D*+TXV	G*VM960604CXB*	35,000	26,600	17.50	13.30	1,225	6498344
	CHPF4860D6D*+TXV	A*VC80805C*B*	36,000	27,400	18.00	13.70	1,190	5188355
	CHPF4860D6D*+TXV	G*VC950453BXB*	34,600	26,200	17.00	13.00	1,200	6498338
	CHPF4860D6D*+TXV	G*VM961005DXB*	35,000	26,600	18.30	13.25	1,225	6498347
	CHPF4860D6D*+TXV	G*VC951155DXB*	35,000	26,600	18.30	13.25	1,225	6498342
	CHPF4860D6D*+TXV	G*VM971005CNA*	34,600	26,200	17.50	13.00	1,175	7364060
	CHPF4860D6D*+TXV	A*VM960805DXB*	36,000	27,400	18.00	13.25	1,250	5624094
	CHPF4860D6D*+TXV	A*VC961005CNA*	34,600	26,200	17.50	13.00	1,175	7364112
	CHPF4860D6D*+TXV	G*VM970804CNA*	34,600	26,200	17.50	13.00	1,190	7364054
	CHPF4860D6D*+TXV	A*VC961205DNA*	34,800	26,400	17.50	13.00	1,150	7364117
	CHPF4860D6D*+TXV	G*VC960804CNA*	34,600	26,200	17.50	13.00	1,190	7364007
	CHPF4860D6D*+TXV	A*VM971205DNA*	34,800	26,400	17.50	13.00	1,150	7364165
	CHPF4860D6D*+TXV	A*VC950453BXB*	34,600	26,200	17.00	13.00	1,200	5624030
	CHPF4860D6D*+TXV	A*VC951155DXB*	35,000	26,600	18.30	13.25	1,225	5624069
	CHPF4860D6D*+TXV	G*VC961005CNA*	34,600	26,200	17.50	13.00	1,175	7364013
	CHPF4860D6D*+TXV	A*VM960805CXB*	36,000	27,400	18.00	13.25	1,250	5624089
	CHPF4860D6D*+TXV	A*VM961005DXB*	35,000	26,600	18.30	13.25	1,225	5624101
	CHPF4860D6D*+TXV	A*VM961155DXB*	35,000	26,600	18.30	13.25	1,225	5624108
	CHPF4860D6D*+TXV	G*VM960805CXB*	36,000	27,400	18.00	13.25	1,250	6498345
	CHPF4860D6D*+TXV	A*VC81005C*B*	36,000	27,400	18.00	13.70	1,210	5188356
	CHPF4860D6D*+TXV	A*VM960604CXB*	35,000	26,600	17.50	13.30	1,225	5624081
	CHPF4860D6D*+TXV	G*VM960603BXB*	34,600	26,200	17.00	13.00	1,200	6498343
	CHPF4860D6D*+TXV	G*VC80805C*B*	36,000	27,400	18.00	13.70	1,190	5188358
	CHPF4860D6D*+TXV	A*VC80604B*B*	36,000	27,400	17.50	13.20	1,220	5188354
	CHPF4860D6D*+TXV	G*VM960805DXB*	36,000	27,400	18.00	13.25	1,250	6498346
	CHPF4860D6D*+TXV	G*VM961155DXB*	35,000	26,600	18.30	13.25	1,225	6498348
	CHPF4860D6D*+TXV	G*VM971205DNA*	34,800	26,400	17.50	13.00	1,150	7364065
	CHPF4860D6D*+TXV	A*VC950905DXB*	36,000	27,400	18.00	13.25	1,250	5624059
	CHPF4860D6D*+TXV	G*VC950905DXB*	36,000	27,400	18.00	13.25	1,250	6498341
	CHPF4860D6D*+TXV	A*VM971005CNA*	34,600	26,200	17.50	13.00	1,175	7364160
	CHPF4860D6D*+TXV	G*VC80604B*B*	36,000	27,400	17.50	13.20	1,220	5188357
	CSCF3642N6D*+TXV	G*VC960603BNA*	34,000	25,800	16.50	13.00	1,075	7363997
	CSCF3642N6D*+TXV	G*VC960803BNA*	34,000	25,800	16.50	13.00	1,100	7364002
	CSCF3642N6D*+TXV	A*VC960403BNA*	34,000	25,800	16.50	13.00	1,075	7364091
	CSCF3642N6D*+TXV	A*VC960804CNA*	34,400	26,200	17.00	13.00	1,190	7364107
	CSCF3642N6D*+TXV	G*VC951155DXB*	34,600	26,200	17.50	13.00	1,225	6498353
	CSCF3642N6D*+TXV	G*VC950905DXB*	34,600	26,200	17.50	13.00	1,150	6498352
	CSCF3642N6D*+TXV	A*VC960803BNA*	34,000	25,800	16.50	13.00	1,100	7364101
	CSCF3642N6D*+TXV	G*VC961005CNA*	34,400	26,200	17.00	13.00	1,175	7364014
	CSCF3642N6D*+TXV	A*VM970804CNA*	34,400	26,200	17.00	13.00	1,190	7364155
	CSCF3642N6D*+TXV	G*VM971005CNA*	34,400	26,200	17.00	13.00	1,175	7364061
	CSCF3642N6D*+TXV	A*VC951155DXB*	34,600	26,200	17.50	13.00	1,225	5624070
	CSCF3642N6D*+TXV	A*VC950905DXB*	34,600	26,200	17.50	13.00	1,150	5624060
	CSCF3642N6D*+TXV	A*VC950905CXB*	34,600	26,200	17.50	13.00	1,150	5624051
	CSCF3642N6D*+TXV	G*VC950453BXB*	34,600	26,200	17.00	13.00	1,200	6498349
CSCF3642N6D*+TXV	A*VC950704CXB*	34,600	26,200	17.00	13.00	1,225	5624039	
CSCF3642N6D*+TXV	G*VC960403BNA*	34,000	25,800	16.50	13.00	1,075	7363992	
CSCF3642N6D*+TXV	A*VC961005CNA*	34,400	26,200	17.00	13.00	1,175	7364113	
CSCF3642N6D*+TXV	G*VM970804CNA*	34,400	26,200	17.00	13.00	1,190	7364055	
CSCF3642N6D*+TXV	G*VC950905CXB*	34,600	26,200	17.50	13.00	1,150	6498351	
CSCF3642N6D*+TXV	G*VC950704CXB*	34,600	26,200	17.00	13.00	1,225	6498350	
CSCF3642N6D*+TXV	A*VM970603BNA*	34,000	25,800	16.50	13.00	1,075	7364143	

See Notes on Page 25.

OUTDOOR UNIT	INDOOR UNITS		COOLING RATINGS				CFM	AHRI #
	COILS/AIR HANDLERS	FURNACES	TOTAL ¹	SENS. ¹	SEER ²	EER ³		
ASXC18 0361A* (cont.)	CSCF3642N6D*+TXV	A*VM970803BNA*	34,000	25,800	16.50	13.00	1,100	7364149
	CSCF3642N6D*+TXV	A*VC950453BXB*	34,600	26,200	17.00	13.00	1,200	5624031
	CSCF3642N6D*+TXV	G*VM970803BNA*	34,000	25,800	16.50	13.00	1,100	7364049
	CSCF3642N6D*+TXV	G*VM970603BNA*	34,000	25,800	16.50	13.00	1,075	7364044
	CSCF3642N6D*+TXV	A*VM971005CNA*	34,400	26,200	17.00	13.00	1,175	7364161
	CSCF3642N6D*+TXV	G*VC960804CNA*	34,400	26,200	17.00	13.00	1,190	7364008
	CSCF3642N6D*+TXV	A*VC960603BNA*	34,000	25,800	16.50	13.00	1,075	7364096
	CSCF4860N6D*+EEP+TXV		36,000	27,400	15.00	12.50	1,250	5357240
	CSCF4860N6D*+TXV	G*VC961205DNA*	34,600	26,200	17.00	13.00	1,150	7364019
	CSCF4860N6D*+TXV	A*VM971205DNA*	34,600	26,200	17.00	13.00	1,150	7364166
	CSCF4860N6D*+TXV	G*VM971205DNA*	34,600	26,200	17.00	13.00	1,150	7364066
	CSCF4860N6D*+TXV	A*VC961205DNA*	34,600	26,200	17.00	13.00	1,150	7364118
	ASXC18 0481A*	AVPTC48C14A*		45,000	34,200	16.00	12.00	1,450
AVPTC48D14A*			47,000	35,800	17.50	13.00	1,700	5924395
CA*F4860*6D*+EEP+TXV			47,000	35,800	15.00	12.00	1,500	5614885
CA*F4961*6D*+EEP+TXV			48,000	36,400	15.50	12.50	1,500	5357241
CA*F4961*6D*+MBVC1600**-1A*+TXV			46,000	35,000	17.00	13.00	1,725	6498354
CA*F4961*6D*+MBVC2000**-1A*+TXV			47,500	36,200	18.00	13.25	1,750	4431459
CA*F4961*6D*+TXV		A*VC950915DXB*	47,000	35,800	17.50	13.00	1,750	5624114
CA*F4961*6D*+TXV		A*VC960804CNA*	45,500	34,600	17.00	12.80	1,525	7364119
CA*F4961*6D*+TXV		A*VM961005DXB*	47,500	36,200	18.00	13.00	1,600	5624125
CA*F4961*6D*+TXV		ADVC80805C*B*	48,000	36,400	17.00	12.80	1,580	5188401
CA*F4961*6D*+TXV		A*VM961155DXB*	47,500	36,200	18.00	13.00	1,600	5624128
CA*F4961*6D*+TXV		G*VC951155DXB*	47,000	35,800	18.00	13.00	1,750	5624117
CA*F4961*6D*+TXV		A*VM960805DXB*	47,000	35,800	17.50	13.00	1,750	5624122
CA*F4961*6D*+TXV		A*VM971005CNA*	45,500	34,600	17.00	12.80	1,520	7364171
CA*F4961*6D*+TXV		G*VC81005C*B*	48,000	36,400	17.00	12.20	1,520	5188363
CA*F4961*6D*+TXV		A*VC950905DXB*	47,000	35,800	17.50	13.00	1,750	5624111
CA*F4961*6D*+TXV		G*EC961004CNA*	45,500	34,600	17.00	13.00	1,550	7368480
CA*F4961*6D*+TXV		G*VM961005DXB*	47,000	35,800	18.00	13.00	1,750	5624126
CA*F4961*6D*+TXV		G*VC950915DXB*	47,000	35,800	17.50	13.00	1,750	5624115
CA*F4961*6D*+TXV		ADVC81005C*B*	48,000	36,400	17.00	12.20	1,550	5188441
CA*F4961*6D*+TXV		A*VC950714CXB*	46,000	35,000	17.00	13.00	1,725	5624109
CA*F4961*6D*+TXV		A*VC80805C*B*	48,000	36,400	17.00	12.80	1,590	5188360
CA*F4961*6D*+TXV		A*VM960604CXB*	46,000	35,000	17.00	13.00	1,725	5624119
CA*F4961*6D*+TXV		G*VC80805C*B*	48,000	36,400	17.00	12.80	1,590	5188362
CA*F4961*6D*+TXV		A*VC961205DNA*	46,000	35,000	17.50	12.80	1,530	7364127
CA*F4961*6D*+TXV		G*VM961155DXB*	47,000	35,800	18.00	13.00	1,750	5624129
CA*F4961*6D*+TXV		G*VM971005CNA*	45,500	34,600	17.00	12.80	1,520	7364071
CA*F4961*6D*+TXV		A*EC961004CNA*	45,500	34,600	17.00	13.00	1,550	7368501
CA*F4961*6D*+TXV		G*VM960604CXB*	46,000	35,000	17.00	13.00	1,725	6498357
CA*F4961*6D*+TXV		A*VC950905CXB*	46,000	35,000	16.50	13.00	1,650	5696597
CA*F4961*6D*+TXV		G*VC961005CNA*	45,500	34,600	17.00	12.80	1,520	7364024
CA*F4961*6D*+TXV		G*VM971205DNA*	46,000	35,000	17.50	12.80	1,530	7364075
CA*F4961*6D*+TXV		A*VC951155DXB*	47,500	36,200	18.00	13.00	1,600	5624116
CA*F4961*6D*+TXV		A*VC961005CNA*	45,500	34,600	17.00	12.80	1,520	7364123
CA*F4961*6D*+TXV		G*VC91155DXA*	46,500	35,400	16.50	13.00	1,650	6498355
CA*F4961*6D*+TXV		G*VM960805DXB*	47,000	35,800	17.50	13.00	1,750	5624123
CA*F4961*6D*+TXV		A*VM970804CNA*	45,500	34,600	17.00	12.80	1,525	7364167
CA*F4961*6D*+TXV		G*EC961205DNA*	45,500	34,600	17.00	13.00	1,550	7368483
CA*F4961*6D*+TXV		G*VM970804CNA*	45,500	34,600	17.00	12.80	1,525	7364067
CA*F4961*6D*+TXV		G*VC961205DNA*	46,000	35,000	17.50	12.80	1,530	7364028
CA*F4961*6D*+TXV		A*VC81005C*B*	48,000	36,400	17.00	12.20	1,520	5188361
CA*F4961*6D*+TXV		A*VM971205DNA*	46,000	35,000	17.50	12.80	1,530	7364176
CA*F4961*6D*+TXV		G*VC950905DXB*	47,000	35,800	17.50	13.00	1,750	5624112

See Notes on Page 25.

OUTDOOR UNIT	INDOOR UNITS		COOLING RATINGS				CFM	AHRI #	
	COILS/AIR HANDLERS	FURNACES	TOTAL ¹	SENS. ¹	SEER ²	EER ³			
ASXC18 0481A* (cont.)	CA*F4961*6D*+TXV	G*VC950714CXB*	46,000	35,000	17.00	13.00	1,725	6498356	
	CA*F4961*6D*+TXV	A*EC961205DNA*	45,500	34,600	17.00	13.00	1,550	7368504	
	CA*F4961*6D*+TXV	G*VC960804CNA*	45,500	34,600	17.00	12.80	1,525	7364020	
	CAPT4961*4A*	G*VC960804CNA*	45,500	34,600	17.00	12.80	1,525	7364021	
	CAPT4961*4A*	G*EC961004CNA*	45,500	34,600	17.00	13.00	1,550	7368481	
	CAPT4961*4A*	A*EC961004CNA*	45,500	34,600	17.00	13.00	1,550	7368502	
	CAPT4961*4A*	G*VC961005CNA*	45,500	34,600	17.00	12.80	1,520	7364025	
	CAPT4961*4A*	A*VM971005CNA*	45,500	34,600	17.00	12.80	1,520	7364172	
	CAPT4961*4A*	G*EC961205DNA*	45,500	34,600	17.00	13.00	1,550	7368484	
	CAPT4961*4A*	G*VM971005CNA*	45,500	34,600	17.00	12.80	1,520	7364072	
	CAPT4961*4A*	A*EC961205DNA*	45,500	34,600	17.00	13.00	1,550	7368505	
	CAPT4961*4A*	G*VM970804CNA*	45,500	34,600	17.00	12.80	1,525	7364068	
	CAPT4961*4A*	A*VC961005CNA*	45,500	34,600	17.00	12.80	1,520	7364124	
	CAPT4961*4A*	A*VM970804CNA*	45,500	34,600	17.00	12.80	1,525	7364168	
	CAPT4961*4A*	A*VM971205DNA*	46,000	35,000	17.50	12.80	1,530	7364177	
	CAPT4961*4A*	A*VC961205DNA*	46,000	35,000	17.50	12.80	1,530	7364128	
	CAPT4961*4A*	G*VC961205DNA*	46,000	35,000	17.50	12.80	1,530	7364029	
	CAPT4961*4A*	A*VC960804CNA*	45,500	34,600	17.00	12.80	1,525	7364120	
	CAPT4961*4A*	G*VM971205DNA*	46,000	35,000	17.50	12.80	1,530	7364076	
	CHPF4860D6D*+EEP+TXV			48,000	36,400	15.50	12.50	1,500	5357242
	CHPF4860D6D*+MBVC1600** -1A*+TXV			46,000	35,000	17.00	13.00	1,725	3610641
	CHPF4860D6D*+MBVC2000** -1A*+TXV			47,500	36,200	18.00	13.25	1,750	3610642
	CHPF4860D6D*+TXV	G*VC961205DNA*		46,000	35,000	17.50	12.80	1,530	7364030
	CHPF4860D6D*+TXV	A*VM971005CNA*		45,500	34,600	17.00	12.80	1,520	7364173
	CHPF4860D6D*+TXV	A*VM961155DXB*		47,500	36,200	18.00	13.00	1,600	5624130
	CHPF4860D6D*+TXV	G*VC960804CNA*		45,500	34,600	17.00	12.80	1,525	7364022
	CHPF4860D6D*+TXV	A*EC961205DNA*		45,500	34,600	17.00	13.00	1,550	7368506
	CHPF4860D6D*+TXV	G*VM961005DXB*		47,500	36,200	18.00	13.00	1,600	6498364
	CHPF4860D6D*+TXV	A*VM971205DNA*		46,000	35,000	17.50	12.80	1,530	7364178
	CHPF4860D6D*+TXV	G*VC950905CXB*		47,000	35,800	16.50	13.00	1,750	6498358
	CHPF4860D6D*+TXV	G*VM961155DXB*		47,500	36,200	18.00	13.00	1,600	6498365
	CHPF4860D6D*+TXV	A*VC950905CXB*		47,000	35,800	16.50	13.00	1,750	5624110
	CHPF4860D6D*+TXV	G*VC80805C*B*		48,000	36,400	17.00	12.80	1,590	5188366
	CHPF4860D6D*+TXV	G*VM960805CXB*		47,000	35,800	16.50	13.00	1,750	6498362
	CHPF4860D6D*+TXV	G*VM960604CXB*		46,000	35,000	17.00	13.00	1,725	6498361
	CHPF4860D6D*+TXV	G*EC961004CNA*		45,500	34,600	17.00	13.00	1,550	7368482
	CHPF4860D6D*+TXV	A*VM970804CNA*		45,500	34,600	17.00	12.80	1,525	7364169
	CHPF4860D6D*+TXV	A*EC961004CNA*		45,500	34,600	17.00	13.00	1,550	7368503
	CHPF4860D6D*+TXV	A*VM960805DXB*		47,000	35,800	16.50	13.00	1,750	5624124
	CHPF4860D6D*+TXV	A*VC961005CNA*		45,500	34,600	17.00	12.80	1,520	7364125
	CHPF4860D6D*+TXV	G*VC950905DXB*		47,000	35,800	17.50	13.00	1,750	6498359
	CHPF4860D6D*+TXV	A*VC950905DXB*		47,000	35,800	17.50	13.00	1,750	5624113
	CHPF4860D6D*+TXV	G*VM971205DNA*		46,000	35,000	17.50	12.80	1,530	7364077
	CHPF4860D6D*+TXV	G*VC951155DXB*		47,500	36,200	18.00	13.00	1,600	6498360
	CHPF4860D6D*+TXV	A*VM960604CXB*		46,000	35,000	17.00	13.00	1,725	5624120
	CHPF4860D6D*+TXV	A*VC81005C*B*		48,000	36,400	17.00	12.20	1,520	5188365
	CHPF4860D6D*+TXV	G*VC961005CNA*		45,500	34,600	17.00	12.80	1,520	7364026
	CHPF4860D6D*+TXV	G*VM970804CNA*		45,500	34,600	17.00	12.80	1,525	7364069
	CHPF4860D6D*+TXV	G*VC81005C*B*		48,000	36,400	17.00	12.20	1,520	5188367
	CHPF4860D6D*+TXV	G*VM971005CNA*		45,500	34,600	17.00	12.80	1,520	7364073
CHPF4860D6D*+TXV	G*EC961205DNA*		45,500	34,600	17.00	13.00	1,550	7368485	
CHPF4860D6D*+TXV	A*VC960804CNA*		45,500	34,600	17.00	12.80	1,525	7364121	
CHPF4860D6D*+TXV	A*VC80805C*B*		48,000	36,400	17.00	12.80	1,590	5188364	
CHPF4860D6D*+TXV	A*VC961205DNA*		46,000	35,000	17.50	12.80	1,530	7364129	
CHPF4860D6D*+TXV	A*VM961005DXB*		47,500	36,200	18.00	13.00	1,600	5624127	

See Notes on Page 25.

OUTDOOR UNIT	INDOOR UNITS		COOLING RATINGS				CFM	AHRI #
	COILS/AIR HANDLERS	FURNACES	TOTAL ¹	SENS. ¹	SEER ²	EER ³		
ASXC18 0481A* (cont.)	CHPF4860D6D*+TXV	G*VM960805DXB*	47,000	35,800	17.50	13.00	1,750	6498363
	CHPF4860D6D*+TXV	A*VC951155DXB*	47,500	36,200	18.00	13.00	1,600	5624118
	CHPF4860D6D*+TXV	A*VM960805CXB*	47,000	35,800	16.50	13.00	1,750	5624121
	CSCF4860N6D*+EEP+TXV		48,000	36,400	15.50	12.50	1,500	5357243
	CSCF4860N6D*+TXV	G*VC961205DNA*	45,500	34,600	17.00	12.80	1,530	7364031
	CSCF4860N6D*+TXV	G*VC960804CNA*	45,000	34,200	16.50	12.80	1,525	7364023
	CSCF4860N6D*+TXV	G*VC961005CNA*	45,000	34,200	16.50	12.80	1,520	7364027
	CSCF4860N6D*+TXV	G*VM971205DNA*	45,500	34,600	17.00	12.80	1,530	7364078
	CSCF4860N6D*+TXV	A*VC960804CNA*	45,000	34,200	16.50	12.80	1,525	7364122
	CSCF4860N6D*+TXV	A*VM971005CNA*	45,000	34,200	16.50	12.80	1,520	7364174
	CSCF4860N6D*+TXV	G*VM970804CNA*	45,000	34,200	16.50	12.80	1,525	7364070
	CSCF4860N6D*+TXV	A*VM971205DNA*	45,500	34,600	17.00	12.80	1,530	7364179
	CSCF4860N6D*+TXV	A*VM970804CNA*	45,000	34,200	16.50	12.80	1,525	7364170
	CSCF4860N6D*+TXV	A*VC961005CNA*	45,000	34,200	16.50	12.80	1,520	7364126
	CSCF4860N6D*+TXV	G*VM971005CNA*	45,000	34,200	16.50	12.80	1,520	7364074
	CSCF4860N6D*+TXV	A*VC961205DNA*	45,500	34,600	17.00	12.80	1,530	7364130
ASXC18 0601A*	AVPTC60D14A*		58,000	42,000	16.00	11.75	1,780	5924396
	CA*F4961*6D*+EEP+TXV		57,000	41,000	15.00	12.00	1,500	5357244
	CA*F4961*6D*+MBVC2000**-1A*+TXV		58,000	42,000	17.00	12.00	2,000	4431460
	CA*F4961*6D*+TXV	A*VC961005CNA*	56,000	40,500	15.50	11.80	1,750	7364131
	CA*F4961*6D*+TXV	G*VC950905CXB*	58,000	42,000	16.00	11.50	1,750	5624132
	CA*F4961*6D*+TXV	ADVC81005C*B*	56,000	40,500	16.00	11.20	1,820	5188434
	CA*F4961*6D*+TXV	A*VC961205DNA*	56,000	40,500	16.00	11.80	1,600	7364135
	CA*F4961*6D*+TXV	G*VM961005DXB*	58,000	42,000	16.00	11.50	1,900	5624145
	CA*F4961*6D*+TXV	G*EC961205DNA*	56,000	40,500	16.00	11.50	1,550	7368486
	CA*F4961*6D*+TXV	A*VM961155DXB*	58,000	42,000	16.00	11.50	1,900	5624147
	CA*F4961*6D*+TXV	G*VC961005CNA*	56,000	40,500	15.50	11.80	1,750	7364032
	CA*F4961*6D*+TXV	G*VC950905DXB*	58,000	42,000	16.00	11.50	1,750	5624135
	CA*F4961*6D*+TXV	G*VC80805C*B*	56,000	40,500	16.00	11.20	1,890	5188370
	CA*F4961*6D*+TXV	G*VM960805CXB*	58,000	42,000	16.00	11.50	1,750	5624141
	CA*F4961*6D*+TXV	A*VC80805C*B*	56,000	40,500	16.00	11.20	1,890	5188368
	CA*F4961*6D*+TXV	A*VM961005DXB*	58,000	42,000	16.00	11.50	1,900	5624144
	CA*F4961*6D*+TXV	A*EC961205DNA*	56,000	40,500	16.00	11.50	1,550	7368507
	CA*F4961*6D*+TXV	G*VM961155DXB*	58,000	42,000	16.00	11.50	1,900	5624148
	CA*F4961*6D*+TXV	A*VC81005C*B*	56,000	40,500	16.00	11.20	1,800	5188369
	CA*F4961*6D*+TXV	A*VC950905CXB*	58,000	42,000	16.00	11.50	1,750	5624131
	CA*F4961*6D*+TXV	A*VM971005CNA*	56,000	40,500	15.50	11.80	1,750	7364180
	CA*F4961*6D*+TXV	A*VC950915DXB*	58,000	42,000	16.00	11.50	1,750	6498366
	CA*F4961*6D*+TXV	A*VM960805CXB*	58,000	42,000	16.00	11.50	1,750	5624140
	CA*F4961*6D*+TXV	G*VC950915DXB*	58,000	42,000	16.00	11.50	1,750	6498367
	CA*F4961*6D*+TXV	A*VM971205DNA*	56,000	40,500	16.00	11.80	1,600	7364184
	CA*F4961*6D*+TXV	G*VM960805DXB*	58,000	42,000	16.00	11.50	1,750	6498368
	CA*F4961*6D*+TXV	G*VM971005CNA*	56,000	40,500	15.50	11.80	1,750	7364079
	CA*F4961*6D*+TXV	G*VC951155DXB*	58,000	42,000	16.00	11.50	1,900	5624138
	CA*F4961*6D*+TXV	G*VC81005C*B*	56,000	40,500	16.00	11.20	1,800	5188371
	CA*F4961*6D*+TXV	A*VC951155DXB*	58,000	42,000	16.00	11.50	1,900	5624137
	CA*F4961*6D*+TXV	G*VC961205DNA*	56,000	40,500	16.00	11.80	1,600	7364036
	CA*F4961*6D*+TXV	ADVC80805C*B*	56,000	40,500	16.00	11.20	1,940	5188402
	CA*F4961*6D*+TXV	A*VC950905DXB*	58,000	42,000	16.00	11.50	1,750	5624134
	CA*F4961*6D*+TXV	G*VM971205DNA*	56,000	40,500	16.00	11.80	1,600	7364083
	CAPT4961*4A*	A*VM971205DNA*	56,000	40,500	16.00	11.80	1,600	7364185
	CAPT4961*4A*	G*VC961205DNA*	56,000	40,500	16.00	11.80	1,600	7364037
	CAPT4961*4A*	G*VM971005CNA*	56,000	40,500	15.50	11.80	1,750	7364080
	CAPT4961*4A*	A*VC961005CNA*	56,000	40,500	15.50	11.80	1,750	7364132
	CAPT4961*4A*	A*VM971005CNA*	56,000	40,500	15.50	11.80	1,750	7364181

See Notes on Page 25.

OUTDOOR UNIT	INDOOR UNITS		COOLING RATINGS				CFM	AHRI #
	COILS/AIR HANDLERS	FURNACES	TOTAL ¹	SENS. ¹	SEER ²	EER ³		
ASXC18 0601A* (cont.)	CAPT4961*4A*	A*EC961205DNA*	56,000	40,500	16.00	11.50	1,550	7368508
	CAPT4961*4A*	G*VM971205DNA*	56,000	40,500	16.00	11.80	1,600	7364084
	CAPT4961*4A*	G*EC961205DNA*	56,000	40,500	16.00	11.50	1,550	7368487
	CAPT4961*4A*	A*VC961205DNA*	56,000	40,500	16.00	11.80	1,600	7364136
	CAPT4961*4A*	G*VC961005CNA*	56,000	40,500	15.50	11.80	1,750	7364033
	CHPF4860D6D*+EEP+TXV		57,000	41,000	15.00	12.00	1,500	5357245
	CHPF4860D6D*+MBVC2000**+1A*+TXV		58,000	42,000	17.00	12.00	2,000	3610647
	CHPF4860D6D*+TXV	G*VC950905DXB*	58,000	42,000	16.00	11.50	1,900	6498370
	CHPF4860D6D*+TXV	G*VC951155DXB*	58,000	42,000	16.00	11.75	1,750	6498371
	CHPF4860D6D*+TXV	A*VM971205DNA*	56,000	40,500	16.00	11.80	1,600	7364186
	CHPF4860D6D*+TXV	A*VC961005CNA*	56,000	40,500	15.50	11.80	1,750	7364133
	CHPF4860D6D*+TXV	A*VC80805C*B*	56,000	40,500	16.00	11.20	1,890	5188372
	CHPF4860D6D*+TXV	A*EC961205DNA*	56,000	40,500	16.00	11.50	1,550	7368509
	CHPF4860D6D*+TXV	G*VM961155DXB*	58,000	42,000	16.00	11.75	1,750	6498375
	CHPF4860D6D*+TXV	A*VC950905DXB*	58,000	42,000	16.00	11.50	1,900	5624136
	CHPF4860D6D*+TXV	G*VM960805DXB*	58,000	42,000	16.00	11.50	1,900	6498373
	CHPF4860D6D*+TXV	A*VM961005DXB*	58,000	42,000	16.00	11.75	1,750	5624146
	CHPF4860D6D*+TXV	G*VC961005CNA*	56,000	40,500	15.50	11.80	1,750	7364034
	CHPF4860D6D*+TXV	G*VM961005DXB*	58,000	42,000	16.00	11.75	1,750	6498374
	CHPF4860D6D*+TXV	G*VM971205DNA*	56,000	40,500	16.00	11.80	1,600	7364085
	CHPF4860D6D*+TXV	A*VM961155DXB*	58,000	42,000	16.00	11.75	1,750	5624149
	CHPF4860D6D*+TXV	G*VM971005CNA*	56,000	40,500	15.50	11.80	1,750	7364081
	CHPF4860D6D*+TXV	G*VM960805CXB*	58,000	42,000	16.00	11.50	1,900	6498372
	CHPF4860D6D*+TXV	A*VM960805CXB*	58,000	42,000	16.00	11.50	1,900	5624142
	CHPF4860D6D*+TXV	G*VC961205DNA*	56,000	40,500	16.00	11.80	1,600	7364038
	CHPF4860D6D*+TXV	A*VC961205DNA*	56,000	40,500	16.00	11.80	1,600	7364137
	CHPF4860D6D*+TXV	A*VC950905CXB*	58,000	42,000	16.00	11.50	1,900	5624133
	CHPF4860D6D*+TXV	A*VC81005C*B*	56,000	40,500	16.00	11.20	1,800	5188373
	CHPF4860D6D*+TXV	G*VC80805C*B*	56,000	40,500	16.00	11.20	1,890	5188374
	CHPF4860D6D*+TXV	G*VC950905CXB*	58,000	42,000	16.00	11.50	1,900	6498369
	CHPF4860D6D*+TXV	G*EC961205DNA*	56,000	40,500	16.00	11.50	1,550	7368488
	CHPF4860D6D*+TXV	G*VC81005C*B*	56,000	40,500	16.00	11.20	1,800	5188375
	CHPF4860D6D*+TXV	A*VC951155DXB*	58,000	42,000	16.00	11.75	1,750	5624139
	CHPF4860D6D*+TXV	A*VM960805DXB*	58,000	42,000	16.00	11.50	1,900	5624143
	CHPF4860D6D*+TXV	A*VM971005CNA*	56,000	40,500	15.50	11.80	1,750	7364182
	CSCF4860N6D*+EEP+TXV		57,000	41,000	15.00	12.00	1,500	5357246
	CSCF4860N6D*+TXV	G*VM971005CNA*	56,000	40,500	15.50	11.80	1,750	7364082
	CSCF4860N6D*+TXV	G*VC961205DNA*	55,500	40,000	15.50	11.80	1,600	7364039
	CSCF4860N6D*+TXV	A*VC961005CNA*	56,000	40,500	15.50	11.80	1,750	7364134
	CSCF4860N6D*+TXV	G*VC961005CNA*	56,000	40,500	15.50	11.80	1,750	7364035
	CSCF4860N6D*+TXV	A*VM971005CNA*	56,000	40,500	15.50	11.80	1,750	7364183
	CSCF4860N6D*+TXV	A*VC961205DNA*	55,500	40,000	15.50	11.80	1,600	7364138
	CSCF4860N6D*+TXV	G*VM971205DNA*	55,500	40,000	15.50	11.80	1,600	7364086
	CSCF4860N6D*+TXV	A*VM971205DNA*	55,500	40,000	15.50	11.80	1,600	7364187

¹ BTU/h

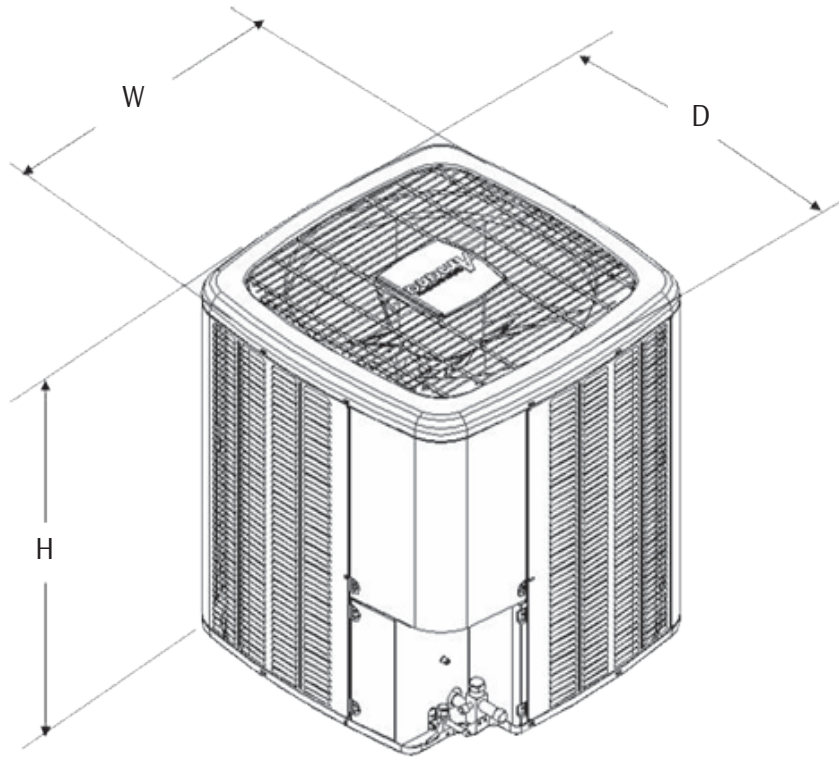
² Seasonal Energy Efficiency Ratio; Certified per AHRI 210/240 @ 80°F/ 67°F/ 95°F

³ Energy Efficiency Ratio @ 80°F/ 67°F/ 95°F

NOTES

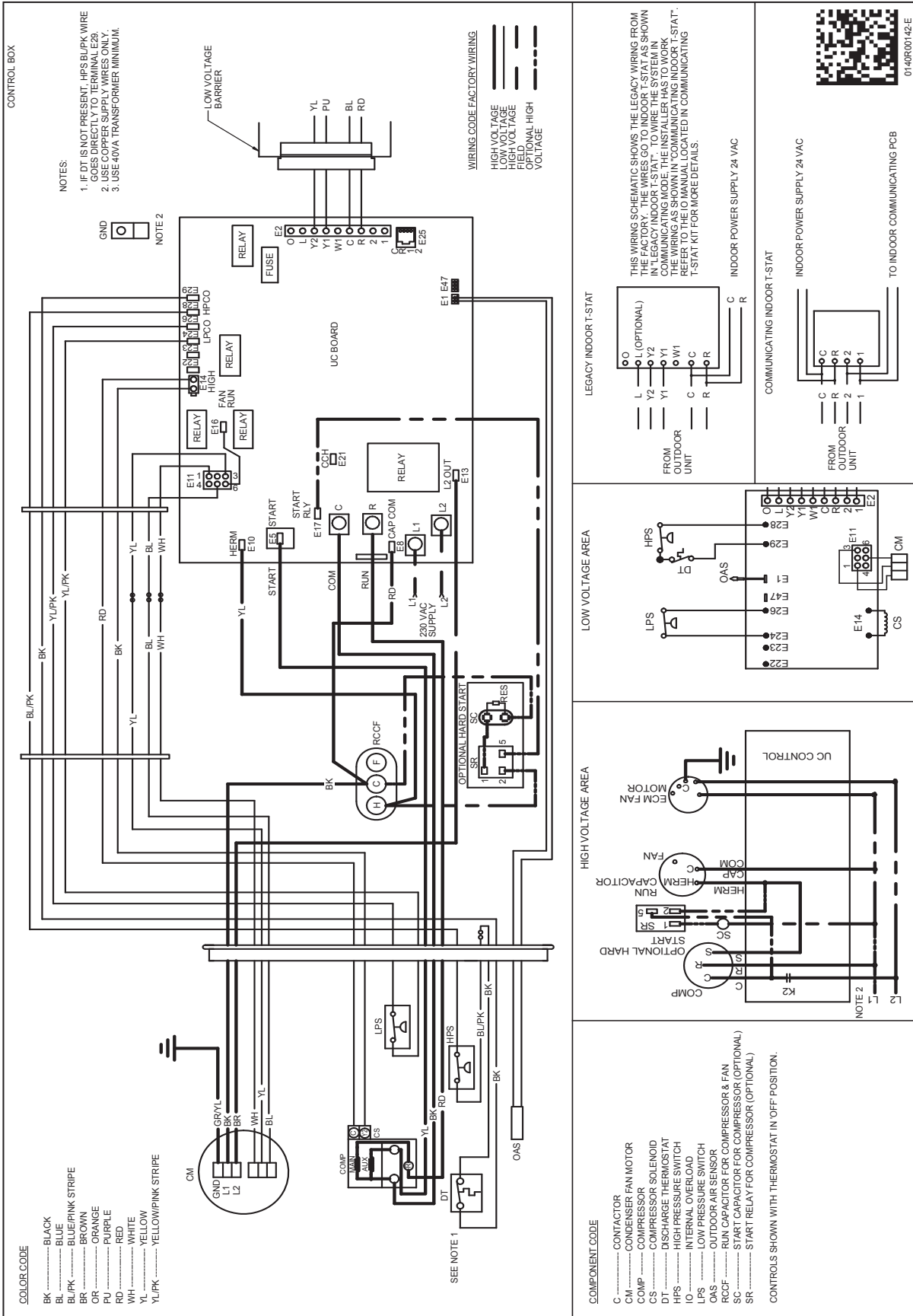
- Always check the S&R plate for electrical data on the unit being installed.
- When matching the outdoor unit to the indoor unit, use the piston supplied with the outdoor unit or that specified on the piston kit chart supplied with the indoor unit.
- EEP - Order from Service Dept. Part No. B13707-38 or new Solid State Board B13707-35S. Part No. B13707-38 is not interchangeable with B13707-35S. The Goodman Gas Furnace contains the EEP cooling time delay

DIMENSIONS



MODEL	W	D	H
ASXC180361A*	35½	35½	38¾
ASXC180481A*	35½	35½	38¾
ASXC180601A*	35½	35½	38¾

WIRING DIAGRAM



ACCESSORIES

MODEL	DESCRIPTION	ASXC18 036	ASXC18 048	ASXC18 060
ABK-20	Anchor Bracket Kit ⁰	X	X	X
ASC-01	Anti-Short Cycle Kit	X	X	X
B1141643 ¹	24V Transformer	X	X	X
CSR-U-1	Hard-start Kit	X	X	
CSR-U-2	Hard-start Kit			
CSR-U-3	Hard-start Kit			X
FSK01A ²	Freeze Protection Kit	X	X	X
LSK02A	Liquid Line Solenoid Valve	X	X	X
OT18-60A ³	Outdoor Thermostat/Lockout Thermostat	X	X	X
TX3N4	TXV Kit	X		
TX5N4	TXV Kit		X	X

⁰ Contains 20 brackets; four brackets needed to anchor unit to pad

¹ This component is included in the CTK01AA communicating thermostat kit.

² Installed on indoor coil

³ Available in 24V legacy mode only. This feature is integrated in the communicating mode.

Note: Maximum number of installed accessories at the same time is limited by the size of the unit's control box.