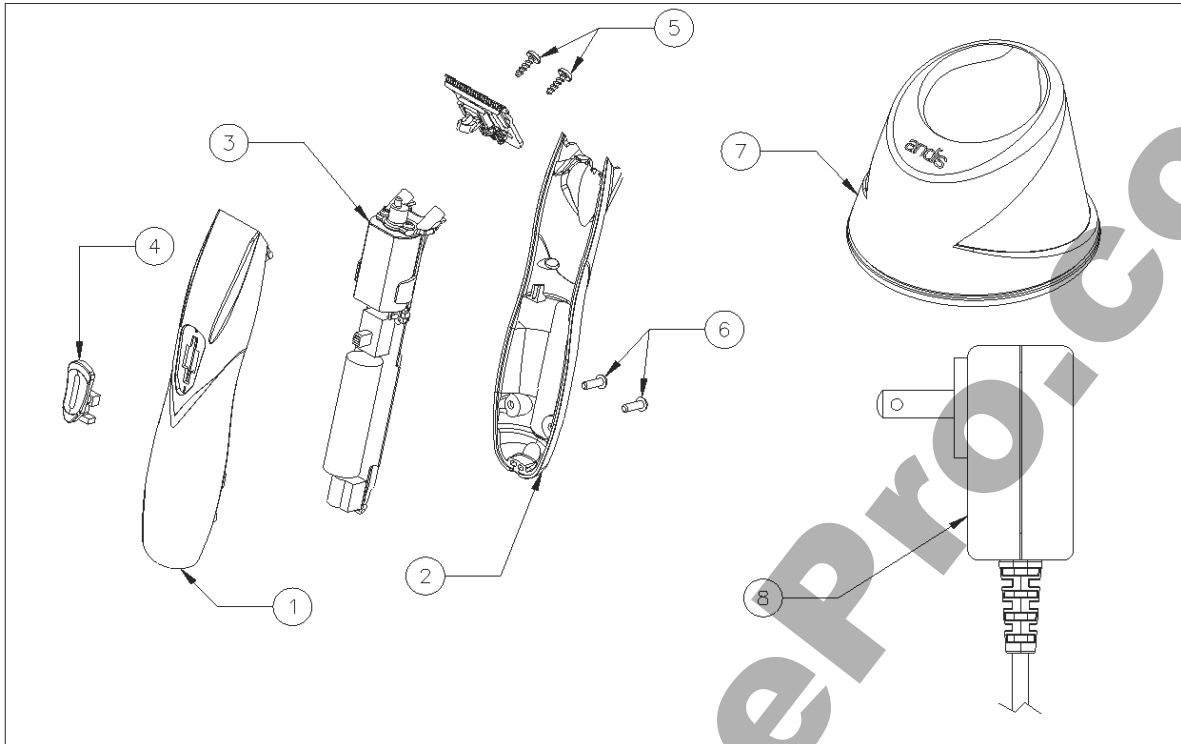


# andis

MODEL D-8 CLIPPER  
120 VOLT



ITEM NO.	PART NO.	DESCRIPTION	QTY. REQ'D
1	200731	Upper Housing	1
2	200728	Lower Housing	1
3	77507	Sled Assembly	1
4	77528	Switch Actuator	1
5	29271	Blade Screw	2
6	79049	Housing Screw	2
7	77511	Stand	1
8	72169	Charging Adapter	1

ITEM NO.	PART NO.	DESCRIPTION	QTY. REQ'D

**IMPORTANT INFORMATION**  
When ordering repair parts, include part number, part name and model of trimmer. For best performance, trimmer blades should be CLEANED and OILED with Andis Clipper Oil before and after use. If repair is necessary, return to any Andis Authorized Repair Service Station, or to Andis Company, 1800 Renaissance Blvd., Sturtevant, Wisconsin, 53177 U.S.A.. Pack carefully, mail either Insured Parcel Post, or U.P.S. , attach a letter to outside of package explaining difficulty.