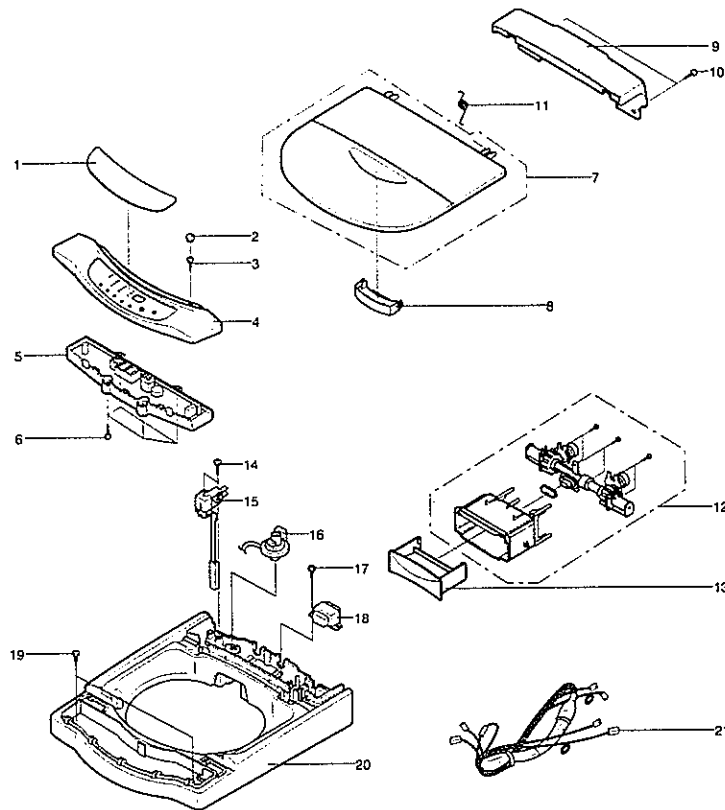


W751

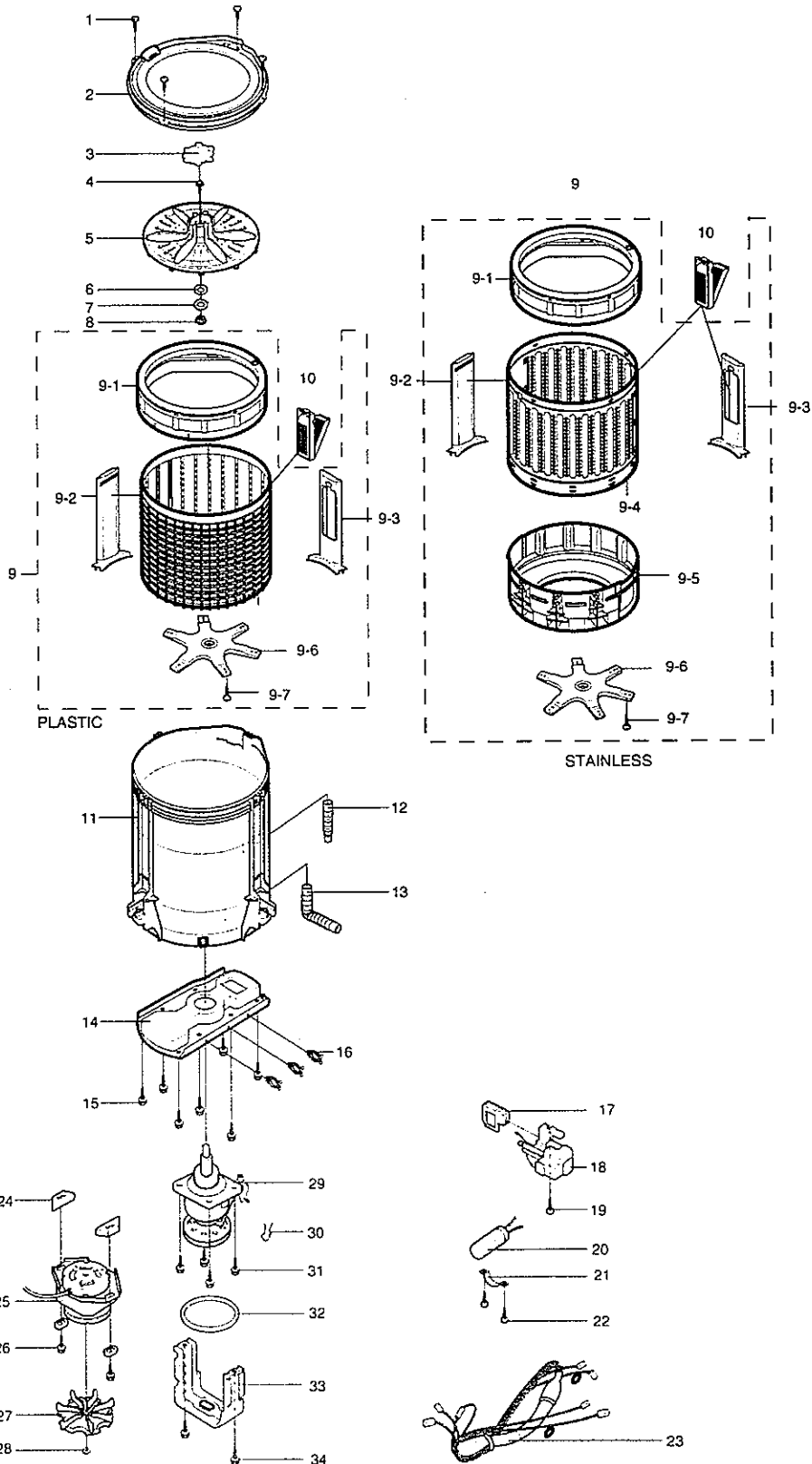
Parts Breakdown



Parts List

Location No.	Code No.	Description	Specification	Q'ty	Remarks
1	DC64 - 30084V	INLAY - PANEL	PC	1	
2	DC61 - 10657H	COVER - SCREW	ABS	1	WHITE
3	DC60 - 20054F	SCREW - TAPPING	1 - 4 x 14	1	
4	DC61 - 10655D	PANEL - CONTROL	PP	1	WHITE
5	DC96 - 00093A	ASSY - P.C.B URETHAN	W751S, W752P	1	HOT+COLD 120V/60Hz
6	DC60 - 20054F	SCREW - TAPPING	1 - 4 x 14	5	
7	DC97 - 00036D	ASSY - LID T.C	PP	1	WHITE
8	DC61 - 20198M	LID - HANDLE	ABS	1	WHITE
9	DC61 - 00084C	COVER - T.C	PP(W751S)	1	WHITE
	DC61 - 00084D	COVER - T.C	PP(W752P)	1	WHITE
10	DC60 - 20057B	SCREW - TAPPING	1 - 5 x 16 STS	2	
11	DC61 - 70214A	SPRING - Q (R)	STS 304	1	
12	DC91 - 11928B	ASSY - DETERGENT	110/120V 50/60Hz	1	HOT+COLD
13	DC97 - 00037D	ASSY - CASE DETERGENT	WHITE	1	
14	DC60 - 20054F	SCREW - TAPPING	1 - 4 x 14	2	
15	DC90 - 11054R	ASSY - CHECKER S/W	DC15V / 50mA	1	
16	DC32 - 30006M	SENSOR - PRESSURE	DN - S12	1	
17	DC60 - 20054F	SCREW - TAPPING	1 - 4 x 14	1	
18	DC26 - 10153E	TRANS - FORMER	120V 50/60Hz	1	
19	DC60 - 20058B	SCREW - TAPPING	1 - 5 x 20	2	
20	DC61 - 10654D	COVER - TOP	PP	1	WHITE
21	DC96 - 00103A	ASSY - MAIN WIRE HARNESS	W751S, W752P	1	HOT+COLD

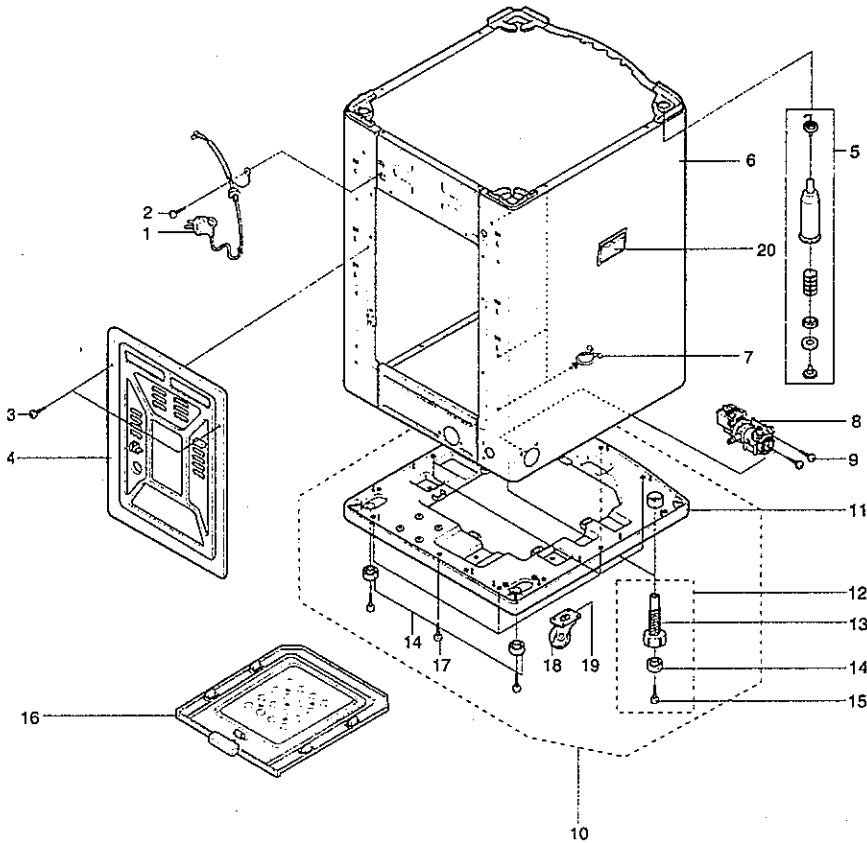
Parts Breakdown



Parts List

Location No.	Code No.	Description	Specification	Q'ty	Remarks
1	6002 - 000445	SCREW - TAPPING	2 - 4 x 18 STS	4	
2	DC61 - 10236A	COVER - TUB	PP	1	
3	DC66 - 50028B	PULSATOR - CAP	ABS	1	
4	DC91 - 11258S	ASS'Y - SCREW (PULSATOR)	M6 x 20.5 , STS	1	
5	DC66 - 50182A	PULSATOR	PP	1	
6	DC60 - 60003B	WASHER - PULSATOR	STS	1	
7	DC60 - 50004A	NUT - SPIN	ALDC M24	1	
8	DC60 - 60015A	WASHER - PLAIN	24.2 - 35 x T1.0 , STS304	1	
9	DC97 - 00113A	ASS'Y - S. BASKET SPIN	W752P	1	PP
	DC97 - 00155A	ASS'Y - S. BASKET SPIN	W751S	1	STS
9-1	DC97 - 00033A	ASS'Y BLANCER	PP, PANTON-COOL GRV	1	
9-2	DC61 - 60524A	GUIDE - W.F	WATER FALL (W752P)	1	PLASTIC
	DC61 - 00016A	GUIDE - W.F	WATER FALL (W751S)	1	STAINLESS
9-3	DC61 - 60525A	GUIDE - W.F	FILTER (W752P)	1	PLASTIC
	DC61 - 00015A	GUIDE - W.F	FILTER (W751S)	1	STAINLESS
9-4	DC61 - 30123A	BASKET - SPIN	PP (W752P)	1	PLASTIC
	DC61-30125A	BASKET - WRAPPER	STS (W751S)		
9-5	DC61 - 30124A	BASKET - BOWL	PP (W751S)	1	STAINLESS
9-6	DC66 - 40010A	FLANGE - SHAFT	ALDC	1	
9-7	DC60 - 20004E	SCREW - TAPPING		6	
10	DC97 - 00114A	ASS'Y - FILTER	PP	1	MAGIC FLITER
11	DC61 - 30100B	TUB - OUTER	PP	1	
12	DC62 - 10293A	HOSE - DRAIN	EPDM , 245 mm	1	PUMP
13	DC62 - 10092C	HOSE - PUMP	EPDM , 349.5 mm	1	PUMP
14	DC61 - 70063A	DIE - MOTOR	SBHG 1	1	
15	DC60 - 20064C	SCREW - TAPPING	2 - 6.2 x 20	8	
16	6046 - 000311	STAND-OFF	NYLON 66	5	
17	DC66 - 30027C	LINK	POM	1	BLK
18	DC31 - 20014D	MOTOR - DRAIN	110/120V 50/60Hz	1	
19	DC91 - 11258M	ASS'Y - SCREW	M5 x 15	1	
20	DC62 - 00015B	CONDENSER - M.F	250VAC 42uF	1	
21	DC61 - 40077A	HOLDER - CONDENSER	PP	1	
22	DC96 - 00104A	SCREW - TAPPING	1 - 5 x 20	2	
23	DC96 - 00104A	ASS'Y - WIRE HARNESS	W751S, W752P	1	
24	DC61 - 60026A	CUSHION - MOTOR	FRPP	2	
25	DC31 - 10025B	MOTOR - WASH	110/120V 50/60Hz	1	
26	DC91 - 11258U	ASS'Y - SCREW	M8 x 30	2	
27	DC66 - 10175A	PULLEY - MOTOR	60 Hz	1	
28	DC60 - 50150A	NUT - HEX	M6 x 6.5	1	
29	DC97 - 00347A	ASS'Y - SHAFT	SEM - 50D1	1	
30	DC60 - 80017B	PIN - LINK		1	PUMP
31	DC97 - 11258E	ASS'Y - SCREW	M8 x 20	4	
32	DC66 - 10145E	BELT - V	M20 (M20.1)	1	60 Hz
33	DC61 - 40053B	SADDLE	SBHG1 - A	1	
34	DC60 - 20064C	SCREW - TAPPING	6.2 x 20	2	

Parts Breakdown



Parts List

Location No.	Code No.	Description	Specification	Qty	Remarks
1	DC96 - 00038B	ASSY - POWER CORD	EP3	1	
2	DC60 - 10003C	SCREW - MACHINE	M4 x 8 BS	1	
3	DC60 - 20060A	SCREW - TAPPING		2	
4	DC61 - 10226A	COVER - BACK	PP	1	
5	DC91 - 11378H	ASSY - DAMPER	FRONT/WHITE	2	
	DC91 - 11378J	ASSY - DAMPER	REAR/YELLOW	2	
6	DC91 - 11919B	ASSY - FRAME	SBHG1 - A	1	PUMP
7	6046 - 000310	STAND - OFF		7	
8	DC90 - 11110C	ASSY - PUMP DRAIN	120/60Hz	1	
9	DC60 - 20054F	SCREW - TAPPING	1 - 4 x 14	4	
10	DC97 - 00398A	ASSY - BASE	PP	1	
11	DC61 - 30314A	BASE	PP	1	
12	DC97 - 00170A	ASSY - LEG		2	
13	DC61 - 50009C	LEG - ADJUST	FRPP	2	
14	DC61 - 50015B	LEG - RUBBER	BUTYL	4	
15	DC60 - 20054F	SCREW - TAPPING	1 - 4 x 14	4	
16	DC61 - 20211A	(PAN - SILENT) SHUTTER	PP	1	
17	DC60 - 20054F	SCREW - TAPPING	1 - 4	9	BASE
18	DC61 - 00114A	LEG - CASTER		4	
19	DC60 - 20054C	SCREW - TAP.TH	1 - 4 x 12	8	
20	DC61 - 20018P	HANDLE	PP	2	