



# Professional 800 Collections Smart Oven



<b>Description:</b>	9 pre-set cooking functions - , Bake, Heat, Grill, roast, toast, pizza, bagel. Temperature conversion button and frozen foods button. Non stick interior with 3 rack positions, convection fan, magnetic auto eject rack, dual wall door with tempered glass		
<b>Colour:</b>	Brushed stainless steel		
<b>Voltage:</b>	<b>AU/NZ</b>	<b>BOV800 - 230-240V 50Hz W</b>	<b>First Sale Date:</b>
	<b>CANADA</b>	<b>BREBOV800XL – 120V 60Hz 1800 W</b>	<b>First Sale Date:</b>
	<b>US</b>	<b>BOV800XL – 120V 60Hz 1800 W</b>	<b>First Sale Date:</b>
<b>Services:</b>	<p><b>English:</b> Parts are available as per Spare Parts listing. Availability of parts may vary depending on the country where the product is sold. Whilst the diagrams shows all parts available, but parts available for a particular country may differ.</p> <p><b>French:</b> Les pièces sont disponibles selon la liste des pièces de rechange. La disponibilité des pièces peuvent changer selon le pays où le produit est vendu. Tandis que les diagrammes montre toutes les pièces disponibles, mais celles-ci peut différer pour un pays particulier.</p> <p><b>Spanish:</b> Las partes de repuesto son disponibles al correspondido de la lista de partes de repuesto. Las partes disponible pueden diferenciar con acuerdo del país donde el producto sea vendido. Durante el diagrama demuestre que las partes de repuesto son disponibles, perro partes disponibles parra un país en particular pueden ser diferentes.</p>		

Spare Parts Listing

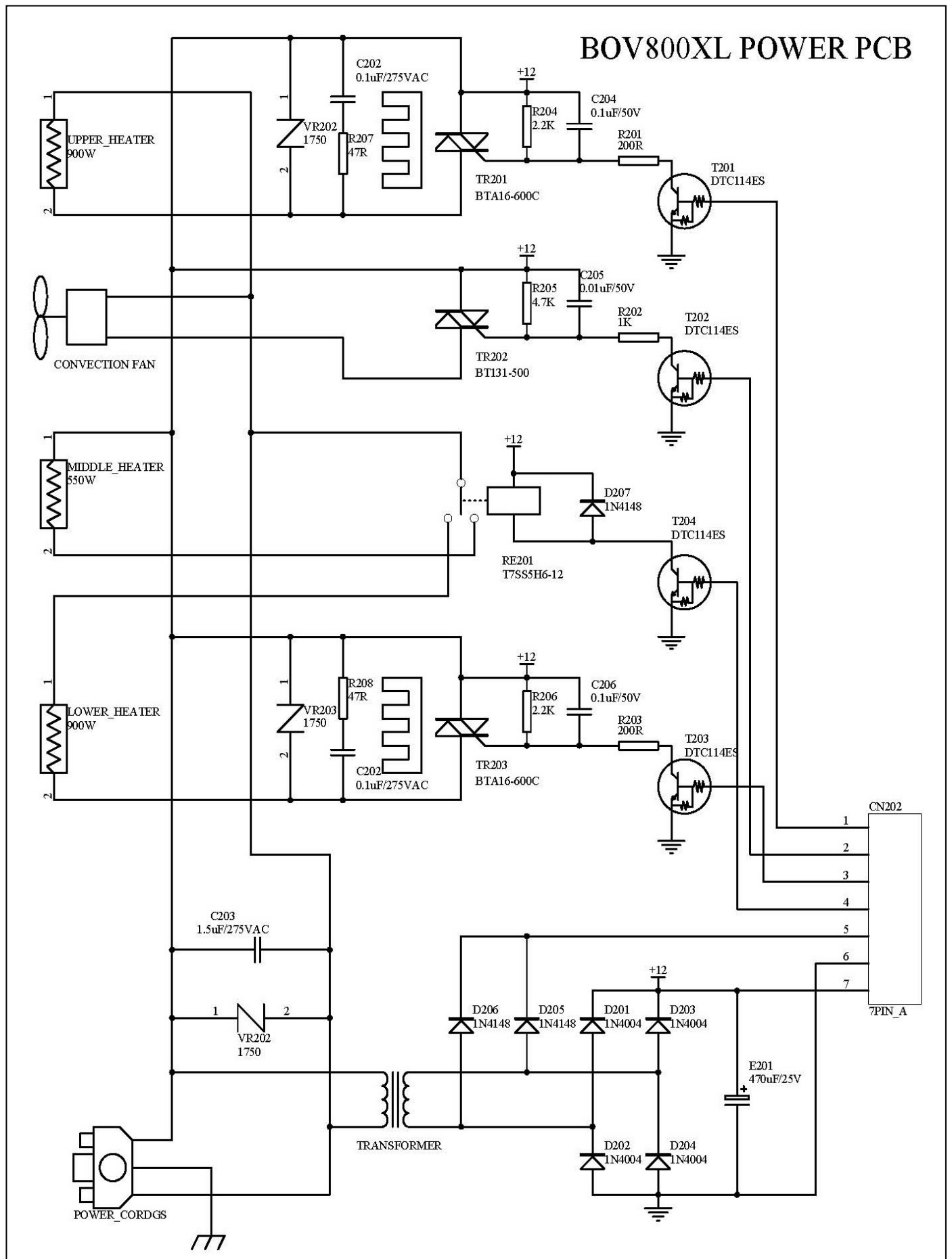
Note: Substitute Items only apply to AU/NZ

NO	CANADA	US	AU/NZ	DESCRIPTION	SUBS. ITEM
102	BPBOV800102	BOV800XL/102	N/A	Foot - Right	
119	BPBOV800119	BOV800XL/119	N/A	Foot - Left	
120	BPBOV800120	BOV800XL/120	N/A	Pizza Tray - Round	
123	BPBOV800123	BOV800XL/123	N/A	Baking Pan - Square	
124	BPBOV800124	BOV800XL/124	N/A	Broiling Pan - Square	
125	BPBOV800125	BOV800XL/125	N/A	Wire rack	
133	BPBOV800133	BOV800XL/133	N/A	Door assembly	
144	BPBOV800144	BOV800XL/144	N/A	Crumb Tray Assembly	
170	BPBOV800170	BOV800XL/170	N/A	Control PCB Assembly	
174	BPBOV800174	BOV800XL/174	N/A	Sensor Assembly	
184	BPBOV800184	BOV800XL/184	N/A	Power PCB Assembly	
193	BPBOV800193	BOV800XL/193	N/A	Transformer	
210	BPBOV800210	BOV800XL/210	N/A	Instruction Book	

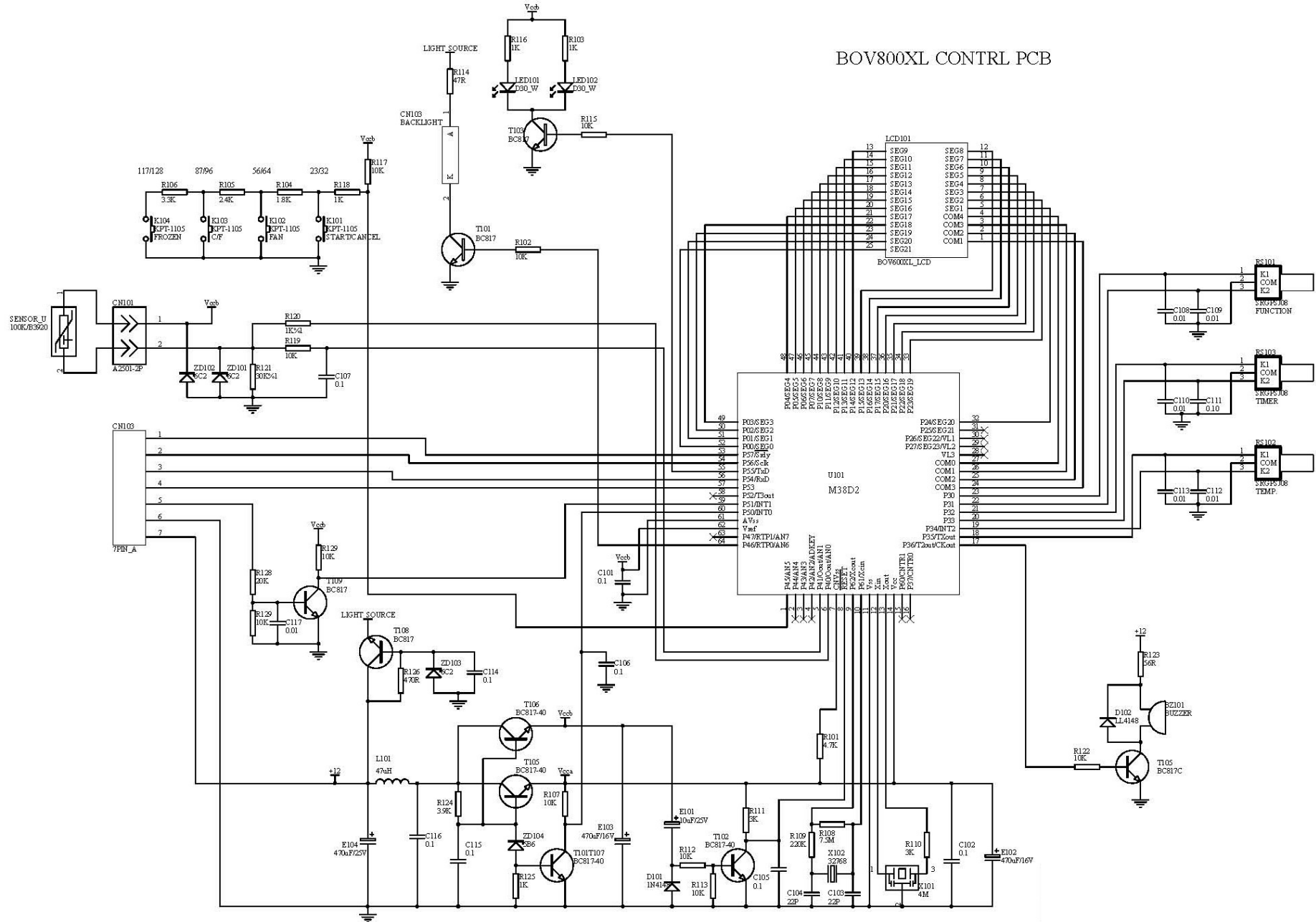
Other Pictures



# Circuit Diagram



# BOV800XL CONTRL PCB



Exploded View

