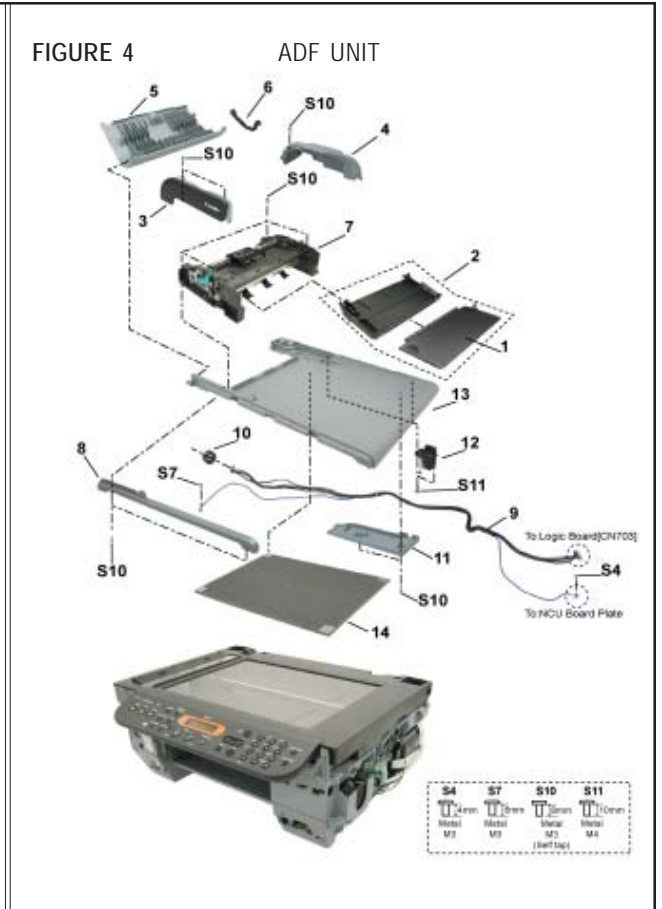
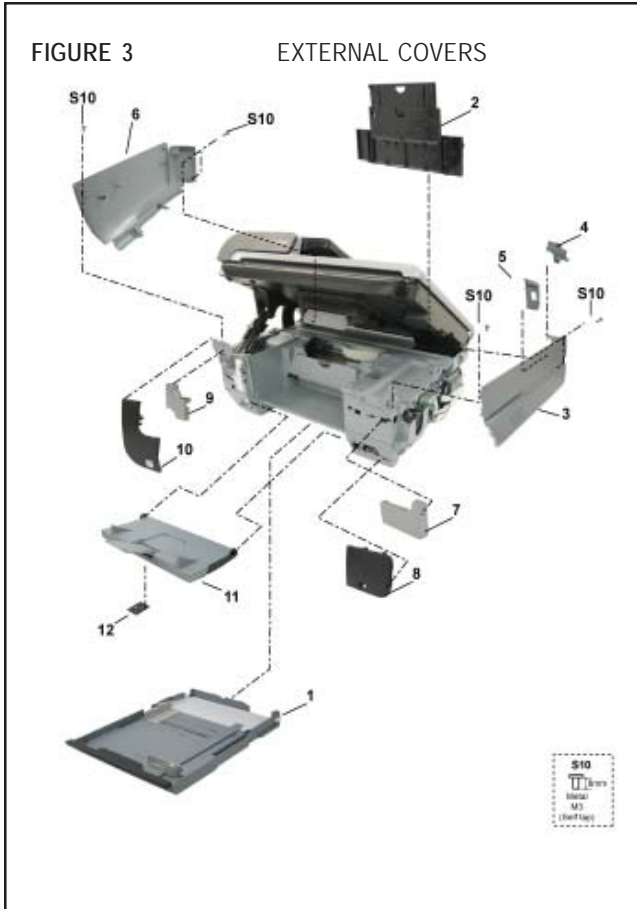
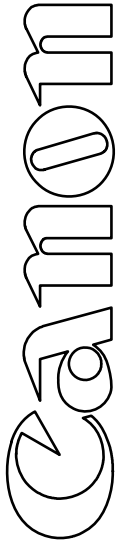


PIXMA MP530

PARTS CATALOG

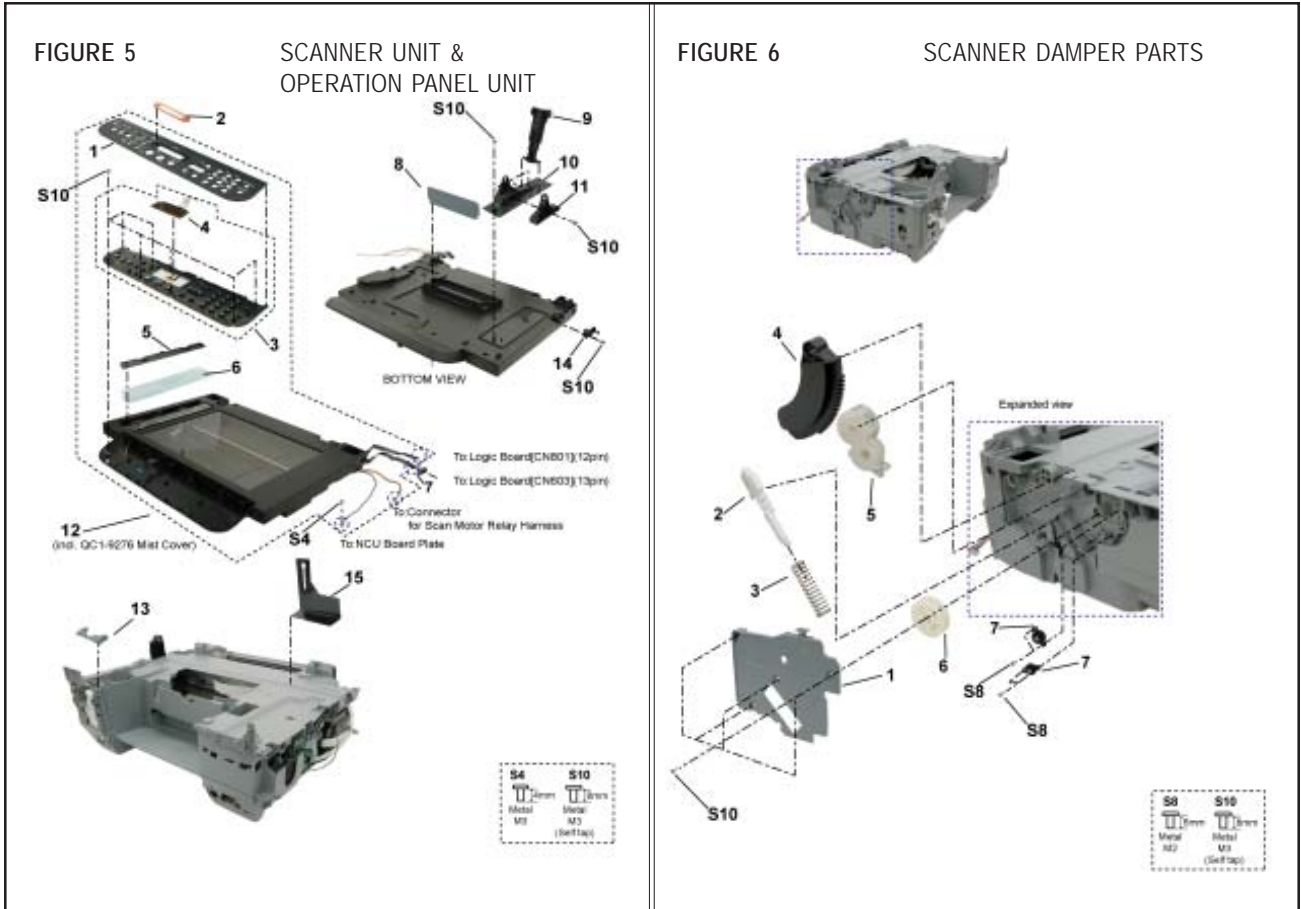
Canon

FIGURE 1 PACKING CONTENTS & PRINT HEAD			FIGURE 2 POWER SUPPLY UNIT		
					
NUM.	PART #	DESCRIPTION	NUM.	PART #	DESCRIPTION
1-	QY6-0059-000	PRINT HEAD	2-	QK1-2337-000	POWER SUPPLY UNIT 100V-240V 50/60Hz
2	QK1-0278-000	CORD, POWER 100V-120V			

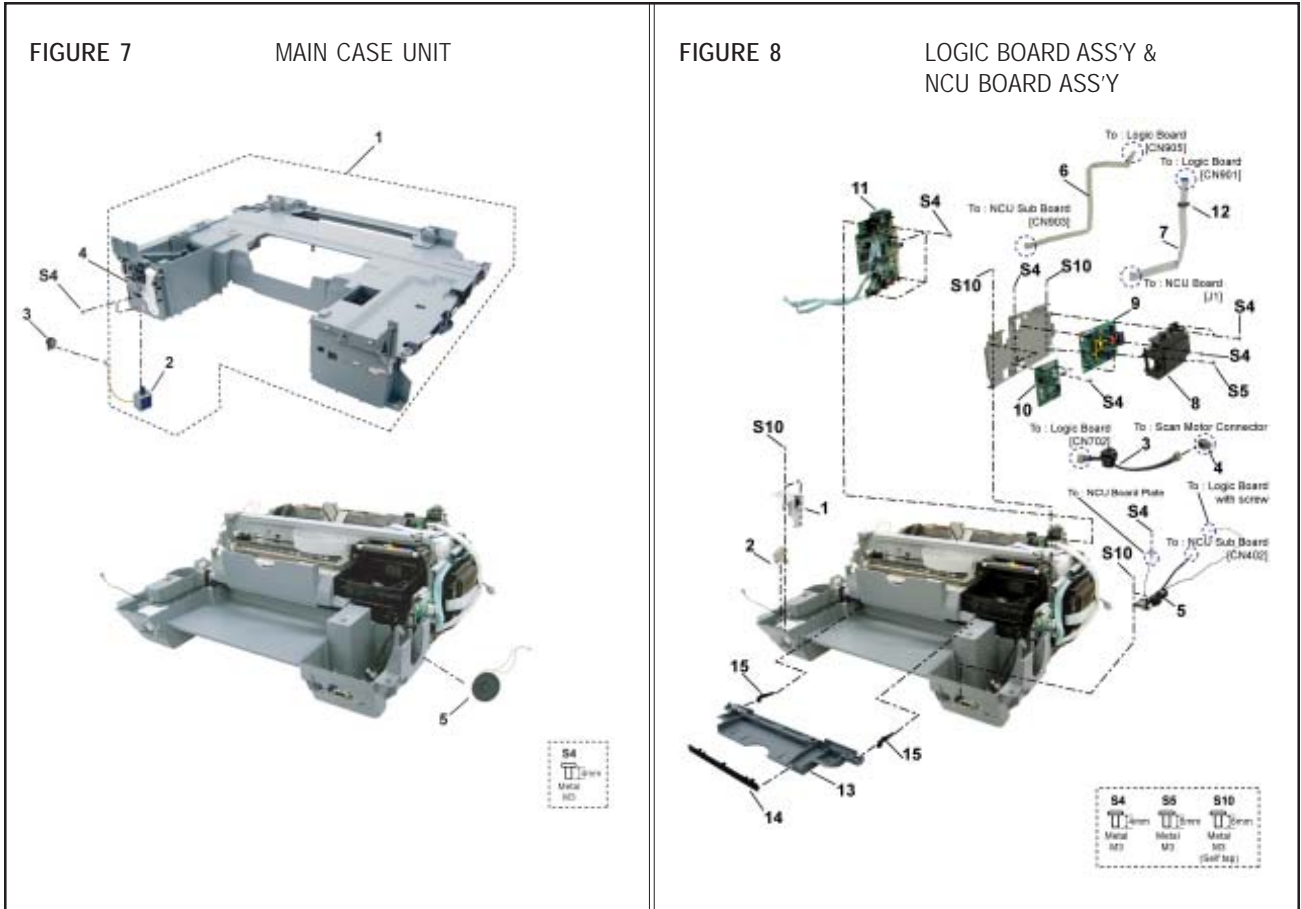


NUM.	PART #	DESCRIPTION
3-1	QM2-3627-000	CASSETTE UNIT
2	QM2-2900-000	PAPER SUPPORT UNIT
3	QC1-9352-000	SIDE COVER R
4	QC1-9368-000	GUIDE, DF CABLE
5	QC1-9353-000	COVER, MODULAR JACK
6	QC1-9351-000	SIDE COVER L
7	QC1-9333-000	MIDDLE PANEL R
8	QC1-9331-000	FRONT PANEL R
9	QC1-9332-000	MIDDLE PANEL L
10	QC1-9330-000	FRONT PANEL L
11	QM2-3611-000	FRONT DOOR UNIT
12	QC1-9024-000	EMBLEM, PIXMA

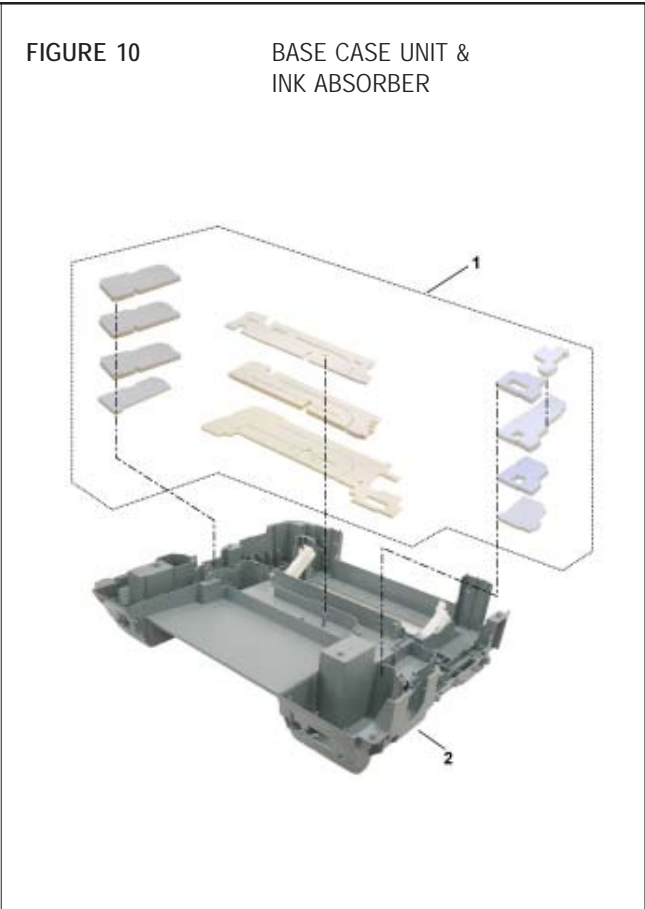
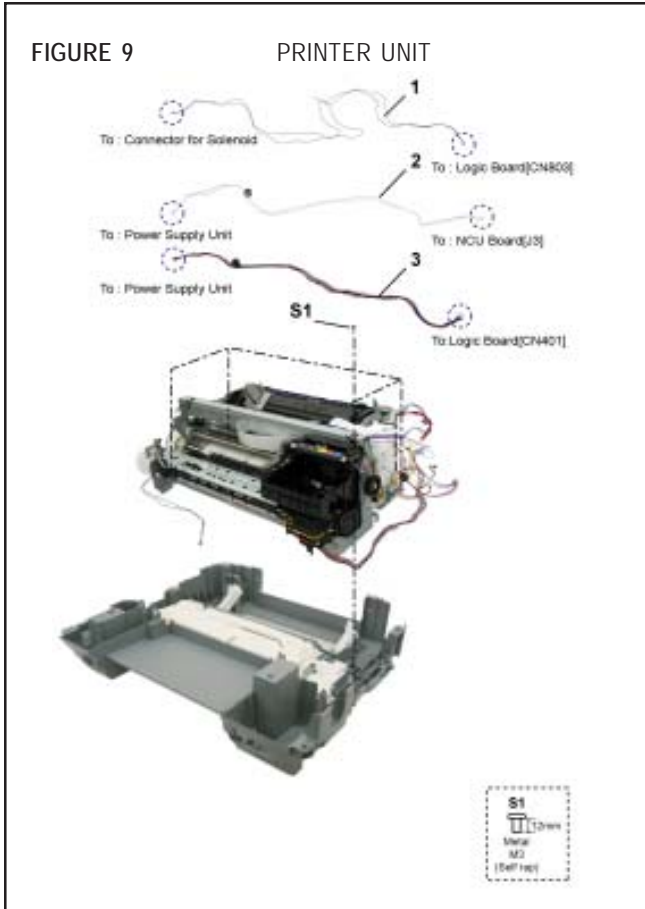
NUM.	PART #	DESCRIPTION
4-1	QC1-9306-000	DF TRAY
2	QM2-3624-000	DF TRAY UNIT
3	QM2-3636-000	DF FRONT COVER UNIT
4	QC1-9300-000	COVER, DF REAR
5	QC1-9296-000	COVER, DF
6	QC1-9301-000	DF STOP ARM
7	QM2-3629-000	DOCUMENT FEED UNIT
8	QL2-1382-000	COVER, DF GRIP
9	QM2-3729-000	ADF HARNESS UNIT
10	WE8-6417-000	CORE
11	QC1-9295-000	COVER, DF CABLE
12	QC1-9381-000	ADF HINGE (2)
13	QC1-9294-000	BASE, DF
14	QC1-7999-000	SHEET, DOCUMENT PRESSURE



NUM.	PART #	DESCRIPTION	NUM.	PART #	DESCRIPTION
5- 1	QC1-9314-000	COVER, PANEL	6- 1	QC1-9354-000	BASE, DAMPER
2	QC1-9316-000	LCD WINDOW	2	QC1-9374-000	CLICKER, DAMPER
3	QM2-3625-000	OPERATION PANEL UNIT	3	QC1-9359-000	SPRING, DAMPER
4	QK1-1896-000	LCD UNIT	4	QC1-9357-000	GEAR, DAMPER RACK
5	QC1-9266-000	HOLDER, DF GUIDE SHEET	5	QM2-3630-000	DAMPER SWING ARM UNIT
6	QC1-9267-000	SHEET, DF GUIDE	6	QC1-9373-000	GEAR 3, DAMPER
7	WE8-6418-000	CORE	7	HC1-1730-000	DAMPER (2)
8	QC1-9276-000	COVER, MIST			
9	QM2-3628-000	SCANNER STOP ARM UNIT			
10	QC1-9360-000	SCANNER LOCK ARM 1			
11	QC1-9370-000	SCANNER LOCK ARM 2			
12	QM2-3617-000	SCANNER UNIT incl. QC1-9276			
13	QC1-9372-000	HOOK, SCANNER LOCK			
14	QC1-9375-000	DAMPER JOINT			
15	QC1-9399-000	SHEET, FFC			

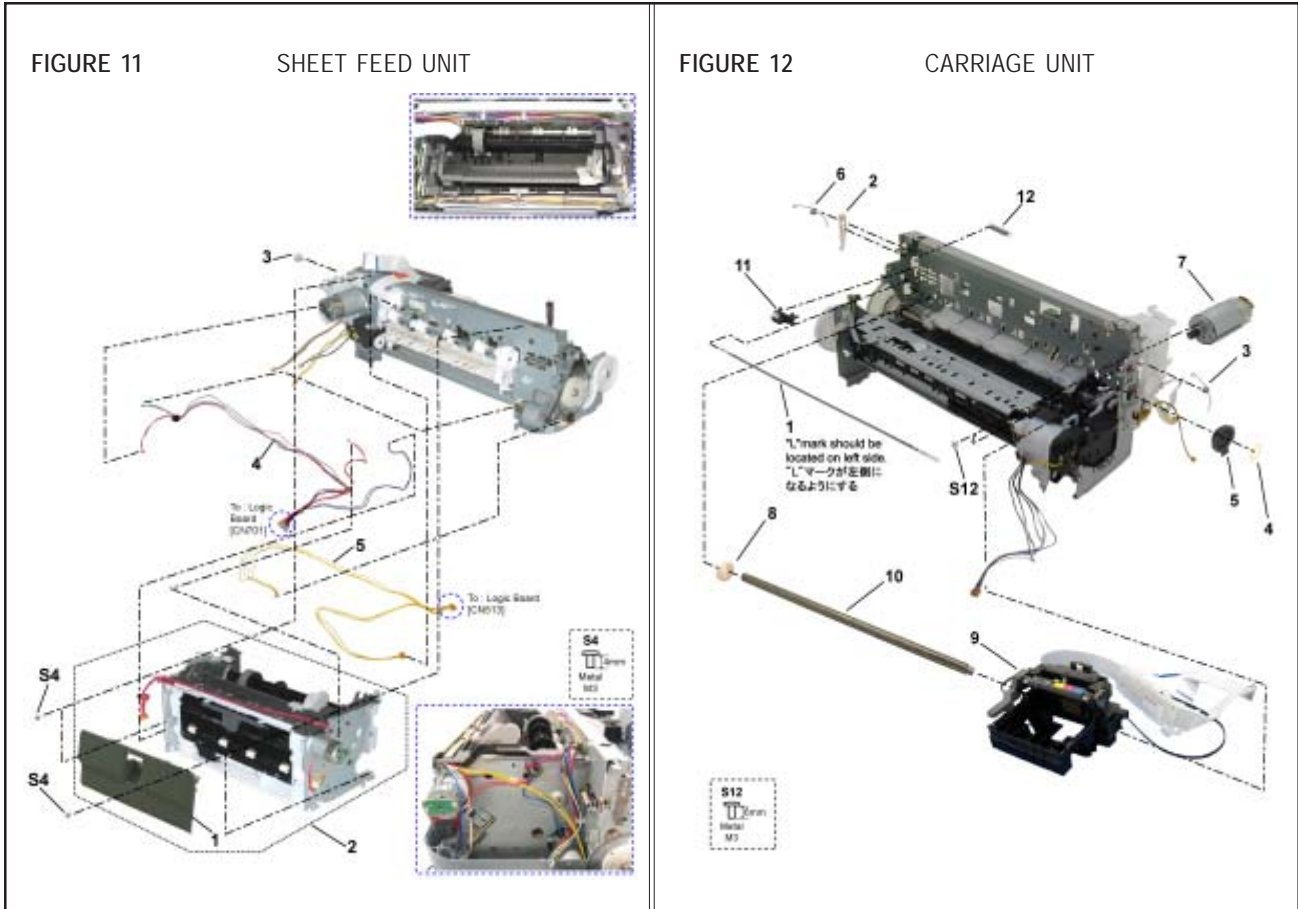


NUM.	PART #	DESCRIPTION	NUM.	PART #	DESCRIPTION
7- 1	QM2-3609-000	MAIN CASE UNIT	8- 1	QM2-3631-000	DAMPER, FRONT DOOR
2	QK1-2238-000	SOLENOID	2	QC1-9328-000	GEAR,DAMPER
3	VS1-7165-002	CONNECTOR, CABLE	3	QM2-3731-000	SCAN MOTOR RELAY HARNESS
4	QC1-9337-000	BUTTON, TRAY	4	VS1-7165-004	CONNECTOR, CABLE
5	QK1-2329-000	SPEAKER	5	QK1-2333-000	HARNESS, PICTBRIDGE
			6	QK1-2345-000	FFC, 9PIN
			7	QK1-2346-000	FFC, 15PIN
			8	QC1-9343-000	COVER, NCU
			9	QM2-3716-000	NCU BOARD ASS'Y
			10	QM2-3717-000	NCU SUB BOARD ASS'Y
			11	QM2-3637-000	LOGIC BOARD ASS'Y
			12	WE8-6418-000	CORE
			13	QM2-3626-000	INNER COVER UNIT
			14	QC1-6199-000	COVER, CDR TRAY BASE W/O CDR PRINTING
			15	QC1-6321-000	ARM, RELEASE (2)



NUM.	PART #	DESCRIPTION
9- 1	QM2-3726-000	SOLENOID RELAY HARNESS
2	QM2-3719-000	PSU-NCU HARNESS
3	QM2-3077-000	DC CONNECTOR ASS'Y

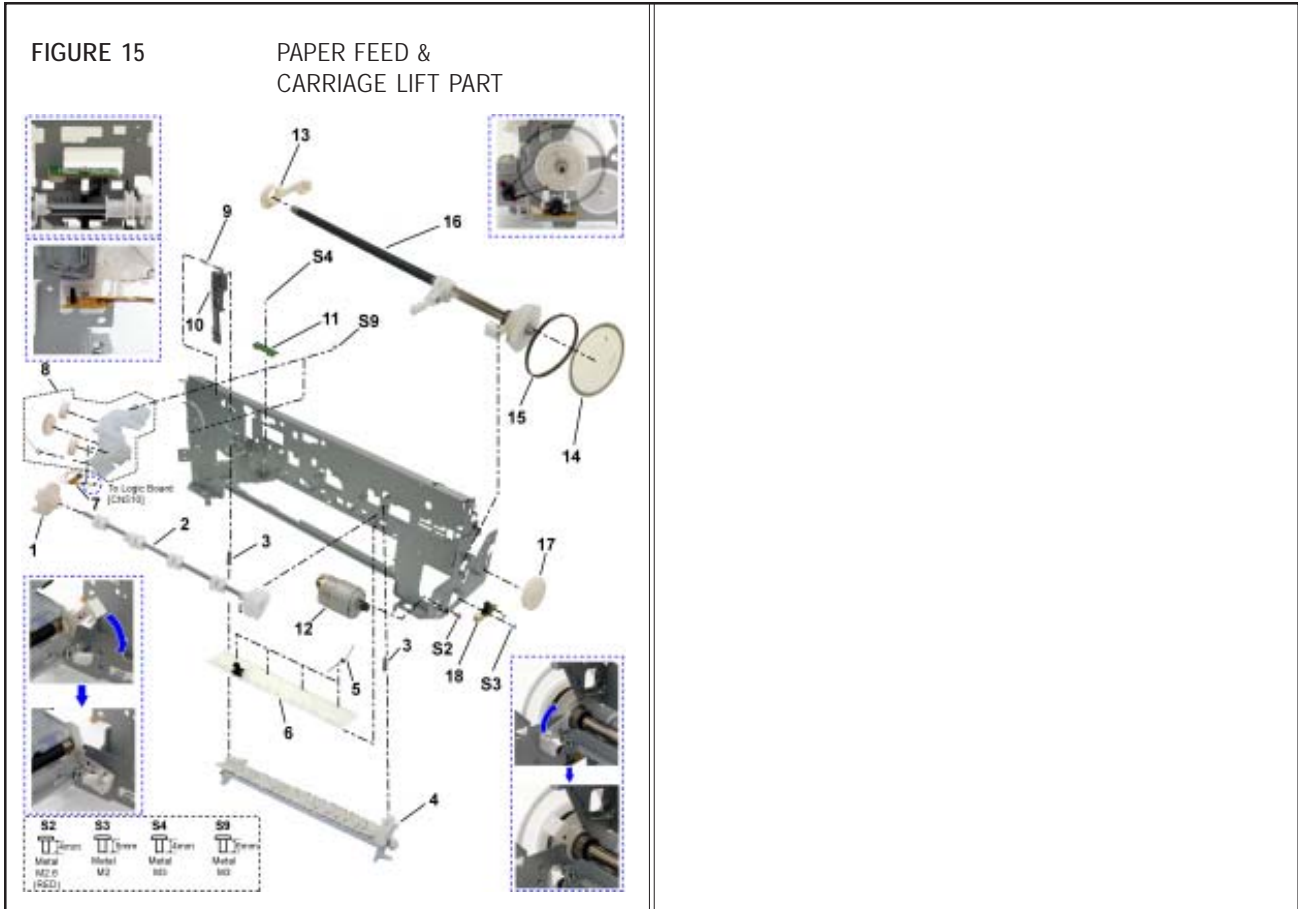
NUM.	PART #	DESCRIPTION
10- 1	QY5-0146-000	ABSORBER KIT
2	QM2-3610-000	BASE CASE UNIT



NUM.	PART #	DESCRIPTION	NUM.	PART #	DESCRIPTION
11- 1	QC1-9113-000	COVER, PAPER FEED GUIDE	12- 1	QC1-6394-000	FILM, TIMING SLIT STRIP
2	QM2-3616-000	SHEET FEED UNIT	2	QC1-6201-000	SPRING, LEAF
3	QC1-6213-000	GEAR, INPUT CARRIAGE LIFT	3	QC1-6207-000	CLIP, SHAFT R
4	QM2-3099-000	MOTOR MULTI HARNESS ASS'Y	4	QC1-6306-000	RING, CARRIAGE SHAFT
5	QM2-2685-000	SENSOR MULTI HARNESS ASS'Y	5	QC1-6209-000	CAM, CARRIAGE SHAFT R
			6	QC1-6206-000	CLIP, SHAFT L
			7	QK1-1500-000	MOTOR, CARRIAGE
			8	QC1-6208-000	CAM, CARRIAGE SHAFT L
			9	QM2-2922-000	CARRIAGE UNIT
			10	QC1-6203-000	SHAFT, CARRIAGE
			11	QL2-0938-000	IDLER PULLEY ASS'Y
			12	QC1-6202-000	SPRING, COIL

FIGURE 13 PLATEN UNIT			FIGURE 14 PURGE UNIT		
NUM.	PART #	DESCRIPTION	NUM.	PART #	DESCRIPTION
13- 1	QC1-6260-000	SPRING, TENSION	14- 1	QM2-2925-000	PURGE UNIT
2	QC1-6272-000	ABSORBER, INK	2	QC1-6499-000	COVER, INK TUBE
3	QM2-3614-000	PLATEN UNIT	3	QC1-6458-000	TUBE, INK
			4	QC1-6460-000	HOLDER, INK TUBE

Canon



NUM.	PART #	DESCRIPTION	NUM.	PART #	DESCRIPTION
15-	1	QC1-6216-000	CAM, SWING ARM LOCK		
	2	QL2-0936-000	PR LIFT SHAFT ASS'Y		
	3	QC1-6232-000	SPRING, TENSION (2)		
	4	QM2-2204-000	PAPER GUIDE UNIT		
	5	QC1-6226-000	SPRING, TORSION (4)		
	6	QM2-2201-000	PRESSURE ROLLER ASS'Y		
	7	QM2-3092-000	CARRIAGE LIFT SENSOR UNIT		
	8	QM2-2232-000	CARRIAGE LIFT GEAR BASE UNIT		
	9	QC1-6471-000	SPRING, TENSION		
	10	QC1-6217-000	LEVER, SWING ARM LOCK		
	11	QM2-2677-000	PE SENSOR UNIT		
	12	QK1-1502-000	MOTOR, PAPER FEED		
	13	QC1-6227-000	BUSHING		
	14	QC1-6229-000	FILM, TIMING SLIT DISK		
	15	QC1-6230-000	BELT, PAPER FEED		
	16	QL2-0925-000	FEED ROLLER ASS'Y		
	17	QC1-6225-000	GEAR, EJECT		
	18	QM2-2683-000	TIMING SENSOR UNIT		