

**SEARS**

OWNER'S  
MANUAL

MODEL NO.  
129.278010

**CAUTION:**  
Read Rules for  
Safe Operation  
and All Instruc-  
tions Carefully

**SAVE THIS  
MANUAL FOR  
FUTURE REFERENCE**

Thank You for Buying  
Craftsman Tools



**CRAFTSMAN®**  
Industrial  
*HEAT GUN*

- Electronic Thermocouple
- Variable Temp. 120°F. to 1050°F.

Warranty  
Safety Instructions  
Operation  
Maintenance  
Repair Parts



Listed  
Double Insulated

Designed exclusively for and sold only by  
SEARS, ROEBUCK AND CO., Hoffmann Estates, IL 60179

**UL WARNING!** Read this instruction book using. To reduce risk of fire or electric shock, do not expose to rain or moisture. Store indoors. When servicing, use only identical replacement parts. When using electric tools, basic safety precautions should always be followed to reduce the risk of fire, electric shock and personal injury. This Heat Gun operates a 1050 F with no visual indication of temperature (no flame). The hot air stream at the outlet nozzle will BURN FLESH. Do not turn on Heat Gun with hand in front of nozzle. DO NOT USE NEAR COMBUSTIBLE LIQUIDS. DO NOT USE FOR: heating gas engines; heating car batteries; thawing refrigerator equipment.

**FULL ONE YEAR WARRANTY ON CRAFTSMAN INDUSTRIAL VARIABLE TEMPERATURE HEAT GUN**

*If this Craftsman Industrial Heat Gun fails due to a defect in material or workmanship within one year from the date of purchase, Sears will repair it, free of charge.*

*This warranty applies only while this product is in use in the United States.*

**WARRANTY SERVICE IS AVAILABLE BY SIMPLY RETURNING THE TOOL TO (OR CONTACTING) THE NEAREST SEARS SERVICE CENTER/DEPARTMENT IN THE UNITED STATES.**

*This warranty gives you specific legal rights, and you may also have other rights which vary from state to state.*

*Sears, Roebuck and Co., Dept. 817 WA, Hoffmann Estates, IL 60179*

## RULES FOR SAFE OPERATION

**WARNING: DO NOT ATTEMPT TO OPERATE THIS TOOL UNTIL YOU HAVE READ THOROUGHLY AND UNDERSTAND COMPLETELY ALL INSTRUCTIONS, SAFETY RULES, ETC. CONTAINED IN THIS MANUAL. FAILURE TO COMPLY CAN RESULT IN ACCIDENTS INVOLVING FIRE, ELECTRIC SHOCK, OR SERIOUS PERSONAL INJURY. SAVE OWNER'S MANUAL AND REVIEW FREQUENTLY FOR CONTINUING SAFE OPERATION, AND INSTRUCTING POSSIBLE THIRD-PARTY USER.**

### READ ALL INSTRUCTIONS

- 1. KNOW YOUR POWER TOOL** – Read owner's manual carefully. Learn its applications and limitations as well as the specific potential hazards related to this tool.
- 2. GUARD AGAINST ELECTRICAL SHOCK BY PREVENTING BODY CONTACT WITH GROUNDED SURFACES.** For example: Pipes, radiators, ranges, refrigerator enclosures.
- 3. KEEP WORK AREA CLEAN.** Cluttered areas and benches invite accidents.
- 4. AVOID DANGEROUS ENVIRONMENT.** Don't use power tool in damp or wet locations or expose to rain. Keep work area well lit.
- 5. KEEP CHILDREN AND VISITORS AWAY.** All visitors should wear safety glasses and be kept a distance from work area. Do not let visitors contact tool or extension cord.
- 6. STORE IDLE TOOLS.** When not in use tools should be stored in a dry, high or locked-up place out of reach of children.
- 7. USE RIGHT TOOL.** Don't use tool for purpose not intended.
- 8. WEAR PROPER APPAREL.** No loose clothing or jewelry to get caught in moving parts. Rubber gloves and non-skid footwear are recommended when working outdoors. Also, wear protective hair covering to contain long hair and keep it from being drawn into air vents.
- 9. USE SAFETY GLASSES** with all tools.



10. **DON'T OVERREACH.** Keep proper footing and balance at all times.
11. **MAINTAIN TOOLS WITH CARE.** Keep tools clean.
12. **KEEP HANDLES DRY, CLEAN, AND FREE FROM OIL AND GREASE.** Always use a clean cloth when cleaning. Never use brake fluids, gasoline, petroleum-based products, or any strong solvents to clean your tool.
13. **STAY ALERT.** Watch what you are doing and use common sense. Do not operate tool when you are tired. Do not rush.
14. **DO NOT USE TOOL IF SWITCH DOES NOT TURN IT ON AND OFF.** Have defective switches replaced by an authorized service center.
15. **DRUGS, ALCOHOL, MEDICATION.** Do not operate tool while under the influence of drugs, alcohol, or any medication.
19. **COOL DOWN.** Set tool in the upright position to cool down. Do not lay on its side.
20. **DO NOT STORE UNTIL COOL.** Do not store tool until nozzle and accessory tips have cooled to room temperature. Place tool in a clear area away from combustible materials while cooling.
21. **DO NOT CUT OFF AIR FLOW** by placing nozzle too close to workpiece. Keep the air intake vents clean and clear of obstructions.
22. **HANDS FREE OPERATION.** Place tool on a level surface when using in an upright position. Place cord in a position that won't cause tool to tip over.
23. **ATTEND THE TOOL.** Do not leave tool unattended while running or cooling down.
24. **FIRE DANGER.** Keep a fully charged fire extinguisher nearby.
25. **DO NOT DIRECT AIR FLOW** directly on glass.

#### IMPORTANT SAFETY RULES FOR HEAT GUNS

16. **FLAMELESS HEAT.** This heat gun can produce up to 1050° F of flameless heat at the nozzle. Do not direct air stream at clothing, hair or other body parts. Do not use as a hair dryer.
17. **NEVER USE IN AN EXPLOSIVE ATMOSPHERE.** Do not use near flammable liquids or in an explosive environment (fumes, gases or dust). Remove materials or debris, that may become ignited, from work area.
18. **DANGER OF BURNS.** Always hold tool by plastic enclosure. The metal nozzle requires approximately 20 minutes to cool to where it can be touched. Do not touch nozzle or accessory tips until cool.
26. **SHIELD MATERIALS** around the heated area to prevent heat damage or fire.
27. **USE WITH** 120 Volt, 60 Hz, AC only power source.
28. **DO NOT USE TOOL IN WET CONDITIONS.** Use only in dry conditions. Do not use in bath or over water.
29. **KEEP CHILDREN OUT OF WORK AREA.** This tool is not a toy and should be respected. This tool burns flesh immediately.
30. **PROTECTIVE CLOTHING.** Leather gloves must be worn at all times when using the heat gun.
31. **STRIPPING PAINT.** See detailed instructions in this manual.

**WARNING:** Some dust created by power sanding, sawing, grinding, drilling, and other construction activities contains chemicals known (to the State of California) to cause cancer, birth defects or other reproductive harm. Some examples of these chemicals are:

- lead from lead-based paints,
- crystalline silica from bricks and cement and other masonry products, and
- arsenic and chromium from chemically-treated lumber.

Your risk from these exposures varies, depending on how often you do this type of work. To reduce your exposure to these chemicals: work in a well ventilated area, and work with approved safety equipment, such as those dust masks that are specially designed to filter out microscopic particles.

## DOUBLE INSULATED TOOLS

Tools marked with the words "Double insulated" are equipped with a two prong plug. These tools have a special insulation system that complies

with applicable standards of both Underwriter's Laboratories, Inc. and Canadian Standard Association. They do not require grounding.

## EXTENSION CORDS

Double insulated tools, like this one, have two prong cords, and can use either a two or three prong extension cord. As the distance from the supply outlet increases, however, heavier gauge extension cords are required. The use of extension cords of inadequate size wire causes a serious drop in voltage and loss of power. Protect the cord from damage. Keep cords away from excessive heat, sharp edges and damp or wet areas. Repair or replace damaged extension cords before using.

Ext. Cord Length	Wire Size
40 Ft.	16
85 Ft.	14
100 Ft.	12
170 Ft.	10
270 Ft.	8
400 Ft.	6
650 Ft.	4

## WARNING!

This tool is capable of producing temperatures up to 1050° F of flameless heat at the nozzle. ALWAYS:

- Direct the heat away from yourself and others.
- Prevent ignition of combustible materials on or near the workpiece.
- Prevent blockage of intake and nozzle openings.
- Keep a fully charged fire extinguisher on hand.
- Allow the nozzle and accessory tips to cool to room temperature before storage.

## IMPORTANT SAFETY INSTRUCTIONS. READ THESE INSTRUCTIONS!

**WARNING:** Hidden areas such as behind walls, ceilings, floors, soffit boards, and other panels may contain flammable materials that could be ignited by the heat gun when working in these locations. The ignition of these materials may not be readily apparent and could result in property damage and injury to persons. Do not use if in doubt about this hazard. When working in these locations, keep the heat gun moving in a back-and-forth motion. Lingering or pausing in one spot could ignite the panel or the material behind it. The Heat Gun should be used on LOW temperature which is approximately at 650° F on the LED indicator.

## PAINT STRIPPING

**WARNING:** Extreme care should be taken when stripping paint. The peelings, residue and vapors of paint may contain lead, which is poisonous. Any pre-1977 paint may contain lead and paint applied to homes prior to 1950 is likely to contain lead. Once deposited on surfaces, hand to mouth contact can result in the ingestion of lead. Exposure to even low levels of lead can cause irreversible brain and nervous system damage; young and unborn children are particularly vulnerable.

Before beginning any paint removal process you should determine whether the paint you are removing contains lead. This can be done by your

local health department or by a professional who used a paint analyzer to check the lead content of the paint to be removed.

**LEAD-BASED PAINT SHOULD ONLY BE REMOVED  
BY A PROFESSIONAL AND SHOULD NOT BE REMOVED USING A HEAT GUN.**



---

## PERSONS REMOVING PAINT SHOULD FOLLOW THESE GUIDELINES.

1. Move the work piece outdoors. If this is not possible, keep the work area well ventilated. Open the windows and put an exhaust fan in one of them. Be sure the fan is moving the air from inside to outside.
2. Remove or cover any carpets, rugs, furniture, clothing, cooking utensils and air ducts.
3. Place drop cloths in the work area to catch any paint chips or peelings. Wear protective clothing such as extra work shirts, overalls and hats.
4. Work in one room at a time. Furnishings should be removed or placed in the center of the room and covered. Work areas should be sealed off from the rest of the dwelling by sealing doorways with drop cloths.
5. Children, pregnant or potentially pregnant women and nursing mothers should not be present in the work area until the work is done and all clean up is complete.
6. Wear a dust respirator mask or a dual filter (dust and fume) respirator mask which has been approved by the Occupational Safety and Health Administration (OSHA), the National Institute of Safety and Health (NIOSH), or the United States Bureau of Mines. These masks and replaceable filters are readily available at major hardware stores. Be sure the mask fits. Beards and facial hair may keep masks from sealing properly. Change filters often.  
**DISPOSABLE PAPER MASKS ARE NOT ADEQUATE.**
7. Use caution when operating the heat gun. Keep the heat gun moving as excessive heat will generate fumes which can be inhaled by the operator.
8. Keep food and drink out of the work area. Wash hands, arms and face and rinse mouth before eating or drinking. Do not smoke or chew gum or tobacco in the work area.
9. Clean up all removed paint and dust by wet mopping the floors. Use a wet cloth to clean all walls, sills and any other surface where paint or dust is clinging. **DO NOT SWEEP, DRY DUST OR VACUUM.** Use a high phosphate detergent or trisodium phosphate (TSP) to wash and mop areas.
10. At the end of each work session put the paint chips and debris in a double plastic bag, close it with tape or twist ties, and dispose of properly.
11. Remove protective clothing and work shoes in the work area to avoid carrying dust into the rest of the dwelling. Wash work clothes separately. Wipe shoes off with a wet rag that is then washed with the work clothes. Wash hair and body thoroughly with soap and water.

---

**SAVE THESE INSTRUCTIONS!**

---

# OPERATION

**WARNING:** The Heat Gun provides a low velocity stream of hot air providing rapid heating for applications such as stripping paint, thawing frozen pipes, forming plastics, soldering copper pipe and applying heat shrinkable tubing. The proper amount of heat for each application is dependent upon temperature range selected distance between nozzle and workpiece and length of time heat is applied. The recommended procedure is to experiment with scrap materials and start with lowest temperature range. Use care in approaching the work until the proper combination of heat, distance and time of application has been obtained. It is generally best to use a gentle back and forth motion when applying heat unless it has been determined that a concentrated heat is desirable.

## TECHNICAL SPECIFICATIONS

Voltage:	120 volts AC
Output:	1500 watts
Temperature: Step 1:	120° F
Step 2:	(120° F – 1050° F)
Indicator range (6 LEDs):	120° F 210° F 360° F 650° F 850° F 1050° F
Air flow: Step 1:	17.6 cfm
Step 2:	9.5 cfm
Step 3:	17.6 cfm
Weight:	30 oz. with cord and plug

## OPERATING CONTROLS

1. Nozzle
2. Heat Protector on Nozzle
3. LED Temperature Indication
4. Temperature Control Dial
5. Thermo Couple Control
6. ON/OFF and Air Flow Switch

## MAINTENANCE AND CARE

Always disconnect the power plug before performing any work on the tool.

The air inlets on the rear sides of the tool must be kept free of dust and dirt. Avoid using the tool in a dusty environment as dust inside the tool will cause the tool to malfunction.

The power cord will be damaged if touched by the hot metal nozzle or accessories.

The tool requires no lubrication.

### WARNING:



The operation of any power tool can result in foreign objects being thrown into your eyes, which can result in severe eye damage. Before commencing power tool operation, always wear safety goggles or safety glasses with slide shields and a full face shield when needed. We recommend Wide Vision Safety Mask for use over spectacles or standard safety glasses with side shields, available at Sears Retail Stores.



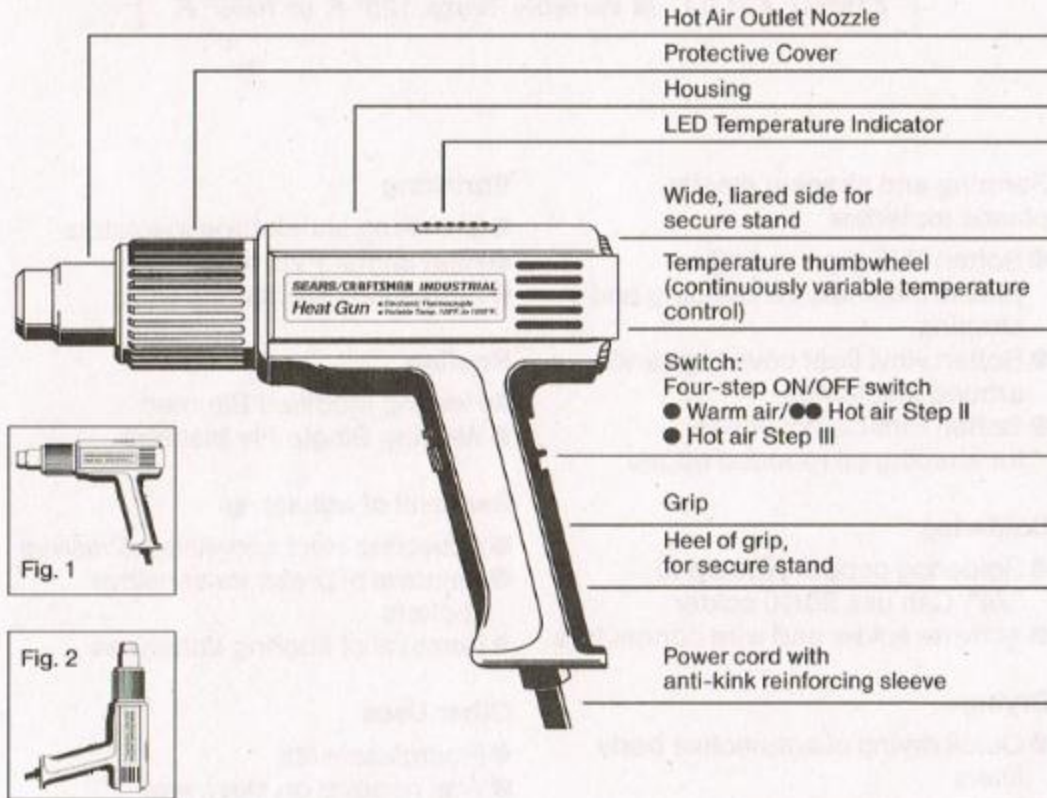
# OPERATION

## "BEFORE START-UP"

Read this entire manual before turning the tool on.

Be sure you have a 120 Volt, 60 Hz, AC power source.

Be sure the switch is in the "off" position.



To operate the Heat Gun, plug the cord into a 120 Volt, 60 Hz, AC power source. Be sure the power switch is in the OFF position.

The Heat Gun has a four position power switch (see „switch“ above). Be sure the unit is pointed away from yourself and materials before turning unit on.

The temperature can be adjusted by rotating the thumb wheel on the rear of the unit. Number 1 is 120° F and number 15 1050° F. The LED indicators on the top of the unit indicate the approximate temperature of the output air flow. PLEASE

NOTE: The temperature cannot be adjusted when using the warm air switch position.

The air flow can be adjusted to a low flow, step II; and high flow, step III.

The unit may be used in a hand held position (Fig. 1) or in a hands free upright position (Fig. 2) on a flat level surface. When using the unit in the upright position, the tool should be clamped to the surface and the power cord should be placed in a position to prevent tripping over the cord.

## USES FOR YOUR:

**SEARS CRAFTSMAN** Industrial

**Heat Gun** ■ *Electronic Thermocouple*  
■ *Variable Temp. 120° F. to 1050° F.*

### **Forming and shaping plastic, plastic materials**

- Soften PVC pipe and other plastic materials for bending and shaping
- Soften vinyl floor coverings and around mouldings
- Soften formica coverings for shaping on rounded edges

### **Soldering**

- Soldering copper pipe up to 3/4". Can use 90/10 solder
- Activate solder and wire connectors

### **Drying**

- Quick drying of automotive body fillers
- Drying paint samples
- Drying plaster filling compounds

### **Thawing**

- Thaw frozen water pipes
- Thaw frozen locks

### **Shrinking**

- Shrinking shrink tube insulators
- Heat shrink PVC tubes
- Heat shrink packaging wrap

### **Roofing**

- Heating Modified Bitumen
- Welding Single Ply Material

### **Removal of adhesives**

- Activating Heat sensitive adhesives
- Removal of pressure sensitive stickers
- Removal of flooring adhesives

### **Other Uses**

- Fiberglass work
- Wax removal on skies and surfboards
- Apply hot patches
- Paint stripping
- Softening hardened window glazing
- Plastic welding

**CAUTION:** It is recommended that the user experiment on scrap materials before using for a specific task.



## ACCESSORIES

**THE FOLLOWING RECOMMENDED ACCESSORIES ARE CURRENT AND WERE AVAILABLE AT THE TIME THIS MANUAL WAS PRINTED.**



9-11802; 3" inch Surface Nozzle  
Provides an even distribution of hot air over a large surface.



9-11803; 3" inch Window Nozzle  
Designed with deflector to direct hot air away from glass and other delicate surfaces to prevent overheating.



9-11804; 1 3/16" inch Reflector Nozzle  
Reflects hot air flow around surfaces of small-diameter, heat-sensitive materials for smooth, even heating.



9-11809; 3" inch Reflector Nozzle  
Reflects hot air flow around surfaces of large-diameter, heat-sensitive materials for smooth, even heating.



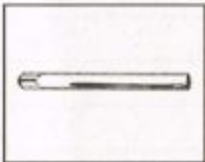
9-11806; 3/4" inch Reduction Nozzle  
Concentrates hot air flow and pinpoints it onto a limited area.



9-11805; 5/16" inch Reduction Nozzle  
Concentrates hot air flow and pinpoints it onto a limited area.



9-11807; Slit Welding Nozzle  
Use with 5/16" inch Reduction Nozzle 9-11805 (sold separately) to concentrate hot air flow for lap welding plastic and rubber sheeting.



9-11808; Polystyrene Foam Cutting Blade  
Use with 5/16" inch Reduction Nozzle 9-11805 (sold separately) to make smooth straight or curved cuts in polystyrene foam.

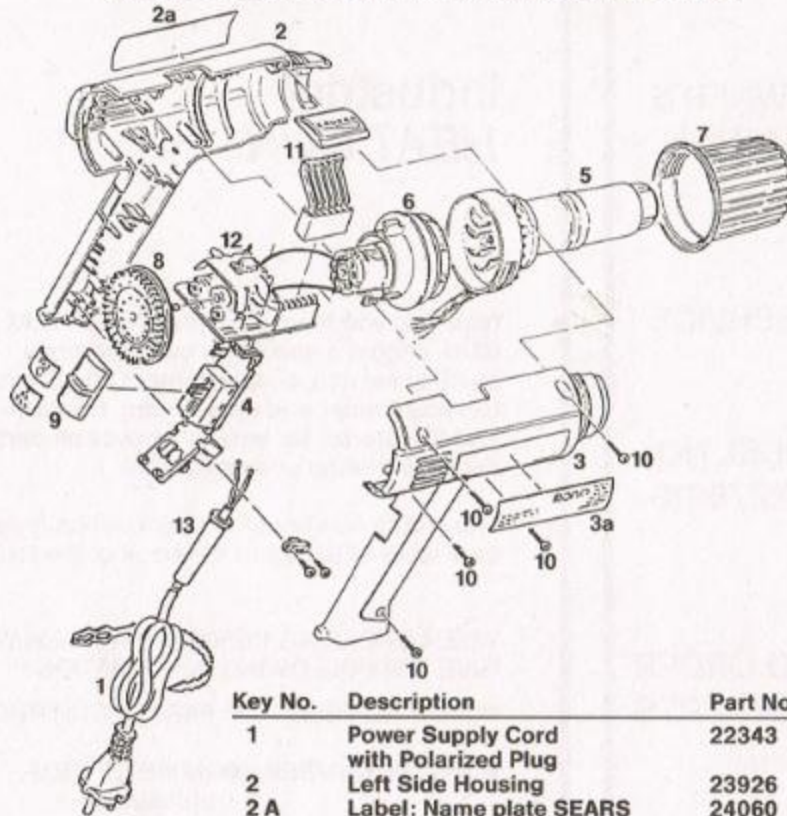




## CRAFTSMAN HEAT GUN – MODEL NO. 129.278010

The Model Number will be found on a plate on the Housing. Always mention the Model Number in all correspondence regarding your Industrial Heat Gun or when ordering repair parts.

SEE BACK PAGE FOR PARTS ORDERING INSTRUCTIONS.



Key No.	Description	Part No.	Quantity
1	Power Supply Cord with Polarized Plug	22343	1
2	Left Side Housing	23926	1
2 A	Label: Name plate SEARS	24060	1
3	Right Side Housing	23927	1
3 A	Label: Type specification SEARS	24061	1
4	Switch and PC Board	24044	1
5	Heating Element	25724	1
6	Motor and Fan	25721	1
7	Nozzle Protection Tube	23932	1
8	Adjustable Cool Air Inlet for Regulating Temperature	21837	1
9	Switch Button	24017	1
10	Screws	22072	5
11	Fiber Optic Light Guide + Screen	25403	1
12	Cooling Plate + Triac	25144	1
13	Cord Holddown Plate + Screws	22076	
	Owner's Manual (non-ill)	220770	

**Note:**

The assembly shown represents an important part of the double insulated system. To avoid the possibility of alterations or damage to the system, service should be performed by your nearest "SEARS" repair center. Contact your nearest "SEARS" store.

**SEARS**

OWNER'S  
MANUAL

SERVICE

MODEL NO.  
129.278010

HOW TO ORDER  
REPAIR PARTS

**CRAFTSMAN®**

## Industrial HEAT GUN

Now that you have purchased your HEAT GUN, should a need ever exist for repair parts or service, simply contact any Sears Service Center and most Sears, Roebuck and Co. stores. Be sure to provide all pertinent facts when you call or visit.

The model number of this tool will be found on a label attached to the body of the tool.

WHEN ORDERING REPAIR PARTS, ALWAYS GIVE THE FOLLOWING INFORMATION:

- PART NUMBER
- PART DESCRIPTION
- MODEL NUMBER
- NAME OF ITEM  
Industrial  
HEAT GUN

All parts listed may be ordered from any Sears Service Center and most Sears Stores.

If the parts you need are not stocked locally, your order will be electronically transmitted to a Sears Repair Parts Distribution Center for handling.

SEARS, ROEBUCK AND CO., Hoffmann Estates, IL 60179

Owner's Manual  
220770

2406302