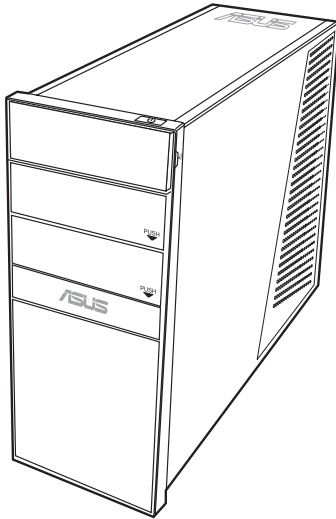


ASUS Essentio Desktop PC

CG5275

User Manual



E5150

First Edition V1

October 2009

Copyright © 2009 ASUSTeK Computer Inc. All Rights Reserved.

No part of this manual, including the products and software described in it, may be reproduced, transmitted, transcribed, stored in a retrieval system, or translated into any language in any form or by any means, except documentation kept by the purchaser for backup purposes, without the express written permission of ASUSTeK Computer, Inc. ("ASUS").

Products and corporate names mentioned in this manual may or may not be registered trademarks or copyrights of their respective companies, and are used for identification purposes only. All trademarks are the property of their respective owners.

Every effort has been made to ensure that the contents of this manual are correct and up to date. However, the manufacturer makes no guarantee regarding the accuracy of its contents, and reserves the right to make changes without prior notice.

Contents

Notices	4
Safety information	7
Notes for this manual	8
Welcome	9
Package contents	9
Knowing your Desktop PC	10
Front / Rear panel features	10
Setting up your Desktop PC.....	13
Connecting devices.....	13
Connecting the power	14
Pressing the power button to turn on the system.....	14
Using your system	15
Using the optical drive	15
Inserting a disc.....	15
Ejecting a disc	15
Using the card reader	15
Connecting to speakers.....	16
Configuring audio output settings.....	16
Introducing the utilities	18
ASUS AI Manager	18
Installing AI Manager.....	18
Launching AI Manager.....	18
AI Manager quick bar	19
Recovering your system	22
Using the recovery DVD	22
Quickly recover your system	23
Troubleshooting	24

Notices

REACH

Complying with the REACH (Registration, Evaluation, Authorisation, and Restriction of Chemicals) regulatory framework, we published the chemical substances in our products at ASUS REACH website at <http://green.asus.com/english/REACH.htm>

Federal Communications Commission Statement

This device complies with Part 15 of the FCC Rules. Operation is subject to the following two conditions:

- This device may not cause harmful interference; and
- This device must accept any interference received including interference that may cause undesired operation.

This equipment has been tested and found to comply with the limits for a Class B digital device, pursuant to Part 15 of the FCC Rules. These limits are designed to provide reasonable protection against harmful interference in a residential installation. This equipment generates, uses and can radiate radio frequency energy and, if not installed and used in accordance with manufacturer's instructions, may cause harmful interference to radio communications. However, there is no guarantee that interference will not occur in a particular installation. If this equipment does cause harmful interference to radio or television reception, which can be determined by turning the equipment off and on, the user is encouraged to try to correct the interference by one or more of the following measures:

- Reorient or relocate the receiving antenna.
- Increase the separation between the equipment and receiver.
- Connect the equipment to an outlet on a circuit different from that to which the receiver is connected.
- Consult the dealer or an experienced radio/TV technician for help.



The use of shielded cables for connection of the monitor to the graphics card is required to assure compliance with FCC regulations. Changes or modifications to this unit not expressly approved by the party responsible for compliance could void the user's authority to operate this equipment.

RF exposure warning

This equipment must be installed and operated in accordance with provided instructions and the antenna(s) used for this transmitter must be installed to provide a separation distance of at least 20 cm from all persons and must not be co-located or operating in conjunction with any other antenna or transmitter. End-users and installers must be provide with antenna installation instructions and transmitter operating conditions for satisfying RF exposure compliance.

Canadian Department of Communications Statement

This digital apparatus does not exceed the Class B limits for radio noise emissions from digital apparatus set out in the Radio Interference Regulations of the Canadian Department of Communications.

This class B digital apparatus complies with Canadian ICES-003.

Macrovision Corporation Product Notice

This product incorporates copyright protection technology that is protected by method claims of certain U.S. patents and other intellectual property rights owned by Macrovision Corporation and other rights owners. Use of this copyright protection technology must be authorized by Macrovision Corporation, and is intended for home and other limited viewing uses only **unless otherwise authorized by Macrovision Corporation**. Reverse engineering or disassembly is prohibited.

Lithium-Ion Battery Warning

CAUTION: Danger of explosion if battery is incorrectly replaced. Replace only with the same or equivalent type recommended by the manufacturer. Dispose of used batteries according to the manufacturer's instructions.

VORSICHT: Explosionsgefahr bei unsachgemäßen Austausch der Batterie. Ersatz nur durch denselben oder einem vom Hersteller empfohlenem ähnlichen Typ. Entsorgung gebrauchter Batterien nach Angaben des Herstellers.

Safety information

Your ASUS Desktop PC is designed and tested to meet the latest standards of safety for information technology equipment. However, to ensure your safety, it is important that you read the following safety instructions.

Setting up your system

- Read and follow all instructions in the documentation before you operate your system.
- Do not use this product near water or a heated source such as a radiator.
- Set up the system on a stable surface.
- Openings on the chassis are for ventilation. Do not block or cover these openings. Make sure you leave plenty of space around the system for ventilation. Never insert objects of any kind into the ventilation openings.
- Use this product in environments with ambient temperatures between 0°C and 35°C.
- If you use an extension cord, make sure that the total ampere rating of the devices plugged into the extension cord does not exceed its ampere rating.

Care during use

- Do not walk on the power cord or allow anything to rest on it.
- Do not spill water or any other liquids on your system.
- When the system is turned off, a small amount of electrical current still flows. Always unplug all power, modem, and network cables from the power outlets before cleaning the system.
- If you encounter the following technical problems with the product, unplug the power cord and contact a qualified service technician or your retailer.
 - The power cord or plug is damaged.
 - Liquid has been spilled into the system.

- The system does not function properly even if you follow the operating instructions.
- The system was dropped or the cabinet is damaged.
- The system performance changes.

LASER PRODUCT WARNING

CLASS 1 LASER PRODUCT

NO DISASSEMBLY

The warranty does not apply to the products that have been disassembled by users



DO NOT throw the Desktop PC in municipal waste. This product has been designed to enable proper reuse of parts and recycling. This symbol of the crossed out wheeled bin indicates that the product (electrical and electronic equipment) should not be placed in municipal waste. Check local regulations for disposal of electronic products.



DO NOT throw the mercury-containing button cell battery in municipal waste. This symbol of the crossed out wheeled bin indicates that the battery should not be placed in municipal waste.

Notes for this manual

To make sure that you perform certain tasks properly, take note of the following symbols used throughout this manual.



WARNING: Vital information that you **MUST** follow to prevent injury to yourself.



IMPORTANT: Instructions that you **MUST** follow to complete a task.



TIP: Tips and useful information that help you complete a task.



NOTE: Additional information for special situations.

Welcome

Congratulations on your purchase of the ASUS Desktop PC. The package contents of your new Desktop PC are listed below but may vary with models. ASUS reserves the right to replace components or accessories to provide optimum serviceability. Contact your retailer if any item is damaged or missing.

Package contents

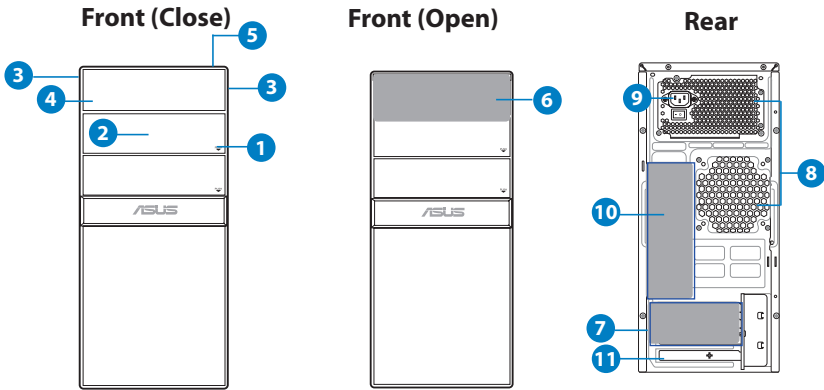
- ASUS Essentio Desktop PC x1
- Keyboard x1
- Mouse x1
- Power cord x1
- Support DVD x1
- Recovery DVD x1
- Installation Guide x1
- Warranty card x1
- Antenna (optional) x2












Visit the ASUS website at <http://support.asus.com> for any updates.

Knowing your Desktop PC








Front / Rear panel features



*The gray areas contain front/rear panel ports. These ports and their locations may vary, depending on the model of your system.





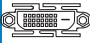
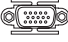


No.	Button/Port	Description
1.	 PUSH	Optical drive eject button.
2.		Optical drive bay cover.
3.		Open the front panel cover.
4.		Front panel cover.
5.		Power button
6.	 USB 2.0 ports	Connect to USB devices such as a mouse, keyboard, or camera.
	 Headphone jack	Plug a stereo or headphones into this jack.
	 Microphone jack	Plug a microphone into this jack.
	 CompactFlash®/ Microdrive™ card slot	Insert a CompactFlash®/ Microdrive™ card into this slot.

continued on the next page

No.	Slot/Port	Description
6.	 MemoryStick®/ Memory Stick Pro™ card slot	Insert a MemoryStick®/ Memory Stick Pro™ card into this slot.
	 Secure Digital™/ Multimedia card slot	Insert a Secure Digital™/ Multimedia card into this slot.
7.	 DVI port	Connects to a DVI monitor or other DVI-compatible devices.
	 VGA port	Connects to a VGA monitor or other VGA-compatible devices.
	 HDMI port	Connects to a HDMI monitor or other HDMI-compatible devices.
	 S-Video port	Connects your computer to a media hardware such as a DVD player, or to a display monitor such as a TV.
	 WLAN card module (Optional)	Connects antenna to enjoy the digital content through the latest wireless technology.
8.	Air vents	Allows ventilation
9.	Power connector	Connects the power cable.

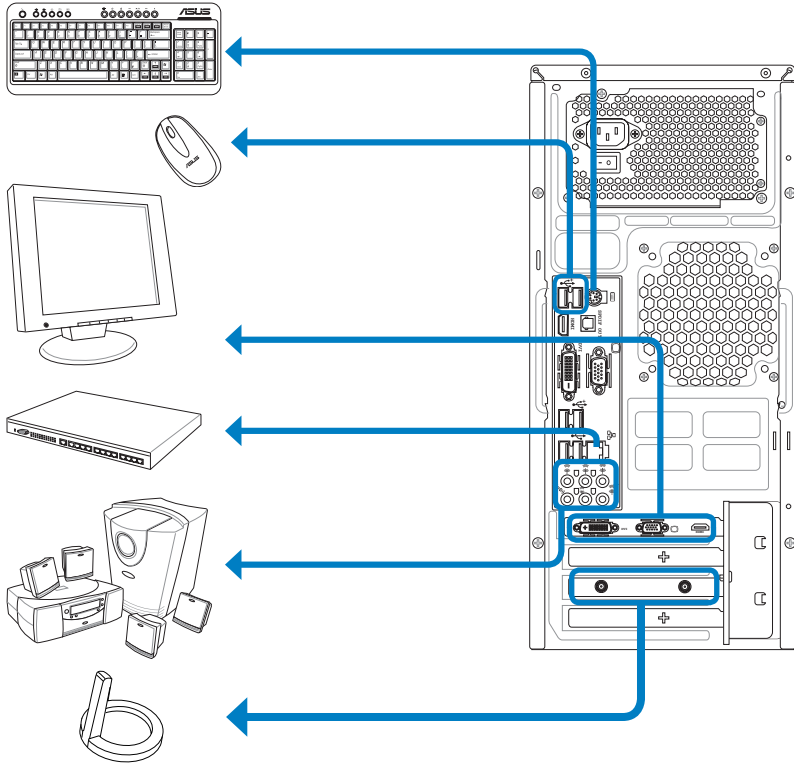


The output ports vary depending on the Graphics card you installed.

10.	 LAN (RJ-45) port	Plug a network cable into this port.
	 PS/2 keyboard / mouse combo port	Connects to a PS/2 keyboard/ mouse.
	 USB 2.0 ports	Connect to USB devices such as a mouse, keyboard, or camera.
	 HDMI port	Connects to a HDMI monitor or other HDMI-compatible devices.
	 DVI-D port	Connects to a DVI-D monitor or other DVI-D compatible devices.
	 VGA port	Connects to a VGA monitor or other VGA-compatible devices.
	 Optical S/PDIF Out port	Connects to an amplifier for digital audio output.
11.	 7.1(8)-channel audio ports	Connect to a 7.1(8)-channel speaker system.
	Expansion slot cover	Remove when installing expansion cards.

Setting up your Desktop PC

Connecting devices



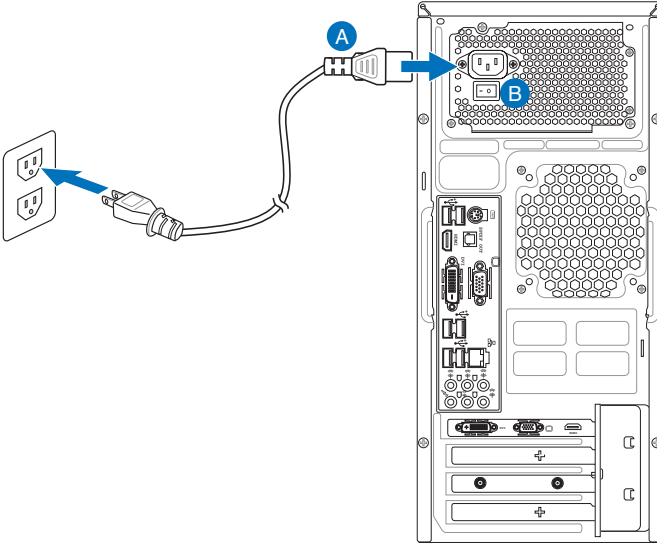
- Illustrations are for reference only. Actual product specifications may vary.
- The Wi-Fi module and antenna are optional.



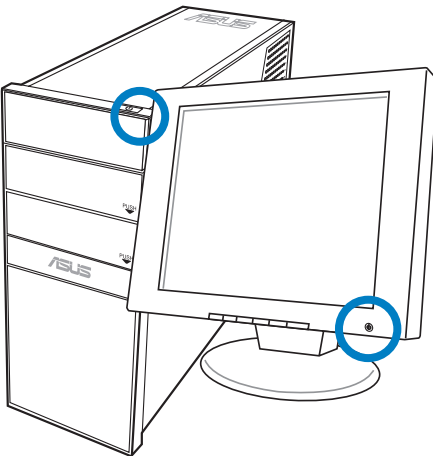
- Use this product in ambient temperatures between 0°C and 35°C.
- Do not block or cover the air vents on the chassis.

Connecting the power

Connect the power cord to the power connector and plug it into the wall socket.



Pressing the power button to turn on the system



Using your system

Using the optical drive

Inserting a disc

1. Place the disc to the optical drive with the label side facing up.
2. Slide the disc tray into the drive.

Ejecting a disc

1. While the system power is on, press the eject button.
2. Remove the disc from the disc tray.







Using the card reader

Digital cameras and other digital imaging devices use memory cards to store digital picture or media files. The built-in memory card reader on the front panel of your system allows you to read from and write to a variety of memory cards drives.

You can place media in one or more of the card slots and use each media independently. Place only one memory card in a slot at one time. Each card slot has its own driver letter and icon which are displayed on the **My Computer** screen.

Connecting to speakers

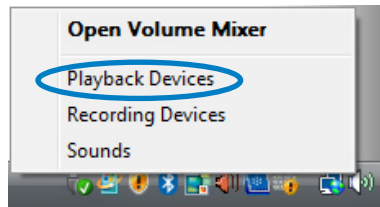
Refer to the table below for the audio jacks on the rear panel and their functions.

Audio jack	Description
	Line In (light blue) connects to an analog audio source like a CD/DVD player.
	Line Out (lime) connects to a headset or front speakers.
	Microphone (pink) connects to a microphone.
	Center/Subwoofer (orange) connects to a center speaker or a subwoofer.
	Rear Out (black) connects to rear speakers.
	Side Out (gray) connects to side speakers.

Configuring audio output settings

After connecting a speaker system to your desktop PC, follow the steps below to configure audio output:

1. Right-click the volume icon on the Windows® Vista™ taskbar and select **Playback Devices**.



2. Under the Playback window, select an audio device and click **Set Default**.
3. Click **OK** and you will see a check beside the device you select.

4. Relaunch your media player, such as Windows® Media Player or Power DVD, and the device you set will serve as the default audio output device.



- You must relaunch your media player for the audio output device settings.
 - If you want to set up a recording device, select **Recording Devices** in Step 1 and do what resembles Step 2 and 3.
 - If you use an HDMI display with S/PDIF audio output, set **Realtek Digital Output** as the default in Step 2.
-

Introducing the utilities

ASUS AI Manager

ASUS AI Manager is a utility which gives you quick and easy access to frequently-used applications.

Installing AI Manager

To install AI Manager on your computer:

1. Place the support DVD in the optical drive. If Autorun is enabled, the Drivers installation wizard appears.



If Autorun is not enabled in your computer, locate the setup.exe file from the ASUS AI Manager folder in the support DVD. Double-click the setup.exe file to start installation.

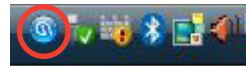
2. Click the **Utilities** tab, then click **ASUS AI Manager**.
3. Follow the on-screen instructions to complete the installation.

Launching AI Manager

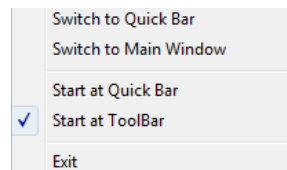
To launch the AI Manager from the Windows® desktop, click **Start > All Programs > ASUS > AI Manager 1.xx.xx > AI Manager**. The AI Manager quick bar appears on the desktop.



After launching the application, the AI Manager icon appears in the Windows® taskbar.

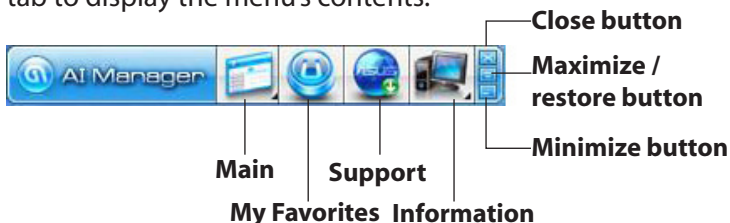





Right-click this icon to switch between quick bar and main window, and to launch the AI Manager either from the quick bar or taskbar.



AI Manager quick bar

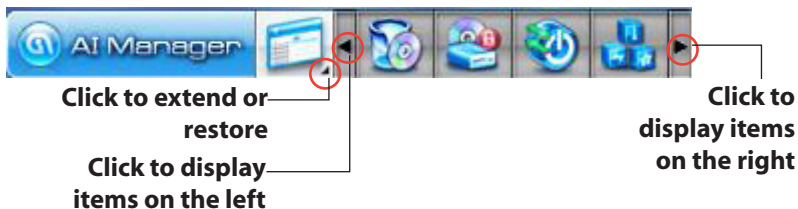
The AI Manager quick bar saves the desktop space and allows you to launch the ASUS utilities or display system information easily. Click any of the Main, My Favorites, Support or Information tab to display the menu's contents.



Click the Maximize/restore button  to switch between full window and quick bar. Click the Minimize button  to keep the AI Manager on the taskbar. Click the Close button  to quit the AI Manager.

Main

The Main menu contains five utilities: **AI Disk**, **AI Security**, **AI Boosting**, and **AI Probe**. Click the arrow on the Main menu icon to browse through the utilities in the main menu.



AI Disk

AI Disk allows you to easily clear temporary IE files, IE cookies, IE URLs, IE history, or the Recycle Bin. Click the AI Disk icon on the quick bar to display the full AI Disk window and select the items you want to clear. Click **Apply** when done.



AI Security

AI Security enables you to set a password to secure your devices, such as USB flash disks and CD/DVD disks, from unauthorized access.

To lock a device:

1. When using AI Security for the first time, you are asked to set a password. Enter a password with at most 20 alphanumeric characters.
2. Confirm the password.
3. Key in the password hint (recommended).
4. When done, click **Ok**.
5. Select the device you want to lock, then click **Apply**.
6. Key in the password you have set previously, then click **Ok**. The selected device is locked and not accessible.

To unlock the selected device:

1. Uncheck the checkbox of the selected device, then click **Apply**.
2. Key in the password you have set previously, then click **Ok**. The selected device is unlocked.

To change password:

Click **Change Password**, then follow the onscreen instructions to change password.



AI Booting

AI Booting allows you to specify the boot device priority sequence.

To specify the boot sequence:

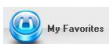
1. Select a device, then click on the left/right button to specify the boot sequence.
2. When done, press **Apply**.



AI Probe

AI Probe automatically detects and displays the motherboard and CPU temperatures, CPU fan speed, and the voltage output. You can adjust the values as you need.

Click the **Temperature**, **Voltage**, or **Fan Speed** tab, then select an item to enable and change the value by dragging the bar.



My Favorites

My Favorites allows you to add applications that you frequently use, saving time from searching for the applications throughout your computer.

To add an application:

1. Click **Add**, then locate the application you want to add to **My Favorites**.
2. Click **Open** on the file location window. The application is added to **My Favorites** list.

Right click on the application icon to launch, delete, or rename the selected application. You can also double click to launch the selected application.



Support

Click any links on the **Support** window to go to the ASUS website, technical support website, download support website, or contact information.



Information

Click the tab on the **Information** window to see the detailed information about your system, motherboard, CPU, BIOS, installed devices, and memory.

Recovering your system

Using the recovery DVD

The recovery DVD includes an image of the operating system installed on your system at the factory. The recovery DVD, working with the support DVD, provides a comprehensive recovery solution that quickly restores your system to its original working state, provided that your hard disk drive is in good working order. Before using the recovery DVD, copy your data files (such as Outlook PST files) to a USB device or to a network drive and make note of any customized configuration settings (such as network settings).

1. Turn on your ASUS Desktop PC and the ASUS logo appears. Press **F8** to enter the **Please select boot device** menu.
2. Insert the recovery DVD into the optical drive and select the optical drive ("CDROM:XXX") as the boot device. Press **Enter** and then press any key to continue.
3. The **Windows Boot Manager** window appears. Select **Windows Setup [EMS Enabled]** and press **Enter**. Wait when the **Windows is loading files** message appears.
4. Select where to install a new system. Options are:

Recover system to a partition

This option will delete only the partition you select from below, allowing you to keep other partitions, and create a new system partition as drive "C." Select a partition and click **NEXT**.

Recover system to entire HD

This option will delete all partitions from your hard disk drive and create a new system partition as drive "C." Select and click **Yes**.

5. Follow the on-screen instructions to complete the recovery process.



You will lose all your data during the system recovery. Make sure that you make a backup of it before recovering the system.

6. After the system recovery is completed, you will be asked to eject the support DVD from the optical drive. Click **OK** and the system reboots.
7. After the system reboots, Windows® Vista™ will begin system configurations. Follow the on-screen instructions to complete the process, and then restart the computer.



This recovery DVD is for ASUS Desktop PC only. DO NOT use it on other computers. Visit the ASUS website www.asus.com for any updates.

Quickly recover your system

1. Turn on your ASUS Desktop PC. When the ASUS logo appears, press **F9** to enter the **System Recovery**.
2. **Windows is loading files** is shown. Wait until the **Recovery CD/DVD** window appears.
3. Follow the onscreen instructions to complete the recovery process. After the system reboots, display resolution and system settings are restored to their default values.

Troubleshooting

Read the following Q&As for troubleshooting guide. If these do not give you answers, you may contact us directly at the contact information provided in the support DVD.

What can I do if my Desktop PC cannot be powered on?

Check if the power LED on the front panel lights up. It does not light up if no power is supplied to the system.

- Find out if the power cord is plugged in.
- When you use an extension cord or a voltage regulator, ensure that you have plugged it into the wall socket and switched it on.

What can I do if my Desktop PC cannot enter the operating system?



- Make sure that you use memory modules that the system supports and that you install them properly on the sockets.
- Check if your peripheral devices are compatible with the system.

If the above steps do not solve the problem, contact your retailer or perform system recovery using the supplied recovery DVD.



You will lose all your data during the system recovery. Make sure that you make a backup of it before recovering the system.

Why is it that I cannot hear anything from my speakers/headphones?

Check the volume icon on the Windows® taskbar to see if it is set to mute . If so, double-click this icon to display the volume bar, and then click the mute icon under the bar to cancel the muted mode .

Why is it that a CD/DVD cannot be read from or written to?

- Make sure that you use a disc compatible with the optical drive.
- Check if you insert the disc properly or if there is any scratch on the disc.
- Find out if the disc is with write protection.
