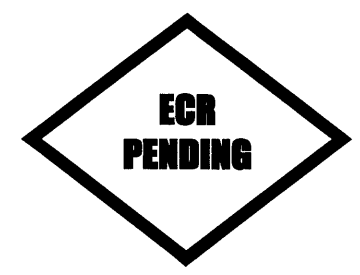
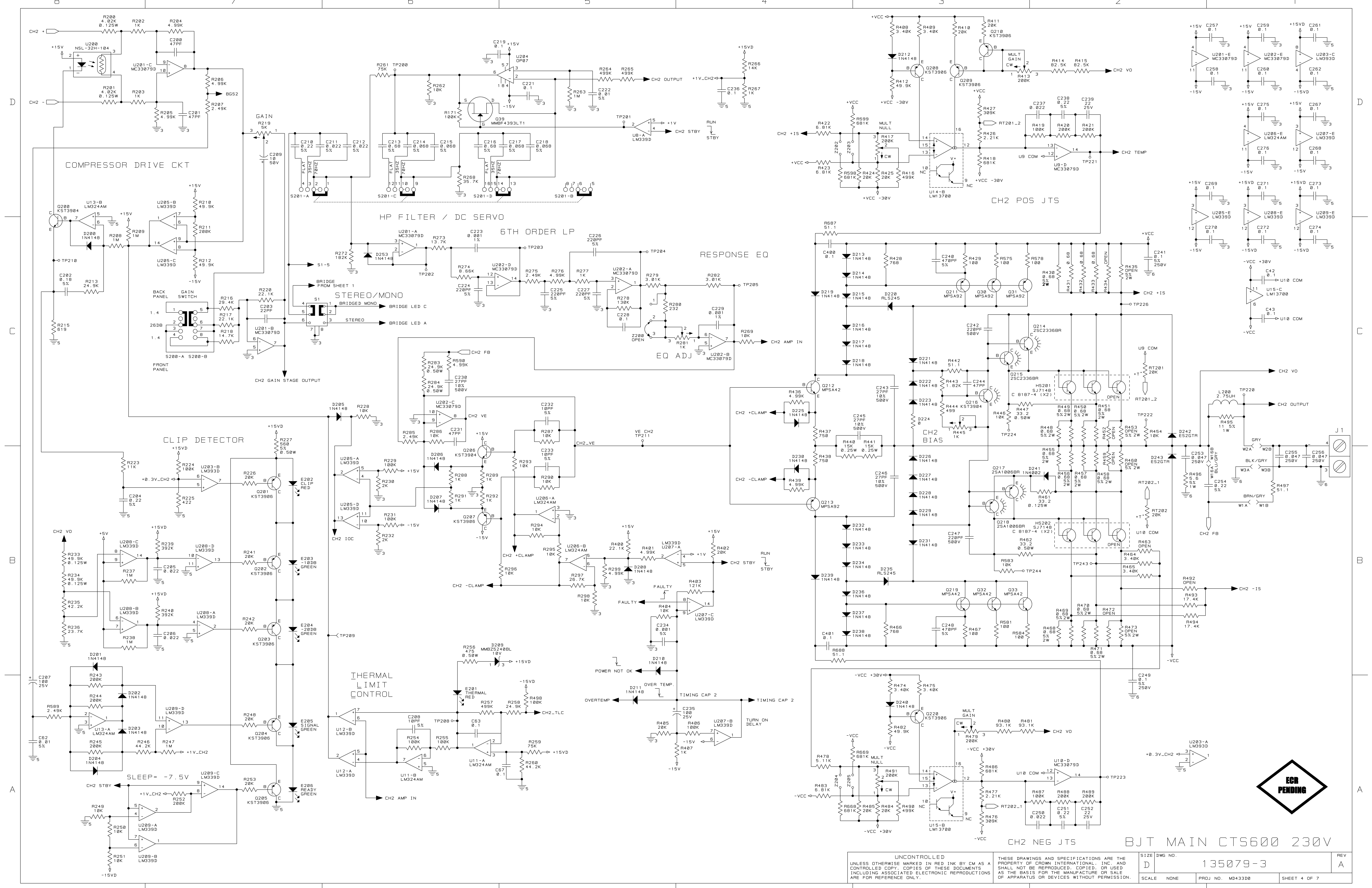


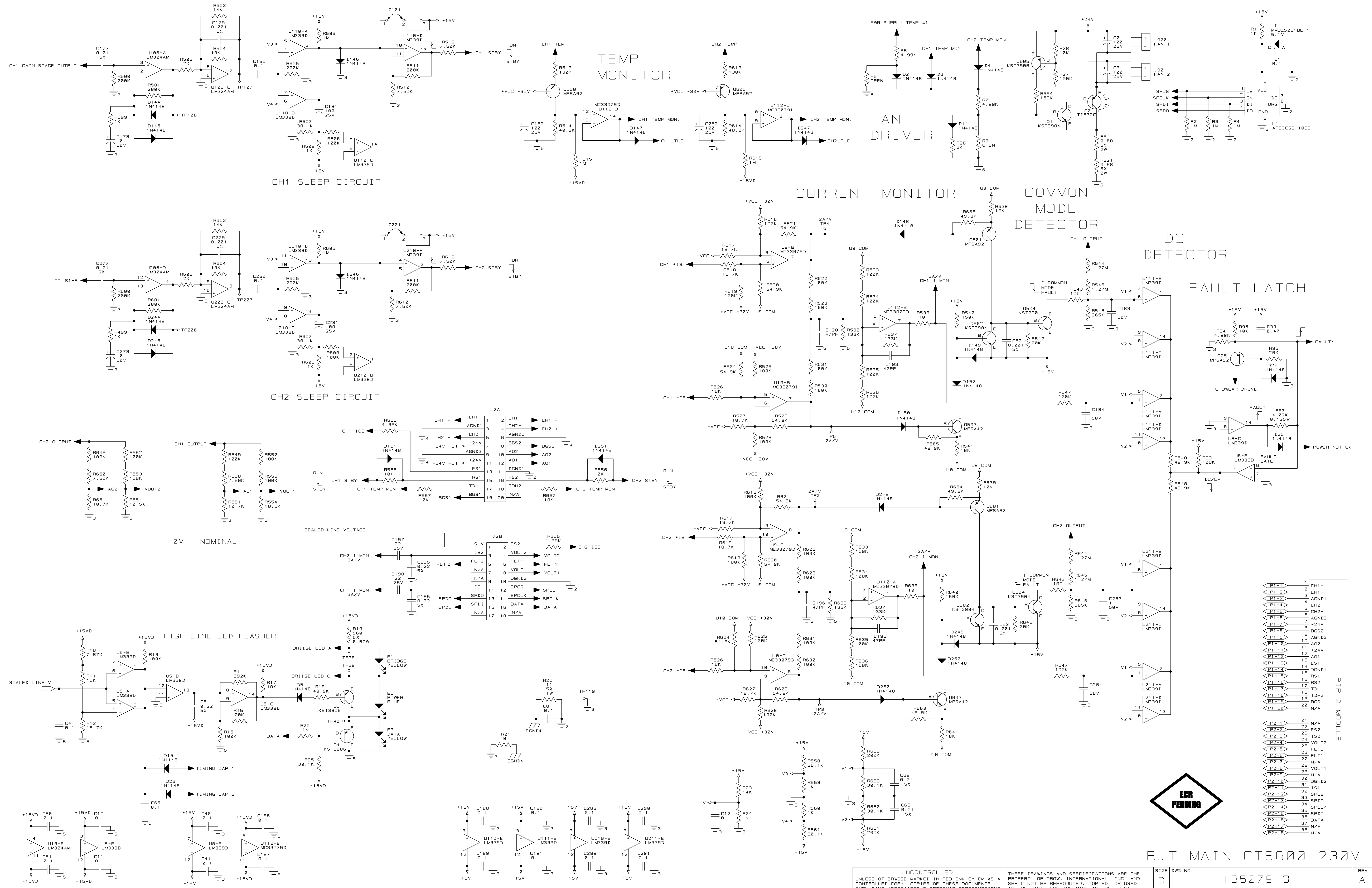
- NOTES:
1. SEE 135079-3_A.XLS FOR PARTS LIST DATA
 2. ALL RESISTORS ARE IN OHMS, 0.1W, 1% UNLESS OTHERWISE SPECIFIED.
 3. ALL CAPACITORS ARE IN MICROFARADS UNLESS OTHERWISE SPECIFIED.
 4. ITEMS WITH THIS SYMBOL: REQUIRE HEATSINKING.



UNCONTROLLED UNLESS OTHERWISE MARKED IN RED INK BY CM AS A CONTROLLED COPY. COPIES OF THESE DOCUMENTS INCLUDING ASSOCIATED ELECTRONIC REPRODUCTIONS ARE FOR REFERENCE ONLY.	THESE DRAWINGS AND SPECIFICATIONS ARE THE PROPERTY OF CROWN INTERNATIONAL, INC. AND SHALL NOT BE REPRODUCED, COPIED, OR USED AS THE BASIS FOR THE MANUFACTURE OR SALE OF APPARATUS OR DEVICES WITHOUT PERMISSION.	SIZE DWG. NO. D 135079-3	REV A
SCALE NONE	PROJ. NO. MD433D	SHEET 3 OF 7	



UNCONTROLLED UNLESS OTHERWISE MARKED IN RED INK BY CM AS A CONTROLLED COPY. COPIES OF THESE DOCUMENTS INCLUDING ASSOCIATED ELECTRONIC REPRODUCTIONS ARE FOR REFERENCE ONLY.	THESE DRAWINGS AND SPECIFICATIONS ARE THE PROPERTY OF CROWN INTERNATIONAL, INC. AND SHALL NOT BE REPRODUCED, COPIED, OR USED AS THE BASIS FOR THE MANUFACTURE OR SALE OF APPARATUS OR DEVICES WITHOUT PERMISSION.	SIZE DWG. NO. D 135079-3	REV A
SCALE NONE	PROJ. NO. MD43300	SHEET 4 OF 7	



BJT MAIN CTS600 230V

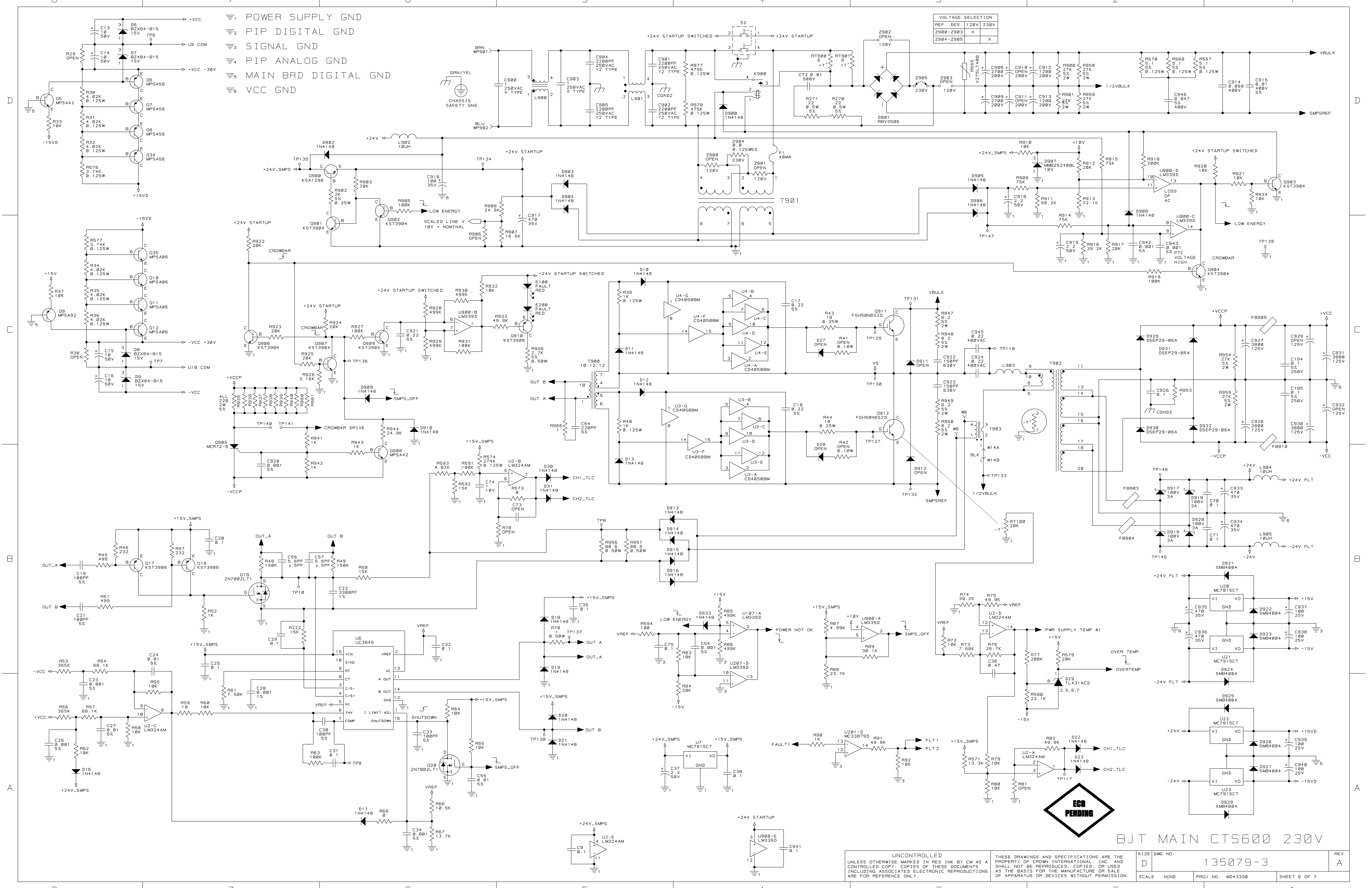
UNCONTROLLED UNLESS OTHERWISE MARKED IN RED INK BY CM AS A CONTROLLED COPY. COPIES OF THESE DOCUMENTS INCLUDING ASSOCIATED ELECTRONIC REPRODUCTIONS ARE FOR REFERENCE ONLY.	THESE DRAWINGS AND SPECIFICATIONS ARE THE PROPERTY OF CROWN INTERNATIONAL, INC. AND SHALL NOT BE REPRODUCED, COPIED, OR USED AS THE BASIS FOR THE MANUFACTURE OR SALE OF APPARATUS OR DEVICES WITHOUT PERMISSION.	SIZE: D DWG NO.: 135079-3 SCALE: NONE PROJ NO.: MD433D8 SHEET 5 OF 7	REV: A
---	---	--	--------

PIR 2 MODULE

P1-1	CH1+
P1-2	CH1-
P1-3	AGND1
P1-4	CH2+
P1-5	CH2-
P1-6	AGND2
P1-7	CH2+
P1-8	BGS2
P1-9	AGND3
P1-10	A02
P1-11	+24V
P1-12	A01
P1-13	ES1
P1-14	DGND1
P1-15	RS1
P1-16	RS2
P1-17	TDH1
P1-18	TDH2
P1-19	BGS1
P1-20	N/A
P2-1	CH1+
P2-2	ES2
P2-3	IS2
P2-4	VOUT2
P2-5	FLT2
P2-6	N/A
P2-7	FLT1
P2-8	VOUT1
P2-9	DGND2
P2-10	N/A
P2-11	IS1
P2-12	SPCS
P2-13	SPDO
P2-14	SPCLK
P2-15	SPD1
P2-16	N/A
P2-17	DATA
P2-18	N/A
P2-19	N/A
P2-20	N/A

- 1 POWER SUPPLY GND
- 2 PIP DIGITAL GND
- 3 SIGNAL GND
- 4 PIP ANALOG GND
- 5 MAIN BRD DIGITAL GND
- 6 VCC GND

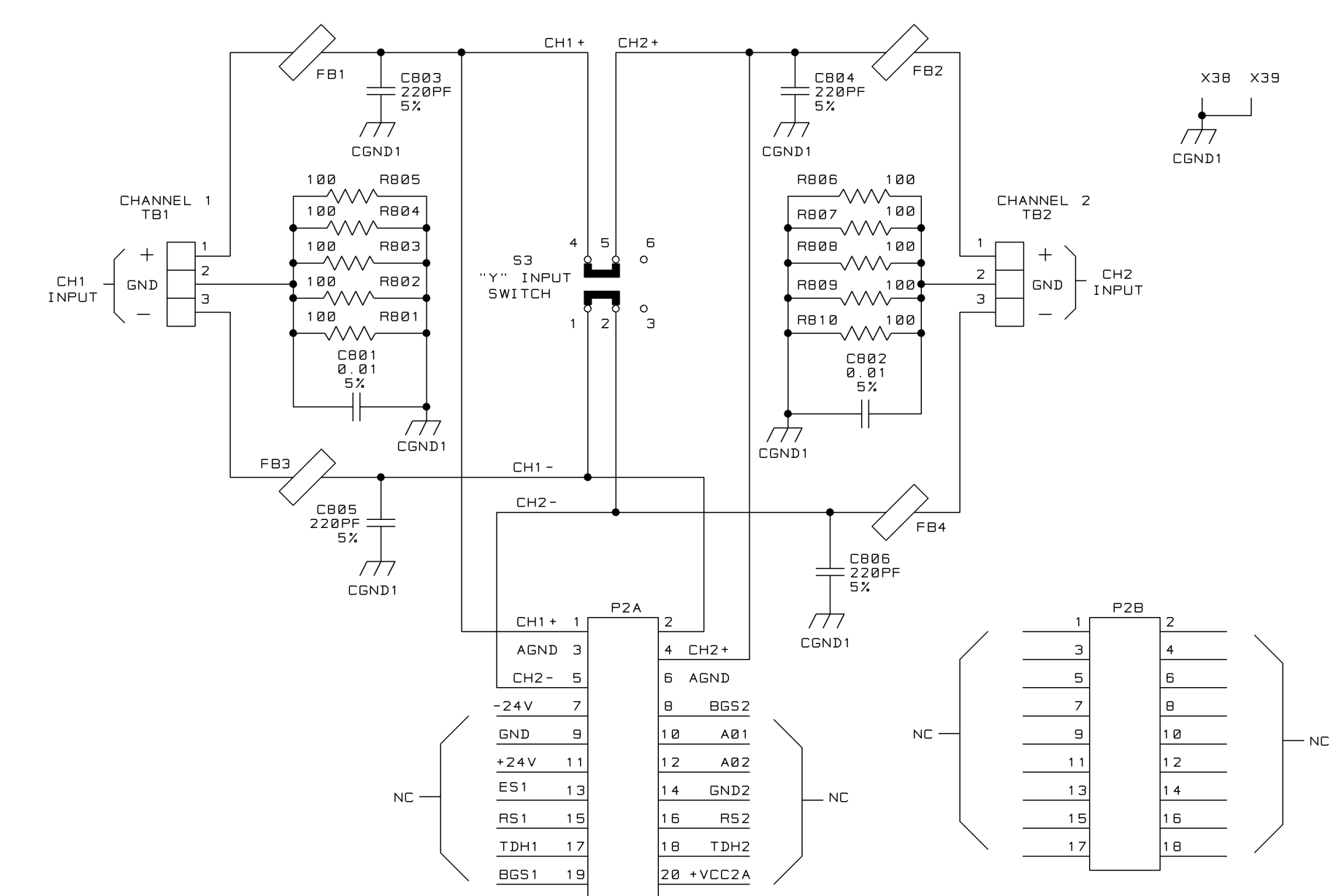
VOLTAGE SELECTION		
REF. DES.	120V	230V
Z900-Z903	X	
Z904-Z905		X



ECN PENDING

BJT MAIN CTS600 230V

UNCONTROLLED UNLESS OTHERWISE MARKED IN RED INK BY CM AS A CONTROLLED COPY. COPIES OF THESE DOCUMENTS INCLUDING ASSOCIATED ELECTRONIC REPRODUCTIONS ARE FOR REFERENCE ONLY.	THESE DRAWINGS AND SPECIFICATIONS ARE THE PROPERTY OF CROWN INTERNATIONAL, INC. AND SHALL NOT BE REPRODUCED, COPIED, OR USED AS THE BASIS FOR THE MANUFACTURE OR SALE OF APPARATUS OR DEVICES WITHOUT PERMISSION.	SIZE: D SCALE: NONE	DWG NO.: 135079-3 PROJ NO.: MD433D0	REV: A SHEET 6 OF 7
---	---	------------------------	--	------------------------



PIP2 REMOVABLE BB Y-IN
BJT MAIN CTS600 230V

UNCONTROLLED UNLESS OTHERWISE MARKED IN RED INK BY CM AS A CONTROLLED COPY. COPIES OF THESE DOCUMENTS INCLUDING ASSOCIATED ELECTRONIC REPRODUCTIONS ARE FOR REFERENCE ONLY.	THESE DRAWINGS AND SPECIFICATIONS ARE THE PROPERTY OF CROWN INTERNATIONAL, INC. AND SHALL NOT BE REPRODUCED, COPIED, OR USED AS THE BASIS FOR THE MANUFACTURE OR SALE OF APPARATUS OR DEVICES WITHOUT PERMISSION.		SIZE	DWG. NO.	REV
	D	135079-3	A		
SCALE	NONE	PROJ. NO.	MD433D0	SHEET	7 OF 7