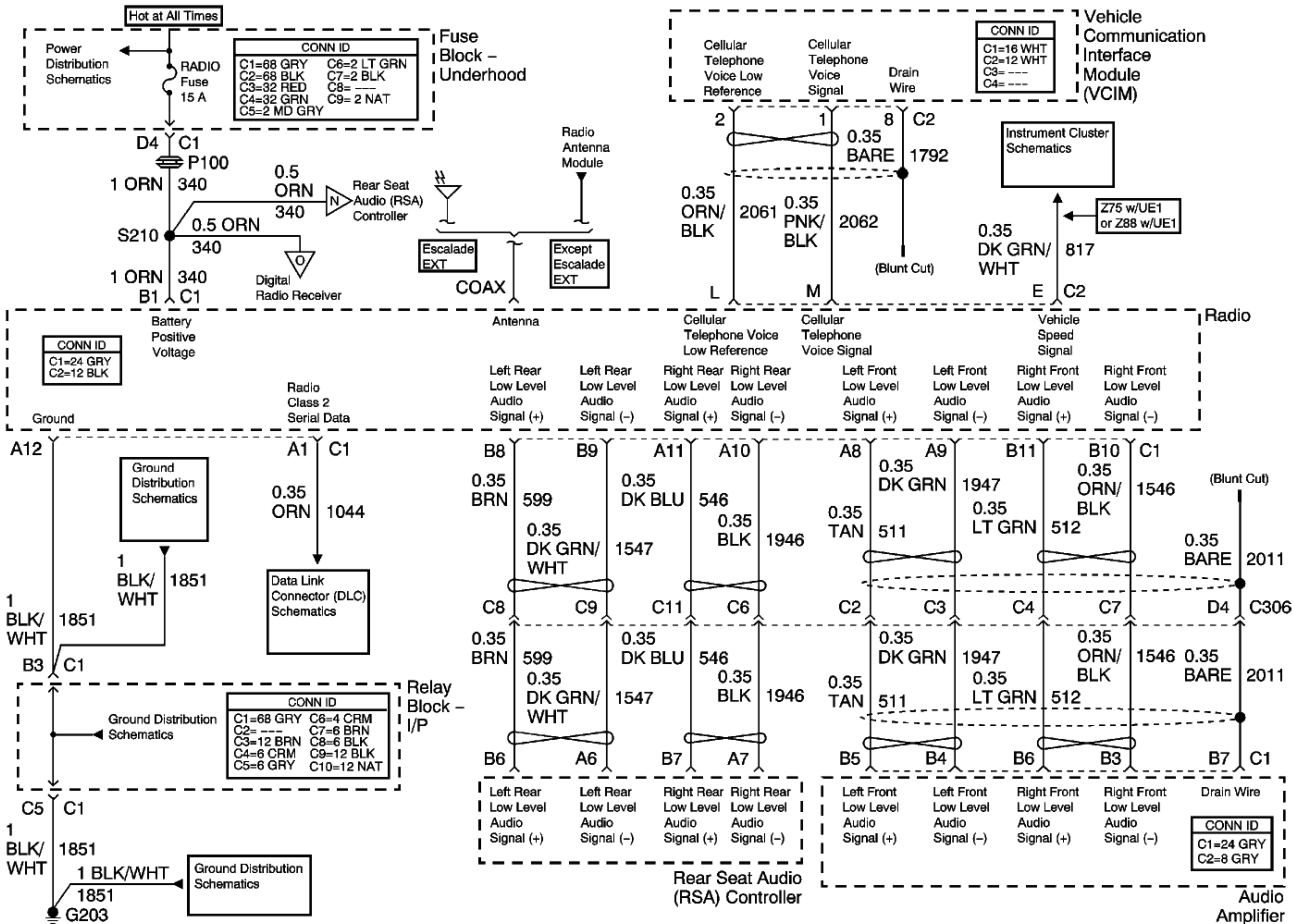
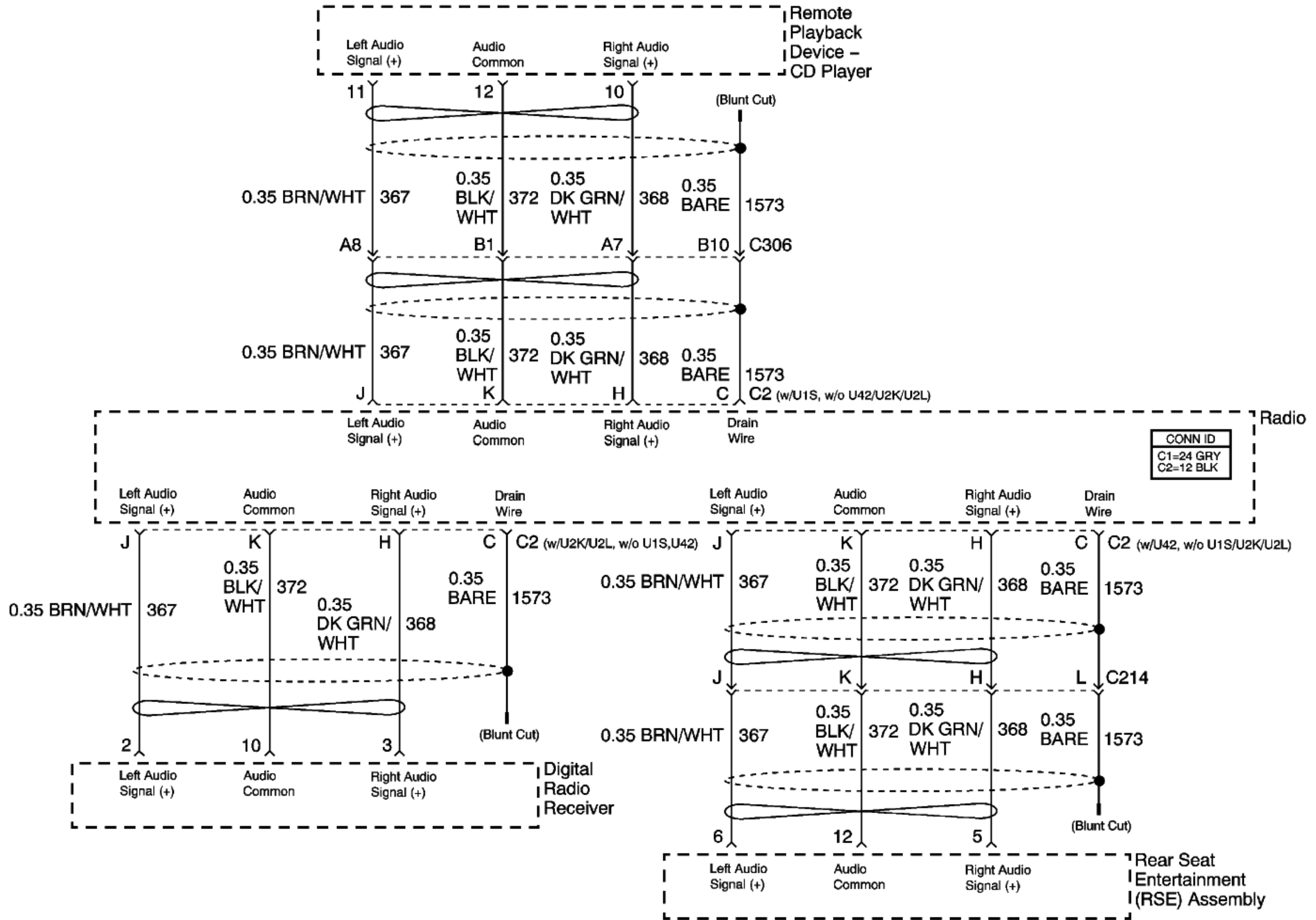
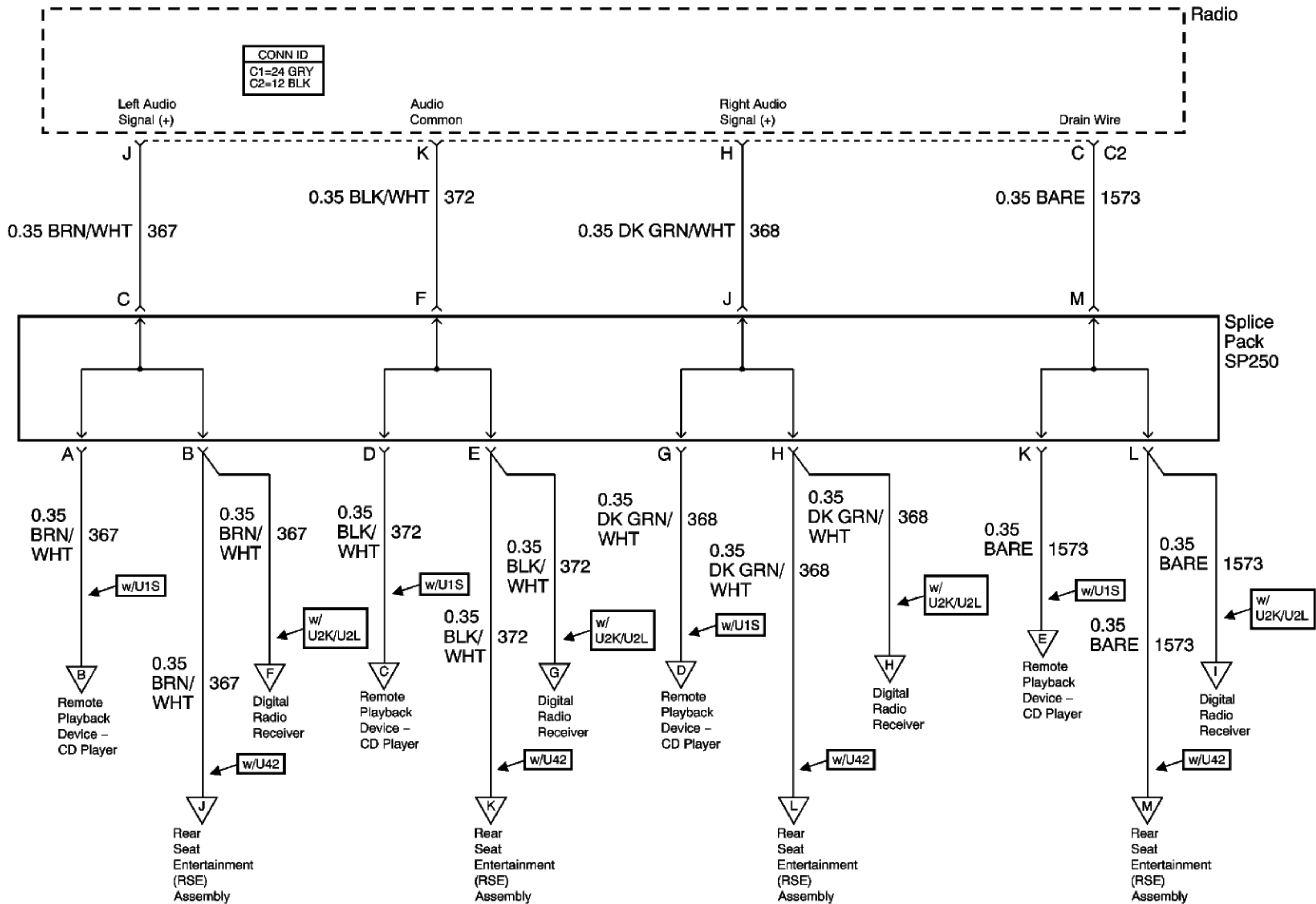


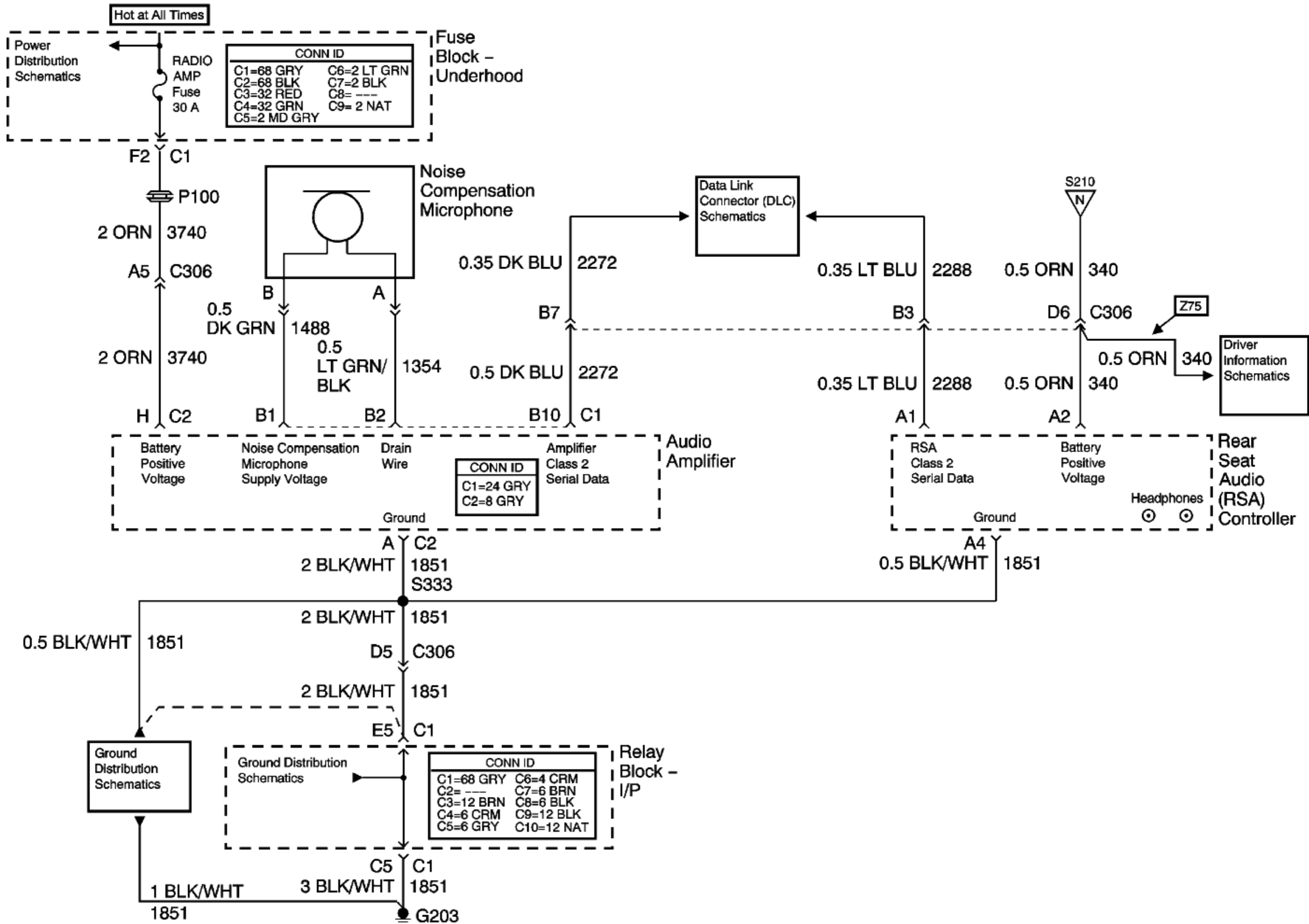
Radio Power, Ground, Audio Signals



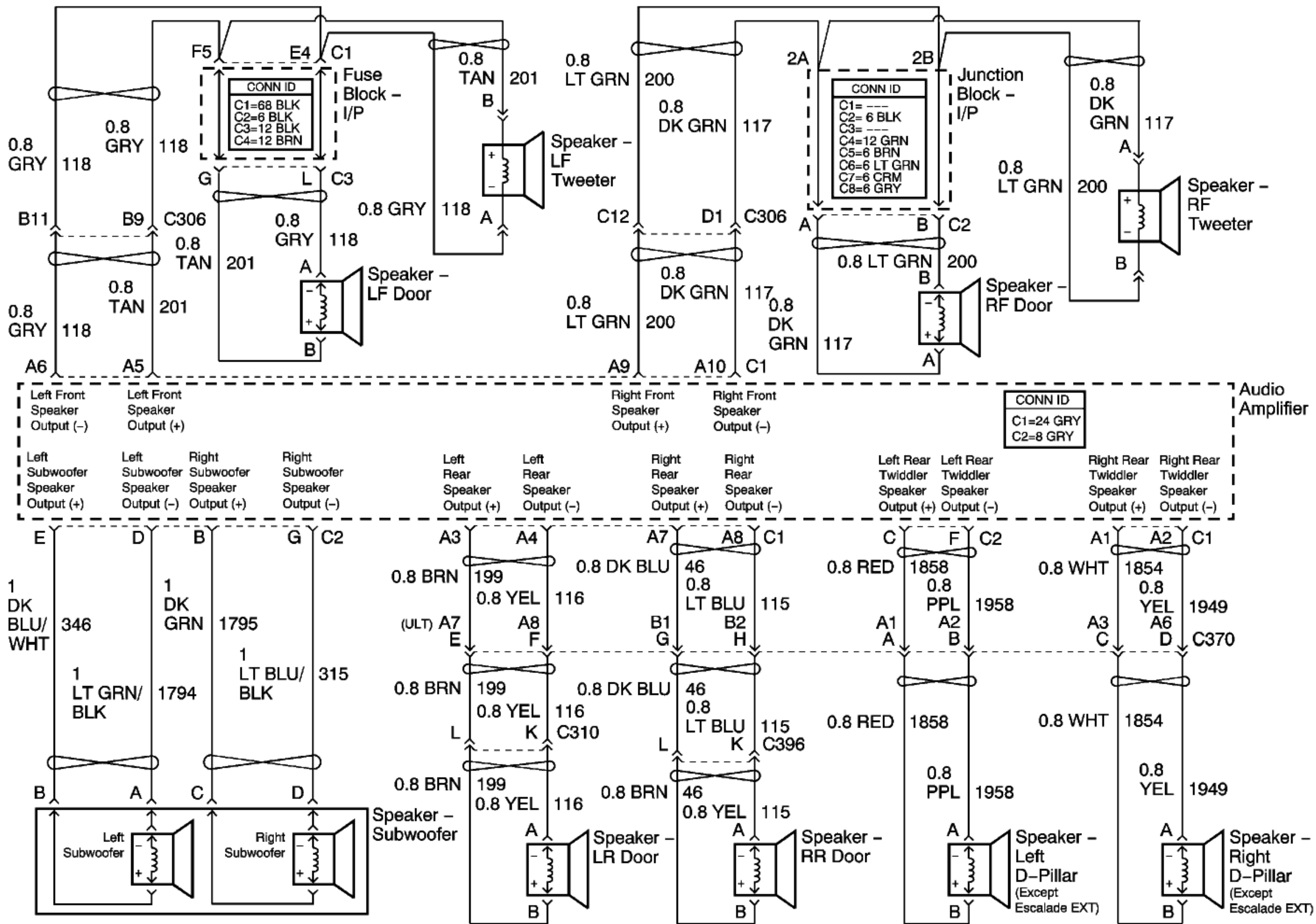




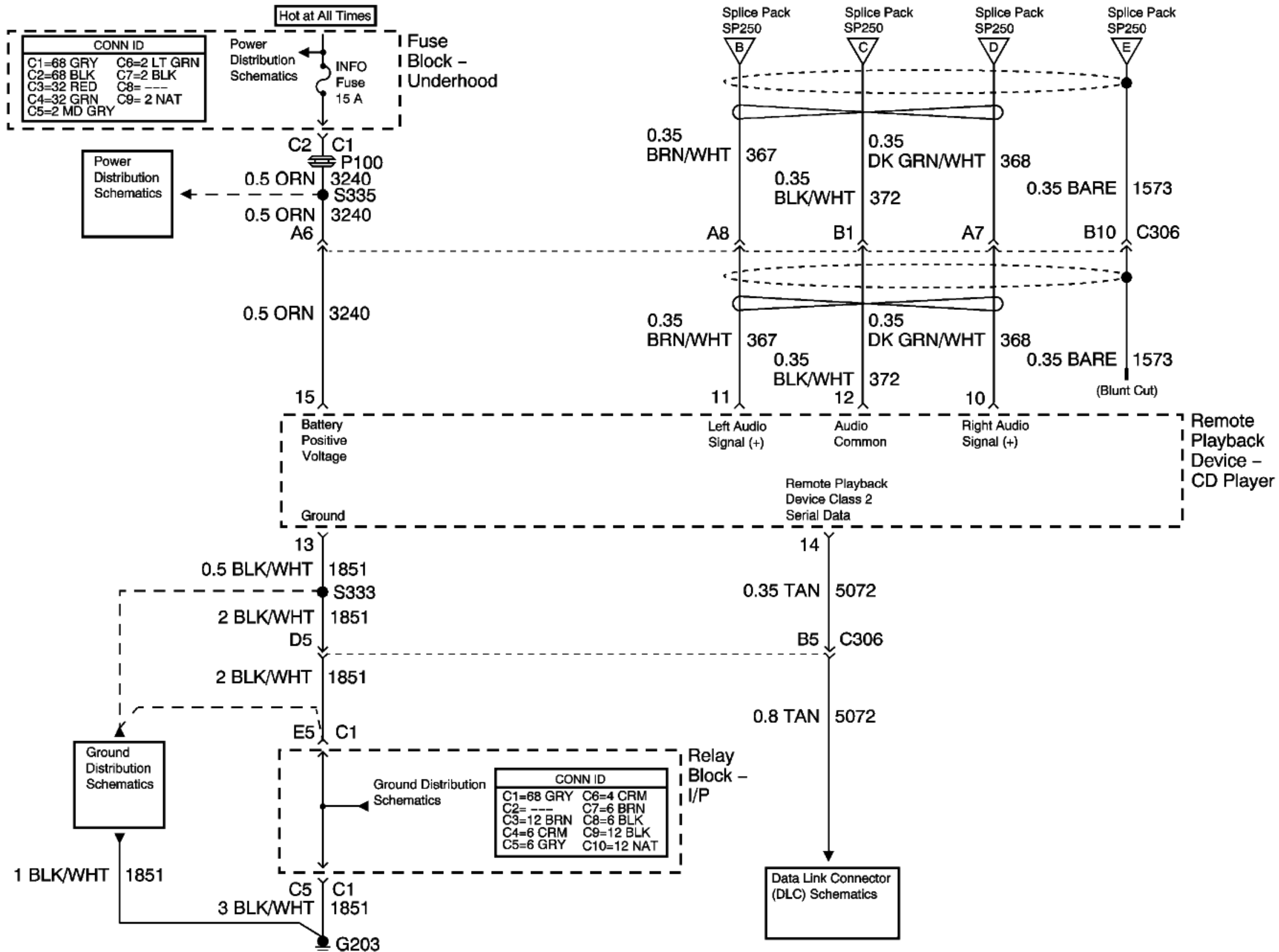
Amplifier, RSA Power, Ground, Subsystems



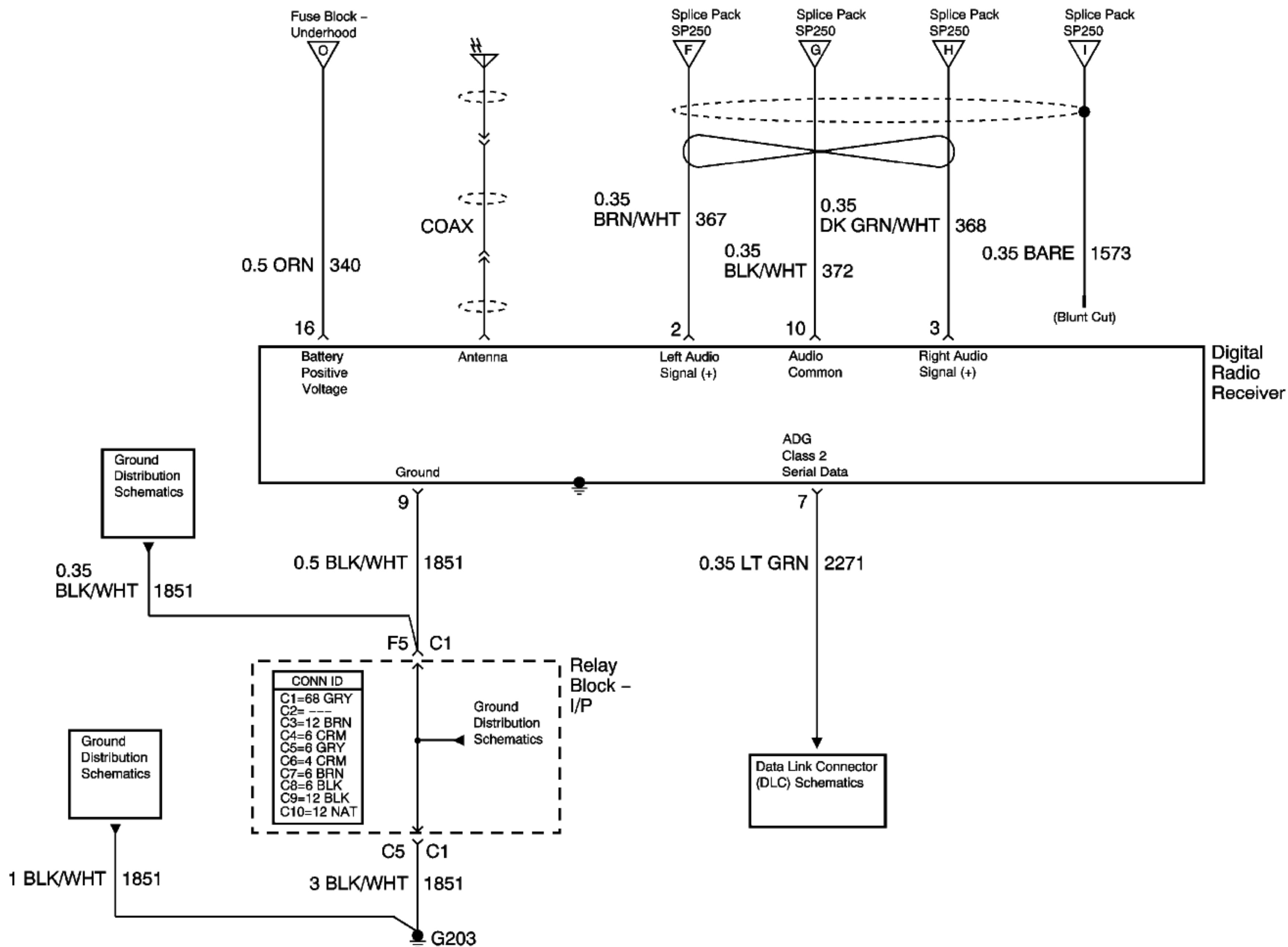
Speakers



Remote CD Player - w/ U1S



Digital Radio Receiver – w/ U2K/U2L



Rear Seat Entertainment – w/ U42

Hot at All Times

Fuse Block – Underhood

CONN ID	
C1=68 GRY	C6=2 LT GRN
C2=68 BLK	C7=2 BLK
C3=32 RED	C8=---
C4=32 GRN	C9= 2 NAT
C5=2 MD GRY	

Power Distribution Schematics

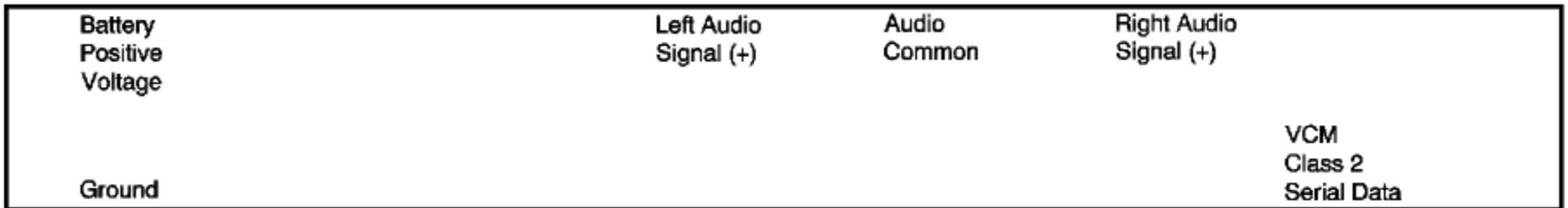
Power Distribution Schematics

C2 C1
P100

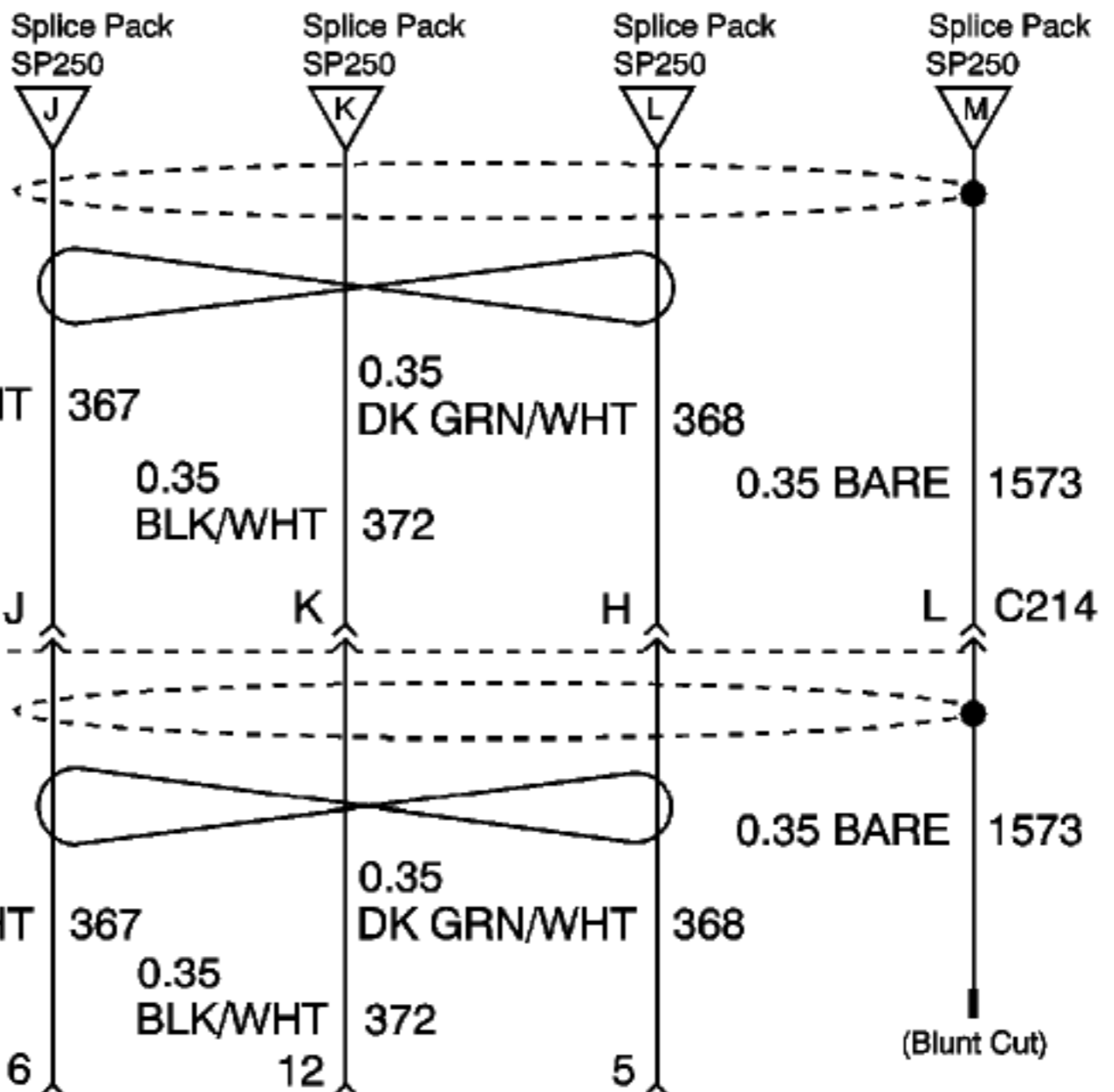
0.5 ORN 3240
S335
0.5 ORN 3240
N

0.5 ORN 3240

9



Rear Seat Entertainment (RSE) Assembly



Ground Distribution Schematics

Ground Distribution Schematics

CONN ID	
C1=68 GRY	C6=4 CRM
C2=---	C7=6 BRN
C3=12 BRN	C8=6 BLK
C4=6 CRM	C9=12 BLK
C5=6 GRY	C10=12 NAT

Relay Block – I/P

C5 C1

3 BLK/WHT 1851

G203

1 BLK/WHT 1851

Data Link Connector (DLC) Schematics

Antenna Module

