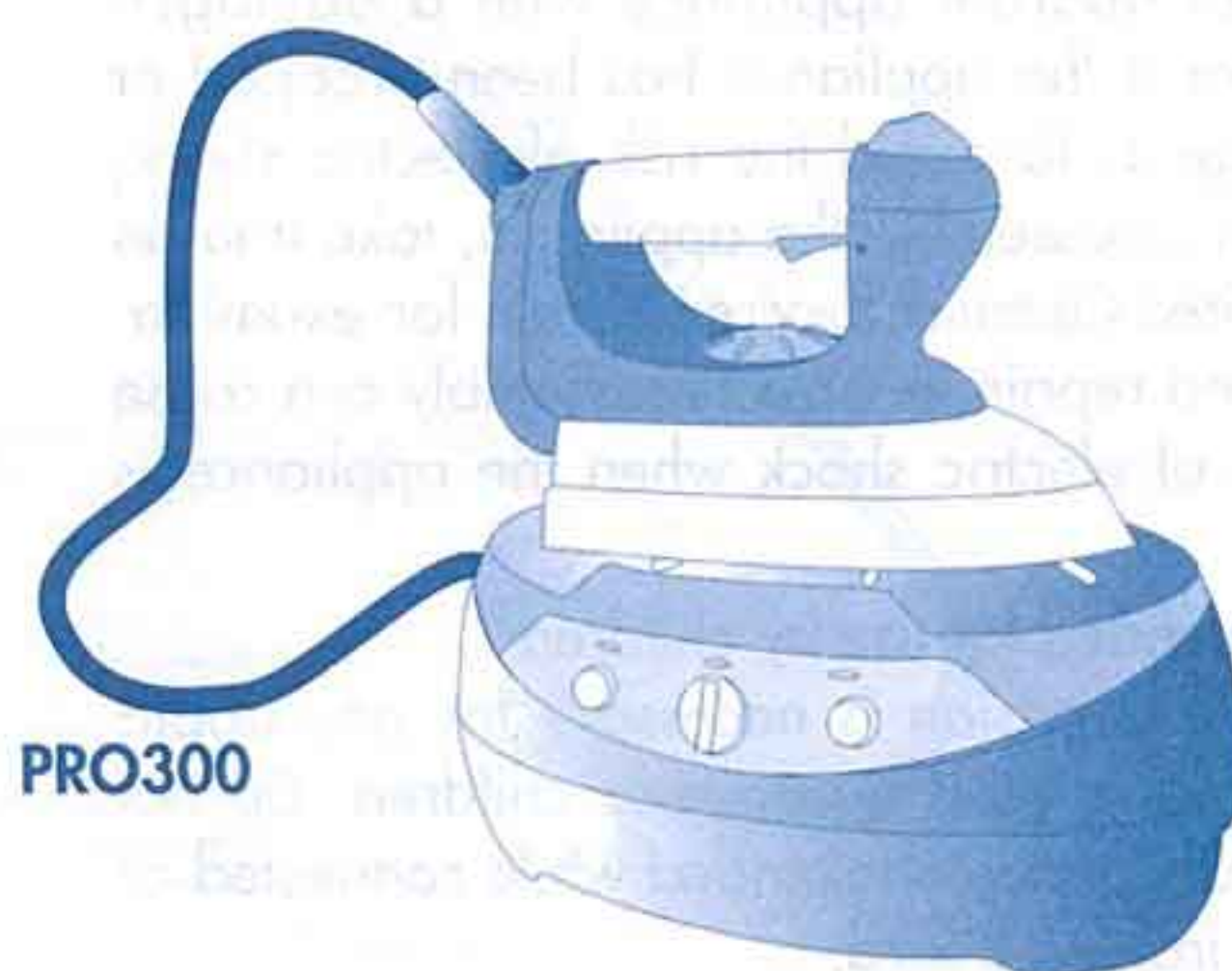


**IMPORTANT INSTRUCTIONS
SAVE THESE INSTRUCTIONS**

**MODE D'EMPLOI IMPORTANT
CONSERVEZ LES PRESENTES INSTRUCTIONS**

**INSTRUCCIONES IMPORTANTES
REPASE Y GUARDE ESTAS INSTRUCCIONES
LEA ESTE INSTRUCTIVO ANTES DE UTILIZAR EL
APARATO**

**ISTRUZIONI IMPORTANTI
CONSERVARE LE ISTRUZIONI**



Register this product on-line and receive a free trial issue of Cook's Illustrated. Visit www.prodregister.com/delonghi.

Visit www.delonghi.com for a list of service centers near you. (U.S. and Canada)

Enregistrez ce produit en ligne et recevez un numéro gratuit de Cook's Illustrated. Visitez www.prodregister.com/delonghi.

Visitez www.delonghi.com pour y voir une liste des centres de réparation proches de chez vous. (É.-U. et Canada).

Registre este producto en línea y reciba un ejemplar gratis de Cook's Illustrated. Visite www.prodregister.com/delonghi.

Visite www.delonghi.com para ver la lista de centros de servicios cercanos a usted. (Estados Unidos y Canada)

Registra questo prodotto "on-line" per ricevere una copia omaggio della rivista. Visita www.prodregister.com/delonghi.

Visita www.delonghi.com per una lista dei centri di servizio a te più vicini. (Stati Uniti e Canada)

**ELECTRONIC CHARACTERISTICS: CARACTÉRISTIQUES ÉLECTRIQUES:
CARACTERISTICAS ELECTRICAS: CARATTERISTICHE ELETTRICHE:
120V-60HZ 1500W**

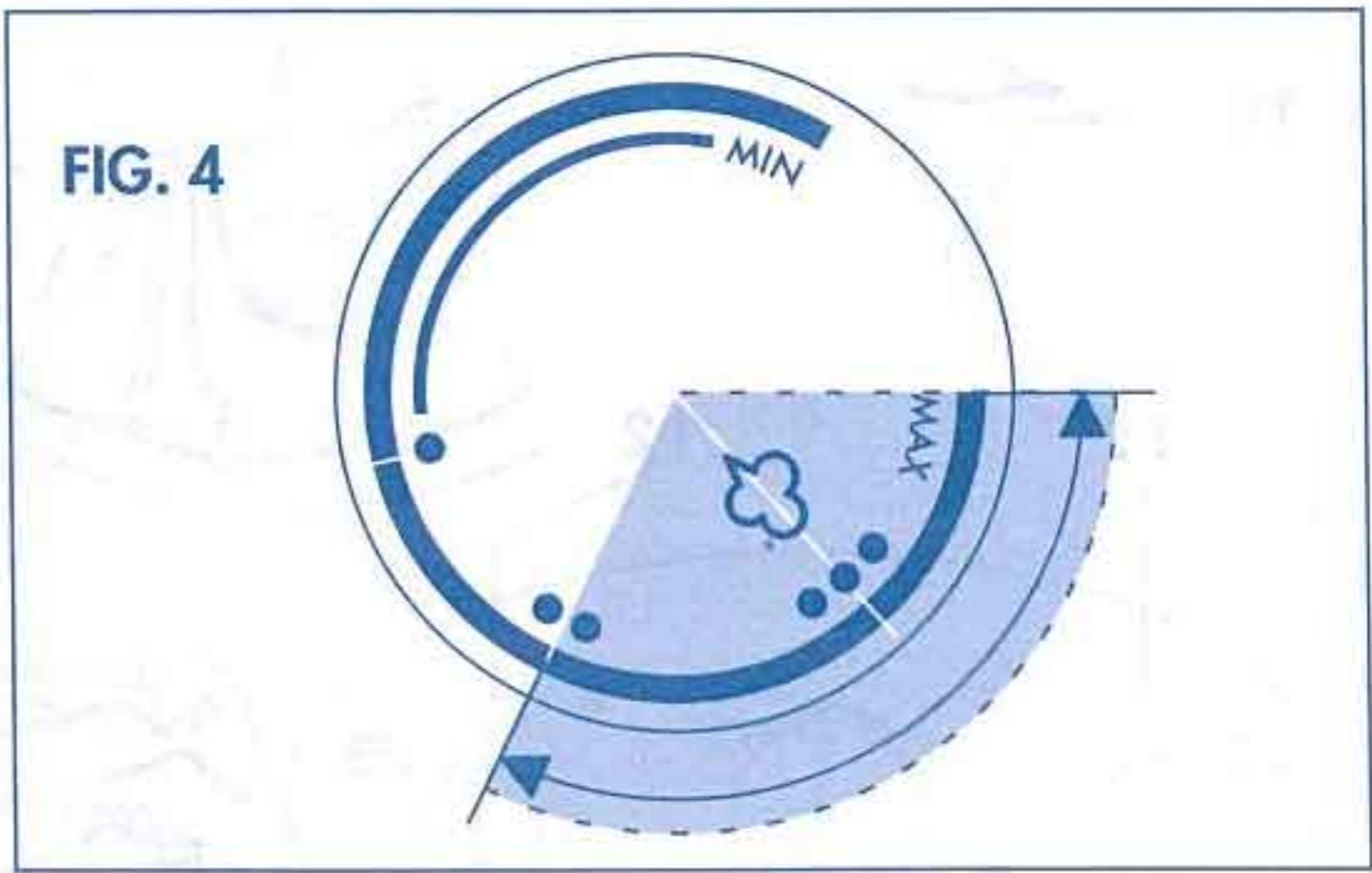
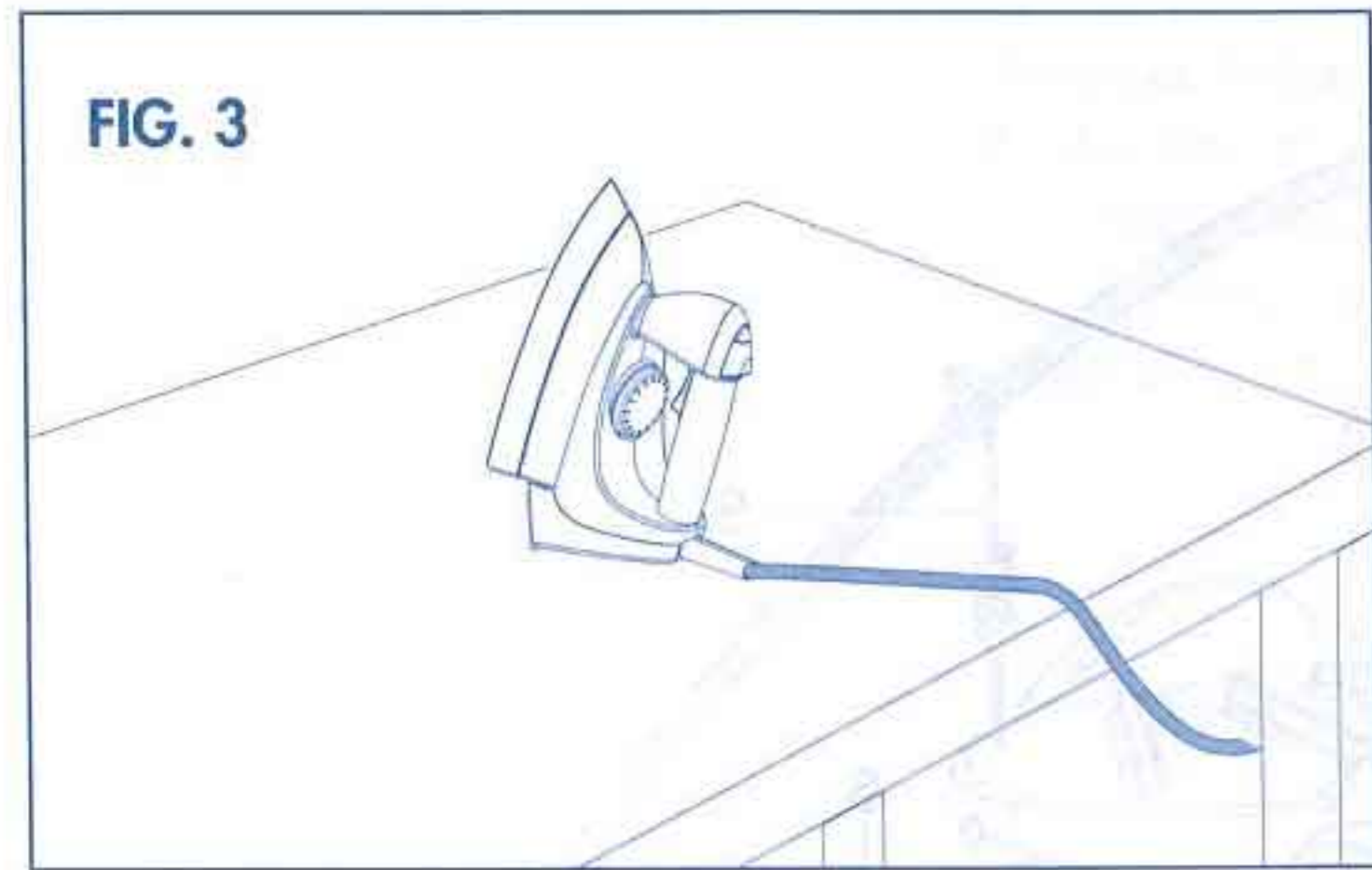
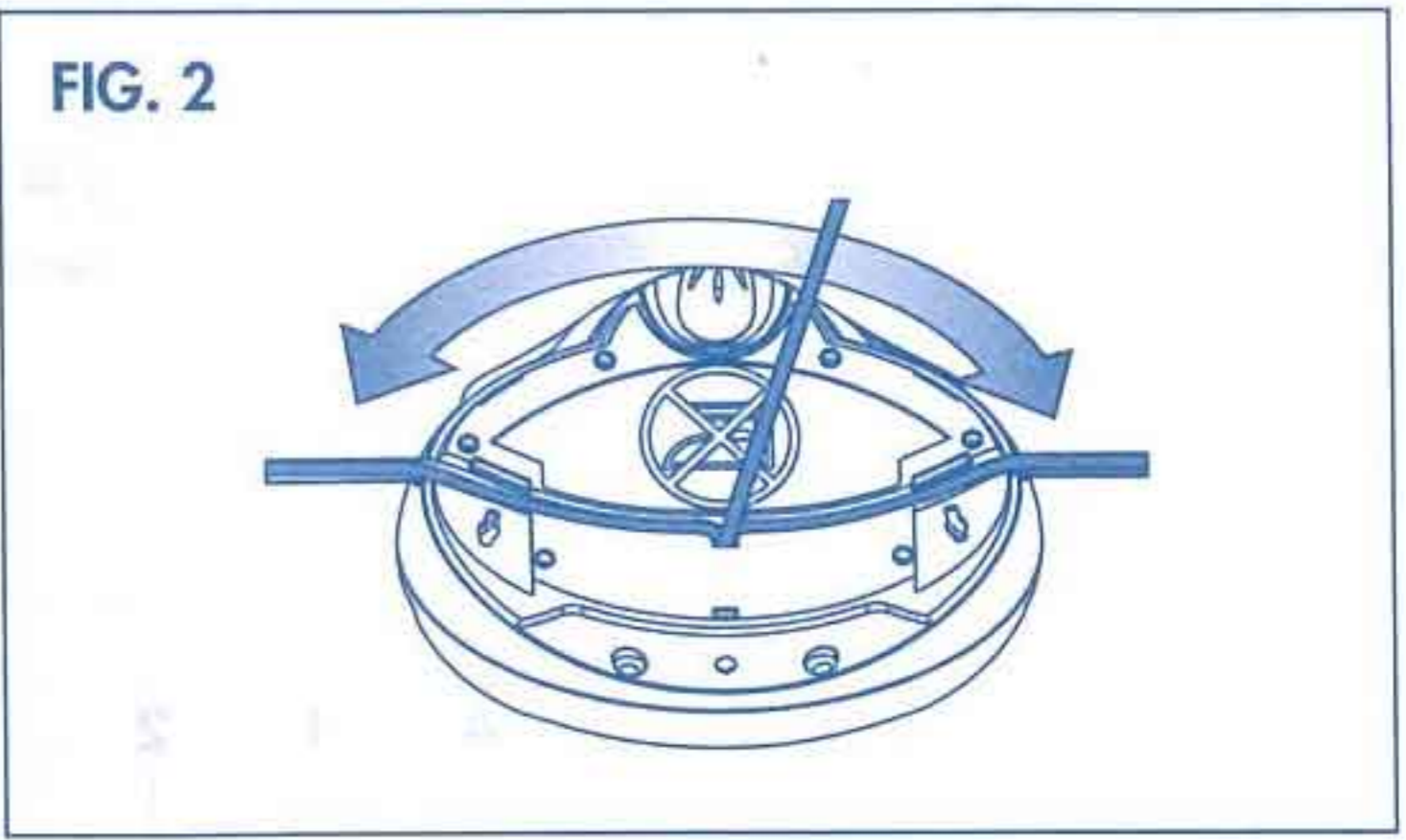
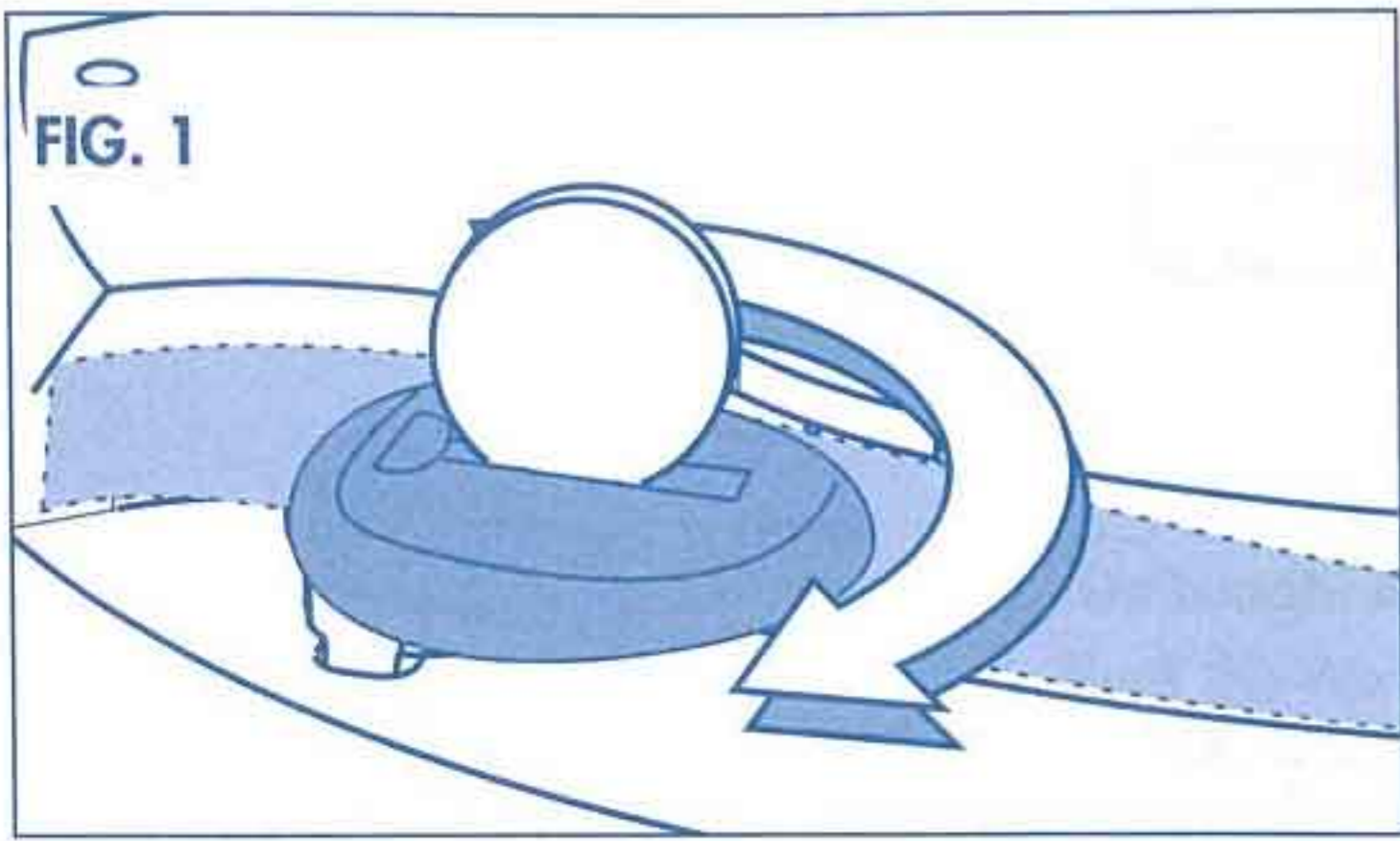
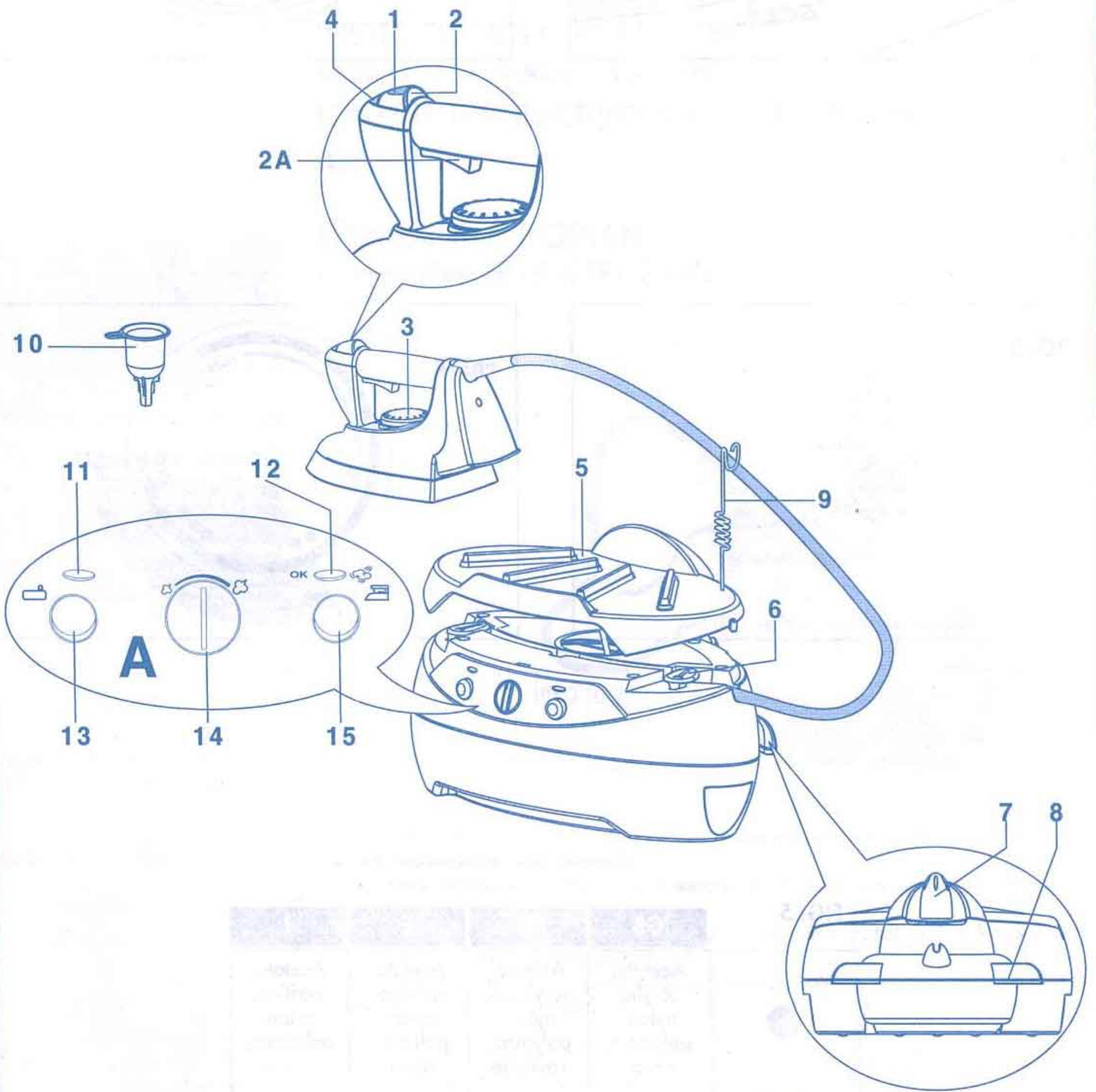


FIG. 5

	GB	F	E	I
●	Acetate, acrylic, nylon, polyester, rayon	Acétate, acrylique, nylon, polyester, rayonne	Acetato, acrílico, nylon, poliéster, rayón	Acetato, acrílico, nylon, poliestere, rayon
● ●	Silk	Soie	Seda	Seta
● ● ☁	Wool, cotto, fine linen	Laine, coton, lin fin	Lana, algodón, lino fino	Lana, cotone, lino fino
● ● ● ☁	Cotton, linen, starched, clothes	Coton, lin, tissus humectés amidonnés	Algodón, lino, tejidos almidonados	Coton, lino, tessuti inamidati



IMPORTANT SAFETY INSTRUCTIONS

When using electrical appliances, basic safety precautions should always be followed, including the following:

READ ALL INSTRUCTIONS BEFORE USING

1. Use appliance only for its intended use.
 2. To protect against a risk of electric shock, do not immerse the appliance in water or other liquids.
 3. The appliance should always be turned to "Off" before plugging or unplugging from outlet. Never yank cord to disconnect from outlet; instead, grasp plug and pull to disconnect.
 4. Do not allow cord to touch hot surfaces. Let appliance cool completely before putting away. Loop cord loosely around appliance when storing.
 5. Always disconnect appliance from electrical outlet when filling with water or emptying and when not in use.
 6. Do not operate appliance with a damaged cord or if the appliance has been dropped or damaged. To avoid the risk of electric shock, do not disassemble the appliance, take it to an authorised Customer Service Centre for examination and repair. Incorrect reassembly can cause a risk of electric shock when the appliance is used.
 7. Not intended for use by children. Close supervision is necessary for any appliance being used by or near children. Do not leave appliance unattended while connected or on an ironing board.
 8. Burns can occur from touching hot metal parts, hot water, or steam. Use caution when you turn a steam appliance upside down – there may be hot water in the reservoir.
 9. The use of an accessory attachment is not recommended by De'Longhi and may result in fire, electric shock or personal injury.
10. Do not operate the appliance if there is any damage caused by the absence of an earth connection on the power supply line. If in doubt, consult a qualified professional.
 11. Never leave the appliance filled with water in a room where it will be subject to a temperature below or equal to 0°C.
 12. After removing the packing, make sure the appliance is not damaged. If in doubt, do not use the appliance and contact a authorised Customer Service Centre.
 13. Do not leave packaging (plastic bags, polystyrene foam, etc) within reach of children as it could be dangerous.
 14. Noises could occur when the steam generator is heating up or cooling down. This is due to normal expansion of the metal it is made from.
 15. If the cap or hydraulic and electric safety system are damaged, have the components replaced with original spare parts by an authorised Customer Service Centre.
 16. To repair or if the power cable is damaged and requires replacement, contact your local dealer or an authorised Customer Service Centre in order to avoid compromising the efficiency of your appliance. For the same reasons, you are always recommended to use original spare parts.
 17. DO NOT OPEN THE CAP WHILE USING THE APPLIANCE OR BEFORE THE WATER IS COMPLETELY USED UP. This occurs when steam is no longer discharged by the appliance. To add water, unplug and wait about 15 minutes to avoid sudden temperature changes. Place a cloth over the cap and unscrew slowly to allow residual steam to escape gradually.
 18. Use the iron rest provided ONLY. If it is damaged, use an original replacement only.
- The use of all electrical appliances implies the observance of some fundamental rules. **IN PARTICULAR:**

- Never touch the appliance with wet or damp hands or feet. Never immerse the appliance in water.
- Never use the appliance in bathrooms.
- Never pull the power cable or the appliance with wet or damp hands or feet.
- Never let children or unfit persons use the appliance without supervision.
- Never leave the appliance plugged in as it could be a safety hazard.
- Before cleaning or servicing, disconnect the appliance by unplugging from the mains.
- In the event of malfunction or faulty operation,

SPECIAL INSTRUCTIONS

1. To avoid a circuit overload, do not operate another high wattage appliance on the same circuit.
2. If an extension cord is absolutely necessary, a minimum 13-ampere cord should be used. Cords rated for less amperage may overheat. Care should be taken to arrange the cord so that it cannot be pulled or tripped over.
3. Connect the appliance to an efficiently earthed power supply and sockets with a current rating of 15A.
4. The manufacturer cannot be considered responsible

- Do not use the iron on excessively damp clothes.
 - After ironing, allow the iron to cool before putting away.
 - Never use mixtures of stain removers or similar.
 - Unplug the appliance when not in use. Do not leave plugged in unnecessarily.
 - During use, the steam generator should not be moved.
 - Never unscrew the steam generator cap while the appliance is plugged into the mains.
 - The ironing system must be used on a stable ironing board.
 - If the ironing system is dropped causing visible damage to the appliance (boiler or iron), do not use. Take to an authorised service centre.
 - The steam generator should be placed on a flat surface extremely resistant to high temperatures.
- switch off and do not attempt to repair. For all repairs contact a Customer Service Centre appointed by the manufacturer only and ask for original spare parts. Failure to respect the above could reduce the safety of the appliance.
- When the appliance is to be discarded, after unplugging from the mains, the cable should be cut to make the appliance unusable.
 - If the power cable is damaged, it must be replaced by the manufacturer or an authorised service centre in order to eliminate all risk.
 - Never fill the appliance under running water.
 - All contact between the hot base and cables must be rigorously avoided.
 - If the safety thermistor is activated, the appliance switches off automatically. Before re-use, it must be serviced by a qualified professional.
 - Do not direct the steam jet toward people, animals or iron clothes while they are being worn as this could be dangerous.

SAVE THESE INSTRUCTIONS

THIS PRODUCT IS FOR HOUSEHOLD USE ONLY

The attachment plug of the power supply cord is of the 3-wire grounded type: this is a safety feature.

DESCRIPTION (SEE FIGURE ON PAGE 3)

- 1) Steam button lock
- 2) Steam discharge button
- 2A) Steam discharge button
- 3) Iron thermostat knob
- 4) "Ready iron" light
- 5) Removable iron rest
- 6) Clamps
- 7) Steam generator cap
- 8) Cable winder
- 9) Cable wand
- 10) Funnel

Control panel

- 11) "Steam generator on" light
- 12) "Steam ready" light
- 13) "Steam generator on" button
- 14) Steam regulator
- 15) Iron ON/OFF button

USEFUL TIPS

- The original appearance and softness of fabrics such as velvet or wool, or gloves, bags etc. can be restored by passing the iron a short distance away with the steam jet in operation.
- To remove the marks left by furniture and restore carpets to new, allow the steam to penetrate into the flattened pile and brush lightly.
- Do not rest or use the iron on zips, hooks, rings etc to avoid scratching the plate.
- Keep the surface of the plate clean. To clean, when cold, wipe the surface with a damp cloth.
- The iron must never be treated with descaling products.
- During use, the iron can be rested in a "vertical" position (fig. 3). Make sure the surface is level to avoid the iron falling over.
- After use, always wait for the iron to cool down before putting away.
- Store the iron in a dry place.
- After ironing, the water remaining in the steam generator need not be drained.

However, the appliance should be drained of water if left unused for long periods.

- Separate clothes according to the recommended ironing temperature and begin ironing with items requiring the lowest temperatures.
- Silk may be dry-pressed on the reverse.
- Wool, cotton and fine linen can either be steam-ironed on the reverse or on the right side, interposing a thin cloth between the iron and the fabric to avoid "shine".
- Starched fabrics require greater moisture.
- Iron whites and light colours on the right side and dark colours on the reverse. Embroidery should also be ironed on the reverse to make it stand out.
- Linen can be steam-ironed with abundant steam. Iron dark colours on the reverse to avoid "shine".
- Iron lapels on the right side to make them stand out.
- Each time the iron is used (including for the first time) or if you have not used the steam for several minutes, press the steam button several times away from the ironing board.
- This will eliminate cold water from the steam circuit.

INSTRUCTIONS

Preparing for ironing

This should always be done with the appliance cold and unplugged from the mains.

In this iron, the position of the steam/cable tube can be adapted to all working positions. If you want change the position, follow these instructions:

- lift the removable iron rest (5);
- turn the tube clamps outwards using a coin (fig. 1);
- extract the tube and position it on the opposite side, rotating it from the back of the control panel to avoid the internal cables twisting (fig. 2);
- fix by turning the clamps with a coin.

Unless the tube clamps are correctly closed, the iron rest cannot be positioned correctly.

never rest the iron on the appliance unless the iron rest is in position.



STEAM IRONING



Before steam ironing, make sure the fabric is suitable for this kind of ironing. The machine works with normal tap water. In case of very hard water (hardness above 27°F) we suggest using 50% distilled water diluted with tap water. Never use chemical substances or detergents (eg perfumed water, essences, descaling solutions, etc).

Filling the steam generator and connecting to the mains

Make sure the power cable is unplugged from the mains socket. Unscrew the steam generator cap (7) and fill the tank with water using the funnel (10). Screw up the cap (7) fully and plug the iron into the mains socket.


Important: never unscrew the cap (7) with the boiler under pressure.

Operation

Press the switch  (13) to turn on power to the steam generator. The "steam generator on" light (11) comes on. Press the switch  (15) to turn on power to the iron. The "iron on temperature" light (4) only comes on when the iron is at the ideal temperature and ready for use. The model is fitted with a steam regulation knob (14) enabling the quantity of steam to be increased or decreased. NB: When you turn the iron on, you are recommended to turn the steam regulation knob to the maximum steam position.

NB: When Steam is used for the first time, it is normal if a few drops of water drip out of the iron. This may occur each time the iron is turned on after a prolonged cool down.

NB: When used for the first time, the appliance may give off smoke and an odour for several minutes. This is caused by heating and subsequent drying of the sealers used in assembling the steam generator and iron. The room should be ventilated.

Position the thermostat regulation knob (3) in the area indicated in figure 4 according to the type of fabric to be ironed (fig. 6). Before ironing, wait until the "iron at temperature" light (4) goes off and the "steam ready"  light (12) comes on.

NB: both lights will go on and off during ironing, according to the temperature reached by the steam generator and iron.

This is part of normal operation and is not a cause for concern.

This device allows a continuous output of steam to be obtained by keeping the steam button pressed down mechanically, avoiding the need to do so manually.

To use, simply press the button (2) and slide the lock backwards.

To release the button, slide the lock forwards.

IMPORTANT: the tube connecting the iron to the steam generator may become hot.

TOPPING UP THE STEAM GENERATOR WITH WATER

When the water in the steam generator has run out, no more steam is given off. To refill, proceed as follows:

Turn the steam generator off using the switch (13).

Vent any steam left using the button (2) or (2A) on the handle of the iron.


Turn the iron off using the switch (15).

Unplug from the mains socket.

Unscrew the cap slowly and fill as described in the paragraph "filling the steam generator".

DRY IRONING

Plug the appliance into the mains.

Press the switch  (15) to turn power to the iron on. The light (4) comes on.

Position the thermostat regulation knob (3), according to the type of fabric to be ironed (fig.5).

NB: When the iron has reached the selected temperature, the light (4) goes out.

AFTER IRONING

Wait for the appliance to cool down then position the iron rest on the appliance (models with removable iron rest only).

Wrap the cable around the cable winder (8).

Subject to changes



This warranty applies to all products with De'Longhi or Kenwood brand names.

LIMITED WARRANTY

What does the warranty cover?

We warrant each appliance to be free from defects in material and workmanship. Our obligation under this warranty is limited to repair at our factory or authorized service center of any defective parts or part thereof, other than parts damaged in transit. In the event of a products replacement or return, the unit must be returned transportation prepaid. The repaired or new model will be returned at the company expense.

This warranty shall apply only if the appliance is used in accordance with the factory directions, which accompany it, and on an Alternating current (AC) circuit.

How long does the coverage last?

This warranty runs for three years (3) from the purchase date found on your receipt and applies only to the original purchaser for use.

What is not covered by the warranty?

The warranty does not cover defects or damage of the appliance, which result from repairs or alterations to the appliance outside our factory or authorized service centers, nor shall it apply to any appliance, which has been subject to abuse, misuse, negligence or accidents. Also, consequential and incidental damage resulting from the use of this product or arising out of any breach of contract or breach of this warranty are not recoverable under this warranty. Some states do not allow the exclusion or limitation of incidental or consequential damage, so the above limitation may not apply to you.

How do you get service?

If repairs become necessary, see contact information below:

U.S. Residents:

Please contact our toll free hotline at 1-800-322-3848 or log onto our website at www.delonghi.com.

For all accessories, spare parts or replacement parts, please contact our parts division at 1-800-865-6330.

Residents of Canada:

Please contact our toll free hotline at 1-888-335-6644 or log onto our website at www.delonghi.com.

Residents of Mexico:

Please refer to the Limited Warranty statement for Mexico.

Please refer to the back page of the manual for De'Longhi addresses.

The above warranty is in lieu of all other express warranties and representations. All implied warranties are limited to the applicable warranty period set forth above. This limitation does not apply if you enter into an extended warranty with De'Longhi. Some states do not allow limitations on how long an implied warranty lasts, so the above exclusions may not apply to you. De'Longhi does not authorize any other person or company to assume for it any liability in connection with the sale or use of its appliance.

How does state law apply?

This warranty gives you specific legal rights, and you may also have other rights, which vary from state to state.