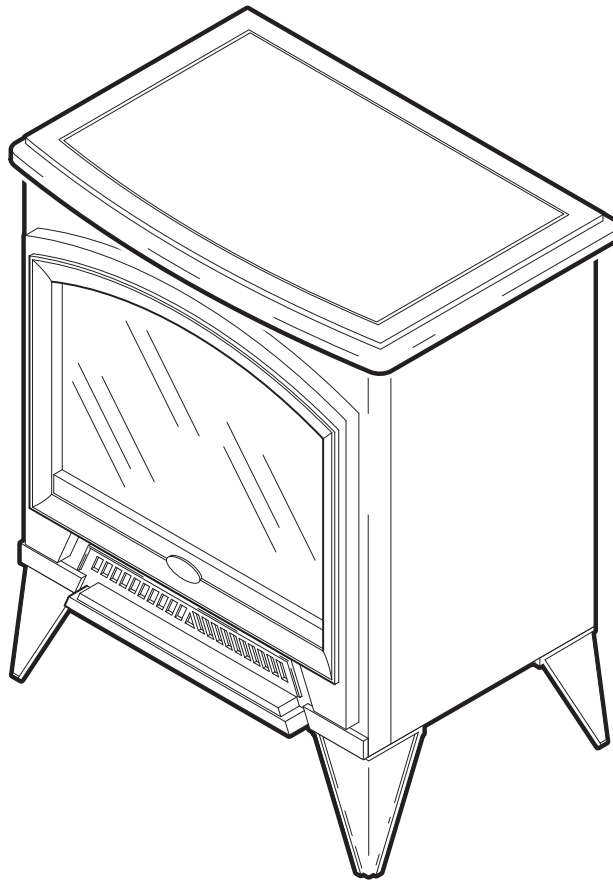


# SERVICE MANUAL

FOR

## COMPACT STOVE Model CS1205

**Dimplex<sup>®</sup>**



## TABLE OF CONTENTS

<b>OPERATION</b>	<b>PAGE 2</b>
<b>PARTS DRAWING</b>	<b>PAGE 3</b>
<b>PARTS LIST</b>	<b>PAGE 4</b>
<b>WIRING DIAGRAM</b>	<b>PAGE 5</b>
<b>LIGHT BULB REPLACEMENT</b>	<b>PAGE 6</b>
<b>HEATER ON/OFF SWITCH REPLACEMENT</b>	<b>PAGE 7</b>
<b>HEATER ASSEMBLY REPLACEMENT</b>	<b>PAGE 8</b>
<b>TERMINAL BLOCK REPLACEMENT</b>	<b>PAGE 9</b>
<b>FLAME MOTOR/FLAME ROD REPLACEMENT</b>	<b>PAGE 10</b>
<b>POWER CORD REPLACEMENT</b>	<b>PAGE 11</b>

## Compact Stove Controls

### A. Main on/off switch

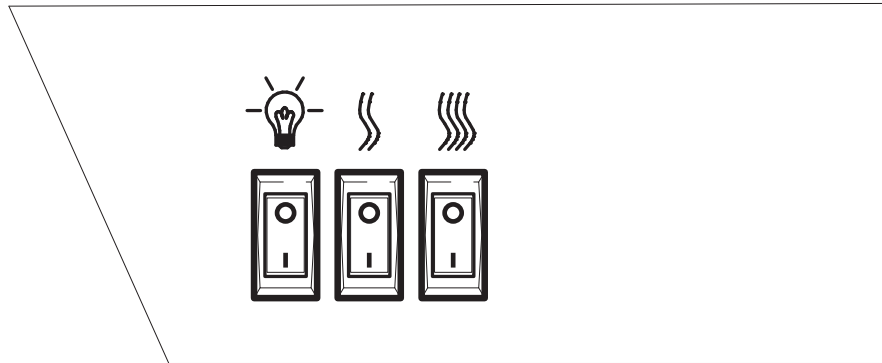
1. The fireplace has a manual power ON/OFF switch located on the lower right side of the stove.
2. To operate, press the switch to turn the unit on or off

### B. Low Heat Switch

Press this switch to turn the stove to low heat.

### C. High Heat Switch

Press this switch to turn the stove to high heat.

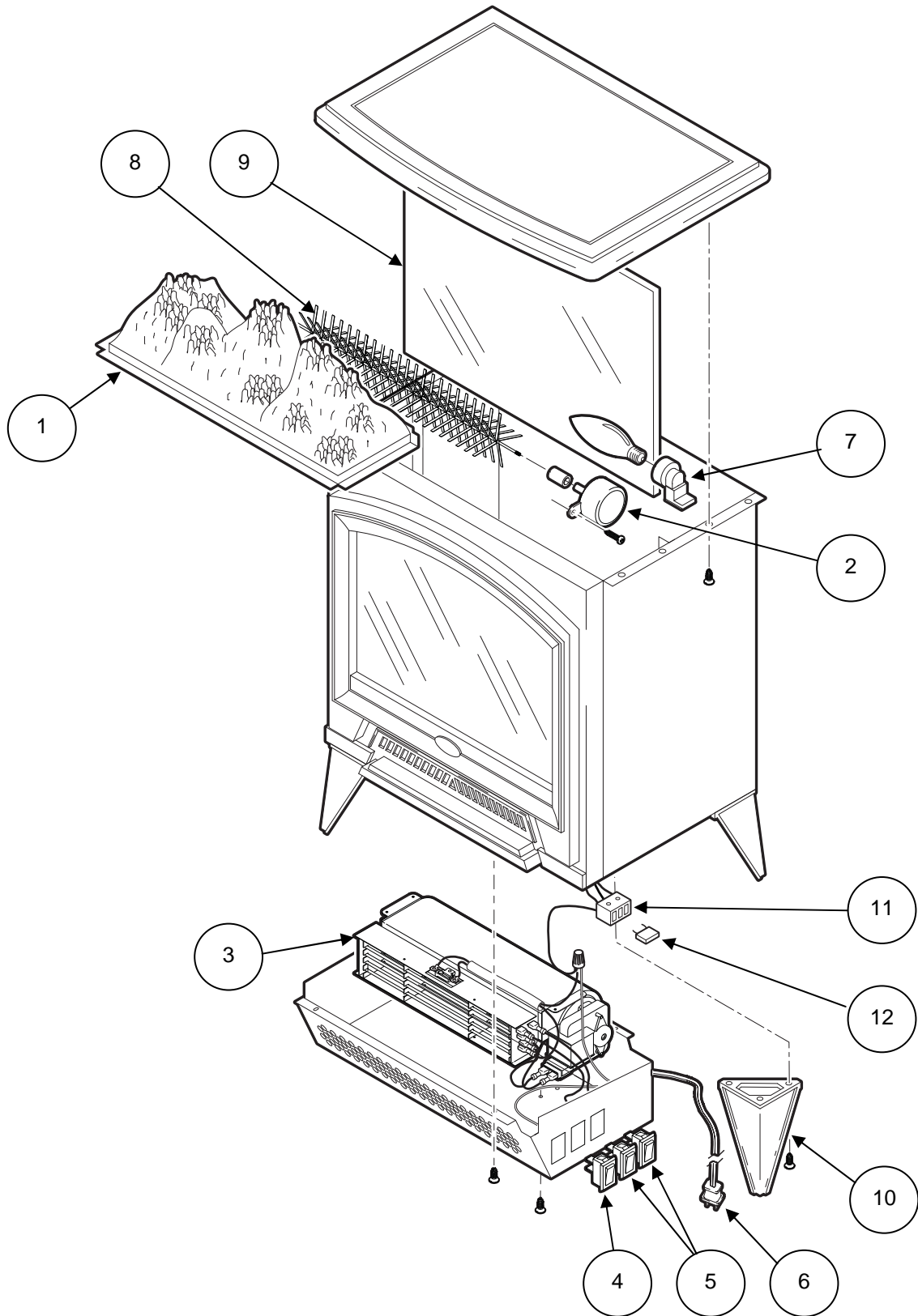


## RESETTING THE TEMPERATURE CUTOFF SWITCH

Should the heater overheat, an automatic cut out will turn the heater off and it will not come back on without being reset. It can be reset by switching the MAIN ON/OFF SWITCH to OFF and waiting 5 minutes before switching the unit back on.

### CAUTION

If you need to continuously reset the heater, unplug the unit and call Dimplex North America Limited at 1-888-346-7539.



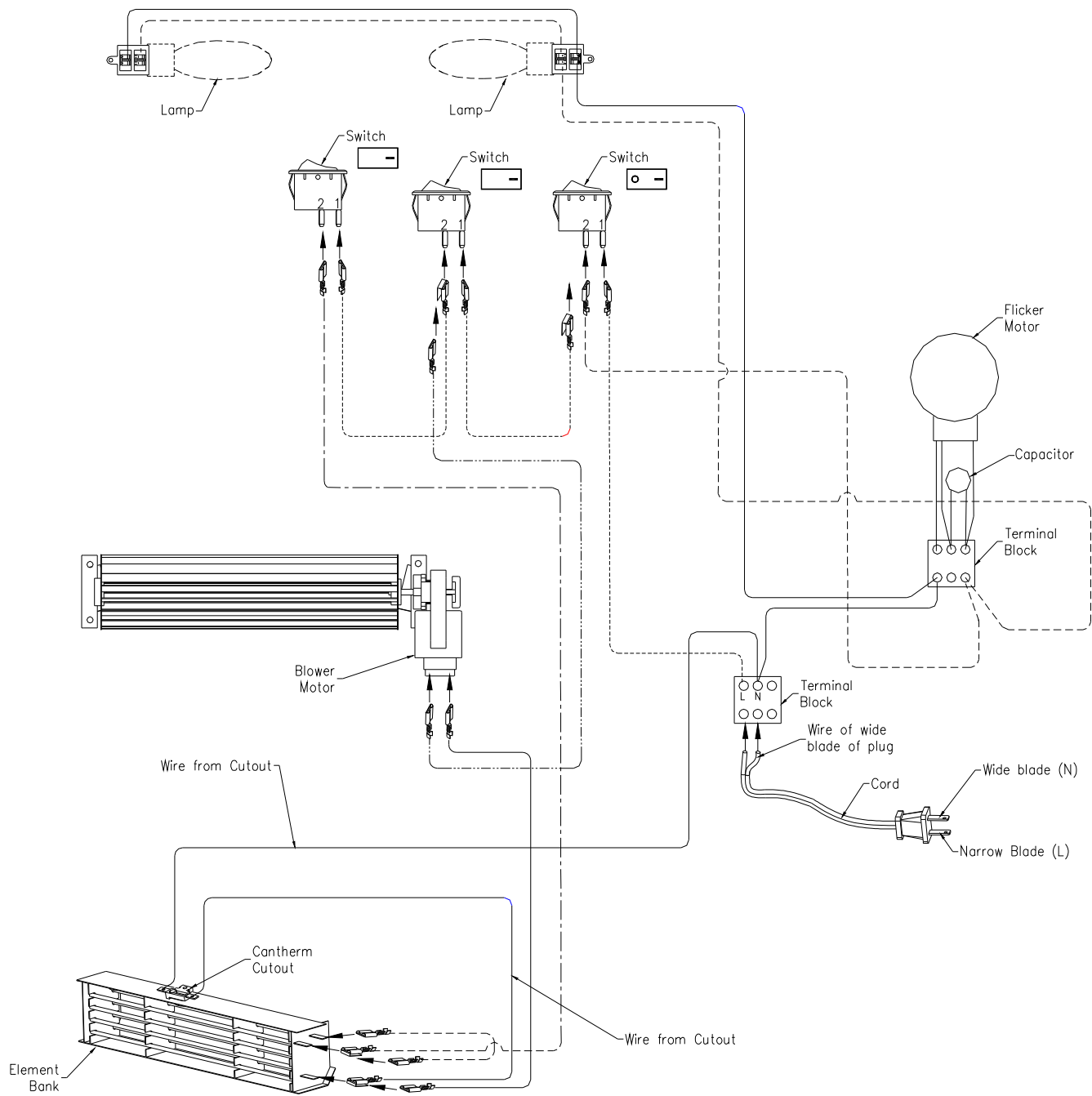
CS1205

## REPLACEMENT PARTS

### COMPACT STOVE, DIMPLEX CHARMGLOW

**PART NO.** 6902340100  
**MOD. LEVEL** B

REPLACEMENT PART	REPLACEMENT PART NO.
1. Log Set Assembly	0477850100RP
2. Flicker Motor 120V	2000210200RP
3. Heater Assembly (comes with cutout)	2200491000RP
4. Main On/Off Switch	2800070700RP
5. Heater Switch	2800070200RP
6. Cord Set 120V	4100090100RP
7. Moulded Lampholder	4200090100RP
8. Flicker Rod	5900250100RP
9. Mirror	5900530200RP
10. Foot	0477830159RP
11. Terminal Block	4000070100RP
12. Capacitor	2300030100RP



## CS1205

If unit was operating prior to servicing allow at least 10 minutes for light bulbs and heating element to cool off to avoid accidental burning of skin.

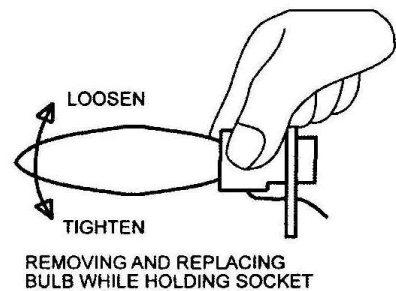
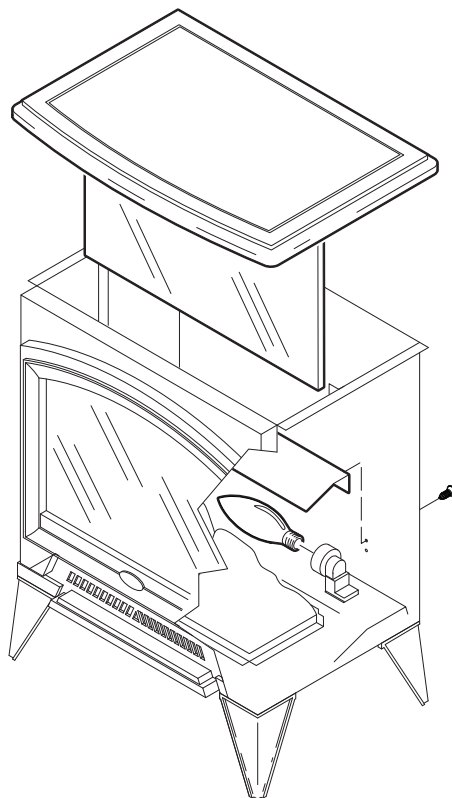
Disconnect power before attempting any maintenance or cleaning to reduce the risk of electric shock or damage to persons.

Light bulbs need to be replaced when you notice a dark section of the flame. There are four bulbs under the log set which generate the flames and embers.

It is a good idea to replace all of the light bulbs at one time if they are close to the end of their rated life. Group replacement will reduce the number of times you need to open the unit to replace the light bulbs.

### LIGHT BULB REPLACEMENT

1. Remove the 8 fastening screws on the top panel and remove the top of the stove.
2. Lift glass out and store in a safe place.
3. Remove the 5 fastening screws and lift the bulb shield out of the stove.
4. Examine the bulbs to determine which bulbs require replacement.
5. Hold the socket while unscrewing the bulb.
6. Hold the socket while screwing in the new bulb.
7. Replace the bulb shield and mirror and re-install the top of the stove.



### LIGHT BULB REQUIREMENTS

Quantity of 4 clear chandelier or candelabra bulbs with an E-12 (small) socket base, 60 watt rating.

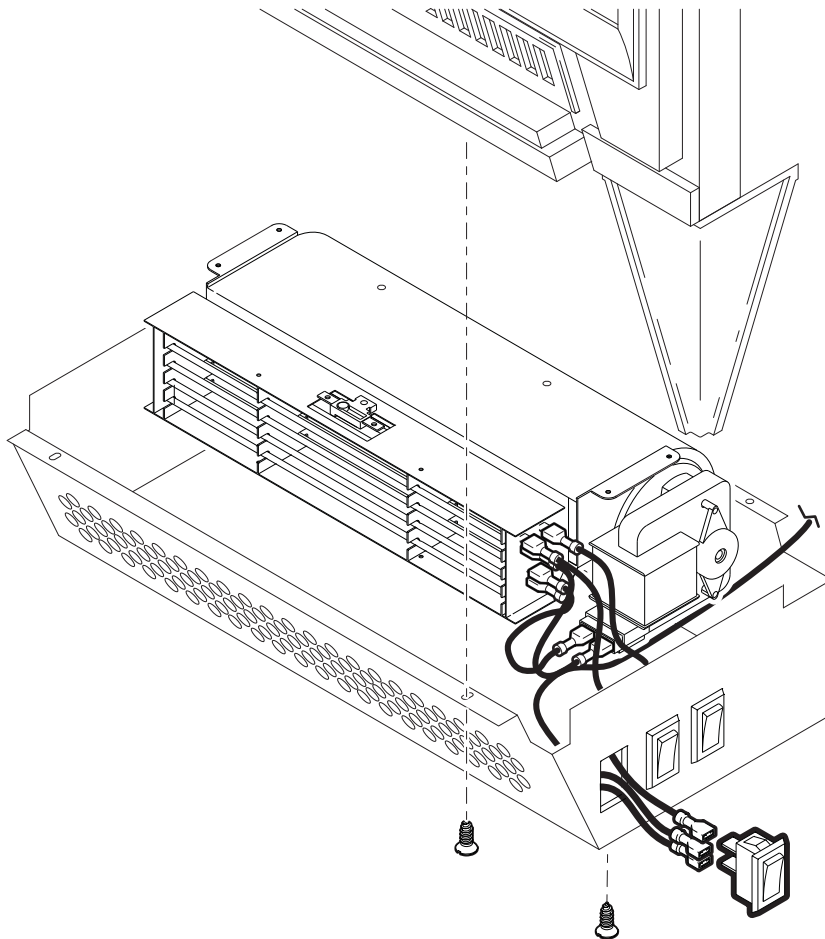
## CS1205

If unit was operating prior to servicing allow at least 10 minutes for light bulbs and heating element to cool off to avoid accidental burning of skin.

Disconnect power before attempting any maintenance or cleaning to reduce the risk of electric shock or damage to persons.

### TO REPLACE ON/OFF AND HEATER SWITCHES

1. Turn the stove over and place it top down.
2. Remove the bottom heater assembly cover being careful not to damage any of the wiring.
3. Remove the 4 heater retaining screws from the bottom of the heater assembly cover and move the heater to gain access to the switch connections.
4. Locate the switch to be replaced mounted on heater assembly cover and disconnect the wiring clips and connections noting their original locations.
5. Depress the retainer clips on the rear of the switch and push the switch out of the rear of the cover.





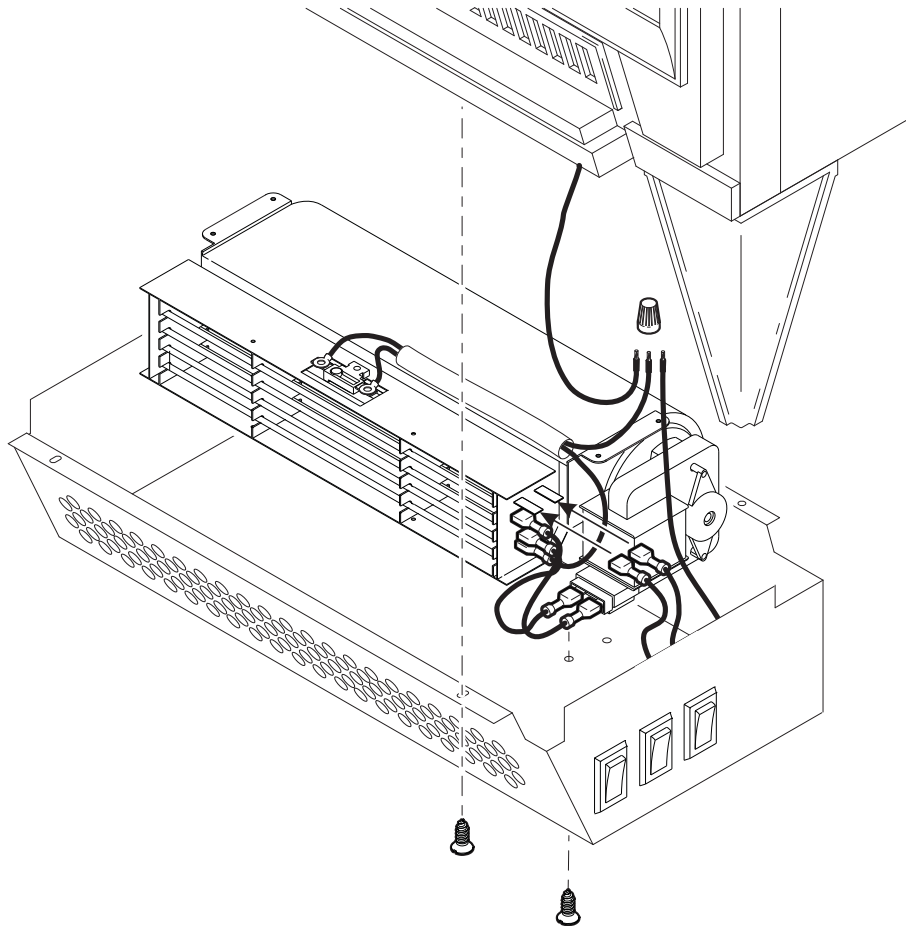
## CS1205

If unit was operating prior to servicing allow at least 10 minutes for light bulbs and heating element to cool off to avoid accidental burning of skin.

Disconnect power before attempting any maintenance or cleaning to reduce the risk of electric shock or damage to persons.

### TO REPLACE HEATER ASSEMBLY

1. Turn the stove over and place it top down.
2. Remove the bottom heater assembly cover being careful not to damage any of the wiring.
3. Remove the 4 heater retaining screws from the bottom of the heater assembly cover and move the heater to gain access to the heater connections being careful not to damage any of the wiring.
4. Disconnect the 2 heater switch leads from the heater.
5. Remove the wire nut and disconnect the thermal cut-out wire.
6. Remove the 2 mounting brackets from the bottom of the old heater and install them on the new heater.
7. Reassemble in the reverse order as above.



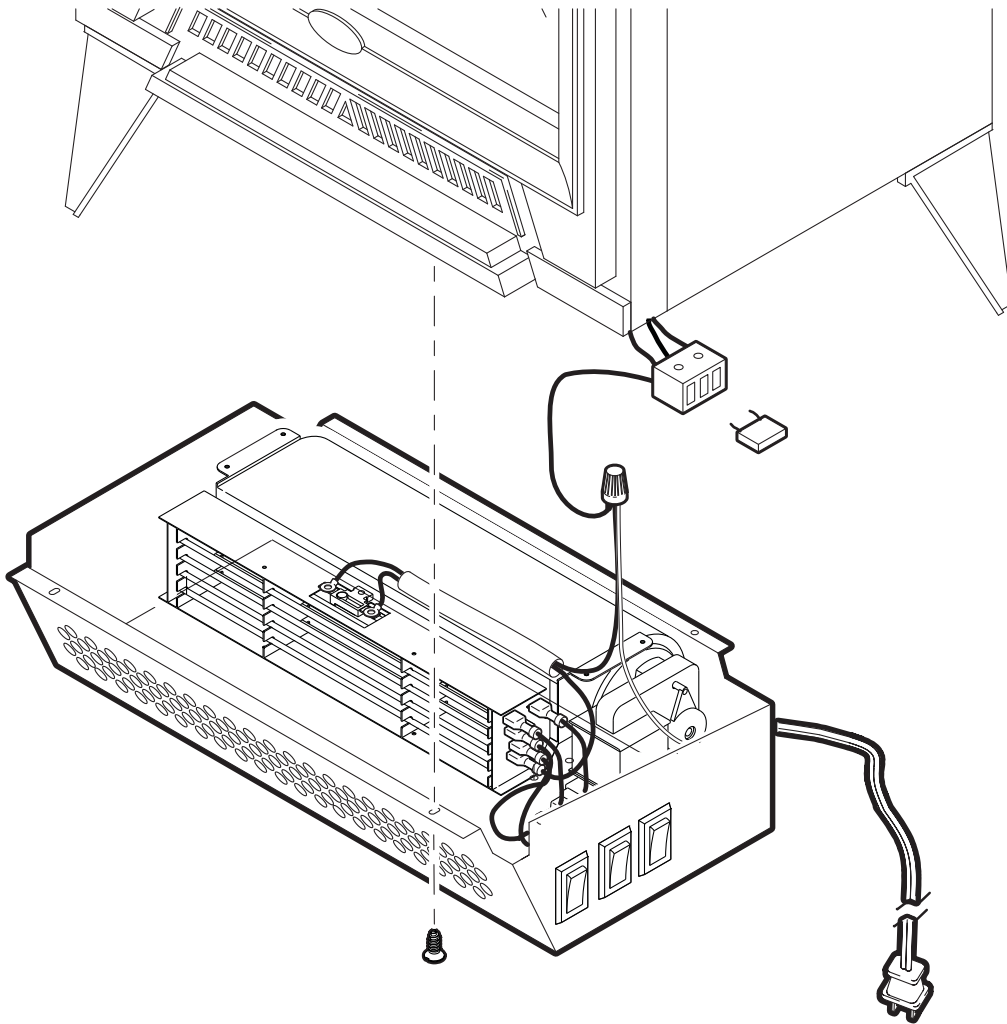
## CS1205

If unit was operating prior to servicing allow at least 10 minutes for light bulbs and heating element to cool off to avoid accidental burning of skin.

Disconnect power before attempting any maintenance or cleaning to reduce the risk of electric shock or damage to persons.

### TO REPLACE TERMINAL BLOCK

1. Lay the stove on its back with the front window facing upward.
2. Remove the bottom heater assembly cover being careful not to damage any of the wiring and lay it on the floor.
3. Loosen the connections on the terminal block and remove the wires noting their original locations.
4. Remove the capacitor from the terminal block
5. Using pliers to hold the nuts on the inside of the stove, remove the terminal block mounting screws.
6. Reassemble in the reverse order as above.



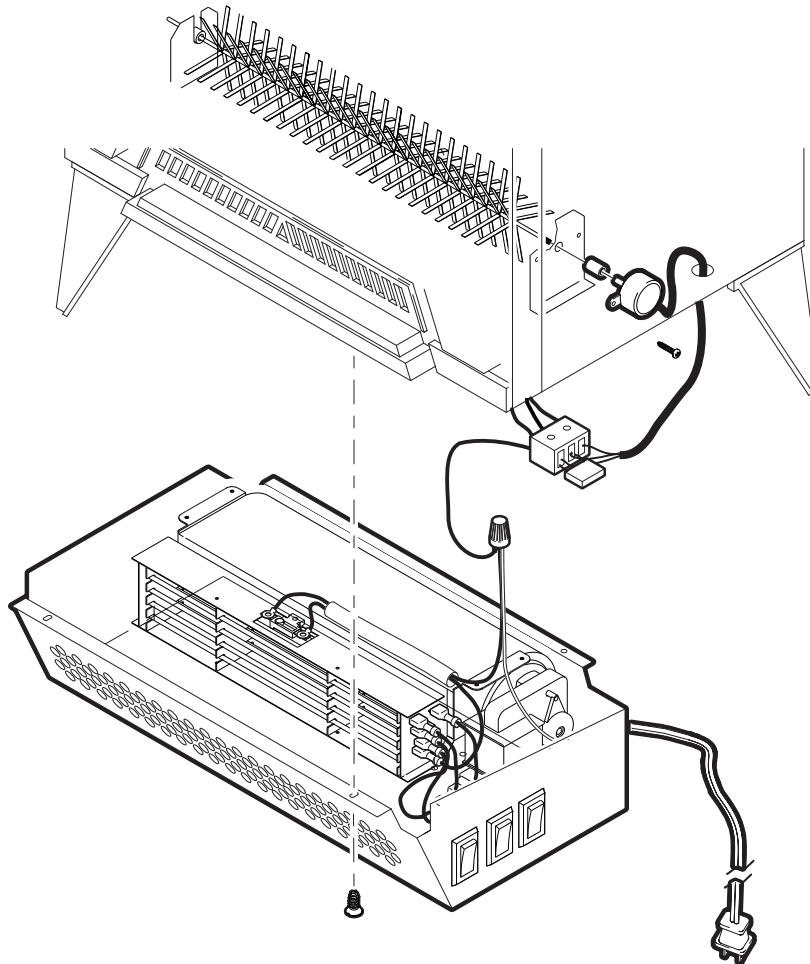
## CS1205

If unit was operating prior to servicing allow at least 10 minutes for light bulbs and heating element to cool off to avoid accidental burning of skin.

Disconnect power before attempting any maintenance or cleaning to reduce the risk of electric shock or damage to persons.

### TO REPLACE FLAME MOTOR/FLAME ROD

1. Remove the 8 fastening screws on the top panel and remove the top of the stove.
2. Lift glass out and store in a safe place.
3. Remove the log set by sliding to the rear of the stove and lifting out.
4. Remove the reflector rod from the flame motor by pulling the end of the rod to the left and separating it from the rubber sleeve.
5. Remove the rubber sleeve from the motor shaft.
6. Remove the 2 motor mounting screws and remove the flame motor.
7. Discard the old flame motor.
8. Lay the stove on its back with the front window facing upward.
9. Remove the bottom heater assembly cover being careful not to damage any of the wiring and lay it on the floor.
10. Loosen the flame motor connections on the terminal block and remove the wires noting their original locations.
11. Reassemble in the reverse order.



## CS1205

If unit was operating prior to servicing allow at least 10 minutes for light bulbs and heating element to cool off to avoid accidental burning of skin.

Disconnect power before attempting any maintenance or cleaning to reduce the risk of electric shock or damage to persons.

### TO REPLACE THE POWER CORD

1. Turn the stove over and place it top down.
2. Remove the bottom heater assembly cover being careful not to damage any of the wiring.
3. Remove the 4 heater retaining screws from the bottom of the heater assembly cover and move the heater to gain access to the switch connections.
4. Located and disconnect the power cord wiring connections from the heater and Main on/off switch noting their original locations.
5. With needle nose pliers grasp the power cord strain relief grommet from inside the rear panel and push while twisting to remove.
6. Pull the power cord out through the hole in the rear cover.
7. Install the new cord set through the hole in the rear cover by placing the strain relief over the cord, hold the strain relief with pliers and slide into mounting hole.
8. Connect all of the wiring connections in their original locations.
9. Reassemble in the reverse order as above.

