



2.1 Multimedia Speaker System



User Manual

(DA-10252)

Please read before use!

INTRODUCTION

- DA-10252 Multimedia 2.1 Channel Speaker System could be used with your CD, MP3, PC, TV and other compatible audio devices.

SPECIFICATION

Model Code: DA-10252

Output Power (Total): 16W

Speaker Driver Unit:

- Woofer: 3" 10W
- Satellite: (2.25" 3W) x 2

Frequency Response Range:

- 100hz-20khz

Size:

- Woofer 135x193x204mm
- Satellite 72x71x151mm

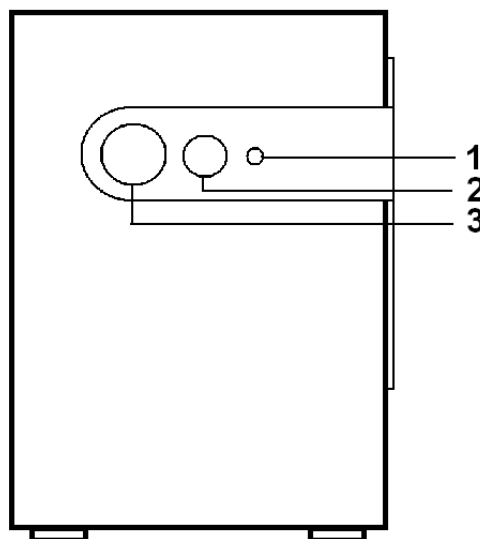
Power Supply Input:

- AC Power

FEATURES

- Stylish design.
- Wooden subwoofer.
- High quality drivers and a built in powerful amplifier.
- Compatible for DVD/VCD, CD, MP3, PC, TV.

CONTROLS



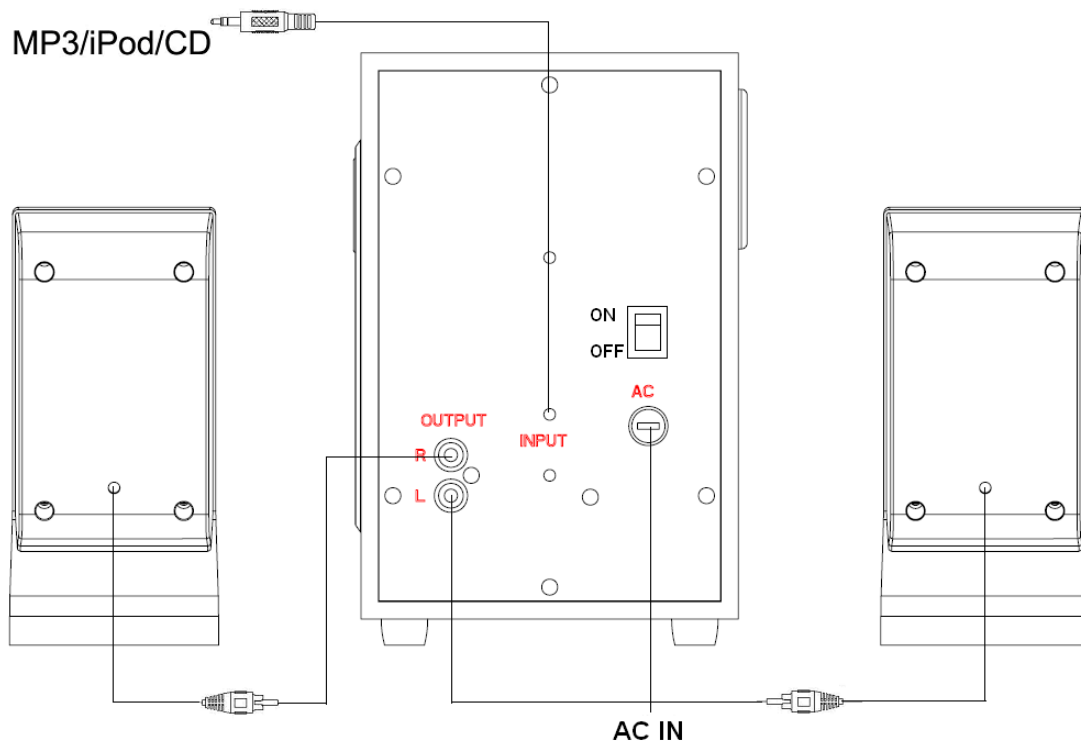
1. LED Indicator

2. Bass Control

3. Volume Control

OPERATION AND CONNECTION

- Please make sure the system and the devices are power off before establish any connection.



Please refer to the above figure for cable connection

- Step 1: Connect the device (PC/CD/MP3) with the Stereo Input Cable on the back panel.
- Step 2: Connect the two satellite speakers to the speaker output section on the back panel.
- Step 3: Connect the AC power and turn on the power button.
- Step 4: Adjust the Volume & Bass Control to your favor level

SAFETY INSTRUCTIONS

IMPORTANT

- Please unplug the system if any of the following conditions exist:
 1. The power cord or plug becomes frayed or otherwise damaged.
 2. Your system has been dropped or the enclosures have been otherwise damaged.
 3. Liquid has been spilt into a speaker enclosure.
 4. You suspect that your system needs repairing.
 5. Your system is exposed to rain or any other excessive moisture.

TROUBLESHOOTING

- If you experience problems during the installation of your system please first check the following conditions:
 1. Make sure all the connections between the system and devices are fully seated.
 2. Make sure that the power supply is switched on.
 3. If connected to a non-standard game console or audio device, please consult the manual of those devices for connection.

PRECAUTIONS

1. Your system should be situated away from heat sources such as radiators and heaters.
2. Do not place your system on an unstable table, stand, tripod or bracket.
3. Keep your system dry and avoid contact with damp or wet areas.
4. Read the instructions manual carefully before the installation of your system.
5. Keep this instruction manual for future reference.
6. Follow all the instructions in this manual to operate your system.

CLEANING

- Unplug this product from the power source before cleaning. Do not use liquid or aerosol cleaners. Use a soft cloth for cleaning.

WARNING

- Electrical equipment may be hazardous if misused.
- An adult must always supervise the operation of this product, or similar products.