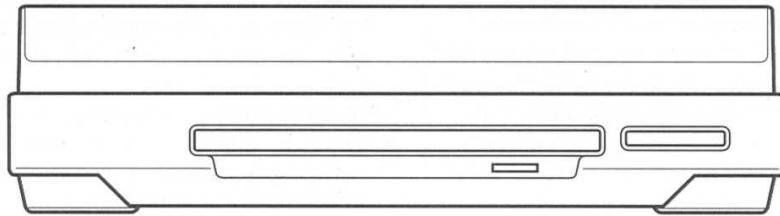


DENON

FULL AUTOMATIC TURNTABLE
LECTEUR TOTALMENT AUTOMATIQUE

DP-26F

OPERATING INSTRUCTIONS
MODE D'EMPLOI



English Page 2-10

Table of contents

Important Safety Instructions	2
Precautions	4
Before using the turntable.....	5
Connections	6
Controls	7
Record playback	8
Operation details	9
Manual playback	9
Locking the tone arm	9
Stylus replacement	9
Adjusting the lead-in position and tone arm lifter height	9
Troubleshooting	10
Specifications	10

Français Page 11-19

Table des matières

Précautions	12
Avant d'utiliser la table de lecture	13
Connexions	14
Commandes	15
Reproduction d'un disque	16
Détails de fonctionnement	17
Reproduction manuelle	17
Verrouillage du bras acoustique à la position de repos du bras acoustique	17
Remplacement de la pointe de lecture	17
Réglage de la position d'introduction et de la hauteur de l'élevateur du bras acoustique	18
Remèdes aux incidents	19
Spécifications	19

Important Safety Instructions

WARNING:
TO PREVENT FIRE OR SHOCK HAZARD, DO NOT
EXPOSE THIS APPLIANCE TO RAIN OR MOISTURE.



CAUTION
RISK OF ELECTRIC SHOCK
DO NOT OPEN



CAUTION: TO REDUCE THE RISK OF ELECTRIC SHOCK, DO NOT REMOVE COVER (OR BACK). NO USER SERVICEABLE PARTS INSIDE. REFER SERVICING TO QUALIFIED SERVICE PERSONNEL.



The lightning flash with arrowhead symbol within an equilateral triangle is intended to alert the user of the presence of uninsulated "dangerous voltage" within the product's enclosure that may be of sufficient magnitude to constitute a risk of electric shock to persons.



The exclamation point within an equilateral triangle is intended to alert the user of the presence of important operating and maintenance (servicing) instruction in the literature accompanying the appliance.

Please, record and retain the Model name and serial number of your set shown on the rating label.
Model No. DP-26F Serial No. _____

CAUTION:

- Read all of these instructions.
- Save these instructions for later use.
- Follow all warning and instructions marked on the audio equipment.

1. Handle the power supply cord carefully

Do not damage or deform the power supply cord. If it is damaged or deformed, it may cause electric shock or malfunction when used. When removing from wall outlet, be sure to remove by holding the plug attachment and not by pulling the cord.

2. Do not open the bottom cover

In order to prevent electric shock, do not open the bottom cover. If problems occur, contact your DENON dealer.

3. Do not place anything inside

Do not place metal objects or spill liquid inside the turntable. Electric shock or malfunction may result.

4. Read instructions - All the safety and operating instructions should be read before the product is operated.

5. Retain instructions - The safety and operating instructions should be retained for future reference.

6. Heed Warnings - All warnings on the product and in the operating instructions should be adhered to.

7. Follow instructions - All operating and use instructions should be followed.

8. Cleaning - Unplug this product from the wall outlet before cleaning. Do not use liquid cleaners or aerosol cleaners. Use a damp cloth for cleaning.

9. Attachments - Do not use attachments not recommended by the product manufacturer as they may cause hazards.

10. Water and Moisture - Do not use this product near water - for example, near a bath tub, wash bowl, kitchen sink, or laundry tub; in a wet basement; or near a swimming pool; and the like.

11. Accessories - Do not place this product on an unstable cart, stand, tripod, bracket, or table. The product may fall, causing serious injury to a child or adult, and serious damage to the product. Use only with a cart, stand, tripod, bracket, or table recommended by the manufacturer, or sold with the product. Any mounting of the product should follow the manufacturer's instructions, and should use a mounting accessory recommended by the manufacturer.

12. A product and cart combination should be moved with care. Quick stops, excessive force, and uneven surfaces may cause the product and cart combination to overturn.



13. Ventilation - Slots and openings in the cabinet are provided for ventilation and to ensure reliable operation of the product and to protect it from overheating, and these openings must not be blocked or covered. The openings should never be blocked by placing the product on a bed, sofa, rug, or other similar surface. This product should not be placed in a built-in installation such as a bookcase or rack unless proper ventilation is provided or the manufacturer's instructions have been adhered to.

14. Power Sources - This product should be operated only from the type of power source indicated on the marking label. If you are not sure of the type of power supply to your home, consult your product dealer or local power company. For products intended to operate from battery power, or other sources, refer to the operating instructions.

15. Grounding or Polarization - This product may be equipped with a polarized alternating-current line plug (a plug having one blade wider than the other). This plug will fit into the power outlet only one way. This is a safety feature. If you are unable to insert the plug fully into the outlet, try reversing the plug. If the plug should still fail to fit, contact

your electrician to replace your obsolete outlet. Do not defeat the safety purpose of the polarized plug.

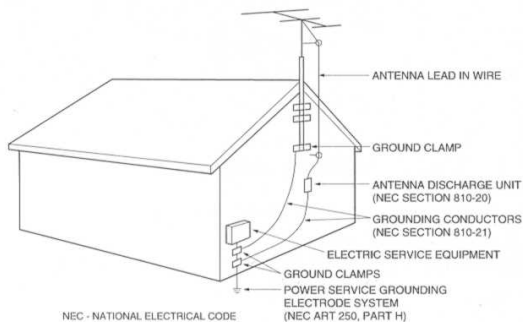
16. Power-Cord Protection - Power-supply cords should be routed so that they are not likely to be walked on or pinched by items placed upon or against them, paying particular attention to cords at plugs, convenience receptacles, and the point where they exit from the product.

17. Outdoor Antenna Grounding - If an outside antenna or cable system is connected to the product, be sure the antenna or cable system is grounded so as to provide some protection against voltage surges and built-up static charges. Article 810 of the National Electrical Code, **ANSI / NFPA 70**, provides information with regard to proper grounding of the mast and supporting structure, grounding of the lead-in wire to an antenna discharge unit, size of grounding conductors, location of antenna-discharge unit, connection to grounding electrodes, and requirements for the grounding electrode.

“Note to CATV system installer:

This reminder is provided to call the CATV system installer’s attention to Section 820-40 of the NEC which provides guidelines for proper grounding and, in particular, specifies that the cable ground shall be connected to grounding system of the building, as close to the point of cable entry as practical.”

Example of antenna ground as per National Electrical Code, ANSI/NFPA 70



8. Lightning - For added protection for this product during a lightning storm, or when it is left unattended and unused for long periods of time, unplug it from the wall outlet and disconnect the antenna or cable system. This will prevent damage to the product due to lightning and power-line surges.

19. Power Lines - An outside antenna system should not be located in the vicinity of overhead power lines or other electric light or power circuits, or where it can fall into such power lines or circuits. When installing an outside antenna system, extreme care should be taken to keep from touching such power lines or circuits as contact with them might be fatal.

20. Overloading - Do not overload wall outlets, extension cords, or integral convenience receptacles as this can result in a risk of fire or electric shock.

21. Object and Liquid Entry - Never push objects of any kind into this product through opening as they may touch dangerous voltage points or short-out parts that could result in a fire or electric shock. Never spill liquid of any kind on the product.

22. Servicing - Do not attempt to service this product yourself as opening or removing covers may expose you to dangerous voltage or other hazards. Refer all servicing to qualified service personnel.

23. Damage Requiring Service - Unplug this product from the wall outlet and refer servicing to qualified service personnel under the following conditions:

- a) When the power-supply cord or plug is damaged.
- b) If liquid has been spilled, or objects have fallen into the product.
- c) If the product has been exposed to rain or water.
- d) If the product does not operate normally by following the operating instructions. Adjust only those controls that are covered by the operating instructions as an improper adjustment of other controls may result in damage and will often require extensive work by a qualified technician to restore the product to its normal operation.
- e) If the product has been dropped or damaged in any way.
- f) When the product exhibits a distinct change in performance - This indicates a need service.

24. Replacement Parts - When replacement parts are required, be sure the service technician has used replacement parts specified by the manufacturer or have the same characteristics as the original part. Unauthorized substitutions may result in fire, electric shock, or other hazards.

25. Safety Check - Upon completion of any service or repairs to this product, ask the service technician to perform safety checks to determine that the product is proper operating condition.

26. Wall or Ceiling Mounting - The product should be mounted to a wall or ceiling only as recommended by the manufacturer.

27. Heat - The product should be situated away from heat sources such as radiators, heat registers, stoves, or other products (including amplifiers) that produce heat.

Precautions

Power requirements

Power requirements for electrical equipment differ from area to area. Please ensure that your machine meets the power requirements in your area. If it doubt, consult a qualified electrician.

About the power switch

This turntable is not equipped with a primary power switch. The power switch is incorporated in the tone arm of the turntable. The power to the turntable is cut when the tone arm returns to the tone arm rest. Note however, that the power is not completely turned off in this case. If you wish to completely turn the power off, disconnect the power cord from the household AC outlet.

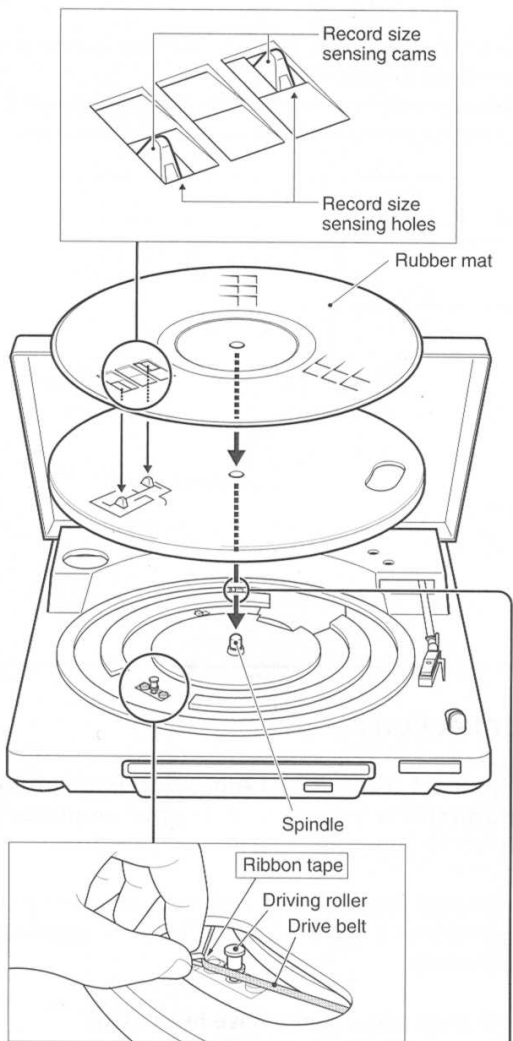
What you should know to protect yourself

- Never touch the plug with wet hands.
- Always pull out by the plug and never the cord.
- Only let a qualified professional repair or reassemble the turntable. An unauthorized person might touch the internal parts and receive a serious electric shock.
- Never allow a child to put anything, especially metal, into the turntable.

Protect the turntable too

- Use only a household AC power source. Never use a DC power source.
- If water is spilled on the turntable, disconnect it and call your dealer.
- Make sure that the turntable is well ventilated and away from direct sunlight.
- To avoid damage to the internal circuits and the external surface, keep it away from heat (stoves, etc.).
- Avoid using spray type insecticide near the turntable it can damage the finish and might ignite suddenly.
- To avoid damaging the finish, never use paint thinner or other similar chemicals to clean the turntable.
- Place the turntable on a flat and solid surface.
- If you don't plan to use the turntable for a long period of time, disconnect the power cord.
- To protect the insulators, always lift the turntable when you move it. And before moving the turntable, disconnect all the connecting cables.
- When transporting the turntable over a long distance, place it in its original box wrapped in protective wrappers.

Before using the turntable



- The drive belt is fitted under the platter. When assembling the player, please handle the drive belt with care.
- Remove all packing materials attached to the tone arm, except that on the stylus, and then open the dust cover and assemble. Remove the stylus cover after assembling.

1 Hold the turntable by the holes at its outer surface, and then carefully lower the turntable so that the center spindle enters the center hole. Rotate the platter until one of its outer openings is aligned with the driving roller. (Refer to illustration.)

2 Gently grasp and pull at the ribbon tape of the drive belt that is wound under the turntable, and then extend the belt around the driving roller. (After attaching, remove the ribbon tape.) In order to make sure that the drive belt has been correctly fitted, slowly rotate the platter 3 or 4 turns.

3 Place the rubber mat on the platter. Make sure that the record size sensing slots of the rubber mat and the record size sensing cams are properly aligned.

Note: If the sensing cams and the sensing slots are not properly aligned with each other, the record size cannot be detected, which may lead to poor operation.

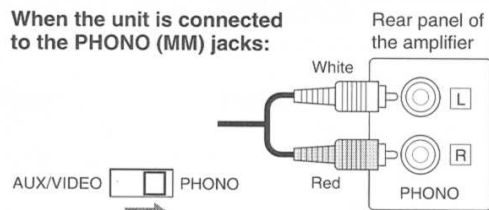
IMPORTANT! Please Check.

Check that the drive belt and ribbon tape have been attached under the platter. Grasp the ribbon tape as shown in the illustration to the left, and extend it onto the driving roller.

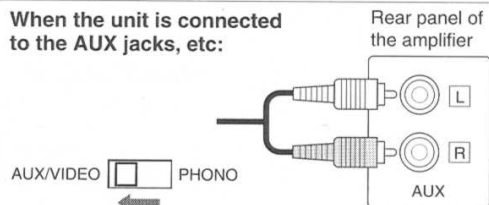
Equalizer Amplifier switch

This unit has built-in RIAA equalizer amplifier, so it can be connected to an amplifier without PHONO(turntable) input jack. According to the amplifier, set the EQUALIZER AMPLIFIER SWITCH.

When the unit is connected to the PHONO (MM) jacks:



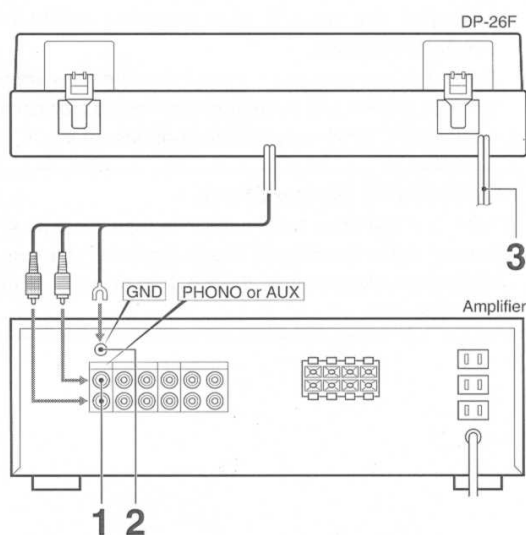
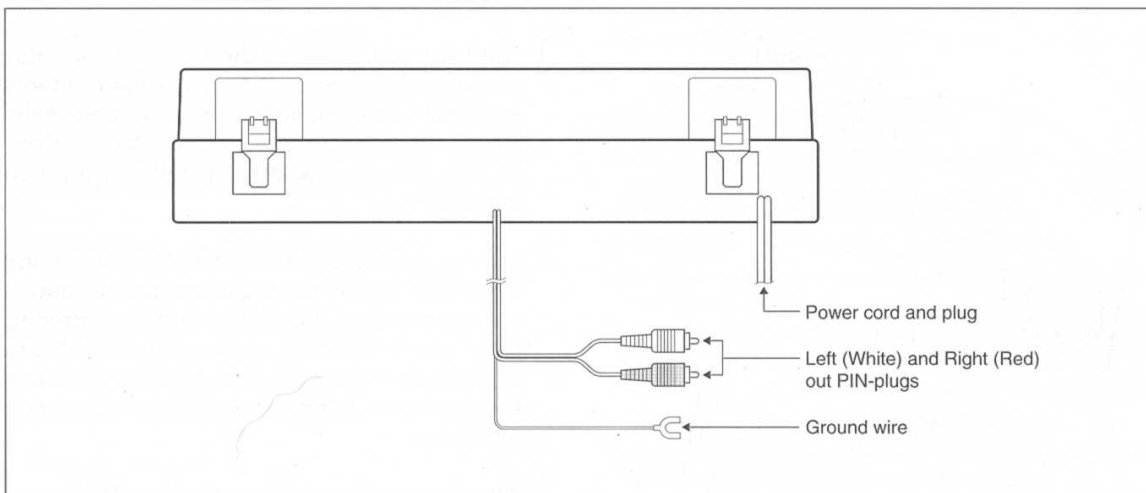
When the unit is connected to the AUX jacks, etc:



Connections

Before beginning

- Turn off components.
- Connect the power cord last.
- Connect everything securely. Loose connections can lead to distortion.
- To prevent damage to cords, connect and disconnect by holding the plug, not the cord.
- Make sure that you connect the white PIN-plug to the left (L-white) jack and the red PIN-plug to the right (R-red) jack.



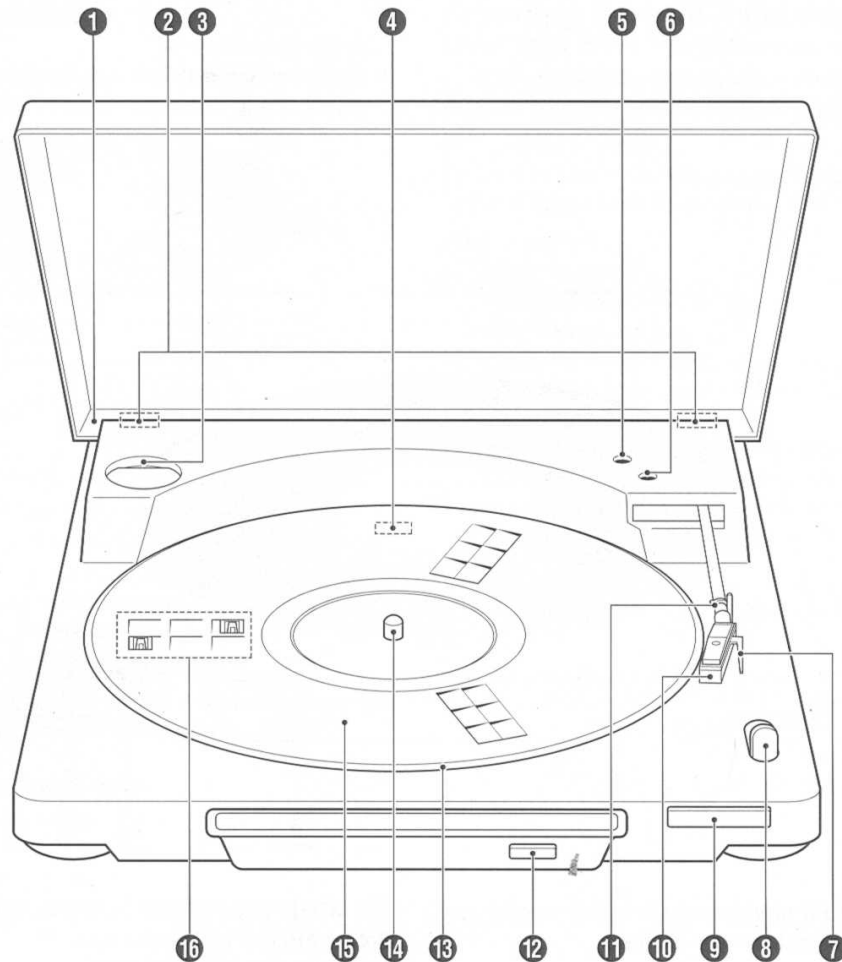
Connections

- 1** Connect the Left and Right PIN-plugs of the turntable's output cord to your amplifier's PHONO jacks etc.
- 2** Connect the ground wire of the turntable to your amplifier's GND (Ground) earth terminal securely.
- 3** After all connections have been made. Connect the turntable's power cord to the AC OUTLET of your stereo amplifier, optional audio timer or directly to a household AC outlet.

Note

- If the platter starts rotating when the power cord is connected, press the START/CUT button once.

Controls



1 Dust cover

2 Dust cover hinge

3 45 rpm adapter and holder

4 Equalizer amplifier switch

5 Lead-in adjustment screw hole
For adjusting the starting point during automatic playback.

6 Arm lifter height adjustment screw hole

7 Finger lever

8 **ARM LIFTER control lever (UP ▼ / DOWN ▼)**
For up and down control of the tone arm lifter.

9 **START/CUT button**
To start and stop playback.

10 Cartridge

11 **Tone arm rest and lock**
Holds and locks the tone arm.

12 **SPEED button (33 ■ / 45 ■)**
To select the playback speed.

13 Platter

14 Spindle

15 Rubber mat

16 **Record size sensing cams and slots**
Senses the record and its size (30 cm or 17 cm) for automatic playback.

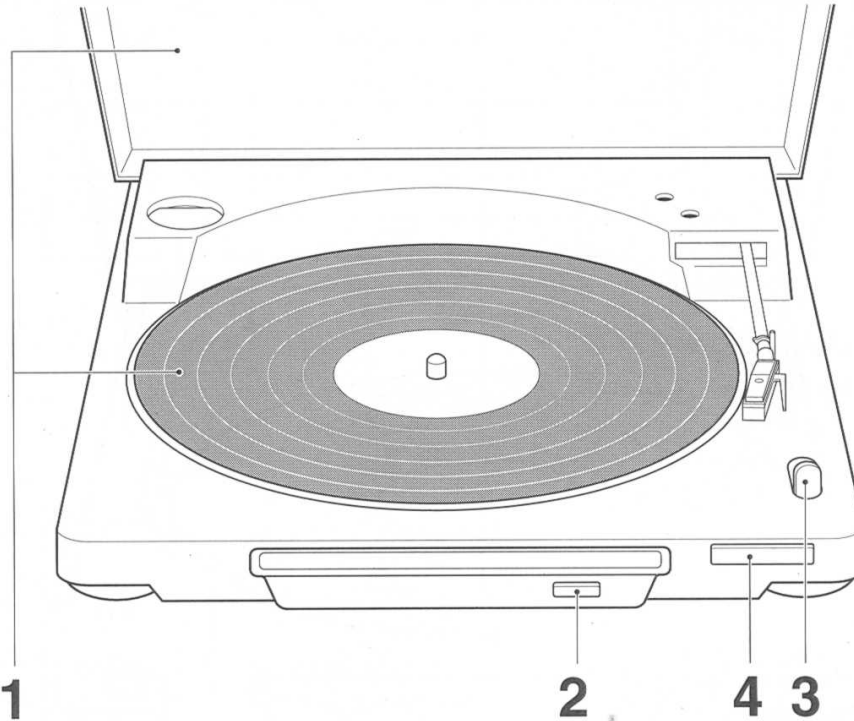
Record playback

Before beginning

- Turn on all the components.
- Set your amplifier's input selector to PHONO or AUX.
- Remove the stylus cover and release the tone arm lock

before playback.

- Use the provided 45 rpm adaptor when playing back 17 cm records (provided the center hole is a large one).



1 Open the dust cover and place the record you wish to playback on the platter.

2 Set the SPEED button according to the record playback speed.

- 33-1/3 rpm record Set to 33 ■
- 45 rpm record Set to 45 ■

3 Set the ARM LIFTER control lever to DOWN ▼.

4 Press the START/CUT button firmly for at least 1 second.

The platter will start rotating, and playback will start automatically.

After the full record has been played, the tone arm will return to the tone arm rest and the platter stops rotating automatically.

To stop playback

Press the START/CUT button.

Playback will stop and the tone arm will return to the tone arm rest.

To stop playback temporarily

Set the ARM LIFTER control to UP ▼.
The platter will continue to rotate.

To resume playback

Set the ARM LIFTER control to DOWN ▼.

Note

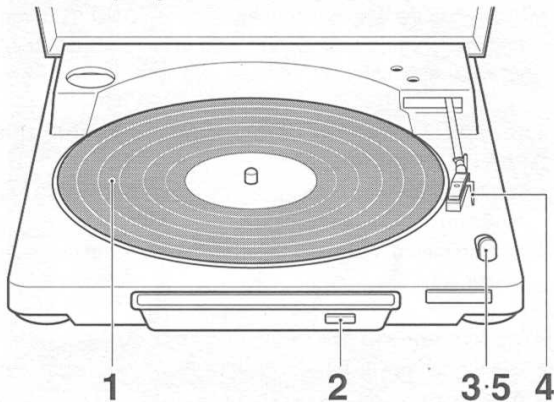
- If you wish to play another music track, set the ARM LIFTER control to UP ▼, then move the tone arm holding it by the finger lever.
When the tone arm is above the desired track, set the control to DOWN ▼.

On the automatic playback system

- Do not touch the tone arm and platter or turn off the power during playback.
- The auto return system is set to return the tone arm at a specific point on the record. There should be no problem with regular sized records, but with some record types which contain music grooves past this set point, playback will be interrupted.
- The following types of records cannot be used with the automatic playback system: 25 cm records, warped records and thin film type records. Playback these records manually. If the auto return system does not engage after playback is finished, press the START/CUT button.

Operation details

Manual playback



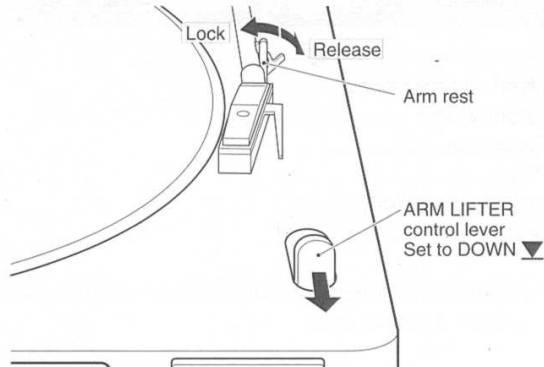
- 1 Place the record you wish to play back on the platter.
 - 2 Set the SPEED button according to the record.
 - 3 Set the ARM LIFTER control lever to UP ▼.
 - 4 Take hold of the finger lever, and move the tone arm to a point just above the beginning of the track you wish to play. The platter will start to rotate.
 - 5 Set the ARM LIFTER control to DOWN ▼.
- When playback is finished, the tone arm will return to the tone arm rest and the platter will stop rotating automatically.

Locking the tone arm

- (1) Place the tone arm in the tone arm rest.
- (2) Set the ARM LIFTER control lever to DOWN ▼, then lock the tone arm using the arm rest lock.

Before playback

Release the lock of the tone arm.

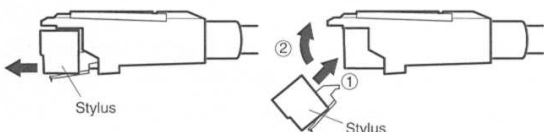


Stylus replacement

The provided stylus should be changed after approximately 400 hours of record playback. Grasp the cartridge firmly with one hand, and gently pull the stylus free from the cartridge with the other hand. Replace the stylus with the DSN-81.

Before replacing the stylus

Turn off the turntable and your amplifier.



Adjusting the lead-in position and the tone arm lifter height

Lead-in position adjustment

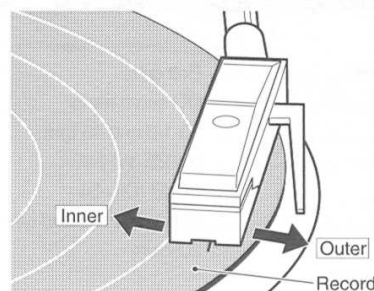
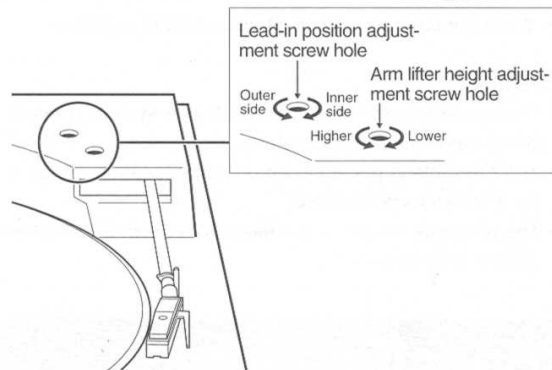
Adjust this if the tone arm will not lower the stylus accurately onto the beginning of the record groove (lead-in groove).

The lead-in adjustment screw hole is located on the sub panel, as illustrated. Please follow the procedure below.

How to adjust

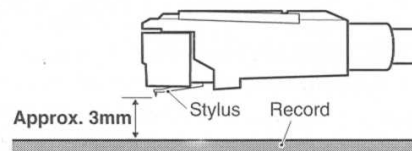
Use a 30 cm record (LP).

- (1) Proceed with automatic playback of the record and confirm where the tone arm descends.
- (2) After having checked the lead-in position, press the START/CUT button to stop playback and return the tone arm to the tone arm rest.
- (3) Turn the lead-in adjustment screw with a flat blade screwdriver. Turn the driver slowly for accuracy. Confirm the descending point after each adjustment. Turn clockwise to set towards the inside. Turn counterclockwise to set towards the other edge of the record.



Tone arm height adjustment

Record playback is interrupted when the tone arm is in the up position. For this to happen, the stylus must be more than approximately 3 mm above the surface of the record. If it is not, turn the arm lifter height adjustment screw to change the height. Turn counter-clockwise to increase the height, and check afterwards that record playback is interrupted when the ARM LIFTER control is set to UP ▼.



Troubleshooting

No power.

Platter is not turning.

- Power cord is not connected properly. Check the power cord connection.
- The drive belt is not fitted to pulley. Check the drive belt.

No sound.

- The output cords are not connected properly. Connect them securely to your amplifier's PHONO or AUX jacks.
- The input selector on your amplifier is not set to PHONO or AUX. Set to PHONO or AUX.
- The ARM LIFTER control lever is not set to DOWN ▼ when starting playback. Set the arm lifter control lever to DOWN ▼.

Scratching noise.

Stylus jumps.

Distorted sound.

- Dirty stylus or record. Clean both the stylus and record before playback.
- Worn out stylus or record. Replace stylus or record.

Howling.

- The turntable is too close to the speaker system. Move it away from the speaker system.
- The turntable is placed in an unstable location. Place it on a flat and solid surface.
- The playback volume is too high. Turn down the volume control of your amplifier.

Humming noise.

- The ground wire is not connected to the GND (Ground) terminal of your amplifier. Connect it to the GND (Ground) terminal securely.

The tone arm will not move when pressing the START/CUT button.

- The tone arm is locked to the tone arm rest. Release the tone arm lock before playback.
- Missing record. Place the record you wish listen to on the platter.

Auto system will not function properly.

- The rubber mat is not set properly. Place the rubber mat properly.
- The record sensing cams are not released. Check the record sensing cams on the platter.
- Irregular sized record is used. Play back the record manually.
- Lead-in adjustment is not properly done. Adjust the lead-in position.

Should a problem persist, write down the model and serial number and all pertinent data regarding warranty coverage as well as clear description of the existing trouble. Then contact your nearest authorized DENON service station.

Specifications

Drive system	Belt drive
Motor	DC servo motor
Speed	33-1/3 and 45 rpm
Wow & flutter	0.12% WRMS
Rumble	60 dB (DIN B)
Tone arm	Dynamic balanced type
Effective arm length	205 mm
Stylus pressure adjustment range	3.5 g (fixed)
Applicable cartridge weight	4.0 g
Cartilage	DSN-81
Output voltage	2.5 mV
Optimal stylus pressure	3.5 g
Channel balance	2 dB (1 kHz)
Channel separation	20 dB (1 kHz)
Power requirements	AC 120V, 60 Hz
Dimensions	360(W) x 97(H) x 370(D) mm 14-3/16(W) x 3-13/16(H) x 14-9/16(D) in
Weight	2.9 kg (6.4 lbs)

Standard accessories

45 rpm adaptor	1
Rubber mat	1
Platter	1
Operating instructions	1
Warranty card	1

- For improvement purposes, specifications and design are subject to without notice.