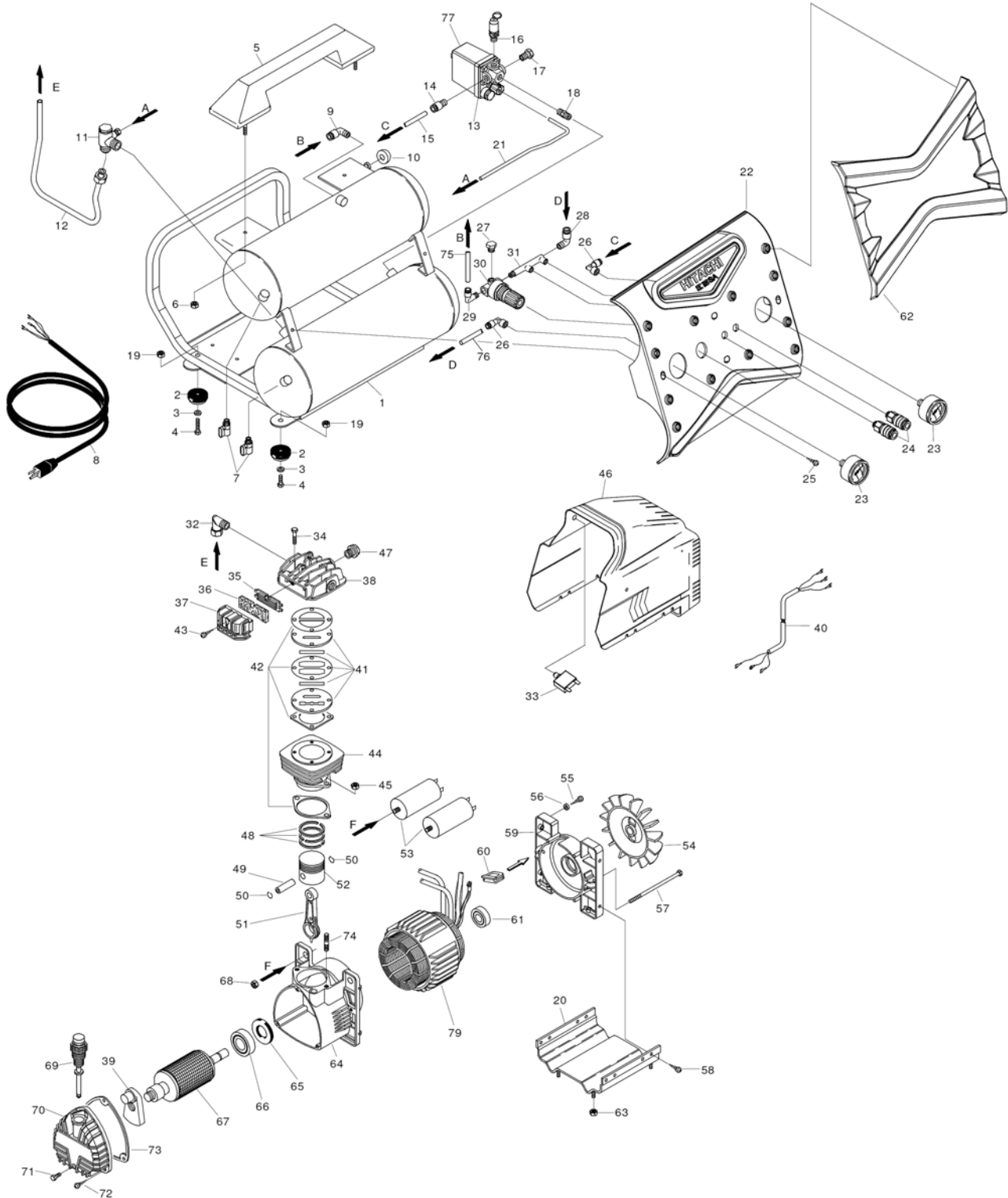


## ELECTRIC TOOL PARTS LIST

■ AIR COMPRESSOR  
Model EC 119SA

2007 • 04 • 04  
(E2)



Parts List

EC119SA

Item #	Code #	DESCRIPTION	NO USED	Remarks
1	160-577	TANK (BLACK)	1	9101490050
2	884-421	RUBBER (SET OF 4)	4	9700000257
3	881-573	WASHER, (10pcs.)	4	4084500000
4	881-683	SCREW, (5pcs.)	4	4084060000
5	884-423	HANDLE	1	4039010000
6	885-557	NUT FOR CAPACITOR & HANDLE	2	7020240000
7	882-610	DISCHARGE TAP 1/4", NPT	2	7130440000
8	881-503	CORD, ELECTRICAL W/GROUND WIRE	1	7328620000
9	884-425	JOINT	1	7083120000
10	884-453	KNOB	2	7101660000
11	160-591	NON RETURN VALVE	1	7190080000
12	884-428	INFEED TUBE	1	7230880000
13	882-609	PRESSURE SWITCH, INCLUDES ITEM 17	1	4089000020
14	881-680	JOINT	1	7084220000
15	881-675	TUBE D6 PRECUT	1	4089000019
16	881-493	SAFETY VALVE 1/4" 10bar	1	7192270000
17	881-513	PLUG	1	7090070000
18	881-511	JOINT	1	7081090000
19	881-401	NUT M6, (10pcs.)	4	4084410000
20	884-452	BASE	1	5011930008
21	881-675	TUBE D6 PRECUT	1	4089000019
22	885-802	INSTRUMENT PANEL	1	9101490020
23	884-430	PRESURE GAUGE, BSP (160-596, NPT THREAD GAUGE)	2	7110400000
24	191-051	1/4"NPTMx1/4"IND COUPLER	2	7130570000
25	884-431	SCREW, (10pcs.)	2	4084260000
26	884-432	JOINT	2	7080240000
27	881-678	PLUG	1	7090010000
28	885-805	JOINT	1	7080140000
29	884-425	JOINT	1	7083120000
30	885-807	PRESSURE REDUCER, (PUSH TO LOCK)	1	7100790000
31	885-808	MANIFOLD	1	9101490010
32	881-552	JOINT	1	7084040000
33	881-588	THERMAL PROTECTOR	1	7410760000
34	881-551	SCREW, (HEAD BOLT), (5pcs.)	4	4084130000
35	881-453	FILTER PLATE	1	7458340000
36	881-553	FILTERING ELEMENT	1	7210010000
37	881-554	INTAKE FILTER HOUSING	1	7210430000
38	160-581	HEAD, (INCLUDES ITEM 47)	1	4020800020
39	160-583	COUNTER WEIGHT	1	9100010290
40	881-518	ELECTRIC CABLE	1	7329040000
41	881-556	VALVE PLATE SET	1	4230080000
42	881-555	Set of 4 Gaskets	1	4089000009
43	881-412	SCREW, (10pcs.)	1	4084240000
44	881-558	CYLINDER (CAST IRON)	1	7575240000
45	881-489	NUT, (10pcs.)	2	4084380000
46	160-584	HOUSING	1	9100590070
47	160-615	START VALVE	1	9700000265
48	881-559	KIT of 3 PISTON RINGS D50	1	4089000011
49	881-560	PISTON PIN D12 8x42	1	7050020000
50	881-463	RETAINING RING, (5pcs.)	2	4084580000

**Parts List**

**EC119SA**

Item #	Code #	DESCRIPTION	NO USED	Remarks
51	881-561	CONNECTING ROD	1	4089000012
52	881-567	PISTON D50	1	7220020000
53	881-515	CAPACITOR	2	7310430000
54	881-565	FAN	1	7200070000
55	884-444	SCREW, (10pcs.)	1	4084300000
56	881-485	WASHER, (10pcs.)	1	4084540000
57	881-480	TENSION ROD, (2pcs.)	2	4084340000
58	881-479	SCREW, (5pcs.)	4	4084270000
59	881-486	COVER	1	5110061008
60	881-487	RUBBER SEAL/CHOCK	1	7500030000
61	6203ZZ	BEARING	1	
62	885-815	DECORATION	1	9101490030
63	881-589	NUT, (10pcs.)	4	4084420000
64	884-448	CARTER	1	5070320008
65	881-474	SMIM RING	1	7071020000
66	881-466	BEARING	1	7060060000
67	160-574	CRANKSHAFT & ROTOR	1	9100590100
68	885-557	NUT FOR CAPACITOR & HANDEL	2	7020240000
69	881-469	OIL DIPSTICK	1	4089000000
70	881-470	CARTER COVER	1	7650020000
71	884-450	SCREW, DRAIN CAP	1	7011430000
72	160-607	SCREW, (10pcs.)	3	4084920000
73	881-473	CRANKCASE COVER GASKET	1	7078460000
74	881-566	STUD BOLT, (3pcs.)	2	4084320000
75	884-451	TUBE	1	7230080000
76	881-675	TUBE D6 PRECUT	1	4089000019
77	160-580	PRESSURE SWITCH COVER	1	7252530000
79	160-576	MOTOR STATOR	1	9100590113
		<b>Optional Accessories:</b>		
	19210B	COMPRESSOR OIL (12 box,8oz bottles SAE5W50)		
	191021	3/8"NPT Mx1/4"IND COUPLER 1each (COMPRESSOR)		
	190061	3/8"NPT Fx1/4"IND PLUG 1each (HOSE END)		
	19407	AIR HOSE 100'x3/8"RUBBER		
	191151	3/8"NPT Fx1/4"IND COUPLER 1ea (HOSE END)		
	190051	3/8"NPTMx1/4"IND PLUG 1each (NAILER W/ 3/8" OPENING)		
		C/F = Call Factory		

Parts are subject to change without any obligation on the part of the HITACHI due to improvements.