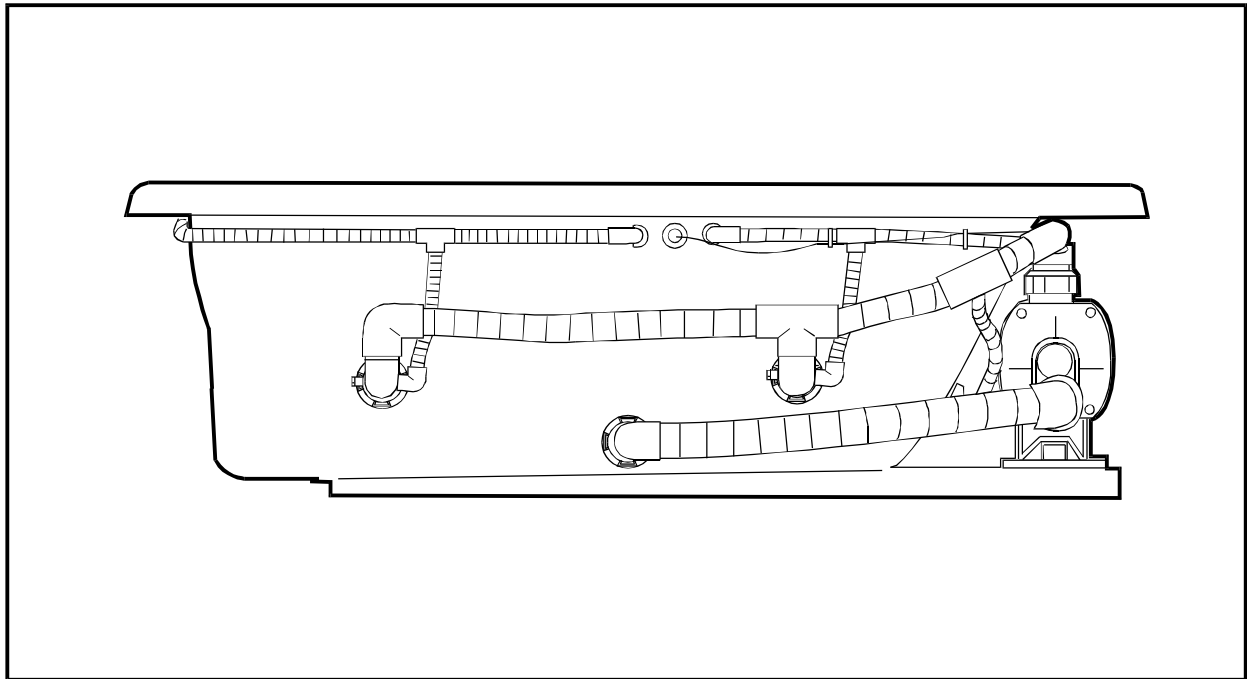


Guillen's Enterprises, inc  
jacuzzi.com  
800-222-7855



# The NOVA™ Whirlpool Bath



## PARTS CATALOG

MODEL #4480000  
MODEL #9230000  
MODEL #E930000  
MODEL #E936000  
ISSUE DATE: 7/95  
CATALOG #G735000

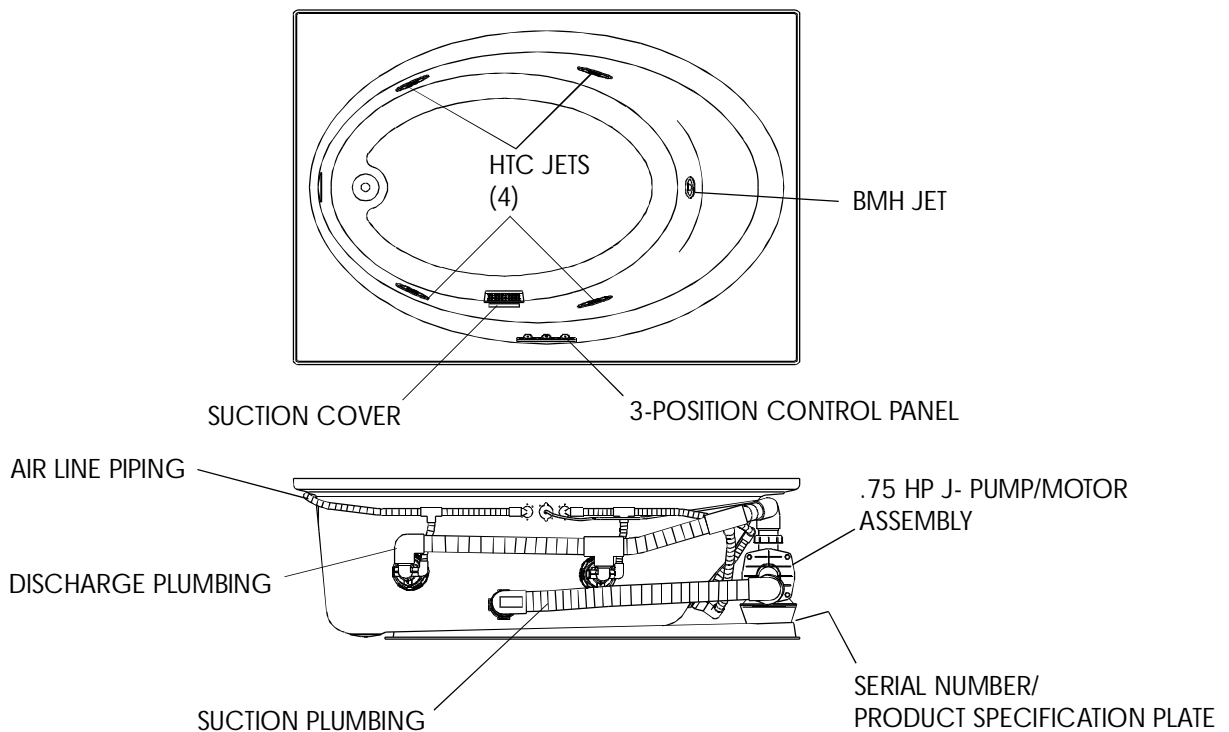
Discharge Plumbing _____	1
Suction Plumbing _____	2
Air Line Piping _____	3
3-Position Control Panel _____	4

See General Bath Parts Catalog for information on the following:

- J-PUMP/MOTOR ASSEMBLY
- OTHER ITEMS AVAILABLE
- FAUCET VALVE
- LAMP ASSEMBLY
- SUCTION FITTING/COVER ASSEMBLY
- HTC JET
- BMH JET
- DRAIN/OVERFLOW

### TO ORDER

Order by part number unless otherwise noted. Quantities shown in this catalog indicate the number of items required. When ordering, specify the quantity needed.

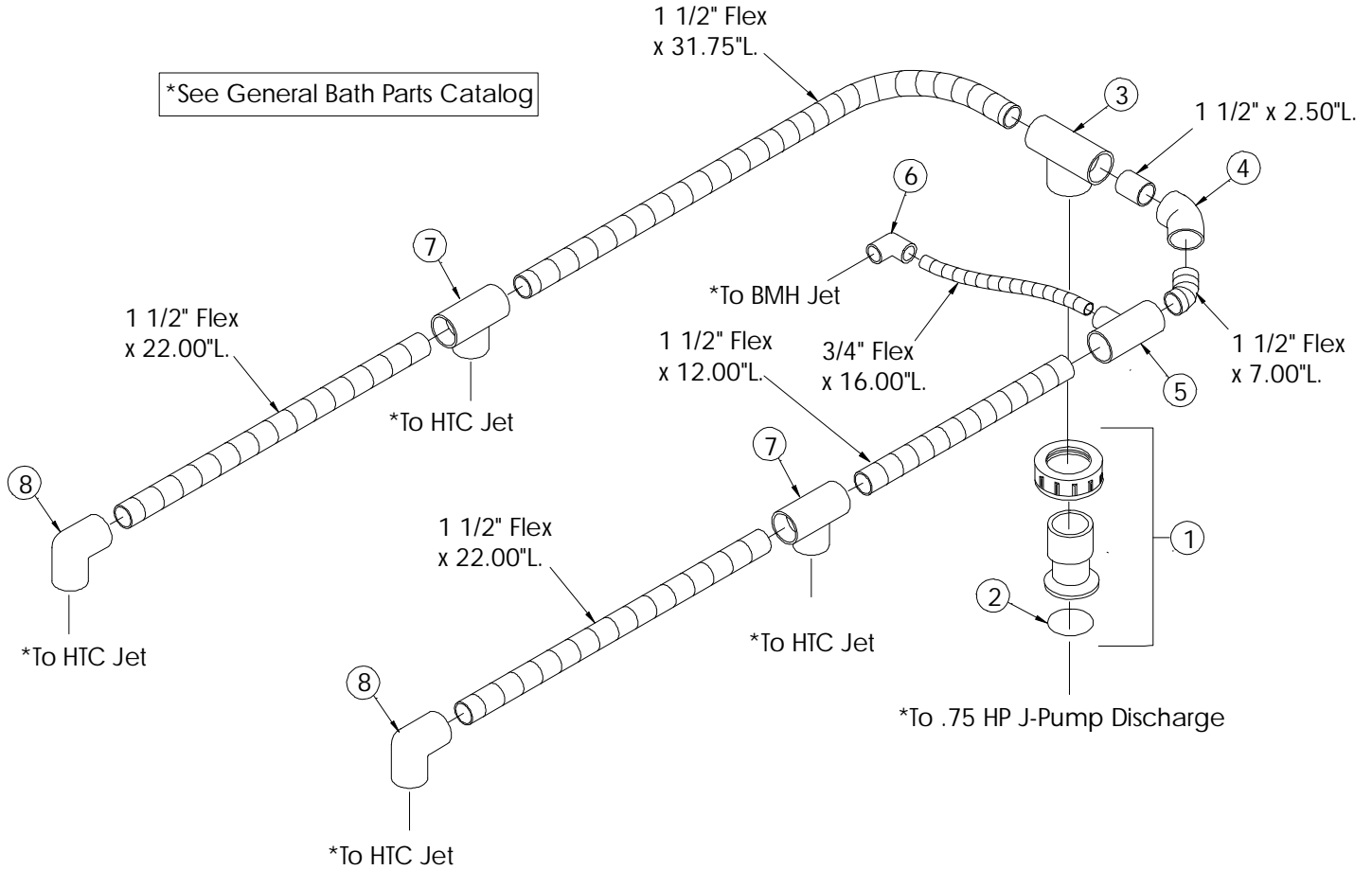




# NOVA

MODEL #4480000  
MODEL #9230000  
MODEL #E930000  
MODEL #E936000  
ISSUE DATE: 7/95

## DISCHARGE PLUMBING



ITEM	P/N	DESCRIPTION	QTY
1	9250000	Repair Kit, Union Adapter	1
2	9231000	O-Ring, Union	1
3	2949000	Tee, Rdcng, 1 1/2" x 1 1/2" x 2"	1
4	0157000	Ell, 45, 1 1/2", S x S	1
5	D189000	Tee, Rdcng, 1 1/2" x 1 1/2" x 3/4", S x S x S	1
6	D221000	Ell, 3/4", 90, S x S	1
7	0167000	Tee, 1 1/2", S x S x S	2
8	0239000	Ell, 90, 1 1/2", S x S	2

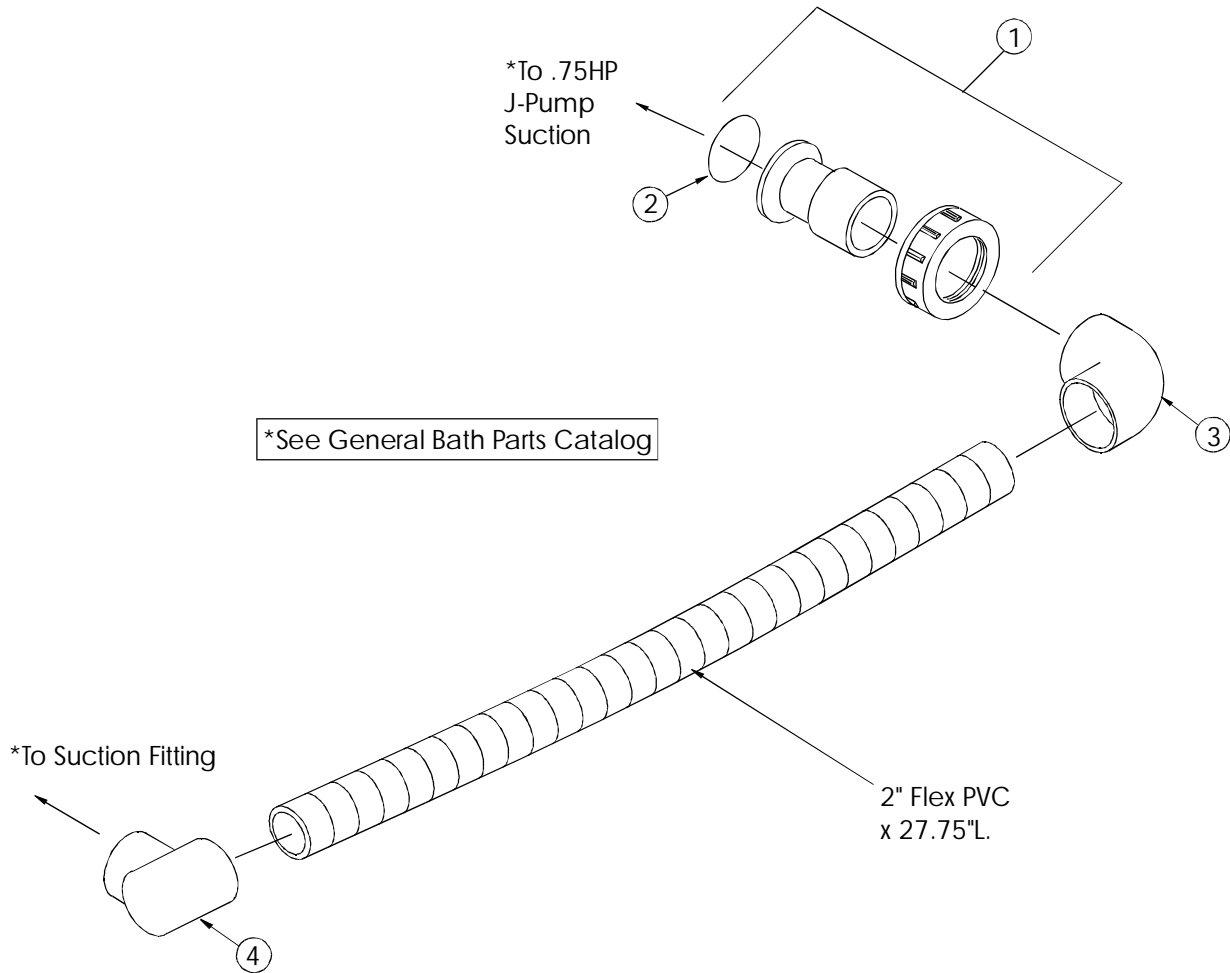


# NOVA

MODEL #4480000
MODEL #9230000
MODEL #E930000
MODEL #E936000
ISSUE DATE: 7/95

## SUCTION PLUMBING

NOTE: Apply flex PVC primer to flex PVC prior to bonding with flex PVC cement.



ITEM	P/N	DESCRIPTION	QTY
1	9250000	Repair Kit, Union Adaptor	1
2	9231000	O-Ring, Union	1
3	0426000	El, 90, 2", S x S	1
** 4	B072000	El, Drain Down, RH	1
*** 4	B071000	El, Drain Down, LH	1

\*\* Used on LH Nova Units  
 \*\*\*Used on RH Nova Units

Item 2 is included when Item 1 is ordered. Item 2 can be ordered individually.

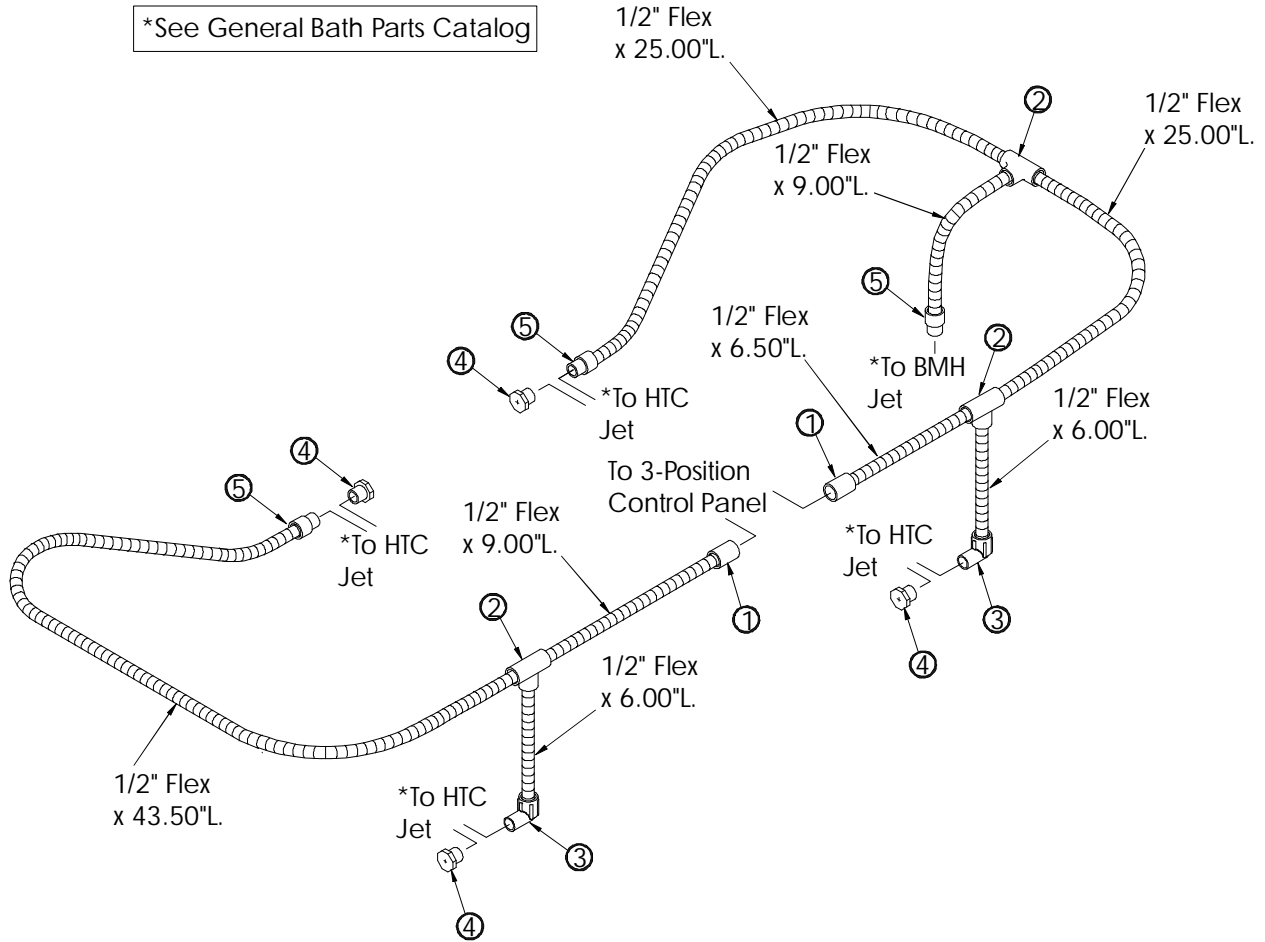


# NOVA

MODEL #4480000  
 MODEL #9230000  
 MODEL #E930000  
 MODEL #E936000  
 ISSUE DATE: 7/95

## AIR LINE PIPING

Apply flex PVC primer to flex PVC prior to bonding with flex PVC cement.



ITEM	P/N	DESCRIPTION	QTY
1	0647000	Coupling, 1/2" S x S	2
2	0455000	Tee, 1/2" S x S x S	3
3	7164000	El, Street, 1/2" 90	2
4	B777000	Plug, 1/2" SPIG	4
5	C279000	Adapter, 1/2" S x SPGT	3

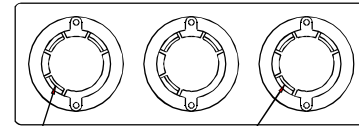


# NOVA

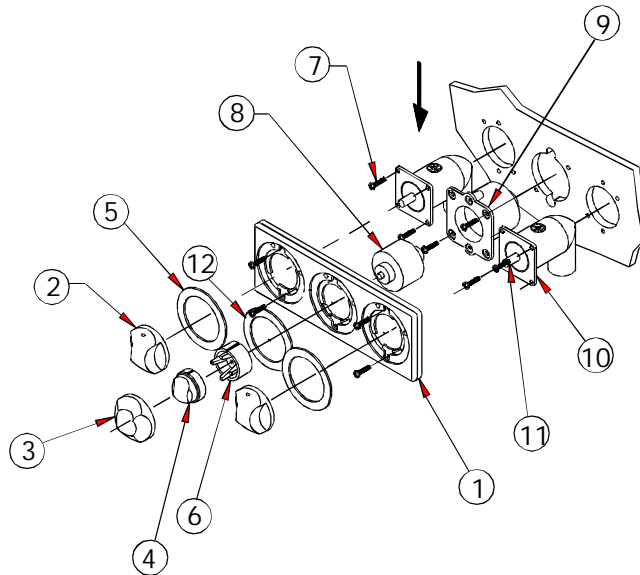
MODEL #4480000  
 MODEL #9230000  
 MODEL #E930000  
 MODEL #E936000  
 ISSUE DATE: 7/95

## 3-POSITION CONTROL PANEL

### KNOB STOP DETAIL



Break off and discard knob stop(s)



ITEM	P/N	DESCRIPTION	QTY
* 1	9224xxx	Panel, 3-Position	1
* 2	8267xxx	Knob, .25 Shaft Assembly	2
* 3	8247xxx	Bezel, Actuator	1
* 4	8246xxx	Button, Air Actuator	1
5	8263000	Ring, Graphic Air	2
6	C842000	Guide, Air Actuator	1
7	9724000	Screw, Thd Ctg, 4-24 x .5	10
8	C377000	Bellows, Air Actuator	1
9	C841000	Cup, Air Actuator	1
** 10	7510000	Air Control Assembly	2
11	8399000	Repair O-Ring/Valve Assembly	2
* 12	8262xxx	Ring, Graphic, ON-OFF	1

\* xxx=Color Select

\*\* When Item 10 is ordered, Item 11 is included. Item 11 can be ordered separately.

Guillen's Enterprises, inc  
jacuzziparts.com  
800-222-7855

PRODUCT SPECIFICATIONS ARE SUBJECT TO CHANGE WITHOUT NOTICE.  
USE INSTALLATION INSTRUCTIONS SUPPLIED WITH PRODUCT.

Jacuzzi Whirlpool Bath has obtained applicable code (standards) listings generally available on a national basis for products of this type. It is the responsibility of the installer/owner to determine specific local code compliance prior to installation of the product. Jacuzzi Whirlpool Bath makes no representation or warranty regarding, and will not be responsible for any code compliance.

---

## **JACUZZI WHIRLPOOL BATH**

Jacuzzi Whirlpool Bath National Headquarters  
P.O. Drawer J, Walnut Creek, CA 94596 (510) 938-7070  
Service Support: (800) 288-4002

©Copyright 1995 Jacuzzi Whirlpool Bath G735000 7/95

Printed in the U.S.A.