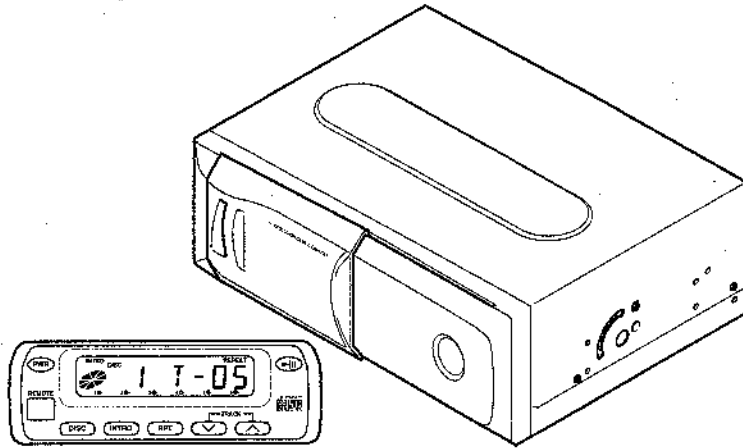


JENSEN®

Installation

How to Install the XCH 6RF 6-Disc Compact Disc Changer



Welcome!

What you're holding in your hands is no ordinary owner's manual. We've tried to make the instructions in this book clear and easy to follow.

For your Jensen CD changer to work right, it must be installed correctly. This manual will show you how to install your new CD changer like a pro. It's a good idea to read all of these instructions before you begin the installation. Most installations are straightforward and can be handled by a do-it-yourselfer with the right tools, patience, and the ability to follow instructions. But, do-it-yourself installation isn't for everyone. If you still don't feel confident after reading this book, consider turning the installation job over to someone better suited to it.

Warranty Service

If your Jensen CD changer should ever require service, you will need to have the original dated receipt. If you ever need to return the unit for any reason, always include the receipt with the product.



Technical Assistance

For technical assistance with the installation of the XCH 6RF, call 1-800-323-0221.

Contents

Installation	2
Before You Begin Installation	2
Tools and Supplies Needed	2
Disconnect Battery	2
Adapters for Easier Installation	2
Prepare CD Changer for Installation	2
Choose a Location	3
Select Horizontal or Vertical Installation	3
Install the Compact Disc Changer	4
Wiring	5
• Connections	5
• Crimp Connections	5
Wiring Diagram	6
Install Display	6
Testing	7
Reconnect Battery	7
Reset	7
Test Wiring	7
Specifications and Warranty	8

Installation

Before You Begin Installation

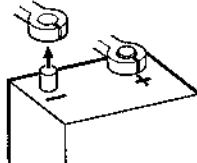
Before you begin, you will need tools, supplies and adapters. It is best to make sure you have everything you need before you begin.

Tools and Supplies Needed

- Hand tools
- Supplies for making wire connections (electrical tape, twist-type wire connectors, or crimp-on terminals; for best results, make soldered connections)
- Power tools (to drill holes to mount compact disc changer to vehicle)

Disconnect Battery

Before you begin, disconnect the battery negative terminal.



Adapters for Easier Installation

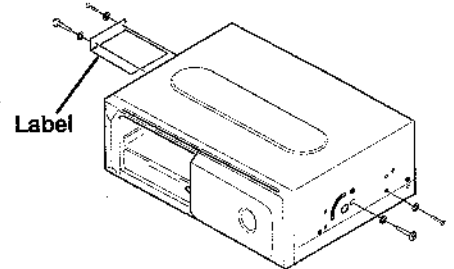
1990 and newer GM cars have a small antenna connector. You will need two adapters when installing this CD changer in a newer GM car.

Prepare CD Changer for Installation

Remove Shipping Screws

The XCH 6RF compact disc changer is shipped with the shock-absorbing mechanism secured.

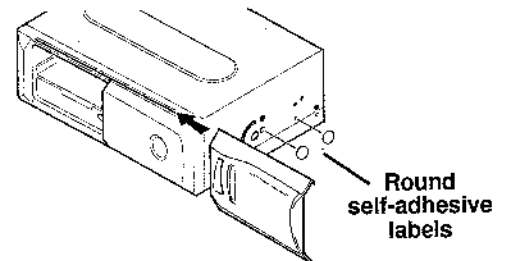
Remove the shipping label and 4 shipping screws from the sides of the compact disc changer before installation. Keep the screws, as they will be required if you transport the player again.



Cover the screw holes with round self-adhesive labels.

Install Door

Install the door by sliding on from the right.



Choose a Location

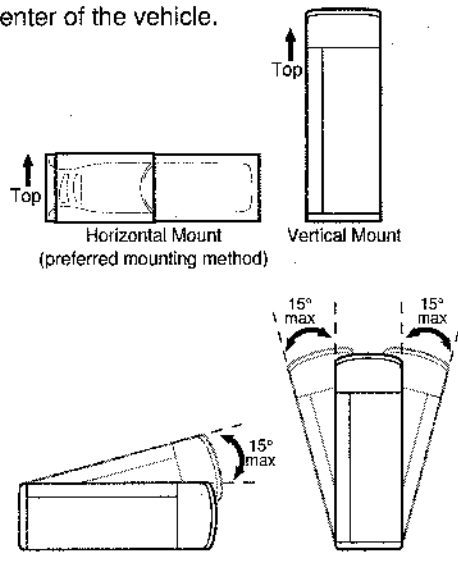
Important:

Incorrect installation can cause the CD changer to "skip." Mount the unit firmly in place using supplied brackets and screws.

Select a location for the CD changer that:

- Provides sufficient ventilation
- Does not have high temperatures (such as the back window or near the heater outlet)
- Is not exposed to direct sunlight
- Allows the unit to be located within 15 degrees of horizontal or vertical.

Some possible locations are under the dashboard, under a seat, on the trunk floor or hanging under the package shelf in the trunk. The unit will work best when it is closest to the center of the vehicle.

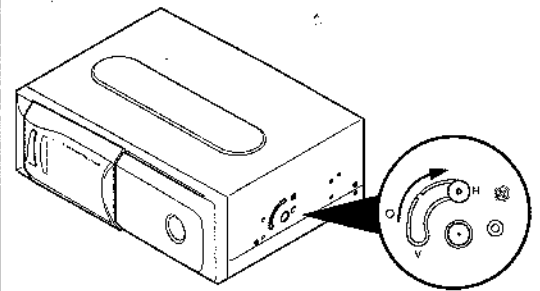


Select Horizontal or Vertical Installation

Adjust the compact disc changer's internal shock-absorbing mechanism for horizontal or vertical mounting. Selection screws are located on both sides of the compact disc changer. Incorrect selection may cause skipping, especially when driving over bumps.

Choose Horizontal or Vertical Mounting

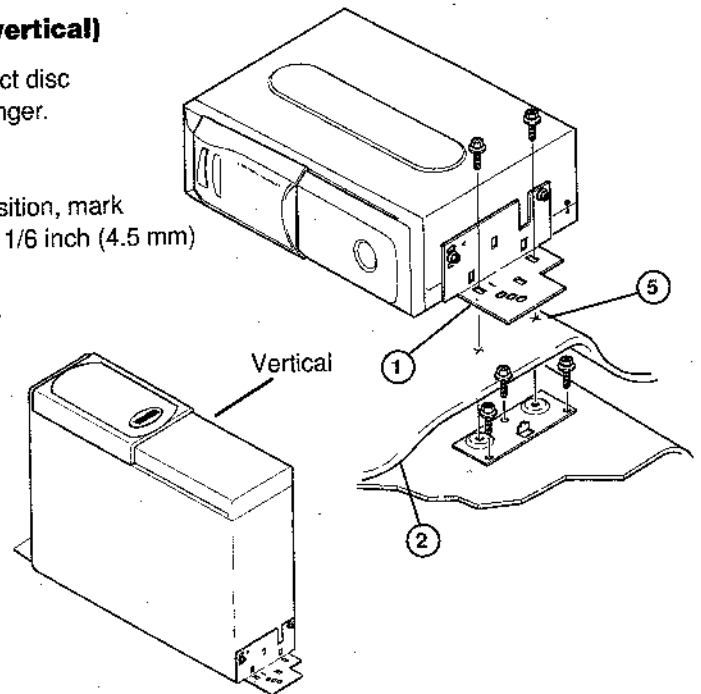
Loosen lock screw. Slide to align with Horizontal (H) or Vertical (V) and tighten lock screw. Repeat for both sides



Install the Compact Disc Changer

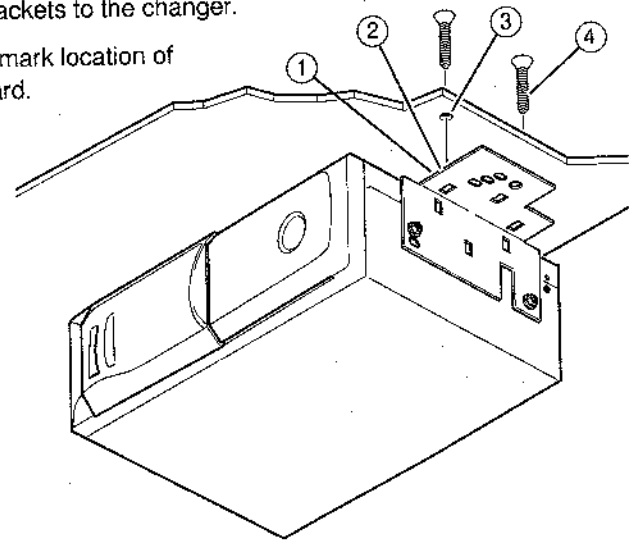
Floor Mounting (horizontal or vertical)

1. Temporarily assemble the compact disc changer brackets to the disc changer.
2. Pull back carpet.
3. With compact disc changer in position, mark location of brackets on floor. Drill 1/6 inch (4.5 mm) holes through the floor panel.
4. Unbolt the compact disc changer from floor brackets.
5. Mark carpet and cut an "X" for each hole you drilled.
6. Lay down carpet and screw compact disc changer brackets to the holes in the floor. Install the changer to the brackets.



Hanging Mounting (under package shelf or under dashboard)

1. Assemble the compact disc changer brackets to the changer.
2. With compact disc changer in position, mark location of brackets on the parcel shelf or dashboard.
3. Drill four 1/6 inch (4.5 mm) mounting holes.
4. Attach compact disc changer using four #5X16 tapping screws.



Wiring

Important

If wiring connections are made wrong, the unit will not operate properly and it could be damaged. Follow the installation instructions carefully, or have the installation handled by an experienced technician.

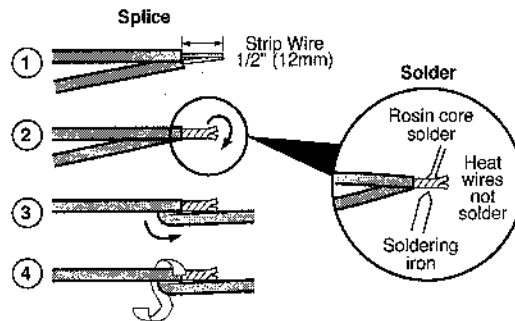
Professional Tip

Connections

Good wire connections are very important for best sound and long-term reliability. Here are two methods:

Splice

1. Strip 1/2 inch (12 mm) of insulation from both wires.
2. Wrap wires together
3. Fold wires over



4. Stretch electrical tape tightly over splice.

Solder

Solder is the best way to connect wires, but it takes skill and practice. Splice the wires (as shown above). Before taping, heat the wires (not the solder). When the wires are warm enough, touch the solder to the splice. The solder will flow over the wires. Stretch electrical tape tightly over splice.

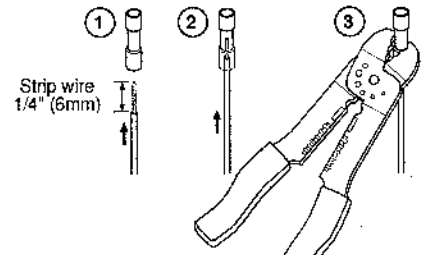
Professional Tip

Crimp Connections

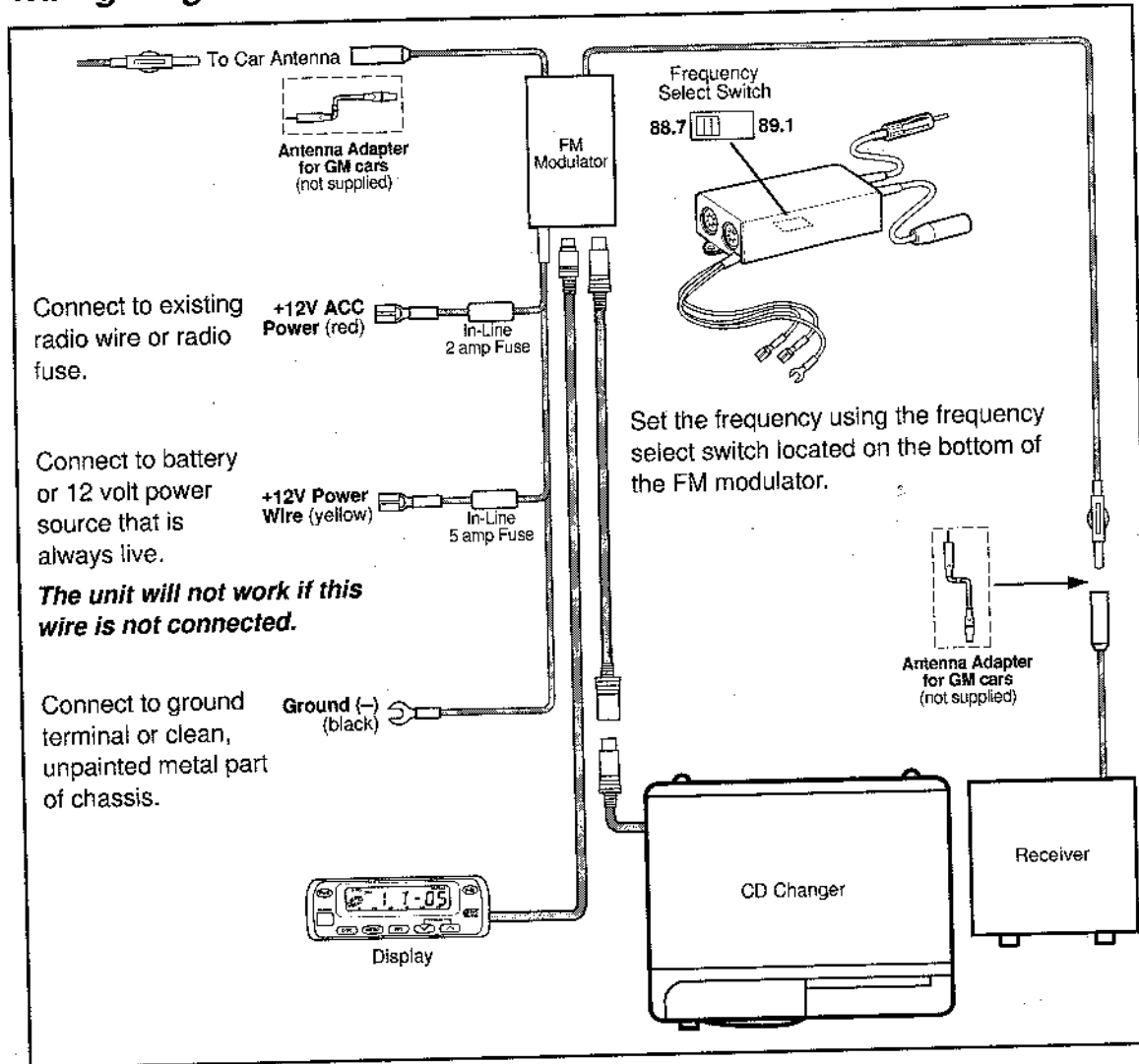
Purchase crimp connectors and crimping tool. Connectors are color coded. This Jensen radio uses BLUE connectors (12-14 gage wire).

1. Strip 1/4 inch (6mm) of insulation from both wires.
2. Insert into connector.
3. Crimp tightly.

You can make permanent splices (using butt connectors) or select connectors that can be removed and reinstalled.

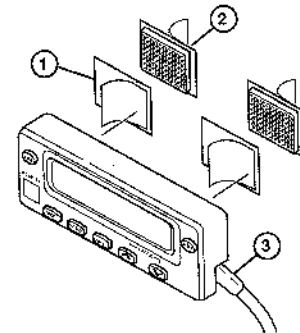


Wiring Diagram



Install Display

1. With the halves of hook and loop fastener together, remove the adhesive backing from one side. Attach to the back of the display.
2. Find a good location for the display. Remove adhesive backing and press into position.
3. Adjust display wire to exit the side or bottom of the display.

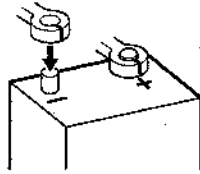


Testing

Before you finish the installation, you should do the following tests to make sure the wiring is correct and everything is operating properly.

Reconnect Battery

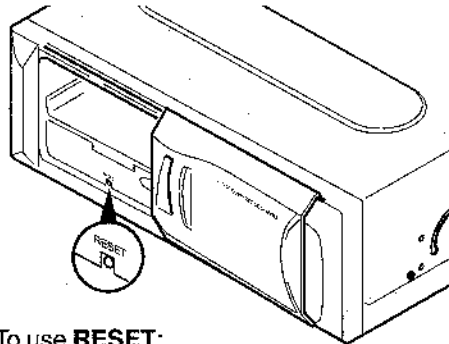
When wiring is complete, reconnect the battery negative terminal.



Reset

Press **RESET** only when one of these conditions occur:

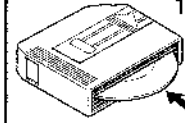
- The compact disc changer is first installed
- There is an error in operation (E01, E02, E03 or E06 may appear on the display).
- Vehicle power is interrupted (as when replacing the battery).



To use **RESET**:

1. Open the compact disc changer door, then use a pencil tip (or other non-metallic object) to press the **RESET** button. The compact disc changer ejects the magazine. Any disc being played is not returned to the magazine.
2. Remove all compact discs from the magazine.
3. Reinstall the empty magazine. The compact disc changer returns the compact disc to the magazine and ejects the magazine again.
4. Press **RESET** again.

Test Wiring

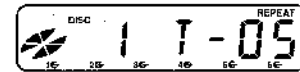


1. Load at least two CDs into the magazine and insert into changer.



2. Turn ignition switch on. You should hear the changer operate, checking all six slots. If the changer does not operate, check for proper connection of red, yellow and black wires.

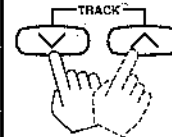
3. The display should light. If not, check the cable between the modulator and display.



4. Turn on the radio and tune to FM station selected on the modulator (88.7 or 89.1 FM). You should hear the CD playing. If not, check the antenna connections on the modulator.



If a radio station interferes with the CD sound, change the selected frequency on the modulator. Change the station on the radio and test again.



5. Press **DISC** and **TRACK** buttons to ensure that the CD changer responds normally. If not, check cable connections on the modulator and the CD changer.

Specifications

Frequency response (+/- 2dB)	20 Hz - 20 kHz
Signal/noise ratio	≥90 dB at 1kHz
Stereo separation @ 1 kHz	≥70 dB
Total harmonic distortion @ 1 kHz	≤0.1%

General

Power supply	10-16 VDC, negative ground
Dimensions	11.4" X 3.5" X 7.7" (284mm X 74mm X 186.5mm)
Weight	5.5 lbs. (2.5 kg)
FM modulator frequency	88.7 MHz/89.1 MHz

Specifications subject to change without notice.

Limited One Year Warranty—USA and Canada

Length of Warranty. This warranty from Recoton Mobile Electronics shall be in effect for a period of one year from the date of the first consumer purchase.

Persons Protected. This warranty will be enforceable by the original owner and any subsequent owners during the warranty period so long as proof of date of purchase from an authorized Jensen dealer is presented whenever warranty service is required.

What is Covered. Except as otherwise specified below, this warranty covers all defects in material and workmanship in this product. The following are not covered: damage resulting from accident, misuse, abuse, neglect, product modification, improper installation, incorrect line voltage, unauthorized repair or failure to follow instructions supplied with the product; damage occurring during shipment (claims must be presented to the carrier); elimination of car static or other electrical interferences; any product purchased outside USA or Canada, or on which the serial number has been defaced, modified or removed.

How You Can Get Service.

U.S. Purchasers. Please telephone Jensen at 1-800-323-4815. We will either inform you of the name and address of an authorized Jensen repair station which will service the product or will advise you to send the product to a factory service center.

Canadian Purchasers. The product should be returned to the Jensen dealer from whom it was purchased and such dealer either will service or arrange for service of the product.

If shipment of the product is required, it should be packed securely. The original dated bill of sale must always be included with the product as proof of warranty coverage.

What We Will Pay For. We will pay for all labor and material expenses required to repair the product, but you must pay any labor costs for the removal and/or installation of the product. If the product is shipped for warranty service, you must prepay the initial shipping charges, but Jensen will pay the return shipping charges if the product is returned to an address inside the USA or Canada.

Limitation of Implied or Statutory Warranties and Conditions. All implied or statutory warranties and conditions, including warranties or conditions of merchantability, fitness for particular purposes and non-infringement, are limited in duration to the length of this warranty.

Exclusion of Certain Damages. Jensen's liability is limited to the repair or replacement, at our option, of any defective product and shall not include incidental or consequential economic damages of any kind.

Some states and/or provinces do not allow limitations on how long an implied warranty lasts and/or do not allow the exclusion or limitation of incidental or consequential damages, so the above limitations and exclusions may not apply to you.

This warranty gives you specific legal rights, and you may also have other rights which vary from state to state and province to province.

JENSEN

Recoton Mobile Electronics
A Division of Recoton Audio Corporation
A RECOTON® COMPANY
1090 Emma Oaks Trail
Lake Mary, Florida 32746

©1998 Recoton Audio Corporation