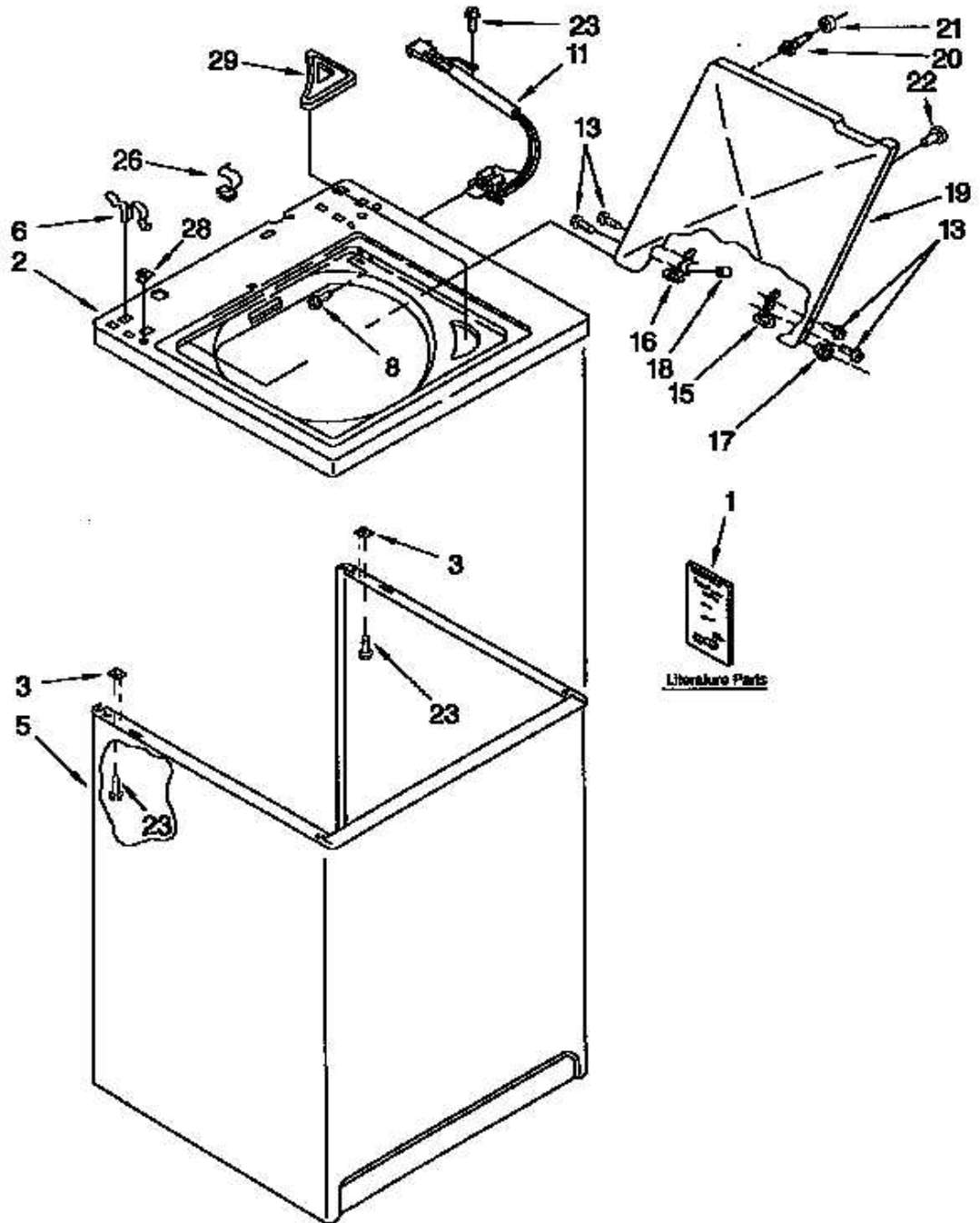


**KENMORE HEAVY DUTY SERIES 70 AUTOMATIC
WASHER, MODEL # 110.92273100**
<http://www3.sears.com/> OR CALL 1-800-252-1698

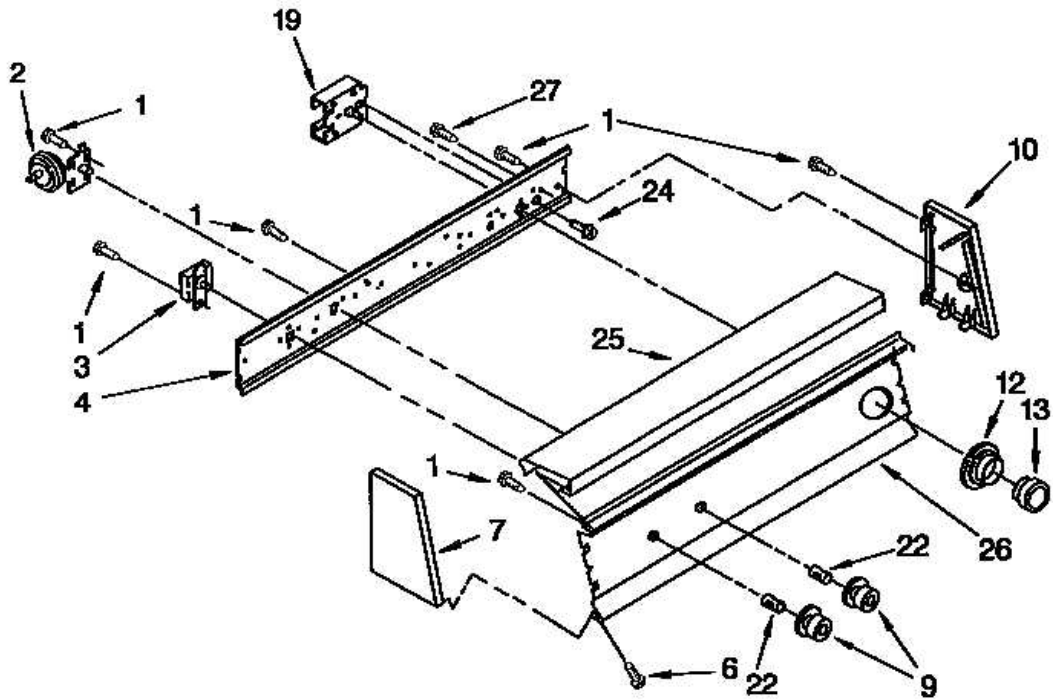


Model WASHER - 11092273100 (TOP AND CABINET)

Part Description	Part Number	Diagram Reference Number
GUIDE, LAUNDRY	LIT3349103	1
TECH. SHEET	LIT3351298	1C
ENERGY GUIDE	LIT3356076	1E
LIST, REPAIR PARTS	LIT3356285	1F
LABEL, WIRING DIAGRAM	LIT3356463	1D
INSTRUCTIONS, OPERATING	LIT3356507	1B
INSTRUCTIONS, INSTALLATION	LIT3361036	1A
TOP, WHITE	388918	2
TOP, ALMOND	388919	2B
TOP, GOLDEN WHEAT	388922	2A
SPACER, CABINET TO TOP	62750	3
CABINET, WHITE	63424	5
CABINET, ALMOND	63425	5B
CABINET, GOLDEN WHEAT	63428	5A
CLIP, TOP AND CABINET & REAR PANEL	62780	6
SCREW AND WASHER, LID SWITCH	3356311	8
SWITCH, LID	3352630	11
SCREW, LID HINGE MOUNTING	3351355	13

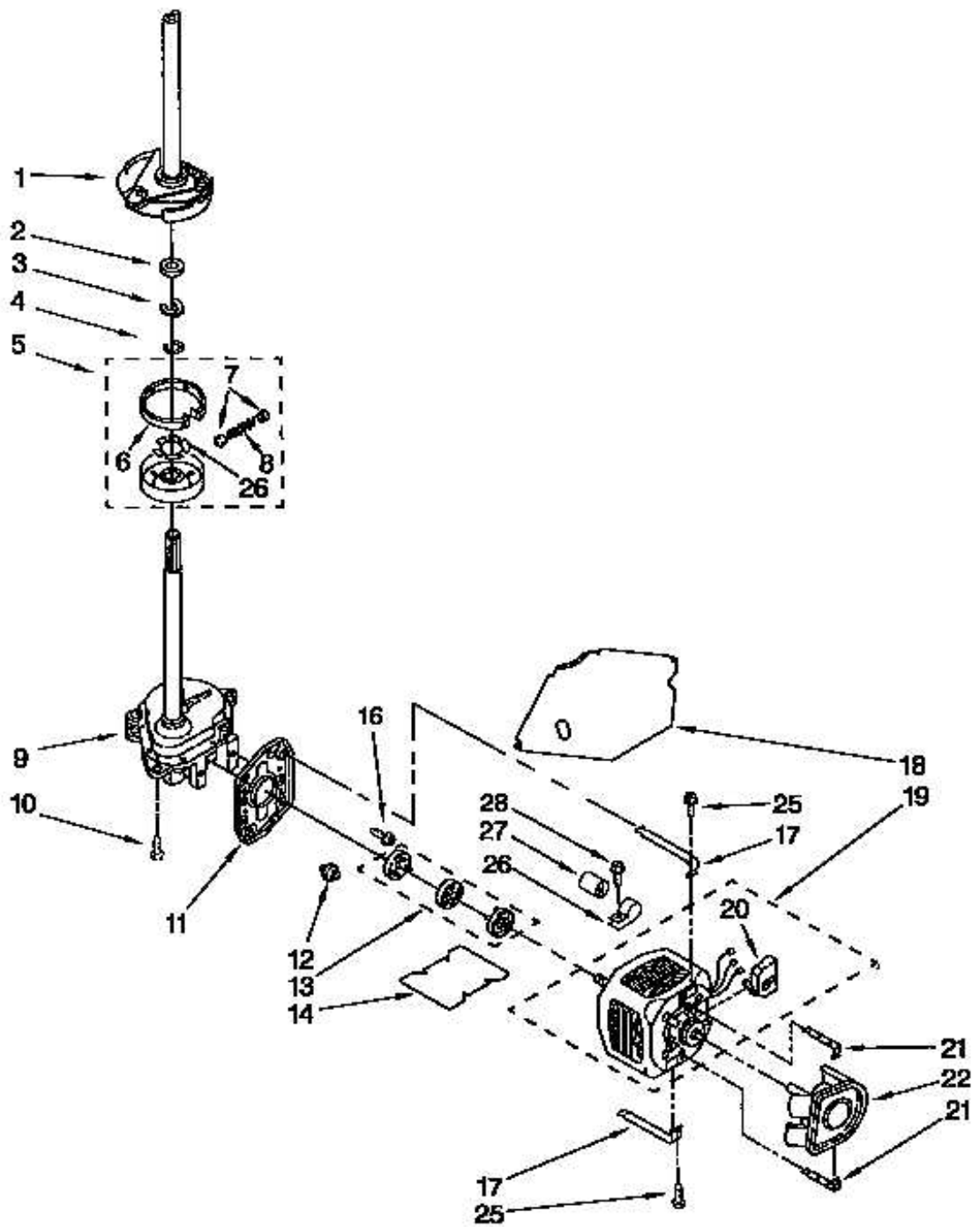
HINGE, LID, FRONT	54584	15
HINGE, LID, REAR	54583	16
BEARING, LID HINGE	21258	17
BUMPER, LID HINGE	19119	18
LID, WHITE	3353444	19
LID, ALMOND	3353445	19B
LID, GOLDEN WHEAT	3353446	19A
STRIKE, LID	357141	20
BUMPER, LID	354255	21
BUMPER, LID	354241	22
SCREW, 10-16 X 1/2	384435	23
CLIP	90016	26
NUT, PUSH-IN	357213	28
DISPENSER, BLEACH, WHITE	63401	29
DISPENSER, BLEACH, ALMOND	63402	29B
DISPENSER, BLEACH, GOLDEN WHEAT	63405	29A
PAINT, PRESSURIZED SPRAY, 13 OZ., GOLDEN WHEAT	261890	None
PAINT, BULK, 1 QT., GOLDEN WHEAT, UNCUT	261891	None
SEALER, GASKET, .20 FL. OZ., 6 ML.	285195	None
LUBRICANT (USE ONLY IN BRAKE SHOE ASSEMBLY ON ROLLER AND PIN)	285208	None
SHIPPING KIT	3348675	None
OIL, GEARCASE, 16 OZ.	350572	None

PAINTE, PRESSURIZED SPRAY, 13 OZ., PRIMER, GRAY	350938	None
PAINTE, PRESSURIZED SPRAY, 13 OZ., LEVELER, THINNER	350941	None
PAINTE, PRESSURIZED SPRAY, 13 OZ., ALMOND	350956	None
COUPLING, HOSE	384496	None
PAINTE, TOUCH-UP, 1/2 OZ., WHITE	72017	None
PAINTE, TOUCH-UP, 1/2 OZ., ALMOND	72107	None
PAINTE, TOUCH-UP, 1/2 OZ., GOLDEN WHEAT	72110	None
PAINTE, BULK, 1 QT., WHITE, UNCUT	799344	None
PAINTE, BULK, 1 QT., ALMOND, UNCUT	978883	None



Model WASHER - 11092273100 (CONTROL PANEL)

Part Description	Part Number	Diagram Reference Number
SCREW, 8A X 3/8	90767	1
SWITCH, WATER LEVEL	3356467	2
SWITCH, WATER TEMPERATURE, ALT.	3348354	3B
SWITCH, WATER TEMPERATURE, ALT.	3349590	3A
SWITCH, WATER TEMPERATURE	661536	3
BRACKET, CONTROL	3360936	4
SCREW, 8-18, CONSOLE TO TAP	388326	6
CAP, END, L.H.	388203	7
KNOB, TEMPERATURE SWITCH CONTROL	388026	9
CAP, END, R.H.	388209	10
DIAL AND GUARD, TIMER	387996	12
KNOB, TIMER	3353309	13
TIMER, 60 HZ. (MOTOR NOT A SERVICE PART)	661573	19
CLIP, KNOB	688805	22
SCREW, TIMER MOUNTING	96435	24
PANEL, CONSOLE, UPPER	3349268	25
PANEL, CONSOLE, LOWER	3352087	26
SCREW, 10-24 X 3/8	90864	27



Model WASHER - 11092273100 (BRAKE, CLUTCH, GEARCASE, MOTOR AND PUMP)

Part Description

Part
Number

Diagram
Reference
Number

BRAKE AND DRIVE TUBE,
COMPLETE (REFER TO PAGE 13)

FOR FURTHER BREAKDOWN)	388952	1
WASHER, SPIN TUBE THRUST	63292	2
RING, SPIN TUBE SUPPORT	62697	3
RING, RETAINER	63283	4
CLUTCH, COMPLETE	3350115	5
BAND AND LINING, CLUTCH (INCL. 7, 8)	388190	6
CAP, CLUTCH SPRING	62646	7
SPRING, CLUTCH	3354731	8
GEARCASE, COMPLETE (REFER TO PAGE 14 FOR FURTHER BREAKDOWN)	3360630	9
SCREW, GEARCASE TO BASE	3357334	10
PLATE, MOTOR MOUNT TO GEARCASE	62611	11
GROMMET, MOTOR	62691	12
COUPLING, MOTOR AND ISOLATION	62693	13
SHIELD, MOTOR	3351341	14
SCREW	3357334	16
RETAINER, MOTOR	3349637	17
SHIELD, TUB TO MOTOR	3362089	18
MOTOR, MAIN DRIVE	3349644	19
SWITCH, MAIN DRIVE MOTOR	62850	20
RETAINER, PUMP	62700	21
PUMP, COMPLETE	3352492	22
SCREW, 10-16 X 5/8	3387485	23
CLIP, ANTI-RATTLE	3355454	25

CLAMP, CAPACITOR

357030

26

CAPACITOR, MOTOR START

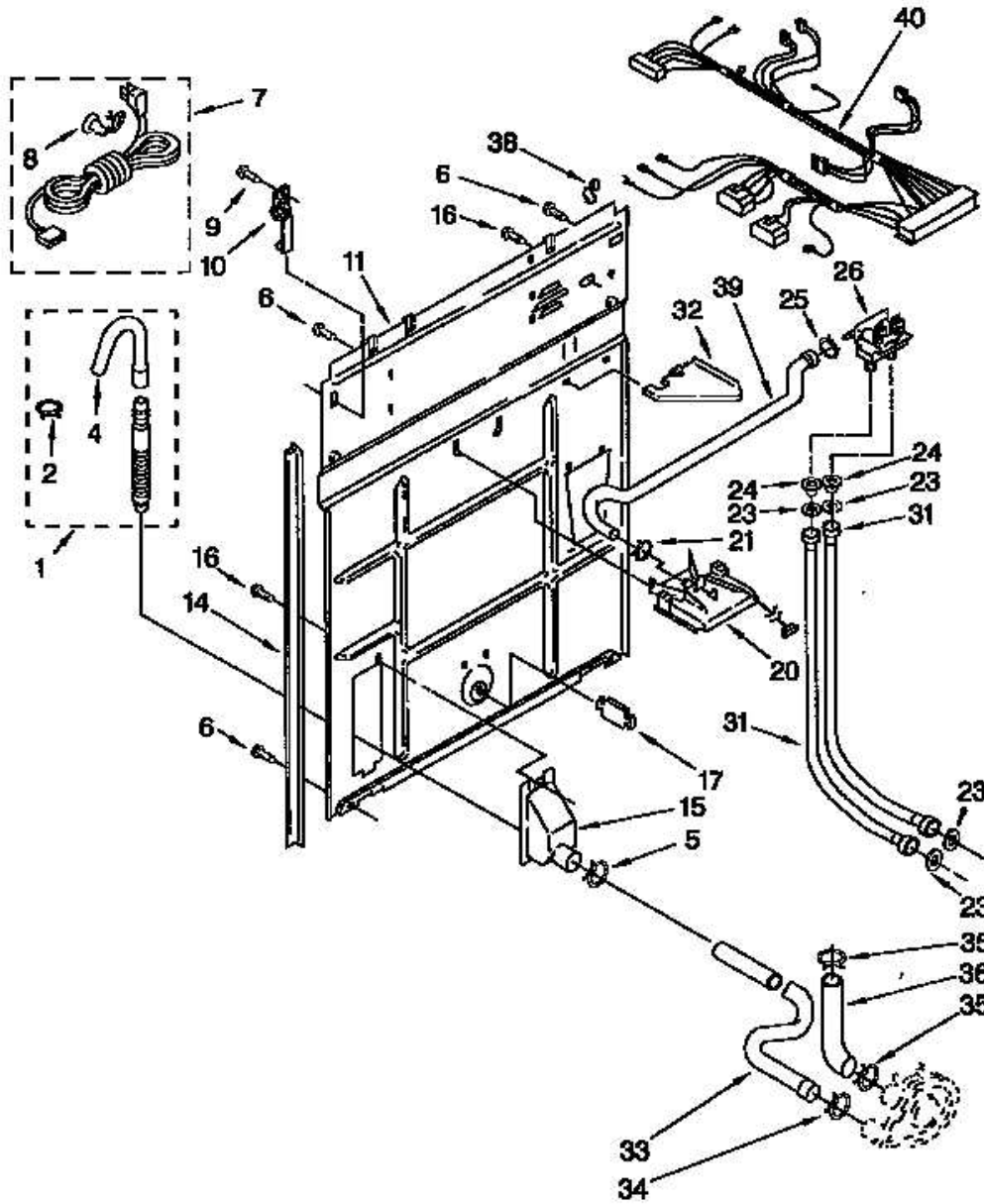
357021

27

SCREW, 10-16 X 3/8

62863

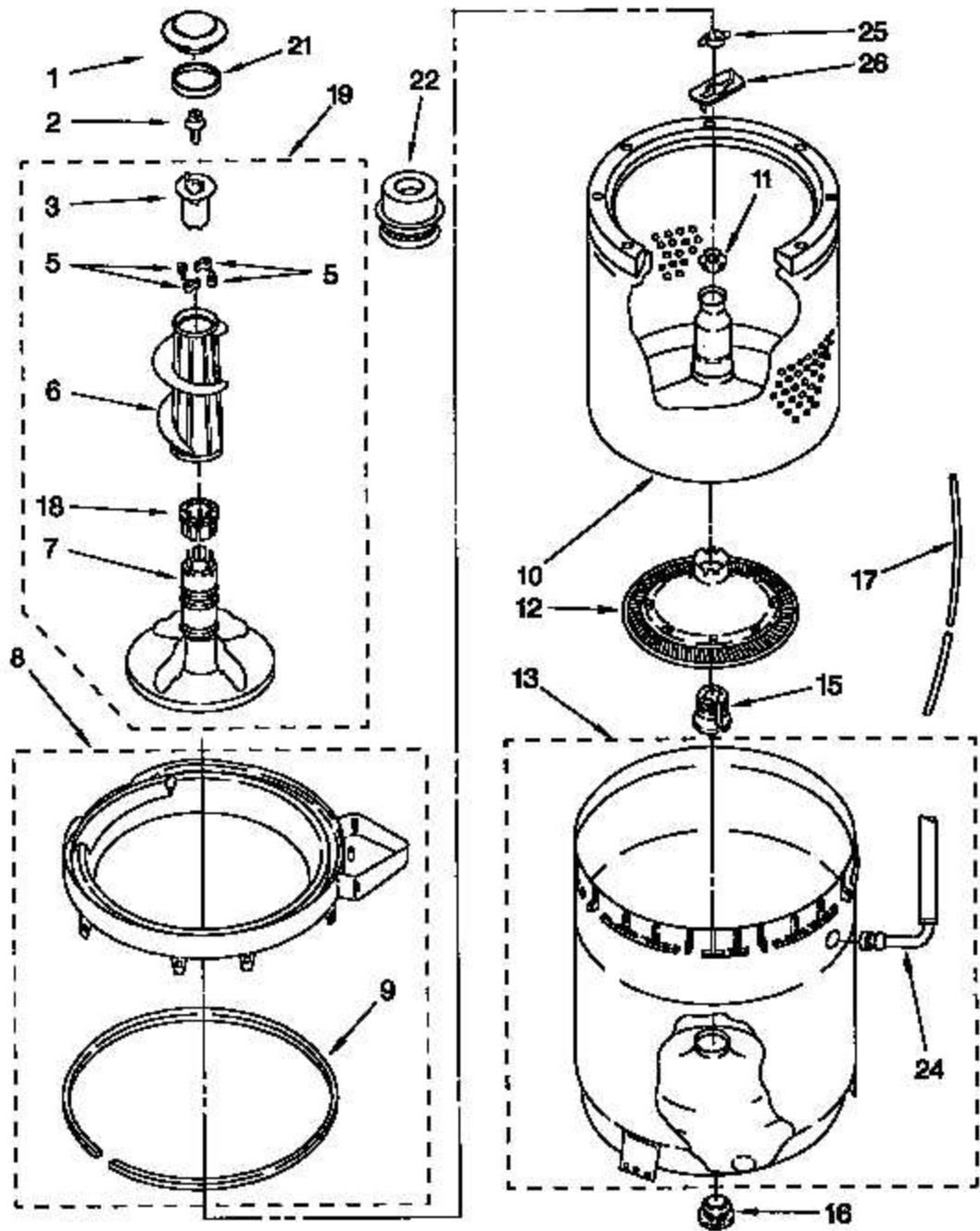
28



Model WASHER - 11092273100 (REAR PANEL)

Part Description	Part Number	Diagram Reference Number
HOSE, DRAIN	661575	1
CLAMP, DRAIN HOSE	3357331	2
NOZZLE, DRAIN HOSE	3357027	4
CLAMP, HOSE	356138	5
SCREW, 10-16 X 3/8	62863	6
CORD, POWER	3350514	7
RELIEF, STRAIN, POWER CORD	63848	8
SCREW, HINGE TO PANEL, 10-16 X 1/2	3357011	9
HINGE, CONSOLE	387402	10
POWER CORD	3360514	11
PAD, REAR PANEL	62747	14
CONNECTOR, DRAIN	3355497	15
SCREW, 10-16 X 1/2	3357011	16
SUPPORT, REAR PANEL	63290	17
VACUUM BREAK	387606	20
CLAMP, HOSE	371503	21
WASHER, INLET HOSE	16123	23
SCREEN, FILTER	96160	24
VALVE, WATER MIXING	358992	26
HOSE, WATER INLET	3354858	31
SHIELD, SUDS	3348424	32
HOSE, PUMP TO DRAIN CONNECTOR	3359818	33

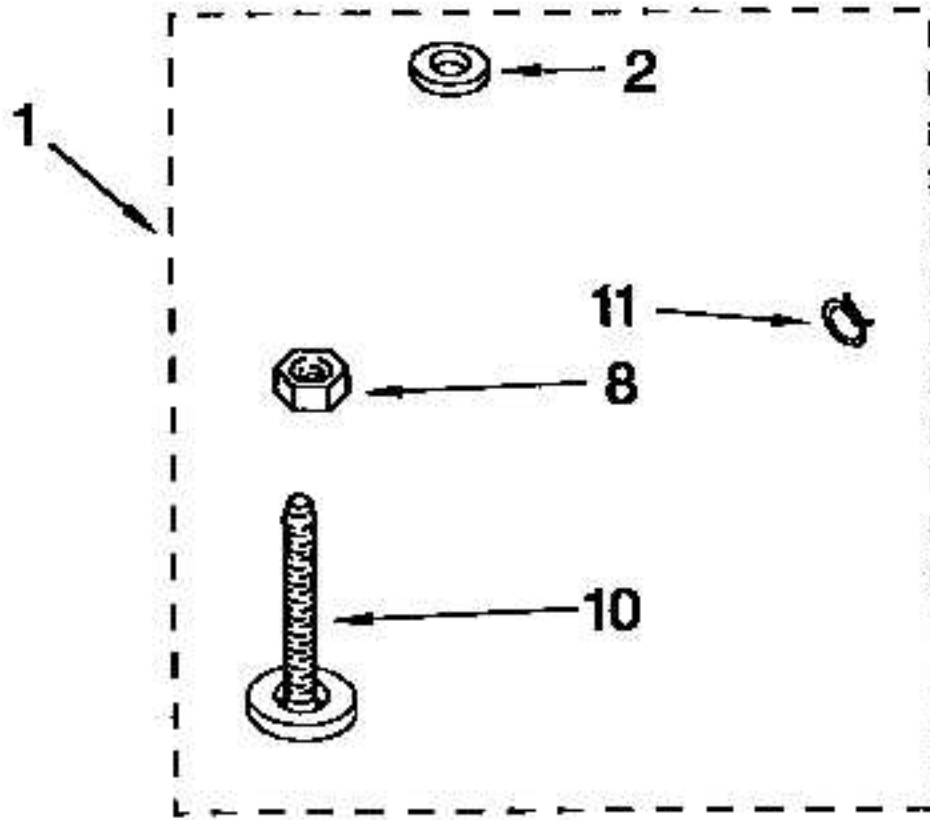
CLAMP, HOSE, ALT.	272858	34A
CLAMP, HOSE, ALT.	353097	34C
CLAMP, HOSE, ALT.	370447	34B
CLAMP, HOSE	660628	34
CLAMP, HOSE	371502	35
HOSE, PUMP TO TUB	62731	36
CLIP, WIRING HARNESS	3347812	38
HOSE, VACUUM BREAK	3357328	39
HARNESS, WIRING (FOR DETAIL SEE PAGE 11.) (ALSO SEE CLIPS.)	3357306	40



Model WASHER - 11092273100 (AGITATOR, BASKET AND TUB)

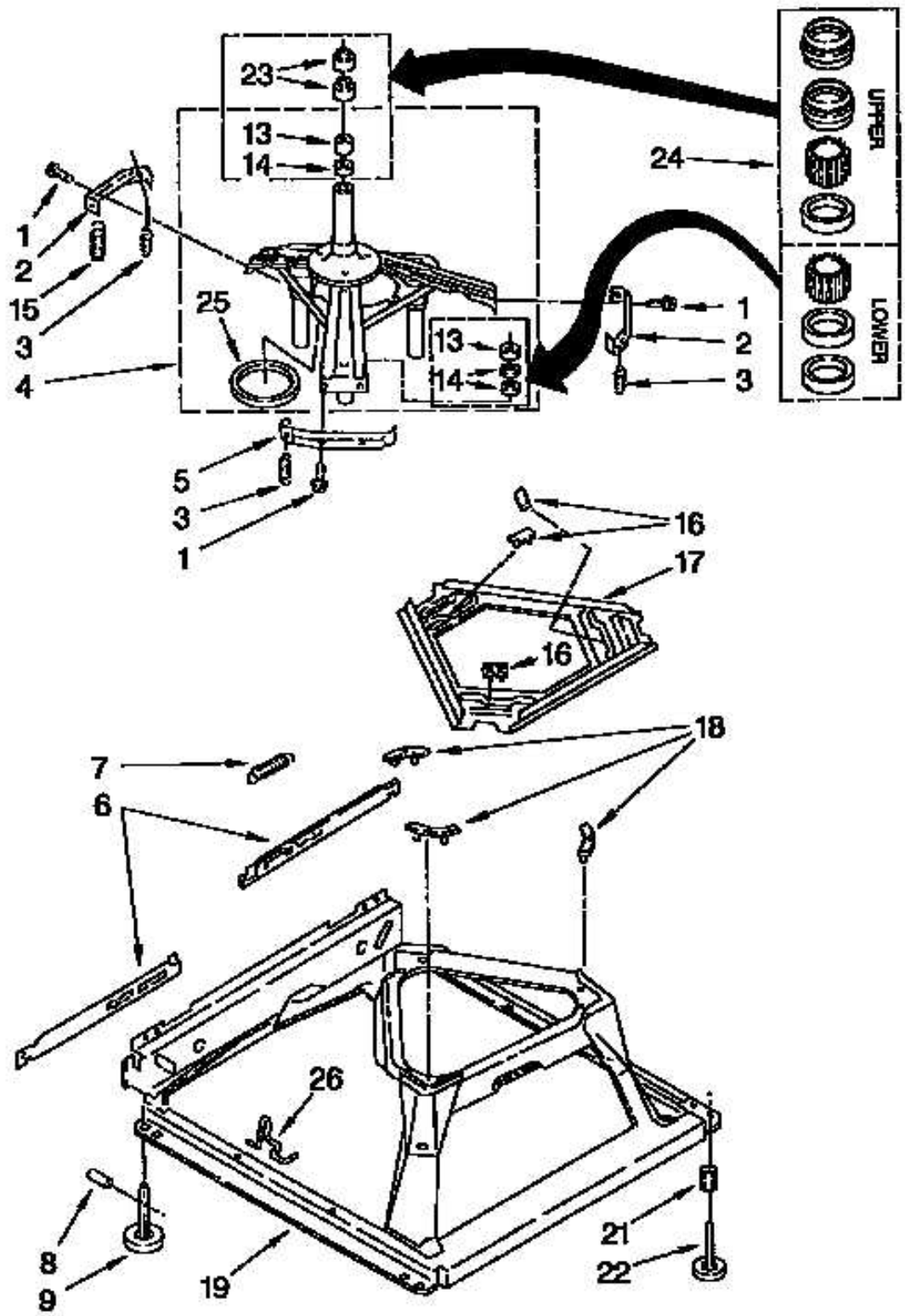
Part Description	Part Number	Diagram Reference Number
CAP, AGITATOR	63973	1
SCREW AND WASHER, 5-16-24 X 1	358237	2
CAM, DRIVEN	3351000	3

DOG, AGITATOR CLUTCH	387091	5
AUGER, AGITATOR	389141	6
AGITATOR, AUGER	389386	7
TUB RING AND GASKET	63851	8
GASKET, TUB RING	3359585	9
BASKET AND BALANCE RING ASSEMBLY	64217	10
NUT, SPANNER	21366	11
FILTER, PLATE	3361948	12
TUB	388893	13
BLOCK, BASKET DRIVE	389140	15
GASKET, CENTERPOST	383727	16
HOSE, PRESSURE SWITCH	3347780	17
SPACER, THRUST	3350389	18
AGITATOR ASSEMBLY, COMPLETE	3347674	19
SEAL, AGITATOR CAP	358912	21
DISPENSER, RINSE	63594	22
HOSE, BLEACH	3358198	24
CLIP, AGITATOR	3354845	25
WASHER, AGITATOR	3355921	26



Model WASHER - 11092273100 (MISCELLANEOUS)

Part Description	Part Number	Diagram Reference Number
MISCELLANEOUS PARTS BAG	3359460	1
WASHER, INLET HOSE, 1-1/16 X 5/8	16123	2
NUT	3359452	8
FOOT	389102	10
CLAMP, HOSE	356138	11



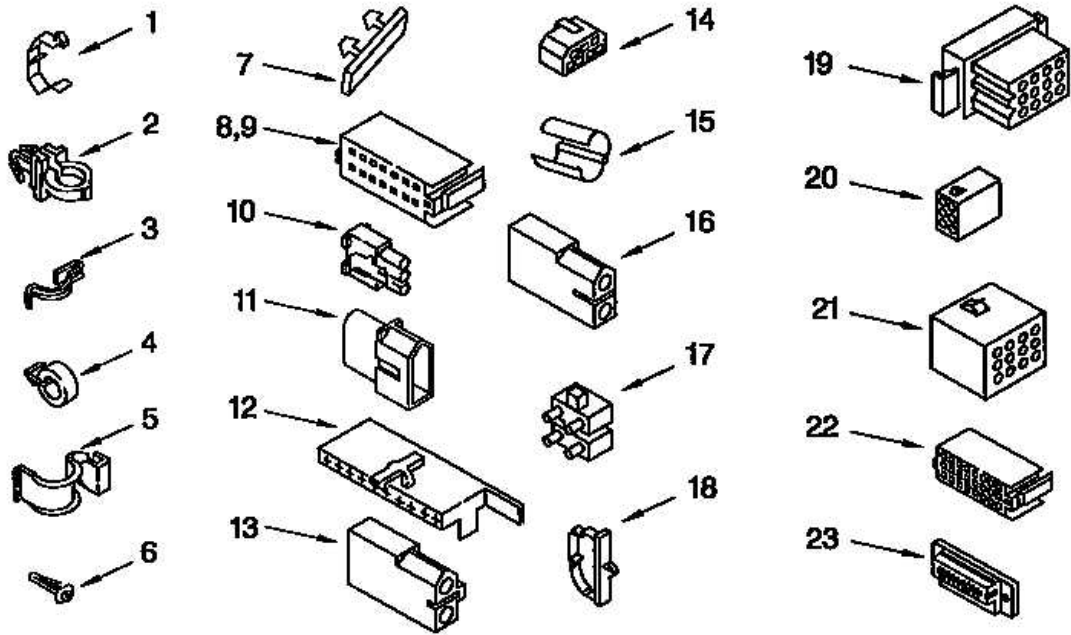
Model WASHER - 11092273100 (MACHINE BASE)

Part Description

Part

Diagram

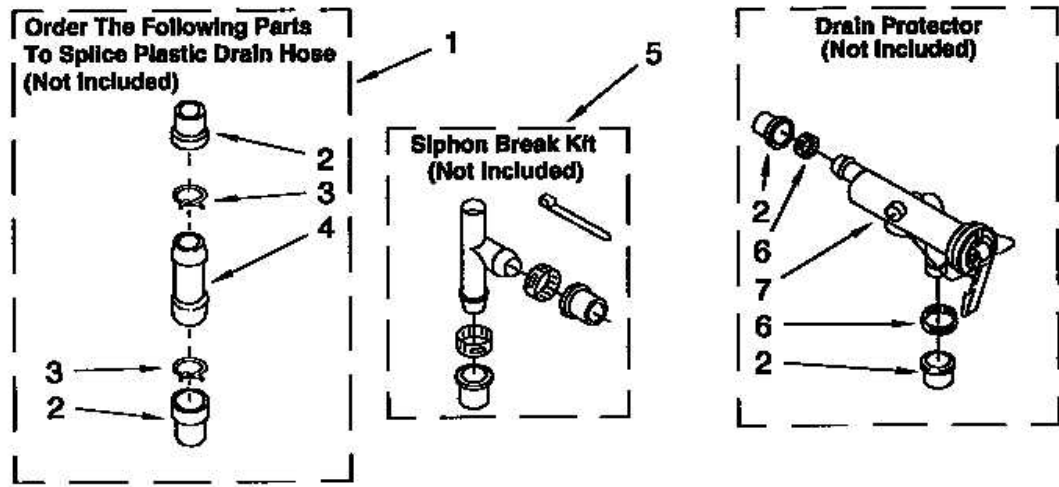
	Number	Reference Number
SCREW, BRACKET MOUNTING, 10-16 X 1/2	343641	1
BRACKET, SPRING OUTER	64067	2
SPRING, SUSPENSION	63907	3
SUPPORT AND BRAKE, TUB	3362087	4
BRACKET, SPRING OUTER, LEFT FRONT	64065	5
LINK, LEVELING MECHANISM	3348727	6
SPRING, LEVELING MECHANISM	62597	7
PIN, KNURLED	62837	8
FOOT, REAR	62596	9
BEARING, CENTERPOST	3347047	13
SEAL, CENTERPOST	357409	14
SPRING, COUNTERWEIGHT	388492	15
PAD, PLATE	62568	16
PLATE, SUSPENSION	389299	17
PAD, BASE	62602	18
BASE ASSEMBLY (INCL. 3, 6 THRU 9, 18, 26)	3359886	19
NUT, JAM	3359452	21
FOOT, FRONT	389102	22
SEAL, CENTERPOST	356934	23
CENTERPOST BEARING KIT (INCL. 13, 14, 23)	285203	24
RING, SOUND DEADENING	63134	25
RETAINER, SUSPENSION SPRING	63806	26



Model WASHER - 11092273100 (WIRING HARNESS)

Part Description	Part Number	Diagram Reference Number
CLIP, HARNESS	3349557	1
CLIP, HARNESS	388498	2
CLIP, HARNESS	3347812	3
CLIP, HARNESS	3352501	4
CLIP, HARNESS	90016	5
CLIP, HARNESS	3390496	6
RETAINER, SUDS MODELS	389379	7
TIMER, BLOCK DISCONNECT, WHITE	352090	8
TIMER, BLOCK DISCONNECT, BLOCK	352089	9

RECEPTACLE, TERMINAL , 3-WAY, LID SWITCH (USE TERMINAL 94613 OR 94614)	62889	10
PLUG, TERMINAL, 3-WAY, POWER CORD (USE TERMINAL 94613)	353424	11
BLOCK, DISCONNECT, MOTOR 2 SPEED (USE TERMINAL 352088)	62505	12
BLOCK, DISCONNECT, MOTOR 3 SPEED (USE TERMINAL 94613 OR 94614)	3348075	13
BLOCK, DISCONNECT (USE TERMINAL 352088)	3347243	14
PROTECTOR	63523	15
CONNECTOR, 2-WAY, SUDS VALVE (USE TERMINAL 94614)	717252	16
PLUG, TERMINAL, 4-WAY, POWER CORD (USE M3 SCREWS)	387566	17
CLIP, HARNESS	3352944	18
BLOCK, DISCONNECT, 12-WAY, TIMER (USE TERMINAL 94613)	3390423	19
RECEPTACLE, 6-WAY (USE TERMINAL 94613)	3347730	20
PLUG, TERMINAL, 12-WAY (USE TERMINAL 94613 OR 94614)	388818	21
TIMER, BLOCK DISCONNECT, BLACK, AMP (USE TERMINAL 3369365)	3369366	22
CONNECTOR, ETC (USE TERMINAL 340795)	3349494	23



Model WASHER - 11092273100 (WATER SYSTEM)

Part Description	Part Number	Diagram Reference Number
CONNECTOR KIT, PLASTIC DRAIN HOSE	285442	1
SLEEVE KIT (CONTAINS 2 SLEEVES)	285321	2
CLAMP, HOSE	370447	3
CONNECTOR, STRAIGHT	16272	4
SIPHON BREAK KIT (NOT INCLUDED)	285320	5
CLAMP, HOSE 65349	6	
DRAIN PROTECTOR (NOT INCLUDED)	367031	7