

User Guide • Guide d'utilisation

Guía del usuario • Guia do Usuário



Kodak ESP Office 2100 Series

All-in-One Printers • Imprimantes tout-en-un

Impresoras multifunción • Impressoras Multifuncionais

KODAK ESP Office 2100 Series All-in-One Printers

Your KODAK All-in-One Printer combines ease-of-use and affordable inks to provide high-quality pictures and documents.

Resources

Support is available! Go to www.kodak.com/go/aiosupport for:

- Answers to questions
- Software or firmware upgrades
- Extended User Guide
- And more!

If you prefer, you can chat online, send us an e-mail, or call for technical support. Go to www.kodak.com/go/contact.

Contents

1 Printer Overview	1
Components	1
Control panel	4
Home Center Software	6
Paper	6
Paper types	7
Paper sizes	7
Loading paper	8
2 Basic Functions	11
Loading originals	11
Using the scanner glass	11
Using the Automatic Document Feeder (ADF)	12
Printing	14
Printing documents	14
Printing pictures	14
Copying	15
Scanning	16
Faxing	17
Sending faxes	17
Receiving faxes	17
Ordering supplies	18

3	Troubleshooting	19
	Basic troubleshooting.....	19
	Getting help on the Web	23
4	Safety and Warranty Information	24
	Safety Information.....	24
	LCD Screen Safety	25
	Ink Cartridge Safety.....	25
	Warranty Information	26
	Declaration of Conformity.....	28

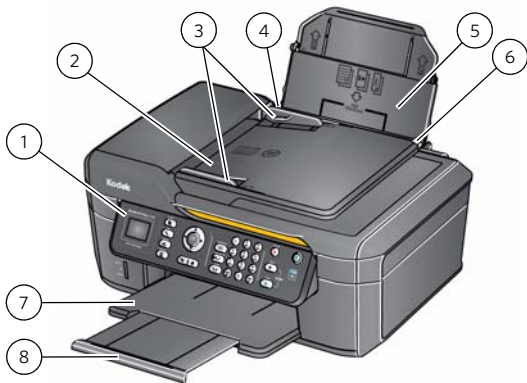


1

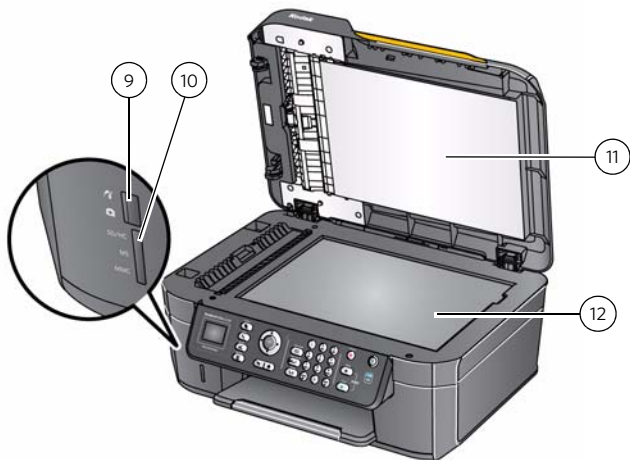
Printer Overview

This printer lets you print, copy, scan, and fax pictures and documents.

Components



- | | |
|-----------------------------------|--------------------------|
| 1 Control panel | 5 Paper input tray |
| 2 Automatic document feeder (ADF) | 6 Right paper-edge guide |
| 3 ADF paper-edge guides | 7 Output tray |
| 4 Left paper-edge guide | 8 Output tray extender |

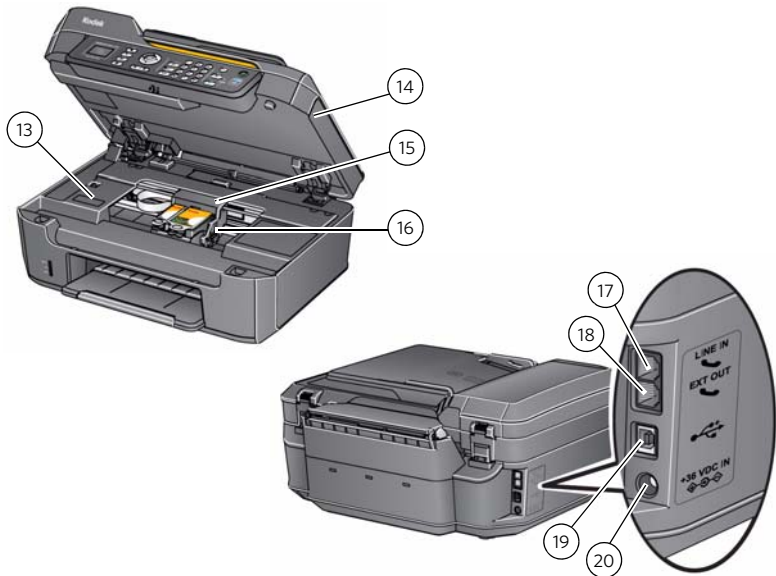


9 Front USB port (ESP Office 2170 only)

10 Memory card slot

11 Scanner lid

12 Scanner glass



13 KODAK Service Number

14 Access door

15 Carriage

16 Printhead with ink cartridges installed

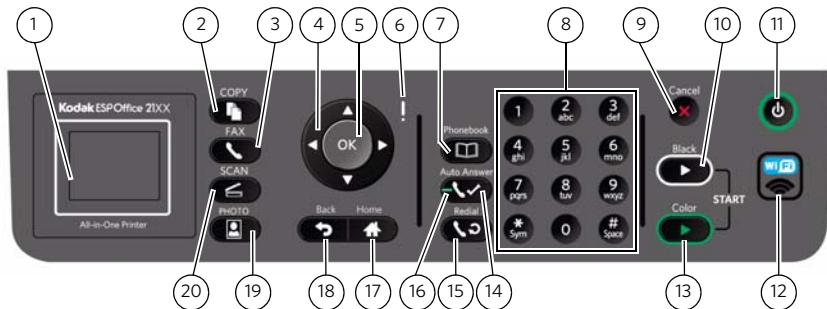
17 Line in phone port

18 Ext out phone port

19 USB port (for connecting to computer)

20 Power cord connection port

Control panel



Feature

- 1 LCD
- 2 Copy button
- 3 Fax button
- 4 Navigation buttons
- 5 OK button
- 6 Attention light
- 7 Phonebook button

Description

- Displays pictures, messages, and menus
- Displays the Copy Document menu
- Lets you enter a phone number for sending a fax, or choose the Fax Options menu
- Used to navigate menus and scroll through pictures
- Selects a menu item, accepts a setting, or continues with the current operation
- Blinks when an error occurs
- Displays the phonebook of fax numbers; lets you enter or edit phone numbers

Feature	Description
8 Numeric keypad	Used to dial a phone number or a Quick Dial number for faxing; to enter information and Quick Dial settings into the fax phonebook; to specify a quantity for making copies; and to enter information for accessing a network
9 Cancel button	Stops the current operation and returns to the menu; clears certain errors to allow scanning or sending a fax
10 Start Black button	Starts the selected print, copy, scan, or fax in black and white
11 Power button	Turns the printer on or off
12 Wi-Fi connectivity LED	When lit, signals that the printer is connected to a wireless (Wi-Fi) network; blinks when searching for an available Wi-Fi network or when the existing signal is too weak to transmit or receive wireless signals
13 Start Color button	Starts the selected print, copy, scan, or fax in color
14 Auto Answer button	Turns the fax auto answer feature on or off; when on, the fax answers all incoming calls automatically
15 Redial button	Dials the last phone number dialed
16 Auto answer LED	Lights when the fax auto answer feature is on
17 Home button	Displays the main menu
18 Back button	Displays the next higher screen in the menu structure
19 Photo button	Displays the Print Photo Options menu
20 Scan button	Displays the Scan Options menu

Home Center Software

KODAK Home Center Software is installed with your KODAK All-in-One Printer Software, unless you choose otherwise. The Home Center icon will appear on your desktop.

On a computer with WINDOWS Operating System (OS), you can use Home Center Software to browse and edit pictures, print, copy, scan, order supplies, access the Extended User Guide, and configure your all-in-one printer from your computer.

On a computer with MAC OS, you can use Home Center Software to scan, order supplies, access the Extended User Guide, and configure your printer from your computer.

Paper

For the best photo printing results, use KODAK Photo Papers, which are optimized to work with KODAK All-in-One Printers.

For the best document printing results, use KODAK Document Papers or a paper with the COLORLOK Technology logo on the package. Use only paper that is designed for inkjet printers.

Paper types

You can print on:

- Plain paper — 16 to 24 lb / 60 to 90 gsm
- Photo paper — up to 12 mils / 290 gsm
- Card stock — 110 lb / 200 gsm, max
- Envelopes — most standard types
- Labels — all commercially available inkjet varieties on 8.5 x 11-in. or A4 sheets
- Iron-on transfers — all inkjet varieties on 8.5 x 11-in. or A4 sheets
- Transparencies — inkjet variety with white stripe on short edge

Paper sizes

You can print on the following paper sizes:

	Minimum size	Maximum size
English units	4 x 6 in.	8.5 x 14 in.
Metric units	10 x 15 cm	22 x 36 cm

For more information about paper types and sizes, see the Extended User Guide at www.kodak.com/go/esp2150manuals or www.kodak.com/go/esp2170manuals.

Loading paper

- 1 Open and lift the paper input tray.



- 2 Pull out the paper output tray and the extender until they are fully extended.



Loading plain paper

The input paper tray capacity is 150 sheets of plain paper.

To load plain paper:

- 1 Fan and stack the paper.
- 2 Make sure the left and right paper-edge guides are to the far left and far right, then insert the paper (short side first) into the input tray.
- 3 Move the paper-edge guides until they touch the paper.



Loading photo paper

The input paper tray capacity is 20 sheets of photo paper.

To load photo paper:

- 1 Remove any paper from the input tray.
- 2 Insert the paper (short side first) into the input tray with the **logo side facing toward the tray** and the **glossy side toward you**.

IMPORTANT: *If the photo paper is loaded the wrong way, the image quality will be affected.*

- 3 Move the paper-edge guides until they touch the paper.



2

Basic Functions

Loading originals

You can place originals for copying, scanning, or faxing on the scanner glass or in the ADF (automatic document feeder). The ADF automatically feeds the originals into the printer when you begin copying, scanning, or faxing.

Using the scanner glass

To place an original on the scanner glass:

- 1 Remove any originals from the automatic document feeder (ADF).
- 2 Lift the scanner lid, and place the document or picture face down in the right-front corner.
- 3 Close the scanner lid.



Using the Automatic Document Feeder (ADF)

You can load up to 25 originals (16 to 24 lb / 60 to 90 gsm plain paper) in the automatic document feeder (ADF).

The ADF accepts originals from B5 (6.9 x 9.8 in. / 176 x 250 mm) to legal size (8.5 x 14 in. / 216 x 356 mm).

IMPORTANT: *Do not load photographs, cards, or any paper stock heavier than 24 lb / 90 gsm in the ADF.*

- 1 Move the ADF paper-edge guides outward.



- 2 Fan and stack the originals, then insert them face up in the ADF.
- 3 Move the ADF paper-edge guides until they touch the paper.



Printing

Printing documents

To print a document from your computer:

- 1 Open the document.
- 2 Select **File > Print**.
- 3 In the Print window, select your KODAK Printer.
- 4 Choose the pages to print, number of copies, etc, then click **OK** (on a computer with WINDOWS OS) or **Print** (on a computer with MAC OS).

Printing pictures

You can print pictures using Home Center Software from your computer with WINDOWS OS. Home Center Software lets you edit and enhance your pictures quickly.

On a computer with either MAC OS or WINDOWS OS, you can print pictures from KODAK EASYSHARE Software or any picture-editing or photo-management software.

For more information about printing, see the Extended User Guide at www.kodak.com/go/esp2150manuals or www.kodak.com/go/esp2170manuals.

Copying

To make a copy:

- 1 Place the original(s) on the scanner glass or in the automatic document feeder.

IMPORTANT: *Do not load photographs, cards, or any paper stock heavier than 24 lb / 90 gsm in the ADF.*

- 2 Press **Home**.
- 3 Press ▼ or ▲ to select **Copy Document** or **Copy Photo**.
- 4 Press **Start Black** to make a black-and-white copy, or press **Start Color** to make a color copy.

For more information about copying, see the Extended User Guide at www.kodak.com/go/esp2150manuals or www.kodak.com/go/esp2170manuals.

Scanning

Before scanning, make sure that the printer is connected to your computer with a USB 2.0 cable or through a wireless network.

To scan a document or picture:

- 1 Place the original(s) on the scanner glass or in the automatic document feeder.

IMPORTANT: *Do not load photographs, cards, or any paper stock heavier than 24 lb / 90 gsm in the ADF.*

- 2 Open Home Center Software.
- 3 Select **Scan Pictures and Documents** (on a computer with WINDOWS OS), or select the **Tools** tab, then click **Scan Application** (on a computer with MAC OS).
- 4 Follow the instructions on the computer screen.

For more information about scanning, see the Extended User Guide at www.kodak.com/go/esp2150manuals or www.kodak.com/go/esp2170manuals.

Faxing

Before sending or receiving faxes, make sure that a wall phone line is plugged into the **Line in** port on the back of the printer.

Sending faxes

To send a fax:

- 1 Press **Fax**.
- 2 Enter a fax number using the numeric keypad.
- 3 Place the original(s) on the scanner glass or in the automatic document feeder.

IMPORTANT: *Do not load photographs, cards, or any paper stock heavier than 24 lb in the ADF.*

- 4 Press **Start Black** to send a black-and-white fax, or press **Start Color** to send a color fax.

Receiving faxes

To receive a fax:

- 1 Load plain paper into the printer.
- 2 Make sure the Auto Answer LED is on. (If not, press **Auto Answer** to turn it on.) The printer will receive all incoming faxes automatically.

NOTE: You can receive an incoming fax manually, even if Auto Answer is turned on. When you hear the phone ring, press **Start Black** or **Start Color**.

For more information about faxing, see the Extended User Guide at www.kodak.com/go/esp2150manuals or www.kodak.com/go/esp2170manuals.

Ordering supplies

You can order ink cartridges, paper, and accessories online.

To order supplies, make sure that your computer is connected to the Internet, then:

- 1 Open Home Center Software.
- 2 Select **Order Supplies** (on a computer with WINDOWS OS) or select the **Tools** tab, then click **Order Supplies** (on a computer with MAC OS).
- 3 Select the item(s) you want to buy, then follow the on-screen instructions.

3

Troubleshooting

Basic troubleshooting

Some problems can be resolved quickly by power cycling the printer: Turn off your printer. Wait five seconds. Turn on the printer.

Use the following information to help troubleshoot problems with your printer.

Problem	Possible Solutions
Wireless connectivity	For wireless connectivity issues, go to www.kodak.com/go/inkjetnetworking .
Printer does not power on	<ul style="list-style-type: none">• Make sure you are using the power cord that came with your printer.• Make sure the power cord is connected to the AC adapter and is plugged into an outlet or power strip.

Problem	Possible Solutions
Printer not detected	<ul style="list-style-type: none">• Make sure that your printer is plugged in and turned on.• If you are using a USB cable, make sure that:<ul style="list-style-type: none">– it is a USB 2.0 high-speed cable.– it is connected to both your printer and your computer.– you restart the computer if the USB cable was disconnected from the printer then reconnected, or if power to the printer was interrupted.• If you are using a wireless connection, make sure that:<ul style="list-style-type: none">– the printer is connected to your wireless network.To check:<ol style="list-style-type: none">a On the printer, press Home.b Press ▼ to select Network Settings, then press OK.c Press ▼ to select View Network Configuration, then press OK.d Make sure that the Active Connection Type is Wi-Fi, and that the IP Address is not 0.0.0.0.<ul style="list-style-type: none">– your router is transmitting data.– the firewall (excluding WINDOWS Firewall) is allowing the services needed for your printer. <p>For more information, go to www.kodak.com/go/inkjetnetworking.</p>

Problem	Possible Solutions
Carriage jam	<ul style="list-style-type: none"> • Open the access door and clear any obstructions. • Do not move the carriage by force or pull any cables. • Check that the printhead and ink cartridges are installed correctly. (The printhead and ink cartridges are installed correctly when you hear them click into place.)
Print quality	<ul style="list-style-type: none"> • For best results, use KODAK Paper or a paper with the COLORLOK Technology logo on the package. • Make sure the paper is loaded correctly. See Loading plain paper, page 9 and Loading photo paper, page 10. • For more help, go to www.kodak.com/go/troubleshooting.
Ink cartridge errors	<ul style="list-style-type: none"> • Check that KODAK Ink Cartridge(s) are installed. Do not use non-Kodak brand or refilled ink cartridges. • Remove, then install the cartridges again. Make sure the cartridges click into place.
Paper jam	<ul style="list-style-type: none"> • Open the printer access door and gently remove any paper from inside the printer. • Make sure the paper in the input tray is free of tears or creases. • Make sure you do not overload the paper input tray. <p>For more information, go to www.kodak.com/go/troubleshooting.</p>

Problem	Possible Solutions
<p>Cannot send or receive a fax</p>	<ul style="list-style-type: none"> • Make sure that the wall phone line is plugged into the Line in port. • Verify that the wall jack works by plugging in a phone and checking for a dial tone. • Verify that Region is set to the correct country code. <ol style="list-style-type: none"> 1 Press Home. 2 Press ▼ or ▲ to select Printer Settings, then press OK. 3 Press ▼ to select Country/Region, then press OK. 4 Press ▼ or ▲ to select your country, then press OK. • If you are connected to a DSL phone line, make sure you have a DSL filter connected to the phone jack. <p>For more information, go to www.kodak.com/go/troubleshooting.</p>
<p>Error codes/messages</p>	<ul style="list-style-type: none"> • Go to www.kodak.com/go/esp2150support or www.kodak.com/go/esp2170support, then type your error code or message.

Getting help on the Web

For more troubleshooting information:

<p>Get help with wireless networking.</p>	<p>www.kodak.com/go/inkjetnetworking</p>
<p>Search our knowledge base for answers.</p>	<p>www.kodak.com/go/esp2150support or www.kodak.com/go/esp2170support</p>
<p>Download the latest firmware and software for optimal printer performance.</p>	<p>www.kodak.com/go/esp2150downloads or www.kodak.com/go/esp2170downloads</p>
<p>Check the Extended User Guide for detailed instructions and recommended system requirements.</p>	<p>www.kodak.com/go/esp2150manuals or www.kodak.com/go/esp2170manuals</p>
<p>Get help with problems you cannot resolve.</p>	<p>Contact Kodak at www.kodak.com/go/contact and have the following information available:</p> <ul style="list-style-type: none"> – KODAK Service Number (located inside the printer when you open the access door) – Printer model number (located on the control panel above the LCD) – Computer model, operating system, and version of Home Center Software

Safety Information

- Always follow all warnings and instructions marked on the product.
- Use only the power source indicated on the product regulatory label.
- Use only the power cord that comes with the product. Using another power cord may cause fires and or shock. Do not use the included power cord with any other equipment.
- If you do not use this product for a long period of time, unplug it from the electrical outlet.
- Always turn this product off by using the On/Off button. Wait until the On/Off button stops flashing before removing the power plug from the outlet.
- Do not allow the power cord to become damaged or frayed.
- If you need to use an extension cord with this product, make sure that the ampere rating of the product does not exceed the ampere rating of the extension cord.
- Place the product on a flat, stable surface that extends beyond the product's base in all directions. This product will not operate properly if tilted or at an angle.
- When storing or transporting this product, do not tilt or stand it on its side. Never turn this product upside down (ink can leak out of the product).
- Avoid placing this product in an environment that is subject to rapid changes in temperature or humidity, mechanical shocks, vibration, or dust. Do not place near radiators, heating vents, or in direct sunlight.

- Leave enough room around this product for sufficient ventilation.
- Do not block this product's covers or openings, or insert any objects through slots.
- Do not use aerosol products inside or around this product.
- Do not spill any liquid on this product.
- Do not attempt to repair or service this product.
- If the power cord or plug is damaged, if any liquid has been spilled onto the product, if the product has been dropped or the case damaged, or if the product does not operate normally or exhibits a major change in performance level, unplug this product and contact Kodak at www.kodak.com/go/contact.

LCD Screen Safety

- Use only a dry, soft cloth to clean the LCD screen. Do not use any liquid or chemical cleaners.
- If the LCD screen is damaged, contact Kodak immediately. If any of the solution from the display gets on your hands, wash them thoroughly with soap and water.

Ink Cartridge Safety

- Keep all ink cartridges out of the reach of children.
- If ink gets on your skin, wash with soap and water. If ink gets into your eyes, flush immediately with water. If any discomfort or change in vision persists after washing, seek medical attention immediately.
- For Material Safety Data Sheets on inks, go to www.kodak.com/go/MSDS.

Warranty Information

Limited Warranty

Kodak warrants Kodak consumer electronic products and accessories (“Products”), excluding batteries, to be free from malfunctions and defects in both materials and workmanship for one year from the date of purchase. Retain the original dated sales receipt. Proof of the date of purchase will be required with any request for warranty repair.

Limited Warranty Coverage

Warranty service is only available from within the country where the Products were originally purchased. You may be required to send Products, at your expense, to the authorized service facility for the country where the Products were purchased. Kodak will repair or replace Products if they fail to function properly during the warranty period, subject to any conditions and/or limitations stated herein. Warranty service will include all labor as well as any necessary adjustments and/or replacement parts. If Kodak is unable to repair or replace a Product, Kodak will, at its option, refund the purchase price paid for the Product provided the Product has been returned to Kodak together with proof of the purchase price paid. Repair, replacement, or refund of the purchase price are the sole remedies under this warranty. If replacement parts are used in making repairs, those parts may be remanufactured or may contain remanufactured materials. If it is necessary to replace the entire Product, it may be replaced with a remanufactured Product. Remanufactured Products, parts and materials are warranted for the remaining warranty term of the original Product, or 90 days after the date of repair or replacement, whichever is longer.

Limitations

This warranty does not cover circumstances beyond Kodak's control. This warranty does not apply when failure is due to shipping damage, accident, alteration, modification, unauthorized service, misuse, abuse, use with incompatible accessories or attachments (such as third party ink or ink tanks), failure to follow Kodak's operation, maintenance or repacking instructions, failure to use items supplied by Kodak (such as adapters and cables), or claims made after the duration of this warranty. KODAK MAKES NO OTHER EXPRESS OR IMPLIED WARRANTY FOR THIS PRODUCT, AND DISCLAIMS THE IMPLIED WARRANTIES AND CONDITIONS OF MERCHANTABILITY AND FITNESS FOR A PARTICULAR PURPOSE. In the event that the exclusion of any implied warranty is ineffective under the law, the duration of the implied warranty will be one year from the purchase date or such longer period as required by law. The option of repair, replacement, or refund is Kodak's only obligation. Kodak will not be responsible for any special, consequential or incidental damages resulting from the sale, purchase, or use of this product regardless of the cause. Liability for any special consequential or incidental damages (including but not limited to loss of revenue or profit, downtime costs, loss of the use of the equipment, cost of substitute equipment, facilities or services or claims of your customers for such damages resulting from the purchase, use or failure of the Product), regardless of cause, or for breach of any written or implied warranty is expressly disclaimed.

Your Rights

Some states or jurisdictions do not allow exclusion or limitation of incidental or consequential damages, so the above limitation or exclusion may not apply to you. Some states or jurisdictions do not allow limitations on how long an implied warranty lasts, so the above limitation may not apply to you. This warranty gives you specific rights, and you may have other rights which vary from state to state or by jurisdiction. Your statutory rights are not affected.

Outside the United States and Canada

In countries other than the United States and Canada, the terms and conditions of this warranty may be different. Unless a specific Kodak warranty is communicated to the purchaser in writing by a Kodak company, no warranty or liability exists beyond any minimum requirements imposed by law, even though defect, damage, or loss may be by negligence or other act.

Declaration of Conformity

See www.kodak.com/go/declarationofconformity

Kodak

Eastman Kodak Company
Rochester, NY 14650 U.S.A.

© Eastman Kodak Company, 2010.
MC/MR/TM: Kodak, ESP, EasyShare.
Printed in China.



1K7637