

Video Amplifier Module

APPLICATION

Run modulated input through this Video Amplifier Module to boost video signal strength up to 25dB. It features a variable attenuator for signal amplification level setting, and an FM trap to eliminate unwanted FM interference.

STANDARDS COMPLIANCE

Meets or exceeds applicable standards: UL Listed

PHYSICAL SPECIFICATIONS

Dimensions:	6.58"h x 3.67"w x 4.4"d
Frequency Range MHz:	50-1000
Gain Control Range dB:	10-25dB
FM Trap dB:	25
Impedance:	75 Ohm
Connector Type:	F
Power Source:	12 VDC 500 mA

FEATURES

- Variable attenuator enables precise amplification for the clearest signal possible.
- Run cable TV or off-air antenna through the Video Amplifier before splitting and distributing throughout the home or office.
- Boost signal strength by up to 25 dB.

WARRANTY INFORMATION

- Two-year limited product warranty

For ELECTRONIC Typical Specs see (.TXT) file on disk.

TYPICAL SPECIFICATIONS

The Video Amplifier Module shall be UL listed. It shall have a frequency range from 50 to 1000 Mhz. It shall have a gain control range of 5 to 25 dB. The amplifier shall have a variable attenuator and an FM trap. For power, it shall use F-Connectors and 12VDC. The manufacturer shall provide a two-year limited product warranty.

See ELECTRONIC FILES for CAD files (.DXF, .DWG, MS-DOS.EPS) on disk



Video Amplifier Module



For Applications Engineering Support – Call 1-425-485-4288; in USA call 1-800-722-2082
Spec sheets and updates are also available at www.levitonvoicedata.com.

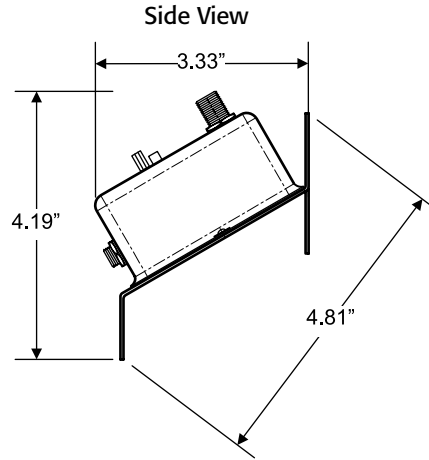
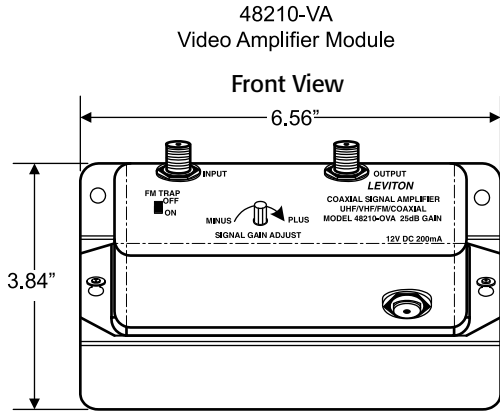
Video Amplifier

Part Numbers
48210-VA

.....

DIMENSIONAL LINE ART

See ELECTRONIC FILES for CAD images
(.DXF, .DWG, MS-DOS.EPS)



PART NUMBER

Video Amplifier Module	Part Number
Video Amplifier Module	48210-VA

For Applications Engineering Support – Call 1-425-485-4288; in USA call 1-800-722-2082.
Spec sheets and updates are also available at www.levitonvoicedata.com.



2222 – 222nd St. SE • Bothell, WA 98021 USA • Tel: 1-800-722-2082 / 1-425-485-4288 • Fax: 1-425-483-5270 • Int'l Fax: 1-425-485-9170 • GSA# GS-35F-4785G

