

# PORTABLE AIR CONDITIONER



## ~~OWNER'S MANUAL~~

ENGLISH & ESPAÑOL



**Model:**  
**MPG-08CRN1-BH9**  
**MPG-10CRN1-BH9**

Inside you will find many helpful hints on how to use and maintain your air conditioner properly. Just a little preventative care on your part can save you a great deal of time and money over the life of your air conditioner. Before operating this product, please read the instructions carefully and save this manual for future use.



## Tarjeta de Registracion de Producto

Es sencillo! Cumple y envia su Tarjeta de Registracion de Producto hoy!

Nombre

Dirección

Ciudad  Estado  Código postal

Teléfono (Opcional)  /  -

Dirección de E-mail (Opcional)

Donde Comprado

Numero de Modelo

Numero de Serie

Mes

Dia

Ano

REV 11/04

Fecha de la compra

**Porfavor devuelve su Tarjeta de Registracion de Producto hoy!**



## Product Registration Card

It's simple! Complete and mail your Product Registration Card today!

Name

Address

City  State  Zip

Phone (Optional)  /  -

E-mail Address (Optional)

Where Purchased

Model Number

Serial Number

Month

Day

Year

REV 11/04

Date of Purchase

**Please return your Product Registration Card today!**

MIDEA AMERICA CORP  
PRODUCT REGISTRATION CENTER  
10305 NW 41ST ST STE 221  
DORAL FL 33178-2976



PLACE  
STAMP  
HERE

Postage  
Required.  
Post Office will  
not deliver  
without proper  
postage.



---

---

---



## Product Warranty Card

### Tarjeta de Garantia de Producto

#### Air conditioner warranty

Your product is protected by this warranty:  
Your appliance is warranted by Midea. Any obligations for services and parts under this warranty must be performed by Midea Consumer Services or an authorized Midea servicer  
To contact a Customer Service Representative, Call Midea TOLL FREE

**1 – 866 – 64 – MIDEA®**

#### Garantía

Su producto está protegido por esta garantía:  
Su producto está garantizado por Midea. Cualquier obligación de proporcionar servicio o repuestos establecida en esta garantía deberá ser cumplida por los Servicios al consumidor de Midea o por un representante autorizado de Midea.  
Para comunicarse con un Representante de Servicio al Cliente, tenga la bondad de llamar por teléfono sin cargo alguno a Midea, al número:

**1 – 866 – 64 – MIDEA®**

# CONTENTS

---

## **SAFETY PRECAUTIONS**

Always do this.....	2
Never do this.....	2
Operating condition.....	2
Electrical information .....	3

## **IDENTIFICATION OF PARTS**

Accessories .....	3
Names of parts.....	4

## **AIR CONDITIONER FEATURES**

Electronic control operating instructions .....	5
---	---

## **OPERATING INSTRUCTIONS**

Operating instructions .....	7
------------------------------	---

## **INSTALLATION INSTRUCTIONS**

Location .....	9
Window kit installation .....	9
Exhaust hose installation .....	12

## **CARE AND MAINTENANCE**

Care and maintenance .....	13
----------------------------	----

## **TROUBLESHOOTING TIPS**

Trouble shooting .....	14
------------------------	----

### **NOTE**

The rating data indicated on the energy label is based on the testing condition of installing the un-extended air exhaust duct without adaptor ( The duct and the adaptor are listed in the accessories chart of the Instruction Manual ).

## SAFETY PRECAUTIONS

### Safety rules

To prevent injury to the user or other people and property damage, the following instructions must be followed. Incorrect operation due to ignoring of instructions may cause harm or damage.

#### ! Always do this

- Your air conditioner should be used in such a way that it is protected from moisture. e.g. condensation, splashed water, etc. Do not place or store your air conditioner where it can fall or be pulled into water or any other liquid. Unplug immediately.
- Always transport your air conditioner in a vertical position and stand on a stable, level surface during use.
- Turn off the product when not in use.
- Always contact a qualified person to carry out repairs. If the supply cord is damaged it must be repaired by a qualified repairer.
- Keep an air path of at least 30cm all around the unit from walls, furniture and curtains.
- If the air conditioner is knocked over during use, turn off the unit and unplug from the mains supply immediately.

#### ⊘ Never do this

- Do not operate your air conditioner in a wet room such as a bathroom or laundry room.
- Do not touch the unit with wet or damp hands or when barefoot.
- Do not press the buttons on the control panel with anything other than your fingers.
- Do not remove any fixed covers. Never use this appliance if it is not working properly, or if it has been dropped or damaged.
- Never use the plug to start and stop the unit.
- Always use the switch on the control panel.
- Do not cover or obstruct the inlet or outlet grilles.
- Do not use hazardous chemicals to clean or come into contact with the unit. Do not use the unit in the presence of inflammable substances or vapour such as alcohol, insecticides, petrol, etc.
- Do not allow children to operate the unit unsupervised.
- Do not use this product for functions other than those described in this instruction manual.

#### Energy Save

- Use the unit in the recommended room size.
- Locate the unit where furniture cannot obstruct the air flow.
- Keep blinds/curtains closed during the sunniest part of the day.
- Keep the filters clean.
- Keep doors and windows closed to keep cool air in and warm air out.

### Operating condition

- The air conditioner must be operated within the temperature range indicated below:

MODE	ROOM TEMPERATURE
COOL	17°C~32°C / 62°F~92°F
DRY	13°C~32°C / 54°F~92°F

### Suggested tools for window kit installation

1. Screwdriver (medium size Phillips)
2. Tape measure or ruler
3. Knife or scissors
4. Saw (In the event that the window kit needs to be cut down in size because the window is too narrow for direct installation)

## IDENTIFICATION OF PARTS





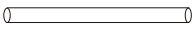




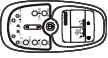

### For your safety

- Do not store or use gasoline or other flammable vapors and liquids in the vicinity of this or any other appliance.
- Avoid fire hazard or electric shock. Do not use an extension cord or an adaptor plug. Do not remove any prong from the power cord.

### **▲ WARNING** Electrical Information

- Be sure the electrical service is adequate for the model you have chosen. This information can be found on the serial plate, which is located on the side of the cabinet and behind the grille.
- Be sure the air conditioner is properly grounded. To minimize shock and fire hazards, proper grounding is important. The power cord is equipped with a three-prong grounding plug for protection against shock hazards.
- Your air conditioner must be used in a properly grounded wall receptacle. If the wall receptacle you intend to use is not adequately grounded or protected by a time delay fuse or circuit breaker, have a qualified electrician install the proper receptacle.
- Ensure the receptacle is accessible after the unit installation.

### Accessories

PARTS :	PARTS NAME :	PARTS NUMBER:	QUANTITY :
	Air Outlet Tie-in	<b>201125690025</b>	1
	Air Outlet Pipe	<b>201125190097</b>	1
	Adaptor (for temporary duct mounting)	<b>201125690024</b>	1
	Band (For bundling the power cord )	<b>201125080113</b>	1
	Drain Hose(Continuous drainage)	<b>201125190006</b>	1
	Window Slider Kit II	<b>201125090002</b>	1
	Window Slider Kit I	<b>201125090001</b>	1
	Foam	<b>202125090082</b>	1
	Foam	<b>202125090090</b>	2
	Remote Controller	<b>2033550A3129</b>	1
	Battery	<b>202319900034</b>	2

- Check all the accessories are included in the package and please refer to the installation instructions for their usage.

## IDENTIFICATION OF PARTS

### NAMES OF PARTS



Before Using This Air Conditioner, be Sure To Check The Back Of The Unit To Make Sure That The Lower Drain Plug Is Security In Place .  
See Fig.2 13

#### FRONT VIEW

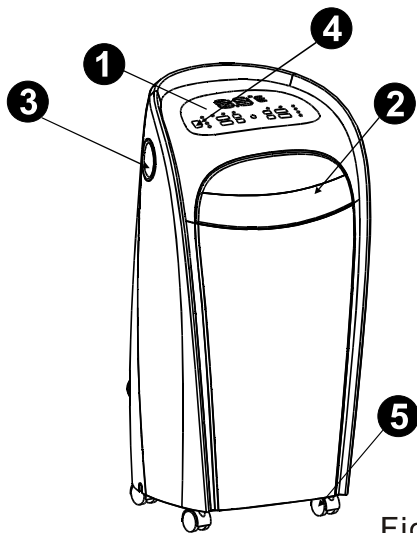


Fig.1

- 1 Operation Panel
- 2 Horizontal Louver Blade
- 3 Carrying Handle (both sides)
- 4 Remote signal receptor
- 5 Caster

#### REAR VIEW

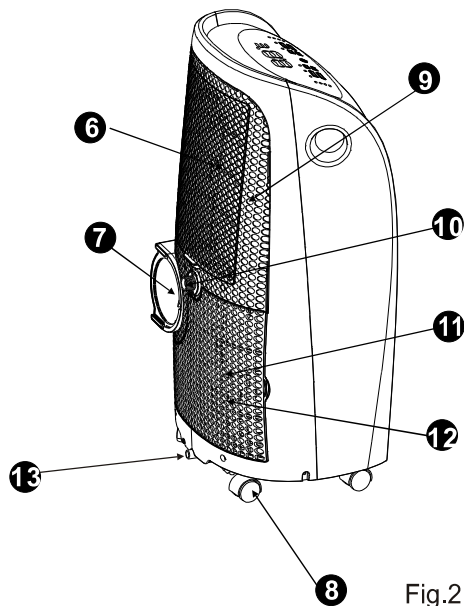


Fig.2

- 6 Upper Air Filter (Behind the grille)
- 7 Air Outlet
- 8 Caster
- 9 Air intake
- 10 Drain Outlet
- 11 Air intake
- 12 Lower Air Filter (Behind the grille)
- 13 Bottom drain plug