
GROUP 52

**INTERIOR AND
SUPPLEMENTAL
SYSTEM (SRS)**

CONTENTS

INTERIOR	52A
SUPPLEMENTAL RESTRAINT SYSTEM (SRS)	52B

GROUP 52A

INTERIOR

CONTENTS

SEAT BELT DIAGNOSIS	52A-3	FRONT SEAT ASSEMBLY	52A-17
SEAT BELT WARNING SYSTEM DIAGNOSIS	52A-3	REMOVAL AND INSTALLATION	52A-17
		DISASSEMBLY AND ASSEMBLY	52A-18
		INSPECTION	52A-22
SPECIAL TOOLS	52A-3		
INSTRUMENT PANEL ASSEMBLY	52A-4	REAR SEAT ASSEMBLY	52A-23
REMOVAL AND INSTALLATION	52A-4	REMOVAL AND INSTALLATION	52A-23
DISASSEMBLY AND ASSEMBLY	52A-8	DISASSEMBLY AND ASSEMBLY	52A-26
FLOOR CONSOLE ASSEMBLY	52A-9	FRONT SEAT BELT	52A-28
REMOVAL AND INSTALLATION	52A-9	REMOVAL AND INSTALLATION	52A-28
		INSPECTION	52A-30
TRIMS	52A-10	REAR SEAT BELT	52A-30
REMOVAL AND INSTALLATION <ECLIPSE>	52A-10	REMOVAL AND INSTALLATION	52A-30
HEADLINING	52A-14	SPECIFICATIONS	52A-32
REMOVAL AND INSTALLATION	52A-14	FASTENER TIGHTENING SPECIFICATIONS	52A-32
INSIDE REAR VIEW MIRROR	52A-15		
REMOVAL AND INSTALLATION	52A-15		

WARNINGS REGARDING SERVICING OF SUPPLEMENTAL RESTRAINT SYSTEM (SRS) EQUIPPED VEHICLES

⚠ WARNING

- *Improper service or maintenance of any component of the SRS, or any SRS-related component, can lead to personal injury or death to service personnel (from inadvertent firing of the air bag) or to the driver and passenger (from rendering the SRS inoperative).*
- *Service or maintenance of any SRS component or SRS-related component must be performed only at an authorized MITSUBISHI dealer.*
- *MITSUBISHI dealer personnel must thoroughly review this manual, and especially its GROUP 52B - Supplemental Restraint System (SRS) before beginning any service or maintenance of any component of the SRS or any SRS-related component.*

NOTE

The SRS includes the following components: SRS air bag control unit, SRS warning light, front impact sensors, air bag module, clock spring, and interconnecting wiring. Other SRS-related components (that may have to be removed/installed in connection with SRS service or maintenance) are indicated in the table of contents by an asterisk (*).

SEAT BELT DIAGNOSIS

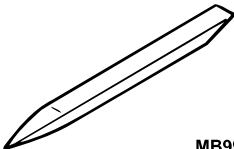
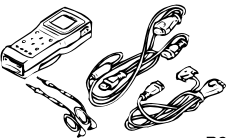
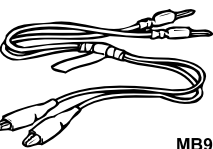
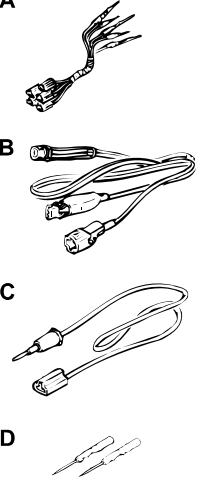
SEAT BELT WARNING SYSTEM DIAGNOSIS

M1521000700067

The seat belt warning system is controlled by the Simplified Wiring System (SWS). For troubleshooting, refer to GROUP 54B P.54B-115.

SPECIAL TOOLS

M1521000600060

TOOL	TOOL NUMBER AND NAME	SUPERSESSON	APPLICATION
 <p>MB990784</p>	<p>MB990784 Ornament remover</p>	<p>General service tool</p>	<p>Removal of switch, trim, etc.</p>
 <p>B991502</p>	<p>MB991502 Scan tool (MUT-II)</p>	<p>MB991496-OD</p>	<p>Checking the ETACS-ECU input signal</p>
 <p>MB991529</p>	<p>MB991529 Diagnostic trouble code check harness</p>	<p>Tool not necessary if scan tool (MUT-II) is available</p>	<p>Checking the ETACS-ECU input signal (When using the voltmeter)</p>
 <p>MB991223AE</p>	<p>MB991223 A: MB991219 B: MB991220 C: MB991221 D: MB991222 Harness set A: Test harness B: LED harness C: LED harness D: Probe</p>	<p>MB991223</p>	<p>Measurement of terminal voltage</p>

TSB Revision

INSTRUMENT PANEL ASSEMBLY




REMOVAL AND INSTALLATION

M1521001700060

⚠ WARNING

For removal and installation of the passenger's side air bag module, always observe the service procedures described in GROUP 52B, Air Bag Module and Clock Spring P.52B-69.

The bolts and screws described below are used for installation of the instrument panel. They are indicated by symbols in the illustration.

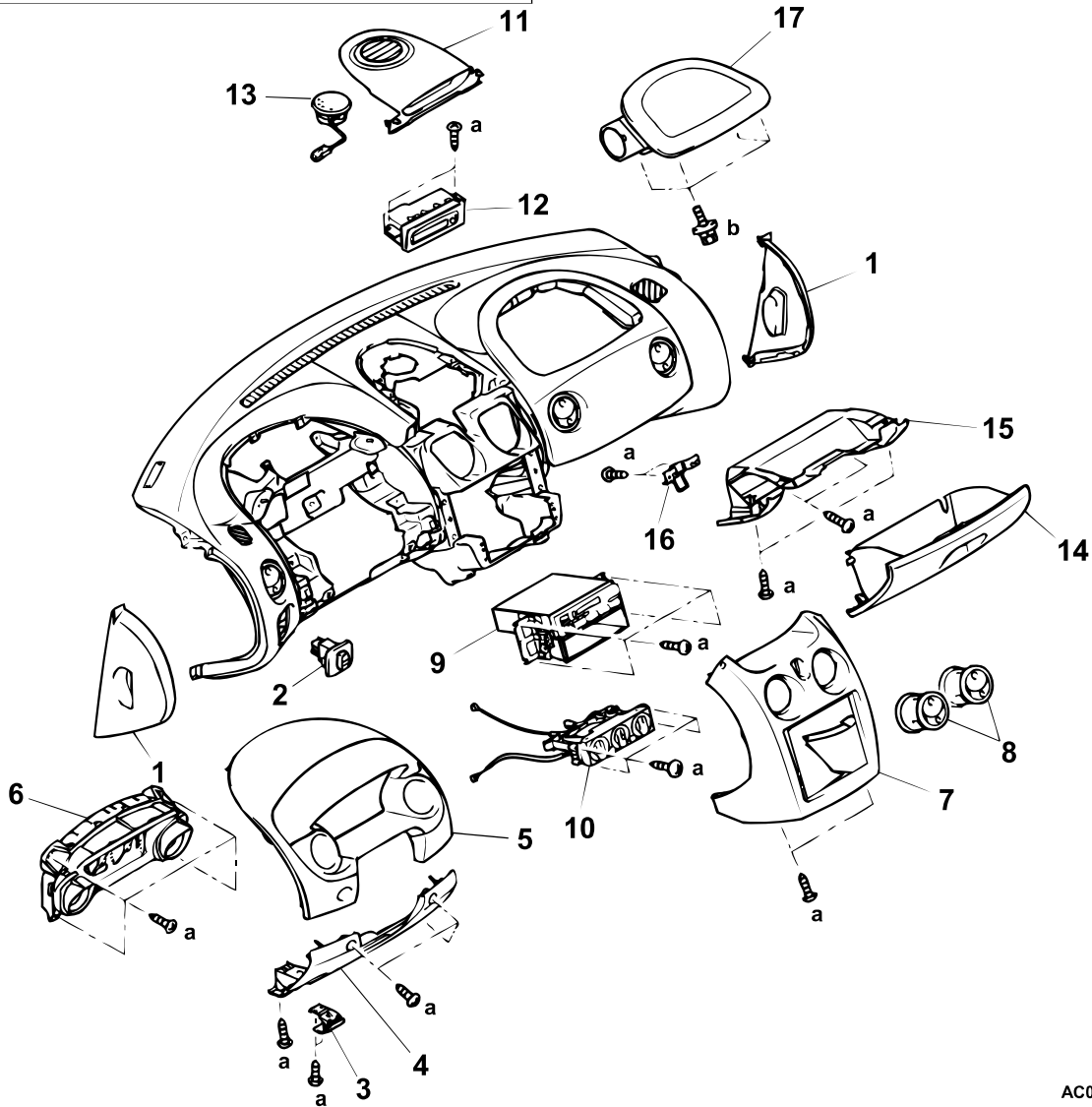
NAME	SYMBOL	SIZE (D × L) mm (in)	COLOR	SHAPE
Tapping screw	a	5 × 16 (0.20 × 0.63)	-	 ACX01282
Washer assembled bolt	b	6 × 16 (0.24 × 0.63)	-	 ACX02229
	c	6 × 20 (0.24 × 0.79)		
	d	6 × 16 (0.24 × 0.63)		
Washer assembled bolt (ground)	e	6 × 16 (0.24 × 0.63)	-	 ACX00614
	f	6 × 20 (0.24 × 0.79)		

D: Thread diameter L: Effective thread length

TSB Revision

Pre-removal and Post-installation Operation

- Floor Console Assembly Removal and Installation (Refer to P.52A-9.)
- Steering Wheel and Shaft Removal and Installation (Refer to GROUP 37A, Steering Wheel and Shaft P.37A-20.)
- Front Pillar Trim Removal Installation (Refer to P.52A-10.)



AC003330AB

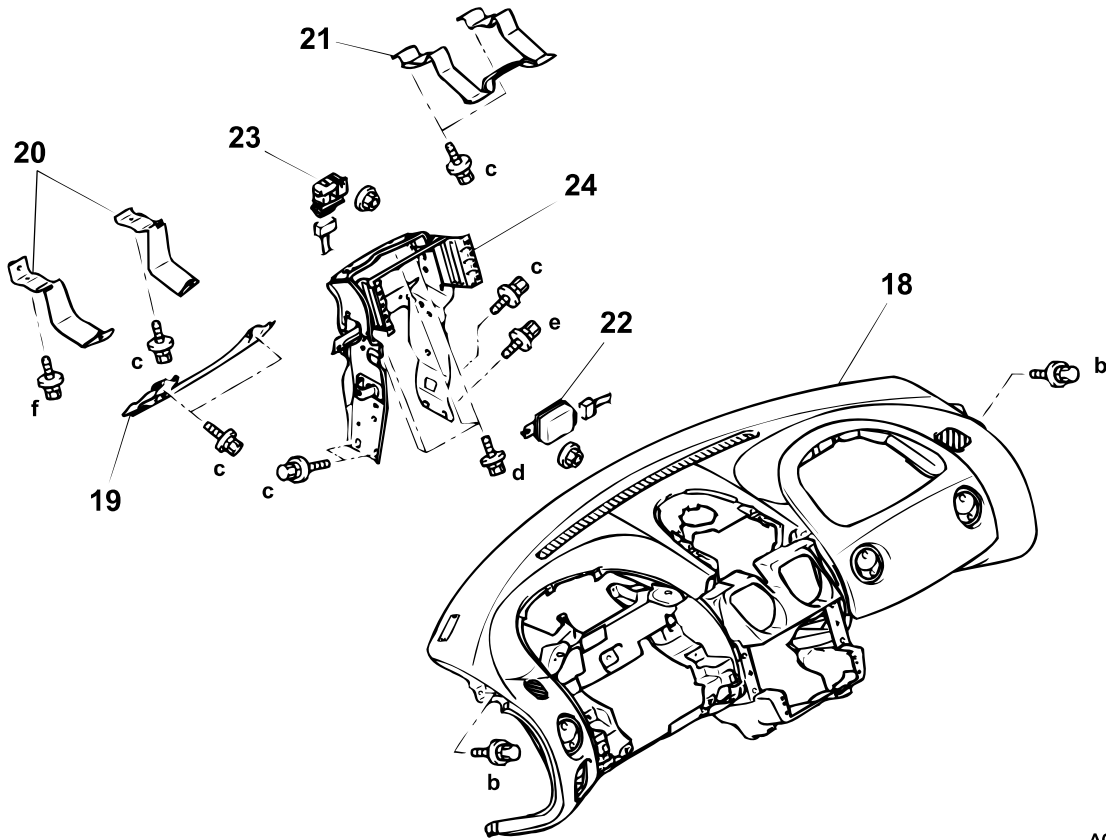
REMOVAL STEPS

1. INSTRUMENT PANEL SIDE COVER
2. FOG LAMP SWITCH ASSEMBLY
3. HOOD LOCK RELEASE HANDLE
4. INSTRUMENT PANEL UNDER COVER
5. METER BEZEL ASSEMBLY
6. COMBINATION METER
7. CENTER PANEL ASSEMBLY
8. AIR OUTLET (CENTER SIDE)
9. RADIO AND TAPE PLAYER ASSEMBLY

REMOVAL STEPS (Continued)

10. HEATER CONTROL ASSEMBLY (REFER TO GROUP 55, HEATER CONTROL ASSEMBLY AND A/C SWITCH P.55-26.)
11. CENTER HOOD
12. MULTI CENTER DISPLAY
13. CENTER SPEAKER
14. GLOVE BOX, OUTER
15. GLOVE BOX, INNER
16. GLOVE BOX STRIKER
17. AIR BAG MODULE (PASSENGER'S SIDE) (REFER TO GROUP 52B, AIR BAG MODULES AND CLOCK SPRING P.52B-69.)

TSB Revision



AC003331AB

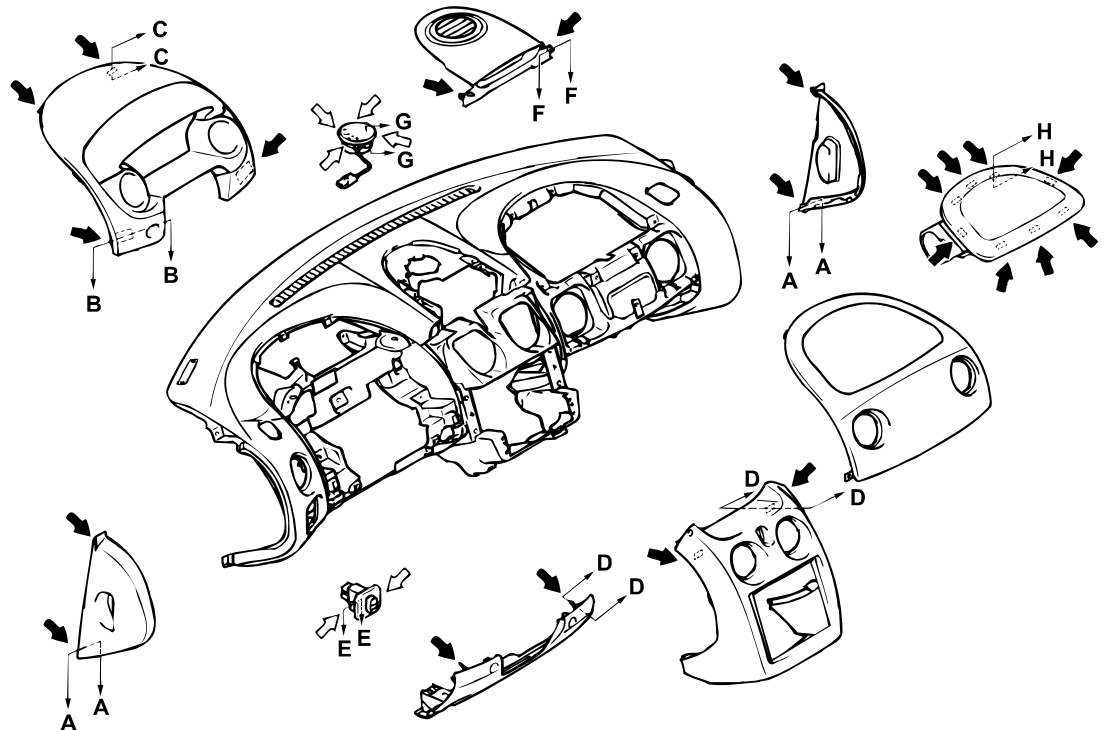
REMOVAL STEPS

- 18. INSTRUMENT PANEL ASSEMBLY
- 19. INSTRUMENT PANEL REINFORCEMENT
- 20. KNEE ABSORBER (DRIVER'S SIDE)
- 21. KNEE ABSORBER (PASSENGER'S SIDE)

REMOVAL STEPS (Continued)

- 22. AUTO-CRUISE CONTROL-ECU
- 23. IMMOBILIZER-ECU
- 24. INSTRUMENT PANEL CENTER REINFORCEMENT

CLIP AND CLAW POSITIONS



NOTE
 ←: Clip position
 ⇐: Claw position

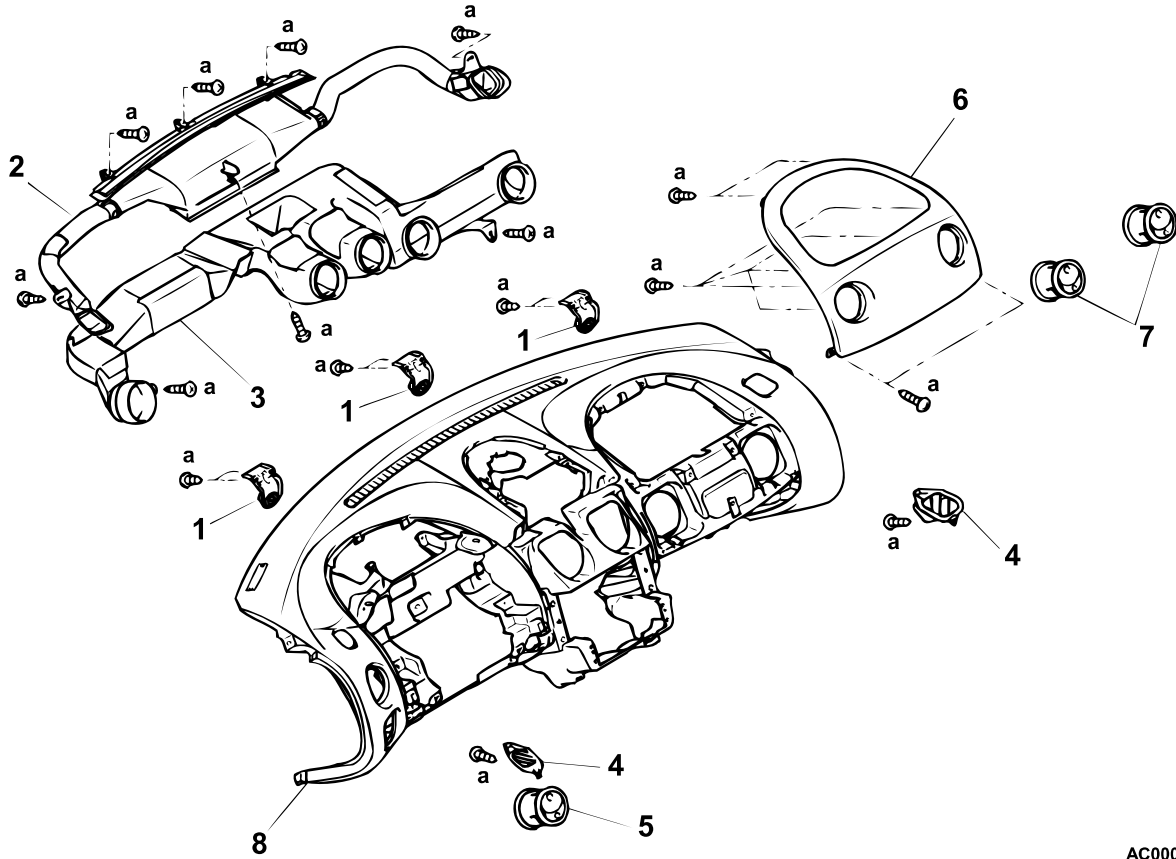
<p>SECTION A - A</p> <p>CLIP INSTRUMENT PANEL INSTRUMENT PANEL SIDE COVER</p>	<p>SECTION B - B</p> <p>CLIP INSTRUMENT PANEL METER BEZEL</p>	<p>SECTION C - C</p> <p>CLIP INSTRUMENT PANEL METER BEZEL</p>	<p>SECTION D - D</p> <p>CLIP COVER INSTRUMENT PANEL</p>
<p>SECTION E - E</p> <p>INSTRUMENT PANEL CLAW FOGLIGHT SWITCH ASSEMBLY</p>	<p>SECTION F - F</p> <p>CLIP INSTRUMENT PANEL CENTER HOOD</p>	<p>SECTION G - G</p> <p>CENTER SPEAKER INSTRUMENT PANEL CLAW</p>	<p>SECTION H - H</p> <p>AIR BAG MODULE PAD CLIP</p>

AC003332AB

TSB Revision

DISASSEMBLY AND ASSEMBLY

M1521001900064



AC000328AB

DISASSEMBLY STEPS

1. INSTRUMENT PANEL UPPER BRACKET
2. DEFROSTER NOZZLE ASSEMBLY
3. DISTRIBUTION DUCT
4. SIDE DEFROSTER GRILLE

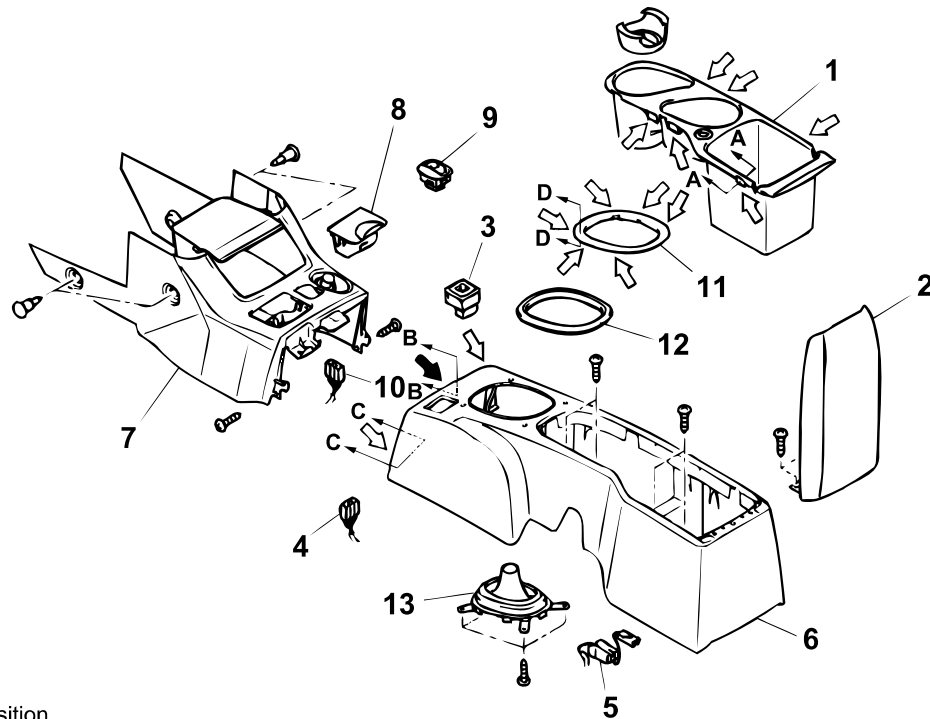
DISASSEMBLY STEPS (Continued)

5. AIR OUTLET (DRIVER'S SIDE)
6. PAD (PASSENGER'S SIDE)
7. AIR OUTLET (PASSENGER'S SIDE)
8. INSTRUMENT PANEL

FLOOR CONSOLE ASSEMBLY

REMOVAL AND INSTALLATION

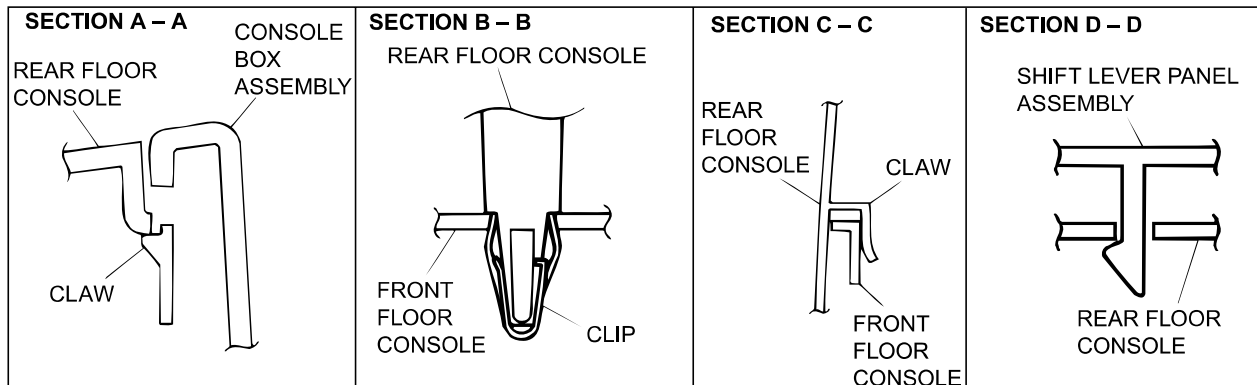
M1521002200068



NOTE

➔ : Clip position

↔ : Claw position



AC003043AB

REMOVAL STEPS

1. CONSOLE BOX ASSEMBLY
2. CONSOLE LID ASSEMBLY
<EXCEPT ECLIPSE "RS">
3. DOOR MIRROR CONTROL SWITCH
4. DOOR MIRROR CONTROL SWITCH HARNESS
5. ACCESSORY SOCKET HARNESS
6. REAR FLOOR CONSOLE
7. FRONT FLOOR CONSOLE

REMOVAL STEPS (Continued)

8. ASHTRAY
9. FOLDING TOP SWITCH <ECLIPSE SPYDER>
10. FOLDING TOP SWITCH HARNESS <ECLIPSE SPYDER>
11. SHIFT LEVER PANEL ASSEMBLY <M/T>
12. GARNISH <A/T>
13. SHIFT LEVER BOOT <M/T>

TSB Revision

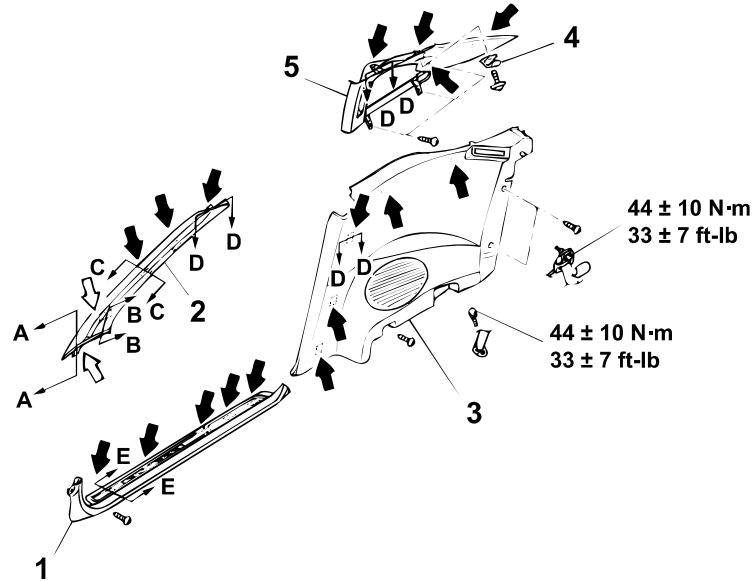
TRIMS

REMOVAL AND INSTALLATION <ECLIPSE>

M1521001100068

Pre-removal and Post-installation Operation

- Rear Seat Cushion and Installation (Refer to P.52A-23.)



NOTE

- ◄: Clip position
- ◁: Claw position

<p>SECTION A – A</p> <p>WINDSHIELD INSTRUMENT PANEL FRONT PILLAR TRIM</p>	<p>SECTION B – B</p> <p>FRONT PILLAR TRIM CLAW</p>	<p>SECTION C – C</p> <p>CLIP FRONT PILLAR TRIM</p>	<p>SECTION D – D</p> <p>CLIP TRIM</p>
<p>SECTION E – E</p> <p>FRONT SCUFF TRIM CLIP GROMMET</p>			

AC003034AB

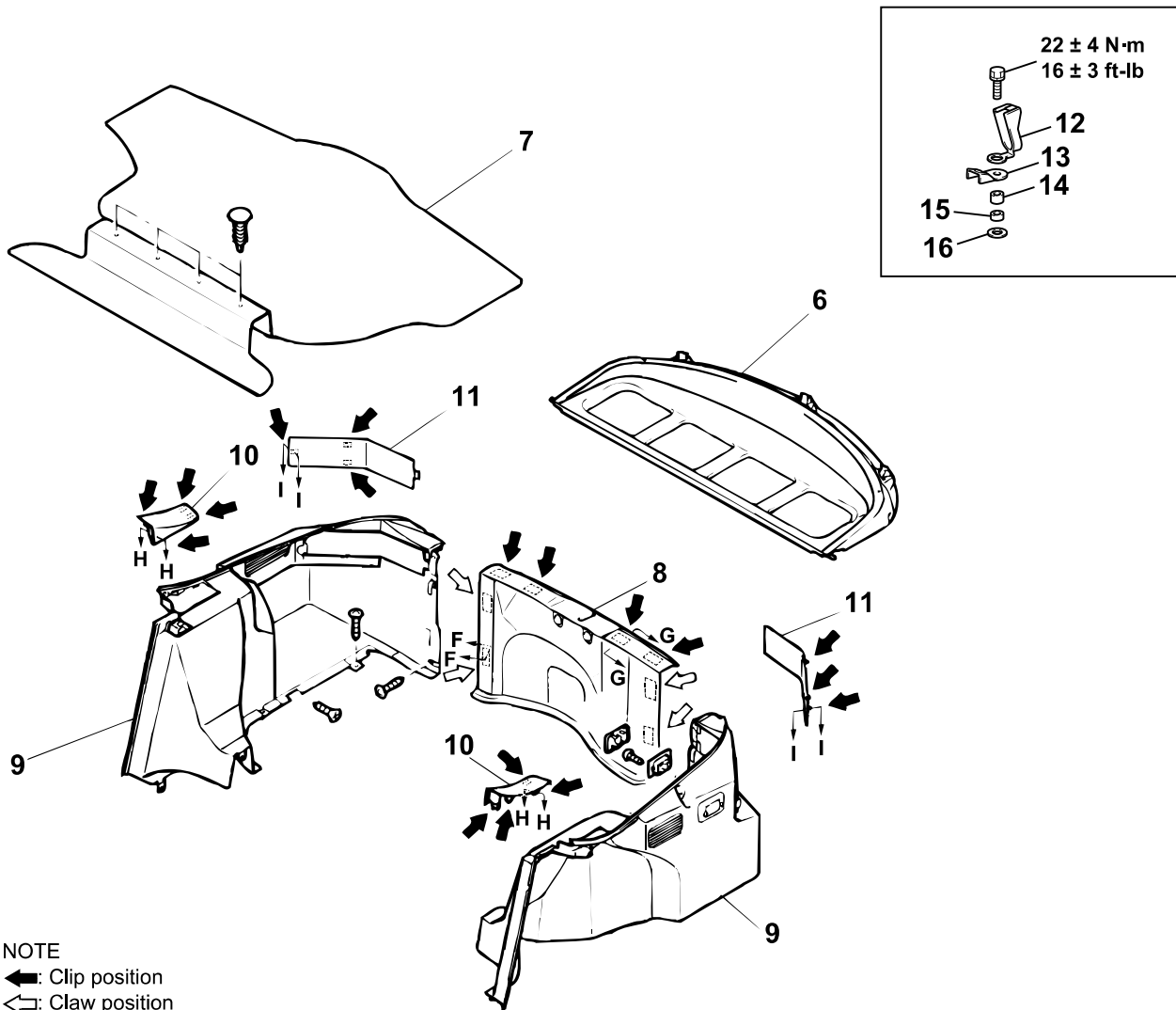
TRIMS REMOVAL STEPS

1. FRONT SCUFF PLATE
2. FRONT PILLAR TRIM
3. QUARTER TRIM, LOWER

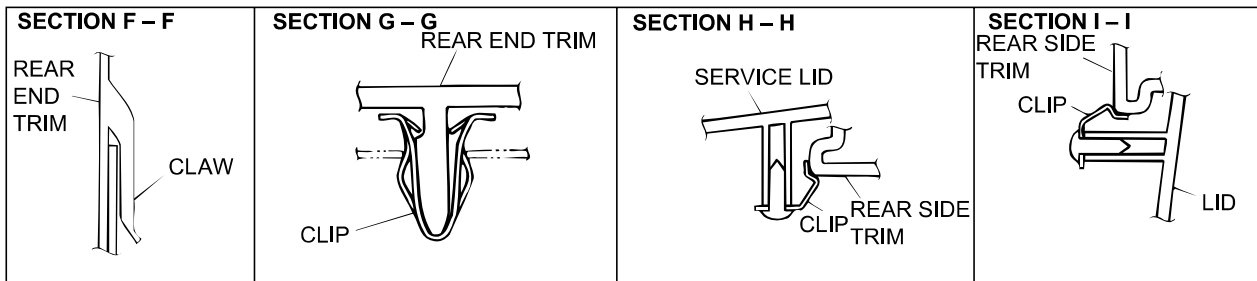
TRIMS REMOVAL STEPS

4. COAT HANGER (LH ONLY)
5. QUARTER TRIM, UPPER

TSB Revision



NOTE
 ←: Clip position
 ⇐: Claw position



AC003035AB

TRIMS REMOVAL STEPS

6. SHELF TRIM
7. LUGGAGE COMPARTMENT FLOOR CARPET ASSEMBLY
8. REAR END TRIM
9. REAR SIDE TRIM
10. SERVICE LID
11. LID

TETHER ANCHOR REMOVAL STEPS

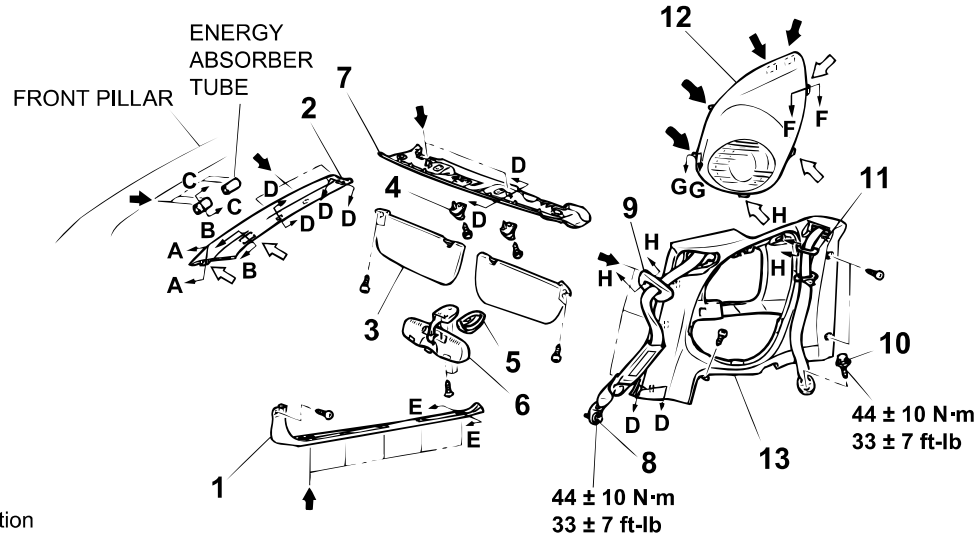
12. COVER
13. TETHER ANCHOR BRACKET
14. SPACER 10mm (0.4 inch)
15. SPACER 7mm (0.3 inch)
16. FIBER WASHER

TSB Revision

<ECLIPSE SPYDER>

Pre-removal and Post-installation Operation

- Rear Seat Cushion and Installation (Refer to P.52A-23.)



NOTE

- ➔: Clip position
- ↔: Claw position

<p>SECTION A – A</p> <p>WINDSHIELD INSTRUMENT PANEL FRONT PILLAR TRIM</p>	<p>SECTION B – B</p> <p>FRONT PILLAR TRIM CLAW</p>	<p>SECTION C – C</p> <p>FRONT PILLAR TRIM CLIP FRONT PILLAR E/A TUBE</p>	<p>SECTION D – D</p> <p>CLIP QUARTER TRIM LOWER FRONT PILLAR TRIM, FRONT ROOF RAIL TRIM</p>
<p>SECTION E – E</p> <p>FRONT SCUFF PLATE CLIP GROMMET</p>	<p>SECTION F – F</p> <p>QUARTER TRIM, LOWER SPEAKER GARNISH CLAW</p>	<p>SECTION G – G</p> <p>QUARTER TRIM, LOWER SPEAKER GARNISH CLIP</p>	<p>SECTION H – H</p> <p>SEAT BELT GUIDE CLAW QUARTER TRIM, LOWER</p>

AC003044AB

FRONT PILLAR TRIM AND FRONT ROOF RAIL TRIM REMOVAL STEPS

1. FRONT SCUFF PLATE
2. FRONT PILLAR TRIM
3. SUNVISOR
4. SUNVISOR HOLDER
5. INSIDE REAR VIEW MIRROR STAY COVER
6. INSIDE REAR VIEW MIRROR
7. FRONT ROOF RAIL TRIM

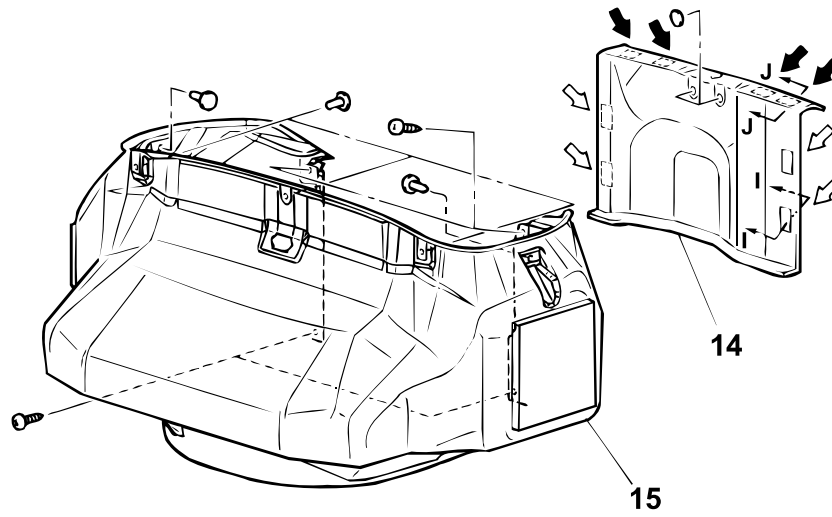
QUARTER TRIM REMOVAL STEPS

- DOOR INNER REAR OPENING WEATHERSTRIP (REFER TO GROUP 42 – DOOR INNER OPENING WEATHERSTRIP P.42-83.)
- REAR SEAT (REFER TO P.52A-23.)
- 8. FRONT OUTER SEAT BELT ANCHOR PLATE
- 9. SEAT BELT GUIDE <FRONT>
- 10. REAR OUTER SEAT BELT ANCHOR PLATE

TSB Revision

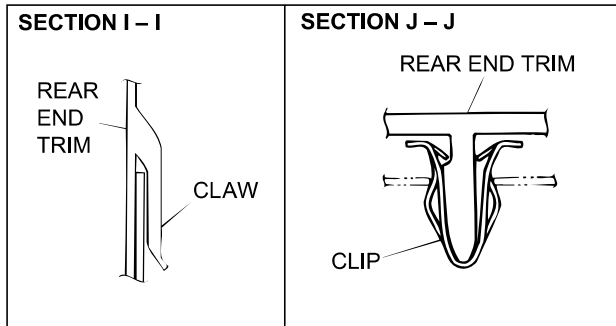
**QUARTER TRIM REMOVAL
STEPS (Continued)**

- 11. SEAT BELT GUIDE <REAR>
- 12. REAR SPEAKER GARNISH
- 13. QUARTER TRIM, LOWER



NOTE

- ➡: Clip position
- ↩: Claw position



- 14. REAR END TRIM
- 15. TRUNK COMPARTMENT TRIM

AC003045AB

HEADLINING

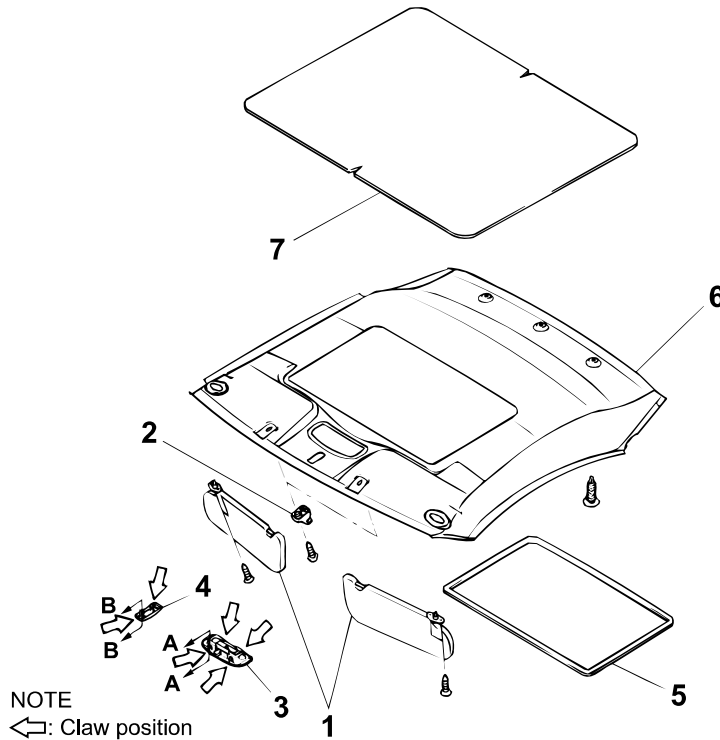
REMOVAL AND INSTALLATION

M1521001400069

<ECLIPSE>

Pre-removal and Post-installation Operation

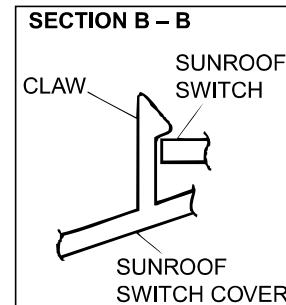
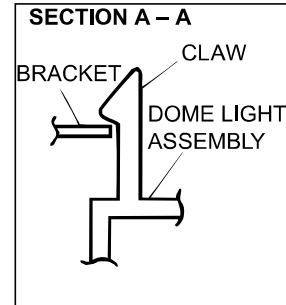
- Front Pillar Trim and Quarter Trim, Upper Removal and Installation (Refer to P.52A-10.)



NOTE
←: Claw position

REMOVAL STEPS

1. SUNVISOR ASSEMBLY
2. SUNVISOR HOLDER
3. DOME LIGHT ASSEMBLY
<VEHICLES WITHOUT SUNROOF>
4. SUNROOF SWITCH COVER
<VEHICLES WITH SUNROOF>



AC003036AB

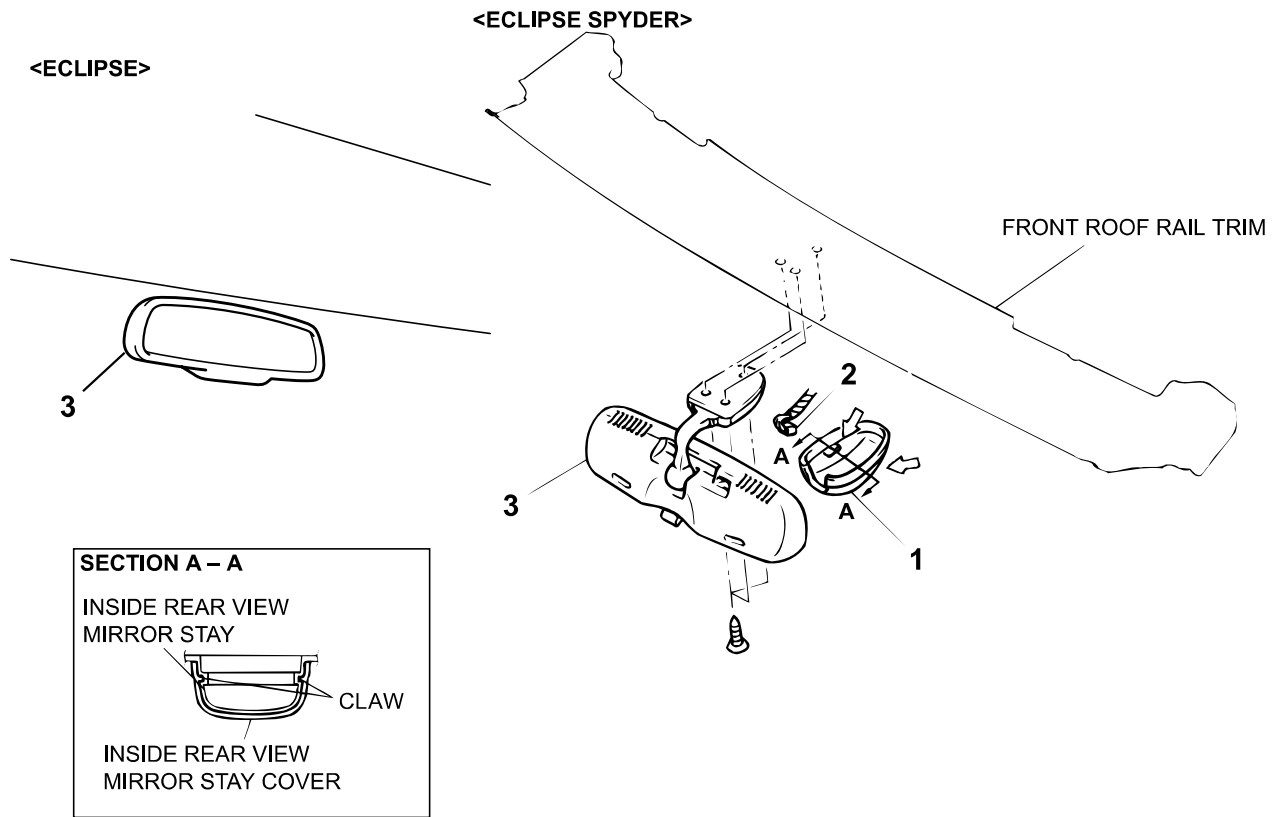
REMOVAL STEPS (Continued)

5. HEADLINING TRIM <VEHICLES WITH SUNROOF>
6. HEADLINING
7. ROOF PAD <VEHICLES WITHOUT SUNROOF>

INSIDE REAR VIEW MIRROR

REMOVAL AND INSTALLATION

M1521002700063



NOTE
←: Claw position

AC003275AB

- <<A>>
- REMOVAL <ECLIPSE>**
- COMPASS SENSOR
3. INSIDE REAR VIEW MIRROR

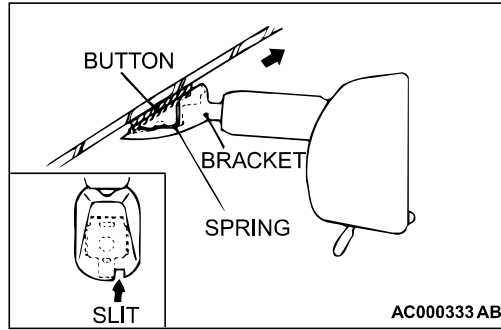
- REMOVAL STEPS <ECLIPSE SPYDER>**
1. INSIDE REAR VIEW MIRROR STAY COVER
 2. HARNESS CONNECTOR
 3. INSIDE REAR VIEW MIRROR

TSB Revision

REMOVAL SERVICE POINT**<<A>> INSIDE REAR VIEW MIRROR REMOVAL**

Insert a narrow flat-tip screwdriver into the slit in the inside rear view mirror in the direction of the arrow in the illustration.

NOTE: While the spring is pushed in, connection between the spring and the pawl of the button is released.



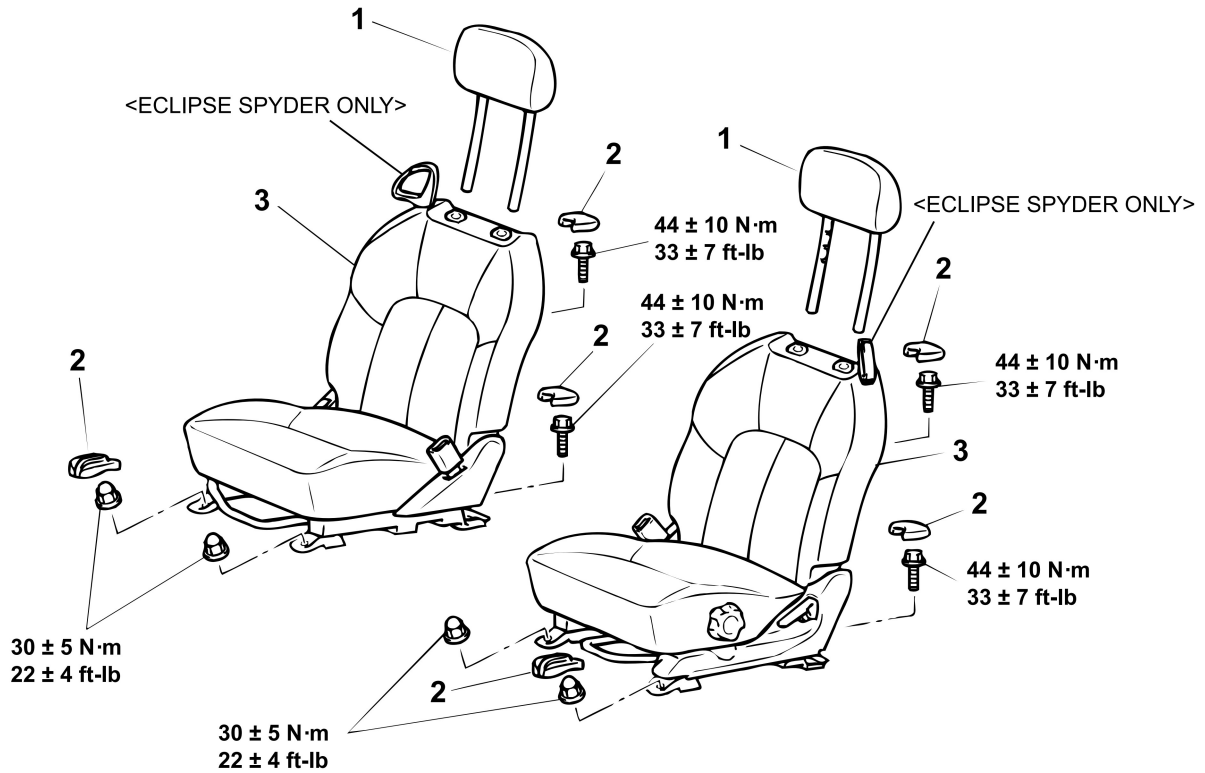
FRONT SEAT ASSEMBLY

REMOVAL AND INSTALLATION

M1522001300065

⚠ WARNING

Before removing a seat equipped with a side air bag module, refer to **GROUP 52B, SRS Service Precautions P.52B-15**.



AC003047AB

1. HEAD RESTRAINT

FRONT SEAT ASSEMBLY REMOVAL STEPS

- HARNESS CONNECTOR
- 2. SEAT ANCHOR COVER
- >>A<< 3. FRONT SEAT ASSEMBLY

INSTALLATION SERVICE POINT

>>A<< FRONT SEAT ASSEMBLY INSTALLATION

First install all of the front seat assembly mounting nuts and bolts, and then tighten them to the specified torque.

TSB Revision

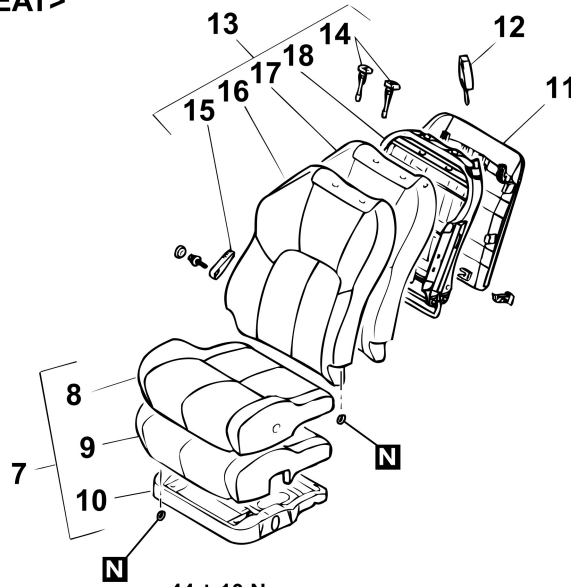
DISASSEMBLY AND ASSEMBLY

M1522001500081

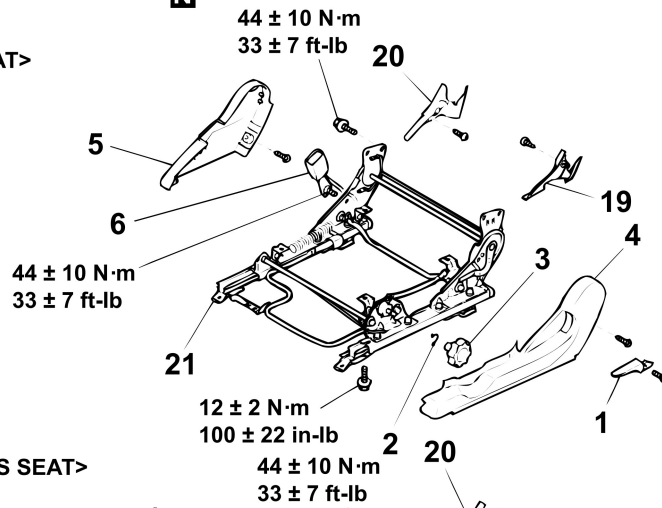
⚠ WARNING

Do not disassemble a front seatback assembly with built-in side air bag module.

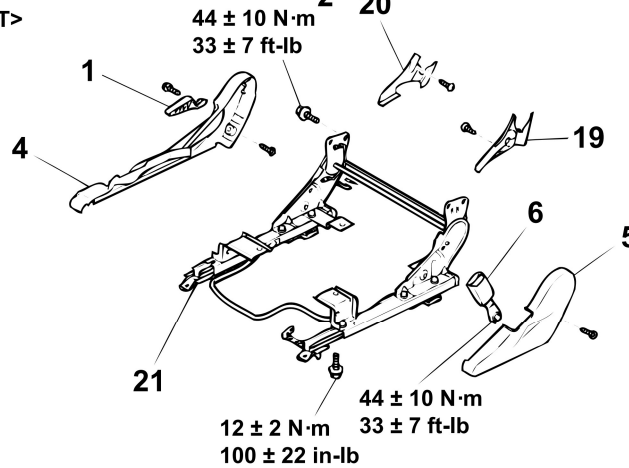
<WITHOUT POWER SEAT>



<DRIVER'S SEAT>



<PASSENGER'S SEAT>



AC003048AB

TSB Revision

DISASSEMBLY STEPS

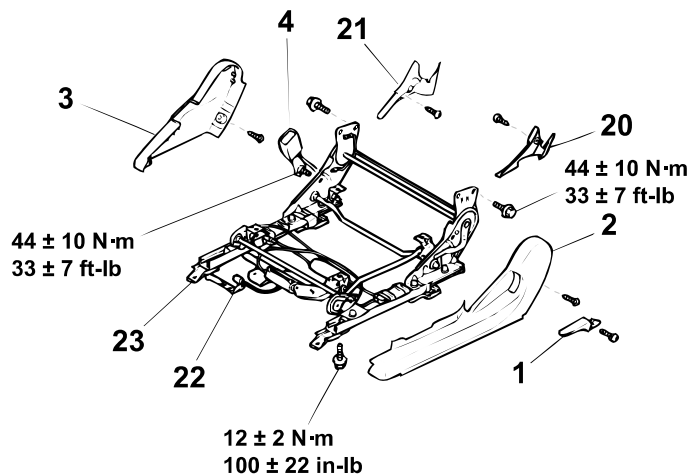
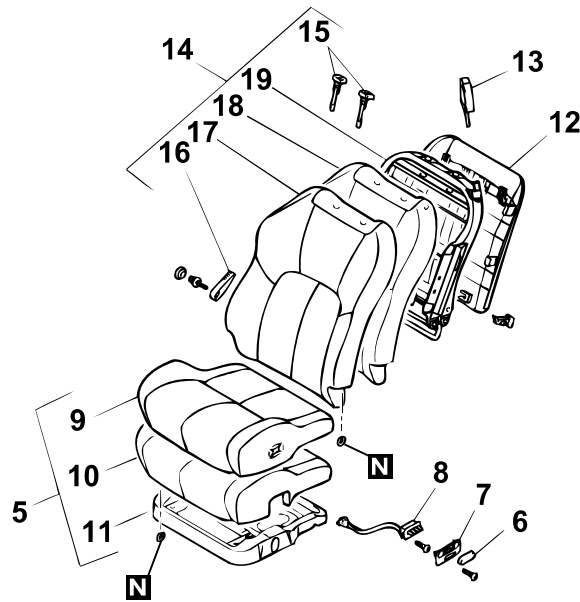
1. RECLINING ADJUSTER KNOB
2. CLIP <DRIVER'S SEAT>
3. HEIGHT ADJUSTER KNOB
<DRIVER'S SEAT>
4. FRONT SEAT SHIELD COVER
5. FRONT SEAT SHIELD COVER
6. INNER SEAT BELT
7. FRONT SEAT CUSHION ASSEMBLY
8. FRONT SEAT CUSHION COVER
9. FRONT SEAT CUSHION PAD
10. FRONT SEAT CUSHION FRAME
11. FRONT SEATBACK PANEL
12. SEAT BELTGUIDE <ECLIPSE
SPYDER ONLY>

<<A>>

DISASSEMBLY STEPS (Continued)

13. FRONT SEATBACK ASSEMBLY
14. HEADRESTRAINT GUIDE
15. LUMBAR SUPPORT KNOB
<DRIVER'S SEAT>
16. FRONT SEATBACK COVER
17. FRONT SEATBACK PAD
18. FRONT SEATBACK FRAME
<VEHICLES WITHOUT SRS SIDE
AIR BAG>
19. FRONT SEAT INNER COVER
20. FRONT SEAT INNER COVER
21. FRONT SEAT ADJUSTER
ASSEMBLY

<POWER SEAT>



AC003049AB

DISASSEMBLY STEPS

1. RECLINING ADJUSTER KNOB
2. FRONT SEAT SHIELD COVER
3. FRONT SEAT SHIELD COVER
4. INNER SEAT BELT
5. FRONT SEAT CUSHION ASSEMBLY
6. FRONT SEAT SLIDE ADJUSTER LEVER
7. GARNISH
8. POWER SEAT SWITCH
9. FRONT SEAT CUSHION COVER
10. FRONT SEAT CUSHION PAD
11. FRONT SEAT CUSHION FRAME
12. FRONT SEATBACK PANEL
13. SEAT BELT GUIDE <ECLIPSE SPYDER ONLY>

DISASSEMBLY STEPS (Continued)

14. FRONT SEATBACK ASSEMBLY
15. HEADRESTRAINT GUIDE
16. LUMBAR SUPPORT KNOB
17. FRONT SEATBACK COVER
18. FRONT SEATBACK PAD
19. FRONT SEATBACK FRAME
<VEHICLES WITHOUT SRS SIDE AIR BAG>
20. FRONT SEAT INNER COVER
21. FRONT SEAT INNER COVER
22. POWER SEAT HARNESS
23. POWER SEAT ADJUSTER ASSEMBLY

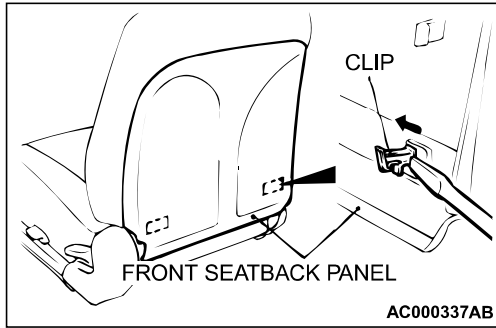
<<A>>

TSB Revision

DISASSEMBLY SERVICE POINT

<<A>> FRONT SEATBACK PANEL REMOVAL

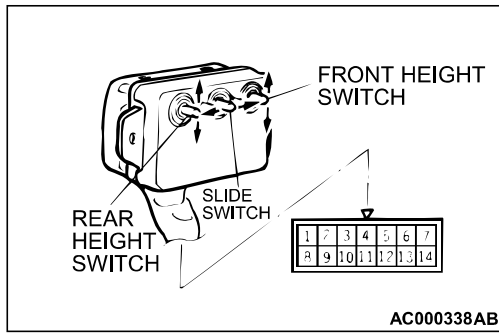
1. Using a screwdriver or similar tool, push in the clip of the front seatback panel lower portion to remove it.
2. Pull down the front seatback panel to remove it.



INSPECTION

M1522001600033

POWER SEAT SWITCH CONTINUITY CHECK

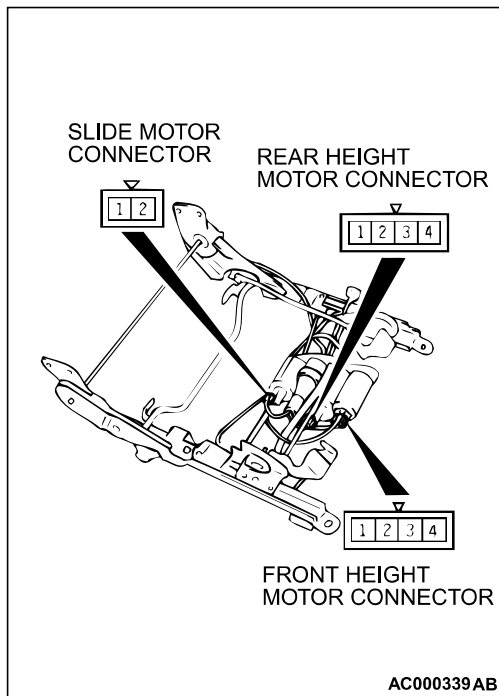


SWITCH POSITION		TESTER CONNECTION	SPECIFIED CONDITION
Slide switch	Forward	2-3, 4-14	Continuity
	Backward	1-4, 3-14	Continuity
Front height switch	Up	9-10, 11-14	Continuity
	Down	8-11, 10-14	Continuity
Rear height switch	Up	6-12, 7-14	Continuity
	Down	5-7, 12-14	Continuity
All switches	OFF	-	No continuity

POWER SEAT MOTOR OPERATION CHECK

Inspect the operation of each motor according to the following procedures.

1. Disconnect the connector for each motor.
2. When the battery is connected directly to the motor terminals, check if the motors run smoothly, and check if each setting mechanism runs in the direction shown in the table below for each motor.
 - (1) Connect the battery power source to the terminal 3 and ground the terminal 4 for the front/rear height down side and connect the battery power source to the terminal 4 and ground the terminal 3 for the front/rear height up side.
 - (2) Connect the battery power source to the terminal 1 and ground the terminal 2 for the slide backward side and connect the battery power source to the terminal 2 and ground the terminal 1 for the slide forward side.
3. If there is an abnormality, replace the power seat adjuster assembly.



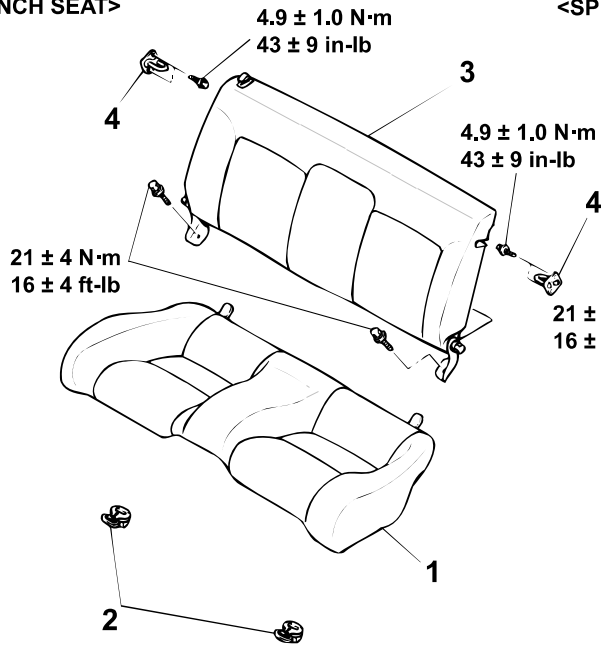
REAR SEAT ASSEMBLY

REMOVAL AND INSTALLATION

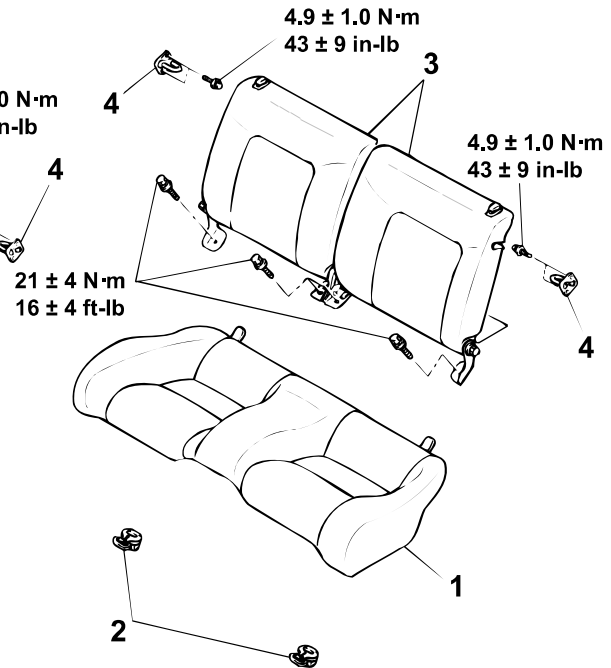
M1522001800060

<ECLIPSE>

<BENCH SEAT>



<SPLIT SEAT>



AC003040AB

<<A>>

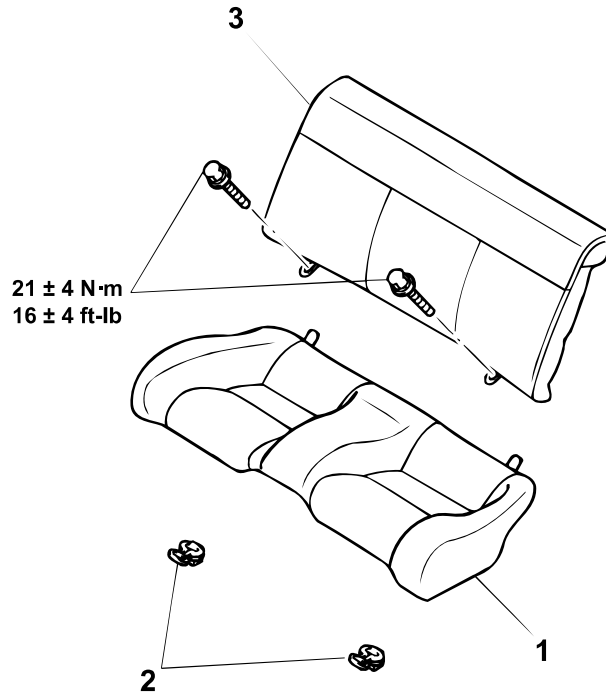
REMOVAL STEPS

1. REAR SEAT CUSHION
2. REAR SEAT STOPPER
3. REAR SEATBACK

STRIKER REMOVAL STEPS

- QUARTER TRIM, LOWER (REFER TO [P.52A-10.](#))
- 4. STRIKER

<ECLIPSE SPYDER>



AC003050AB

<<A>>

REMOVAL STEPS

1. REAR SEAT CUSHION

REMOVAL STEPS (Continued)

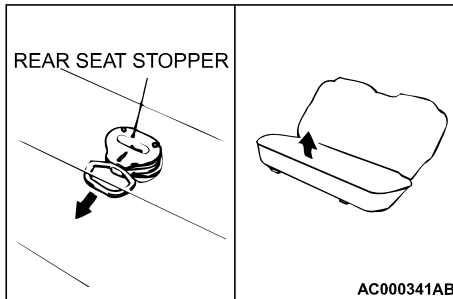
2. REAR SEAT STOPPER
3. REAR SEATBACK

>>A<<

REMOVAL SERVICE POINT

<<A>> REAR SEAT CUSHION REMOVAL

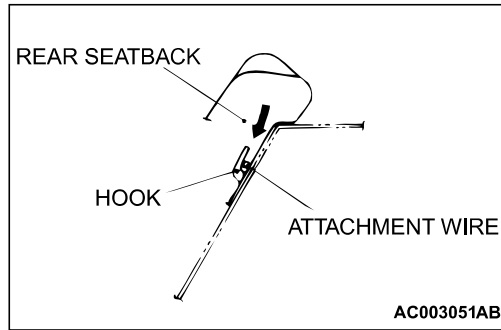
While pulling the rear seat stopper pulled, lift up the seat cushion to remove it.



INSTALLATION SERVICE POINT

>>A<< REAR SEATBACK INSTALLATION

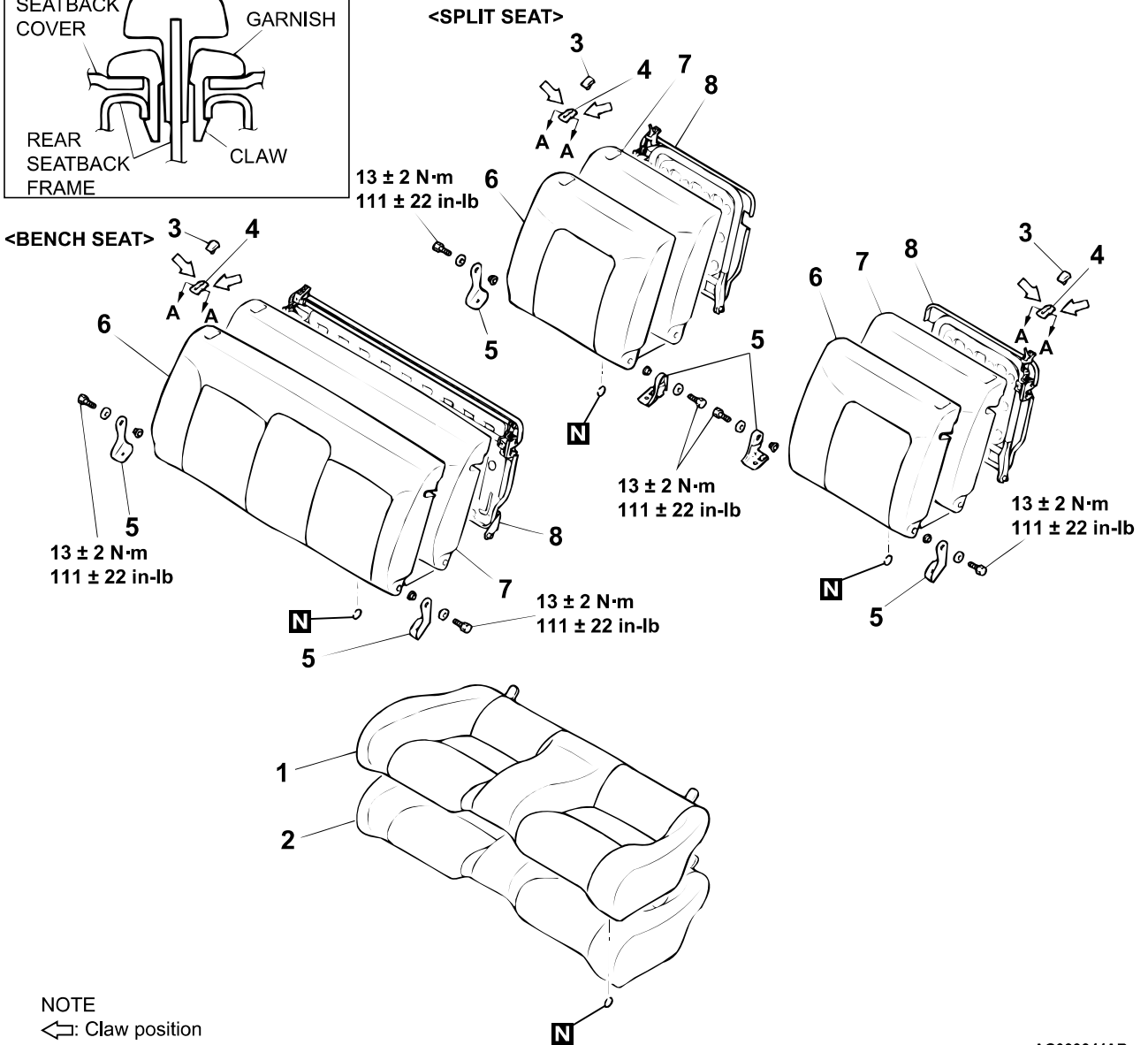
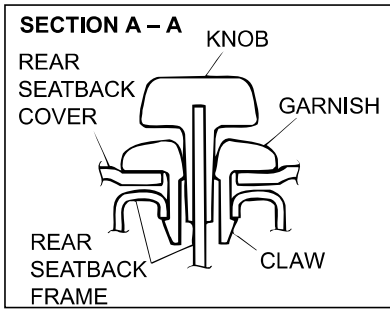
Push the rear seatback in the direction indicated in the illustration; then securely attach the attachment wire to the body side hook and install the rear seatback.



DISASSEMBLY AND ASSEMBLY

M1522002000090

<ECLIPSE>



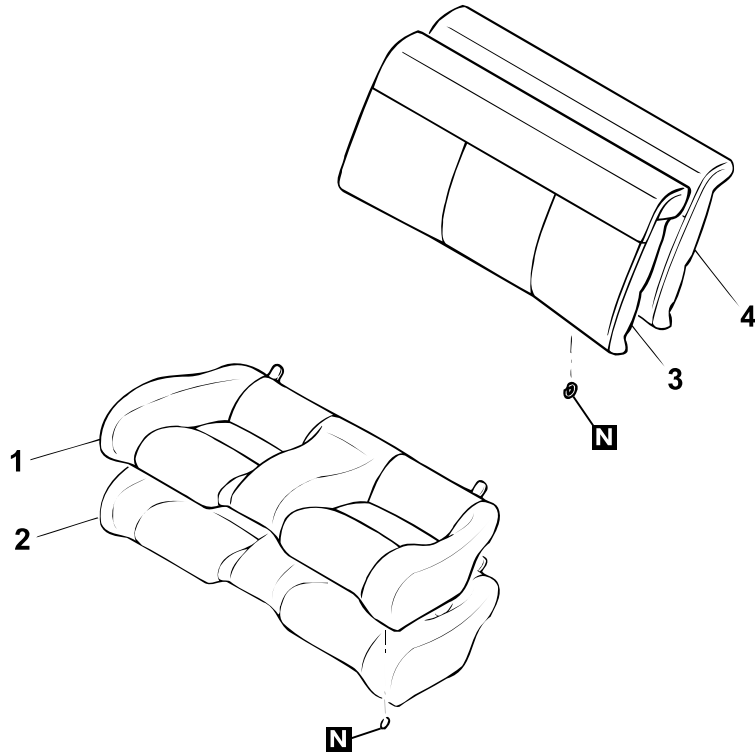
AC003041AB

- DISASSEMBLY STEPS**
1. REAR SEAT CUSHION COVER
 2. REAR SEAT CUSHION PAD
 3. KNOB
 4. GARNISH

- DISASSEMBLY STEPS (Continued)**
5. REAR SEATBACK HINGE
 6. REAR SEATBACK COVER
 7. REAR SEATBACK PAD
 8. REAR SEATBACK FRAME

TSB Revision

<ECLIPSE SPYDER>



- DISASSEMBLY STEPS**
1. REAR SEAT CUSHION COVER
 2. REAR SEAT CUSHION PAD

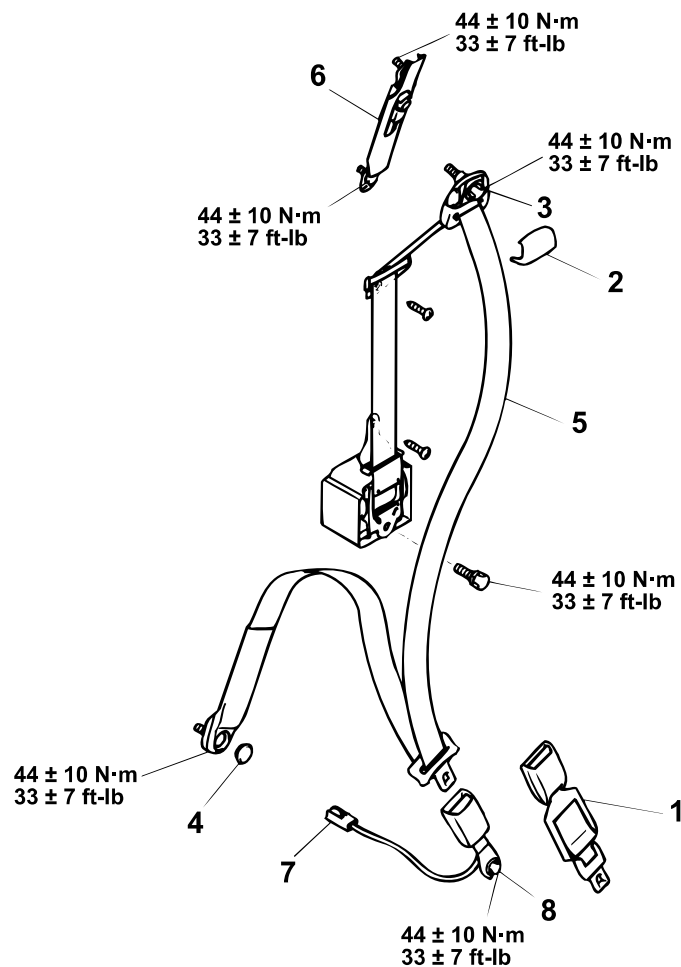
- AC003052AB
- DISASSEMBLY STEPS (Continued)**
3. REAR SEATBACK COVER
 4. REAR SEATBACK PAD

FRONT SEAT BELT

REMOVAL AND INSTALLATION

M1523001300068

<ECLIPSE>



AC000343AB

1. EXTENDER SEAT BELT ASSEMBLY*
OUTER SEAT BELT REMOVAL STEPS

2. SEAT BELT SASH GUIDE COVER
3. SEAT BELT ANCHOR PLATE
4. ANCHOR PLATE COVER CAP
- QUARTER TRIM, LOWER (REFER TO [P.52A-10.](#))
5. OUTER SEAT BELT
- QUARTER TRIM, UPPER (REFER TO [P.52A-10.](#))

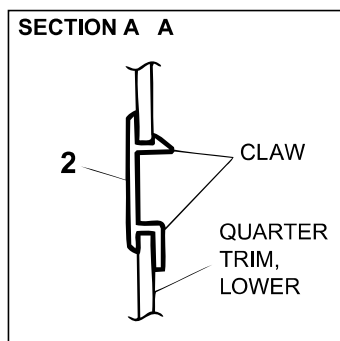
>>A<< 6. ADJUSTABLE SEAT BELT ANCHOR

INNER SEAT BELT REMOVAL STEPS

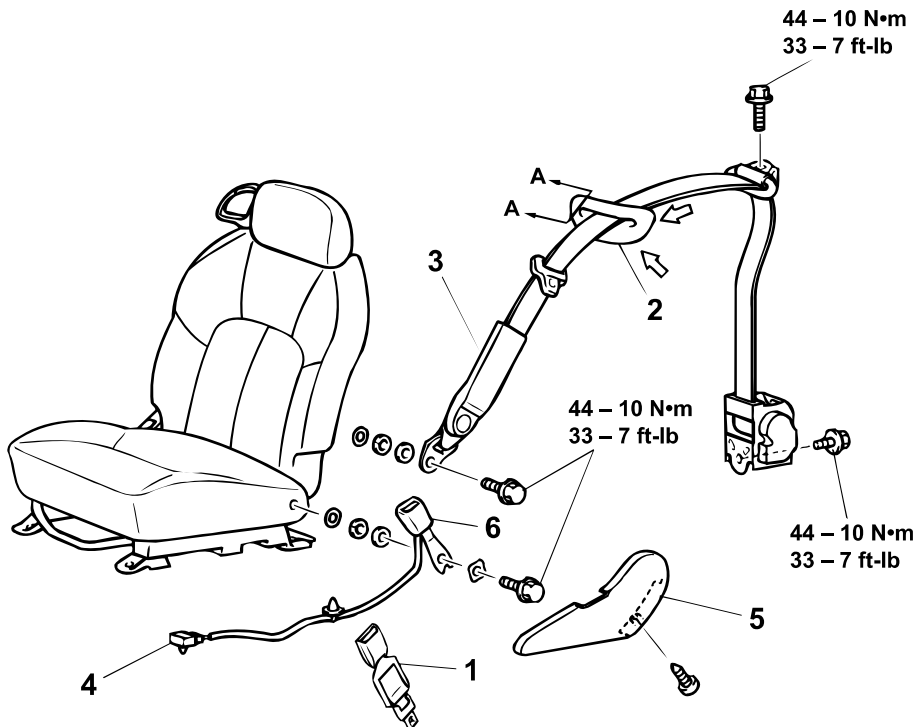
- FRONT SEAT ASSEMBLY (REFER TO [P.52A-17.](#))
- 7. HARNESS CONNECTOR (DRIVER'S SIDE)
- FRONT SEAT SHIELD COVER (REFER TO [P.52A-18.](#))
- 8. INNER SEAT BELT

*NOTE: *Equipped if necessary (for particular vehicle usage)*

<ECLIPSE SPYDER>



NOTE
 ⇐: Claw position



AC003053AB

1. EXTENDER SEAT BELT ASSEMBLY*
OUTER SEAT BELT REMOVAL STEPS
2. SEAT BELT GUIDE
 - QUARTER TRIM, LOWER (REFER TO P.52A-10.)
 3. OUTER SEAT BELT
 5. OUTER SEAT BELT

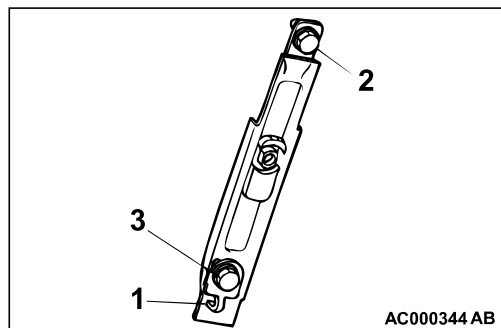
INNER SEAT BELT REMOVAL STEPS

- FRONT SEAT ASSEMBLY (REFER TO P.52A-17.)
- 4. HARNESS CONNECTOR (DRIVER'S SIDE)
- 5. FRONT SEAT SHIELD COVER (REFER TO P.52A-18.)
- 6. INNER SEAT BELT

NOTE: *Equipped if necessary (for particular vehicle usage)

INSTALLATION SERVICE POINT

>>A< ADJUSTABLE SEAT BELT ANCHOR INSTALLATION
 Observe the order shown.



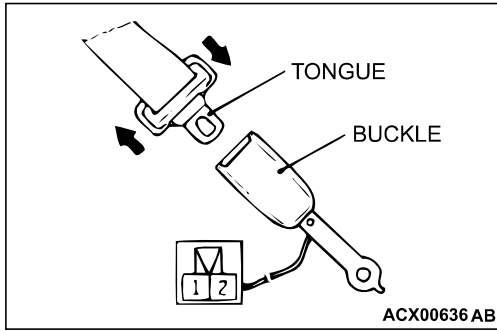
AC000344 AB

TSB Revision

INSPECTION

M1523001400065

SEAT BELT BUCKLE SWITCH CONTINUITY CHECK



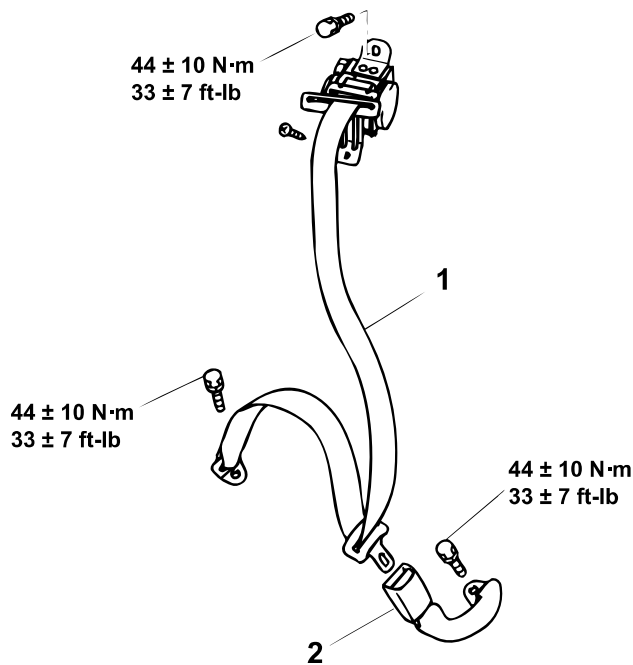
ITEMS	TESTER CONNECTION	SPECIFIED CONDITION
Fastened seat belt	–	No continuity
Unfastened seat belt	1 – 2	Continuity

REAR SEAT BELT

REMOVAL AND INSTALLATION

M1523001600069

<ECLIPSE>



AC003042AB

OUTER SEAT BELT REMOVAL STEPS

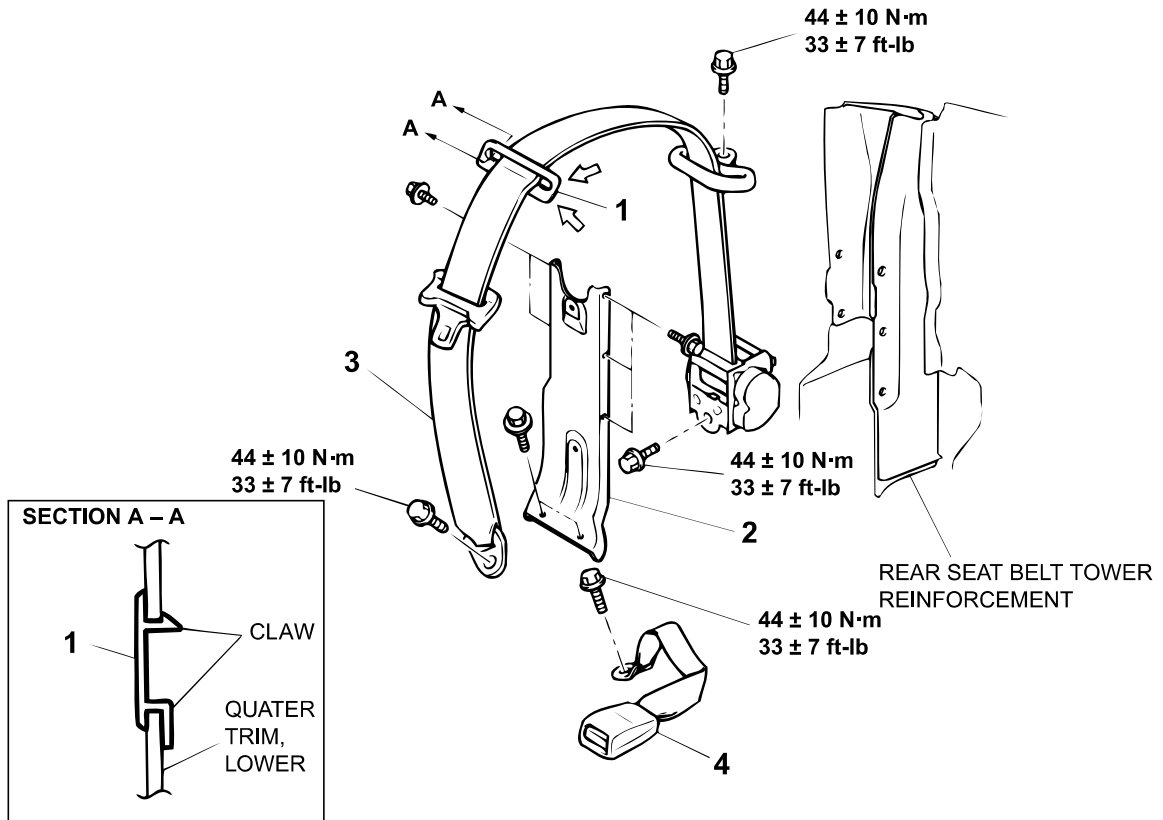
- REAR SEAT CUSHION (REFER TO P.52A-23.)
 - REAR SEATBACK (REFER TO P.52A-23.)
 - QUARTER TRIM, LOWER (REFER TO P.52A-10.)
1. OUTER SEAT BELT

INNER SEAT BELT REMOVAL STEPS

- REAR SEAT CUSHION (REFER TO P.52A-23.)
2. INNER SEAT BELT

TSB Revision

<ECLIPSE SPYDER>



NOTE
 ⇐: Claw position

AC003054AB

OUTER SEAT BELT REMOVAL STEPS

- REAR SEAT CUSHION (REFER TO [P.52A-23.](#))
- REAR SEATBACK (REFER TO [P.52A-23.](#))
- 1. SEAT BELT GUIDE
- QUARTER TRIM, LOWER (REFER TO [P.52A-10.](#))

OUTER SEAT BELT REMOVAL STEPS (Continued)

2. OUTER SEAT BELT
 3. REAR SEAT BELT TOWER, FRONT
- INNER SEAT BELT REMOVAL STEPS**
- REAR SEAT CUSHION (REFER TO [P.52A-23.](#))
 - 4. INNER SEAT BELT

SPECIFICATIONS**FASTENER TIGHTENING SPECIFICATIONS**

M1521004100067

ITEM	SPECIFICATION
Adjustable seat belt anchor bolt	44 ± 10 N·m (33 ± 7 ft-lb)
Catch bolt	12 ± 2 N·m (100 ± 22 in-lb)
Front inner seat belt bolt	44 ± 10 N·m (33 ± 7 ft-lb)
Front outer seat belt anchor plate bolt	44 ± 10 N·m (33 ± 7 ft-lb)
Front outer seat belt bolt	44 ± 10 N·m (33 ± 7 ft-lb)
Front seat bolt	44 ± 10 N·m (33 ± 7 ft-lb)
Front seat nut	30 ± 5 N·m (22 ± 4 ft-lb)
Front seat reclining adjuster bolt	44 ± 10 N·m (33 ± 7 ft-lb)
Rear inner seat belt bolt	44 ± 10 N·m (33 ± 7 ft-lb)
Rear outer seat belt anchor plate bolt	44 ± 10 N·m (33 ± 7 ft-lb)
Rear outer seat belt bolt	44 ± 10 N·m (33 ± 7 ft-lb)
Rear seatback bolt	21 ± 4 N·m (16 ± 4 ft-lb)
Rear seatback hinge bolt	13 ± 2 N·m (111 ± 22 in-lb)
Striker bolt	4.9 ± 1.0 N·m (44 ± 8 in-lb)
Tether anchor bolt	22 ± 4 N·m (16 ± 3 ft-lb)

TSB Revision
