

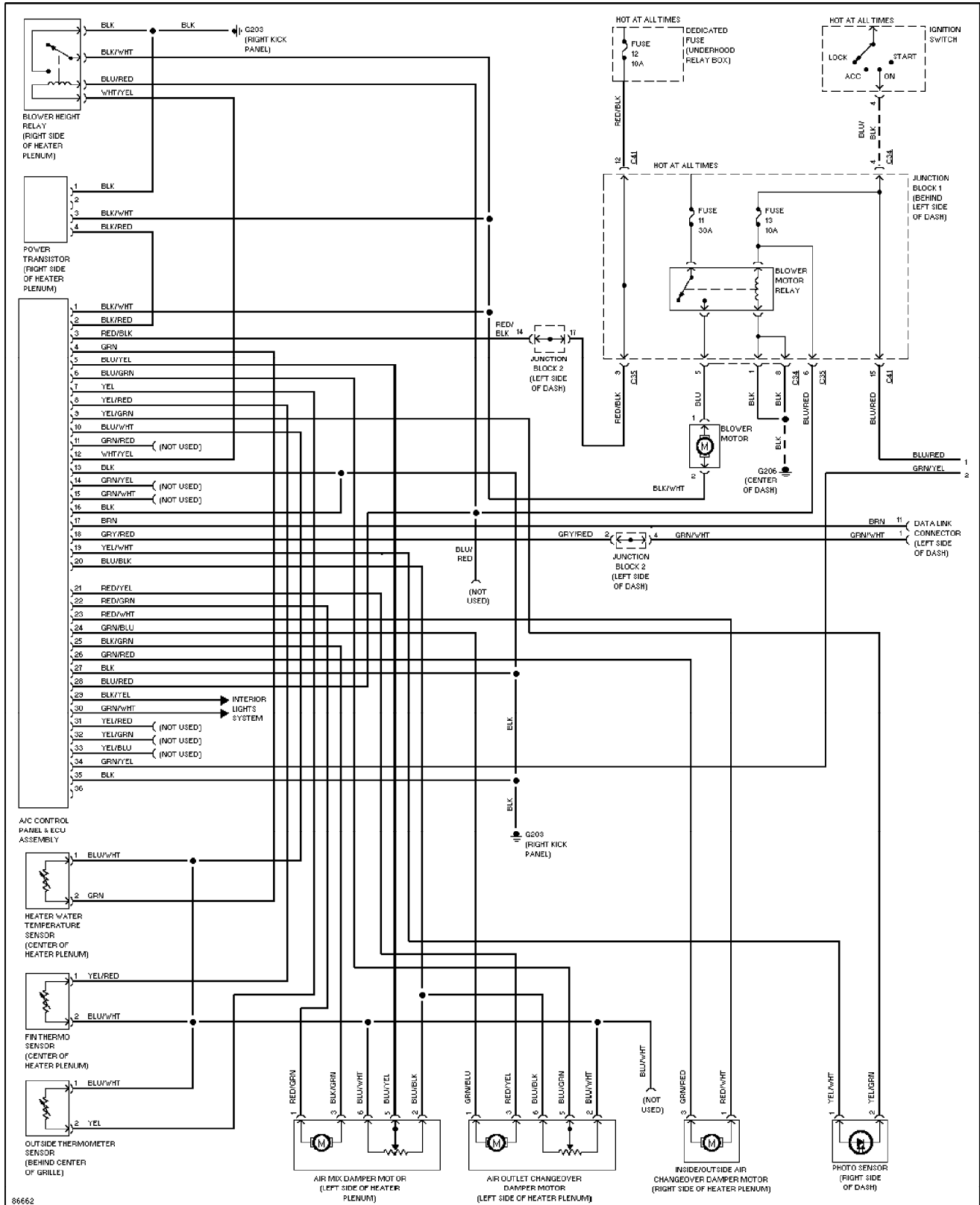
# SYSTEM WIRING DIAGRAMS

## A/C Circuit, Auto A/C (1 of 2)

### 1998 Mitsubishi Galant

For x

Copyright © 1998 Mitchell Repair Information Company, LLC  
 Monday, November 01, 2004 12:02PM



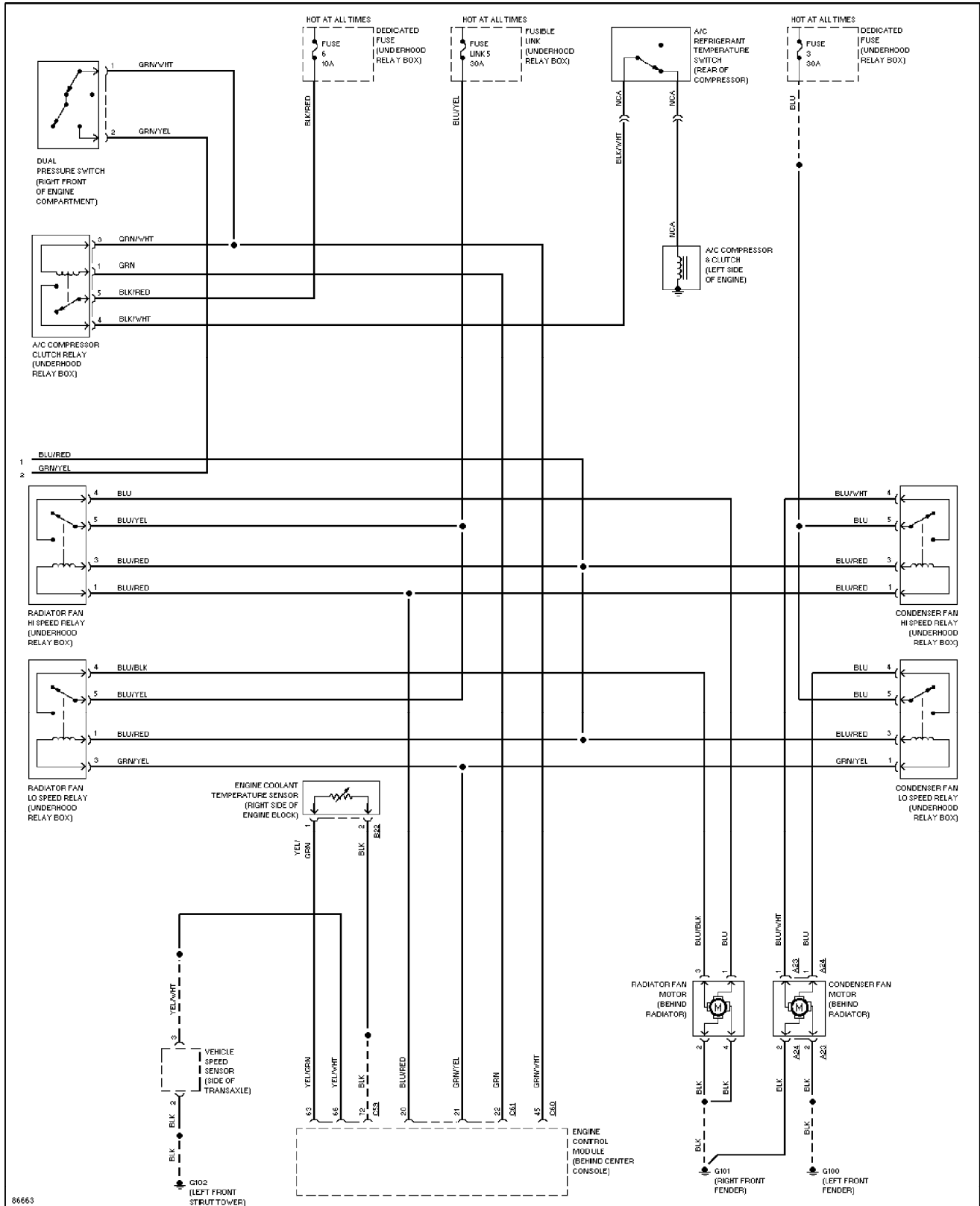
# SYSTEM WIRING DIAGRAMS

## A/C Circuit, Auto A/C (2 of 2) (p. 2)

1998 Mitsubishi Galant

For x

Copyright © 1998 Mitchell Repair Information Company, LLC  
Monday, November 01, 2004 12:02PM



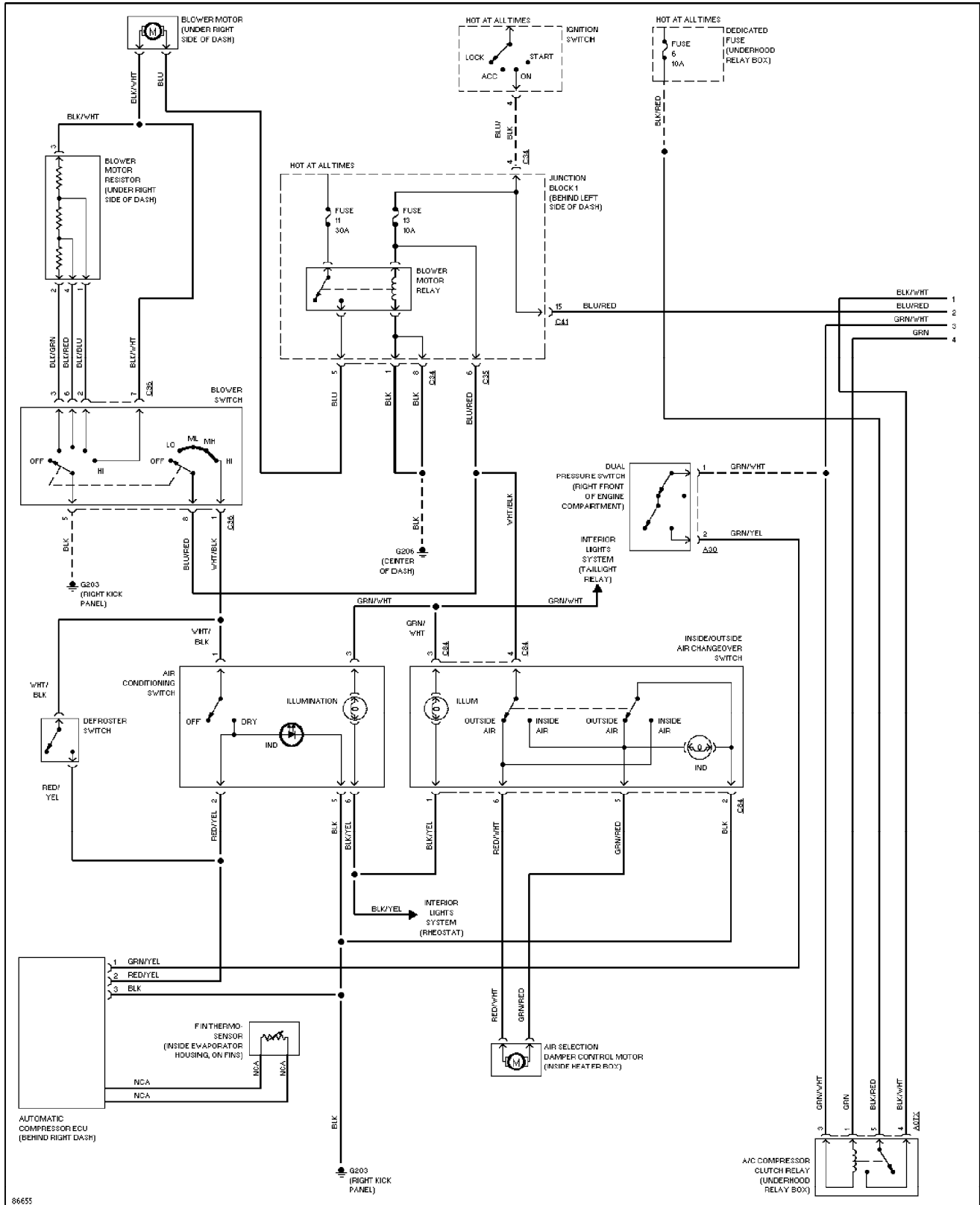
# SYSTEM WIRING DIAGRAMS

## A/C Circuit, Manual A/C (1 of 2) (p. 3)

1998 Mitsubishi Galant

For x

Copyright © 1998 Mitchell Repair Information Company, LLC  
Monday, November 01, 2004 12:02PM



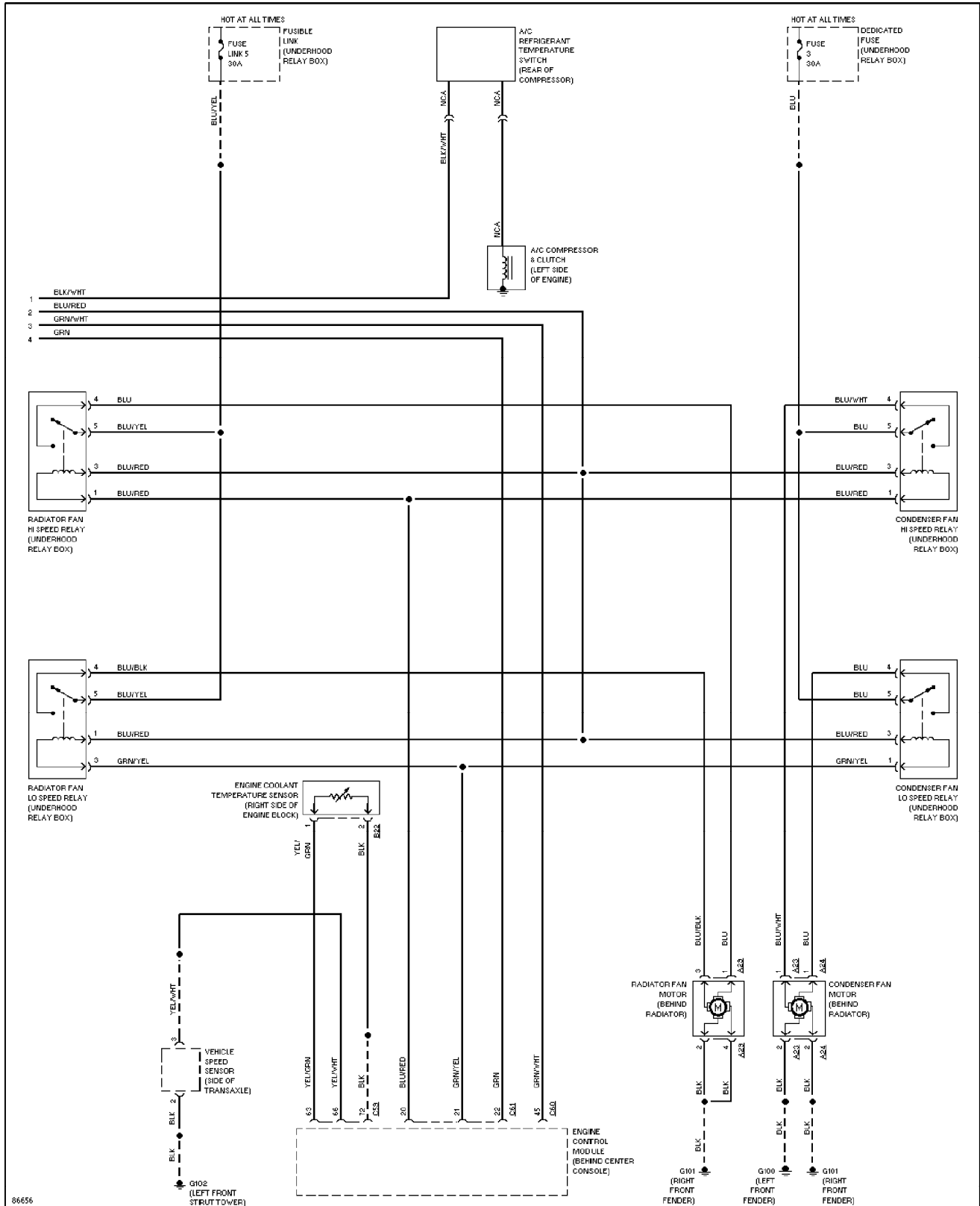
# SYSTEM WIRING DIAGRAMS

## A/C Circuit, Manual A/C (2 of 2) (p. 4)

1998 Mitsubishi Galant

For x

Copyright © 1998 Mitchell Repair Information Company, LLC  
Monday, November 01, 2004 12:02PM



# SYSTEM WIRING DIAGRAMS

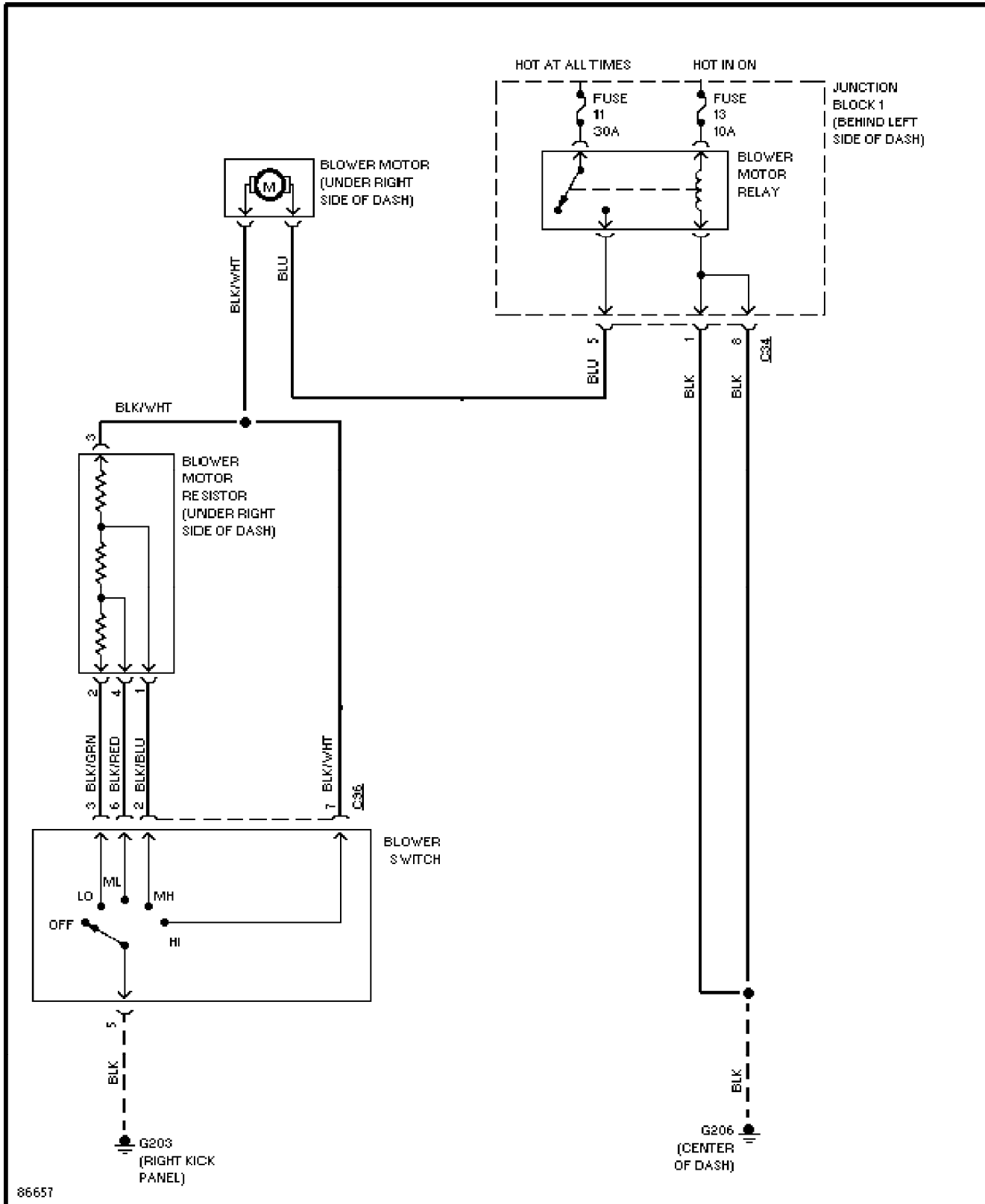
## Heater Circuit (p. 5)

1998 Mitsubishi Galant

For x

Copyright © 1998 Mitchell Repair Information Company, LLC

Monday, November 01, 2004 12:02PM



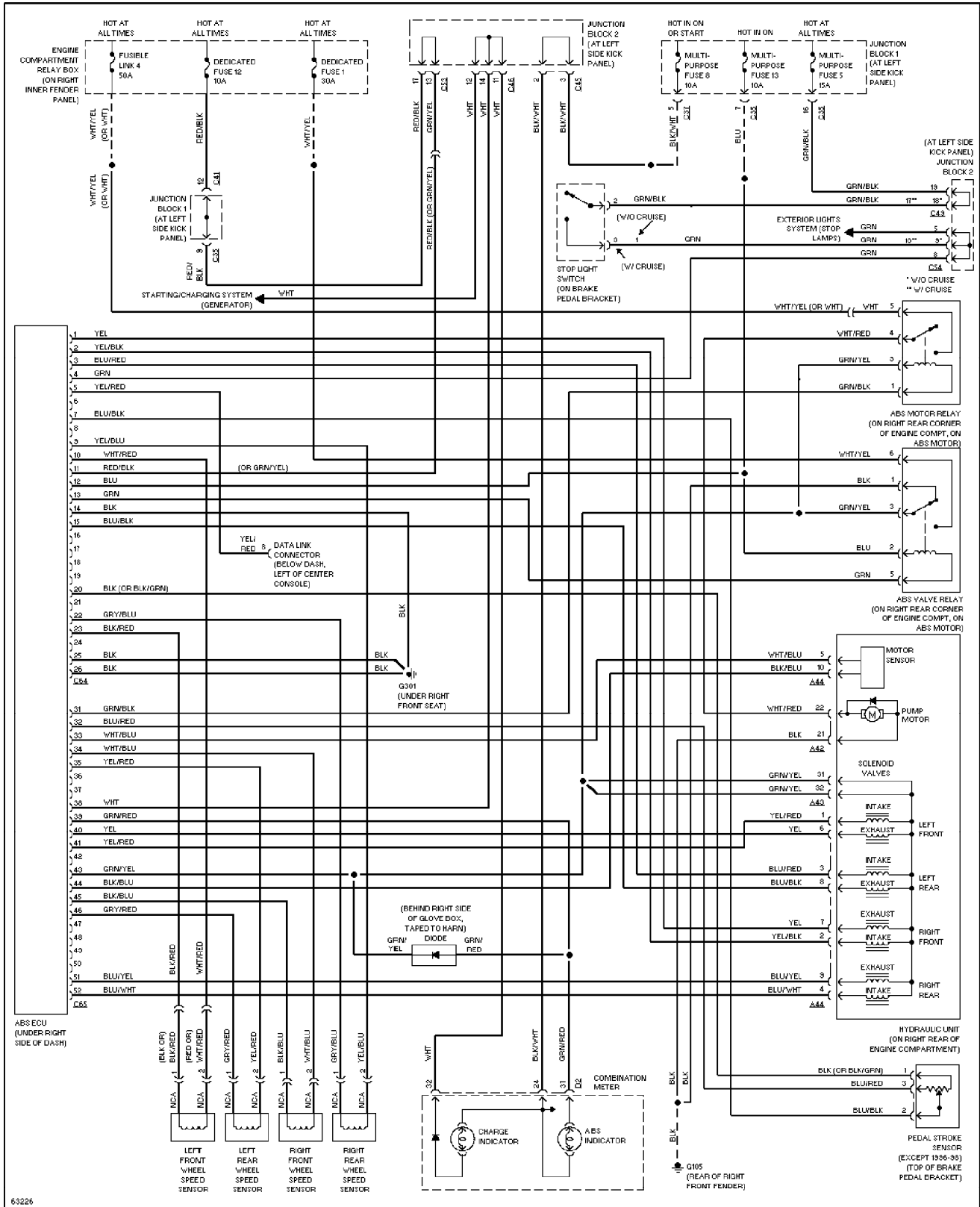
# SYSTEM WIRING DIAGRAMS

## Anti-lock Brake Circuits (p. 6)

1998 Mitsubishi Galant

For x

Copyright © 1998 Mitchell Repair Information Company, LLC  
Monday, November 01, 2004 12:02PM



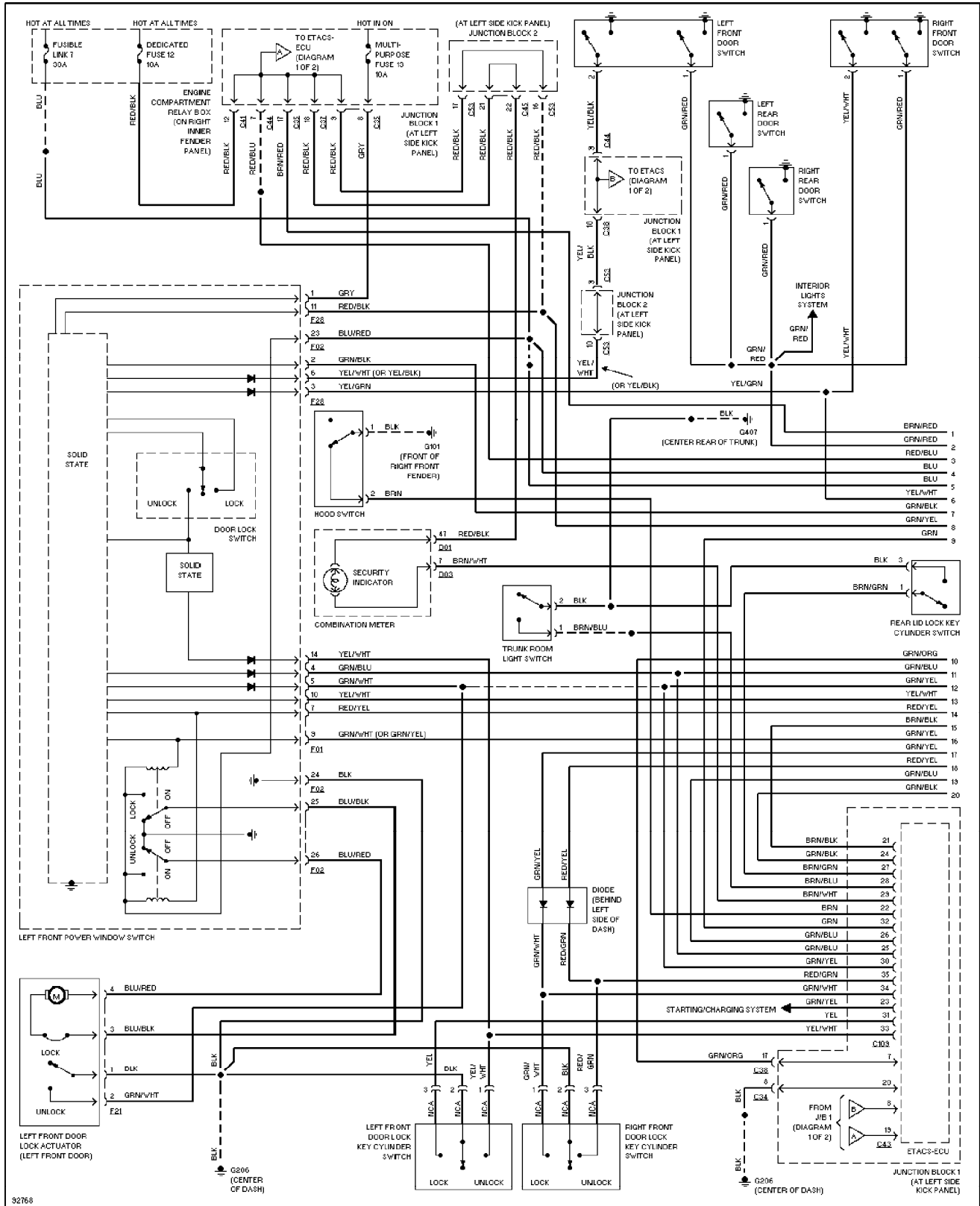
# SYSTEM WIRING DIAGRAMS

## Anti-theft Circuit (1 of 2) (p. 7)

1998 Mitsubishi Galant

For x

Copyright © 1998 Mitchell Repair Information Company, LLC  
Monday, November 01, 2004 12:02PM



# SYSTEM WIRING DIAGRAMS

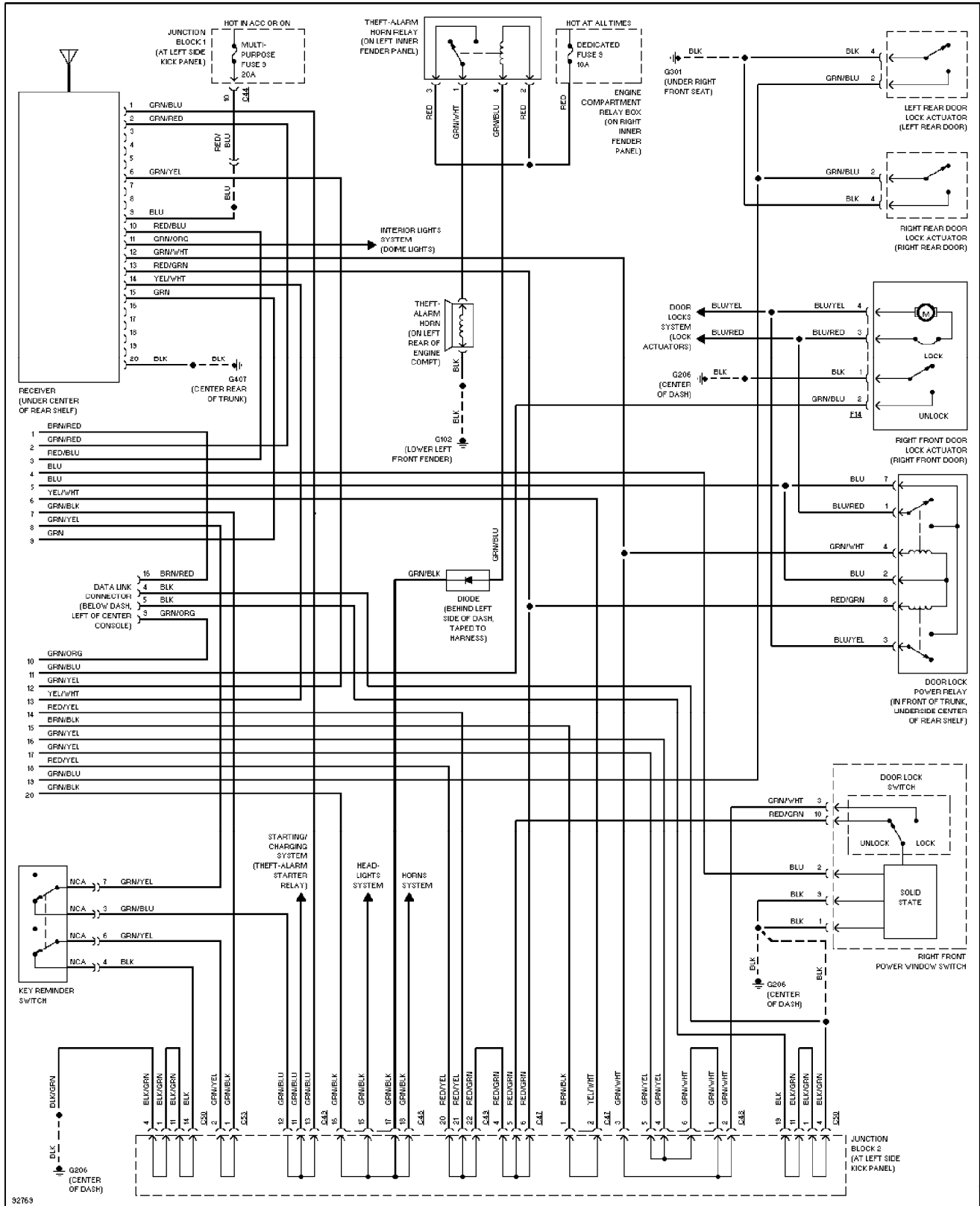
## Anti-theft Circuit (2 of 2) (p. 8)

1998 Mitsubishi Galant

For x

Copyright © 1998 Mitchell Repair Information Company, LLC

Monday, November 01, 2004 12:02PM





# SYSTEM WIRING DIAGRAMS

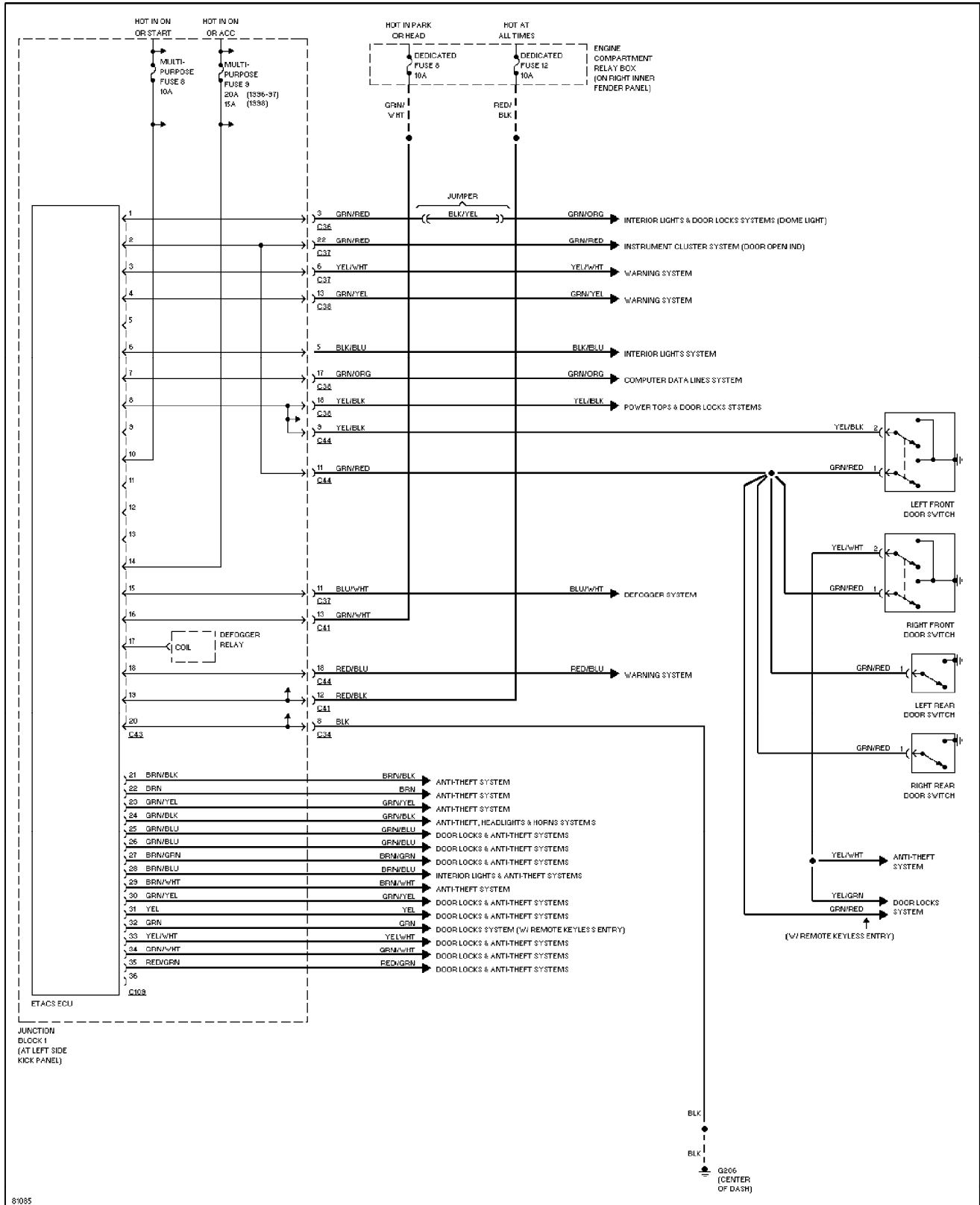
## Body Computer Circuits (p. 9)

1998 Mitsubishi Galant

For x

Copyright © 1998 Mitchell Repair Information Company, LLC

Monday, November 01, 2004 12:02PM



# SYSTEM WIRING DIAGRAMS

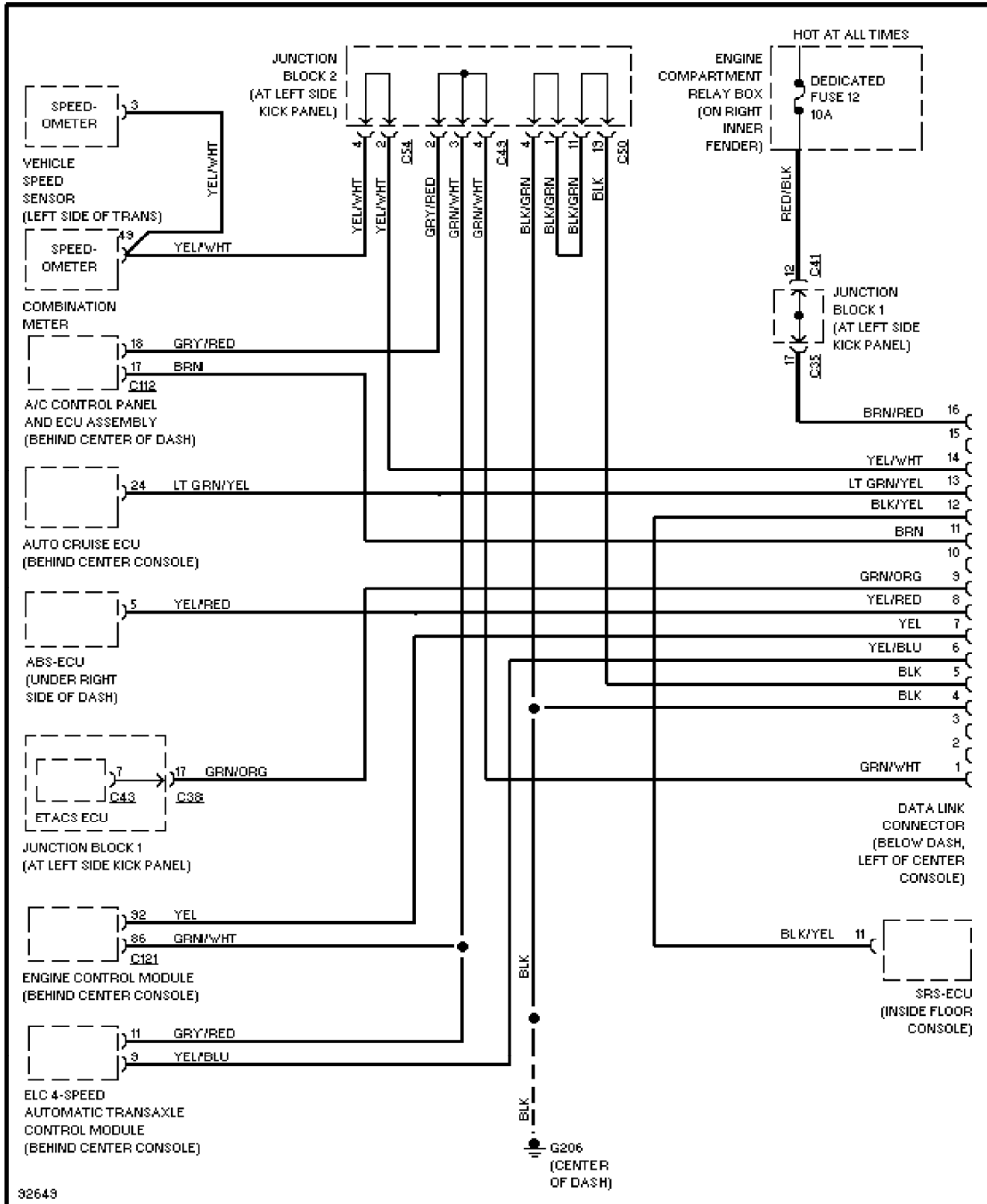
## Computer Data Lines (p. 10)

1998 Mitsubishi Galant

For x

Copyright © 1998 Mitchell Repair Information Company, LLC

Monday, November 01, 2004 12:02PM



# SYSTEM WIRING DIAGRAMS

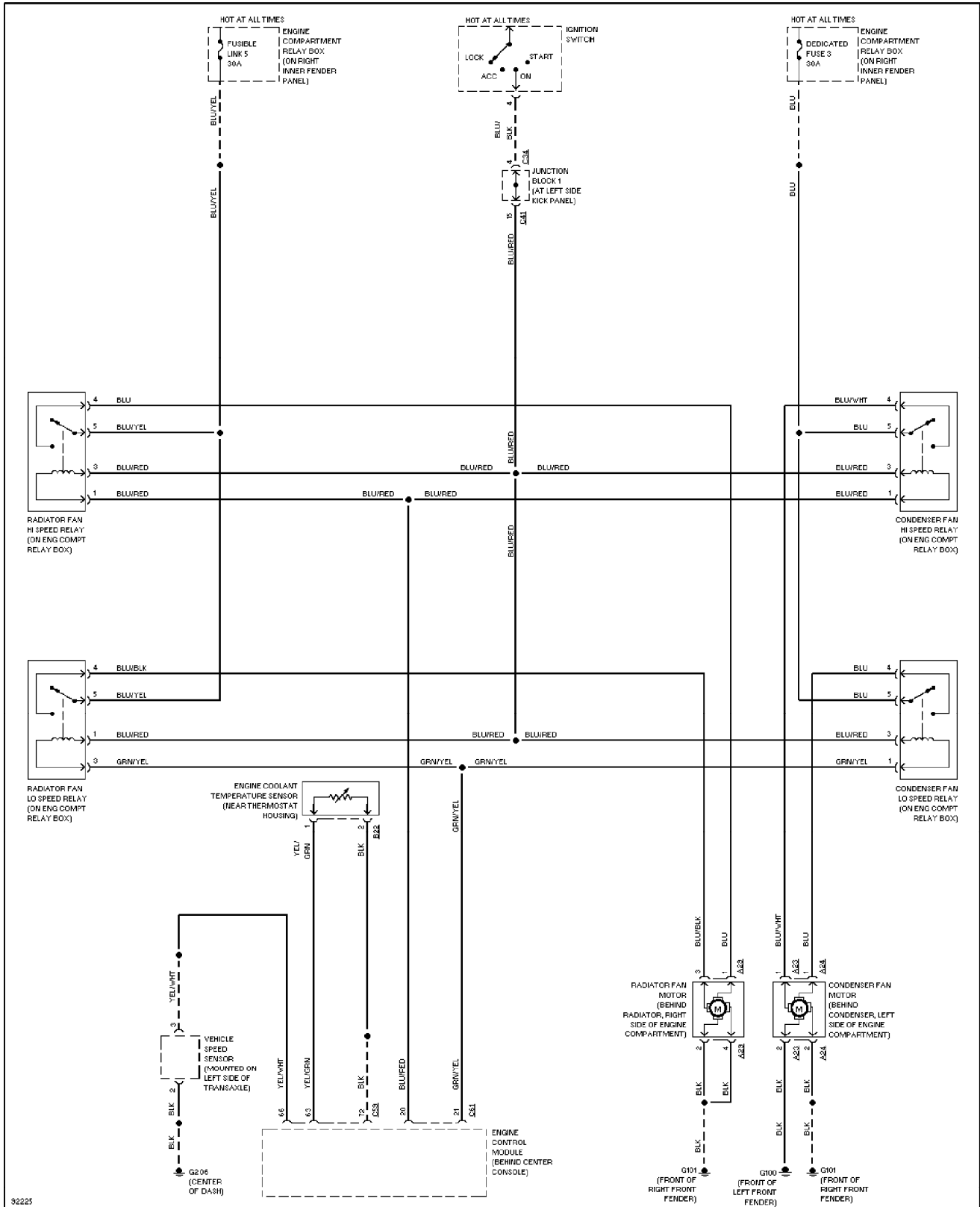
## Cooling Fan Circuit (p. 11)

1998 Mitsubishi Galant

For x

Copyright © 1998 Mitchell Repair Information Company, LLC

Monday, November 01, 2004 12:02PM



# SYSTEM WIRING DIAGRAMS

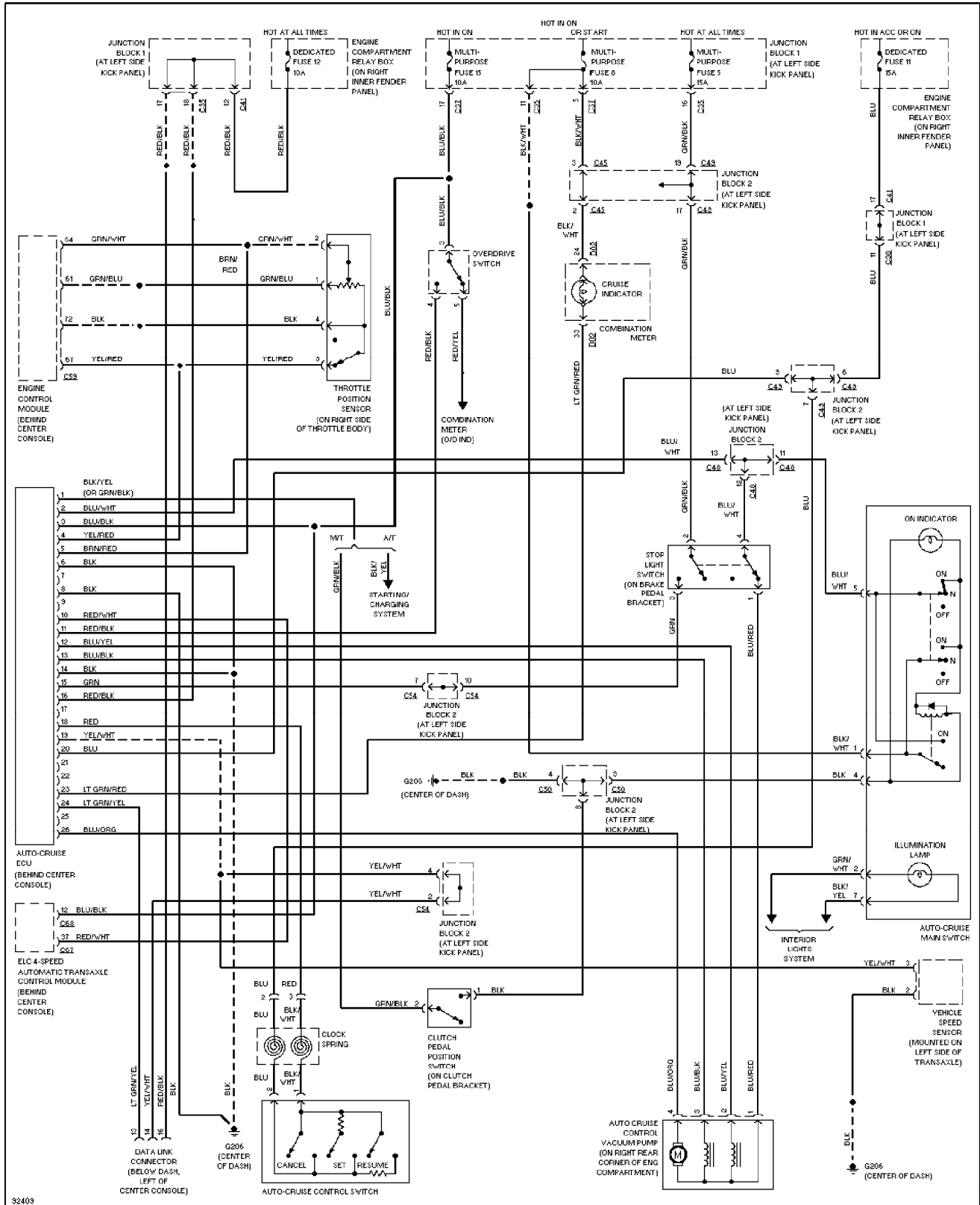
## Cruise Control Circuit (p. 12)

1998 Mitsubishi Galant

For x

Copyright © 1998 Mitchell Repair Information Company, LLC

Monday, November 01, 2004 12:02PM



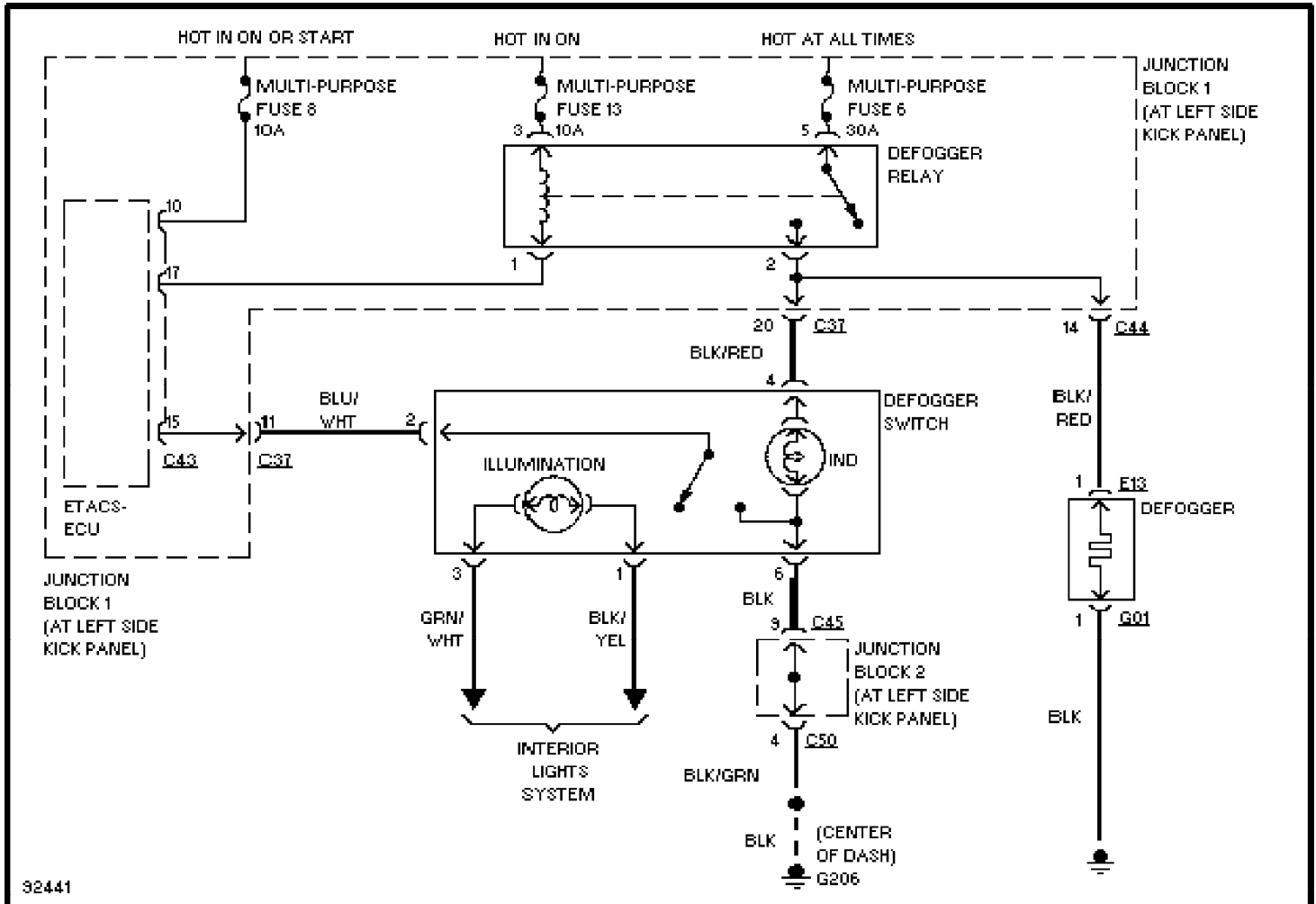
# SYSTEM WIRING DIAGRAMS

## Defogger Circuit, W/ ETACS-ECU (p. 13)

1998 Mitsubishi Galant

For x

Copyright © 1998 Mitchell Repair Information Company, LLC  
Monday, November 01, 2004 12:02PM



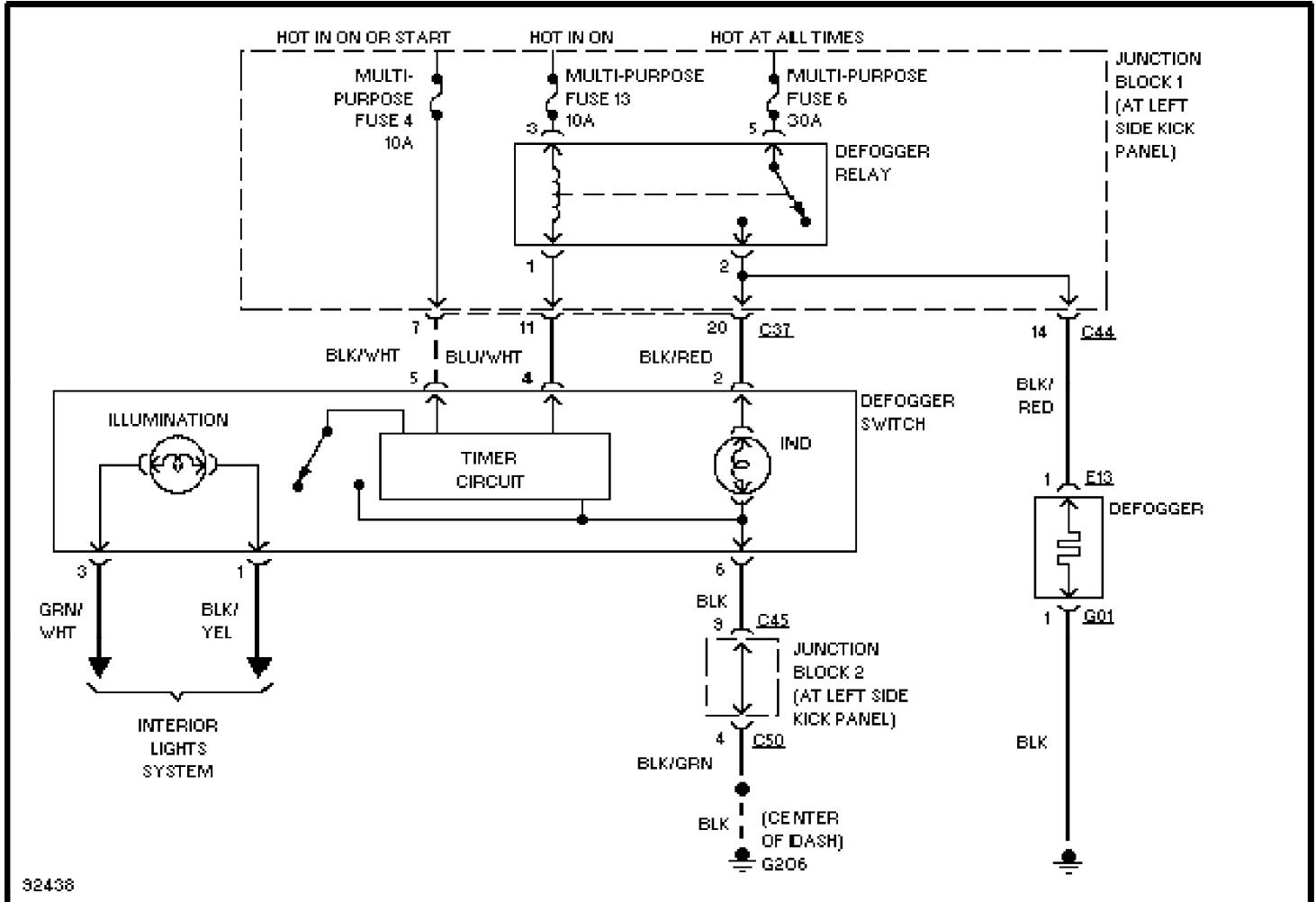
# SYSTEM WIRING DIAGRAMS

## Defogger Circuit, W/O ETACS-ECU (p. 14)

1998 Mitsubishi Galant

For x

Copyright © 1998 Mitchell Repair Information Company, LLC  
Monday, November 01, 2004 12:02PM



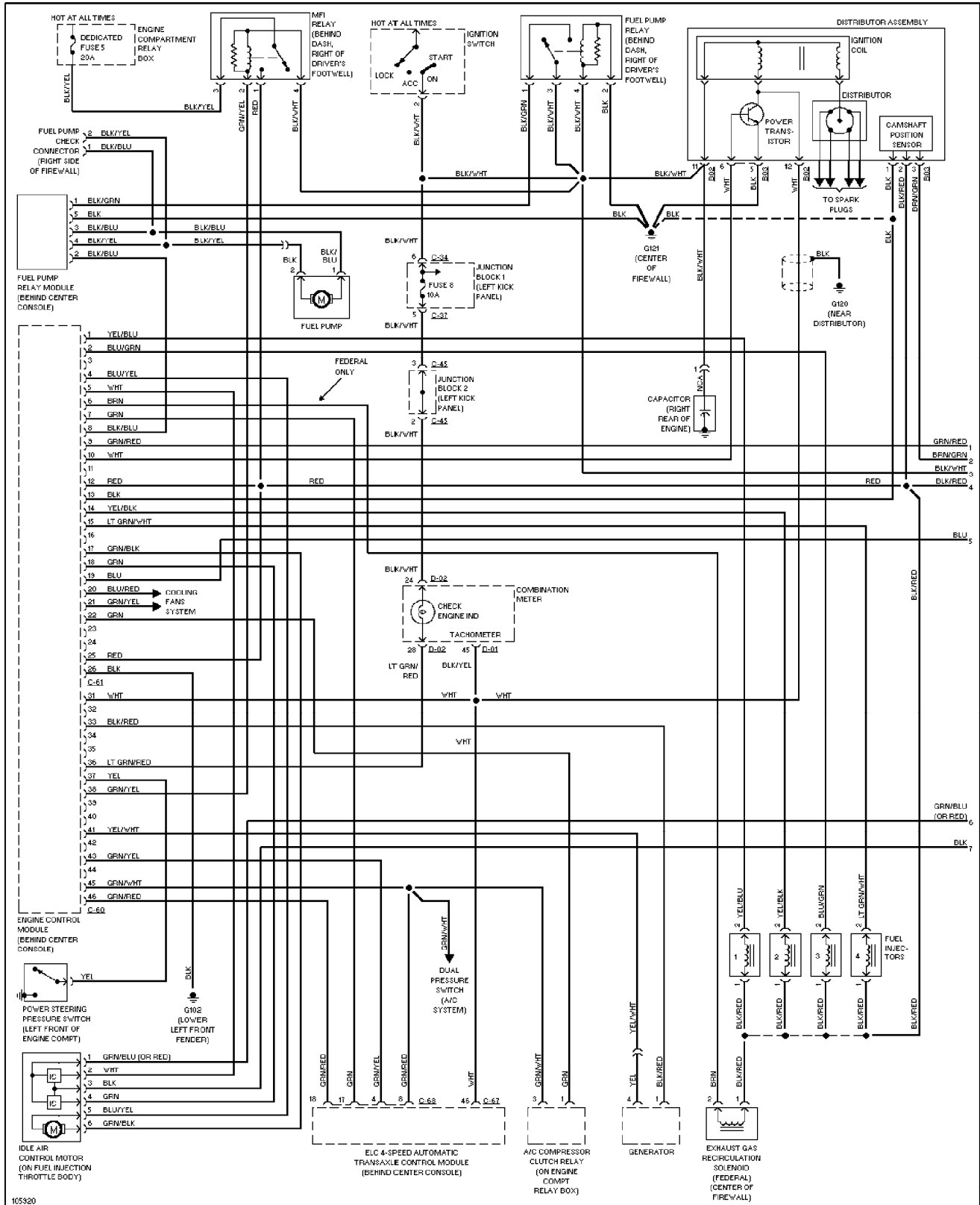
# SYSTEM WIRING DIAGRAMS

## 2.4L, Engine Performance Circuits (1 of 2) (p. 15)

1998 Mitsubishi Galant

For x

Copyright © 1998 Mitchell Repair Information Company, LLC  
Monday, November 01, 2004 12:02PM



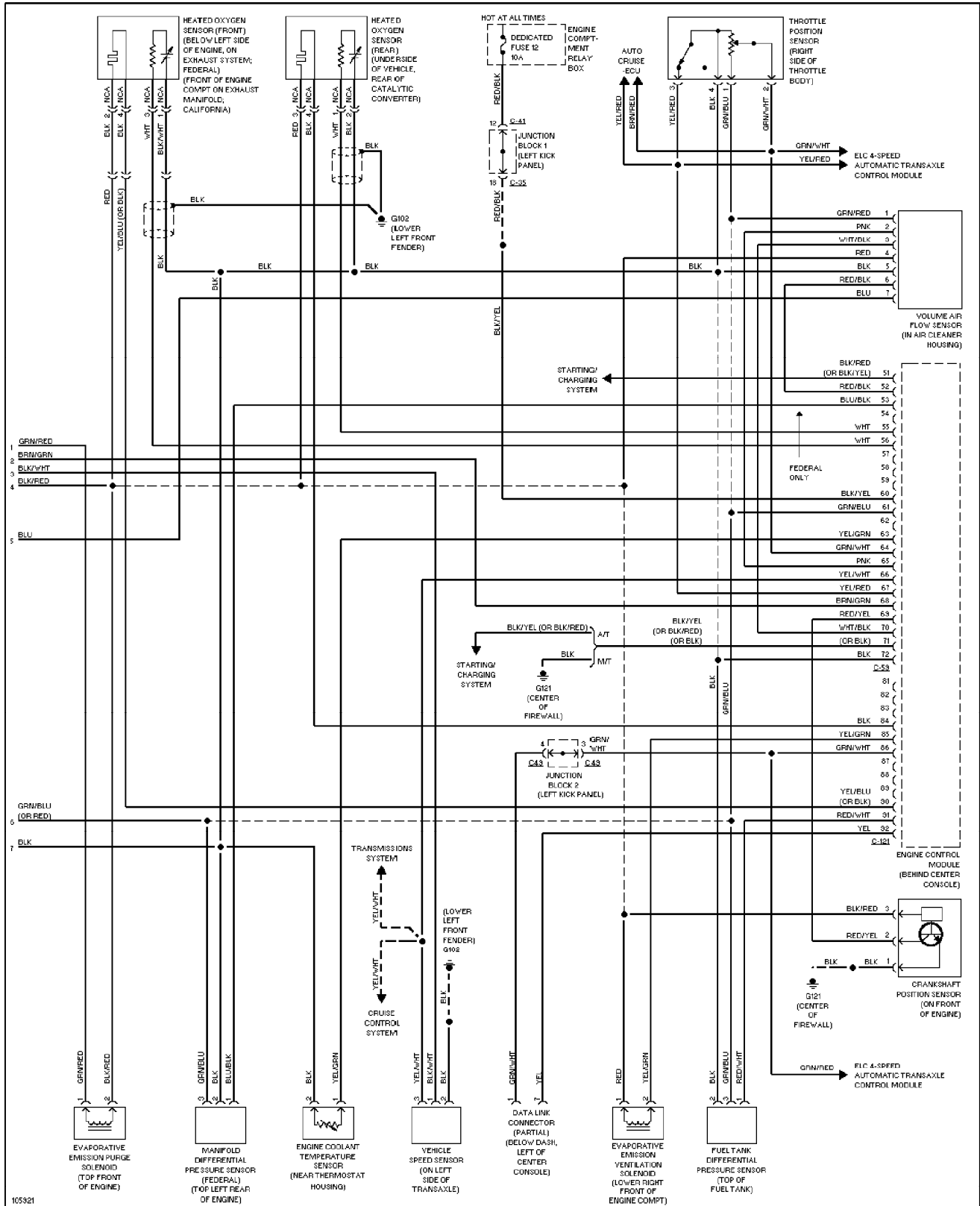
# SYSTEM WIRING DIAGRAMS

## 2.4L, Engine Performance Circuits (2 of 2) (p. 16)

1998 Mitsubishi Galant

For x

Copyright © 1998 Mitchell Repair Information Company, LLC  
Monday, November 01, 2004 12:02PM





# SYSTEM WIRING DIAGRAMS

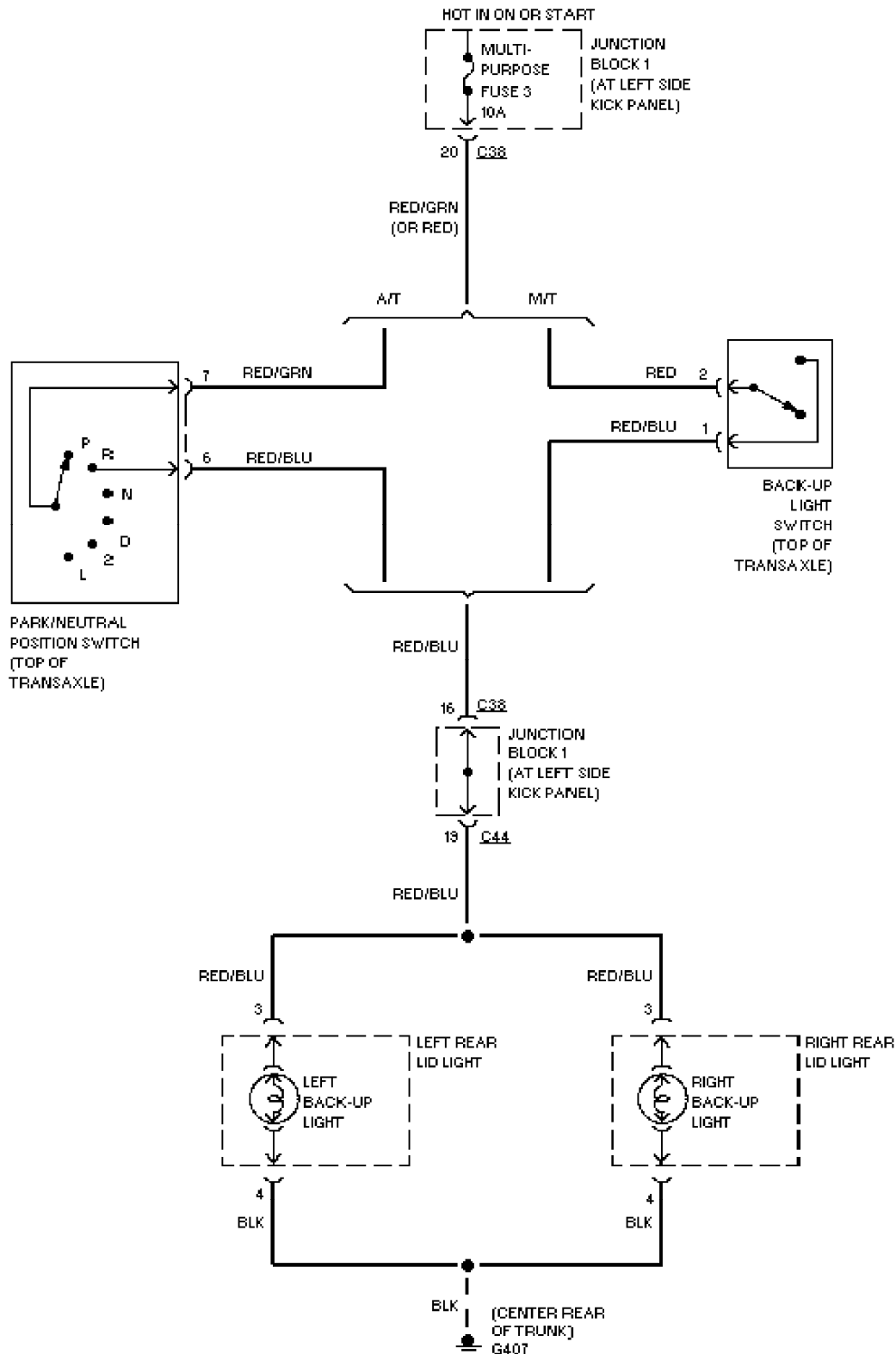
## Back-up Lamps Circuit (p. 17)

1998 Mitsubishi Galant

For x

Copyright © 1998 Mitchell Repair Information Company, LLC

Monday, November 01, 2004 12:02PM

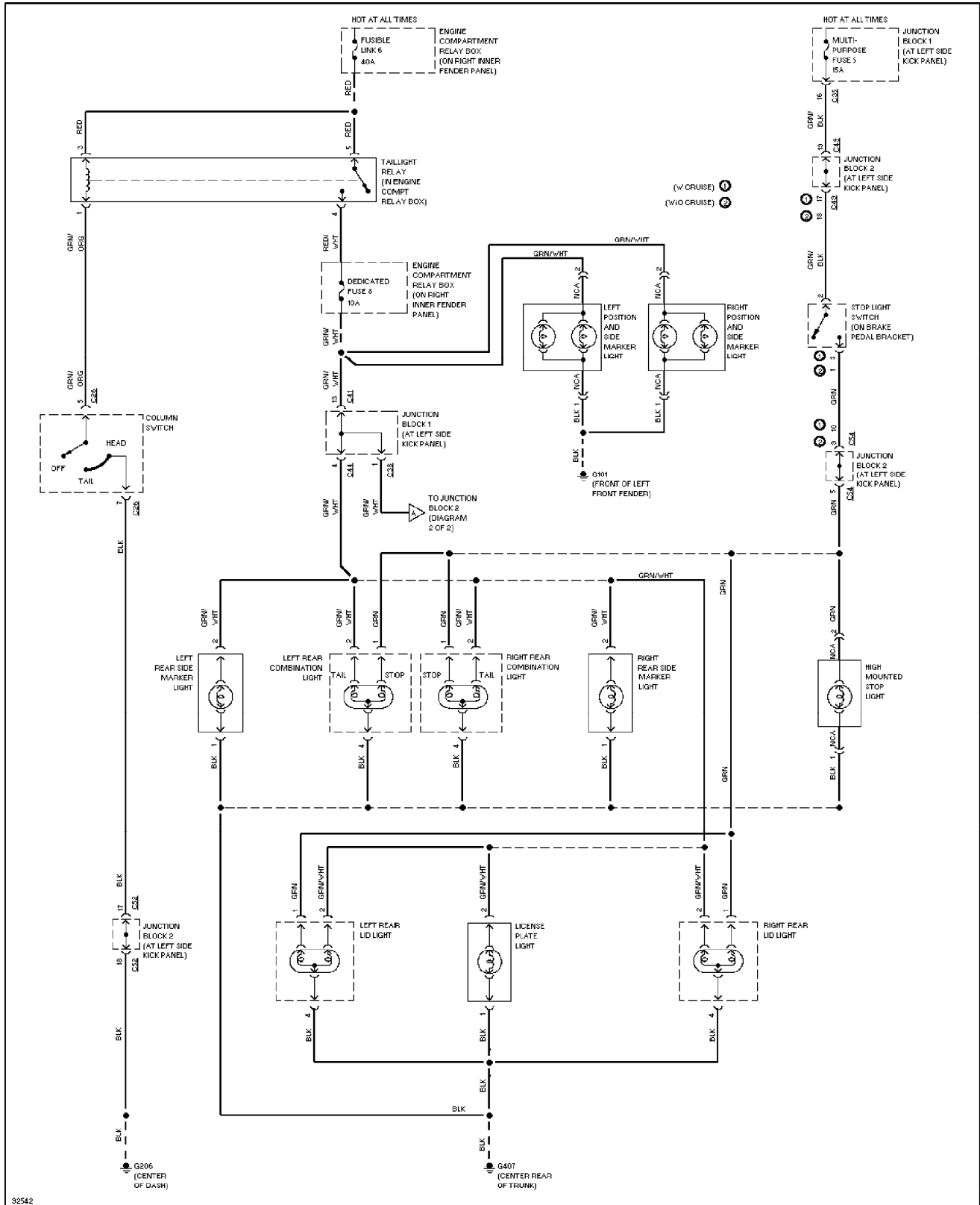


# SYSTEM WIRING DIAGRAMS Exterior Lamps Circuit (1 of 2) (p. 18)

1998 Mitsubishi Galant

For x

Copyright © 1998 Mitchell Repair Information Company, LLC  
Monday, November 01, 2004 12:02PM



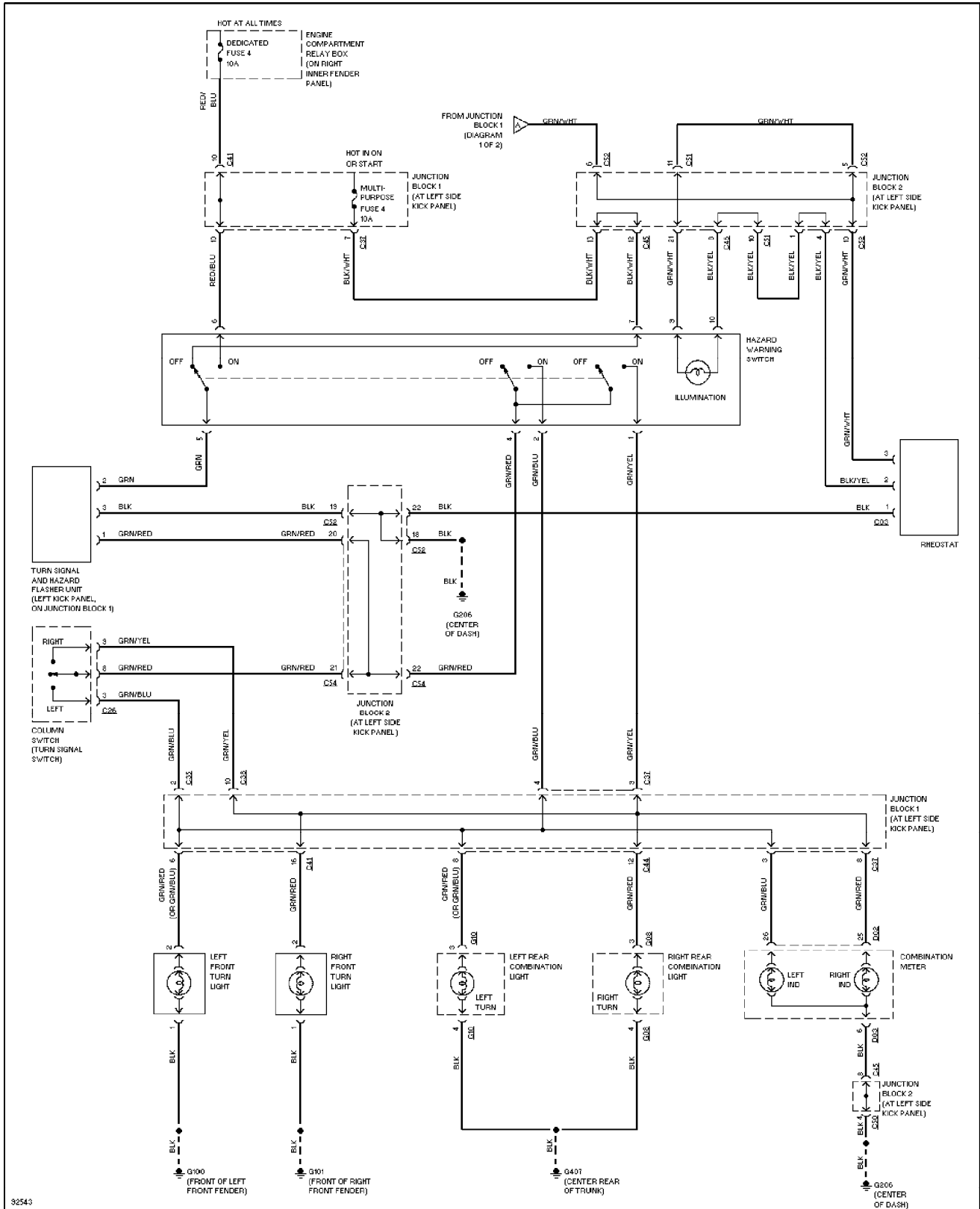
# SYSTEM WIRING DIAGRAMS

## Exterior Lamps Circuit (2 of 2) (p. 19)

1998 Mitsubishi Galant

For x

Copyright © 1998 Mitchell Repair Information Company, LLC  
Monday, November 01, 2004 12:02PM



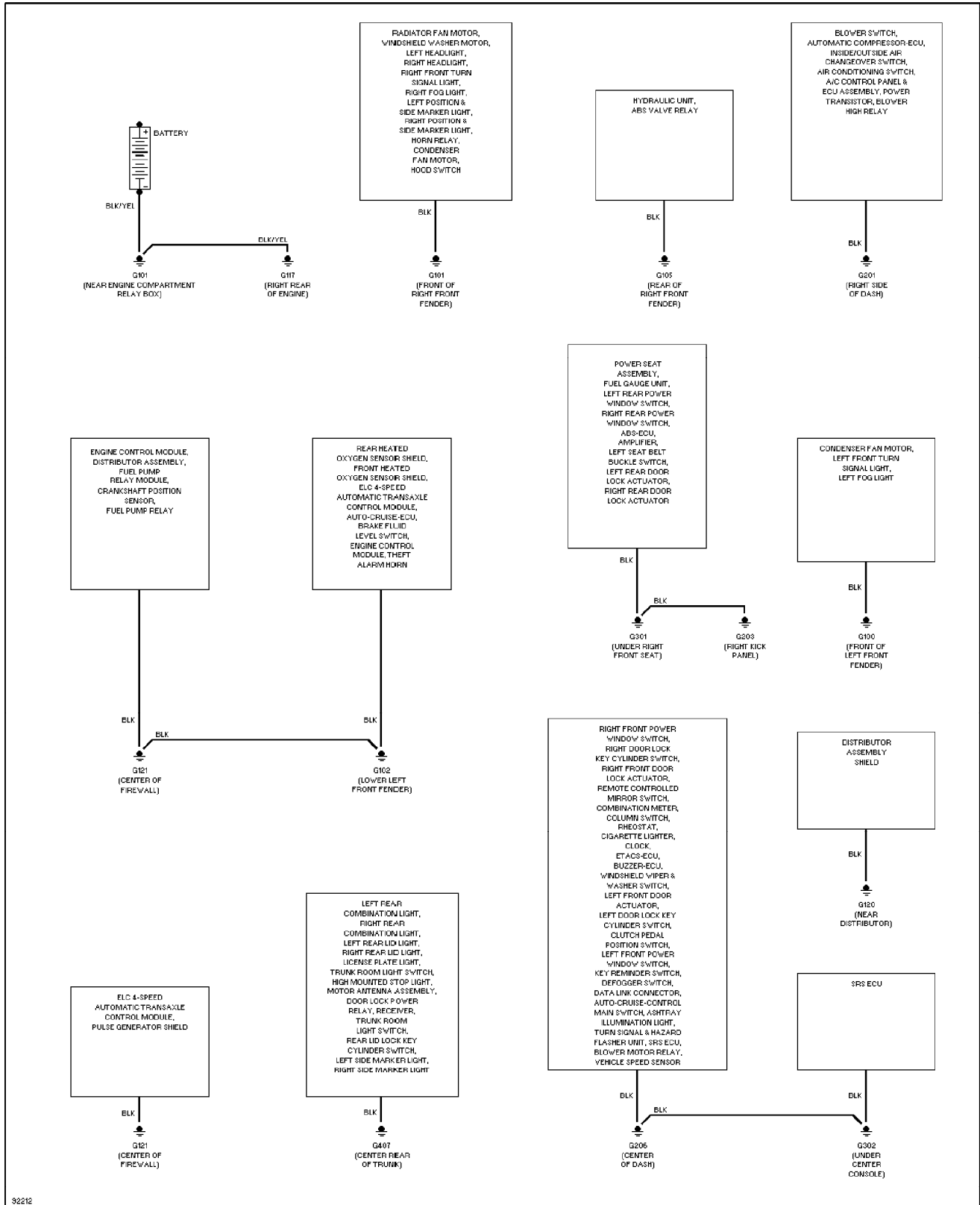
# SYSTEM WIRING DIAGRAMS

## Ground Distribution Circuit (p. 20)

1998 Mitsubishi Galant

For x

Copyright © 1998 Mitchell Repair Information Company, LLC  
Monday, November 01, 2004 12:02PM



# SYSTEM WIRING DIAGRAMS

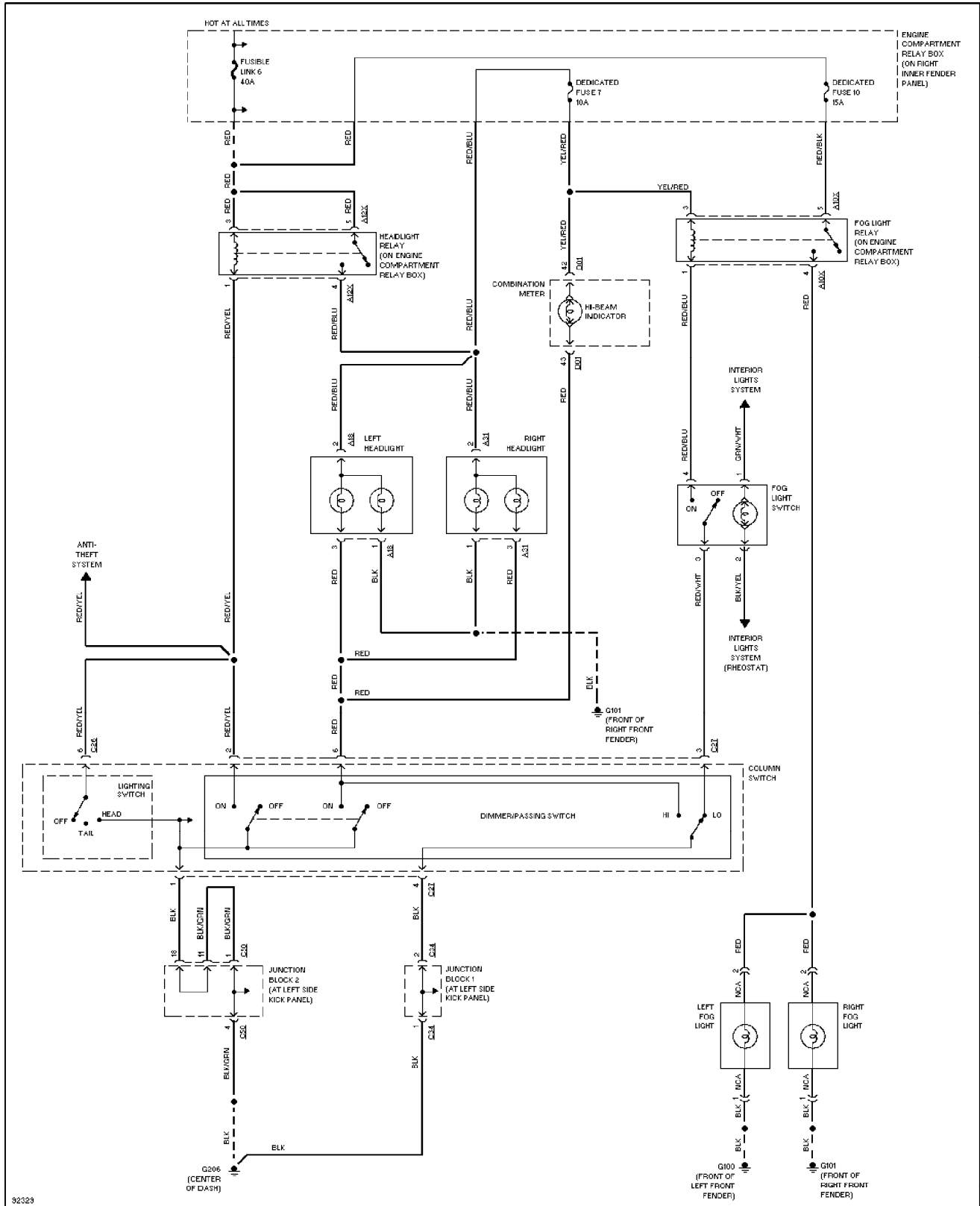
## Headlight Circuit (p. 21)

1998 Mitsubishi Galant

For x

Copyright © 1998 Mitchell Repair Information Company, LLC

Monday, November 01, 2004 12:02PM



# SYSTEM WIRING DIAGRAMS

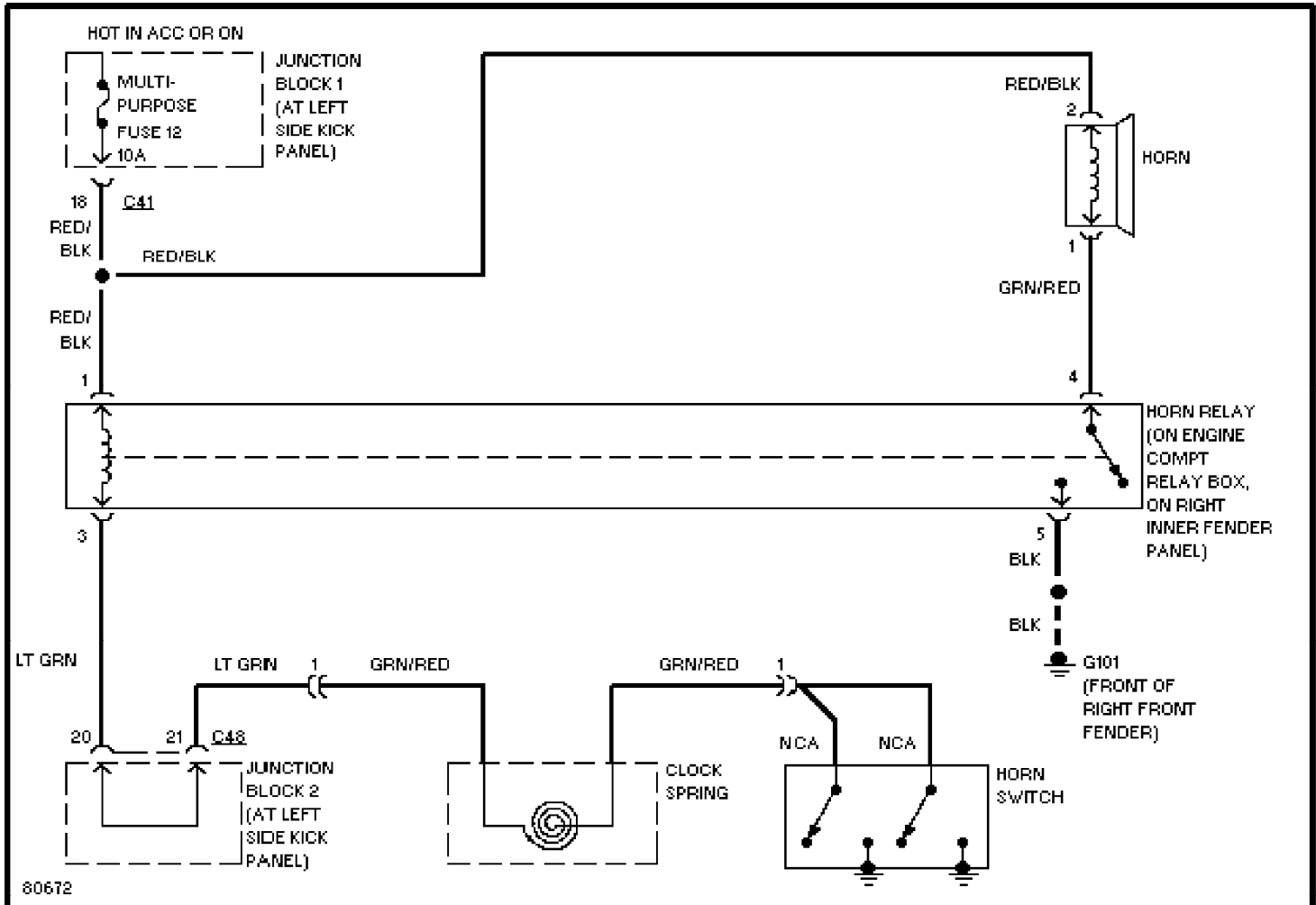
## Horn Circuit (p. 22)

1998 Mitsubishi Galant

For x

Copyright © 1998 Mitchell Repair Information Company, LLC

Monday, November 01, 2004 12:02PM



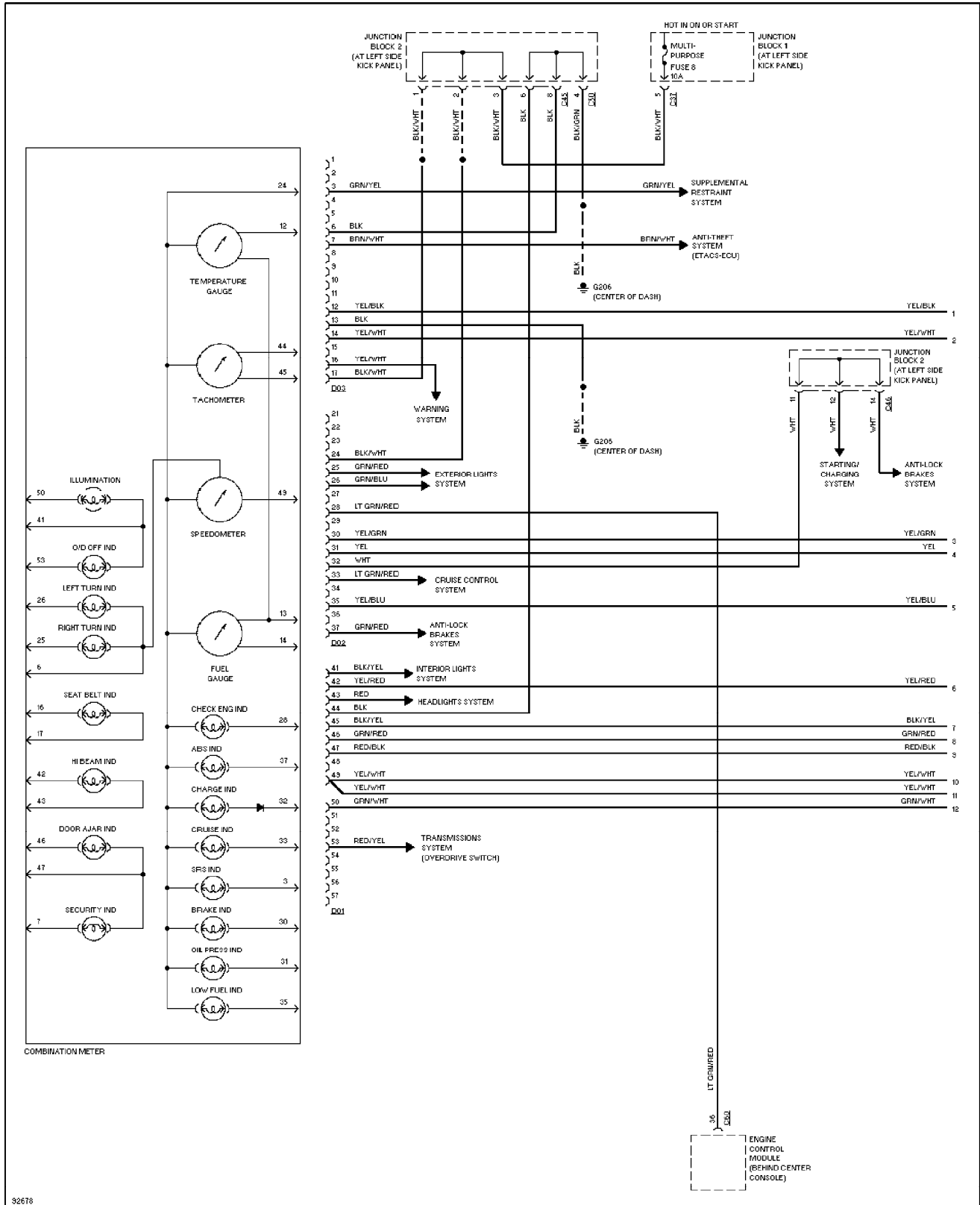
# SYSTEM WIRING DIAGRAMS

## Instrument Cluster Circuit (1 of 2) (p. 23)

1998 Mitsubishi Galant

For x

Copyright © 1998 Mitchell Repair Information Company, LLC  
Monday, November 01, 2004 12:02PM



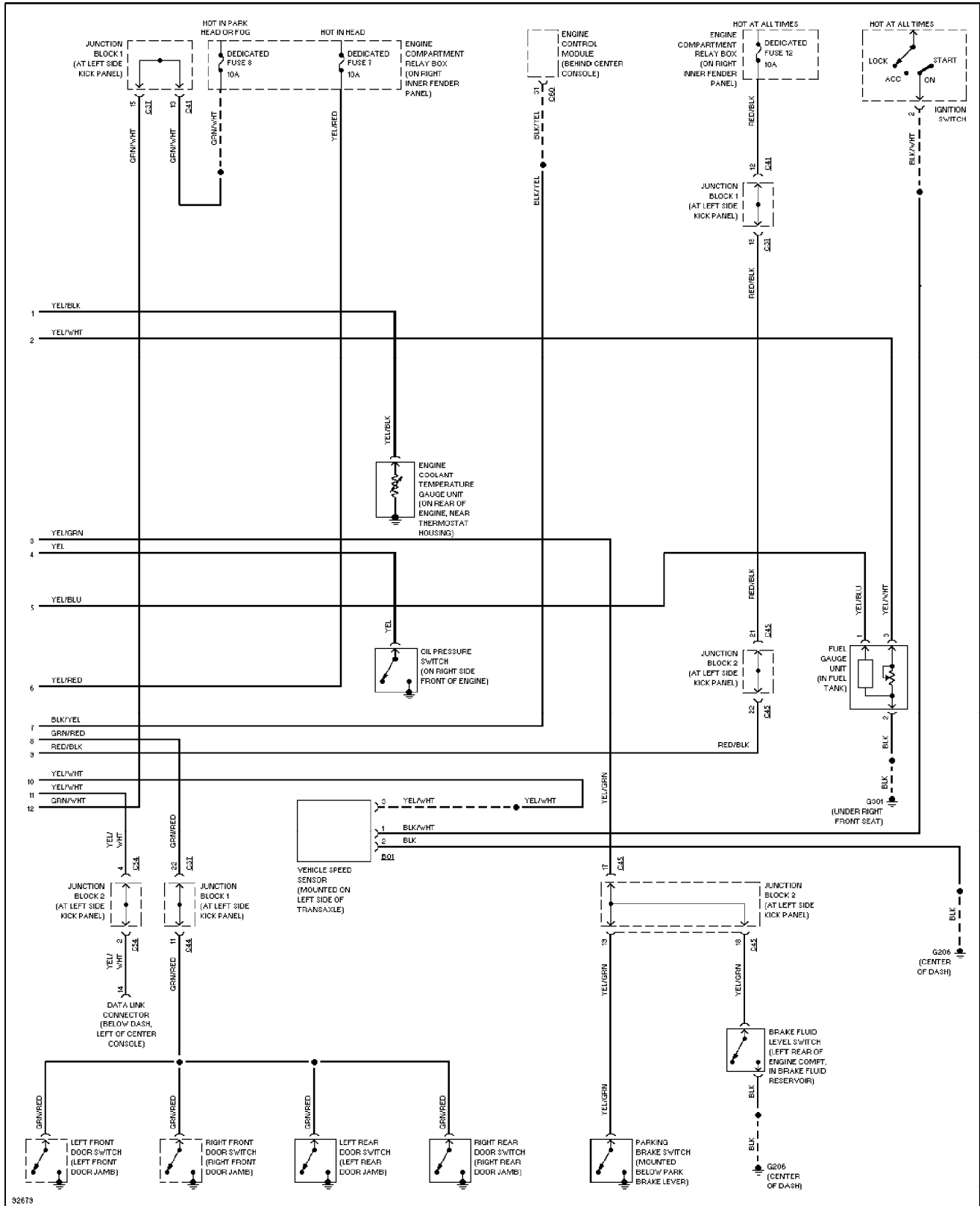
# SYSTEM WIRING DIAGRAMS

## Instrument Cluster Circuit (2 of 2) (p. 24)

1998 Mitsubishi Galant

For x

Copyright © 1998 Mitchell Repair Information Company, LLC  
Monday, November 01, 2004 12:02PM





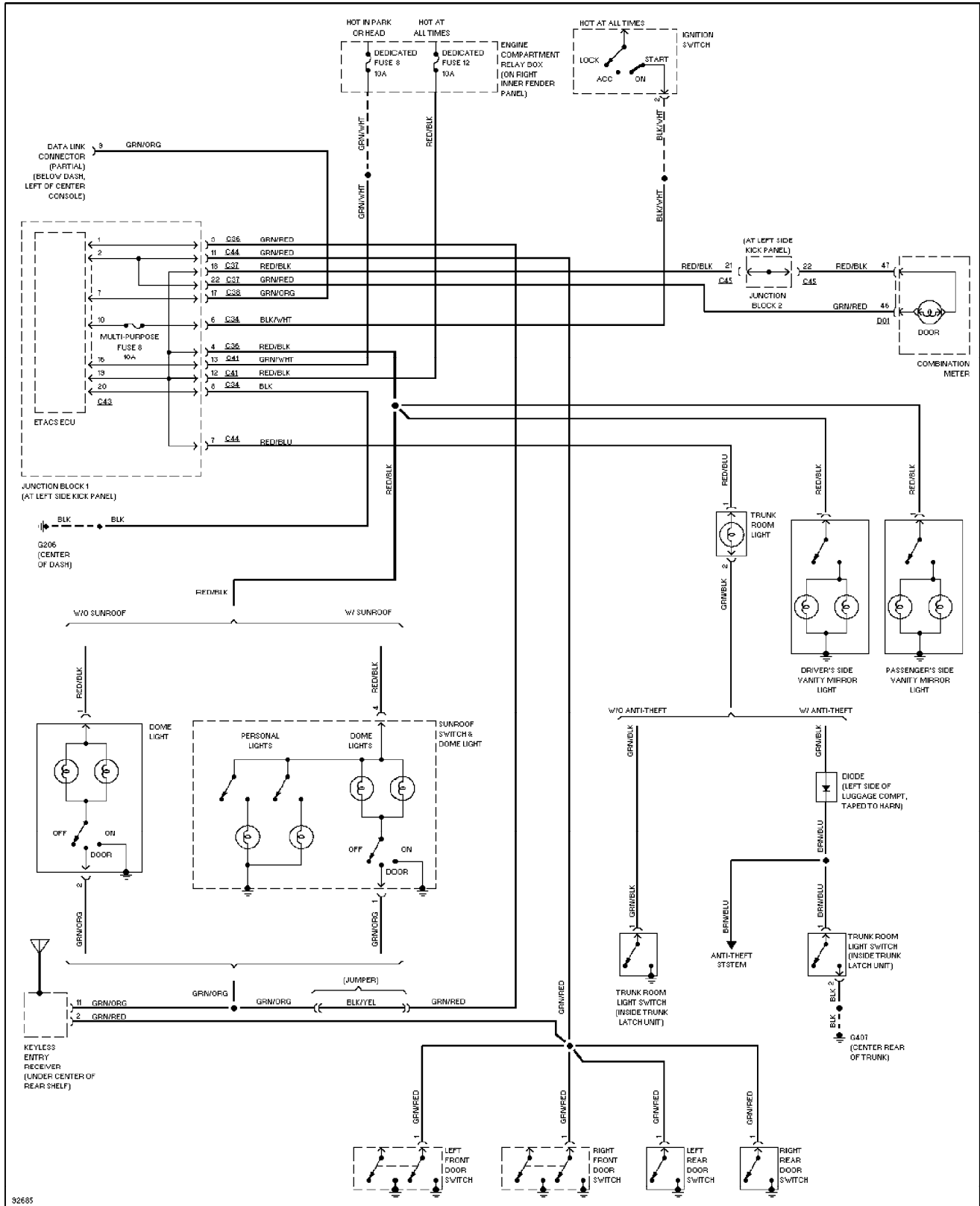
# SYSTEM WIRING DIAGRAMS

## Courtesy Lamps Circuit, W/ ETACS-ECU (p. 25)

1998 Mitsubishi Galant

For x

Copyright © 1998 Mitchell Repair Information Company, LLC  
Monday, November 01, 2004 12:02PM



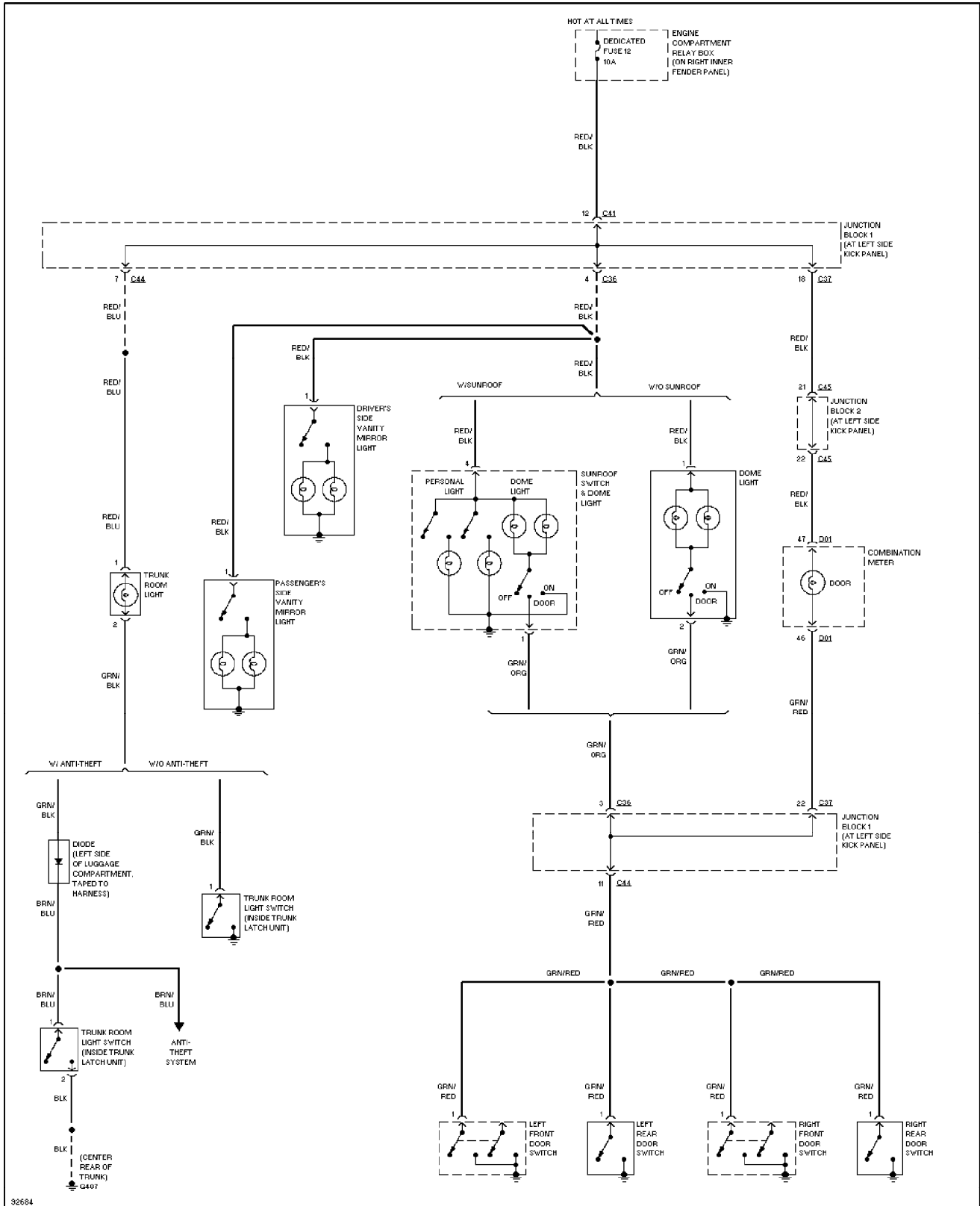
# SYSTEM WIRING DIAGRAMS

## Courtesy Lamps Circuit, W/O ETACS-ECU (p. 26)

1998 Mitsubishi Galant

For x

Copyright © 1998 Mitchell Repair Information Company, LLC  
Monday, November 01, 2004 12:02PM



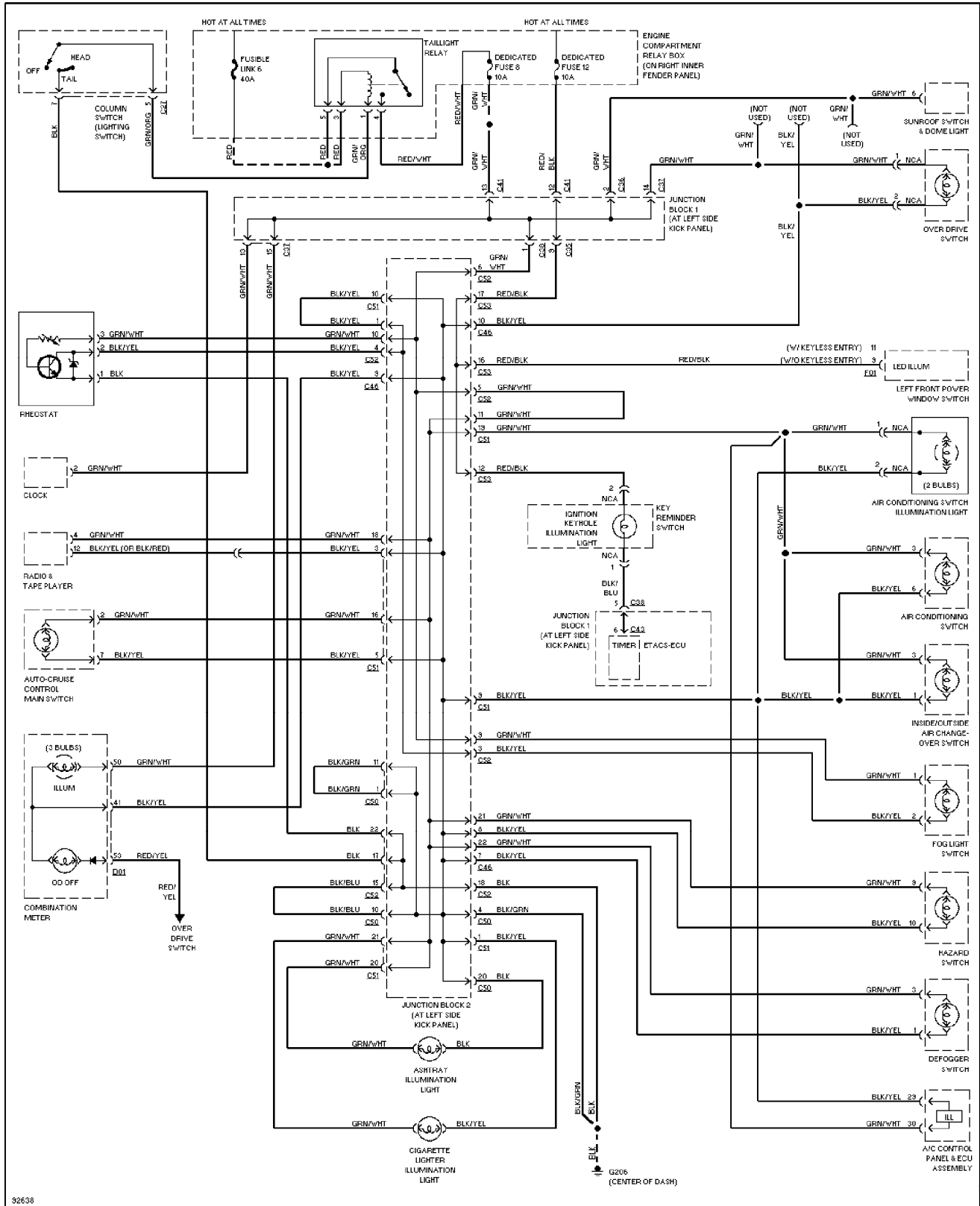
# SYSTEM WIRING DIAGRAMS

## Instrument Illumination Circuit (p. 27)

1998 Mitsubishi Galant

For x

Copyright © 1998 Mitchell Repair Information Company, LLC  
Monday, November 01, 2004 12:02PM



# SYSTEM WIRING DIAGRAMS

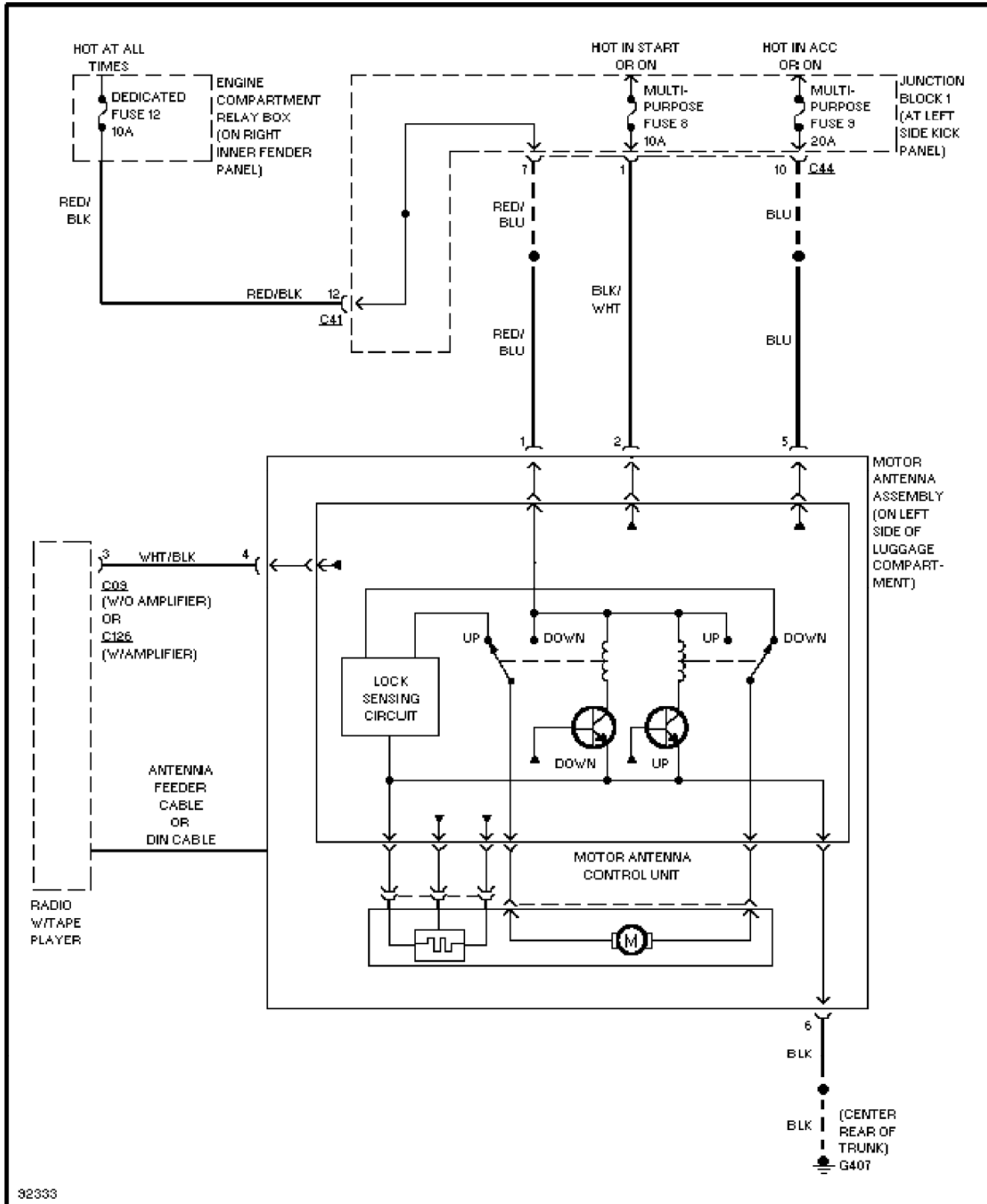
## Power Antenna Circuit (p. 28)

1998 Mitsubishi Galant

For x

Copyright © 1998 Mitchell Repair Information Company, LLC

Monday, November 01, 2004 12:02PM



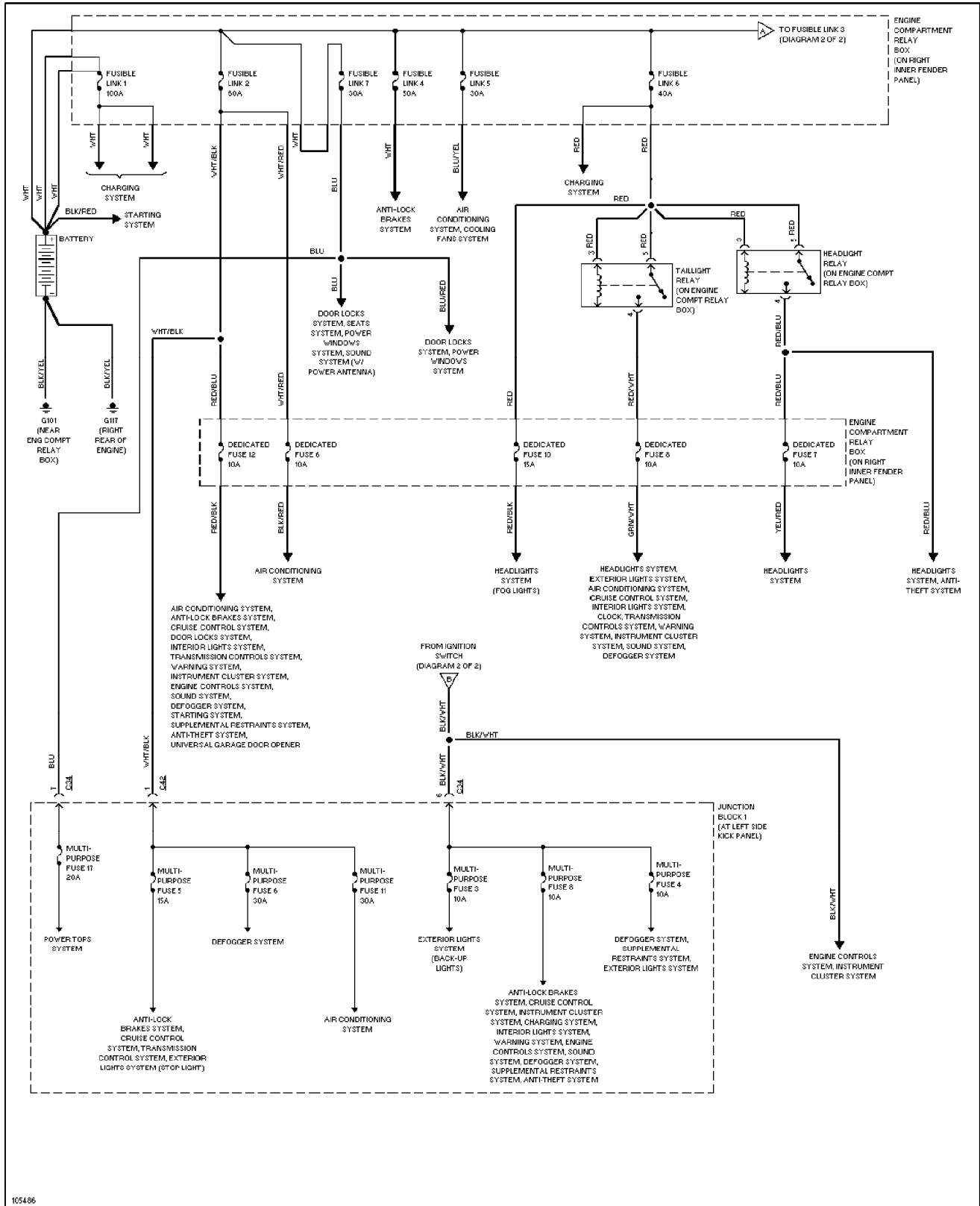
# SYSTEM WIRING DIAGRAMS

## Power Distribution Circuit (1 of 2) (p. 29)

1998 Mitsubishi Galant

For x

Copyright © 1998 Mitchell Repair Information Company, LLC  
Monday, November 01, 2004 12:02PM



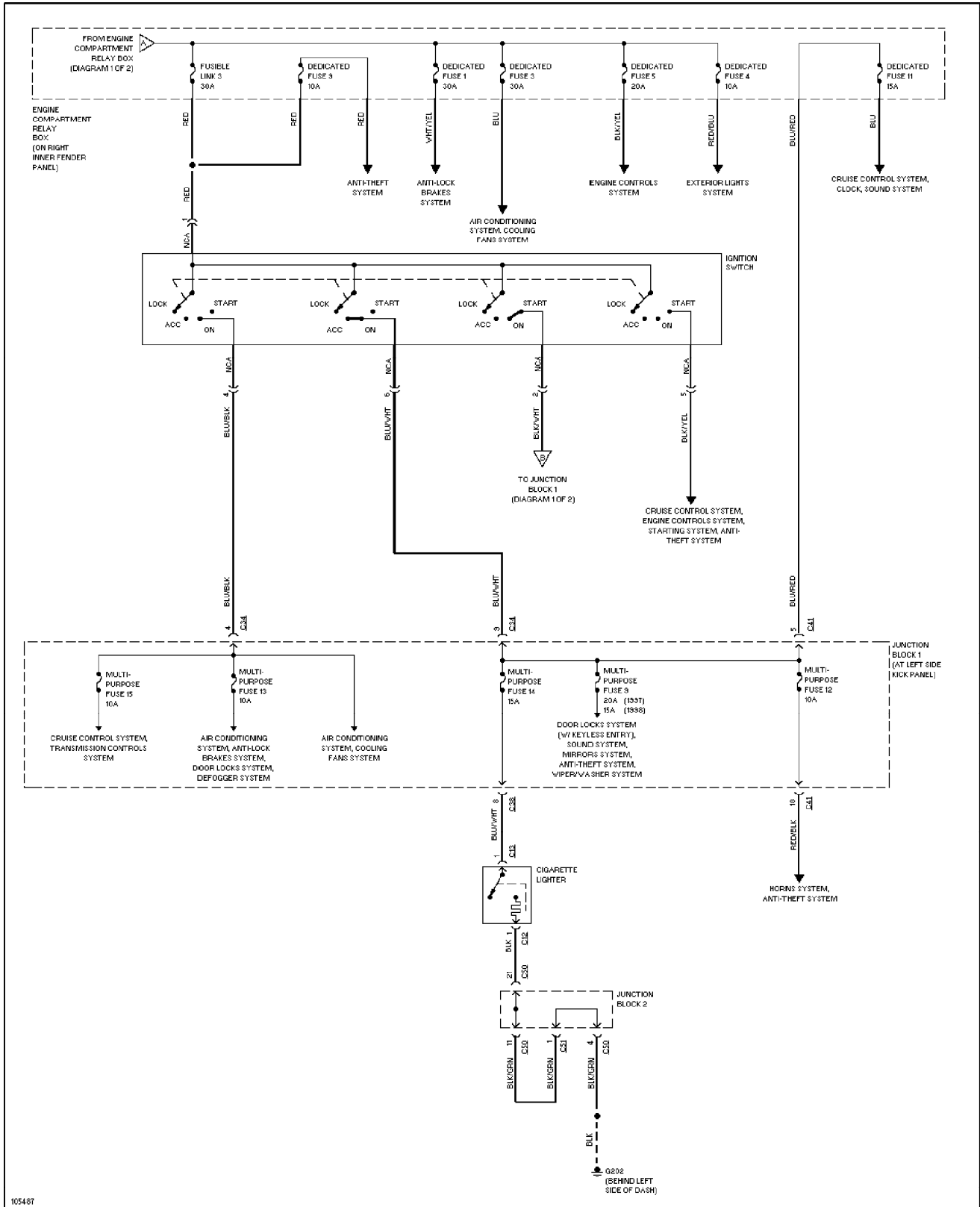
# SYSTEM WIRING DIAGRAMS

## Power Distribution Circuit (2 of 2) (p. 30)

1998 Mitsubishi Galant

For x

Copyright © 1998 Mitchell Repair Information Company, LLC  
Monday, November 01, 2004 12:02PM



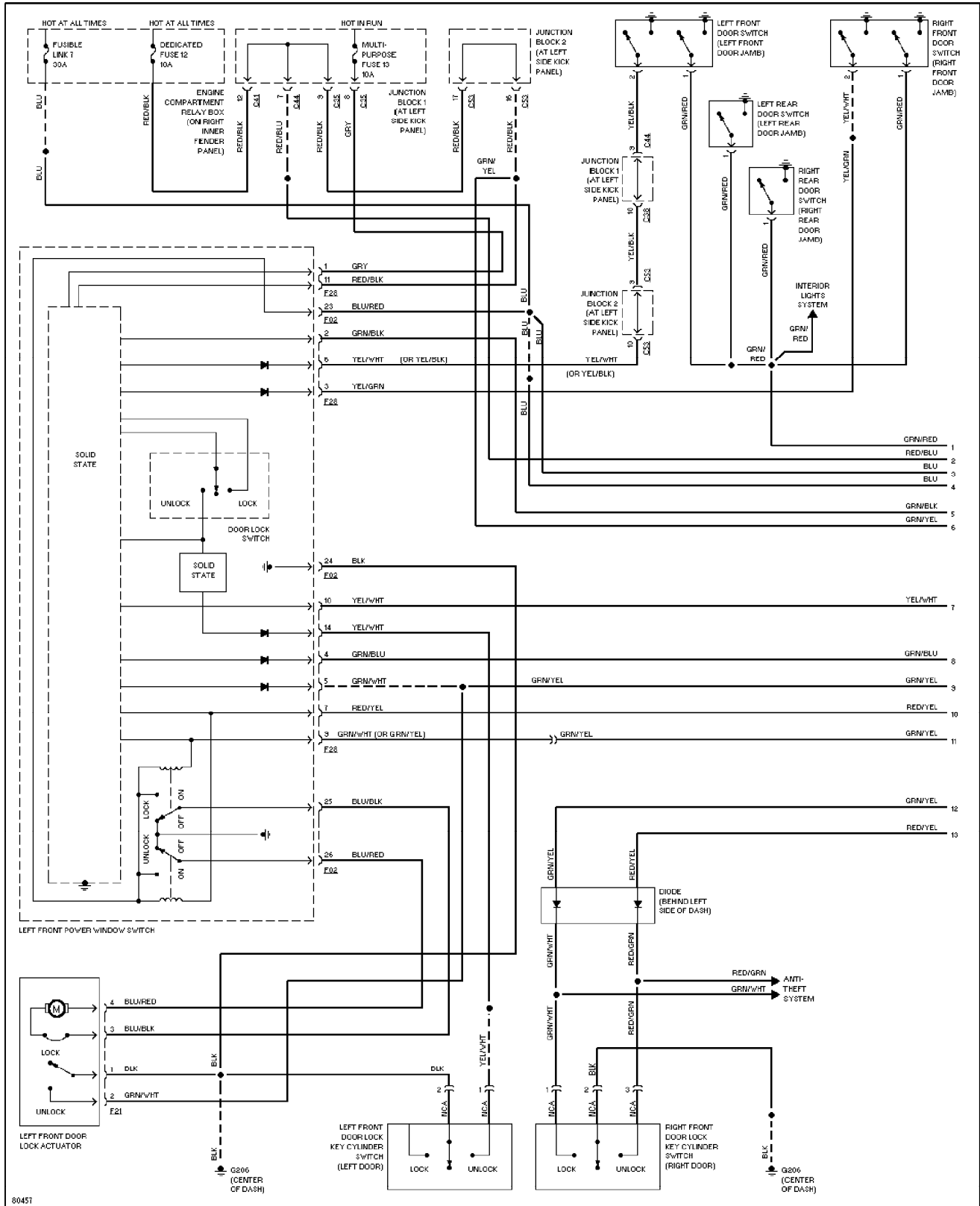
# SYSTEM WIRING DIAGRAMS

## Power Door Lock Circuit, W/ Keyless Entry (1 of 2) (p. 31)

1998 Mitsubishi Galant

For x

Copyright © 1998 Mitchell Repair Information Company, LLC  
Monday, November 01, 2004 12:02PM



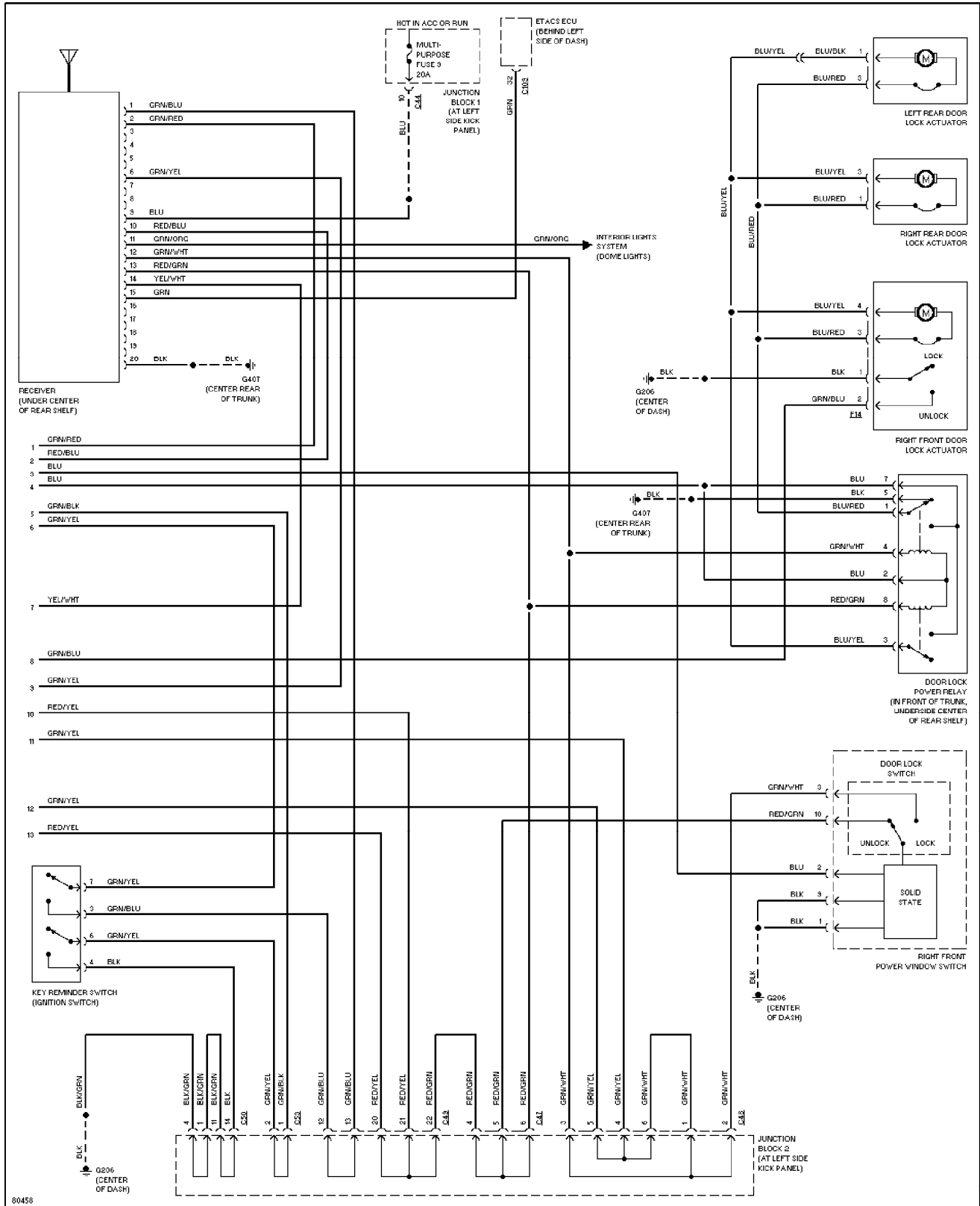
# SYSTEM WIRING DIAGRAMS

## Power Door Lock Circuit, W/ Keyless Entry (2 of 2) (p. 32)

1998 Mitsubishi Galant

For x

Copyright © 1998 Mitchell Repair Information Company, LLC  
Monday, November 01, 2004 12:02PM





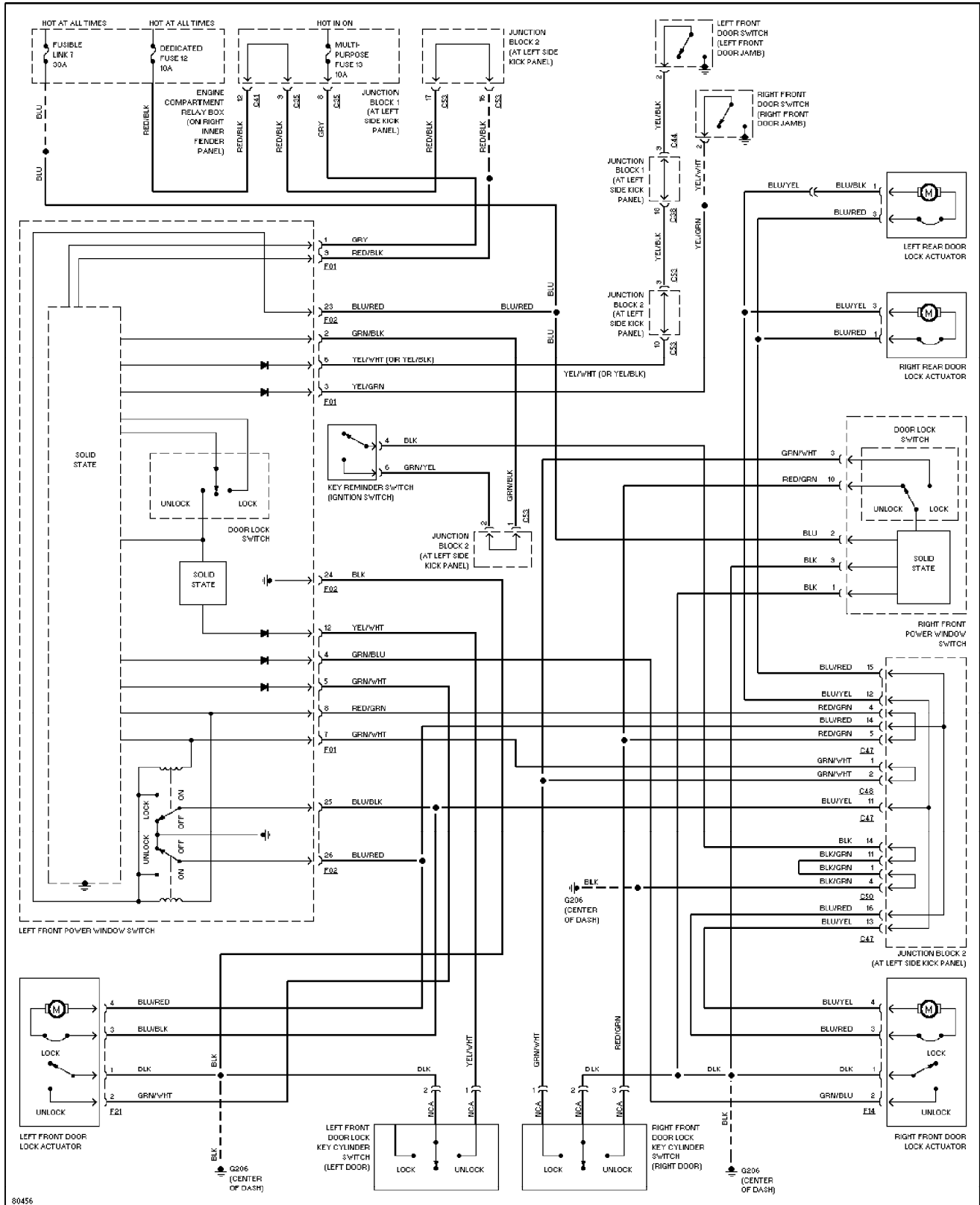
# SYSTEM WIRING DIAGRAMS

## Power Door Lock Circuit, W/O Keyless Entry (p. 33)

1998 Mitsubishi Galant

For x

Copyright © 1998 Mitchell Repair Information Company, LLC  
Monday, November 01, 2004 12:02PM



# SYSTEM WIRING DIAGRAMS

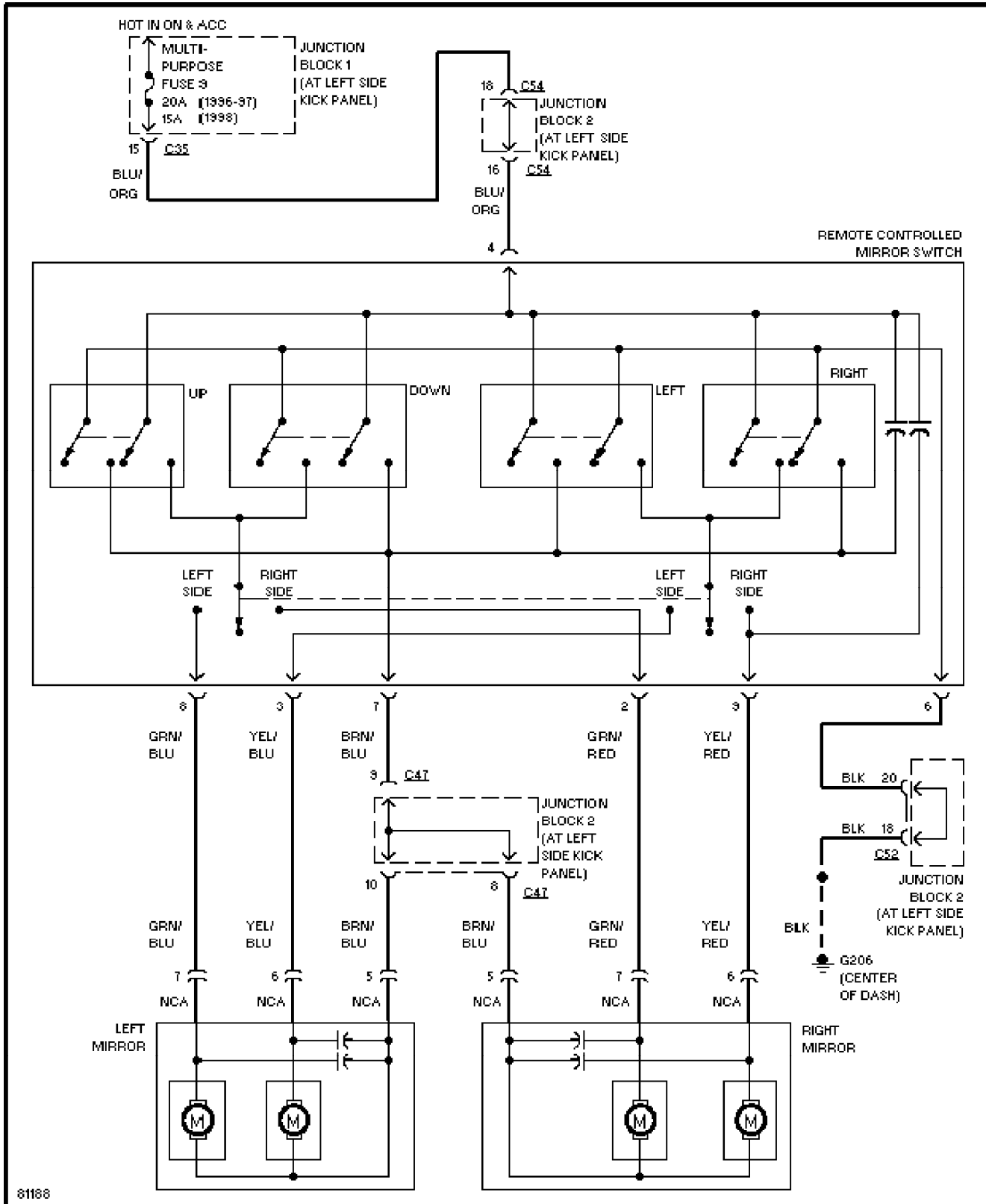
## Power Mirror Circuit (p. 34)

1998 Mitsubishi Galant

For x

Copyright © 1998 Mitchell Repair Information Company, LLC

Monday, November 01, 2004 12:02PM



# SYSTEM WIRING DIAGRAMS

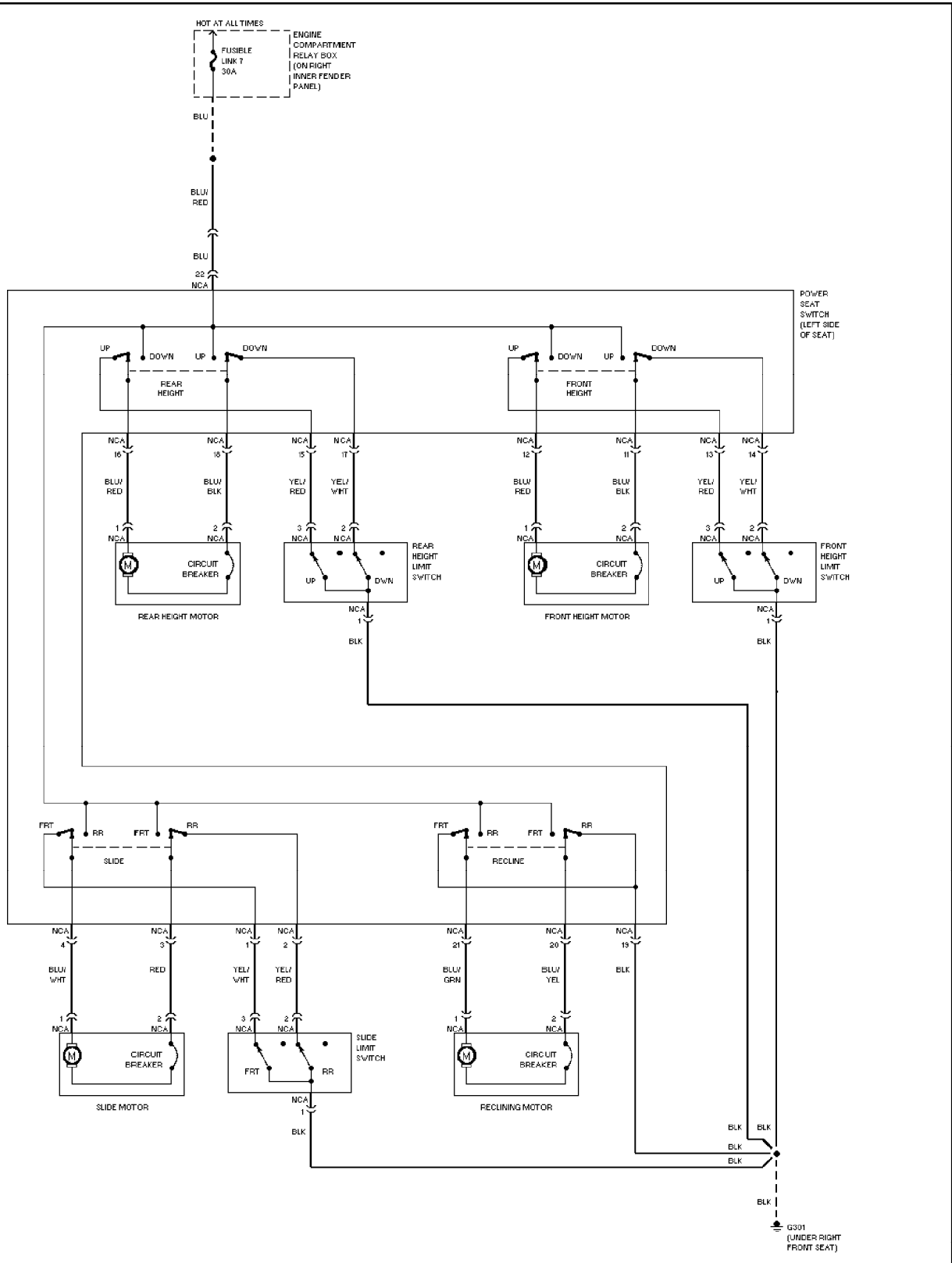
## Power Seat Circuits (p. 35)

1998 Mitsubishi Galant

For x

Copyright © 1998 Mitchell Repair Information Company, LLC

Monday, November 01, 2004 12:02PM



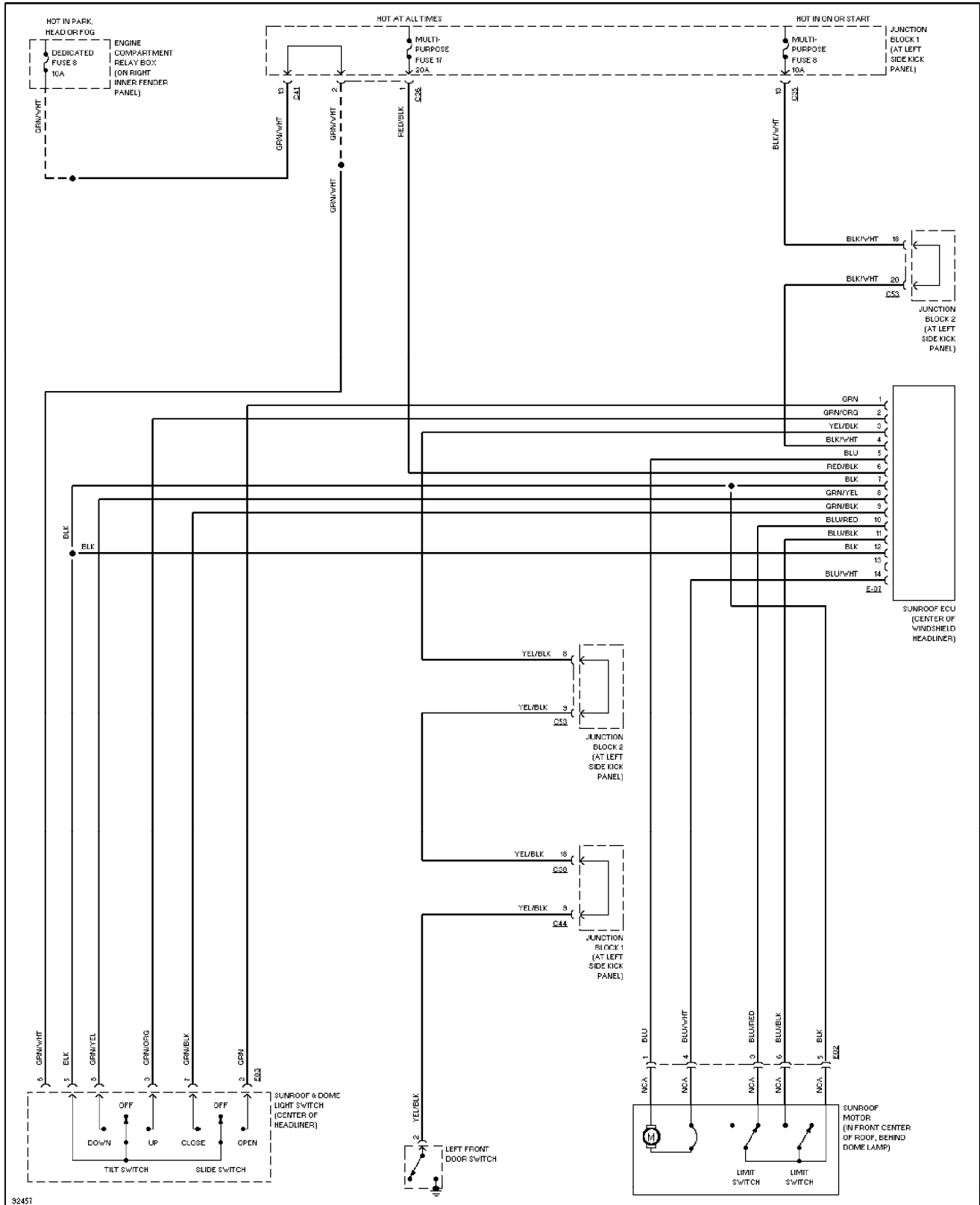
# SYSTEM WIRING DIAGRAMS

## Power Top/Sunroof Circuits (p. 36)

1998 Mitsubishi Galant

For x

Copyright © 1998 Mitchell Repair Information Company, LLC  
Monday, November 01, 2004 12:02PM



# SYSTEM WIRING DIAGRAMS

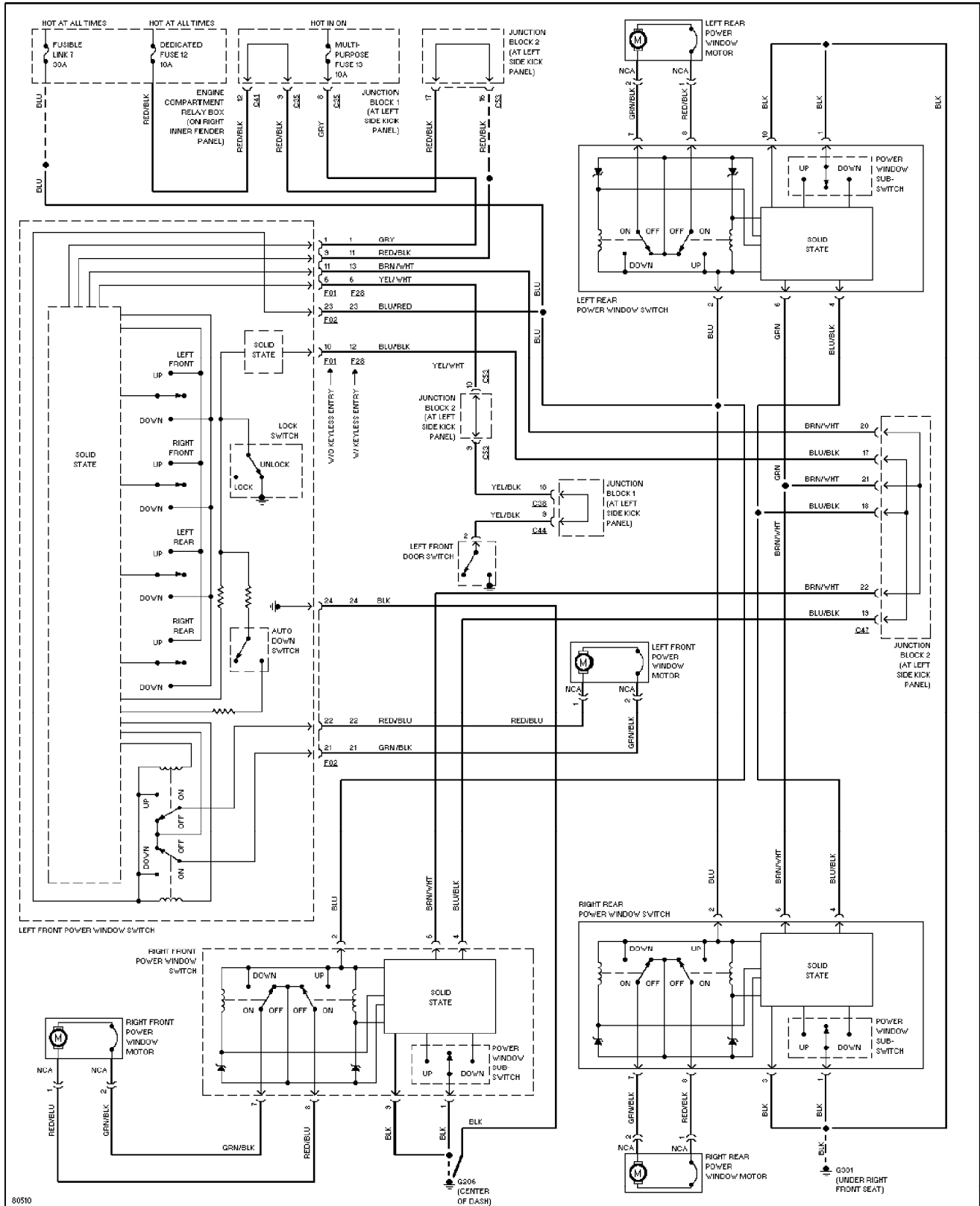
## Power Window Circuit (p. 37)

1998 Mitsubishi Galant

For x

Copyright © 1998 Mitchell Repair Information Company, LLC

Monday, November 01, 2004 12:02PM



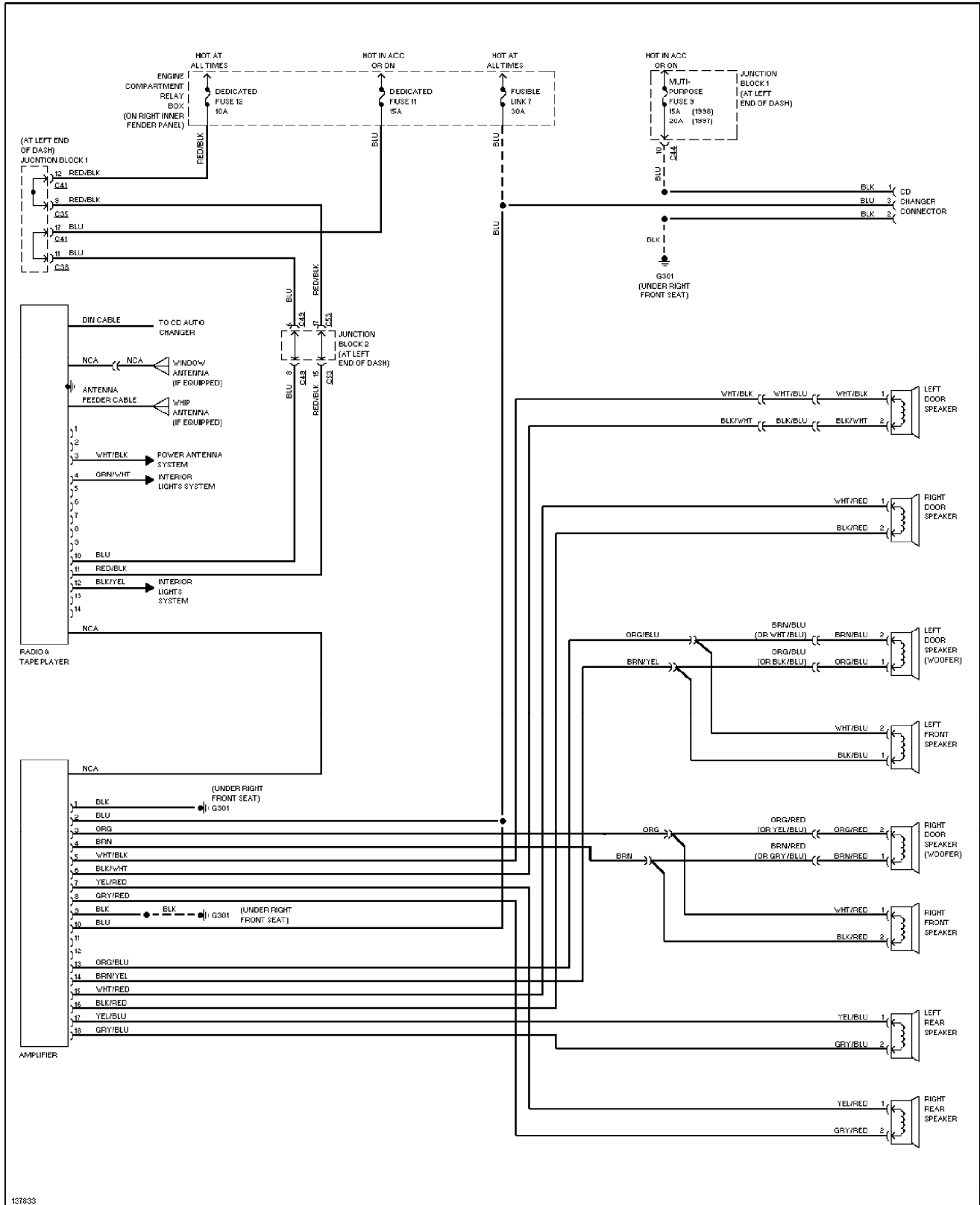
# SYSTEM WIRING DIAGRAMS

## Radio Circuits, W/ Amplifier (p. 38)

1998 Mitsubishi Galant

For x

Copyright © 1998 Mitchell Repair Information Company, LLC  
Monday, November 01, 2004 12:02PM



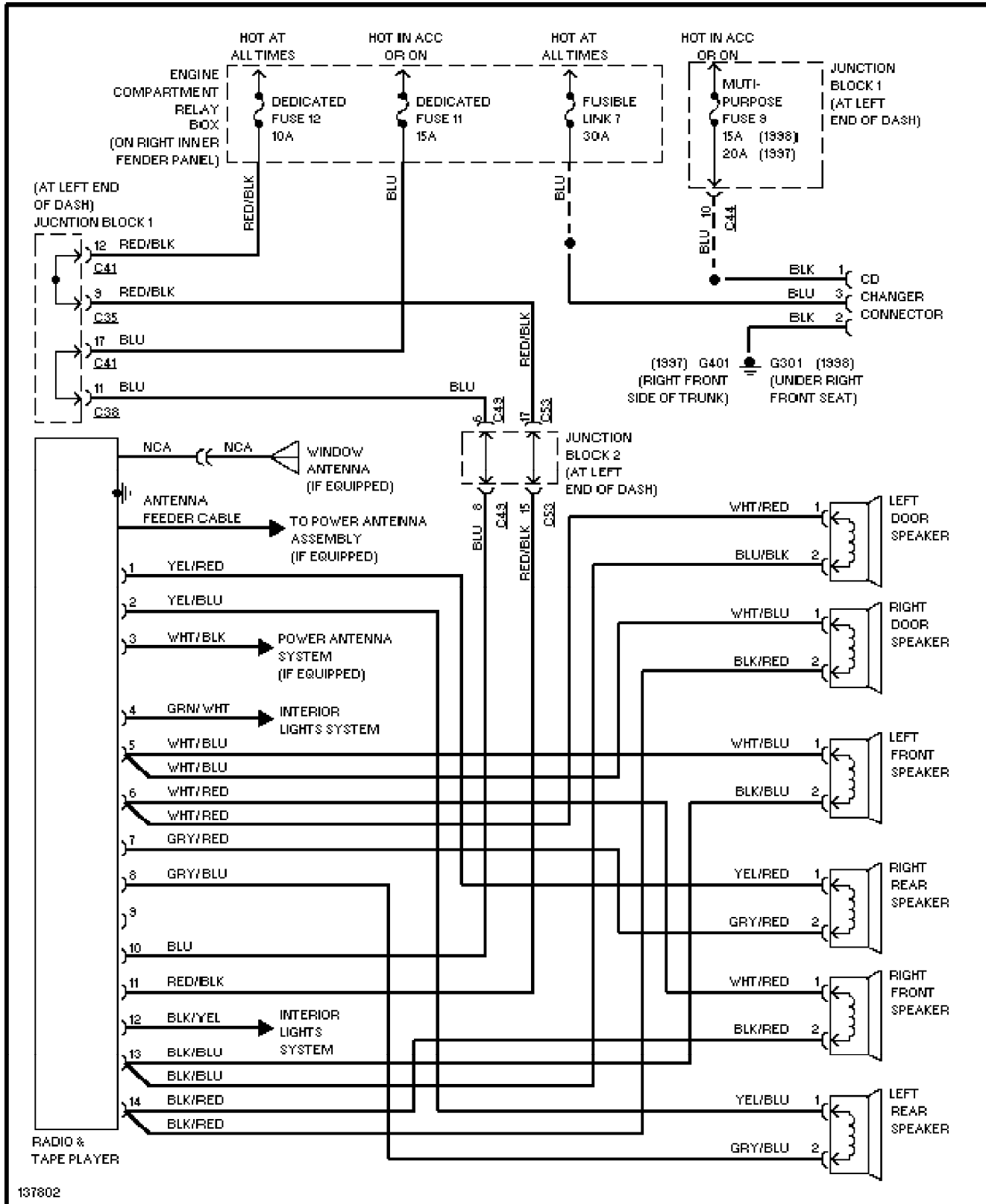
# SYSTEM WIRING DIAGRAMS

## Radio Circuits, W/O Amplifier (p. 39)

1998 Mitsubishi Galant

For x

Copyright © 1998 Mitchell Repair Information Company, LLC  
Monday, November 01, 2004 12:02PM



# SYSTEM WIRING DIAGRAMS

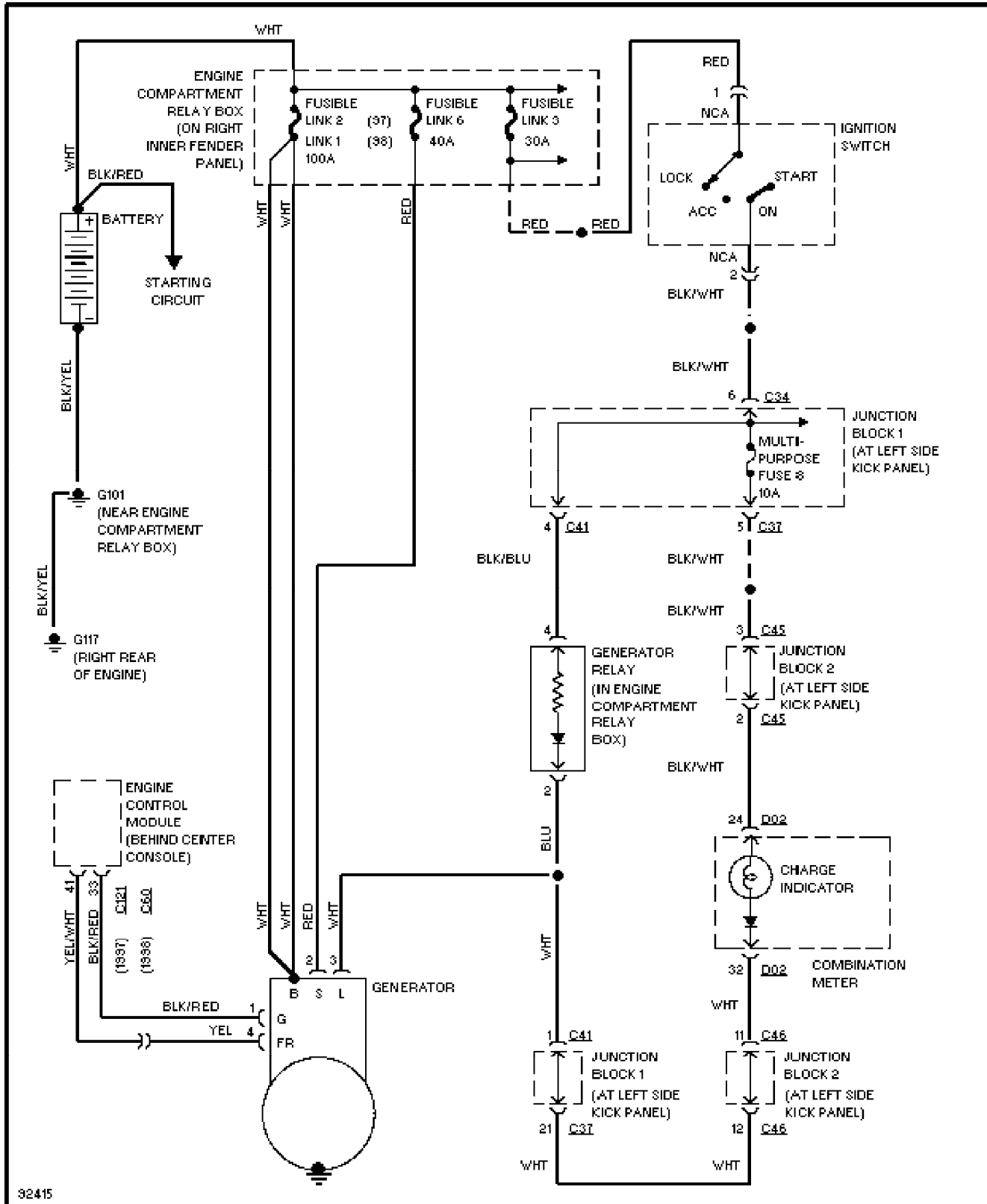
## Charging Circuit (p. 40)

1998 Mitsubishi Galant

For x

Copyright © 1998 Mitchell Repair Information Company, LLC

Monday, November 01, 2004 12:02PM





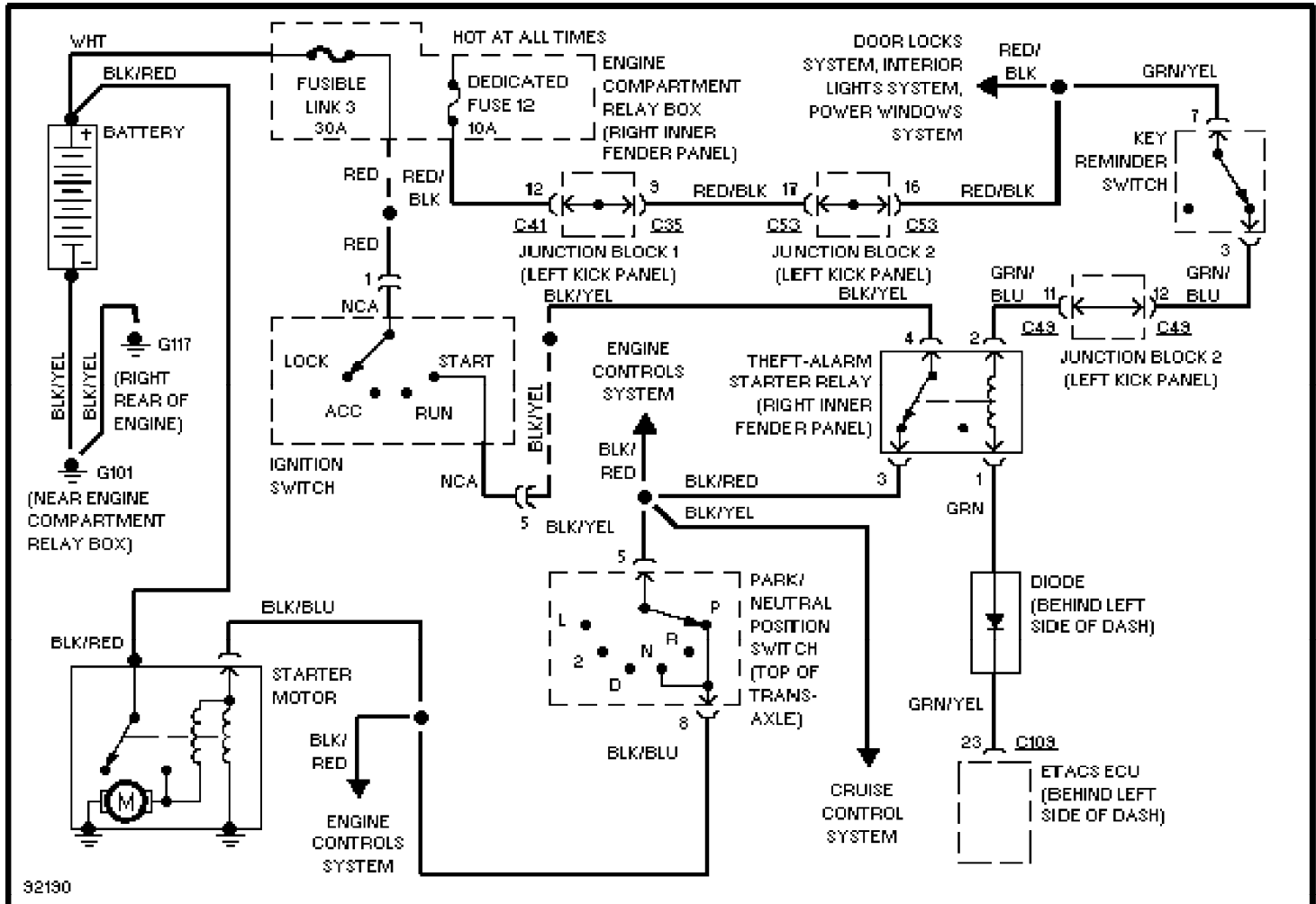
# SYSTEM WIRING DIAGRAMS

## Starting Circuit, W/ Anti-theft (p. 41)

1998 Mitsubishi Galant

For x

Copyright © 1998 Mitchell Repair Information Company, LLC  
Monday, November 01, 2004 12:02PM



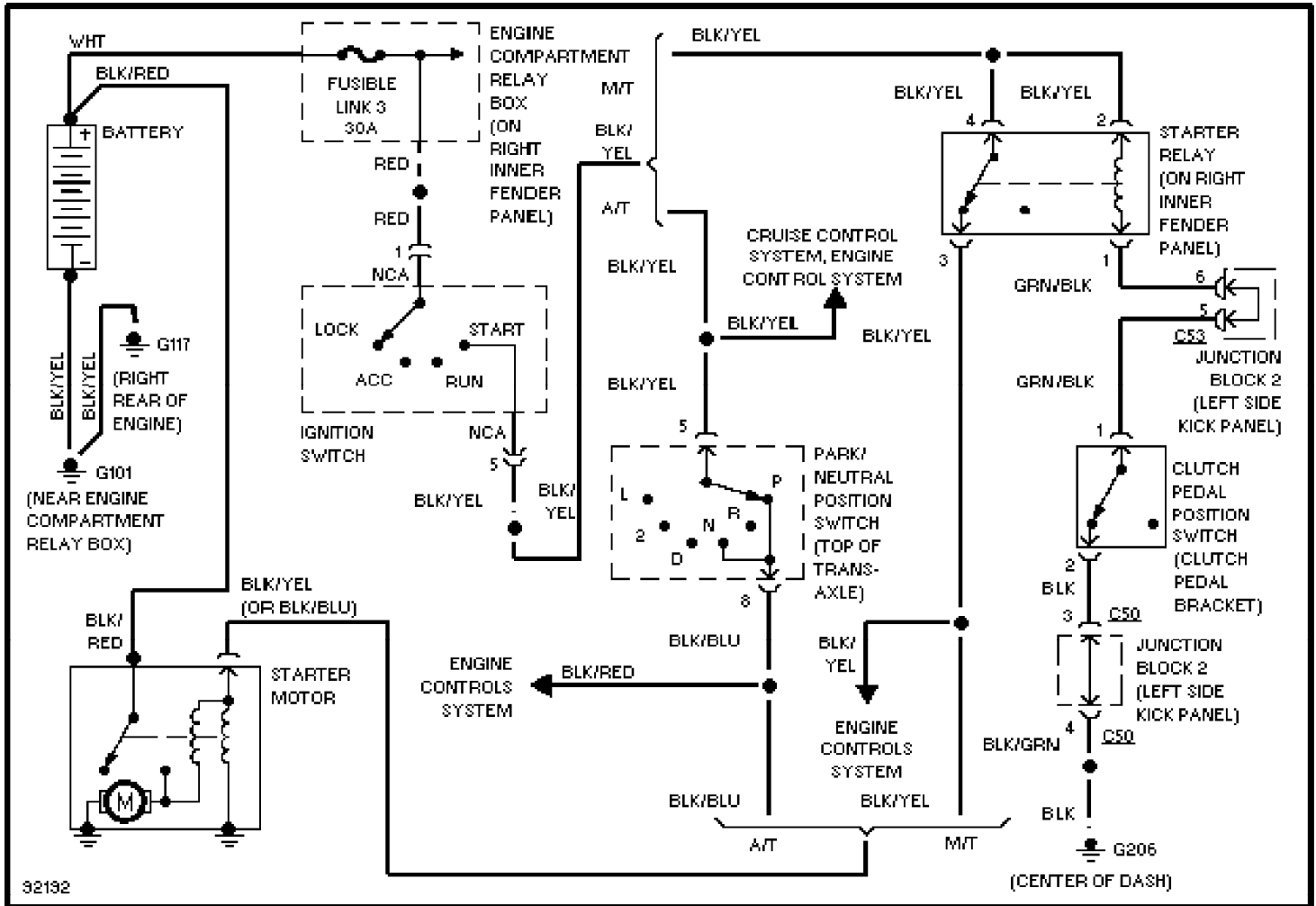
# SYSTEM WIRING DIAGRAMS

## Starting Circuit, W/O Anti-theft (p. 42)

1998 Mitsubishi Galant

For x

Copyright © 1998 Mitchell Repair Information Company, LLC  
Monday, November 01, 2004 12:02PM



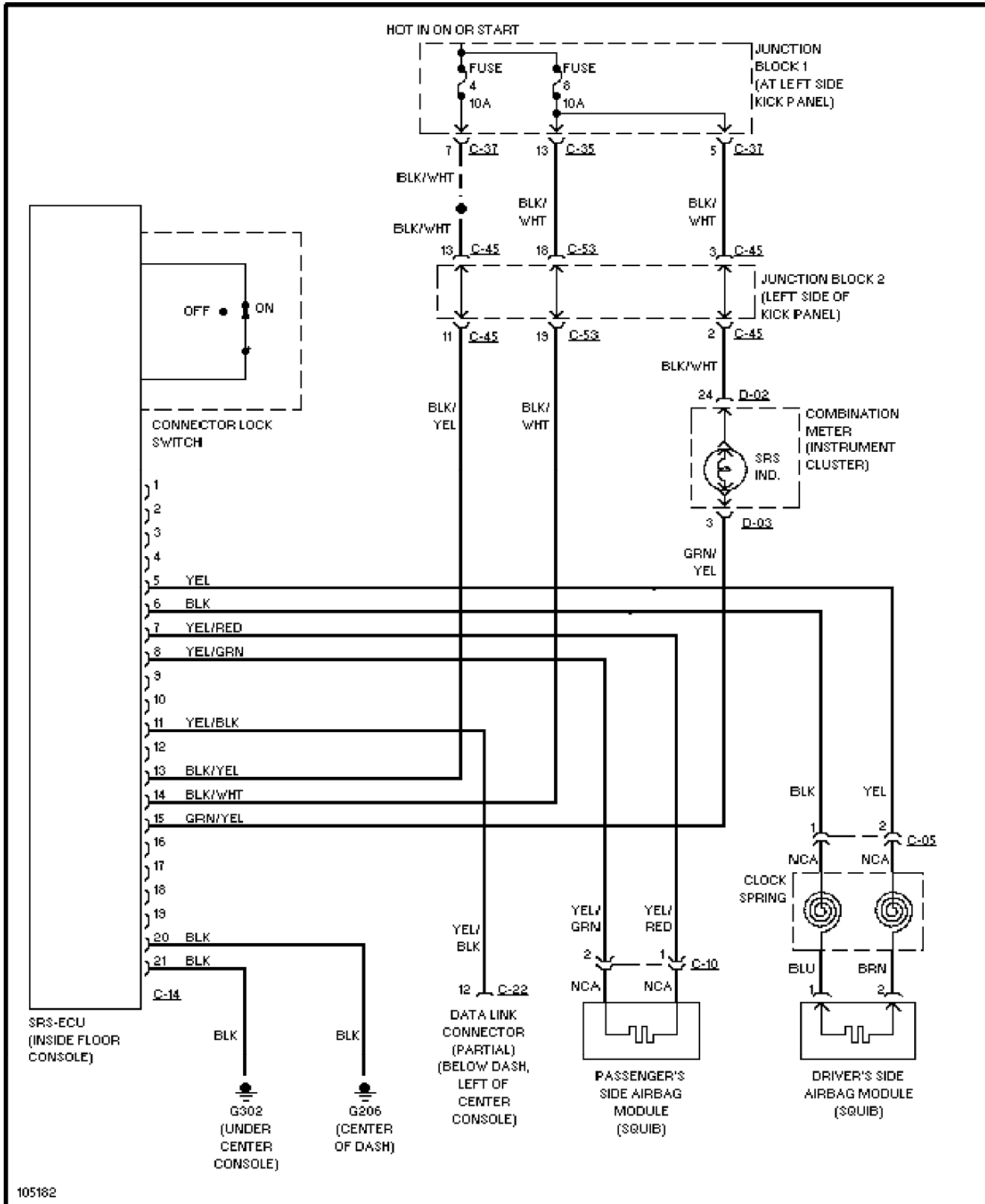
# SYSTEM WIRING DIAGRAMS

## Supplemental Restraint Circuit (p. 43)

1998 Mitsubishi Galant

For x

Copyright © 1998 Mitchell Repair Information Company, LLC  
Monday, November 01, 2004 12:02PM



# SYSTEM WIRING DIAGRAMS

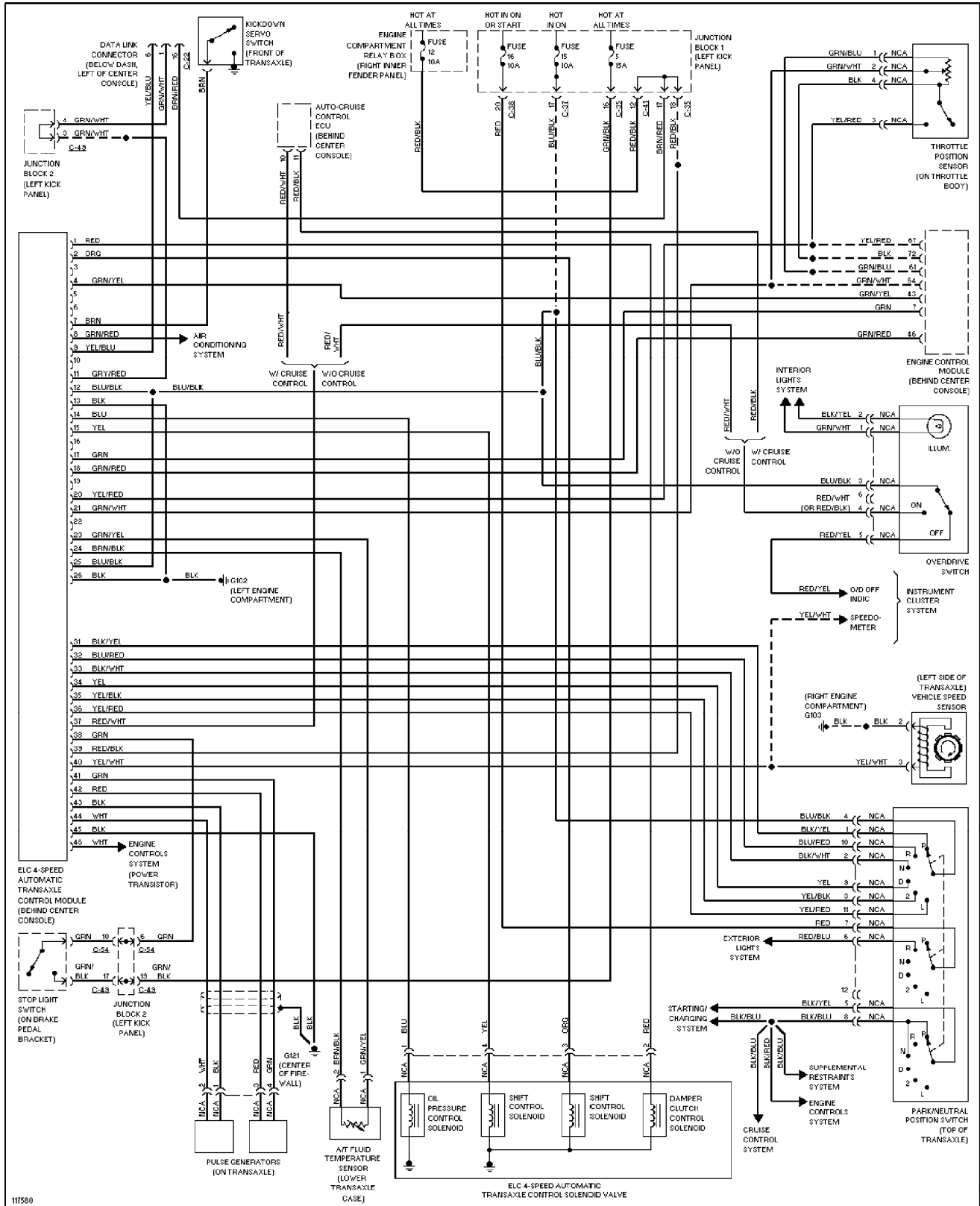
## A/T Circuit (p. 44)

1998 Mitsubishi Galant

For x

Copyright © 1998 Mitchell Repair Information Company, LLC

Monday, November 01, 2004 12:02PM



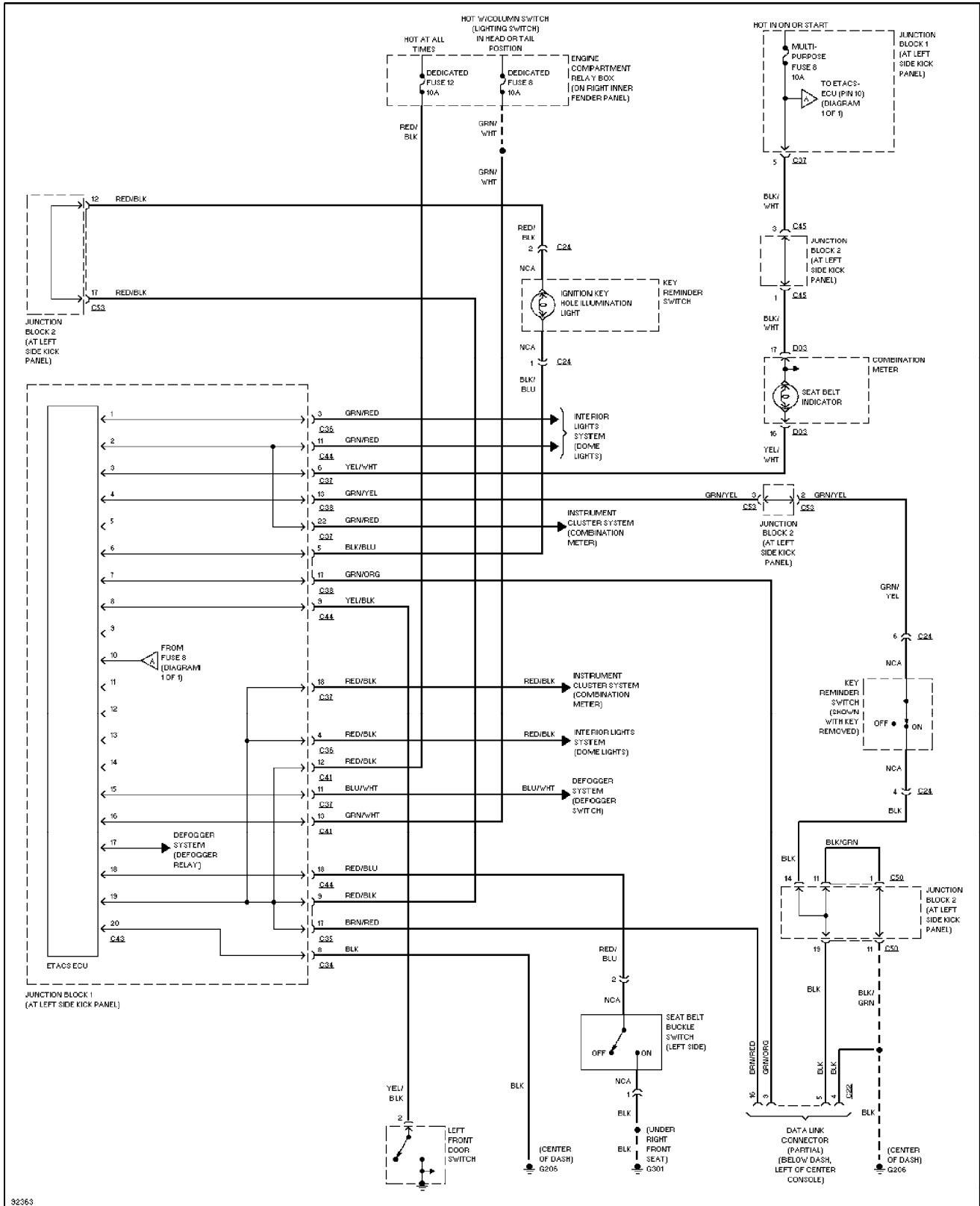
# SYSTEM WIRING DIAGRAMS

## Warning System Circuits, W/ ETACS-ECU (p. 45)

### 1998 Mitsubishi Galant

For x

Copyright © 1998 Mitchell Repair Information Company, LLC  
Monday, November 01, 2004 12:02PM



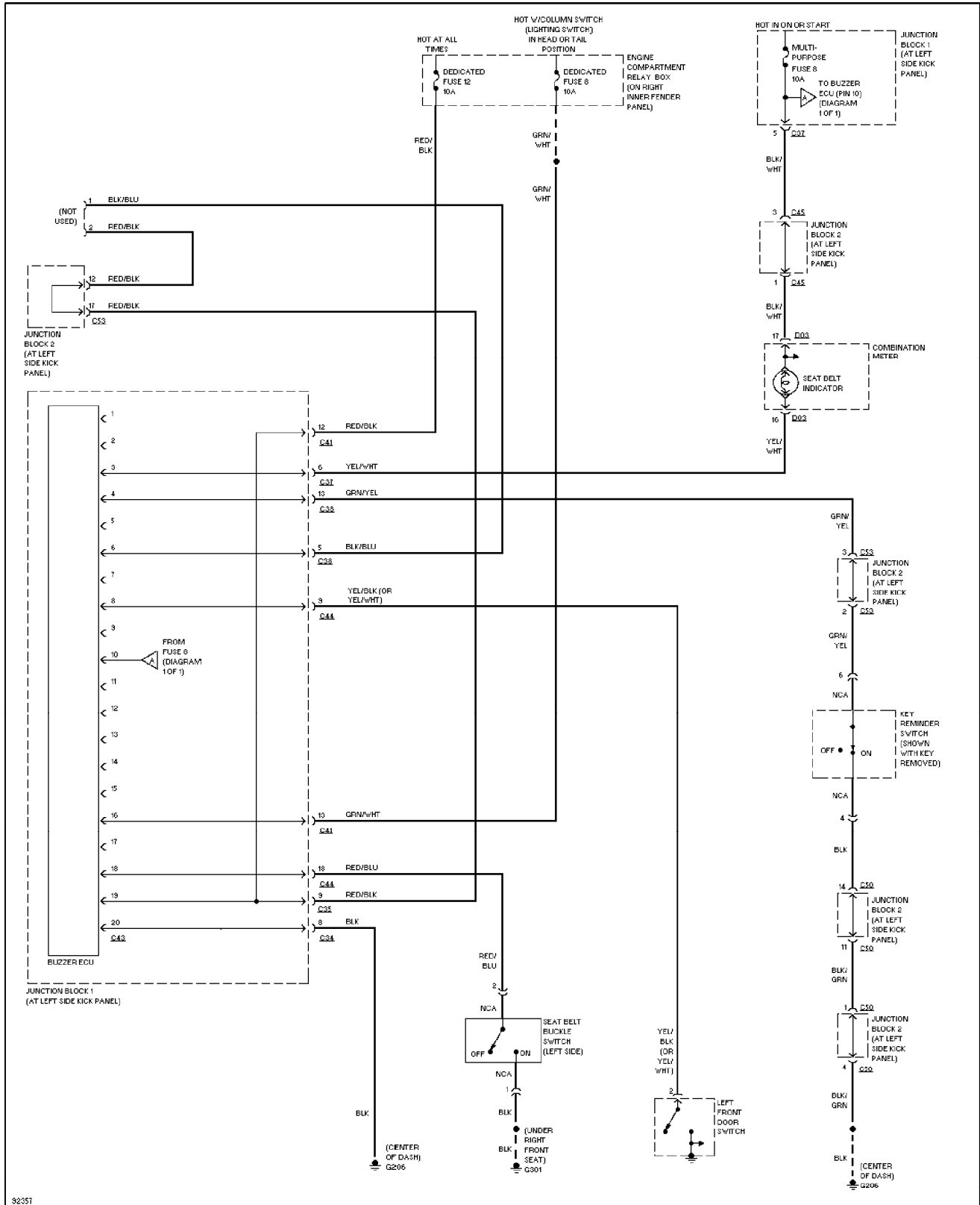
# SYSTEM WIRING DIAGRAMS

## Warning System Circuits, W/O ETACS-ECU (p. 46)

1998 Mitsubishi Galant

For x

Copyright © 1998 Mitchell Repair Information Company, LLC  
Monday, November 01, 2004 12:02PM



# SYSTEM WIRING DIAGRAMS

## Wiper/Washer Circuit (p. 47)

1998 Mitsubishi Galant

For x

Copyright © 1998 Mitchell Repair Information Company, LLC

Monday, November 01, 2004 12:02PM

