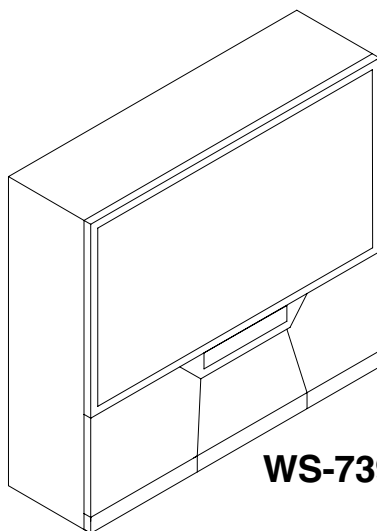




Service Manual

PROJECTION TELEVISION
V17 / V17+ / V17++ CHASSIS



WS-73907

V17 MODELS

WT-46807
WS-55807
WS-65807

V17+ MODELS

WS-55857
WS-65857

V17++ MODELS

WS-55907
WS-65907
WS-73907

CAUTION:

Before servicing this chassis, it is important that the service person read the "SAFETY PRECAUTIONS" and "PRODUCT SAFETY NOTICE" contained in this manual.

SPECIFICATIONS

- | | | | |
|--------------------------|---|-----------------------------|---|
| • Power | : AC 120V, 60Hz, 320W | • Cabinet Dimensions | : [Model] (H)x(W)x(D)
: [WT-46807] 37.4"x41.6"x28"
: [WS-55807] 51.6"x50.6"x28.3"
: [WS-65807] 61.8"x58.7"x27.5"
: [WS-55857] 51.9"x50.7"x28.2"
: [WS-65857] 61.9"x59"x28.2"
: [WS-55907] 51.5"x49.9"x28.1"
: [WS-65907] 61.6"x58.2"x28.2"
: [WS-73907] 65.7"x64.3"x29.8" |
| • Frequency Range | : VHF 54 ~ 470MHz
UHF 470 ~ 806MHz | • Input Level | : VIDEO IN JACK (RCA Type)
1.0Vp-p 75Ω unbalanced
: AUDIO IN JACK (RCA Type)
-4.7dBm 43kΩ unbalanced
: S-VIDEO IN JACK
(Y/C separate type)
Y: 1.0 Vp-p C: 0.286Vp-p (BURST)
75Ω unbalanced
: DVD / Y, Cr, Cb (RCA Type)
Y: 1.0 Vp-p Cr, Cb: 700mVp-p
: ATV / Y(G), Pr(R), Pb(B), H, V
Y: 1.0Vp-p with sync 75Ω (BNC)
Pr, Pb: 700mV 75Ω
H, V: 3.0Vp-p 75Ω |
| • Antenna Input | : VHF/UHF 75Ω unbalanced
Single axis input | • Output Level | : VIDEO OUT JACK (RCA Type)
1.0Vp-p 75Ω unbalanced
: AUDIO OUT JACK (RCA Type)
-4.7dBm 4.7kΩ unbalanced |
| • CRT Size | : [WT-46807 / WS-55807 / WS-65807
WS-55857 / WS-65857 / WS-55907
WS-65907] 7 inches [WS-73907] 9 inches | | |
| • High Voltage | : 32.0kV (at 0A) | | |
| • Speaker | : [WT-46807 / WS-55807 / WS-65807
WS-55857 / WS-65857]
5" round type, full range 2 pcs. (8Ω 10W)
: [WS-55907 / WS-65907 / WS-73907]
5" round type, full range 2 pcs. (8Ω 10W)
2" round type, tweeter 2 pcs. (8Ω 10W) | | |
| • Weight | : [WT-46807] 121 lbs
: [WS-55807] 250 lbs
: [WS-65807] 323 lbs
: [WS-55857] 243.5 lbs
: [WS-65857] 321.5 lbs
: [WS-55907] 256 lbs
: [WS-65907] 348 lbs
: [WS-73907] 405 lbs | | |
- Weight and dimensions shown are approximate.
• Design specifications are subject to change without notice.

MITSUBISHI DIGITAL ELECTRONICS AMERICA, INC.

9351 Jeronimo Road, Irvine, CA 92618-1904

Copyright © 2000 Mitsubishi Digital Electronics America, Inc.

All Rights Reserved

CONTENTS

INTRODUCTION	5
PRODUCT SAFETY NOTICE	5
SAFETY PRECAUTIONS	6
DISASSEMBLY	
Cabinet Disassembly (Front View)	
WT-46807	7
WS-55807 / WS-65807	8
WS-55857 / WS-65857	9
WS-55907 / WS-65907 / WS-73907	10
Cabinet Disassembly (Rear View)	
WT-46807	11
WS-55807 / WS-55857 / WS-55907 / WS-65807 / WS-65857 /	
WS-65907 / WS-73907	12
Cabinet Separation Procedure WS-65807 / WS-65857 / WS-65907 / WS-73907	13
SERVICING THE LENTICULAR SCREEN AND FRESNEL LENS	
Lenticular Screen and Fresnel Lens Removal	
WS-55807 / WS-65807	14
WS-55857 / WS-55907 / WS-65857 / WS-65907 / WS-73907 / WT-46807	15
Lenticular Screen and Fresnel Lens Installation	
	16
SERVICING THE DIAMONDSHIELD™	
DiamondShield™ Removal / Installation	17
SERVICING PCBs	
PCB Locations and Chassis Removal	18
Main Component Locations	18
CRT REPLACEMENT	
CRT Removal	19
CRT Installation	20
ELECTRICAL ADJUSTMENTS	
Test Equipment	22
Initial Setup	22
Self Diagnostics	24
Circuit Adjustment Mode	24
Convergence Adjustment Mode	26
E2PROM Replacement	28
Adjustment Items List	28
Adjustment Test Points	31
Adjustment Procedures	32
Audio Circuit	32
High Voltage Regulation	33
Main/Sub Y Level	33
Side by Side Sub Picture Tint	34
Side by Side Sub Picture Color	34
CRT Cutoff	35
White Balance (NTSC)	35
White Balance (HD)	36
Cb, Cr Offset	36
Black Level	37

Sub Contrast	37
Dynamic Focus Preset	38
Electrostatic Focus	38
Lens Focus	39
Character Position	39
Deflection/Convergence Geometry Presets	40
Deflection Circuit Geometry Adjustments	41
Convergence Circuit Geometry Adjustments	42
Centering and Static Convergence	43
Coarse Convergence Adjustments	44
Fine Convergence Adjustments	45
CHIP PARTS REPLACEMENT	46
REPLACEMENT PARTS	
Parts Ordering	47
Critical and Warranty Parts Designation	47
Parts Tolerance Codes	47
Quick Reference List	48
Service Parts List	49
CIRCUITRY BLOCK DIAGRAMS	
Standby Supply Regulator	66
Switched Supply Regulator	67
Video / Color A/V Switch Circuit	68
Video / Color Signal Path	69
Sync Signal Path	70
Deflection / HV	71
X-Ray Protect.....	71
Sound Circuit	72
Convergence	73
Control Circuit	74

Section 2 ... Schematic Diagrams

SCHEMATIC DIAGRAMS	
Overall Block Diagram	1
PCB-POWER	2
PCB-MAIN	3
PCB-SIGNAL (AV/I-O)	4
PCB-SIGNAL (MICRO)	5
PCB-SIGNAL (VC/SW)	6
PCB-2HDW (IN)	7
PCB-2HDW (MAIN)	8
PCB-2HDW (OUT)	9
PCB-TERMINAL	10
PCB-CONVERGENCE GENERATOR/JUNGLE	11
PCB-3DYC/MAIN DECODER	12
PCBs - CRT/CONTROL/PREAMP/DBF/FRONT/DISPLAY	13
PCB-BMP (1)	14
PCB-BMP (2)	15
PCB LAYOUT DIAGRAMS	16

INTRODUCTION

This service manual provides service instructions for PTV Models WT-46807, WS-55807 and WS-65807 which use the V17 chassis, PTV Models WS-559857, and WS-65857 which use the V17+ chassis, and PTV Models WS-55907, WS-65907 and WS-73907 which use the V17++ chassis. Service personnel should read this manual thoroughly before servicing these chassis.

This service manual includes:

1. Assembly and disassembly instructions for the front and rear cabinet components.
2. Servicing of the Lenticular Screen and Fresnel Lens.
3. Servicing printed circuit boards (PCBs).
4. CRT replacement procedure.
5. Electrical adjustments.
6. Chip parts replacement procedures.
7. Circuit path diagrams.

The parts list section of this service manual includes:


1. Cabinet and screen parts.
2. Electrical parts.

Schematic and block diagrams of the above listed models are included in this service manual for better understanding of the circuitry. PCB drawings are also included for easy location of parts and test points.

PRODUCT SAFETY NOTICE

Many electrical and mechanical parts in television receivers have special safety related characteristics. These characteristics are often not evident from visual inspection nor can the protection afforded by them necessarily be obtained by using replacement components rated for higher voltage, wattage, etc.

Replacement parts which have special safety characteristics are identified in this service manual.

Electrical components having such features are identified by shading  in the schematics and by **bold type** in the parts list of this service manual. **The replacement for any safety part should be identical in value and characteristics.**

SAFETY PRECAUTIONS

NOTICE: Observe all cautions and safety related notes located inside the receiver cabinet and on the receiver chassis.

WARNING:

1. Operation of this receiver outside the cabinet or with the cover removed presents a shock hazard from the receiver's power supplies. Work on the receiver should not be attempted by anyone who is not thoroughly familiar with the precautions necessary when working on high voltage equipment.
2. Do not install, remove or handle the picture tubes in any manner unless shatterproof goggles are worn. People not so equipped should be kept away while the picture tube is being handled. Keep the picture tube away from the body while handling.
3. When service is required, observe the original lead dress. Extra precaution should be taken to assure correct lead dress in the high voltage area. Where a short-circuit has occurred, replace those components that indicate evidence of overheating.

X-Radiation warning

The surface of the cathode ray tubes (CRTs) may generate X-Radiation, so take proper precautions when servicing. It is recommended that a lead apron be used for shielding while handling the CRT. Use this method if possible.

When replacing the CRTs, use only the designated replacement part since it is a critical component with regard to X-Radiation. High voltage must be set as prescribed under the section titled Electrical Adjustments.

Leakage current check

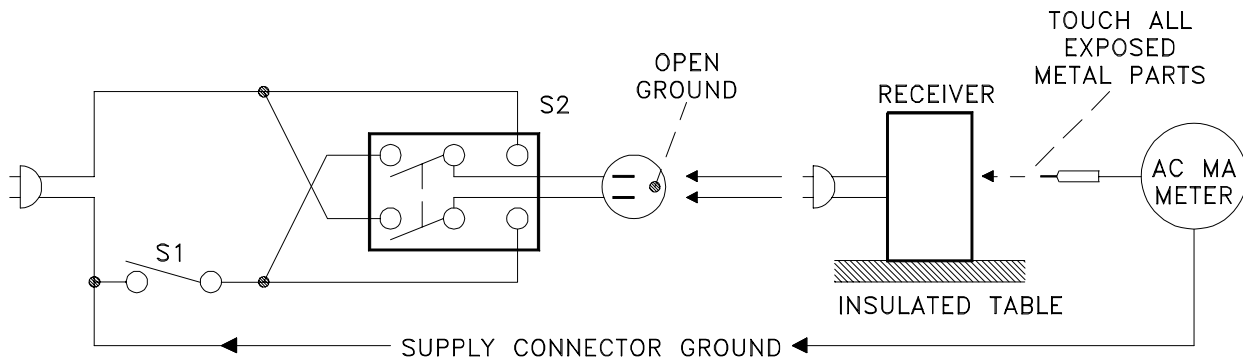
Before returning the receiver to the customer, it is recommended that leakage current be measured according to the following methods.

1. Cold Check

With the alternating current (AC) plug removed from the AC source, place a jumper across the two AC plug prongs. Connect one lead of an ohm meter to the AC plug and touch the other lead to each exposed metal part (i.e. antennas, handle bracket, metal cabinet, screw heads, metal overlay, control shafts, etc.), particularly any exposed metal part that has a return path to the chassis. The resistance of the exposed metal parts having a return path to the chassis **should be a minimum of 1 Mega Ohm**. Any resistance below this value indicates an abnormal condition and requires corrective action.

2. Hot Check ...Use the circuit shown below to perform the hot check test.

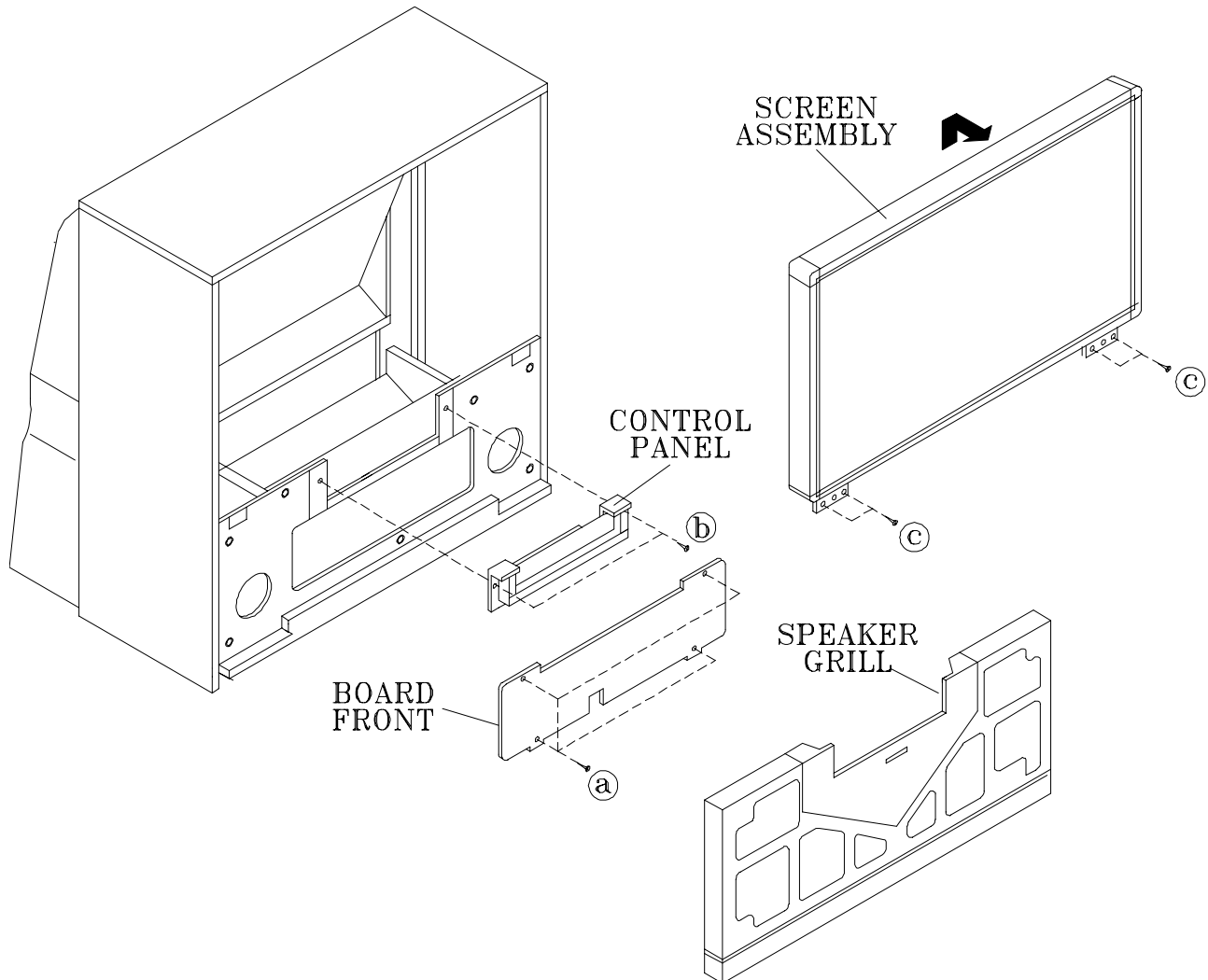
1. Keep switch S1 open and connect the receiver to the measuring circuit. Immediately after connection, and with the switching devices of the receiver in their operating positions, measure the leakage current for both positions of switch S2.
2. Close switch S1, energizing the receiver. Immediately after closing switch S1, and with the switching devices of the receiver in their operating positions, measure the leakage current for both positions of switch S2. Repeat the current measurements of items 1 and 2 after the receiver has reached thermal stabilization. **The leakage current must not exceed 0.5 milliampere (mA).**



CABINET DISASSEMBLY (FRONT VIEW)

WT-46807

*Refer to the Parts List for Part Numbers



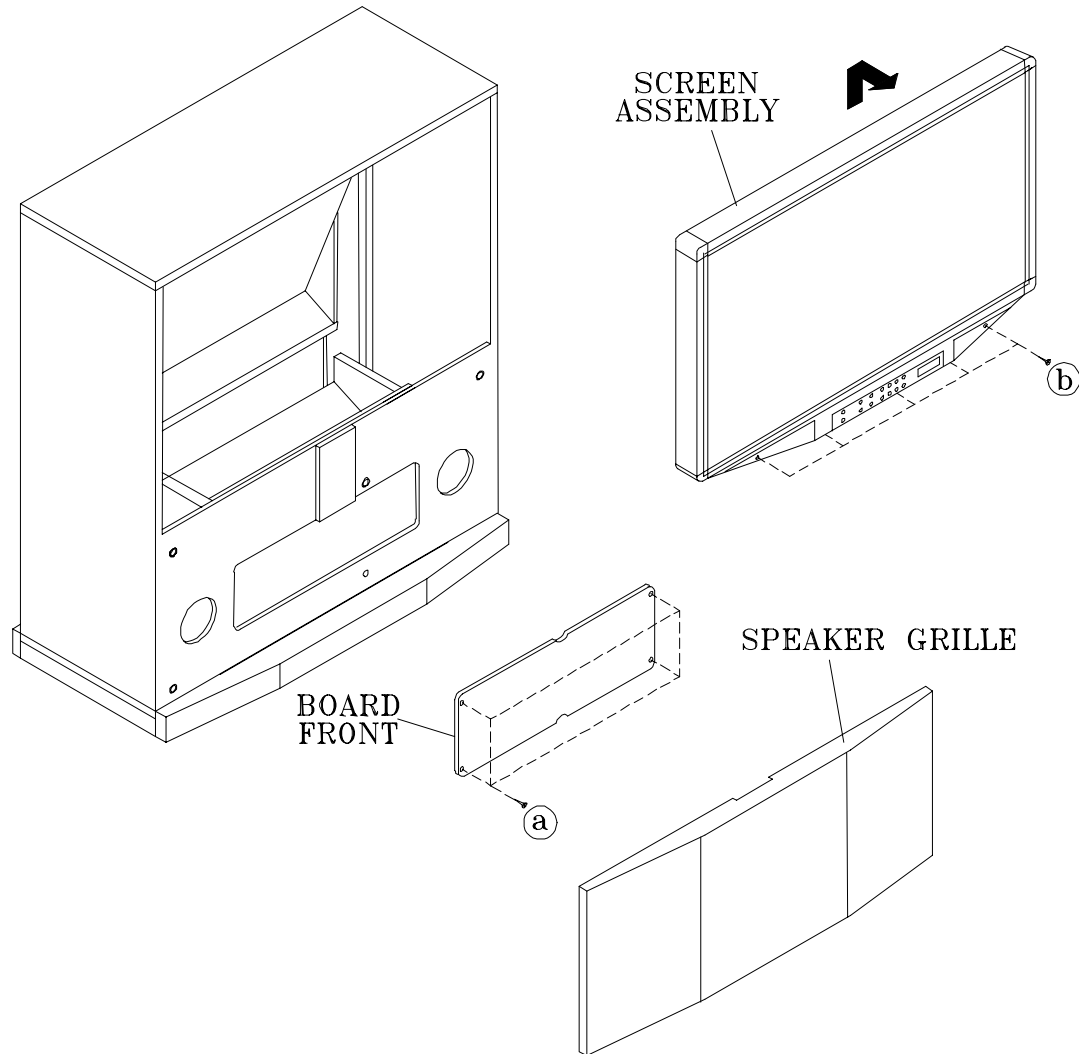
1a. Front Cabinet Disassembly

1. Remove the Speaker Grille by pulling forward.
2. Remove 2 screws (b) to remove the Control Panel.
3. Remove the Board Front by removing 4 screws (a).
4. Remove the 4 screws (c) holding the Screen Assembly.
5. Lift the Screen Assembly up and away from the cabinet.

CABINET DISASSEMBLY (FRONT VIEW)

WS-55807 / WS-65807

*Refer to the Parts List for Part Numbers



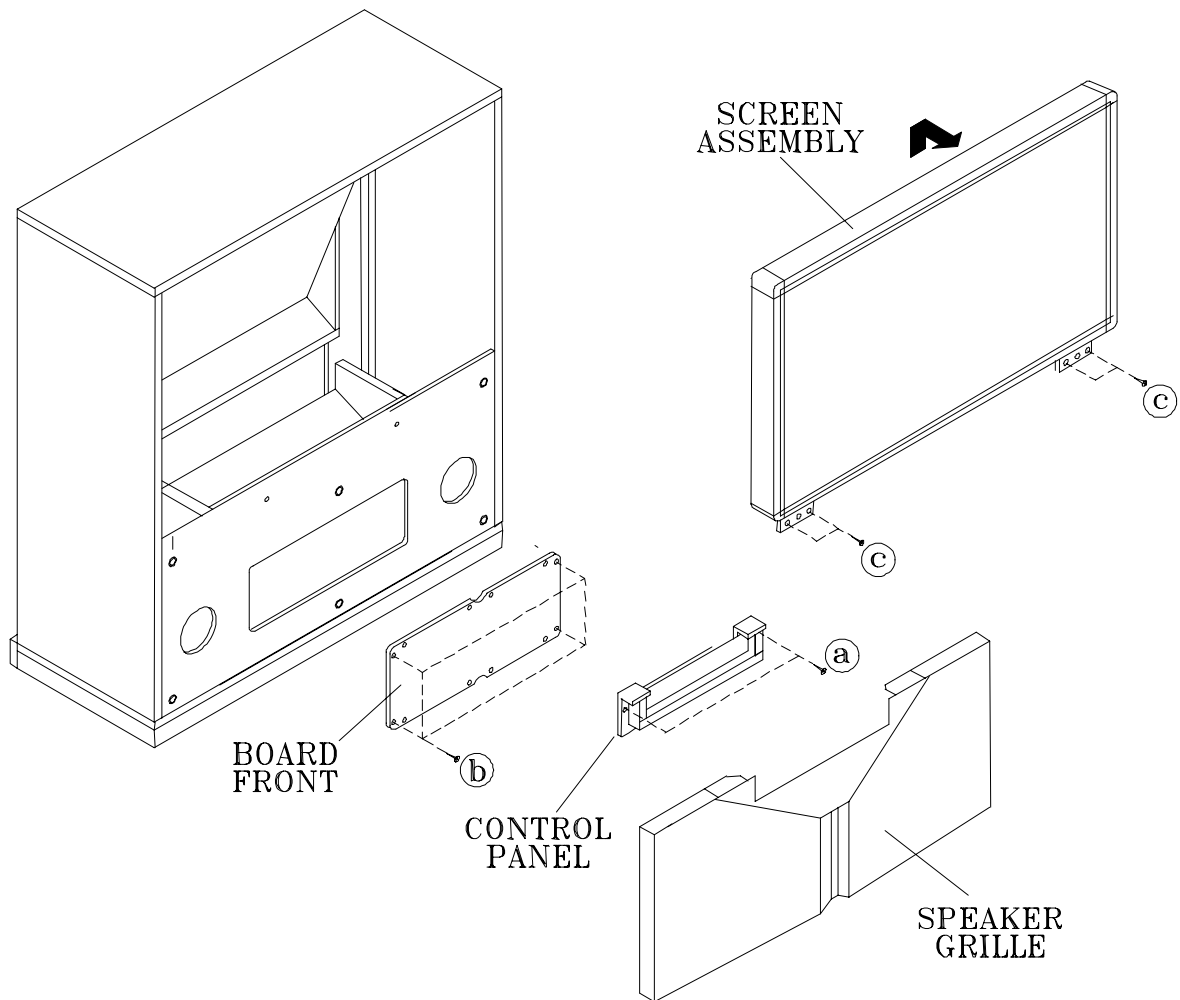
1b. Front Cabinet Disassembly

1. Remove the Speaker Grille by pulling forward.
2. Remove the Board Front by removing 4 screws (a).
3. Remove the 5 screws (b) holding the Screen Assembly.
4. Lift the Screen Assembly up and away from the cabinet.

CABINET DISASSEMBLY (FRONT VIEW)

WS-55857 / WS-65857

*Refer to the Parts List for Part Numbers



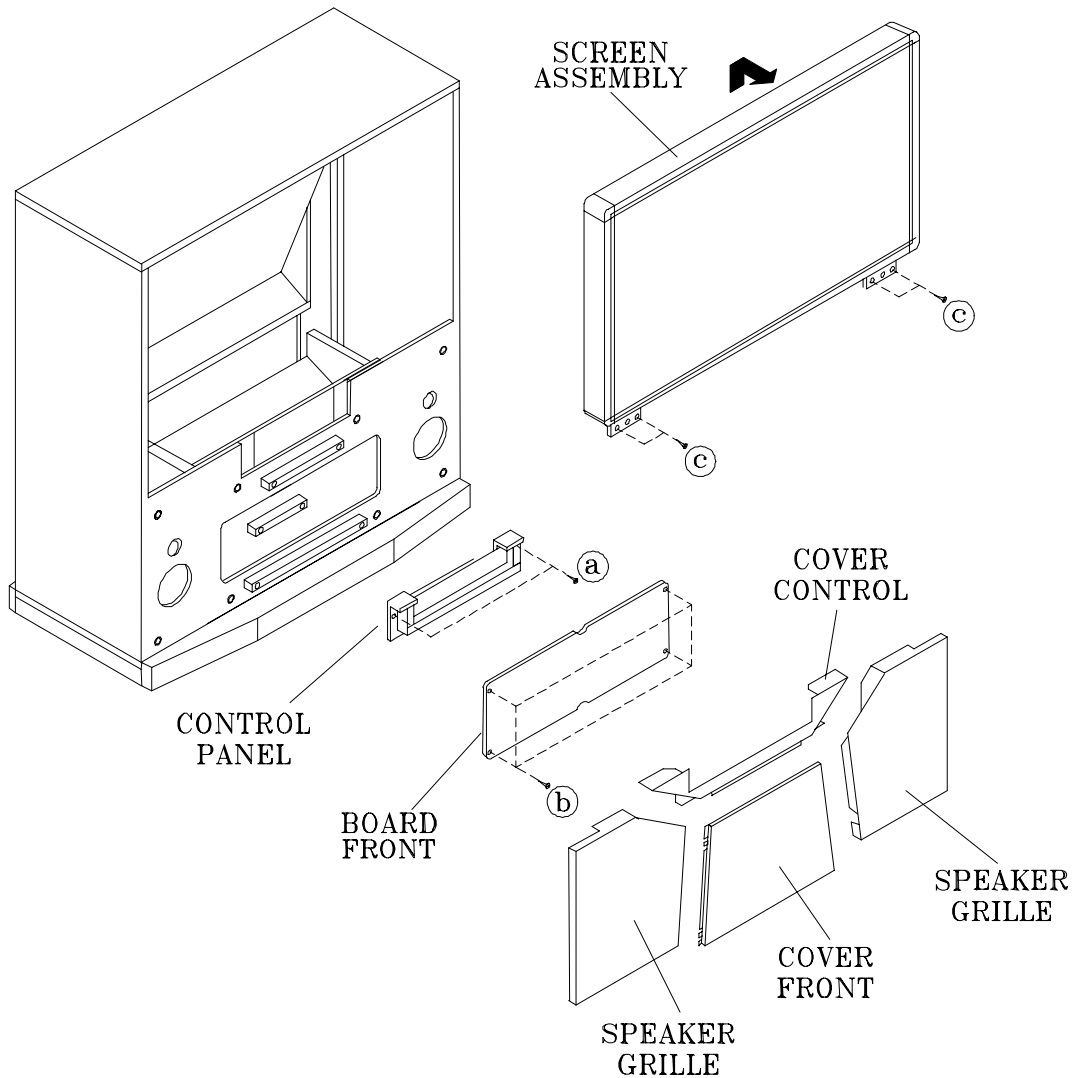
1c. Front Cabinet Disassembly

1. Remove the Speaker Grille by pulling forward.
2. Remove 2 screws (a) to remove the Control Panel.
3. Remove the Board Front by removing 4 screws (b).
4. Remove the 4 screws (c) holding the Screen Assembly.
5. Lift the Screen Assembly up and away from the cabinet.

CABINET DISASSEMBLY (FRONT VIEW)

WS-55907 / WS-65907 / WS-73907

*Refer to the Parts List for Part Numbers



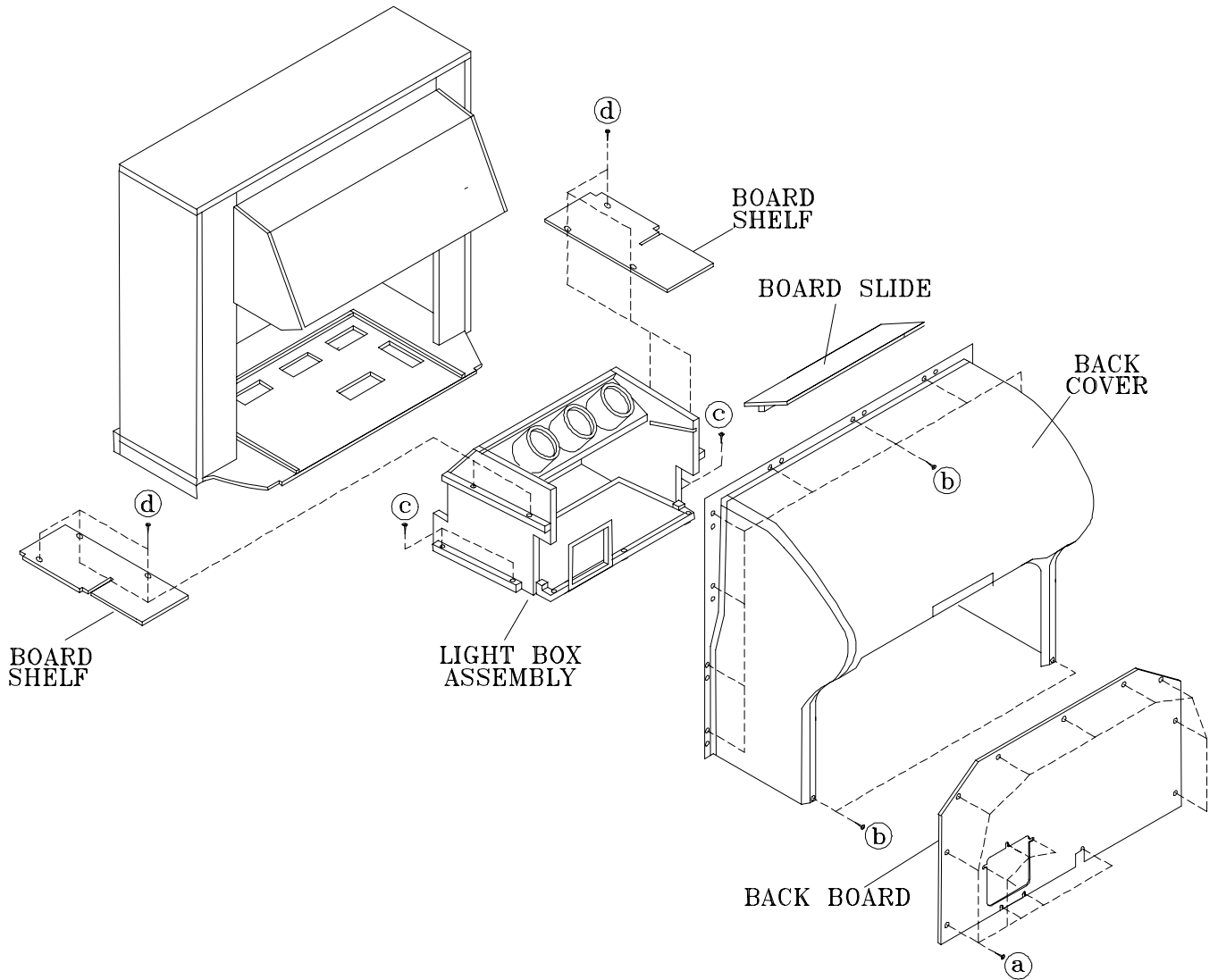
1d. Front Cabinet Disassembly

1. Remove the Cover Front, the two Speaker Grilles and Cover Control by pulling forward.
2. Remove 2 screws (a) to remove the Control Panel.
3. Remove the Board Front by removing 4 screws (b).
4. Remove the 4 screws (c) holding the Screen Assembly.
5. Lift the Screen Assembly up and away from the cabinet.

CABINET DISASSEMBLY (REAR VIEW)

WT-46807

***Refer to the Parts List for Part Numbers**



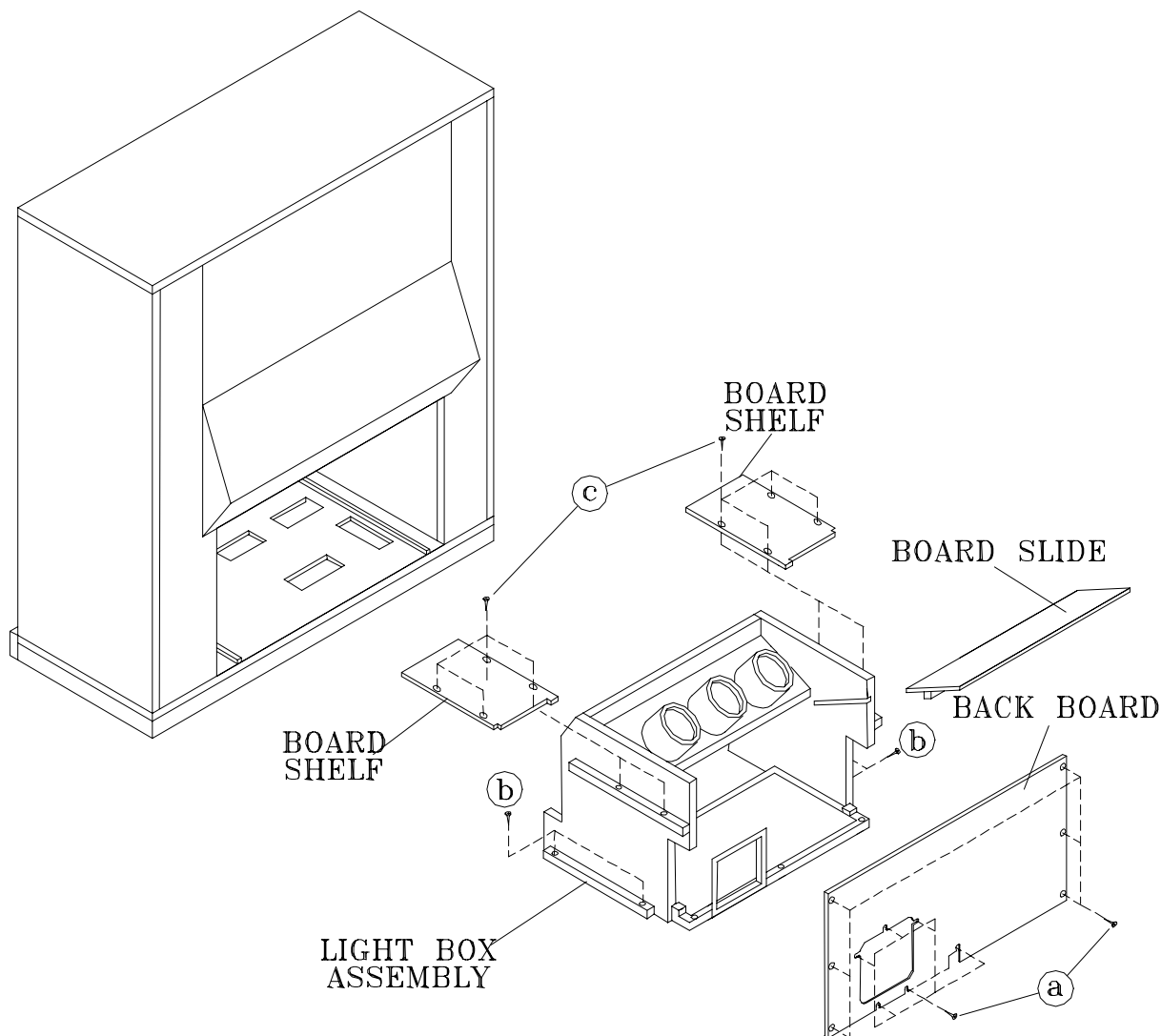
2a. Rear Cabinet Disassembly

1. Remove 15 screws (a) holding the Back Board.
2. Remove the 13 screws (b) holding the Back Cover.
3. Remove the 3 screws (d) securing each Board Shelf.
3. Remove the 4 screws (c) securing the Light Box Assembly.
4. Slide the Light Box out the rear of the Cabinet.

CABINET DISASSEMBLY (REAR VIEW)

WS-55807 / WS-55857 / WS-55907 / WS-65807 / WS-65857 / WS-65907 / WS-73907

*Refer to the Parts List for Part Numbers



2b. Rear Cabinet Disassembly

1. Remove 12 screws (a) holding the Back Board.
2. Remove the 4 screws (c) holding each Board Shelf.
3. Remove the 4 screws (b) securing the Light Box Assembly.
4. Slide the Light Box out the rear of the Cabinet.

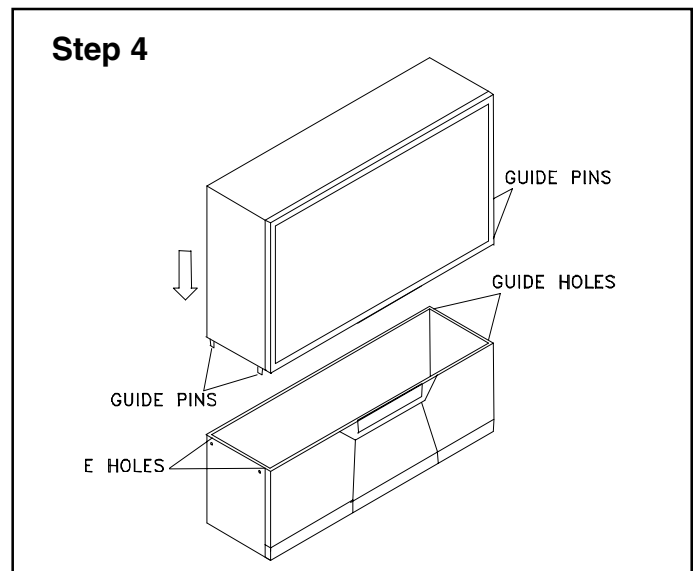
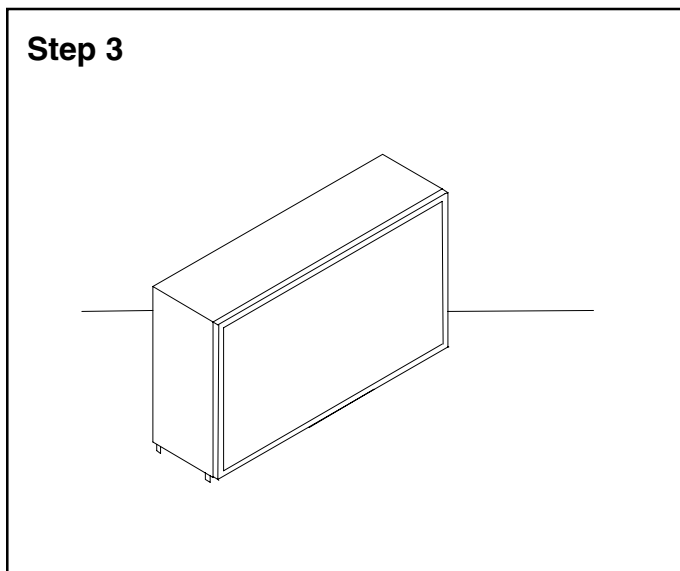
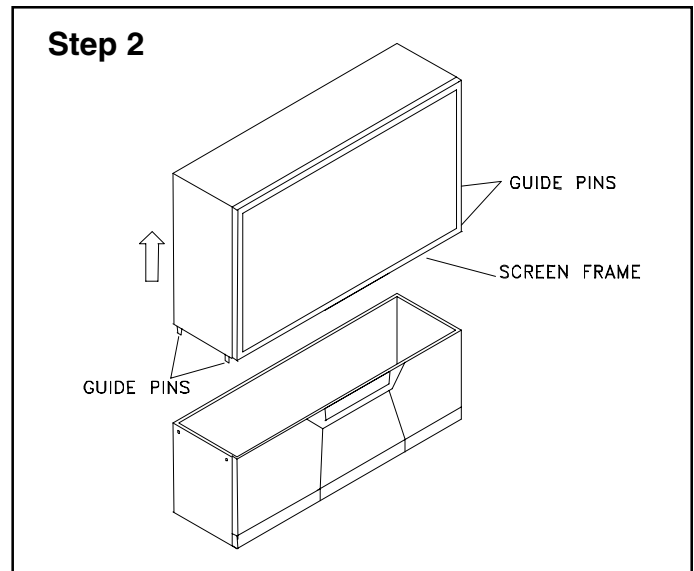
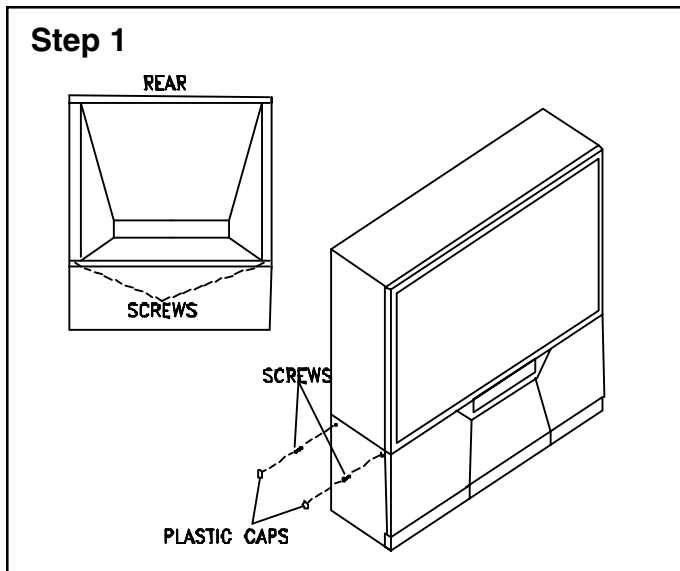
CABINET SEPARATION PROCEDURE

MODELS: WS-65807, WS-65857, WS-65907, WS-73907

The cabinets for the above models are assembled in two pieces. The two pieces may be separated to allow easier delivery and setup. The following instructions show how to safely separate and re-attach the cabinets.

Note: *The guide pins under the cabinet top are prone to breakage if mishandled. Be sure to keep the cabinet top straight when removing, setting down and re-installing, being careful not to tilt backward or forward on the guide pins.*

- 1) Remove the lower screw from each side of the TV back. On both sides, pull off the two plastic caps, and remove the two exposed screws.
- 2) Lift the cabinet top straight up until the guide pins clear the holes in the bottom cabinet. **DO NOT** use the screen frame when lifting the cabinet top.
- 3) Carefully place the cabinet top onto the floor.
- 4) When reassembling, set the cabinet top on the bottom. Be sure the guide pins align with the holes in the cabinet bottom. Keep your fingers clear of the edges being joined. Replace the caps and screws that were removed in step 1.



SERVICING THE LENTICULAR SCREEN AND FRESNEL LENS

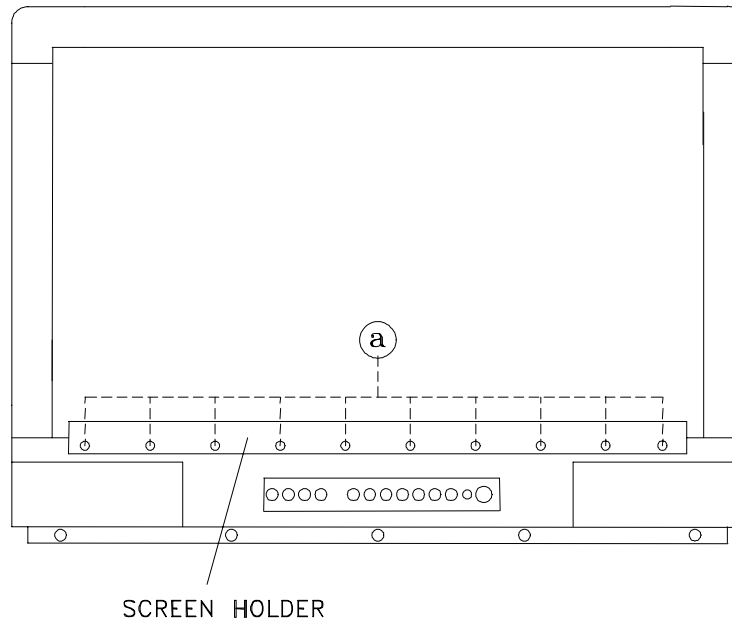
CAUTION: **Wear gloves** when handling the Lenticular Screen and Fresnel Lens.
This prevents cuts and finger prints. **Do not place Fresnel Lens in the sun.**
This may cause fire and heat related injuries.

WS-55807 / WS-65807

1a. Lenticular Screen and Fresnel Lens Removal

1. Remove the screen assembly as shown in the Cabinet Disassembly procedure.
2. Remove the screws (a) securing the Screen Holder.
3. Slide the Lenticular Screen and Fresnel Lens from the Screen Frame.

Note: When separating the Lenticular Screen from the Fresnel Lens, use caution while prying the Screen and Lens apart. Use a slot type screw drive, and remove the pressure sensitive double sided tape.



SERVICING THE LENTICULAR SCREEN AND FRESNEL LENS

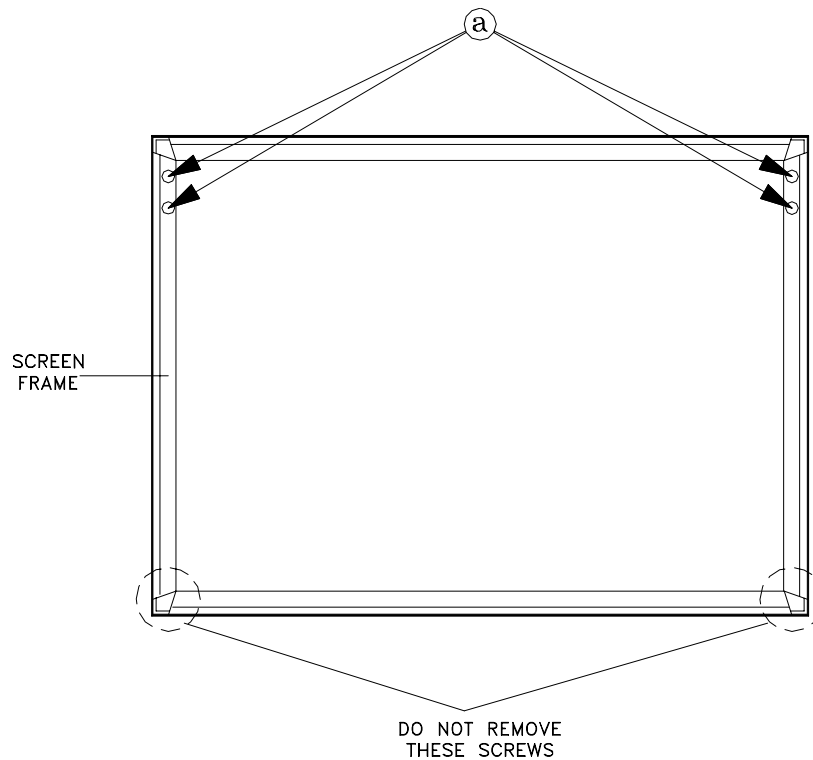
CAUTION: **Wear gloves** when handling the Lenticular Screen and Fresnel Lens. This prevents cuts and finger prints. **Do not place Fresnel Lens in the sun.** This may cause fire and heat related injuries.

WS-55857 / WS-65857 / WS-55907 / WS-65907 / WS-73907 / WT-46807

1a. Lenticular Screen and Fresnel Lens Removal

1. Remove the screen assembly as shown in the Cabinet Disassembly procedure.
2. Remove the Screen Frame top section by removing 4 screws (a).
3. Carefully grasp the Lenticular Screen and Fresnel Lens combination and pull upward and out of the Screen Frame Assembly.

Note: When separating the Lenticular Screen from the Fresnel Lens, use caution while prying the Screen and Lens apart. Use a slot type screw drive, and remove the pressure sensitive double sided tape.

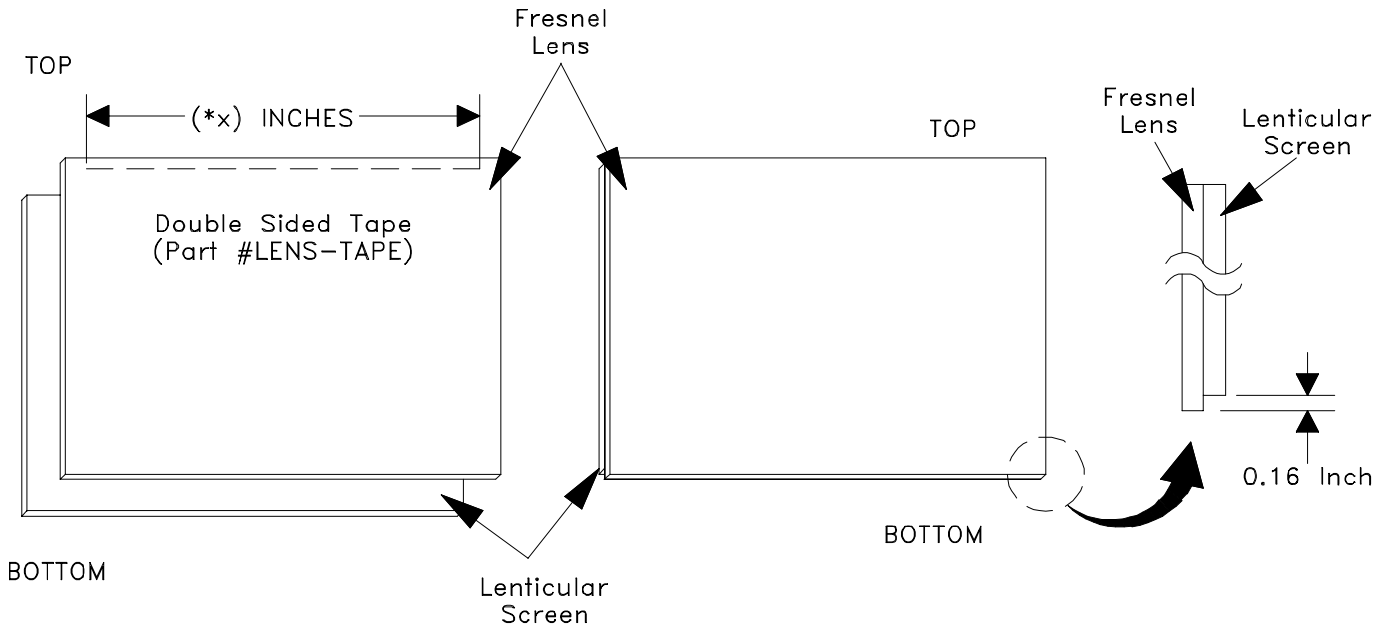


SERVICING THE LENTICULAR SCREEN AND FRESNEL LENS

2. Lenticular Screen and Fresnel Lens Installation.

Note: Store the Lenticular Screen and Fresnel Lens in a cool dry place. High humidity may deform the Lenticular Screen and Fresnel Lens.

1. Apply double coated tape (Part # LENS-TAPE) along the top front edge of the Fresnel Lens as shown below. Refer to the Table below for proper tape length.
2. Place the Fresnel Lens on top of the Lenticular Screen and apply pressure at the top edge to bond them together as shown below.



Model	Screen Size	Tape Length
WT-46807	46"	40"
WS-55807	55"	47.8"
WS-55857	55"	47.8"
WS-65807	65"	56.5"
WS-65857	65"	56.5"
WS-65907	65"	56.5"
WS-73907	73"	63.5"

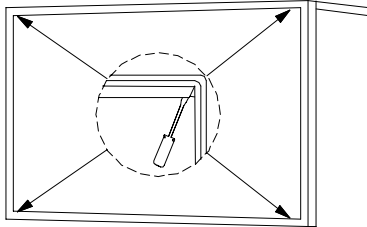
SERVICING THE DIAMONDSHIELD™

1. DiamondShield™ Removal Procedure

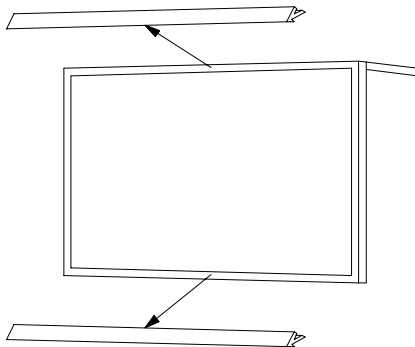
The location of the DiamondShield™ molding clips varies between models, top and bottom, or sides. Use the appropriate disassembly procedure given below.

Note: *Wear gloves when handling the DiamondShield™ to prevent finger prints.*

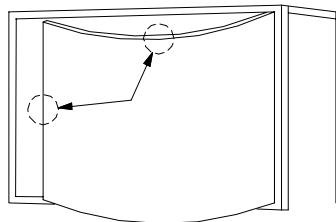
Top & Bottom Molding Clips



1. Gently insert a small screwdriver between the DiamondShield™ and one end of the clip to pry the clip loose.

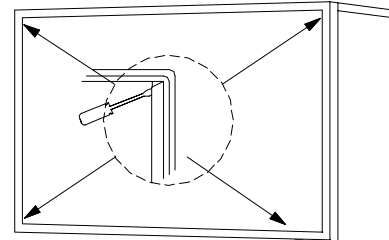


2. Remove both clips by pulling them toward you.

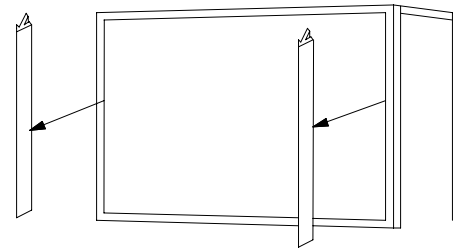


3. Carefully insert a small screwdriver into the gap at the top/center point of the Shield and pull the Shield slightly away from the unit. Place your hands at the points shown and gently bow the Shield toward you and remove from the unit. Then re-install the two clips.

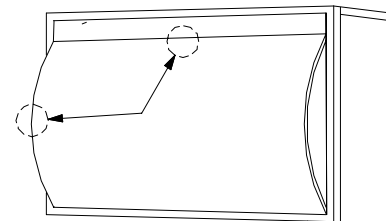
Side Molding Clips



1. Gently insert a small screwdriver between the DiamondShield™ and one end of the clip to pry the clip loose.



2. Remove both clips by pulling them toward you.



3. Carefully insert a small screwdriver into the gap at the side/center point of the Shield and pull the Shield slightly away from the unit. Place your hands at the points shown and gently bow the Shield toward you and remove from the unit. Then re-install the two clips.

2. DiamondShield™ Installation Procedure

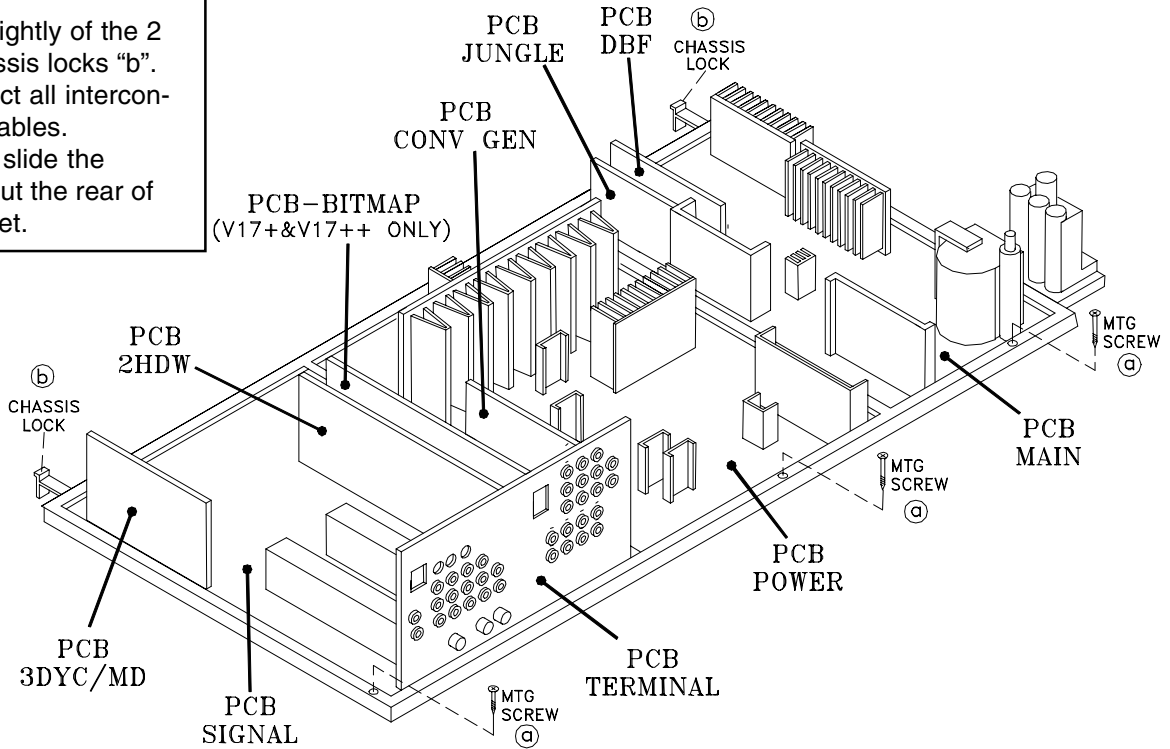
*(See the Parts List for DiamondShield™ part numbers)

To install the DiamondShield™, reverse the above Removal Procedure.

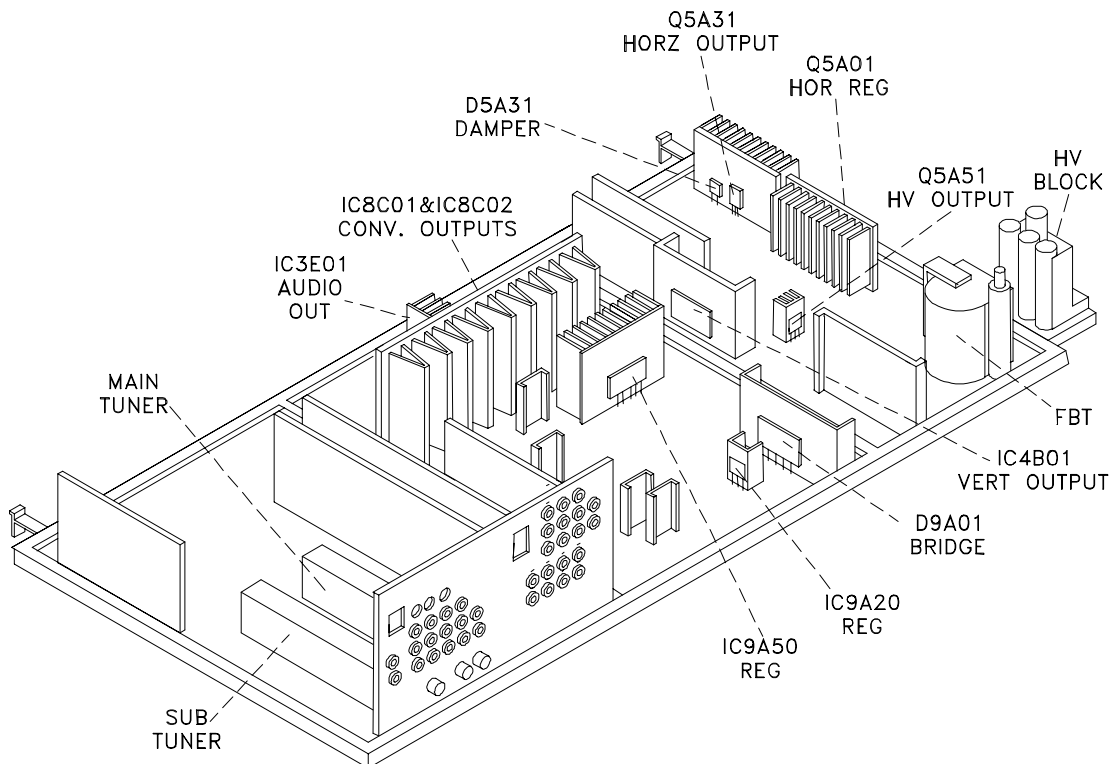
PCB Locations and Chassis Removal

Chassis Removal

- 1) Remove the 3 screws "a" securing the rear of the chassis.
- 2) Pull up slightly of the 2 front chassis locks "b".
- 3) Disconnect all interconnecting cables.
- 4) Carefully slide the chassis out the rear of the cabinet.



Main Component Locations



CRT REPLACEMENT

1. Removal of the CRT

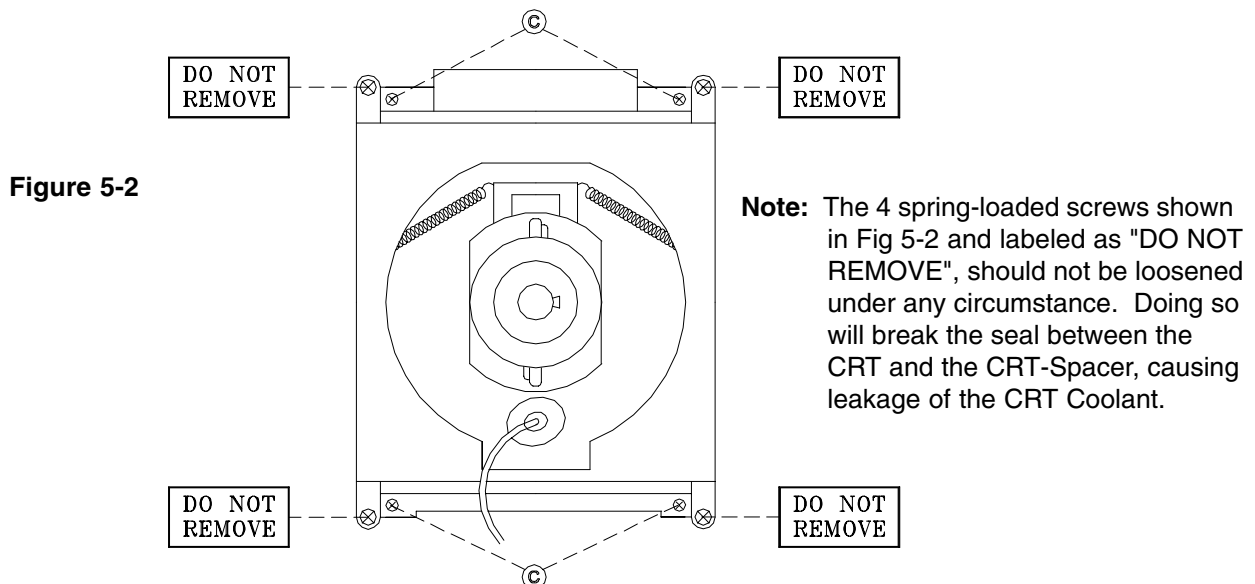
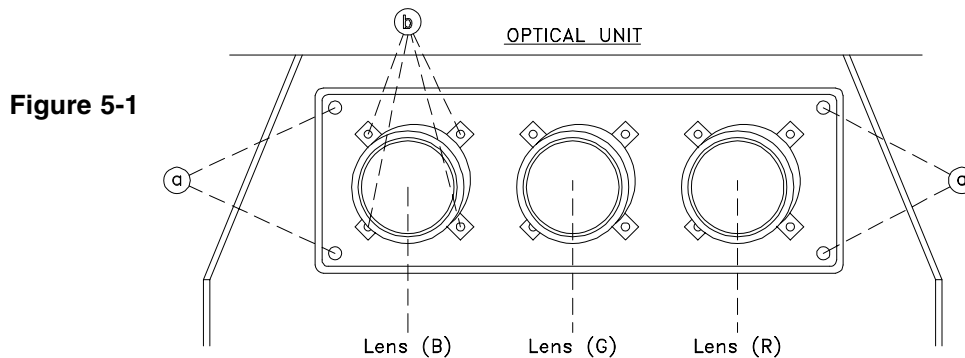
Caution! High voltage should be completely discharged prior to CRT removal. Since The CRTs receive high voltage from the HV Block, discharge by shorting the open end of the respective high voltage cable to chassis ground.

Note: Refer to the Cabinet Disassembly Procedures when performing steps 1 through 4.

1. Remove the Speaker Grille, Front Board, and Screen Assy.
2. Remove the Back Board.
3. Remove the Anode Lead Wire from the CR Block.
4. Remove the PCB-CRT.
5. Remove 4 hex-screws "a" retaining the Optical Unit. [Figure 5-1]
6. Remove 4 screws "b" retaining the Lens.

Note: **DO NOT loosen the RED screws.** Doing so will break the seal between the C-Element and the # 6 Lens, causing leakage of the CRT Coolant.

7. Remove 4 screws "c" retaining the CRT. [Figure 5-2]
8. Remove the Deflection Yoke from the neck of the CRT. [Figure 5-7]



2. Installation of the CRT

Note: The replacement CRT is supplied as an assembly comprised of the CRT and the Inner Lens with the space between them filled with ethylene glycol. Care should be taken during handling and installation to prevent shock from disrupting the seal or alignment between the CRT and Inner Lens. [Figure 5-3]

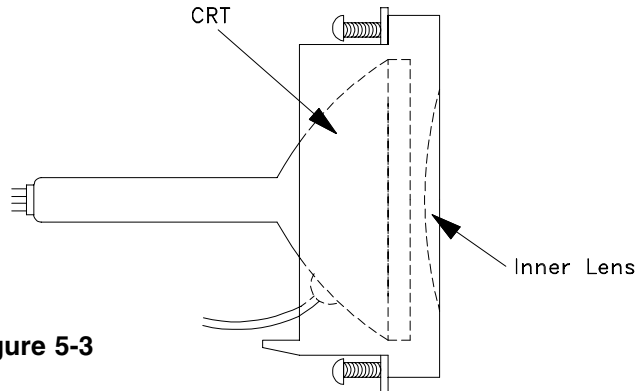


Figure 5-3

Note: The CRT fixing screws should not be loosened nor should they be removed. [Figure 5-4]

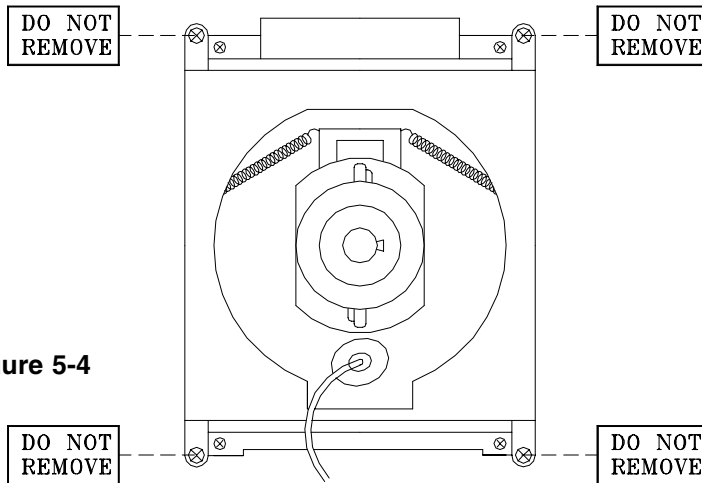


Figure 5-4

1. Carefully position the replacement CRT and fasten in place using 4 screws "d". [Figure 5-6]

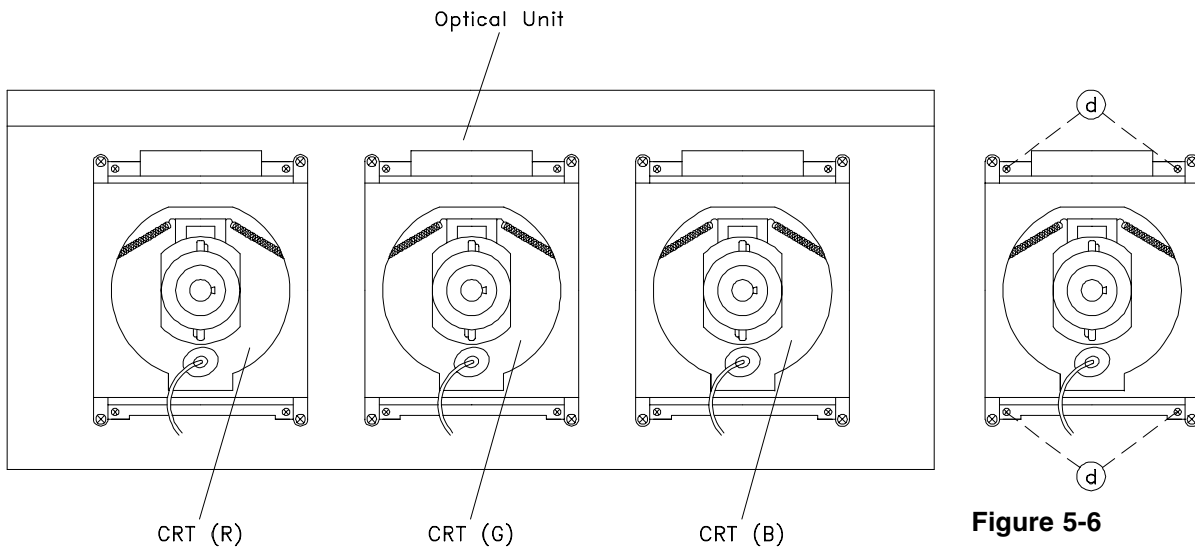


Figure 5-6

Figure 5-5

2. Install the Deflection Yoke on the CRT neck. [Figure 5-7]
3. Install the Lens that was removed in steps 8 and 9 of Removal Of The CRT. [Figures 5-1 and 5-2]
 - a) Position the Lens so that the Label faces the direction shown in Figure 5-8.
 - b) Install the mounting screws. [Figure 5-1]
4. Connect the PCB-CRT.
5. Insert the Optical Unit into the Light Box Assembly.
6. Insert the Anode Lead Wire into the Flyback Transformer.
7. Re-clamp the Lead Wire in its original position.

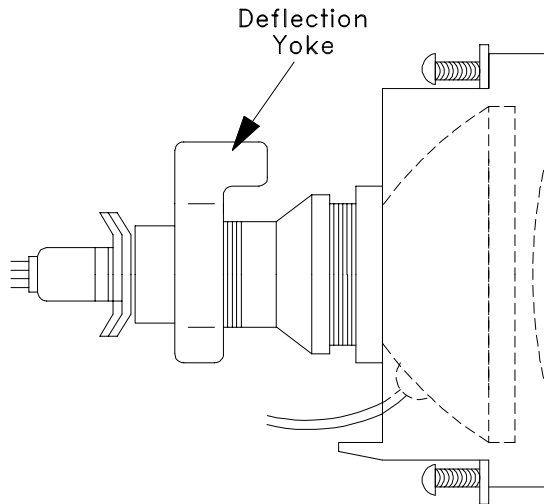
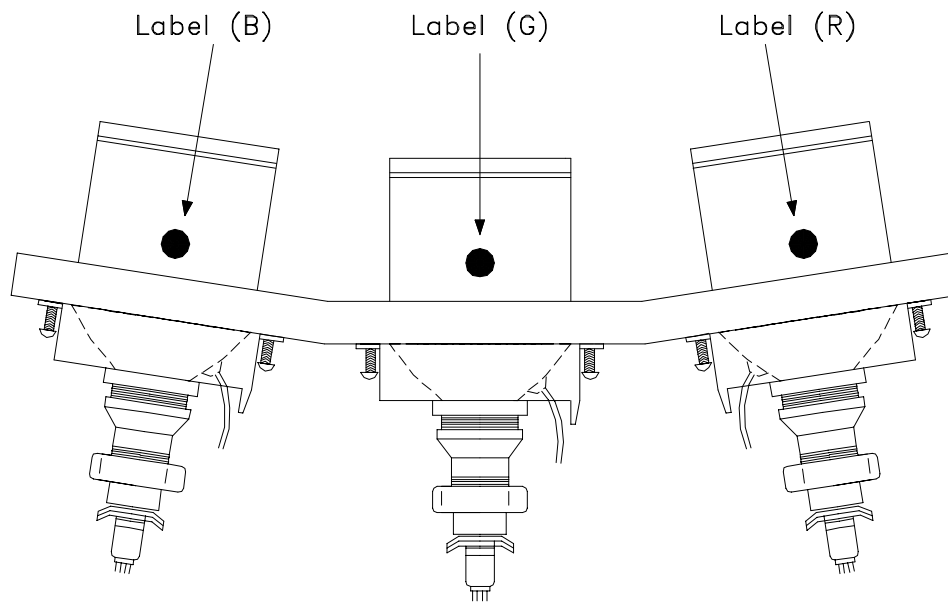


Figure 5-7



(Top View)

Figure 5-8

Adjustment procedures after replacing the CRT(s)

- CRT Cut Off / White Balance Adjustment
- Static Convergence Adjustment
- Dynamic Convergence Adjustment

ELECTRICAL ADJUSTMENTS

Note: Perform only the adjustments required.
Do not attempt an alignment if proper equipment is not available.

1. Test Equipment

- Oscilloscope (Unless otherwise specified, use 10:1 probes)
- Signal Generator (both SD and HD capable)
- Frequency Counter
- Direct Current Voltmeter
- Direct Current Power Supply
- Multiplex Audio Signal Generator
- Direct Current Ampere Meter

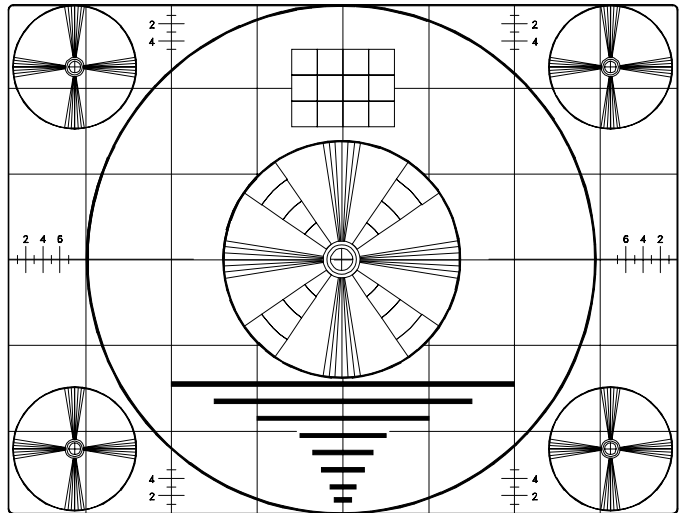
2. Test Signals

A. Monoscope Signal

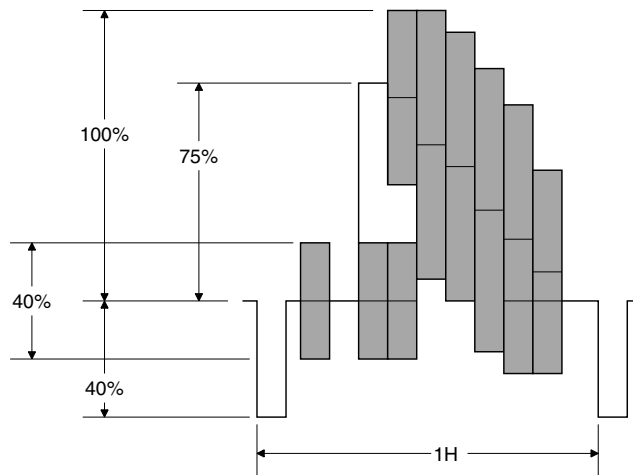
When called for, use the NTSC or HD 1080i monoscope signal shown.

B. Color Bar Signal

Use the color bar signal shown below, unless otherwise specified in this manual.



Monoscope Signal



Split-Field Color Bars (100% window)

3. Initial Setup

A. Option Menu Setup

Follow the steps below for the initial set-up:

1. Select the "MENU" display by pressing the "MENU" button once.
2. Press the number buttons "8", "2", "7", "0" in sequence to select the "OPTION MENU" display.
3. Press the "ADJUST" button to select "INITIAL."
4. Press "ENTER."

NOTE: At this time channel 3 is automatically selected.

(MENU-8-2-7-0)

OPTION MENU	
Initial	
Power restore	:OFF
DTV Port	:Auto

B. Default Settings

SETUP	
Memorize Channels	ANT A
Language	English
CLOCK	
Clock Setting	Auto
Time Zone	Eastern
Daylight Savings	Applies
Clock Time	N/A
Set Day	N/A
AV CONNECTION	
AV Network	OFF
External Audio System	NO
AV Receiver at Input 1	None
Audio Output	Variable
INPUT ASSIGNMENT	
Antenna A	On
Antenna B	On
DTV	YPrPb
Input 1	Input-1
Input 2	Input-2
Input 3	Input-3
Input 4	Input-4
Component 1	Comp. 1
component 2	Comp. 2
CAPTIONS	
Closed Captions	With Mute
CC Background	Gray

MAIN MENU DEFAULT SETTINGS

CHANNEL EDIT	
Input	ANT A
Channel	3
Memory	Deleted
Name	N/A
SQV	N/A
TIMER	
Timer	Off
Set Time	12:00PM
Set Day	Everyday
Input	ANT A
Channel	3
V-CHIP PARENT LOCK	
TV Rating	Off
FV-Fantasy Violence	N/A
D-Sexual Dialog	N/A
L-Adult Language	N/A
S-Sexual Situation	N/A
V-Violence	N/A
Program not Rated	N/A
Movie Rating	N/A
V-CHIP LOCK BY TIME	
V-Chip Start Time	N/A
V-Chip Stop Time	N/A
Lock by Time	Off
Lock Time	N/A
Unlock Time	N/A

ADVANCED FEATURES	
SD Video Format	480P
Video Mute	On
Black Level Expansion	On
AUDIO SETTINGS	
Volume	30%
Bass	50%
Treble	50%
Balance	50%
Surround	Off
Listen to	Stereo
Level Sound	Off
VIDEO SETTINGS	
Iris	Off
Contrast	100%
Brightness	50%
Sharpness	50%
Color	50%
Tint	50%
Color Temp.	High
Video Noise	Reduction
PIP/POP	
Source	Ant A Ch 3
PIP Position	Lower Right
POP Position	Right Half
Format	Standard
PIP/POP Format	Dble. Window

A/V RESET DEFAULT SETTINGS (By Input)

A/V Memory	ANT-A/B	DTV	INPUTS 1-4	DVD-1/2
Iris	OFF			
Contrast	Max.	Max.	Max.	Max.
Brightness	Center	Center	Center	Center
Auto Picture	OFF			
Sharpness	Center	Center	Center	Center
Color	Center	Center	Center	Center
Tint	Center	Center	Center	Center
Color Temp.	High	High	High	High
Video Noise	Normal	Normal	Normal	Normal
Bass	Center	Center	Center	Center
Treble	Center	Center	Center	Center
Balance	Center			
Surround	OFF	OFF	OFF	OFF
Listen To	Stereo			
Level Sound	OFF	OFF	OFF	OFF

C. A/V Memory

Each of the external inputs has its' own Audio/Video Memory. A change in an A/V setting at a specific input is stored in memory for that specific input.

A/V Reset

1. The front panel AV Reset button initializes all A/V Memories.
2. The AV Reset in the user's menu initializes only the selected input's A/V Memory.

4. Self Diagnostics

The "Power ON LED" provides an indication of the sets operation, and the possible cause of a malfunction.

1. Initial Control Circuitry Check

Immediately after the TV is connected to an AC power source:

- The LED flashes three times ... indicating the Microprocessor has initialized and is functioning properly.
- If the LED does not flash ... the Microprocessor is NOT functioning.

2. Error Code Operational Check

Pressing the front panel "INPUT" and "MENU" buttons at the same time, and holding for 5 seconds, activates the Error Code Mode. The LED flashes denoting a two digit Error Code, or indicating no problem has occurred since the last Initialization.

Note: The front panel buttons must be used, NOT those on the Remote Control.

- The number of flashes indicates the value of the MSD (tens digit) of the Error Code.
- The flashing then pauses for approximately 1/2 second.
- The LED then flashes indicating the value of the LSD (ones digit) of the Error Code.
- The Error Code is repeated a total of 5 times.

Example: For Error Code is "24", the LED will flash 2 times, pause, and then flash 4 times.

3. Error Codes

The Error Code designations indicating a malfunction, or no malfunction, are listed below:

- "12" ... indicates no error has occurred.
- "21" ... X-Ray Protect circuit.
- "22" ... Short Protect circuit.
- "23" ... Horizontal Deflection failure.
- "24" ... Vertical Deflection failure.

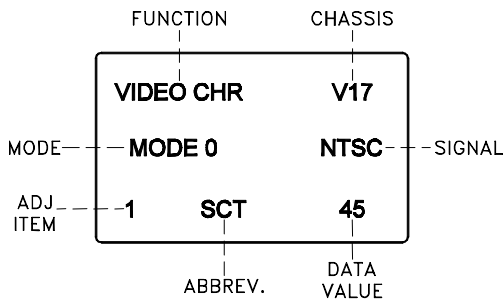
Circuit Adjustment Mode

Most of the adjustments can only be performed using the remote hand unit. Many of the adjustments must be performed in both the NTSC and HD modes. Video/Color adjustments must be performed in the NTSC and HD modes, and data must be preset in the 480P (DVD) and VGA modes.

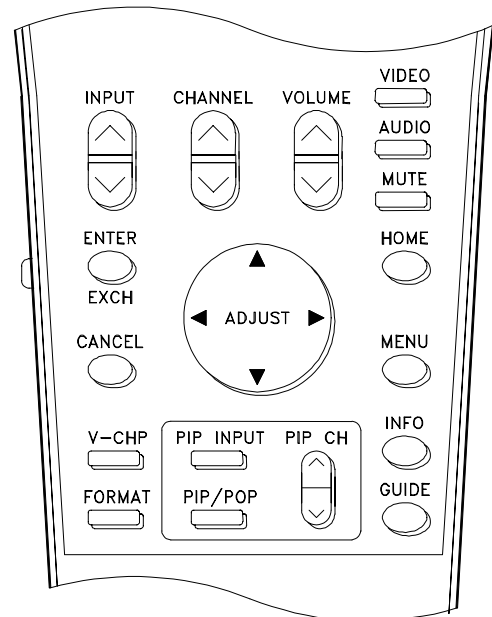
A. Activating the Circuit Adjustment Mode

The current signal source determines if the activated Adjustment Mode is NTSC or HD.

1. Select the signal source (NTSC or HD).
2. Press the "MENU" button on a remote hand unit.
3. Press the number buttons "8", "2", "5", "7" in sequence.
The screen will change to the Adjustment Mode.



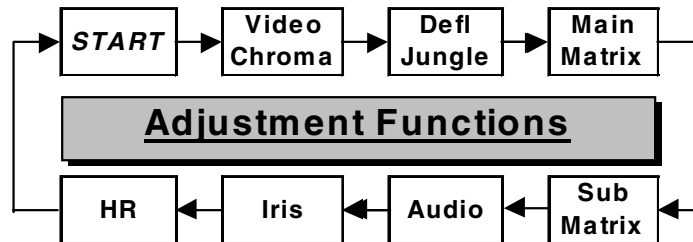
Note: Repeat steps 1 and 2 if the circuit adjustment mode does not appear on screen.



B. Selection of Adjustment Functions and Adjustment Items

To select an adjustment item in the circuit adjustment mode, first select the adjustment function that includes the specific adjustment item to be selected. Then select the adjustment item. (Refer to the following pages for the listing of adjustment functions and adjustment items.)

1. Press the "AUDIO" button on a remote hand unit to select an adjustment function. Each time the button is pressed, the Function changes in the following sequence:



2. Press the "VIDEO" button to select a specific Adjustment Item. The Item number increases each time the "VIDEO" button is pressed.

C. Changing Data

After selecting an adjustment Item, use the "ADJUST UP/DOWN" buttons to change data.

- Press "ADJUST DOWN" to decrease the data value.
- Press "ADJUST UP" to increase the data value.

D. Saving Adjustment Data

Press "ENTER" to save adjustment data in memory. The character display turns red for approximately one second in this step.

Note: If the circuit adjustment mode is terminated without pressing "ENTER", changes in adjustment data are not saved.

E. Terminating the Circuit Adjustment Mode

Press the "MENU" button on the remote hand unit twice to terminate the adjustment mode.

Note: The circuit adjustment mode can also be terminated by turning power OFF.

F. Toggle Between Reception Modes

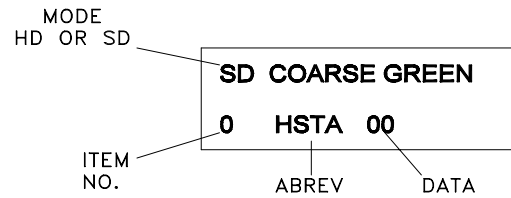
Pressing "3" when in the Adjustment Mode toggles between NTSC, HD, 480P and VGA. However data changes are not automatically saved. **Press "ENTER" to save data before pressing "3".**

6. Convergence Adjustment Mode

The Convergence mode is used to perform raster geometry correction, and convergence adjustments. These adjustments must be made in both the SD (NTSC) and HD modes.

A. Convergence Mode Activation

1. Press MENU-8-2-5-9
2. When the Convergence Mode is activated, the display on the right appears on a Green Crosshatch.



B. Selecting the HD or SD Mode

1. **Select the Signal Source** before entering the Convergence Mode, either an NTSC or HD source.
2. **Enter the Convergence Mode**
 - If the signal source is NTSC, the SD mode is activated.
 - If the signal source is HD 1080i, the HD mode is activated.
3. **Activating the HD mode when no HD signal is available**
 - Activate the Factory Option Menu (MENU-8-2-7-0)
 - Use the “Adjust” keys to select “DTV Port” and press the “Enter” key three times to change the setting to “1080i”. Sequence = “AUTO”-”480i”-”480p”-”1080i.” **Note: Ignore any loss of sync while changing modes.**
 - Exit the Option Menu (Press MENU twice)
 - Select the DTV Inputs as the signal source (INPUT button)
 - Activate the Convergence Mode ... the Convergence mode will be in the HD mode and the internal crosshatch is displayed.
4. **After adjusting Convergence, be sure to set the DTV Port back to AUTO.**
 - Select an analog Input as the signal source (INPUT button)
 - Activate the Factory Option Menu (MENU-8-2-7-0)
 - Use the “Adjust” keys to select “DTV Port” and press the “Enter” key once to change the setting from “1080i” to “AUTO”.
 - Exit the Option Menu (Press MENU twice)

C. Convergence Mode Functions

In the Convergence Mode there are three main Functions (Categories).

- Pressing “6” activates CONV MISC
- Pressing “5” activates COARSE CONV
- Pressing “4” activates FINE CONV

D. CONV MISC (Press 6)

This mode is used to preset data values controlling the Convergence Generator, and to perform the HV Regulation adjustment.

1. Use the VIDEO button to select an item.
2. Use the ADJUST buttons to change data.

NOTE: When Item “0 HVOL” is selected the screen goes black except for the data display. This occurs since a black screen is required when making the HV Regulation adjustment.

E. COARSE CONV (Press 5)

There are four Sub Functions in the Coarse mode, COARSE GREEN, COARSE RED, COARSE BLUE and DF.

- COARSE GREEN used to make Coarse Raster Geometry Adjustments.
- COARSE RED ... used to make Coarse Red Convergence Adjustments.
- COARSE BLUE ... used to make Coarse Blue Convergence Adjustments.
- DF ... used to preset data values controlling the Dynamic Beam Focus circuit drive signal.

1. Use AUDIO button to select a Sub Function
2. Use the VIDEO button to select an Adjustment Item.
3. Use the ADJUST buttons to change data.

F. FINE CONV (Press 4)

Sub Functions

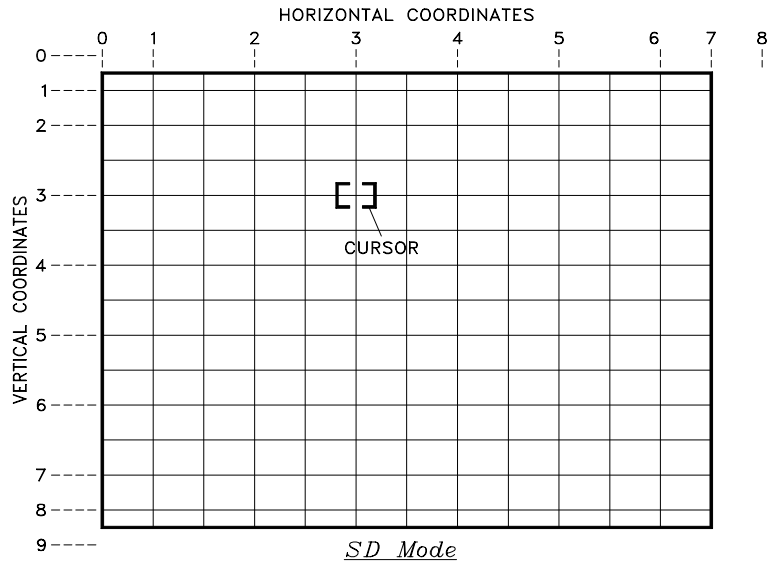
This mode is used to perform Fine Raster Correction, and Fine Red and Blue Convergence Adjustments. There are three Sub Adjustment Functions, selected with the AUDIO button:

- FINE GREEN a Green Crosshatch is displayed, to make Fine Raster Corrections.
- FINE RED a White Crosshatch is displayed, to make Fine Red Convergence Adjustments.
- FINE BLUE a White Crosshatch is displayed, to make Fine Blue Convergence Adjustments.

Cursor

In the Fine mode a Cursor is added to the Crosshatch. The ENTER button toggles the Cursor between two modes:

- MOVE (blinking Cursor) use the ADJUST buttons to select any of 64 points on the Crosshatch.
- ADJUST (Non blinking Cursor) the ADJUST buttons adjust the active color at the current Cursor position, horizontally or vertically.

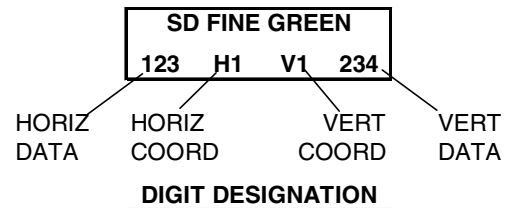


Cursor Coordinates

Specific intersections in the Cross-hatch are assigned vertical and horizontal coordinates. These are shown in the adjacent diagram. The Cursor can only be moved to those positions that have coordinates assigned. If the Cursor is at coordinates outside the screen area, the Cursor will not be visible. Use the ADJUST buttons to move the Cursor to an intersection on the screen.

Display

The on-screen display changes in the Fine mode, as shown at the right. The display shows the vertical and horizontal data for the current Cursor Position, and the horizontal and vertical coordinates for that position.



G. Saving Data and Exiting the Convergence Mode

Press MENU twice to exit the Convergence mode, data is automatically saved.

E2PROM Replacement

IC7C01 and IC7C02 store the adjustment data. After replacing the IC, set the data to the values given in the following tables. If good performance is not obtained, perform the Adjustments Procedures given in the Notes column.

List of Adjustment Items.

VIDEO / CHROMA Function				IC2V00				
Function Display		Adjustment Description	Data Range	Initial Data				Notes
Item #	Abbrev.			NTSC	HD	480P	VGA	
1	SCT	Picture Gain Control	0~63	42	←	←	←	Sub Contrast
2	SBRT	Sub Brightness	0~63	18	←	←	←	Black Level
3	SCOL	Sub Color	0~15	2	2	2	2	Preset
4	STIN	Sub Tint	0~15	7	7	7	7	"
5	SCON	Sub Contrast	0~15	2	2	2	2	"
6	RDRH	R-Drive (high)	0~63	42	42	←	←	White Balance
7	GDR	G-Drive	0~63	50	50	←	←	Preset
8	BDRH	B-Drive (high)	0~63	42	42	←	←	White Balance
9	CTRH	R-Cutoff (high)	0~63	15	15	←	←	"
10	CTGH	G-Cutoff (high)	0~63	50	50	←	←	Preset
11	CTBH	B-Cutoff (high)	0~63	15	15	←	←	White Balance
12	RDRL	R-Drive (low)	0~63	50	←	←	←	"
13	BDRL	B-Drive (low)	0~63	25	←	←	←	"
14	CTRL	R-Cutoff (low)	0~63	23	←	←	←	"
15	CTGL	G-Cutoff (low)	0~63	50	←	←	←	"
16	CTBL	B-Cutoff (low)	0~63	10	←	←	←	"
17	GMMA	Gamma control	0~15	8	4	5	5	Preset
18	BRT	Brightness control	0~63	31	←	←	←	User
19	COL	Color Gain control (73" only)	0~63	28	←	←	←	User
21	CONT	Picture Gain control	0~63	42	←	←	←	Preset
56	CRO1	CR Offset 1	0~15	9	9	9	9	Cb Cr Offset
57	CBO1	CB Offset 1	0~15	10	10	10	10	Cb Cr Offset

(←) Automatically goes to the value on the left
27 Indicates 73" Only

DEFL JUNGLE Function				IC4A01				
Function Display		Adjustment Description	Data Range	46" Only		55/65/73"		Notes
Item #	Abbrev.			HD	NTSC	HD	NTSC	
1	HWID	Horizontal Width (73 inch Only)	0~63	38	44	33	29	Width
						47	57	
2	HKEY	Horizontal Keystone	0~63	30	25	31	31	Preset
3	EWPT	EW-PCC on top	0~63	31	25	26	31	"
5	EWPB	EW-PCC on bottom	0~63	27	20	26	20	"
7	VHGT	Vertical Height	0~63	21	31	31	38	Height
*8	VLIN	Vertical Linearity	0~15	0	0	9	9	Preset
9	VSCN	Vertical S-Correction	0~15	7	7	0	0	"
20	VPOS	Vertical Position	0~63	0	63	31	31	"

57 73" Only

MAIN MATRIX Function

IC6M00

Function Display		Adjustment Description	Data Range	Initial Data	Notes
Item #	Abbrev.				
1	TNTM	Main Tint	0~63	30	Preset
2	COLM	Main Color	0~63	19	"
3	YDRM	Main Gain Control	0~31	12	Main Y Level

SUB MATRIX Function

IC6P00

Function Display		Adjustment Description	Data Range	Initial Data	Notes
Item #	Abbrev.				
1	TNTS	Sub Tint	0~63	30	Sub Picture Tint
2	COLS	Sub Color	0~63	30	Sub Color
3	YDRS	Sub Gain Control	0~31	12	Sub Y Level
4	VPDS	Sub-V Pedestal DC Control	0~15	7	Preset
5	UPDS	Sub-U Pedestal DC Control	0~15	7	"

AUDIO Function

IC3A01

Function Display		Adjustment Description	Data Range	Initial Data	Notes
Item #	Abbrev.				
1	INP	Input Level Alignment	0~15	8	Input Level
3	WDE	Wideband Separator Align.	0~31	3	Separation
4	SPC	Spectral Separator Align.	0~31	3	"

IRIS Function

Function Display		Adjustment Description	Data Range	Initial Data	Notes
Item #	Abbrev.				
1	OT1	Lower thresh hold voltage setting	0-255	60	Preset

HR Function

Item Number	Abbrev. Name	Description	Data
1	HR	Display horiz. Centering (NTSC)	128
2	HRHD	Display horiz. Centering (HD)	128

DYNAMIC FOCUS

MENU-8-2-5-9

Item Number	Abbrev. Name	Description	Data SD&HD
0	DFH	Dynamic Focus Horizontal	175
1	DFV	Dynamic Focus Vertical	100

CONV MISC Items (MENU-8-2-5-9-6)

Item Number	Abbrev. Name	Description	Data		Notes
			SD	HD	
0	HVOL	High Voltage Control	128		HV Adj.
3	STLN	Horiz. Correction Start Line Number	55	81	Preset
4	FPHS	Fine H-Phase of Correction Signal	200	200	"
7	TPHS	Test Pattern H-Phase	70	70	"

* Do not change "0 HVOL" if it has been previously set.

CONV GREEN Items (MENU-8-2-5-9-5)

Item Number	Abbrev. Name	Description	Data (SD/HD)		Notes
			46"	55-65-73"	
0	HSTA*	Horizontal Position	-35/-35	-35/-35	Centering
1	SPCC	Side Pincushion Correction	0/0	0/0	Geo. (Conv)
2	HWID	Width	0/0	0/0	Geo. (Conv)
				(0/+30)73"	
3	SKEW	Skew (Y axis rotation)	0/0	0/0	Geo. (Conv)
4	VSTA*	Vertical Position	-35/-35	-35/-35	Centering
5	VKEY	Vertical Keystone Correction	0/0	0/0	Geo. (Conv)
6	TBPC	Top/Bottom Pincushion Correction	-220/-200	-220/-200	Geo. (Conv)
7	TILT	Horizontal Tilt (X axis rotation)	0/0	0/0	Geo. (Conv)

*HSTA and VSTA must not exceed ±200

CONV RED Items (MENU-8-2-5-9-5)

Item Number	Abbrev. Name	Description	Data (SD/HD)		Notes
			46"	55-65-73"	
0	HSTA*	Horizontal Position	+75/+75	+40/+50	Static Conv.
1	HLIN	Horiz. Linearity	-225/-210	-210/-200	Coarse Conv.
2	SKEW	Skew (Y axis rotation)	+5/+5	+10/+10	Coarse Conv.
3	HWID	Width	+15/+20	-25/-5	Coarse Conv.
4	HSBW	Horiz. Side Bow Correction	+30/+30	+30/+30	Coarse Conv.
5	VST*	Vertical Position	-20/-20	-20/-20	Static Conv.
6	VKEY	Vertical Keystone Correction	-115/-85	-100/-85	Coarse Conv.
7	TILT	Horizontal Tilt (X axis rotation)	0/0	0/0	Coarse Conv.

*HSTA and VSTA must not exceed ±200

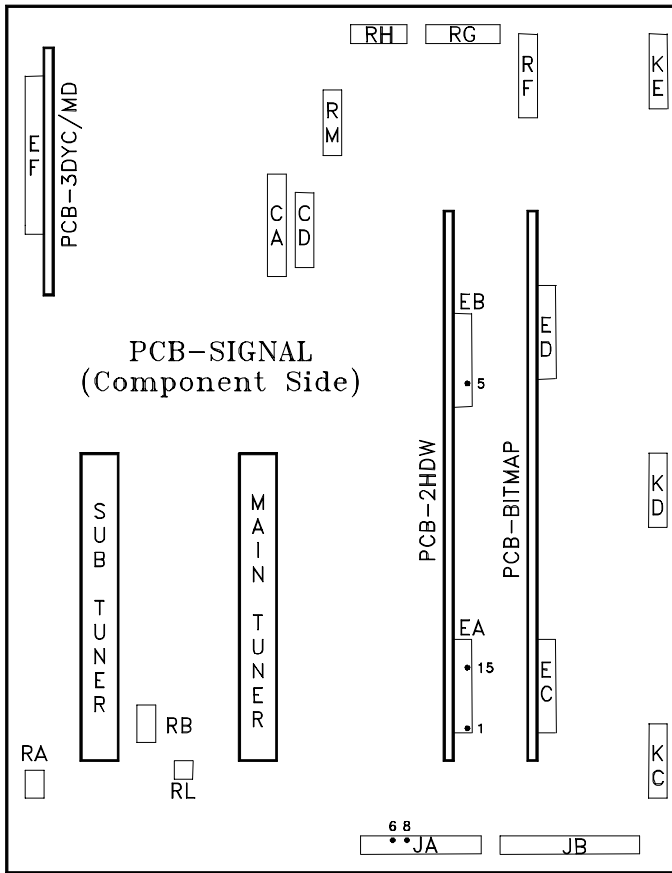
CONV BLUE Items (MENU-8-2-5-9-5)

Item Number	Abbrev. Name	Description	Data (SD/HD)		Notes
			46"	55-65-73"	
0	HSTA*	Horizontal Position	-75/-75	-40/-40	Static Conv.
1	HLIN	Horiz. Linearity	+240/+215	+240/+220	Coarse Conv.
2	SKEW	Skew (Y axis rotation)	0/0	-10/-10	Coarse Conv.
3	HWID	Width	-15/-20	-20/-5	Coarse Conv.
4	HSBW	Horiz. Side Bow Correction	-45/-45	-45/-45	Coarse Conv.
5	VST*	Vertical Position	-5/-5	-10/-10	Static Conv.
6	VKEY	Vertical Keystone Correction	+115/+105	+115/+115	Coarse Conv.
7	TILT	Horizontal Tilt (X axis rotation)	0/0	0/0	Coarse Conv.

*HSTA and VSTA must not exceed ±200

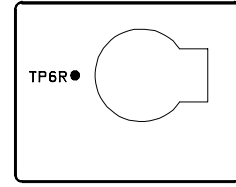
Adjustment Test Point Locations

(FRONT)

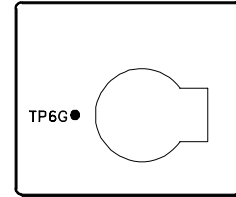


(REAR)

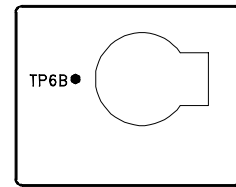
PCB-CRT (R)
(Component Side)



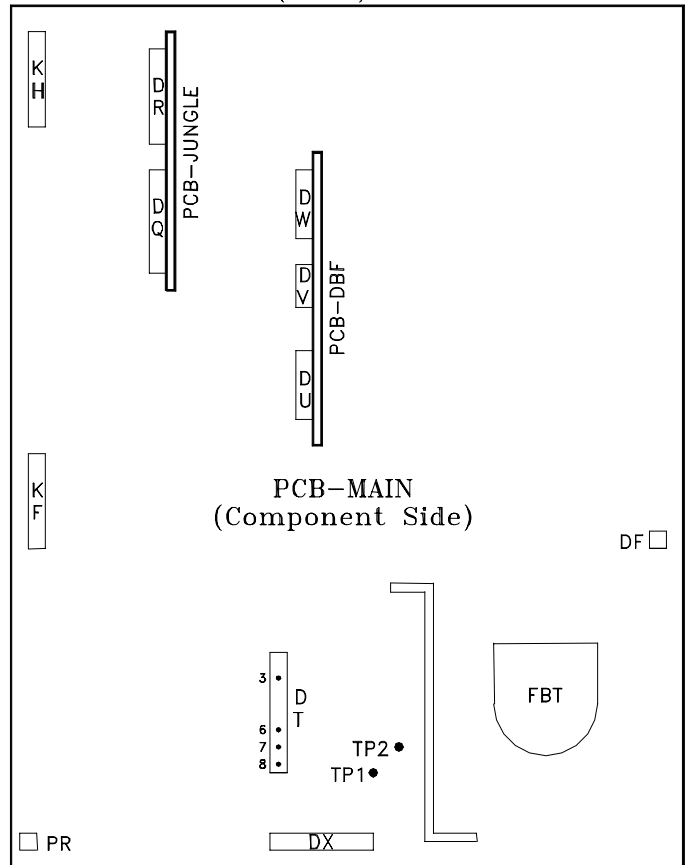
PCB-CRT (G)
(Component Side)



PCB-CRT (B)
(Component Side)



(FRONT)



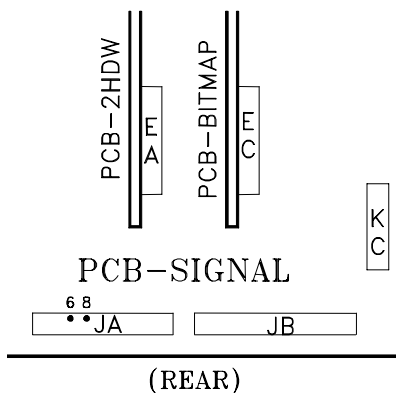
(REAR)

[Audio Circuit] 1. MCS Input Level	Purpose: Check the input signal level to the MCS circuit Symptom: Distorted sound during a stereo broadcast.
---	---

Measuring Instrument	Oscilloscope
Test Point	Connector JA pins 6 & 8
Ext. Trigger	-----
Measuring Range	50mV/Div
Input Signal	RF Stereo 300 Hz modulation
Input Terminal	RF Input

1. Supply an RF MCS signal to the Ant A input, 300 Hz at 100% modulation (25 kHz deviation) for right and left channels.
2. Connect the oscilloscope to connector JA pin 8 (Main Tuner Right Audio).
3. Enter the Adjustment Mode and select the Audio Function.
4. Verify that the Audio Function items are set to the data values given the table below.
5. Set the data for Item "1 INP" for 1.56 Vp-p \pm 0.06V.
6. Connect the oscilloscope to connector JA pin 6 (Main Tuner Left Audio).
7. Confirm that the left audio level at pin 6 of the JA connector is 1.56 Vp-p \pm 0.06V.

Note: Adjustment 2 (Stereo Separation) must be performed after this adjustment)



CIRCUIT ADJUST MODE

Activate MENU-8-2-5-7
 FunctionAUDIO
 Item No.VIDEO
 Adjust DataADJUST
 Save Data ENTER
 ExitMENU (twice)

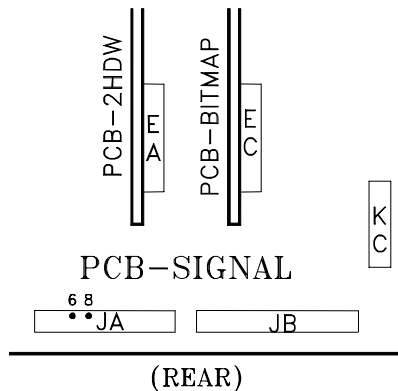
AUDIO Function		
Item #	Abbrev.	Data
1	INP	7
3	WDE	16
4	SPC	16

[Audio Circuit] 2. Separation	Purpose Check stereo separation Symptom: Poor stereo separation
--	--

Measuring Instrument	Oscilloscope
Test Point	Conector JA pin 8
Ext. Trigger	-----
Measuring Range	10mV/Div
Input Signal	RF Stereo
Input Terminal	RF Input

Note: This adjustment must follow Adjustment 1 (Input Level)

1. Supply a RF Stereo Signal (dual tone stereo) to the Ant. A input.
 - Left Channel = 300 Hz modulation
 - Right Channel = no modulation
2. Connect the oscilloscope to connector JA pin 8 (Main Tuner Right Audio).
3. Enter the Adjustment Mode and select the Audio Function.
4. Set the data for Item "3 WDE" for minimum Right Audio signal.
5. Change the modulation frequency to 3kHz.
6. Adjust the data for Item "4 SPC" for minimum Right Audio signal.



CIRCUIT ADJUST MODE

Activate MENU-8-2-5-7
 FunctionAUDIO
 Item No.VIDEO
 Adjust DataADJUST
 Save Data ENTER
 ExitMENU (twice)

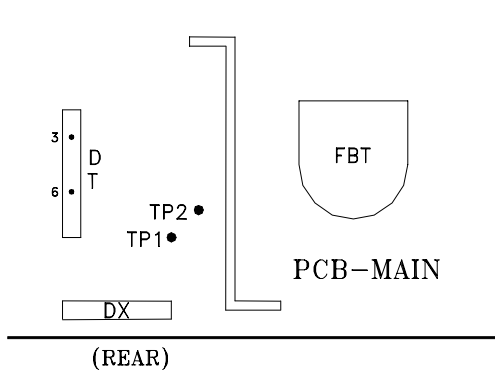
[HV Circuit] 3. HV Regulation	Purpose: To set the CRT Anode voltage. Symptom: Dark Picture
--	---

Measuring Instrument	DC Voltmeter
Test Point	DT connector pins 3 & 6
Ext. Trigger	-----
Measuring Range	-----
Input Signal	Video Signal Monoscope
Input Terminal	Video Input

Note: This adjustment must be rechecked following Adjustment 9 CRT Cutoff.

1. Supply a video monoscope signal.
2. Sent Contrast to maximum, and Brightness to mid position.
3. Connect a DC volt meter between pins 3 and 6 of the DT connector.
(Positive lead to pin 3)
4. Activate the Conv-Misc Mode.
5. Select Item "0 HVOL" (screen goes black).
6. Adjust Item "0 HVOL" for 15.4V ±0.1V on the meter.
7. Save data and exit the Conv-Misc mode.
8. Confirm that the voltage does not change more than 0.15V.

Note: This adjustment must be performed if E2RESET or Convergence E2RESET are activated.

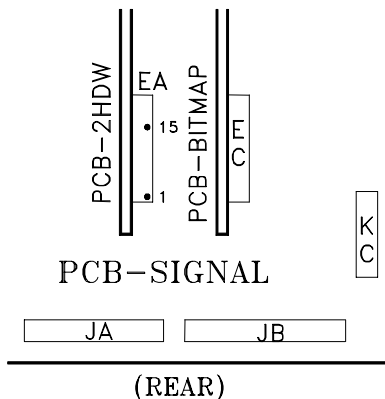


CONVERGENCE MODE	
Activate	MENU-8-2-5-9
Misc.	"6"
Coarse.....	"5"
Fine	"4"
Color (R,G or B).....	AUDIO
Item No.....	VIDEO
Adjust/Move.....	ADJUST
Cursor Toggle.....	ENTER
Save & Exit.....	MENU (twice)

[Video Circuit] 4. Main/Sub Y Level	Purpose To set picture luminance Symptom: Excess or insufficient brightness.
--	---

Measuring Instrument	Oscilloscope
Test Point	EA connector pins 15 & 1
Ext. Trigger	-----
Measuring Range	-----
Input Signal	Color Bars
Input Terminal	Video Input

1. Supply a color bar signal to a Video Input (not an RF input).
2. Select the color bar signal for both the main and sub pictures.
3. Connect the oscilloscope to connector EA pin 15.
4. Activate the Adjustment Mode
5. Select Item "3 YDRM" in the Main Matrix function.
6. Adjust the data for 0.7 Vp-p max. - 0.67 Vp-p min. at EA pin 15.
(If it cannot be adjusted within this range, set to the lower value)
7. Move the oscilloscope to EA pin 1.
8. Select Item "3 YDRS" in the Sub Matrix function.
9. Adjust the data for 0.7 Vp-p max. - 0.67 Vp-p min. at EA pin 1.
(If it cannot be adjusted within this range, set to the lower value)



CIRCUIT ADJUST MODE	
Activate	MENU-8-2-5-7
Function	AUDIO
Item No.	VIDEO
Adjust Data	ADJUST
Save Data	ENTER
Exit	MENU (twice)

[Video Circuit]
5. Side by Side Sub Picture Tint
Purpose: To match the sub picture color to that of the main picture.
Symptom: Main and sub pictures colors differ.

Measuring Instrument	-----
Test Point	-----
Ext. Trigger	-----
Measuring Range	-----
Input Signal	NTSC
Input Terminal	RF or Video

1. Supply an NTSC signal.
2. Select the NTSC signal as the source for both the main and sub pictures.
3. Activate Side by Side POP
3. Activate the Adjustment mode.
4. Select Item "1 TNTS" in the Sub Matrix Function.
5. Adjust data to match the sub picture color to that of the main picture. (If "1 TNTS" range is short, adjust Items "4 VPDS" and "5 UPDS")

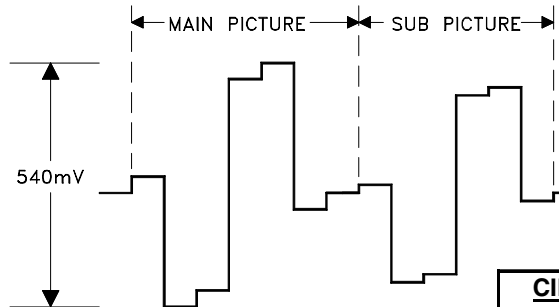
CIRCUIT ADJUST MODE

Activate MENU-8-2-5-7
 FunctionAUDIO
 Item No.VIDEO
 Adjust DataADJUST
 Save Data ENTER
 ExitMENU (twice)

[Video Circuit]
6. Side by Side Sub Color
Purpose To set the sub picture color level.
Symptom: Main and sub pictures color levels differs.

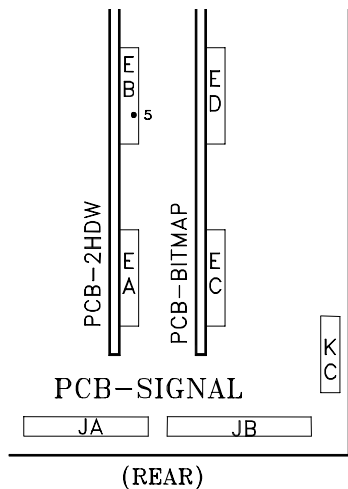
Measuring Instrument	Oscilloscope
Test Point	EB connector pin 5
Ext. Trigger	-----
Measuring Range	200mV/div 20usec/div
Input Signal	Color Bars
Input Terminal	Video Input

- Note:** Let the set run for at least one minute before making this adjustment.
1. Supply a color bar signal.
 2. Select the color bar signal as the source for both the main and sub picture.
 3. Connect an oscilloscope to pin 5 of the EB connector.
 4. Activate the Side by Side mode.
 5. Activate the Service Mode
 6. Select Item "2 COLS" in the Sub Matrix function.
 7. Adjust data so the amplitude of the Sub signal equals that of the main signal.



CIRCUIT ADJUST MODE

Activate MENU-8-2-5-7
 FunctionAUDIO
 Item No.VIDEO
 Adjust DataADJUST
 Save Data ENTER
 ExitMENU (twice)



[CRT Circuit] 7. CRT Cutoff	Purpose: To set the cutoff point for all three CRTs. Symptom: Monochrome has a color tint, or incorrect brightness.
--	--

Measuring Instrument	Oscilloscope
Test Point	TP6R, TP6G, TP6B
Ext. Trigger	-----
Measuring Range	50V/Div. 2msec/Div.
Input Signal	None
Input Terminal	Video Input

Note: Use the Expand mode (full screen)

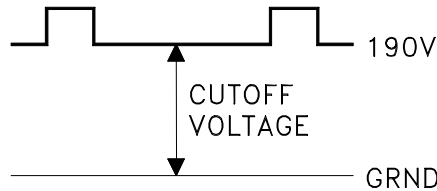
(Refer to page 29 for Test Point locations.)

1. Select an External Input with no signal.
2. Enter the Adjustment Mode, Video/Chroma Function.
3. Set the data to the values given in the table below.
4. Connect the oscilloscope to TP6R.
5. Adjust the Red Screen VR so the black level is 190V, as shown below, or 199V ±1VDC using an DC Voltmeter.
6. Repeat Steps 4 and 5 to set the Blue and Green Screen VRs, using TP6G and TP6B.

VIDEO / CHROMA Function

Item #	Abbrev.	Data
1	SCT	42
2	SBRT	18
5	SCON	2
6	RDRH	42
7	GDR	50
8	BDRH	42
9	CTRH	15
10	CTGH	50
11	CTBH	15
18	BRT	31
19	COL	0

Note: White Balance must be performed after this adjustment.



CIRCUIT ADJUST MODE
 Activate MENU-8-2-5-7
 FunctionAUDIO
 Item No.VIDEO
 Adjust DataADJUST
 Save DataENTER
 ExitMENU (twice)

[CRT Circuit] 8. White Balance (NTSC)	Purpose To set the CRTs white level in the NTSC mode. Symptom: Monochrome has a color tint.
--	--

Measuring Instrument	DC Voltmeter
Test Point	-----
Ext. Trigger	-----
Measuring Range	-----
Input Signal	NTSC White Raster
Input Terminal	RF or Video

Note: Use the Expand mode (full screen)

1. Supply a full White Raster Signal
2. Activate the Service Mode, Video/Chroma function.
3. Set the data for Item "19 COL" to 0.
4. Adjust Items "6 RDRH" and "8 BDRH" for optimum white at the center of the screen.
5. Reduce the input luminance level to 25%.
6. Adjust Items "9 CTRH" and "11 CTBH" for optimum white.
7. Insert a Milliammeter in series with each CRT Cathode. The maximum allowable current for each CRT is given in the table below.
8. Set the white raster to 100% and adjust Items "12 RDRL" and "13 BDRL" for optimum white at the center of the screen.
9. Reduce the luminance level to 25%.
10. Adjust Item "14 CTRL" and "16 CTBL" for optimum white.
11. Set the data for Item "19 COL" back to 28.

CIRCUIT ADJUST MODE
 Activate MENU-8-2-5-7
 FunctionAUDIO
 Item No.VIDEO
 Adjust DataADJUST
 Save DataENTER
 ExitMENU (twice)

Maximum CRT Current

CRT	All Except WS-73907	Only WS-73907
RED	580 uA	900 uA
GREEN	580 uA	900 uA
BLUE	580 uA	900 uA

[CRT Circuit]		Purpose: To set the CRTs white level in the HD mode.														
9. White Balance (HD)		Symptom: Monochrome pictures have a color tint.														
Measuring Instrument	----	<ol style="list-style-type: none"> 1. Supply an HD 1080i Full White Raster signal to the DTV Inputs. 2. Select the DTV Inputs (Input button) 3. Activate the Adjustment mode, Video/Chroma Function. 4. Set Item "19 COL" to 0. 5. Adjust Items "6 RDRH" and "8 BDRH" for optimum white at the center of the screen. 6. Reduce the input signal luminance to 25%. 7. Adjust Items "9 CTRH" and "11 CTBH" for optimum white. 8. Set the data for Item "19 COL" back to 27. 														
Test Point	----															
Ext. Trigger	-----															
Measuring Range	----															
Input Signal	HD 1080i White Raster															
Input Terminal	DTV Inputs															
<table border="1"> <tr> <td colspan="2" style="text-align: center;">CIRCUIT ADJUST MODE</td> </tr> <tr> <td>Activate</td> <td>MENU-8-2-5-7</td> </tr> <tr> <td>Function</td> <td>AUDIO</td> </tr> <tr> <td>Item No.</td> <td>VIDEO</td> </tr> <tr> <td>Adjust Data</td> <td>ADJUST</td> </tr> <tr> <td>Save Data</td> <td>ENTER</td> </tr> <tr> <td>Exit</td> <td>MENU (twice)</td> </tr> </table>		CIRCUIT ADJUST MODE		Activate	MENU-8-2-5-7	Function	AUDIO	Item No.	VIDEO	Adjust Data	ADJUST	Save Data	ENTER	Exit	MENU (twice)	
CIRCUIT ADJUST MODE																
Activate	MENU-8-2-5-7															
Function	AUDIO															
Item No.	VIDEO															
Adjust Data	ADJUST															
Save Data	ENTER															
Exit	MENU (twice)															

[CRT Circuit]		Purpose To set U and V color signal level.														
10. Cb, Cr Offset		Symptom: Incorrect colors.														
Measuring Instrument	----	<p>NTSC Mode</p> <ol style="list-style-type: none"> 1. Supply an NTSC White Raster (25% luminance) signal to a Video Input. 2. Activate the Adjust Mode, Video/Chroma Function 3. Set Item "19 COL" data to 63. 4. Adjust Items "56 CRO1" and "57 CBO1" for optimum white. 5. Set Item "19 COL" data to 28. 6. Save data and Exit the Service Mode. <p>HD MODE</p> <ol style="list-style-type: none"> 1. Supply a HD 1080i White Raster (25% luminance) signal to a Video Input. 2. Activate the Adjust Mode, Video/Chroma Function 3. Set Item "19 COL" data to 63. 4. Adjust Items "56 CRO1" and "57 CBO1" for optimum white. 5. Set Item "19 COL" data to 27. 6. Save data and Exit the Service Mode. 														
Test Point	----															
Ext. Trigger	-----															
Measuring Range	-----															
Input Signal	White Raster (NTSC & HD 1080i)															
Input Terminal	Video & DTV Inputs															
<table border="1"> <tr> <td colspan="2" style="text-align: center;">CIRCUIT ADJUST MODE</td> </tr> <tr> <td>Activate</td> <td>MENU-8-2-5-7</td> </tr> <tr> <td>Function</td> <td>AUDIO</td> </tr> <tr> <td>Item No.</td> <td>VIDEO</td> </tr> <tr> <td>Adjust Data</td> <td>ADJUST</td> </tr> <tr> <td>Save Data</td> <td>ENTER</td> </tr> <tr> <td>Exit</td> <td>MENU (twice)</td> </tr> </table>		CIRCUIT ADJUST MODE		Activate	MENU-8-2-5-7	Function	AUDIO	Item No.	VIDEO	Adjust Data	ADJUST	Save Data	ENTER	Exit	MENU (twice)	
CIRCUIT ADJUST MODE																
Activate	MENU-8-2-5-7															
Function	AUDIO															
Item No.	VIDEO															
Adjust Data	ADJUST															
Save Data	ENTER															
Exit	MENU (twice)															

[Video Circuit]	Purpose: To set the black level of the picture.
11. Black Level	Symptom: Excess or insufficient brightness.

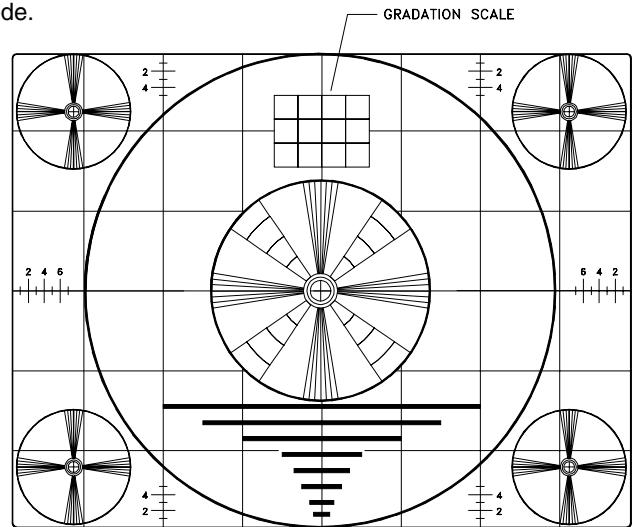
Measuring Instrument	----
Test Point	----
Ext. Trigger	-----
Measuring Range	-----
Input Signal	Monoscope
Input Terminal	Video Input

1. Supply a Monoscope signal to a Video Input.
2. Activate the Adjust Mode, Video/Chroma Function.
3. Adjust Item "2 SBRT" so the 0% and 10% black levels on the gradation scale are the same. Make note of the data value.
4. Press ENTER to save data.
5. Use the "3" button to toggle to the HD and 480P modes.
6. Set the data for "2 SBRT" in both modes to the NTSC data value (Step 3).
NOTE: Press ENTER to save data before switching modes.
7. Exit the Service Mode.

CIRCUIT ADJUST MODE
 Activate MENU-8-2-5-7
 FunctionAUDIO
 Item No.VIDEO
 Adjust DataADJUST
 Save Data ENTER
 ExitMENU (twice)

40%	30%	20%	10%
50%	0%	0%	0%
60%	70%	80%	90%

GRADATION SCALE

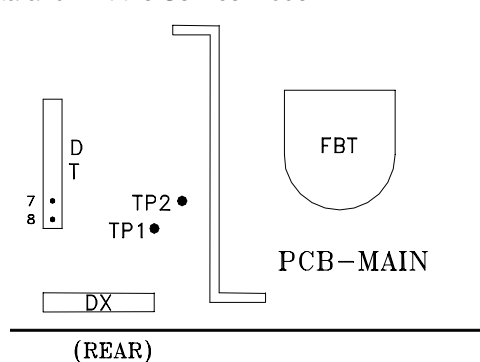


[Video Circuit]	Purpose To set overall beam current to its' optimum level.
12. Sub Contrast	Symptom: Excess or insufficient contrast.

Measuring Instrument	DC ma meter
Test Point	DT connector pins 7 & 8
Ext. Trigger	-----
Measuring Range	-----
Input Signal	Grayscale
Input Terminal	RF Input

- Note: Activate the Expand mode (full screen).**
1. Supply a Grayscale signal to a RF Input.
 2. Activate the Adjust Mode, Video/Chroma Function.
 3. Select Item "1 SCT", signal level automatically reduces.
 4. Connect a 3ma DC meter between DT connector pins 7 and 8. Positive lead to pin 7.
 5. Adjust Item "1 SCT" for 645µA ±20µA (900µA ±20µA on the WS-73907). Note the data value.
 6. Press Enter to save data.
 7. Remove the meter.
 8. Use the "3" button to toggle to the HD and 480P modes.
 9. Set the data for "1 SCT" in both modes to the NTSC data value (Step 5).
NOTE: Press ENTER to save data before switching modes.
 10. Save data and Exit the Service Mode.

CIRCUIT ADJUST MODE
 Activate MENU-8-2-5-7
 FunctionAUDIO
 Item No.VIDEO
 Adjust DataADJUST
 Save Data ENTER
 ExitMENU (twice)



[Focus Circuit] 13. Dynamic Focus Preset	Purpose: To improve edge focus. Symptom: Poor focus at the edges of the screen.
---	--

Measuring Instrument	----
Test Point	----
Ext. Trigger	-----
Measuring Range	-----
Input Signal	Monoscope
Input Terminal	Video Input

1. Supply a Monoscope signal to a Video Input
2. Activate the Convergence Mode.
3. Select the DF Function under the Conv. Coarse Mode.
4. Set Items "0 DFH" and "1 DFV" to the data values given in the Table.
5. Exit the Conv. Mode.

CONVERGENCE MODE
 ActivateMENU-8-2-5-9
 Misc."6"
 Coarse....."5"
 Fine "4"
 Color (R,G or B).....AUDIO
 Item No.....VIDEO
 Adjust/Move.....ADJUST
 Cursor Toggle.....ENTER
 Save & Exit.....MENU (twice)

DF

Item #	Abbrev.	Data
0	DFH	175
1	DFV	100

[CRT Circuit] 14. Electrostatic Focus	Purpose To set electrostatic focus to the optimum point. Symptom: Poor focus.
--	--

Measuring Instrument	----
Test Point	----
Ext. Trigger	-----
Measuring Range	-----
Input Signal	Monoscope
Input Terminal	Video Input

- Note:** *This adjustment must be performed after the Sub Contrast adjustment.*
1. Supply a Monoscope signal to a Video Input
 2. Activate A/V Reset
 3. Select Red, Green or Blue rasters using the table below.
 3. Set the Red, Green and Blue Focus VRs for optimum focus at the top center of the picture..

Raster Color Selection

Color Raster	Activation Code
Red	MENU-8-2-5-9-1
Green	MENU-8-2-5-9-2
Blue	MENU-8-2-5-9-3

[Video Circuit] 15. Lens Focus	Purpose: To set the Lens position for optimum focus. Symptom: Poor focus
---	---

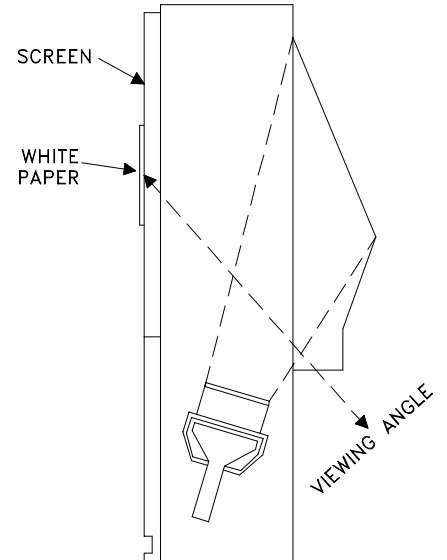
Measuring Instrument	-----
Test Point	-----
Ext. Trigger	-----
Measuring Range	-----
Input Signal	Monoscope
Input Terminal	Video Input

Note: This adjustment must follow item 6 (Electrostatic Focus). Perform this adjustment for RED, GREEN, and BLUE monochrome pictures.

1. Supply a VIDEO signal (Monoscope).
2. Cover the Red and Blue Lens (producing a green raster).
3. Adjust the Green Lens for best focus at the center of the Monoscope pattern.

Note: Attach a white paper to the screen center. During adjustment, observe the picture on the screen from inside for easier adjustment.

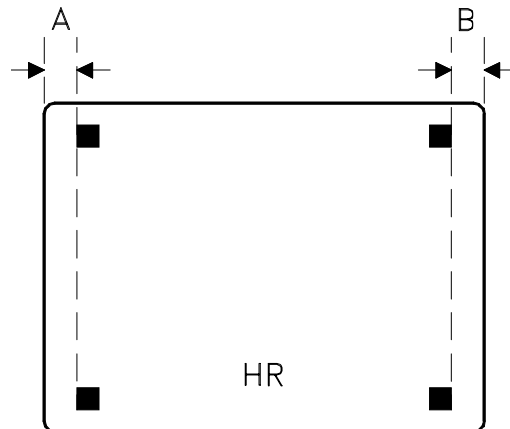
4. Repeat Steps 2 and 3 for the Red and Blue monochrome pictures.



[On Screen Display] 16.Character Position	Purpose To position the character display horizontally. Symptom: Incorrect display position
--	--

Measuring Instrument	-----
Test Point	-----
Ext. Trigger	-----
Measuring Range	-----
Input Signal	Video Signal
Input Terminal	Video Input

1. Supply a video signal to a Video Input
2. Enter the Adjustment Mode HR function.
3. Adjust so the width of (A) and (B) are equal as shown below.
3. Save data and exit the Service Mode.



CIRCUIT ADJUST MODE
 Activate MENU-8-2-5-7
 FunctionAUDIO
 Item No.VIDEO
 Adjust DataADJUST
 Save Data ENTER
 ExitMENU (twice)

[Conv/Defl] 18. Geometry Preset	Purpose: To preset data controlling raster geometry Symptom: Raster distortion.
--	--

Measuring Instrument	-----
Test Point	-----
Ext. Trigger	-----
Measuring Range	-----
Input Signal	NTSC & HD 1080i
Input Terminal	Video & DTV Inputs

Note: This procedure is usually only necessary if:

- An E2PROM is replaced in the Control or Convergence circuits.
- E2RESET or Convergence Reset has been activated.

Procedure

In the Circuit Adjustment and Coarse Convergence Modes set the data to the values given in the Tables below in both the NTSC (SD) and 1080i (HD) modes.

Note: If a HD signal is not available, use the Conv. HD With No Signal procedure described in detail on page 26, Convergence Adjustment Mode.

DEFL JUNGLE (MENU-8-2-5-7)

Item #	Abbrev.	46" Data		55/65" Data		73" Data	
		NTSC	HD	NTSC	HD	NTSC	HD
1	HWID	44	38	33	33	57	47
2	HKEY	25	30	31	31	31	31
3	EWPT	25	31	31	26	31	26
5	EWPB	20	27	20	26	20	26
7	VHGT	31	21	38	31	38	31
8	VLIN	0	0	9	9	9	9
9	VSCN	7	7	0	0	0	0
20	VPOS	63	0	31	31	31	31

CIRCUIT ADJUST MODE
 Activate MENU-8-2-5-7
 FunctionAUDIO
 Item No.VIDEO
 Adjust DataADJUST
 Save DataENTER
 ExitMENU (twice)

CONVERGENCE MODE
 ActivateMENU-8-2-5-9
 Misc."6"
 Coarse....."5"
 Fine "4"
 Color (R,G or B).....AUDIO
 Item No.....VIDEO
 Adjust/Move.....ADJUST
 Cursor Toggle.....ENTER
 Save & Exit.....MENU (twice)

CONV. HD WITH NO SIGNAL
 1. MENU-8-2-7-0
 2. Set DTV Port to 1080i
 3. MENU (twice)
 4. INPUT select DTV Inputs
 5. MENU-8-2-5-9
After adjusting, set the DTV Port to AUTO

CONV GREEN (MENU-8-2-5-9)

Item #	Abbrev.	Data (SD/HD)		
		46"	55-65"	73"
0	HSTA	-35/-35	-35/-35	-35/-35
1	SPCC	0/0	0/0	0/0
2	HWID	0/0	0/0	0/+30
3	SKEW	0/0	0/0	0/0
4	VSTA	-35/-35	-35/-35	-35/-35
5	VKEY	0/0	0/0	0/-10
6	TBPC	-220/-200	-220/-200	-220/-200
7	TILT	0/0	0/0	0/0

CONV RED (MENU-8-2-5-9)

Item #	Abbrev.	Data (SD/HD)		
		46"	55-65"	73"
0	HSTA	+75/+75	+40/+50	+40/+50
1	HLIN	-225/-210	-210/-200	-210/-200
2	SKEW	+5/+5	+10/+10	+10/+10
3	HWID	+15/+20	-25/-5	-25/-5
4	HSBW	+30/+30	+30/+30	+30/+30
5	VSTA	-20/-20	-20/-20	-20/-20
6	VKEY	-115/-85	-100/-85	-100/-85
7	TILT	0/0	0/0	0/0

CONV BLUE (MENU-8-2-5-9)

Item #	Abbrev.	Data (SD/HD)		
		46"	55-65"	73"
0	HSTA	-75/-75	-40/-40	-40/-40
1	HLIN	+240/+215	+240/+220	+240/+220
2	SKEW	0/0	-10/-10	-10/-10
3	HWID	-15/-20	-20/-5	-20/-5
4	HSBW	-45/-45	-45/-45	-45/-45
5	VSTA	-5/-5	-10/-10	-10/-10
6	VKEY	+115/+105	+115/+115	+115/+115
7	TILT	0/0	0/0	0/0

[Deflection Circuit]	Purpose: To set the height, width and linearity of the raster.
19: Deflection Geometry Height & Width Adjustment	Symptom: Incorrect height, width and/or linearity.

Measuring Instrument	-----
Test Point	-----
Ext. Trigger	-----
Measuring Range	-----
Input Signal	Monoscope (NTSC & HD 1080i)
Input Terminal	Video & DTV Inputs

Preliminary:

1. DO NOT change the initial values for "#8 VLIN" in the Defl. Jungle Function.
2. DO NOT exceed the following VHGT adjustment ranges:
 NTSC ... from -4 to +10
 HD ... FROM -10 TO +5

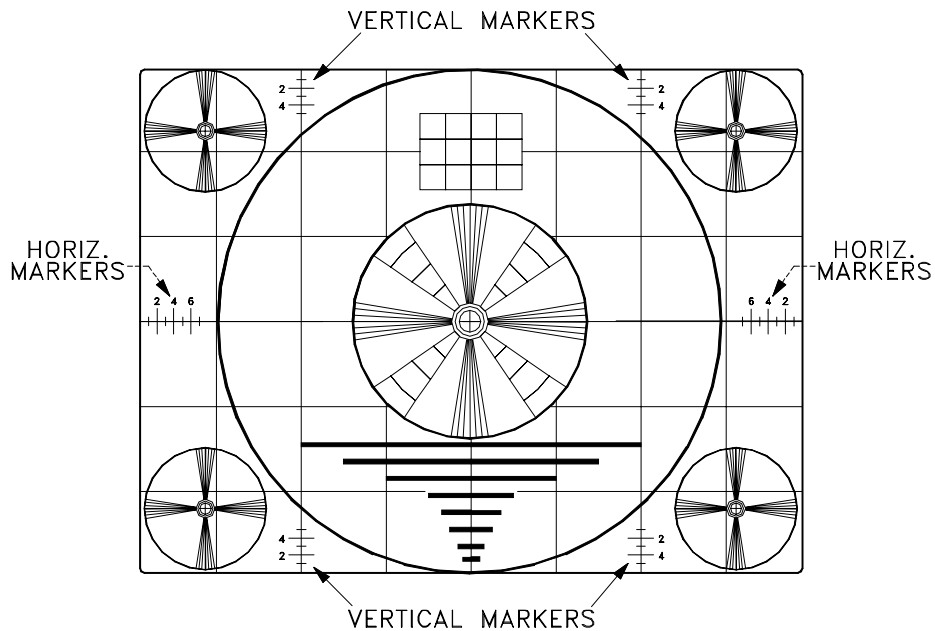
NTSC Mode

1. Supply an NTSC Monoscope signal to a Video Input.
2. Select the Monoscope as the signal source (Input button)
3. Activate the Adjustment Mode, Defl. Jungle Function.
4. Select and adjust each of the following items.
 - "7 VHGT" ... so the vertical marker sum = 4
 - "1 HWD" ... so the horizontal marker sum = 7
5. Save data and Exit the Service Mode.

HD Mode

1. Supply a HD 1080i Monoscope signal to the DTV Inputs.
2. Select the DTV Inputs as the signal source (Input button)
3. Activate the Service Mode, Defl. Jungle Function.
4. Select and adjust each of the following items.
 - "7 VHGT" ... so the vertical marker sum = 2
 - "1 HWD" ... so the horizontal marker sum = 10
5. Save data and Exit the Service Mode.

CIRCUIT ADJUST MODE
Activate MENU-8-2-5-7
FunctionAUDIO
Item No.VIDEO
Adjust DataADJUST
Save DataENTER
ExitMENU (twice)



[Convergence Circuit]	Purpose: To set the Convergence circuit geometry adjustments.
20. Convergence Geometry Adjustment	Symptom: Raster distortion at the top, bottom or sides of the picture.

Measuring Instrument	-----
Test Point	-----
Ext. Trigger	-----
Measuring Range	-----
Input Signal	NTSC -- None HD -- HD 1080i sync
Input Terminal	Video & DTV Inputs

Note: Width, Height and Linearity Adjustments must be performed before this adjustment.

NTSC mode

1. Select a Video Input with no signal.
2. Activate the Convergence Mode, Coarse Green.
3. Adjust the Coarse Green Items shown below for straight crosshatch lines.
4. Select the Fine Green Mode, a Cursor is displayed on the crosshatch.
5. Use the Cursor to adjust for straight crosshatch lines.
6. Exit the Convergence Mode.

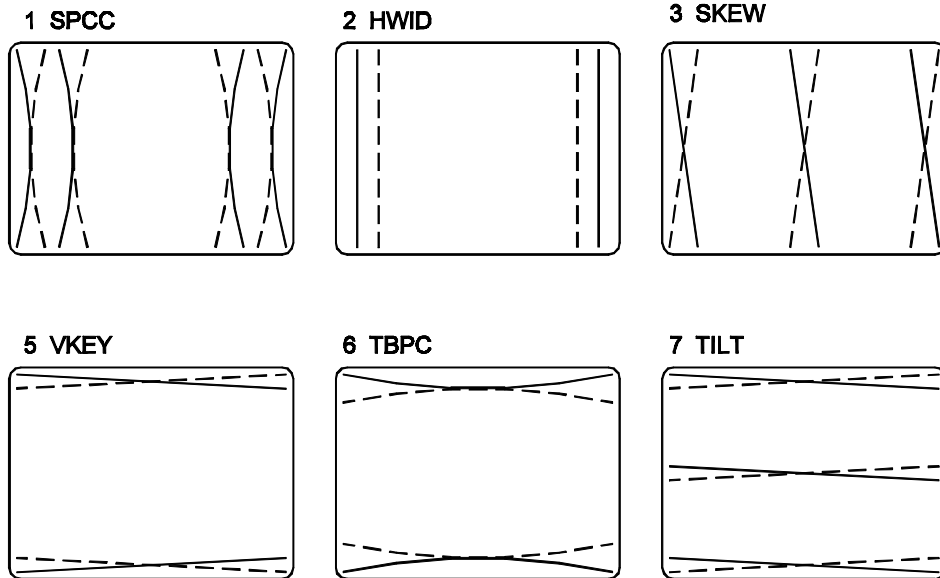
HD mode

1. Supply a HD 1080i signal to the DTV Inputs.
Note: If a HD signal is not available, use the Conv. HD With No Signal procedure described in detail on page 26, Convergence Adjustment Mode.
2. Select the DTV Inputs as the signal source (Input button)
3. Enter the Convergence Mode, Coarse Green.
4. Repeat NTSC Steps 3 through 6 in the HD mode.

CONVERGENCE MODE	
Activate	MENU-8-2-5-9
Misc.	"6"
Coarse.....	"5"
Fine	"4"
Color (R,G or B).....	AUDIO
Item No.....	VIDEO
Adjust/Move.....	ADJUST
Cursor Toggle.....	ENTER
Save & Exit.....	MENU (twice)

CONV. HD WITH NO SIGNAL
1. MENU-8-2-7-0
2. Set DTV Port to 1080i
3. MENU (twice)
4. INPUT select DTV Inputs
5. MENU-8-2-5-9
After adjusting, set the DTV Port to AUTO

COARSE GREEN ADJUSTMENTS



[Convergence Circuit]	Purpose: To converge red, green and blue at the center of the screen
21. Centering and Static Convergence	Symptom: Color edging over the entire picture.

Measuring Instrument	-----
Test Point	-----
Ext. Trigger	-----
Measuring Range	-----
Input Signal	NTSC -- Monoscope HD -- 1080i Monoscope
Input Terminal	Video & DTV Inputs

Preliminary

Degauss the shield cover and bracket unit of the CRT assembly and chassis. **DO NOT** degauss the centering ring magnets located on the yokes.

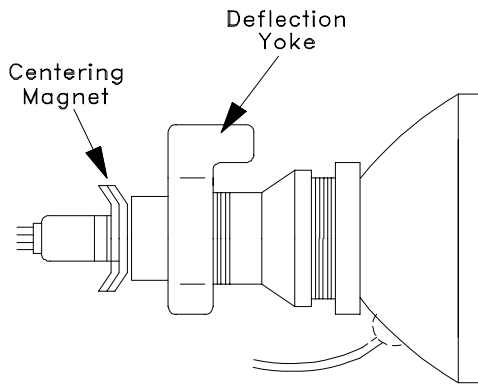
HD mode

1. Supply a HD 1080i Monoscope signal to the DTV Inputs.
2. Select the DTV Inputs as the signal source (Input button).
3. Enter the Convergence Coarse mode.
4. Set the data for the "HSTA" and "VTSA" items for red, green and blue to 0.
5. In the Coarse Green mode:
 - Center the Green Raster using the Green Centering Magnet.
 - Rotate the Green Deflection Yoke to correct any tilt.
6. In the Coarse Red mode, use the Red Centering Magnet to converge red on the green at the center of screen. Correct any red tilt with the Red Deflection Yoke.
7. In the Coarse Blue mode, repeat Step 6 using the Blue Centering magnet and the Blue Deflection Yoke.
8. Exit the Convergence mode.

SD mode

1. Supply an NTSC Monoscope signal to a Video Input.
2. Select the Monoscope as the signal source (Input button).
3. Enter the Convergence Coarse mode.
4. In the Coarse Green mode, use Items "0 HSTA" and "4 VSTA" to center the green raster.
5. In the Coarse Red mode, use Items "0 HSTA" and "5 VSTA" to converge red on the green at the center of the screen.
6. In the Coarse Blue mode, repeat step 5 to converge the blue on the green.
7. Exit the Convergence mode.

CONVERGENCE MODE	
Activate	MENU-8-2-5-9
Misc.	"6"
Coarse.....	"5"
Fine	"4"
Color (R,G or B).....	AUDIO
Item No.....	VIDEO
Adjust/Move.....	ADJUST
Cursor Toggle.....	ENTER
Save & Exit.....	MENU (twice)



[Convergence Circuit]	Purpose: To converge red and blue on green at the edges of the screen.
22. Coarse Convergence	Symptom: Color edging at the top, bottom and sides of the screen.

Measuring Instrument	----
Test Point	-----
Ext. Trigger	-----
Measuring Range	----
Input Signal	NTSC -- None HD -- HD 1080i sync
Input Terminal	Video & DTV Inputs

SD mode

1. Select an External Input with no signal.
 2. Activate the Convergence Mode, Coarse Red.
 3. Adjust the Items shown below to converge the red on the green.
 4. Select Coarse Blue mode.
 5. Adjust the Items shown below to converge the blue on the green.
- Note:** If center convergence shifts, use red and blue Items "0 HSTA" and "5 VSTA" to correct the shift.
6. Exit the Convergence Mode.

HD mode

1. Supply a HD 1080i signal to the DTV inputs, and use the "Input" button to select the DTV inputs as the source.
- Note:** If a HD signal is not available, use the Conv. HD With No Signal procedure discribed in detail on page 26, Convergence Adjustment Mode.
2. Repeat SD Steps 2 through 5 in the HD mode.
 3. Exit the Convergence mode.

CONVERGENCE MODE

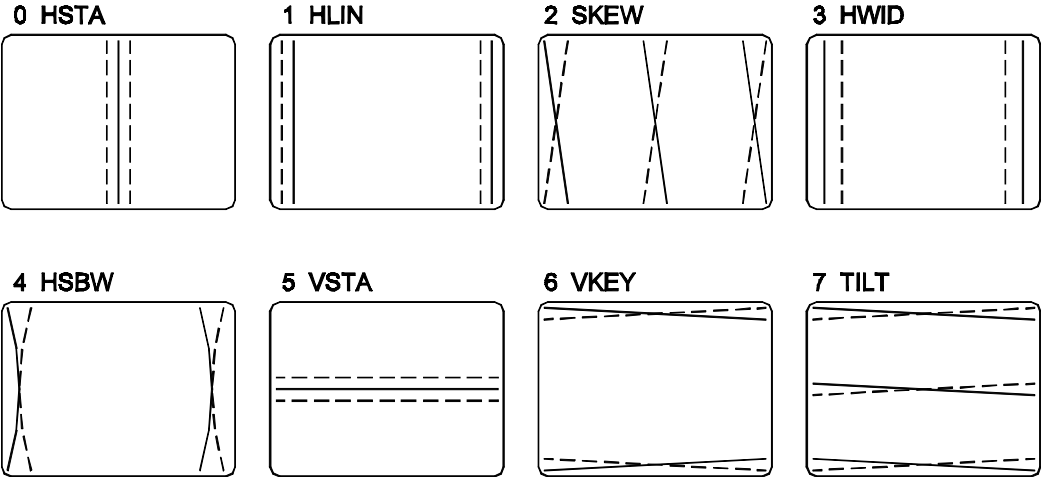
ActivateMENU-8-2-5-9
 Misc. "6"
 Coarse..... "5"
 Fine "4"
 Color (R,G or B).....AUDIO
 Item No.....VIDEO
 Adjust/Move.....ADJUST
 Cursor Toggle.....ENTER
 Save & Exit.....MENU (twice)

CONV. HD WITH NO SIGNAL

1. MENU-8-2-7-0
2. Set DTV Port to 1080i
3. MENU (twice)
4. INPUT select DTV Inputs
5. MENU-8-2-5-9

After adjusting, set the DTV Port to AUTO

COARSE CONVERGENCE RED & BLUE ADJUSTMENTS



[Convergence Circuit] 23. Fine Convergence	Purpose: To converge red, green and blue at the edges of the screen Symptom: Color edging at the edges of the picture.
---	---

Measuring Instrument	-----
Test Point	-----
Ext. Trigger	-----
Measuring Range	-----
Input Signal	NTSC -- None HD -- HD 1080i sync
Input Terminal	Video & DTV Inputs

SD Fine Adjustment

1. Select an External Input, no signal.
2. Activate the Convergence Mode, Fine Red.
3. Use the Cursor to converge red on the green.
4. Select the Fine Blue mode.
5. Use the Cursor to converge blue on the green.
6. Exit the Convergence mode.

HD Fine Adjustment

1. Supply a HD 1080i signal to the DTV inputs, and use the "Input" button to select the DTV inputs as the source.
Note: *If a HD signal is not available, use the Conv. HD With No Signal procedure discribed in detail on page 26, Convergence Adjustment Mode.*
2. Repeat SD Steps 2 through 7, in the HD mode.

<u>CONVERGENCE MODE</u>	
Activate	MENU-8-2-5-9
Misc.	"6"
Coarse.....	"5"
Fine	"4"
Color (R,G or B).....	AUDIO
Item No.....	VIDEO
Adjust/Move.....	ADJUST
Cursor Toggle.....	ENTER
Save & Exit.....	MENU (twice)

<u>CONV. HD WITH NO SIGNAL</u>	
1.	MENU-8-2-7-0
2.	Set DTV Port to 1080i
3.	MENU (twice)
4.	INPUT select DTV Inputs
5.	MENU-8-2-5-9
After adjusting, set the DTV Port to AUTO	

CHIP PARTS REPLACEMENT

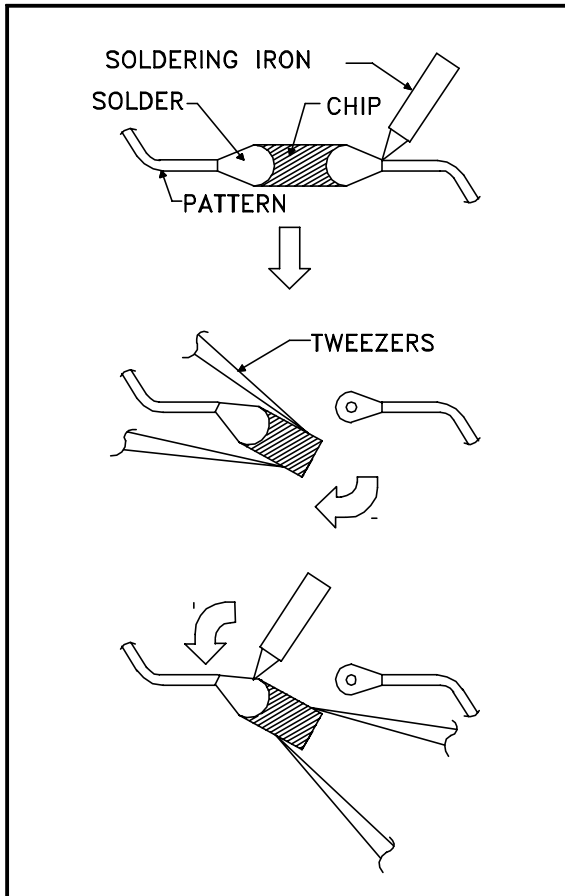
Some resistors, shorting jumpers (0 Ohm resistors), ceramic capacitors, transistors and diodes are chip parts. The following precautions should be taken when replacing these parts.

Cautions:

1. Use a fine tipped, well insulated soldering iron (approximately 30 watts), and tweezers.
2. Melt the solder and remove the chip parts carefully so as not to tear the copper foil from the printed circuit board.
3. Discard removed chips; do not reuse them.
4. Do not apply heat for more than 3 (three) seconds to new chip parts.
5. Avoid using a rubbing stroke when soldering.
6. Take care not to scratch, or damage the chip parts when soldering.
7. Supplementary cementing is not required.

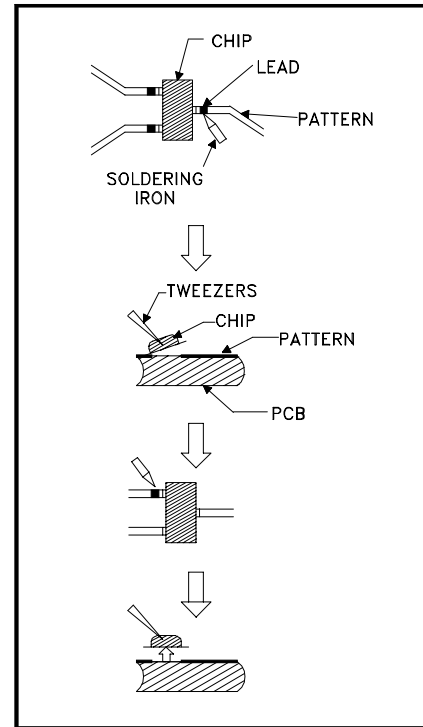
Chip Parts Removal (Resistors, Capacitors, etc.)

1. Grasp the part with tweezers. Melt the solder at both sides alternately, and remove one side of the part with a twisting motion.
2. Melt the solder at the other side and remove the part.



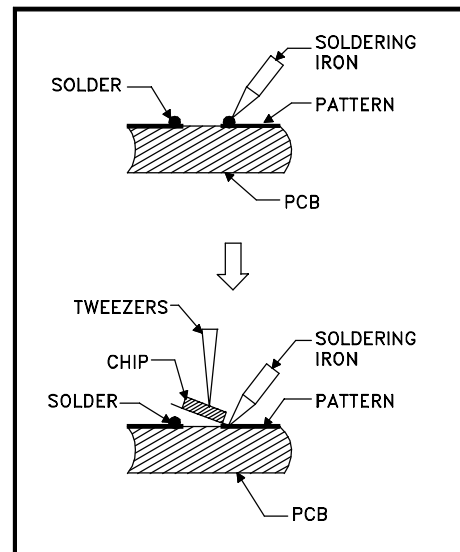
Chip Parts Removal (Transistors)

1. Melt the solder of one lead and lift the side of that lead upward.
2. Simultaneously melt the solder of the other two leads and lift the part from the PCB.



Replacement

1. Presolder the contact points on the circuit pattern.
2. Press the part downward with tweezers and apply the soldering iron as shown.



REPLACEMENT PARTS

Parts Ordering

To expedite delivery of replacement parts orders, specify the following:

1. Model Number/Serial Number
2. Part Number and description
3. Quantity

Note: Unless complete information is supplied, delay in processing of orders will result.

Critical and Warranty Parts Designation

Critical Electrical Components are indicated by **Bold Type** in the Parts List, and in the schematic diagrams by shading.

Warranty Return Parts are indicated in the Parts List with an (*).

Parts Tolerance Codes

Refer to the following chart for tolerance characteristics of electrical components.

MARK	B	C	D	F	G	J	K
Tolerance %	± 0.1	± 0.25	± 0.5	± 1	± 2	± 5	± 10

MARK	M	N	V	X	Z	P	Q
Tolerance %	± 20	± 30	± 10	+ 40 -20	+ 80 -20	+ 100 - 0	+ 30 -10

MARK	M	N	V	X	Z
Tolerance (pF)	± 0.1	± 0.25	± 0.5	± 1	± 2

QUICK REFERENCE FOR COMMON REPLACEMENT PARTS

CRT ASSEMBLIES

MODEL	ASSY-CRT-RED	ASSY-CRT-GREEN	ASSY-CRT-BLUE
WT-46807	*251C208040	*251C208050	*251C208060
WS-55807	*251C207040	*251C207050	*251C207060
WS-55857	*251C208010	*251C208020	*251C208030
WS-55907	*251C208070	*251C208080	*251C208030
WS-65807	*251C207070	*251C207080	*251C207090
WS-65857	*251C207070	*251C207080	*251C207090
WS-65907	*251C209010	*251C209020	*251C207090
WS-73907	*251C209040	*251C209050	*251C209060

REMOTE CONTROL

290P103010	REMOTE CONTROL	Only WS-55807/65807/WT-46807
290P103020	REMOTE CONTROL	All Except WS-55807/65807/WT-46807

HIGH VOLTAGE / DEFLECTION COMPONENTS

Q5A31	261P071010	HORIZ-OUT 2SC5418 RL	
Q5A51	261P08201	HV-OUT 2SK2771-01R	
T5A51	334P265040	TRANS-FLYBACK	
	920P016010	HV-BLOCK	
	129P059050	VR-FOCUS	
	330P276010	DEFL-YOKE	
	453B035010	CAP ANODE-RED	Except WS-73907
	453B035020	CAP ANODE-B&G	Except WS-73907
	453B035030	CAP ANODE-RED	Only WS-73907
	453B035040	CAP ANODE-B&G	Only WS-73907

MISCELLANEOUS

MODEL	MIRROR	LENTICULAR SCREEN	FRESNEL LENS	Diamond Shield™
WT-46807	767D055050	491P118010	491P119010	760D627050
WS-55807	767D055040	491P103010	491P104010	760D627060
WS-55857	767D055040	491P103010	491P104010	760D628010
WS-55907	767D055040	491P103010	491P104010	760D628010
WS-65807	767D048090	491P105020	491P106020	760D627080
WS-65857	767D048090	491P105010	491P106010	760D627070
WS-65907	767D048090	491P105010	491P106010	760D628020
WS-73907	767C031010	491P085020	491P086020	760D628030

[#] Model Legend: (1) WS-55807, (2) WS-55857, (3) WS-55907, (4) WS-65807, (5) WS-65857, (6) WS-65907, (7) WS-73907, (8) WT-46807

Ref #	Part #	Part Name & Description	[#]	Ref #	Part #	Part Name & Description	[#]
TUBES							
*	251C207040	ASSY-CRT-RED	1	IC6P90	272P379020	IC - LM1881MX (NSC)	
*	251C207050	ASSY-CRT-GREEN	1	IC7A00	275P497010	IC-C-MOS - MN102HF57KCES	
*	251C207060	ASSY-CRT-BLUE	1	IC7A01	274P901010	IC-C-MOS - TC74HCT7007AF-EL	
*	251C207070	ASSY-CRT-RED	4&5	IC7C01	275P533010	IC-C-MOS - M24C64WM6T	
*	251C207080	ASSY-CRT-GREEN	4&5	IC7C02	275P533010	IC-C-MOS - M24C64WM6T	
*	251C207090	ASSY-CRT-BLUE	4-6	IC7C03	275P419010	IC-C-MOS - SN74AHCT1G126DBV	
*	251C208010	ASSY-CRT-RED	2	IC7C05	270P645010	IC - TDA8444T	
*	251C208020	ASSY-CRT-GREEN	2	IC7C06	267P131010	HIC - SI-3033C	23567
*	251C208030	ASSY-CRT-BLUE	2&3	IC7C07	270P817010	IC - L4931CDT33-TR	
*	251C208040	ASSY-CRT-RED	8	IC7C08	270P706020	IC - MAX823REUK	
*	251C208050	ASSY-CRT-GREEN	8	IC7C10	275P419010	IC-C-MOS - SN74AHCT1G126DBV	
*	251C208060	ASSY-CRT-BLUE	8	IC7D00	275P451010	IC-C-MOS - TC74HC4066AFN-ELP	
*	251C208070	ASSY-CRT-RED	3	IC7D01	275P560010	IC - ADS931E	
*	251C208080	ASSY-CRT-GREEN	3	IC7D02	275P560010	IC - ADS931E	
*	251C209010	ASSY-CRT-RED	6	IC7D03	275P560010	IC - ADS931E	
*	251C209020	ASSY-CRT-GREEN	6	IC7D10	275P535010	IC-C-MOS - TC74AC157FN-ELP	
*	251C209040	ASSY-CRT-RED	7	IC7D11	275P535010	IC-C-MOS - TC74AC157FN-ELP	
*	251C209050	ASSY-CRT-GREEN	7	IC7E00	275P451010	IC-C-MOS - TC74HC4066AFN-ELP	
*	251C209060	ASSY-CRT-BLUE	7	IC7E01	275P560010	IC - ADS931E	
INTEGRATED CIRCUITS							
IC2C01	275P496010	IC-C-MOS - UPD64082GF-3BA		IC7E02	275P560010	IC - ADS931E	
IC2C02	275P531010	IC-C-MOS - MSM54V16258B-45TS-K		IC7E03	275P560010	IC - ADS931E	
IC2C03	270P817010	IC - L4931CDT33-TR		IC7E10	275P535010	IC-C-MOS - TC74AC157FN-ELP	
IC2C04	270P526020	IC - MM1111XF		IC7E11	275P535010	IC-C-MOS - TC74AC157FN-ELP	
IC2K01	270P623010	IC - CXA2069Q		IC7G01	275P247010	IC-C-MOS - MB40C958VPFV	
IC2L01	270P623010	IC - CXA2069Q		IC7G04	275P534010	IC-C-MOS - TC74HCT574AFW-ELP	
IC2V00	270P663020	IC - CXA2101AQ		IC7G05	275P534010	IC-C-MOS - TC74HCT574AFW-ELP	
IC2V01	275P581010	IC-C-MOS - TC7SET08FU		IC7H00	275P405010	IC-C-MOS - MSM56V16160D-10TS-K	
IC2X01	270P781010	IC - BA7078AF		IC7H01	275P405010	IC-C-MOS - MSM56V16160D-10TS-K	
IC2X02	270P781010	IC - BA7078AF		IC7H02	275P436010	IC - TMC57127PPM	
IC2X06	270P777010	IC - TDA9177		IC7H03	275P439020	IC - MSM53403E	
IC2X07	274P378010	IC-C-MOS - TC74HC4053AF		IC7H04	270P506010	IC - M51957BFP	
IC2X08	275P423010	IC-C-MOS - MAX4583CSE		IC7H05	263P384010	IC-C-MOS - TC74HC221AF-EL	
IC2Y01	274P378010	IC-C-MOS - TC74HC4053AF		IC7H06	270P348010	IC - TLC2932IPW	
IC2Y02	275P423010	IC-C-MOS - MAX4583CSE		IC7H07	275P437020	IC - SLA4028	
IC2Y03	274P378010	IC-C-MOS - TC74HC4053AF		IC7H08	270P348010	IC - TLC2932IPW	
IC2Y04	275P423010	IC-C-MOS - MAX4583CSE		IC7H09	274P901010	IC-C-MOS - TC74HCT7007AF-EL	
IC2Y05	274P378010	IC-C-MOS - TC74HC4053AF		IC7H11	275P535010	IC-C-MOS - TC74AC157FN-ELP	
IC2Y06	275P423010	IC-C-MOS - MAX4583CSE		IC7H12	275P535010	IC-C-MOS - TC74AC157FN-ELP	
IC2Y07	274P378010	IC-C-MOS - TC74HC4053AF		IC7H13	275P535010	IC-C-MOS - TC74AC157FN-ELP	
IC2Y08	275P423010	IC-C-MOS - MAX4583CSE		IC7H14	275P535010	IC-C-MOS - TC74AC157FN-ELP	
IC2Y09	274P378010	IC-C-MOS - TC74HC4053AF		IC7K21	270P831010	IC-C-MOS - OPA2350PA	23567
IC2Y10	275P423010	IC-C-MOS - MAX4583CSE		IC8A00	275P223010	IC-C-MOS - CM0007AF	
IC3A01	270P467010	IC - TDA9855		IC8A01	275P222020	IC-C-MOS - M24C32MN6T	
IC3E01	270P750010	IC - LA4663		IC8A02	270P348010	IC - TLC2932IPW	
IC4A01	270P664010	IC - CXA2102Q		IC8A03	275P420010	IC-C-MOS - MC74HC74AD	
IC4A02	270P575030	IC - NJM78M09DLA - TE1		IC8C01	267P150010	HIC - STK392-570	
IC4A03	263P384010	IC-C-MOS - TC74HC221AF-EL		IC8C02	267P150010	HIC - STK392-570	
IC4B01	270P261020	IC - TDA8177		IC8D01	263P408020	IC-C-MOS - UPD6376GS	
IC5A00	267P143020	KIC - MSPAD101		IC8D02	263P408020	IC-C-MOS - UPD6376GS	
IC5A01	272P237010	IC - LA6324N		IC8D03	263P408020	IC-C-MOS - UPD6376GS	
IC5A02	266P154010	IC - UPC393C		IC8D04	263P408020	IC-C-MOS - UPD6376GS	
IC5A03	270P704010	IC - LM4040BIZ-10.0		IC8D05	263P408020	IC-C-MOS - UPD6376GS	
IC5A05	270P816010	IC - NJM431L		IC8D06	263P408020	IC-C-MOS - UPD6376GS	
IC6M00	270P658020	IC - CXA2019AQ		IC8D07	270P751010	IC - TL084CD	
IC6M90	272P379020	IC - LM1881MX (NSC)		IC8D08	270P751010	IC - TL084CD	
IC6P00	270P658020	IC - CXA2019AQ		IC8D09	270P751010	IC - TL084CD	
				IC8D10	272P603010	IC - LM78L05ACZ/NJM78L05A	
				IC8M01	275P291010	IC-C-MOS - M32000D4AFP	23567
				IC8M02	275P557010	IC-C-MOS - TC74LCX32FN-ELP	23567
				IC8M03	275P552020	IC-C-MOS - MBM29LV160TE-70PFTN	23567

[#] Model Legend: (1) WS-55807, (2) WS-55857, (3) WS-55907, (4) WS-65807, (5) WS-65857, (6) WS-65907, (7) WS-73907, (8) WT-46807

Ref #	Part #	Part Name & Description	[#]
IC8M04	270P614010	IC - PST9128NR	23567
IC8M05	275P556010	IC-C-MOS - TC74LCX08FN-ELP	23567
IC8N00	275P553010	IC-C-MOS - CYBERPRO 5000	23567
IC8N01	275P487010	IC-C-MOS - MSM54V25632A-10AGBK4	23567
IC8N02	275P487010	IC-C-MOS - MSM54V25632A-10AGBK4	23567
IC8S01	275P104020	IC-C-MOS - M65439BFP	23567
IC8S02	275P562010	IC-C-MOS - TC74LCX245FW-ELP	23567
IC9A20	267P151010	HIC - STR-G6632	
IC9A21	270P816010	IC - NJM431L	
IC9A50	267P140020	HIC - STR-F6628	
IC9A51	267P062050	HIC - SE110N	
IC9C01	270P210010	IC - NJM7809FA/AN7809F	
IC9C02	267P131010	HIC - SI-3033C	
IC9C03	270P575030	IC - NJM78M09DLA - TE1	
IC9C05	270P210010	IC - NJM7809FA/AN7809F	

TRANSISTORS

TR-CHIP Type (Listed by Generic Number)

Type	Part No.	Description
PNP	261P801010	2SA1252-5.6
NPN	260P817010	2SA1037K-Q
PNP	260P817030	2SA1037K-S
NPN	260P818010	2SC2412K-Q
NPN	260P818030	2SC2412K-S
NPN	260P835030	2SC2413K-Q
IMZ1	260P849010	IMZI

Conventional Transistors (By Ref #)

Ref #	Part No/	Description	[#]
Q2W06	260P533010	TR - 2SC3598-E	
Q2W09	260P533010	TR - 2SC3598-E	
Q2W12	260P533010	TR - 2SC3598-E	
Q4B01	260P559030	TR - 2SC1740S-S	
Q5A01	260P788010	TR - 2SC4690-O	
Q5A02	260P561020	TR - 2SA1371-E	
Q5A03	260P386010	TR - 2SC2230-GR	
Q5A04	260P559030	TR - 2SC1740S-S	
Q5A05	260P560040	TR - 2SA933S-S	
Q5A06	260P560040	TR - 2SA933S-S	
Q5A07	260P560040	TR - 2SA933S-S	
Q5A08	260P325030	TR - 2SC2655-Y	
Q5A31	261P071010	TR - 2SC5418 RL	
Q5A32	260P587040	TR - 2SC2333-M,L	
Q5A33	260P559030	TR - 2SC1740S-S	
Q5A34	260P691010	TR - 2SA1358-Y	
Q5A35	260P386010	TR - 2SC2230-GR	
Q5A36	260P630010	TR - 2SD2012	
Q5A37	260P559030	TR - 2SC1740S-S	
Q5A38	260P559030	TR - 2SC1740S-S	
Q5A51	261P082010	TR - 2SK2771-01R	
Q5H08	260P559050	TR - 2SC1740S-E	
Q5H09	260P559050	TR - 2SC1740S-E	
Q5H10	260P560040	TR - 2SA933S-S	
Q5H11	260P573020	TR - 2SB940A-P	
Q5H12	260P574020	TR - 2SD1264A-P	
Q5K00	260P664030	TR - 2SC4636	
Q5K01	260P664030	TR - 2SC4636	
Q5K02	260P559050	TR - 2SC1740S-E	
Q5K03	260P560040	TR - 2SA933S-S	

Ref #	Part #	Part Name & Description	[#]
Q6B00	260P649020	TR - 2SC3942	
Q6B02	260P696010	TR - 2SC3790	
Q6B03	260P627020	TR - 2SA1480-D,E	
Q6B04	260P560040	TR - 2SA933S-S	
Q6G00	260P649020	TR - 2SC3942	
Q6G02	260P696010	TR - 2SC3790	
Q6G03	260P627020	TR - 2SA1480-D,E	
Q6R00	260P649020	TR - 2SC3942	
Q6R02	260P696010	TR - 2SC3790	
Q6R03	260P627020	TR - 2SA1480-D,E	
Q7A02	261P114010	TR - 2SA1585STPR	23567
Q7B10	260P560040	TR - 2SA933S-S	1-8
Q7K11	260P559030	TR - 2SC1740S-S	235678
Q7K12	260P560040	TR - 2SA933S-S	235678
Q7K21	260P559030	TR - 2SC1740S-S	23567
Q7L21	260P559030	TR - 2SC1740S-S	1&4
Q7L22	260P560040	TR - 2SA933S-S	1&4
Q9A20	261P101010	TR - PHP21N06T	
Q9A21	260P559030	TR - 2SC1740S-S	
Q9A22	260P559030	TR - 2SC1740S-S	
Q9A23	261P101010	TR - PHP21N06T	
Q9A50	260P416030	TR - 2SC2274-F,K-F	
Q9A51	260P559030	TR - 2SC1740S-S	
Q9A53	260P559030	TR - 2SC1740S-S	
Q9A54	260P559030	TR - 2SC1740S-S	

DIODES

D2J08	264P484040	DIODE - RD5.6FB3	
D2J09	264P484040	DIODE - RD5.6FB3	
D2V44	264P822010	D-CHIP - HSM2838	
D2W01	264P822010	D-CHIP - HSM2838	
D2W02	264P822010	D-CHIP - HSM2838	
D2W03	264P501030	DIODE - HZ2CLL	
D2W04	264P501040	DIODE - HZ3ALL	
D4B01	264D056020	DIODE - S5500D/EM 1Z/ERB12-02RK	
D4B02	264P045040	DIODE - 1S24710M	
D4B03	264P483070	DIODE - RD5.1FB1	
D4B04	264P045040	DIODE - 1S24710M	
D5A01	264P045040	DIODE - 1S24710M	
D5A02	264D056020	DIODE - S5500D/EM 1Z/ERB12-02RK	
D5A12	264P045040	DIODE - 1S24710M	
D5A13	264P483070	DIODE - RD5.1FB1	
D5A14	264P045040	DIODE - 1S24710M	
D5A15	264P045040	DIODE - 1S24710M	
D5A34	264P483070	DIODE - RD5.1FB1	
D5A35	264P045040	DIODE - 1S24710M	
D5A36	264P045040	DIODE - 1S24710M	
D5A37	264P521040	DIODE - EU1A	
D5A51	262P039010	DIODE - BYW96E/20	
D5A52	264P899010	DIODE - BYV26E	
D5A53	264P466040	DIODE - EQA02-15AB/RD16EB1	
D5A54	264P724010	DIODE - STF14	
D5A55	264P724010	DIODE - STF14	
D5A56	264P045040	DIODE - 1S24710M	
D5A57	264P521040	DIODE - EU1A	
D5A58	264P045040	DIODE - 1S24710M	
D5A59	264P045040	DIODE - 1S24710M	
D5A60	264P466040	DIODE - EQA02-15AB/RD16EB1	
D5H01	264P045040	DIODE - 1S24710M	

[#] Model Legend: (1) WS-55807, (2) WS-55857, (3) WS-55907, (4) WS-65807, (5) WS-65857, (6) WS-65907, (7) WS-73907, (8) WT-46807

Ref #	Part #	Part Name & Description	[#]	Ref #	Part #	Part Name & Description	[#]
D5H02	264P045040	DIODE - 1S24710M		COILS			
D5H09	264P045040	DIODE - 1S24710M		L1A06	409P923060	EMI-F-CHIP - BLM21B272S	
D5K01	264P528030	DIODE - RP1H		L1A07	409P923060	EMI-F-CHIP - BLM21B272S	
D5K02	264P543010	DIODE - EG01		L1A13	409P923060	EMI-F-CHIP - BLM21B272S	
D5K03	264P543010	DIODE - EG01		L1B06	409P923060	EMI-F-CHIP - BLM21B272S	
D5K10	264P528030	DIODE - RP1H		L1B07	409P923060	EMI-F-CHIP - BLM21B272S	
D5K11	264P528030	DIODE - RP1H		L1B13	409P923060	EMI-F-CHIP - BLM21B272S	
D6B00	264P573020	DIODE - EG1A		L2C01	325C146050	COIL-CHIP - 15MH-J	
D6B02	264P045040	DIODE - 1S24710M		L2C03	409P777080	EMI-F-CHIP - BLM21P221S	
D6B03	264P457080	DIODE - RD3.3EB1		L2C05	409P777080	EMI-F-CHIP - BLM21P221S	
D6B04	264P045040	DIODE - 1S24710M		L2C06	409P777080	EMI-F-CHIP - BLM21P221S	
D6B06	264P045040	DIODE - 1S24710M		L2C32	409P777080	EMI-F-CHIP - BLM21P221S	
D6G00	264P573020	DIODE - EG1A		L2D01	325C141030	COIL-CHIP - 10MH-K	
D6G02	264P045040	DIODE - 1S24710M		L2D02	325C146030	COIL-CHIP - 10MH-J	
D6G04	264P045040	DIODE - 1S24710M		L2D03	325C146030	COIL-CHIP - 10MH-J	
D6G06	264P045040	DIODE - 1S24710M		L2J01	409P777050	EMI-F-CHIP - BLM21B201S	
D6R00	264P573020	DIODE - EG1A		L2J02	409P777050	EMI-F-CHIP - BLM21B201S	
D6R02	264P045040	DIODE - 1S24710M		L2J03	409P777050	EMI-F-CHIP - BLM21B201S	
D6R04	264P045040	DIODE - 1S24710M		L2J04	409P777050	EMI-F-CHIP - BLM21B201S	
D6R06	264P045040	DIODE - 1S24710M		L2J05	409P777050	EMI-F-CHIP - BLM21B201S	
D7C03	264P045040	DIODE - 1S24710M		L2J07	409P777050	EMI-F-CHIP - BLM21B201S	
D7C04	264P045040	DIODE - 1S24710M		L2J66	409P777080	EMI-F-CHIP - BLM21P221S	
D7C06	264P822010	D-CHIP - HSM2838	23567	L2K42	409P777080	EMI-F-CHIP - BLM21P221S	
D7C07	264P822010	D-CHIP - HSM2838		L2K46	325C147080	COIL-CHIP - 180MH-J	
D7C08	264P822010	D-CHIP - HSM2838		L2K55	325C147080	COIL-CHIP - 180MH-J	
D7H01	264P822010	D-CHIP - HSM2838		L2K65	409P777080	EMI-F-CHIP - BLM21P221S	
D7K01	264P212020	D-LED - LN31GPH	235678	L2K77	409P777080	EMI-F-CHIP - BLM21P221S	
D7K12	264P501050	DIODE - HZ3BLL	235678	L2L42	409P777080	EMI-F-CHIP - BLM21P221S	
D7K21	268P100010	PHOTO DIODE - SFH235FA	23567	L2L46	325C147080	COIL-CHIP - 180MH-J	
D7K22	264P045040	DIODE - 1S24710M	23567	L2L55	325C147080	COIL-CHIP - 180MH-J	
D7L21	264P212020	D-LED - LN31GPH	1&4	L2V06	409P923060	EMI-F-CHIP - BLM21B272S	
D7L23	264P501050	DIODE - HZ3BLL	1&4	L2V72	409P923060	EMI-F-CHIP - BLM21B272S	
D8C01	264P045040	DIODE - 1S24710M		L2W01	409P923060	EMI-F-CHIP - BLM21B272S	
D8D03	264P486060	DIODE - RD9.1FB3		L2W02	409P923060	EMI-F-CHIP - BLM21B272S	
D8D04	264P486060	DIODE - RD9.1FB3		L2W03	409P923060	EMI-F-CHIP - BLM21B272S	
D9A01	262P031010	DIODE - D6SB80		L2W04	409P923060	EMI-F-CHIP - BLM21B272S	
D9A21	264P899010	DIODE - BYV26E		L2W05	409P923060	EMI-F-CHIP - BLM21B272S	
D9A22	264P045040	DIODE - 1S24710M		L2W76	409P923060	EMI-F-CHIP - BLM21B272S	
D9A23	264P045040	DIODE - 1S24710M		L2X01	409P923060	EMI-F-CHIP - BLM21B272S	
D9A24	264P045040	DIODE - 1S24710M		L2X04	409P923060	EMI-F-CHIP - BLM21B272S	
D9A25	264P045040	DIODE - 1S24710M		L2Y01	409P923060	EMI-F-CHIP - BLM21B272S	
D9A26	264P045040	DIODE - 1S24710M		L2Y03	409P923060	EMI-F-CHIP - BLM21B272S	
D9A27	264P045040	DIODE - 1S24710M		L2Y04	409P923060	EMI-F-CHIP - BLM21B272S	
D9A30	264P566010	DIODE - FMP-G12S		L2Y06	409P923060	EMI-F-CHIP - BLM21B272S	
D9A31	264P045040	DIODE - 1S24710M		L2Y07	409P923060	EMI-F-CHIP - BLM21B272S	
D9A32	264P487070	DIODE - RD12FB1		L3A37	409P923060	EMI-F-CHIP - BLM21B272S	
D9A33	264P628010	DIODE - FMB-G14L		L4A02	325C461030	COIL-PEAKING - 10MH-K	
D9A50	264P045040	DIODE - 1S24710M		L4A03	409P777080	EMI-F-CHIP - BLM21P221S	
D9A52	264P045040	DIODE - 1S24710M		L4B01	321C130010	COIL-RF - 2MH +/- 15%	
D9A53	264P045040	DIODE - 1S24710M		L4B02	321C130090	COIL-RF - 10MH-K	
D9A54	264P045040	DIODE - 1S24710M		L5A31	411P001010	LEAD-FERRITE	
D9A55	264P045040	DIODE - 1S24710M		L5A33	333P052030	COIL-HORIZ-LIN	
D9A56	264P566010	DIODE - FMP-G12S		L5A34	321C130010	COIL-RF - 2MH +/- 15%	
D9A57	264P899010	DIODE - BYV26E		L5A51	321C141030	COIL-RF - 10MH-K	
D9A58	264P588010	DIODE - FML-G16S		L5A52	321C141030	COIL-RF - 10MH-K	
D9A64	264P045040	DIODE - 1S24710M		L5A53	321C141010	COIL-RF - 6.8MH-M	
D9A65	264P045040	DIODE - 1S24710M		L5A54	411D009020	CORE-FERRITE	
D9A66	264P045040	DIODE - 1S24710M		L5A55	411D009020	CORE-FERRITE	
				L5H41	325C110090	COIL-PEAKING - 4.7MH-K	
				L6B00	325C461010	COIL-PEAKING - 6.8MH-K	

MODELS: WT-46807 / WS-55807 / WS-55857 / WS-55907 / WS-65807 / WS-65857 / WS-65907 / WS-73907

[#] Model Legend: (1) WS-55807, (2) WS-55857, (3) WS-55907, (4) WS-65807, (5) WS-65857, (6) WS-65907, (7) WS-73907, (8) WT-46807

Ref #	Part #	Part Name & Description	[#]
L6B01	325C461040	COIL-PEAKING - 12MH-K	
L6B02	325C460080	COIL-PEAKING - 3.9MH-K	
L6B03	325C461030	COIL-PEAKING - 10MH-K	
L6G00	325C461010	COIL-PEAKING - 6.8MH-K	
L6G01	325C461040	COIL-PEAKING - 12MH-K	
L6G02	325C460080	COIL-PEAKING - 3.9MH-K	
L6G03	325C461030	COIL-PEAKING - 10MH-K	
L6M01	409P923060	EMI-F-CHIP - BLM21B272S	
L6M03	409P777080	EMI-F-CHIP - BLM21P221S	
L6M25	409P777080	EMI-F-CHIP - BLM21P221S	
L6P03	409P923060	EMI-F-CHIP - BLM21B272S	
L6P25	409P923060	EMI-F-CHIP - BLM21B272S	
L6R00	325C461010	COIL-PEAKING - 6.8MH-K	
L6R01	325C461040	COIL-PEAKING - 12MH-K	
L6R02	325C460080	COIL-PEAKING - 3.9MH-K	
L6R03	325C461030	COIL-PEAKING - 10MH-K	
L6R04	321C141010	COIL-RF - 6.8MH-M	
L7B28	409P923060	EMI-F-CHIP - BLM21B272S	
L7B41	409P923060	EMI-F-CHIP - BLM21B272S	
L7C02	409P923060	EMI-F-CHIP - BLM21B272S	
L7C03	409P777050	EMI-F-CHIP - BLM21B201S	
L7C04	409P777050	EMI-F-CHIP - BLM21B201S	
L7C05	409P777050	EMI-F-CHIP - BLM21B201S	
L7C06	409P923060	EMI-F-CHIP - BLM21B272S	
L7C07	409P777050	EMI-F-CHIP - BLM21B201S	
L7C08	409P923060	EMI-F-CHIP - BLM21B272S	
L7C09	409P923060	EMI-F-CHIP - BLM21B272S	
L7C10	409P923060	EMI-F-CHIP - BLM21B272S	
L7C11	409P923060	EMI-F-CHIP - BLM21B272S	
L7C12	325C241030	COIL-CHIP - 10MH-K	1-8
L7D00	325C241030	COIL-CHIP - 10MH-K	
L7D01	325C241030	COIL-CHIP - 10MH-K	
L7D11	325C242010	COIL-CHIP - 47MH-K	
L7D12	409P777020	EMI-F-CHIP - BLM21A05	
L7D13	325C241030	COIL-CHIP - 10MH-K	
L7D14	325C241030	COIL-CHIP - 10MH-K	
L7D15	325C241030	COIL-CHIP - 10MH-K	
L7E00	325C241030	COIL-CHIP - 10MH-K	
L7E01	325C241030	COIL-CHIP - 10MH-K	
L7E11	325C242010	COIL-CHIP - 47MH-K	
L7E12	409P777020	EMI-F-CHIP - BLM21A05	
L7E13	325C241030	COIL-CHIP - 10MH-K	
L7E14	325C241030	COIL-CHIP - 10MH-K	
L7E15	325C241030	COIL-CHIP - 10MH-K	
L7G00	325C242050	COIL-CHIP - 100MH-K	
L7G10	325C242010	COIL-CHIP - 47MH-K	
L7G11	325C241030	COIL-CHIP - 10MH-K	
L7G12	325C241030	COIL-CHIP - 10MH-K	
L7H00	325C241030	COIL-CHIP - 10MH-K	
L7H10	325C241030	COIL-CHIP - 10MH-K	
L7H11	409P777080	EMI-F-CHIP - BLM21P221S	
L7H12	325C241030	COIL-CHIP - 10MH-K	
L7H13	325C241030	COIL-CHIP - 10MH-K	
L7H14	325C241030	COIL-CHIP - 10MH-K	
L7H15	325C241030	COIL-CHIP - 10MH-K	
L7H16	325C241030	COIL-CHIP - 10MH-K	
L7H17	325C241030	COIL-CHIP - 10MH-K	
L7H18	325C241030	COIL-CHIP - 10MH-K	
L7H19	409P777080	EMI-F-CHIP - BLM21P221S	
L7H20	325C241030	COIL-CHIP - 10MH-K	

Ref #	Part #	Part Name & Description	[#]
L7H30	325C241030	COIL-CHIP - 10MH-K	
L7H31	325C241030	COIL-CHIP - 10MH-K	
L7H32	409P777080	EMI-F-CHIP - BLM21P221S	
L7H38	325C241030	COIL-CHIP - 10MH-K	
L7H40	325C241030	COIL-CHIP - 10MH-K	
L7H41	409P777080	EMI-F-CHIP - BLM21P221S	
L7H42	409P777080	EMI-F-CHIP - BLM21P221S	
L7H50	409P777080	EMI-F-CHIP - BLM21P221S	
L7H60	325C241030	COIL-CHIP - 10MH-K	
L7H70	325C241030	COIL-CHIP - 10MH-K	
L7H80	325C241030	COIL-CHIP - 10MH-K	
L7K01	325C121030	COIL-PEAKING - 10MH-K	
L8A00	409P777080	EMI-F-CHIP - BLM21P221S	
L8A01	409P777080	EMI-F-CHIP - BLM21P221S	
L8A02	409P777080	EMI-F-CHIP - BLM21P221S	
L8A03	409P777080	EMI-F-CHIP - BLM21P221S	
L8A04	325C461030	COIL-PEAKING - 10MH-K	
L8C01	321C142030	COIL-RF - 68MH-K	
L8C02	321C142030	COIL-RF - 68MH-K	
L8C03	321C142030	COIL-RF - 68MH-K	
L8C04	321C142030	COIL-RF - 68MH-K	
L8D02	409P777080	EMI-F-CHIP - BLM21P221S	
L8D03	409P777080	EMI-F-CHIP - BLM21P221S	
L8D04	409P777080	EMI-F-CHIP - BLM21P221S	
L8M01	409P777050	EMI-F-CHIP - BLM21B201S	23567
L8M100	409P777050	EMI-F-CHIP - BLM21B201S	23567
L8M45	409P777050	EMI-F-CHIP - BLM21B201S	23567
L8M80	409P777050	EMI-F-CHIP - BLM21B201S	23567
L8MF47	409P777050	EMI-F-CHIP - BLM21B201S	23567
L8N103	409P777050	EMI-F-CHIP - BLM21B201S	23567
L8N122	409P777050	EMI-F-CHIP - BLM21B201S	23567
L8N14	409P777050	EMI-F-CHIP - BLM21B201S	23567
L8N153	409P777050	EMI-F-CHIP - BLM21B201S	23567
L8N155	409P777050	EMI-F-CHIP - BLM21B201S	23567
L8N30	409P777050	EMI-F-CHIP - BLM21B201S	23567
L8N31	409P777050	EMI-F-CHIP - BLM21B201S	23567
L8N32	409P777050	EMI-F-CHIP - BLM21B201S	23567
L8N40	409P777050	EMI-F-CHIP - BLM21B201S	23567
L8N43	409P777050	EMI-F-CHIP - BLM21B201S	23567
L8N44	409P777050	EMI-F-CHIP - BLM21B201S	23567
L8N51	409P777050	EMI-F-CHIP - BLM21B201S	23567
L8S01	409P777050	EMI-F-CHIP - BLM21B201S	23567
L8S132	409P777050	EMI-F-CHIP - BLM21B201S	23567
L8S176	409P777050	EMI-F-CHIP - BLM21B201S	23567
L8S48	409P777050	EMI-F-CHIP - BLM21B201S	23567
L8X01	409P777050	EMI-F-CHIP - BLM21B201S	23567
L9A02	351P209010	LINE FILTER - SU16VD-40010	
L9A20	411D009020	CORE-FERRITE	
L9A21	411D009020	CORE-FERRITE	
L9A22	321C141070	COIL-RF - 22MH-K	
L9A23	321C141070	COIL-RF - 22MH-K	
L9A24	321C141070	COIL-RF - 22MH-K	
L9A50	411D009020	CORE-FERRITE	
L9A51	411D009020	CORE-FERRITE	
L9A52	411D009020	CORE-FERRITE	
L9A53	321C141010	COIL-RF - 6.8MH-M	
L9A54	411D009020	CORE-FERRITE	
L9A55	321C142030	COIL-RF - 68MH-K	
L9A56	411D009020	CORE-FERRITE	
L9A57	321C141070	COIL-RF - 22MH-K	

[#] Model Legend: (1) WS-55807, (2) WS-55857, (3) WS-55907, (4) WS-65807, (5) WS-65857, (6) WS-65907, (7) WS-73907, (8) WT-46807

Ref #	Part #	Part Name & Description	[#]
L9A62	321C141010	COIL-RF - 6.8MH-M	
L9A63	321C141010	COIL-RF - 6.8MH-M	
L9A64	321C130090	COIL-RF - 10MH-K	
L9A65	321C141070	COIL-RF - 22MH-K	
L9A66	321C141070	COIL-RF - 22MH-K	
L9A67	321C130090	COIL-RF - 10MH-K	
L9D00	351P203010	LINE-FILTER - SS35V-45022	
L9D01	351P203010	LINE-FILTER - SS35V-45022	
LC7D02	409P875090	EMI-F-CHIP - ELKE103FA	
LC7D05	409P875090	EMI-F-CHIP - ELKE103FA	
LC7D10	409P876020	EMI-F-CHIP - CNF20C470S/CKD510JB1H470S	
LC7D11	409P876020	EMI-F-CHIP - CNF20C470S/CKD510JB1H470S	
LC7D12	409P876020	EMI-F-CHIP - CNF20C470S/CKD510JB1H470S	
LC7D13	409P876020	EMI-F-CHIP - CNF20C470S/CKD510JB1H470S	
LC7D14	409P876020	EMI-F-CHIP - CNF20C470S/CKD510JB1H470S	
LC7E10	409P876020	EMI-F-CHIP - CNF20C470S/CKD510JB1H470S	
LC7E11	409P876020	EMI-F-CHIP - CNF20C470S/CKD510JB1H470S	
LC7E12	409P876020	EMI-F-CHIP - CNF20C470S/CKD510JB1H470S	
LC7E13	409P876020	EMI-F-CHIP - CNF20C470S/CKD510JB1H470S	
LC7E14	409P876020	EMI-F-CHIP - CNF20C470S/CKD510JB1H470S	
LC7G01	409P876020	EMI-F-CHIP - CNF20C470S/CKD510JB1H470S	
LC7G02	409P876020	EMI-F-CHIP - CNF20C470S/CKD510JB1H470S	
LC7G03	409P876020	EMI-F-CHIP - CNF20C470S/CKD510JB1H470S	
LC7G04	409P876020	EMI-F-CHIP - CNF20C470S/CKD510JB1H470S	
LC7G05	409P876020	EMI-F-CHIP - CNF20C470S/CKD510JB1H470S	
LC7G06	409P876020	EMI-F-CHIP - CNF20C470S/CKD510JB1H470S	
LC7G07	409P876020	EMI-F-CHIP - CNF20C470S/CKD510JB1H470S	
LC7G08	409P875090	EMI-F-CHIP - ELKE103FA	
LC7G09	409P875090	EMI-F-CHIP - ELKE103FA	
LC7G10	409P876020	EMI-F-CHIP - CNF20C470S/CKD510JB1H470S	
LC7G11	409P876020	EMI-F-CHIP - CNF20C470S/CKD510JB1H470S	
LC7G12	409P876020	EMI-F-CHIP - CNF20C470S/CKD510JB1H470S	
LC7G13	409P876020	EMI-F-CHIP - CNF20C470S/CKD510JB1H470S	
LC7G14	409P876020	EMI-F-CHIP - CNF20C470S/CKD510JB1H470S	
LC7G15	409P876020	EMI-F-CHIP - CNF20C470S/CKD510JB1H470S	
LC7J03	409P876020	EMI-F-CHIP - CNF20C470S/CKD510JB1H470S	
LC7J04	409P876020	EMI-F-CHIP - CNF20C470S/CKD510JB1H470S	
LC7J05	409P876020	EMI-F-CHIP - CNF20C470S/CKD510JB1H470S	
LC7J10	409P876020	EMI-F-CHIP - CNF20C470S/CKD510JB1H470S	
LC7J13	409P876020	EMI-F-CHIP - CNF20C470S/CKD510JB1H470S	
LC7J14	409P876020	EMI-F-CHIP - CNF20C470S/CKD510JB1H470S	
LC7J15	409P876020	EMI-F-CHIP - CNF20C470S/CKD510JB1H470S	
LC8A21	409P876020	EMI-F-CHIP - CNF20C470S/CKD510JB1H470S	
LC8A22	409P876020	EMI-F-CHIP - CNF20C470S/CKD510JB1H470S	
LC8A23	409P876020	EMI-F-CHIP - CNF20C470S/CKD510JB1H470S	
LC8A25	409P876020	EMI-F-CHIP - CNF20C470S/CKD510JB1H470S	
LC8M05	409P876020	EMI-F-CHIP - CNF20C470S/ CKD510JB1H470S	23567
LC8M06	409P876020	EMI-F-CHIP - CNF20C470S/ CKD510JB1H470S	23567
LC8M11	409P876020	EMI-F-CHIP - CNF20C470S/ CKD510JB1H470S	23567
LC8M12	409P876020	EMI-F-CHIP - CNF20C470S/ CKD510JB1H470S	23567
LC8M14	409P876020	EMI-F-CHIP - CNF20C470S/ CKD510JB1H470S	23567
LC8M15	409P876020	EMI-F-CHIP - CNF20C470S/ CKD510JB1H470S	23567
LC8M16	409P876020	EMI-F-CHIP - CNF20C470S/	

Ref #	Part #	Part Name & Description	[#]
		CKD510JB1H470S	23567
LC8M18	409P876020	EMI-F-CHIP - CNF20C470S/ CKD510JB1H470S	23567
LC8M20	409P876020	EMI-F-CHIP - CNF20C470S/ CKD510JB1H470S	23567
LC8M22	409P876020	EMI-F-CHIP - CNF20C470S/ CKD510JB1H470S	23567
LF7D00	409P901010	LP-FILTER - 14MHZ SMD	
LF7D01	409P901010	LP-FILTER - 14MHZ SMD	
LF7D02	409P901010	LP-FILTER - 14MHZ SMD	
LF7E00	409P901010	LP-FILTER - 14MHZ SMD	
LF7E01	409P901010	LP-FILTER - 14MHZ SMD	
LF7E02	409P901010	LP-FILTER - 14MHZ SMD	
LF7G00	409P901010	LP-FILTER - 14MHZ SMD	
LF7G01	409P901010	LP-FILTER - 14MHZ SMD	
LF7G02	409P901010	LP-FILTER - 14MHZ SMD	
TRANSFORMERS			
T5A31	349P216010	TRANS-HORIZ	
T5A32	336P040010	TRANS-HORIZ-DRIVE	
T5A51	334P278010	TRANS-FLYBACK	
T9A20	350P766010	TRANS-POWER	
T9A50	350P765010	TRANS-POWER	
VARIABLE RESISTORS			
		129P059050 VR-FOCUS - MHF116-50W	
RV9D00	265P100010	VARISTOR - ERZV10D271	
RESISTORS			
R-M-CHIP Type Resistors 1/10W (Listed by Value)			
Value	Part No.	Value	Part No.
0 OHM	103P409050	2.7K-F	103P473050
10-J	103P400010	2.7K-J	103P403000
22-J	103P400050	3.3K-F	103P473070
33-J	103P400070	3.3K-J	103P403010
39-J	103P400080	3.9K-F	103P473090
47-J	103P400090	3.9K-J	103P403020
56-J	103P401000	4.3K-F	103P474000
75-J	103P409090	4.7K-F	103P474010
100-J	103P401030	4.7K-J	103P403030
120-J	103P401040	5.1K-F	103P474020
130-F	103P470040	5.6K-J	103P403040
150-J	103P401050	6.2K-F	103P474040
160-F	103P470060	6.8K-F	103P474050
180-F	103P470070	6.8K-J	103P403050
180-J	103P401060	7.5K-F	103P474060
200-F	103P470080	8.2K-F	103P474070
220-F	103P470090	8.2K-J	103P403060
220-J	103P401070	10K-F	103P474090
240-F	103P471000	10K-J	103P403070
270-J	103P401080	12K-J	103P403080
300-F	103P471020	13K-F	103P475020
330-F	103P471030	15K-F	103P475030
330-J	103P401090	15K-J	103P403090
390-J	103P402000	18K-J	103P404000
430-F	103P471060	22K-F	103P475070
470-J	103P402010	22K-J	103P404010
510-F	103P471080	27K-F	103P475090
560-F	103P471090	27K-J	103P404020

[#] Model Legend: (1) WS-55807, (2) WS-55857, (3) WS-55907, (4) WS-65807, (5) WS-65857, (6) WS-65907, (7) WS-73907, (8) WT-46807

Ref #	Part #	Part Name & Description	[#]
	560-J	103P402020 33K-F	103P476010
	620-F	103P472000 33K-J	103P404030
	680-F	103P472010 36K-F	103P476020
	680-J	103P402030 47K-F	103P476050
	820-F	103P472030 47K-J	103P404050
	820-J	103P402040 56K-J	103P404060
	1K-F	103P472050 68K-J	103P404070
	1K-J	103P402050 82K-J	103P404080
	1.2K-F	103P472070 100K-F	103P477030
	1.2K-J	103P402060 100K-J	103P404090
	1.3K-F	103P472080 120K-J	103P405000
	1.5K-F	103P472090 150K-J	103P405010
	1.5K-J	103P402070 270K-J	103P405040
	1.6K-F	103P473000 330K-J	103P405050
	1.8K-F	103P473010 390K-J	103P405060
	1.8K-J	103P402080 470K-J	103P405070
	2K-F	103P473020 560K-J	103P405080
	2.2K-F	103P473030 680K-J	103P405090
	2.2K-J	103P402090 3.3M-J	103P406070
	2.4K-F	103P473040	

Conventional Resistors (By Ref #)

Ref	Part No.	Description	[#]
R2W17	103C171040	R-METAL - 1W 120-J	
R2W25	103C171040	R-METAL - 1W 120-J	
R2W63	103C171040	R-METAL - 1W 120-J	
R3E05	103P712050	R-CARBON - 1/4W 1K-J	
R3E06	103P714010	R-CARBON - 1/4W 22K-J	
R4B02	103P463060	R-METAL - 1/4W 3K-F	8
R4B10	103C188050	R-METAL - 2W 2.7-J	
R4B12	103C188040	R-METAL - 2W 2.2-J	
R4B17	103P712010	R-CARBON - 1/4W 470-J	
R4B22	103P712050	R-CARBON - 1/4W 1K-J	12458
R4B24	103P712050	R-CARBON - 1/4W 1K-J	
R4B25	103P712050	R-CARBON - 1/4W 1K-J	
R4B27	103P714080	R-CARBON - 1/4W 82K-J	
R4B28	103P464040	R-METAL - 1/4W 2.4K-F	1234567
R4B28	103P464060	R-METAL - 1/4W 7.5K-F	8
R4B28	103P714010	R-CARBON - 1/4W 22K-J	12458
R5A01	103P712050	R-CARBON - 1/4W 1K-J	
R5A07	103P714080	R-CARBON - 1/4W 82K-J	
R5A08	103C194010	R-METAL - 3W 22K-J	
R5A12	103P712050	R-CARBON - 1/4W 1K-J	
R5A15	103P712050	R-CARBON - 1/4W 1K-J	
R5A17	103P712050	R-CARBON - 1/4W 1K-J	
R5A22	103P714010	R-CARBON - 1/4W 22K-J	
R5A25	103P712010	R-CARBON - 1/4W 470-J	
R5A29	103P714010	R-CARBON - 1/4W 22K-J	
R5A30	103C181060	R-METAL - 2W 180-J	
R5A36	103C393020	R-METAL-P - 3W 3.9K-J	
R5A37	103C393010	R-METAL-P - 3W 3.3K-J	
R5A38	103C397070	R-METAL-P - 3W 0.56-K	
R5A39	103C170050	R-METAL - 1W 22-J	
R5A43	103P714010	R-CARBON - 1/4W 22K-J	
R5A45	103C393080	R-METAL-P - 3W 12K-J	
R5A46	103C391050	R-METAL-P - 3W 150-J	
R5A51	102P107000	R-WIRE - 2W 0.15-K	
R5A52	103P712010	R-CARBON - 1/4W 470-J	
R5A53	103P711000	R-CARBON - 1/4W 56-J	
R5A54	103C190090	R-METAL - 3W 47-J	

Ref #	Part #	Part Name & Description	[#]
R5A55	103P712050	R-CARBON - 1/4W 1K-J	
R5A56	103P715060	R-CARBON - 1/4W 390K-J	
R5A59	103P461030	R-METAL - 1/4W 330-F	
R5A60	103P463010	R-METAL - 1/4W 1.8K-F	
R5A61	103P713060	R-CARBON - 1/4W 8.2K-J	
R5A65	103P141030	R-CARBON - 1/2W 100-J	
R5A68	103P463040	R-METAL - 1/4W 2.4K-F	7
R5A68	103P463080	R-METAL - 1/4W 3.6K-F	1234568
R5A69	103P460090	R-METAL - 1/4W 220-F	
R5A70	103P463040	R-METAL - 1/4W 2.4K-F	7
R5A73	103P714080	R-CARBON - 1/4W 82K-J	
R5A78	103P714010	R-CARBON - 1/4W 22K-J	
R5A82	103P370090	R-FUSE - 1/4W 47-J	
R5A83	103P464070	R-METAL - 1/4W 8.2K-F	
R5A84	103P464070	R-METAL - 1/4W 8.2K-F	
R5A88	103P464000	R-METAL - 1/4W 4.3K-F	
R5A89	103P463050	R-METAL - 1/4W 2.7K-F	
R5A98	103C197090	R-METAL - 3W 0.82-J	1-6
R5A98	103C198010	R-METAL - 3W 1.2-J	7
R5H02	103P758000	R-FUSE - 1/4W 1-J	
R5H47	103C172010	R-METAL - 1W 470-J	
R5H59	103C191070	R-METAL - 3W 220-J	
R5H60	103C178080	R-METAL - 1W 4.7-J	
R5K09	103P762020	R-FUSE - 1/2W 560-J	
R5K12	103P760060	R-FUSE - 1/2W 27-J	
R5K19	103P464000	R-METAL - 1/4W 4.3K-F	
R5K34	103P760060	R-FUSE - 1/2W 27-J	
R5K46	103P712010	R-CARBON - 1/4W 470-J	
R5K50	103P762050	R-FUSE - 1/2W 1K-J	
R6B00	103C392090	R-METAL-P - 3W 2.2K-J	
R6B01	103C392090	R-METAL-P - 3W 2.2K-J	
R6B02	103C392090	R-METAL-P - 3W 2.2K-J	
R6B03	103C392090	R-METAL-P - 3W 2.2K-J	
R6B13	103P761070	R-FUSE - 1/2W 220-J	
R6G00	103C392090	R-METAL-P - 3W 2.2K-J	
R6G01	103C392090	R-METAL-P - 3W 2.2K-J	
R6G02	103C392090	R-METAL-P - 3W 2.2K-J	
R6G03	103C392090	R-METAL-P - 3W 2.2K-J	
R6G13	103P761070	R-FUSE - 1/2W 220-J	
R6R00	103C392090	R-METAL-P - 3W 2.2K-J	
R6R01	103C392090	R-METAL-P - 3W 2.2K-J	
R6R02	103C392090	R-METAL-P - 3W 2.2K-J	
R6R03	103C392090	R-METAL-P - 3W 2.2K-J	
R6R13	103P761070	R-FUSE - 1/2W 220-J	
R7C55	103C187060	R-METAL - 2W 0.47-J	23567
R7K01	103P712050	R-CARBON - 1/4W 1K-J	
R7K11	103P712050	R-CARBON - 1/4W 1K-J	235678
R7K14	103P715040	R-CARBON - 1/4W 270K-J	235678
R7K22	103P715030	R-CARBON - 1/4W 220K-J	23567
R7K26	103P715030	R-CARBON - 1/4W 220K-J	23567
R7K31	103P715030	R-CARBON - 1/4W 220K-J	23567
R7L01	103P462090	R-METAL - 1/4W 1.5K-F	235678
R7L04	103P464030	R-METAL - 1/4W 5.6K-F	235678
R7L07	103P462090	R-METAL - 1/4W 1.5K-F	235678
R7L10	103P464030	R-METAL - 1/4W 5.6K-F	235678
R7L21	103P712050	R-CARBON - 1/4W 1K-J	1&4
R7L22	103P715040	R-CARBON - 1/4W 270K-J	1&4
R7L26	103P462090	R-METAL - 1/4W 1.5K-F	1&4
R7L29	103P464030	R-METAL - 1/4W 5.6K-F	1&4
R7L32	103P466070	R-METAL - 1/4W 56K-F	1&4

[#] Model Legend: (1) WS-55807, (2) WS-55857, (3) WS-55907, (4) WS-65807, (5) WS-65857, (6) WS-65907, (7) WS-73907, (8) WT-46807

Ref #	Part #	Part Name & Description	[#]	Ref #	Part #	Part Name & Description	[#]
R8C07	103C391050	R-METAL-P - 3W 150-J		C2C45	141P139030	C-CER-CHIP - B25V 0.1M-K	
R8C15	103C391050	R-METAL-P - 3W 150-J		C2C46	141P139030	C-CER-CHIP - B25V 0.1M-K	
R8C23	103C391050	R-METAL-P - 3W 150-J		C2C50	141P132010	C-CER-CHIP - B50V 0.01M-K	
R8C31	103C391050	R-METAL-P - 3W 150-J		C2C53	141P139030	C-CER-CHIP - B25V 0.1M-K	
R8C39	103C391050	R-METAL-P - 3W 150-J		C2C64	141P139030	C-CER-CHIP - B25V 0.1M-K	
R8C47	103C391050	R-METAL-P - 3W 150-J		C2C81	141P139030	C-CER-CHIP - B25V 0.1M-K	
R8C60	103C191090	R-METAL - 3W 330-J		C2C82	141P139030	C-CER-CHIP - B25V 0.1M-K	
R8C61	103C191090	R-METAL - 3W 330-J		C2C85	141P139030	C-CER-CHIP - B25V 0.1M-K	
R9A02	102P080010	R-CEMENT-WIRE - 5W 2.2-K		C2C88	141P134070	C-CER-CHIP - B16V 1M-K	
R9A03	109C010010	R-COMPOSITION - 1/2W 1M-K		C2C89	141P139030	C-CER-CHIP - B25V 0.1M-K	
R9A05	109C010010	R-COMPOSITION - 1/2W 1M-K		C2C90	141P139030	C-CER-CHIP - B25V 0.1M-K	
R9A06	109C010010	R-COMPOSITION - 1/2W 1M-K		C2C91	141P139030	C-CER-CHIP - B25V 0.1M-K	
R9A21	103C394040	R-METAL-P - 3W 39K-J		C2C92	141P139030	C-CER-CHIP - B25V 0.1M-K	
R9A22	103C183070	R-METAL - 2W 10K-J		C2C94	141P139030	C-CER-CHIP - B25V 0.1M-K	
R9A27	103C187050	R-METAL - 2W 0.39-J		C2C95	141P139030	C-CER-CHIP - B25V 0.1M-K	
R9A32	103P714010	R-CARBON - 1/4W 22K-J		C2C96	141P139030	C-CER-CHIP - B25V 0.1M-K	
R9A39	103P714010	R-CARBON - 1/4W 22K-J		C2D06	154P332070	C-CER-CHIP - CH50V 47P-J	
R9A40	103P712010	R-CARBON - 1/4W 470-J		C2D07	154P333050	C-CER-CHIP - CH50V 100P-J	
R9A41	103P712050	R-CARBON - 1/4W 1K-J		C2D09	141P139090	C-CER-CHIP - B16V 0.47M-K	
R9A42	103P464050	R-METAL - 1/4W 6.8K-F		C2D10	154P333050	C-CER-CHIP - CH50V 100P-J	
R9A43	103P466070	R-METAL - 1/4W 56K-F		C2D11	154P333050	C-CER-CHIP - CH50V 100P-J	
R9A44	103P464010	R-METAL - 1/4W 4.7K-F		C2D12	141P132010	C-CER-CHIP - B50V 0.01M-K	
R9A51	103P715050	R-CARBON - 1/4W 330K-J		C2D13	141P139030	C-CER-CHIP - B25V 0.1M-K	
R9A54	102P107000	R-WIRE - 2W 0.15-K		C2D14	141P133080	C-CER-CHIP - F50V 0.01M-Z	
R9A55	102P106090	R-WIRE - 2W 0.12-K		C2D15	154P333050	C-CER-CHIP - CH50V 100P-J	
R9A68	103C180050	R-METAL - 2W 22-J		C2D16	154P332070	C-CER-CHIP - CH50V 47P-J	
R9A69	103C180050	R-METAL - 2W 22-J		C2D18	154P333050	C-CER-CHIP - CH50V 100P-J	
R9A80	103C193060	R-METAL - 3W 8.2K-J		C2D24	141P133080	C-CER-CHIP - F50V 0.01M-Z	
R9A83	103P463090	R-METAL - 1/4W 3.9K-F		C2D25	141P139030	C-CER-CHIP - B25V 0.1M-K	
R9C01	103C177020	R-METAL - 1W 0.22-J		C2J07	141P137080	C-CER-CHIP - B50V 0.047M-K	
R9C10	103C170020	R-METAL - 1W 12-J		C2K09	141P134070	C-CER-CHIP - B16V 1M-K	
R9D00	109D036020	R-COMPOSITION - 1/2W 4.7M-K		C2K11	141P134070	C-CER-CHIP - B16V 1M-K	
CAPACITORS AND TRIMMERS				C2K16	141P134070	C-CER-CHIP - B16V 1M-K	
C1A06	141P132010	C-CER-CHIP - B50V 0.01M-K		C2K18	141P134070	C-CER-CHIP - B16V 1M-K	
C1A07	141P132010	C-CER-CHIP - B50V 0.01M-K		C2K19	141P139030	C-CER-CHIP - B25V 0.1M-K	
C1A08	141P132010	C-CER-CHIP - B50V 0.01M-K		C2K23	141P134070	C-CER-CHIP - B16V 1M-K	
C1A09	141P132010	C-CER-CHIP - B50V 0.01M-K		C2K25	141P134070	C-CER-CHIP - B16V 1M-K	
C1A13	141P132010	C-CER-CHIP - B50V 0.01M-K		C2K42	141P139090	C-CER-CHIP - B16V 0.47M-K	
C1A16	141P132010	C-CER-CHIP - B50V 0.01M-K		C2K46	154P331010	C-CER-CHIP - CH50V 10P-C	
C1B06	141P132010	C-CER-CHIP - B50V 0.01M-K		C2K47	141P139030	C-CER-CHIP - B25V 0.1M-K	
C1B07	141P132010	C-CER-CHIP - B50V 0.01M-K		C2K55	154P331010	C-CER-CHIP - CH50V 10P-C	
C1B09	141P132010	C-CER-CHIP - B50V 0.01M-K		C2K59	141P134070	C-CER-CHIP - B16V 1M-K	
C1B13	141P132010	C-CER-CHIP - B50V 0.01M-K		C2K61	141P134070	C-CER-CHIP - B16V 1M-K	
C1B14	141P139010	C-CER-CHIP - B25V 0.068M-K		C2K62	141P134070	C-CER-CHIP - B16V 1M-K	
C1B16	141P132010	C-CER-CHIP - B50V 0.01M-K		C2K64	141P134070	C-CER-CHIP - B16V 1M-K	
C2B11	141P139030	C-CER-CHIP - B25V 0.1M-K		C2K65	141P132010	C-CER-CHIP - B50V 0.01M-K	
C2B25	141P139030	C-CER-CHIP - B25V 0.1M-K		C2K67	141P132010	C-CER-CHIP - B50V 0.01M-K	
C2C00	141P139030	C-CER-CHIP - B25V 0.1M-K		C2K68	141P132010	C-CER-CHIP - B50V 0.01M-K	
C2C02	154P324000	C-CER-CHIP - SL50V 150P-J		C2K70	141P132010	C-CER-CHIP - B50V 0.01M-K	
C2C03	154P324000	C-CER-CHIP - SL50V 150P-J		C2K71	141P132010	C-CER-CHIP - B50V 0.01M-K	
C2C04	141P139030	C-CER-CHIP - B25V 0.1M-K		C2K73	141P132010	C-CER-CHIP - B50V 0.01M-K	
C2C08	141P139030	C-CER-CHIP - B25V 0.1M-K		C2K74	141P139090	C-CER-CHIP - B16V 0.47M-K	
C2C10	141P139030	C-CER-CHIP - B25V 0.1M-K		C2K76	141P132010	C-CER-CHIP - B50V 0.01M-K	
C2C11	141P139030	C-CER-CHIP - B25V 0.1M-K		C2K78	141P132010	C-CER-CHIP - B50V 0.01M-K	
C2C20	141P133080	C-CER-CHIP - F50V 0.01M-Z		C2K79	141P139090	C-CER-CHIP - B16V 0.47M-K	
C2C30	154P331090	C-CER-CHIP - CH50V 22P-J		C2K82	141P132010	C-CER-CHIP - B50V 0.01M-K	
C2C31	154P331090	C-CER-CHIP - CH50V 22P-J		C2K83	141P132010	C-CER-CHIP - B50V 0.01M-K	
C2C32	141P139030	C-CER-CHIP - B25V 0.1M-K		C2K85	141P132010	C-CER-CHIP - B50V 0.01M-K	
				C2K86	141P132010	C-CER-CHIP - B50V 0.01M-K	
				C2L02	141P134070	C-CER-CHIP - B16V 1M-K	

MODELS: WT-46807 / WS-55807 / WS-55857 / WS-55907 / WS-65807 / WS-65857 / WS-65907 / WS-73907

[#] Model Legend: (1) WS-55807, (2) WS-55857, (3) WS-55907, (4) WS-65807, (5) WS-65857, (6) WS-65907, (7) WS-73907, (8) WT-46807

Ref #	Part #	Part Name & Description	[#]
C2L04	141P134070	C-CER-CHIP - B16V 1M-K	
C2L05	141P139030	C-CER-CHIP - B25V 0.1M-K	
C2L09	141P134070	C-CER-CHIP - B16V 1M-K	23567
C2L11	141P134070	C-CER-CHIP - B16V 1M-K	23567
C2L12	141P139030	C-CER-CHIP - B25V 0.1M-K	23567
C2L16	141P134070	C-CER-CHIP - B16V 1M-K	
C2L18	141P134070	C-CER-CHIP - B16V 1M-K	
C2L19	141P139030	C-CER-CHIP - B25V 0.1M-K	
C2L23	141P134070	C-CER-CHIP - B16V 1M-K	
C2L25	141P134070	C-CER-CHIP - B16V 1M-K	
C2L26	141P139030	C-CER-CHIP - B25V 0.1M-K	
C2L29	141P134070	C-CER-CHIP - B16V 1M-K	
C2L31	141P134070	C-CER-CHIP - B16V 1M-K	
C2L32	141P132010	C-CER-CHIP - B50V 0.01M-K	
C2L42	141P139090	C-CER-CHIP - B16V 0.47M-K	
C2L46	154P331010	C-CER-CHIP - CH50V 10P-C	
C2L52	141P134070	C-CER-CHIP - B16V 1M-K	
C2L54	141P134070	C-CER-CHIP - B16V 1M-K	
C2L55	154P331010	C-CER-CHIP - CH50V 10P-C	
C2L58	141P139030	C-CER-CHIP - B25V 0.1M-K	
C2L59	141P134070	C-CER-CHIP - B16V 1M-K	
C2L62	141P134070	C-CER-CHIP - B16V 1M-K	23567
C2L64	141P134070	C-CER-CHIP - B16V 1M-K	23567
C2V01	141P134070	C-CER-CHIP - B16V 1M-K	
C2V02	141P134070	C-CER-CHIP - B16V 1M-K	
C2V03	141P134070	C-CER-CHIP - B16V 1M-K	
C2V04	141P134070	C-CER-CHIP - B16V 1M-K	
C2V05	141P134070	C-CER-CHIP - B16V 1M-K	
C2V06	141P139030	C-CER-CHIP - B25V 0.1M-K	
C2V08	141P134070	C-CER-CHIP - B16V 1M-K	
C2V09	141P134070	C-CER-CHIP - B16V 1M-K	
C2V10	141P134070	C-CER-CHIP - B16V 1M-K	
C2V11	141P134070	C-CER-CHIP - B16V 1M-K	
C2V12	141P134070	C-CER-CHIP - B16V 1M-K	
C2V13	141P134070	C-CER-CHIP - B16V 1M-K	23567
C2V14	141P134070	C-CER-CHIP - B16V 1M-K	23567
C2V15	141P134070	C-CER-CHIP - B16V 1M-K	23567
C2V16	141P134070	C-CER-CHIP - B16V 1M-K	23567
C2V17	141P134070	C-CER-CHIP - B16V 1M-K	23567
C2V18	141P134070	C-CER-CHIP - B16V 1M-K	
C2V19	141P139090	C-CER-CHIP - B16V 0.47M-K	
C2V20	141P139090	C-CER-CHIP - B16V 0.47M-K	
C2V21	141P134070	C-CER-CHIP - B16V 1M-K	
C2V22	141P134070	C-CER-CHIP - B16V 1M-K	
C2V23	141P134070	C-CER-CHIP - B16V 1M-K	
C2V24	141P132010	C-CER-CHIP - B50V 0.01M-K	
C2V36	141P139090	C-CER-CHIP - B16V 0.47M-K	
C2V38	141P139090	C-CER-CHIP - B16V 0.47M-K	
C2V40	141P139090	C-CER-CHIP - B16V 0.47M-K	
C2V41	141P139090	C-CER-CHIP - B16V 0.47M-K	
C2V42	141P139090	C-CER-CHIP - B16V 0.47M-K	
C2V46	141P133080	C-CER-CHIP - F50V 0.01M-Z	
C2V47	141P133080	C-CER-CHIP - F50V 0.01M-Z	
C2V48	141P133080	C-CER-CHIP - F50V 0.01M-Z	
C2V50	141P132010	C-CER-CHIP - B50V 0.01M-K	
C2V51	141P132010	C-CER-CHIP - B50V 0.01M-K	
C2V52	141P132010	C-CER-CHIP - B50V 0.01M-K	
C2V58	141P139090	C-CER-CHIP - B16V 0.47M-K	
C2V62	141P139030	C-CER-CHIP - B25V 0.1M-K	
C2V63	141P139030	C-CER-CHIP - B25V 0.1M-K	

Ref #	Part #	Part Name & Description	[#]
C2V64	141P139030	C-CER-CHIP - B25V 0.1M-K	
C2V67	141P139090	C-CER-CHIP - B16V 0.47M-K	
C2V68	141P139090	C-CER-CHIP - B16V 0.47M-K	
C2V69	141P139090	C-CER-CHIP - B16V 0.47M-K	
C2V70	141P133080	C-CER-CHIP - F50V 0.01M-Z	
C2V73	141P139030	C-CER-CHIP - B25V 0.1M-K	
C2V74	141P139030	C-CER-CHIP - B25V 0.1M-K	
C2V75	141P139030	C-CER-CHIP - B25V 0.1M-K	
C2W03	141P139030	C-CER-CHIP - B25V 0.1M-K	
C2W06	141P133080	C-CER-CHIP - F50V 0.01M-Z	
C2W07	154P324040	C-CER-CHIP - SL50V 220P-J	
C2W08	141P133080	C-CER-CHIP - F50V 0.01M-Z	
C2W10	141P133080	C-CER-CHIP - F50V 0.01M-Z	
C2W11	154P324040	C-CER-CHIP - SL50V 220P-J	
C2W12	141P133080	C-CER-CHIP - F50V 0.01M-Z	
C2W13	141P135080	C-CER-CHIP - F50V 0.1M-Z	
C2W15	141P133080	C-CER-CHIP - F50V 0.01M-Z	
C2W16	154P324040	C-CER-CHIP - SL50V 220P-J	
C2W17	141P133080	C-CER-CHIP - F50V 0.01M-Z	
C2W41	141P133060	C-CER-CHIP - F50V 2200P-Z	
C2W59	141P134070	C-CER-CHIP - B16V 1M-K	
C2W75	141P139030	C-CER-CHIP - B25V 0.1M-K	
C2W77	141P139030	C-CER-CHIP - B25V 0.1M-K	
C2W78	141P139030	C-CER-CHIP - B25V 0.1M-K	
C2W79	141P139030	C-CER-CHIP - B25V 0.1M-K	
C2X01	141P139030	C-CER-CHIP - B25V 0.1M-K	
C2X04	141P138020	C-CER-CHIP - B50V 0.1M-K	
C2X05	141P134070	C-CER-CHIP - B16V 1M-K	
C2X06	141P134070	C-CER-CHIP - B16V 1M-K	
C2X07	141P134070	C-CER-CHIP - B16V 1M-K	
C2X08	154P323060	C-CER-CHIP - SL50V 100P-J	
C2X09	141P139030	C-CER-CHIP - B25V 0.1M-K	
C2X11	141P138020	C-CER-CHIP - B50V 0.1M-K	
C2X12	141P134070	C-CER-CHIP - B16V 1M-K	
C2X13	141P134070	C-CER-CHIP - B16V 1M-K	
C2X14	141P134070	C-CER-CHIP - B16V 1M-K	
C2X15	141P139030	C-CER-CHIP - B25V 0.1M-K	
C2X16	154P323060	C-CER-CHIP - SL50V 100P-J	
C2X26	141P132010	C-CER-CHIP - B50V 0.01M-K	
C2X27	141P132010	C-CER-CHIP - B50V 0.01M-K	
C2X28	141P132010	C-CER-CHIP - B50V 0.01M-K	
C2X32	141P139030	C-CER-CHIP - B25V 0.1M-K	
C2X40	141P139030	C-CER-CHIP - B25V 0.1M-K	
C2X41	141P139030	C-CER-CHIP - B25V 0.1M-K	
C2X42	141P139030	C-CER-CHIP - B25V 0.1M-K	
C2X44	141P139030	C-CER-CHIP - B25V 0.1M-K	
C2X46	141P139030	C-CER-CHIP - B25V 0.1M-K	
C2X48	141P139030	C-CER-CHIP - B25V 0.1M-K	
C2X49	141P139030	C-CER-CHIP - B25V 0.1M-K	
C2X51	141P139030	C-CER-CHIP - B25V 0.1M-K	
C2X60	141P132010	C-CER-CHIP - B50V 0.01M-K	
C2X61	141P139030	C-CER-CHIP - B25V 0.1M-K	
C2Y02	141P139030	C-CER-CHIP - B25V 0.1M-K	
C2Y03	141P139030	C-CER-CHIP - B25V 0.1M-K	
C2Y04	141P139030	C-CER-CHIP - B25V 0.1M-K	
C2Y06	141P139030	C-CER-CHIP - B25V 0.1M-K	
C2Y08	141P139030	C-CER-CHIP - B25V 0.1M-K	
C2Y10	141P139030	C-CER-CHIP - B25V 0.1M-K	
C2Y11	141P139030	C-CER-CHIP - B25V 0.1M-K	
C2Y13	141P139030	C-CER-CHIP - B25V 0.1M-K	

MODELS: WT-46807 / WS-55807 / WS-55857 / WS-55907 / WS-65807 / WS-65857 / WS-65907 / WS-73907

[#] Model Legend: (1) WS-55807, (2) WS-55857, (3) WS-55907, (4) WS-65807, (5) WS-65857, (6) WS-65907, (7) WS-73907, (8) WT-46807

Ref #	Part #	Part Name & Description	[#]	Ref #	Part #	Part Name & Description	[#]
C2Y14	141P139030	C-CER-CHIP - B25V 0.1M-K		C4A06	141P135020	C-CER-CHIP - F25V 0.47M-Z	
C2Y16	141P139030	C-CER-CHIP - B25V 0.1M-K		C4A07	154P337040	C-CER-CHIP - CH50V 2700P-J	
C2Y17	141P139030	C-CER-CHIP - B25V 0.1M-K		C4A08	154P334070	C-CER-CHIP - CH50V 330P-J	
C2Y18	141P139030	C-CER-CHIP - B25V 0.1M-K		C4A11	141P133080	C-CER-CHIP - F50V 0.01M-Z	
C2Y19	141P139030	C-CER-CHIP - B25V 0.1M-K		C4A23	141P139030	C-CER-CHIP - B25V 0.1M-K	
C2Y20	141P139030	C-CER-CHIP - B25V 0.1M-K		C4A30	154P337040	C-CER-CHIP - CH50V 2700P-J	
C2Y21	181P124040	C-ELEC-NP - 50V 10M-M		C4A31	141P133080	C-CER-CHIP - F50V 0.01M-Z	
C2Y22	141P139030	C-CER-CHIP - B25V 0.1M-K		C4A32	141P135080	C-CER-CHIP - F50V 0.1M-Z	
C2Y24	141P139030	C-CER-CHIP - B25V 0.1M-K		C4A33	154P335010	C-CER-CHIP - CH50V 470P-J	
C2Y25	181P124040	C-ELEC-NP - 50V 10M-M		C4A36	154P325020	C-CER-CHIP - SL50V 470P-J	
C2Y26	141P139030	C-CER-CHIP - B25V 0.1M-K		C4A38	141P139030	C-CER-CHIP - B25V 0.1M-K	
C2Y27	141P139030	C-CER-CHIP - B25V 0.1M-K		C4B02	181P358000	C-ELEC - 35V 1000M-M	
C2Y28	181P124040	C-ELEC-NP - 50V 10M-M		C5A03	142P020050	C-CER - B50V 470P-K	
C2Y29	141P139030	C-CER-CHIP - B25V 0.1M-K		C5A21	172P262050	C-M-POLYESTER - 50V 0.1M-J	
C2Y30	141P139030	C-CER-CHIP - B25V 0.1M-K		C5A31	172P580050	C-M-PLA-PP - 1800V 1500P-J	
C2Y31	181P124040	C-ELEC-NP - 50V 10M-M		C5A32	172P581030	C-M-PLA-PP - 1800V 3300P-J	
C2Y32	141P139030	C-CER-CHIP - B25V 0.1M-K		C5A33	172P581030	C-M-PLA-PP - 1800V 3300P-J	
C2Y34	141P139030	C-CER-CHIP - B25V 0.1M-K		C5A34	154P262000	C-CER - R2KV 220P-K	
C2Y35	181P124040	C-ELEC-NP - 50V 10M-M		C5A35	142P011070	C-CER - B500V 2200P-K	
C2Y36	141P139030	C-CER-CHIP - B25V 0.1M-K		C5A37	172P416010	C-M-PLA-PP - 200V 0.33M-J	1234567
C2Y37	141P139030	C-CER-CHIP - B25V 0.1M-K		C5A37	172P416030	C-M-PLA-PP - 200V 0.39M-J	8
C2Y38	181P124040	C-ELEC-NP - 50V 10M-M		C5A38	172P416010	C-M-PLA-PP - 200V 0.33M-J	
C2Y39	141P139030	C-CER-CHIP - B25V 0.1M-K		C5A39	142P011000	C-CER - B500V 560P-K	
C2Y40	141P139030	C-CER-CHIP - B25V 0.1M-K		C5A40	142P011000	C-CER - B500V 560P-K	
C2Y42	141P139030	C-CER-CHIP - B25V 0.1M-K		C5A51	154P260010	C-CER - R1KV 220P-K	
C2Y43	141P139030	C-CER-CHIP - B25V 0.1M-K		C5A52	172P460010	C-M-PLA-PP - 2000V 1000P-J	
C2Y45	141P139030	C-CER-CHIP - B25V 0.1M-K		C5A53	172P460030	C-M-PLA-PP - 2000V 1200P-J	
C3A01	154P329030	C-CER-CHIP - SL50V 5600P-J		C5A54	185D120010	C-ELEC - H160V 330M-M 105C	
C3A03	141P137060	C-CER-CHIP - B50V 0.033M-K		C5A55	172P088060	C-PLAST-PP - 630V 6800P-J	
C3A07	141P139050	C-CER-CHIP - B25V 0.15M-K		C5A60	172P262050	C-M-POLYESTER - 50V 0.1M-J	
C3A08	141P134070	C-CER-CHIP - B16V 1M-K		C5A64	181P352010	C-ELEC - 16V 22M-M	
C3A09	141P132000	C-CER-CHIP - B50V 8200P-K		C5A70	172P384030	C-M-POLY - 100V 3.3M-K	
C3A12	141P134070	C-CER-CHIP - B16V 1M-K		C5A71	172P262060	C-M-POLYESTER - 50V 0.12M-J	
C3A13	141P134070	C-CER-CHIP - B16V 1M-K		C5H16	172P186030	C-PLAST-PP - 200V 0.01M-K	
C3A15	181P124020	C-ELEC-NP - 50V 4.7M-M		C5H22	155P112090	C-CER - 500V 56P-J	
C3A18	141P134070	C-CER-CHIP - B16V 1M-K		C5H24	181P192060	C-ELEC - 200V 22M-M	
C3A19	141P134070	C-CER-CHIP - B16V 1M-K		C5K00	172P582090	C-M-PLA-PP - 1800V 0.015M-J	
C3A21	141P137080	C-CER-CHIP - B50V 0.047M-K		C5K01	172P582090	C-M-PLA-PP - 1800V 0.015M-J	
C3A23	141P139030	C-CER-CHIP - B25V 0.1M-K		C5K15	181P195040	C-ELEC - 350V 4.7M-M/Q	
C3A28	141P139030	C-CER-CHIP - B25V 0.1M-K		C5K17	181P195040	C-ELEC - 350V 4.7M-M/Q	
C3A31	141P139090	C-CER-CHIP - B16V 0.47M-K		C6B02	181P195040	C-ELEC - 350V 4.7M-M/Q	
C3A33	141P139070	C-CER-CHIP - B16V 0.22M-K		C6B11	154P264000	C-CER - R3.15KV 150P-K	
C3A38	181P124020	C-ELEC-NP - 50V 4.7M-M		C6G02	181P195040	C-ELEC - 350V 4.7M-M/Q	
C3A40	141P134070	C-CER-CHIP - B16V 1M-K		C6G11	154P264000	C-CER - R3.15KV 150P-K	
C3A41	141P134070	C-CER-CHIP - B16V 1M-K		C6M02	141P132010	C-CER-CHIP - B50V 0.01M-K	
C3A42	141P132030	C-CER-CHIP - B50V 0.015M-K		C6M04	141P133080	C-CER-CHIP - F50V 0.01M-Z	
C3A43	141P132030	C-CER-CHIP - B50V 0.015M-K		C6M23	141P133080	C-CER-CHIP - F50V 0.01M-Z	
C3A44	141P132000	C-CER-CHIP - B50V 8200P-K		C6M26	154P331050	C-CER-CHIP - CH50V 15P-J	
C3A45	141P134070	C-CER-CHIP - B16V 1M-K		C6M29	154P335010	C-CER-CHIP - CH50V 470P-J	
C3A46	141P139050	C-CER-CHIP - B25V 0.15M-K		C6M39	141P131070	C-CER-CHIP - B50V 4700P-K	
C3A50	141P137060	C-CER-CHIP - B50V 0.033M-K		C6M41	154P333070	C-CER-CHIP - CH50V 120P-J	
C3A52	154P329030	C-CER-CHIP - SL50V 5600P-J		C6M42	141P132010	C-CER-CHIP - B50V 0.01M-K	
C3E09	172P262050	C-M-POLYESTER - 50V 0.1M-J		C6M44	154P325040	C-CER-CHIP - SL50V 560P-J	
C3E11	172P262050	C-M-POLYESTER - 50V 0.1M-J		C6M45	141P139030	C-CER-CHIP - B25V 0.1M-K	
C3E12	172P262050	C-M-POLYESTER - 50V 0.1M-J		C6M46	141P132010	C-CER-CHIP - B50V 0.01M-K	
C3E14	172P262050	C-M-POLYESTER - 50V 0.1M-J		C6M47	141P139030	C-CER-CHIP - B25V 0.1M-K	
C4A01	141P133080	C-CER-CHIP - F50V 0.01M-Z		C6M49	141P132010	C-CER-CHIP - B50V 0.01M-K	
C4A04	141P134070	C-CER-CHIP - B16V 1M-K		C6P02	141P132010	C-CER-CHIP - B50V 0.01M-K	
C4A04	172P262050	C-M-POLYESTER - 50V 0.1M-J		C6P04	141P133080	C-CER-CHIP - F50V 0.01M-Z	
C4A05	172P262050	C-M-POLYESTER - 50V 0.1M-J		C6P23	141P133080	C-CER-CHIP - F50V 0.01M-Z	

MODELS: WT-46807 / WS-55807 / WS-55857 / WS-55907 / WS-65807 / WS-65857 / WS-65907 / WS-73907

[#] Model Legend: (1) WS-55807, (2) WS-55857, (3) WS-55907, (4) WS-65807, (5) WS-65857, (6) WS-65907, (7) WS-73907, (8) WT-46807

Ref #	Part #	Part Name & Description	[#]
C6P26	154P331050	C-CER-CHIP - CH50V 15P-J	
C6P29	154P335010	C-CER-CHIP - CH50V 470P-J	
C6P39	141P131070	C-CER-CHIP - B50V 4700P-K	
C6P41	154P333070	C-CER-CHIP - CH50V 120P-J	
C6P44	154P325040	C-CER-CHIP - SL50V 560P-J	
C6P45	141P139030	C-CER-CHIP - B25V 0.1M-K	
C6P47	141P139030	C-CER-CHIP - B25V 0.1M-K	
C6R02	181P195040	C-ELEC - 350V 4.7M-M/Q	
C6R11	154P264000	C-CER - R3.15KV 150P-K	
C7A03	141P132010	C-CER-CHIP - B50V 0.01M-K	
C7A05	141P139030	C-CER-CHIP - B25V 0.1M-K	
C7A07	141P132010	C-CER-CHIP - B50V 0.01M-K	
C7A13	141P132010	C-CER-CHIP - B50V 0.01M-K	
C7A14	141P132010	C-CER-CHIP - B50V 0.01M-K	
C7A20	154P329010	C-CER-CHIP - SL50V 3900P-J	
C7A28	141P133080	C-CER-CHIP - F50V 0.01M-Z	
C7A31	141P134070	C-CER-CHIP - B16V 1M-K	
C7A34	141P134070	C-CER-CHIP - B16V 1M-K	
C7A39	141P134070	C-CER-CHIP - B16V 1M-K	
C7A41	141P133080	C-CER-CHIP - F50V 0.01M-Z	
C7A42	141P132010	C-CER-CHIP - B50V 0.01M-K	
C7A53	141P132010	C-CER-CHIP - B50V 0.01M-K	
C7A59	141P132010	C-CER-CHIP - B50V 0.01M-K	
C7A64	141P132010	C-CER-CHIP - B50V 0.01M-K	
C7A65	141P132010	C-CER-CHIP - B50V 0.01M-K	
C7A66	141P132010	C-CER-CHIP - B50V 0.01M-K	
C7A67	141P132010	C-CER-CHIP - B50V 0.01M-K	
C7A72	141P132010	C-CER-CHIP - B50V 0.01M-K	
C7A75	154P331050	C-CER-CHIP - CH50V 15P-J	
C7A76	154P331050	C-CER-CHIP - CH50V 15P-J	
C7A77	141P133080	C-CER-CHIP - F50V 0.01M-Z	
C7A84	141P132010	C-CER-CHIP - B50V 0.01M-K	
C7B16	154P333070	C-CER-CHIP - CH50V 120P-J	
C7B17	154P333070	C-CER-CHIP - CH50V 120P-J	
C7B29	141P139030	C-CER-CHIP - B25V 0.1M-K	
C7B30	141P139030	C-CER-CHIP - B25V 0.1M-K	
C7B31	154P336090	C-CER-CHIP - CH50V 1000P-J	
C7B33	154P325040	C-CER-CHIP - SL50V 560P-J	
C7B34	141P132010	C-CER-CHIP - B50V 0.01M-K	
C7B39	141P132010	C-CER-CHIP - B50V 0.01M-K	
C7B42	141P139030	C-CER-CHIP - B25V 0.1M-K	
C7B43	154P325040	C-CER-CHIP - SL50V 560P-J	
C7B44	141P139030	C-CER-CHIP - B25V 0.1M-K	
C7B78	141P139030	C-CER-CHIP - B25V 0.1M-K	
C7C01	141P133080	C-CER-CHIP - F50V 0.01M-Z	
C7C03	141P133080	C-CER-CHIP - F50V 0.01M-Z	
C7C04	141P133080	C-CER-CHIP - F50V 0.01M-Z	
C7C05	141P133080	C-CER-CHIP - F50V 0.01M-Z	
C7C06	141P133080	C-CER-CHIP - F50V 0.01M-Z	
C7C07	141P133080	C-CER-CHIP - F50V 0.01M-Z	
C7C10	141P133080	C-CER-CHIP - F50V 0.01M-Z	
C7C11	141P133080	C-CER-CHIP - F50V 0.01M-Z	
C7C13	141P133080	C-CER-CHIP - F50V 0.01M-Z	
C7C17	141P133080	C-CER-CHIP - F50V 0.01M-Z	23567
C7C25	141P133080	C-CER-CHIP - F50V 0.01M-Z	
C7C28	141P133080	C-CER-CHIP - F50V 0.01M-Z	
C7C30	181P350010	C-ELEC - 16V 4700M-M	
C7C31	141P139030	C-CER-CHIP - B25V 0.1M-K	
C7C32	141P139030	C-CER-CHIP - B25V 0.1M-K	
C7C33	141P139030	C-CER-CHIP - B25V 0.1M-K	

Ref #	Part #	Part Name & Description	[#]
C7D06	181P520030	C-E-CHIP - 6.3V 47M-M 105C	
C7D07	141P133080	C-CER-CHIP - F50V 0.01M-Z	
C7D09	141P133080	C-CER-CHIP - F50V 0.01M-Z	
C7D10	141P133080	C-CER-CHIP - F50V 0.01M-Z	
C7D11	181P522060	C-E-CHIP - 16V 47M-M 105C	
C7D16	141P133080	C-CER-CHIP - F50V 0.01M-Z	
C7D17	181P520040	C-E-CHIP - 6.3V 100M-M 105C	
C7D20	181P520030	C-E-CHIP - 6.3V 47M-M 105C	
C7D21	141P133080	C-CER-CHIP - F50V 0.01M-Z	
C7D30	154P332090	C-CER-CHIP - CH50V 56P-J	
C7D31	154P332090	C-CER-CHIP - CH50V 56P-J	
C7D32	154P332090	C-CER-CHIP - CH50V 56P-J	
C7D35	181P520030	C-E-CHIP - 6.3V 47M-M 105C	
C7D44	141P133080	C-CER-CHIP - F50V 0.01M-Z	
C7D45	181P520040	C-E-CHIP - 6.3V 100M-M 105C	
C7D46	141P133080	C-CER-CHIP - F50V 0.01M-Z	
C7D47	141P133080	C-CER-CHIP - F50V 0.01M-Z	
C7D48	141P133080	C-CER-CHIP - F50V 0.01M-Z	
C7D52	141P133080	C-CER-CHIP - F50V 0.01M-Z	
C7D55	181P520010	C-E-CHIP - 6.3V 22M-M 105C	
C7D56	141P133080	C-CER-CHIP - F50V 0.01M-Z	
C7D58	141P133080	C-CER-CHIP - F50V 0.01M-Z	
C7D59	141P133080	C-CER-CHIP - F50V 0.01M-Z	
C7D60	181P520040	C-E-CHIP - 6.3V 100M-M 105C	
C7D61	141P133080	C-CER-CHIP - F50V 0.01M-Z	
C7D62	181P520010	C-E-CHIP - 6.3V 22M-M 105C	
C7D63	181P522060	C-E-CHIP - 16V 47M-M 105C	
C7D64	181P526020	C-E-CHIP - 50V 2.2M-M 105C	
C7D65	181P520040	C-E-CHIP - 6.3V 100M-M 105C	
C7D66	181P520010	C-E-CHIP - 6.3V 22M-M 105C	
C7D67	181P526020	C-E-CHIP - 50V 2.2M-M 105C	
C7D68	181P520040	C-E-CHIP - 6.3V 100M-M 105C	
C7D69	141P133080	C-CER-CHIP - F50V 0.01M-Z	
C7D70	181P526020	C-E-CHIP - 50V 2.2M-M 105C	
C7D71	141P133080	C-CER-CHIP - F50V 0.01M-Z	
C7D72	141P133080	C-CER-CHIP - F50V 0.01M-Z	
C7D73	141P133080	C-CER-CHIP - F50V 0.01M-Z	
C7D74	141P133080	C-CER-CHIP - F50V 0.01M-Z	
C7D75	181P520030	C-E-CHIP - 6.3V 47M-M 105C	
C7D76	181P520040	C-E-CHIP - 6.3V 100M-M 105C	
C7D77	141P133080	C-CER-CHIP - F50V 0.01M-Z	
C7D78	141P135080	C-CER-CHIP - F50V 0.1M-Z	
C7D79	141P139030	C-CER-CHIP - B25V 0.1M-K	
C7D80	141P139030	C-CER-CHIP - B25V 0.1M-K	
C7D81	141P139030	C-CER-CHIP - B25V 0.1M-K	
C7D82	141P139030	C-CER-CHIP - B25V 0.1M-K	
C7D83	141P139030	C-CER-CHIP - B25V 0.1M-K	
C7D84	141P135080	C-CER-CHIP - F50V 0.1M-Z	
C7D85	141P135080	C-CER-CHIP - F50V 0.1M-Z	
C7D86	141P139030	C-CER-CHIP - B25V 0.1M-K	
C7D87	141P139030	C-CER-CHIP - B25V 0.1M-K	
C7D88	141P139030	C-CER-CHIP - B25V 0.1M-K	
C7D89	141P139030	C-CER-CHIP - B25V 0.1M-K	
C7D90	141P139030	C-CER-CHIP - B25V 0.1M-K	
C7D91	141P135080	C-CER-CHIP - F50V 0.1M-Z	
C7D92	141P133080	C-CER-CHIP - F50V 0.01M-Z	
C7D93	141P135080	C-CER-CHIP - F50V 0.1M-Z	
C7D94	141P139030	C-CER-CHIP - B25V 0.1M-K	
C7D95	141P139030	C-CER-CHIP - B25V 0.1M-K	
C7D96	141P139030	C-CER-CHIP - B25V 0.1M-K	

MODELS: WT-46807 / WS-55807 / WS-55857 / WS-55907 / WS-65807 / WS-65857 / WS-65907 / WS-73907

[#] Model Legend: (1) WS-55807, (2) WS-55857, (3) WS-55907, (4) WS-65807, (5) WS-65857, (6) WS-65907, (7) WS-73907, (8) WT-46807

Ref #	Part #	Part Name & Description	[#]	Ref #	Part #	Part Name & Description	[#]
C7D97	141P139030	C-CER-CHIP - B25V 0.1M-K		C7G00	141P133080	C-CER-CHIP - F50V 0.01M-Z	
C7D98	141P139030	C-CER-CHIP - B25V 0.1M-K		C7G01	141P133080	C-CER-CHIP - F50V 0.01M-Z	
C7D99	141P135080	C-CER-CHIP - F50V 0.1M-Z		C7G02	181P520040	C-E-CHIP - 6.3V 100M-M 105C	
C7E06	181P520030	C-E-CHIP - 6.3V 47M-M 105C		C7G03	141P133080	C-CER-CHIP - F50V 0.01M-Z	
C7E07	141P133080	C-CER-CHIP - F50V 0.01M-Z		C7G04	181P520030	C-E-CHIP - 6.3V 47M-M 105C	
C7E09	141P133080	C-CER-CHIP - F50V 0.01M-Z		C7G05	181P520040	C-E-CHIP - 6.3V 100M-M 105C	
C7E30	154P323060	C-CER-CHIP - SL50V 100P-J		C7G06	141P133080	C-CER-CHIP - F50V 0.01M-Z	
C7E31	154P323060	C-CER-CHIP - SL50V 100P-J		C7G07	181P520040	C-E-CHIP - 6.3V 100M-M 105C	
C7E32	154P323060	C-CER-CHIP - SL50V 100P-J		C7G08	141P133080	C-CER-CHIP - F50V 0.01M-Z	
C7E35	181P520030	C-E-CHIP - 6.3V 47M-M 105C		C7G11	141P133080	C-CER-CHIP - F50V 0.01M-Z	
C7E44	141P133080	C-CER-CHIP - F50V 0.01M-Z		C7G12	141P133080	C-CER-CHIP - F50V 0.01M-Z	
C7E45	181P520040	C-E-CHIP - 6.3V 100M-M 105C		C7G21	141P133080	C-CER-CHIP - F50V 0.01M-Z	
C7E46	141P133080	C-CER-CHIP - F50V 0.01M-Z		C7G22	141P133080	C-CER-CHIP - F50V 0.01M-Z	
C7E47	141P133080	C-CER-CHIP - F50V 0.01M-Z		C7G23	141P133080	C-CER-CHIP - F50V 0.01M-Z	
C7E48	141P133080	C-CER-CHIP - F50V 0.01M-Z		C7G24	141P133080	C-CER-CHIP - F50V 0.01M-Z	
C7E52	141P133080	C-CER-CHIP - F50V 0.01M-Z		C7G30	141P133080	C-CER-CHIP - F50V 0.01M-Z	
C7E55	181P520010	C-E-CHIP - 6.3V 22M-M 105C		C7G31	181P520040	C-E-CHIP - 6.3V 100M-M 105C	
C7E56	141P133080	C-CER-CHIP - F50V 0.01M-Z		C7G32	141P133080	C-CER-CHIP - F50V 0.01M-Z	
C7E58	141P133080	C-CER-CHIP - F50V 0.01M-Z		C7G33	141P133080	C-CER-CHIP - F50V 0.01M-Z	
C7E59	141P133080	C-CER-CHIP - F50V 0.01M-Z		C7G34	181P520030	C-E-CHIP - 6.3V 47M-M 105C	
C7E60	181P520040	C-E-CHIP - 6.3V 100M-M 105C		C7G35	141P139030	C-CER-CHIP - B25V 0.1M-K	
C7E61	141P133080	C-CER-CHIP - F50V 0.01M-Z		C7G36	141P133080	C-CER-CHIP - F50V 0.01M-Z	
C7E62	181P520010	C-E-CHIP - 6.3V 22M-M 105C		C7G37	141P139030	C-CER-CHIP - B25V 0.1M-K	
C7E63	181P522060	C-E-CHIP - 16V 47M-M 105C		C7G38	141P139030	C-CER-CHIP - B25V 0.1M-K	
C7E64	181P526020	C-E-CHIP - 50V 2.2M-M 105C		C7G39	141P139030	C-CER-CHIP - B25V 0.1M-K	
C7E65	181P520040	C-E-CHIP - 6.3V 100M-M 105C		C7G44	181P520040	C-E-CHIP - 6.3V 100M-M 105C	
C7E66	181P520010	C-E-CHIP - 6.3V 22M-M 105C		C7G50	141P133080	C-CER-CHIP - F50V 0.01M-Z	
C7E67	181P526020	C-E-CHIP - 50V 2.2M-M 105C		C7G51	141P133080	C-CER-CHIP - F50V 0.01M-Z	
C7E68	181P520040	C-E-CHIP - 6.3V 100M-M 105C		C7G52	181P520030	C-E-CHIP - 6.3V 47M-M 105C	
C7E69	141P133080	C-CER-CHIP - F50V 0.01M-Z		C7G90	181P520030	C-E-CHIP - 6.3V 47M-M 105C	
C7E70	181P526020	C-E-CHIP - 50V 2.2M-M 105C		C7G91	181P520030	C-E-CHIP - 6.3V 47M-M 105C	
C7E71	141P133080	C-CER-CHIP - F50V 0.01M-Z		C7H00	141P133080	C-CER-CHIP - F50V 0.01M-Z	
C7E72	141P133080	C-CER-CHIP - F50V 0.01M-Z		C7H01	181P520030	C-E-CHIP - 6.3V 47M-M 105C	
C7E73	141P133080	C-CER-CHIP - F50V 0.01M-Z		C7H02	141P133080	C-CER-CHIP - F50V 0.01M-Z	
C7E74	141P133080	C-CER-CHIP - F50V 0.01M-Z		C7H03	141P133080	C-CER-CHIP - F50V 0.01M-Z	
C7E75	181P520030	C-E-CHIP - 6.3V 47M-M 105C		C7H04	141P133080	C-CER-CHIP - F50V 0.01M-Z	
C7E76	181P520040	C-E-CHIP - 6.3V 100M-M 105C		C7H10	141P133080	C-CER-CHIP - F50V 0.01M-Z	
C7E77	141P133080	C-CER-CHIP - F50V 0.01M-Z		C7H11	141P133080	C-CER-CHIP - F50V 0.01M-Z	
C7E78	141P135080	C-CER-CHIP - F50V 0.1M-Z		C7H20	141P133080	C-CER-CHIP - F50V 0.01M-Z	
C7E79	141P139030	C-CER-CHIP - B25V 0.1M-K		C7H21	141P133080	C-CER-CHIP - F50V 0.01M-Z	
C7E80	141P139030	C-CER-CHIP - B25V 0.1M-K		C7H22	141P133080	C-CER-CHIP - F50V 0.01M-Z	
C7E81	141P139030	C-CER-CHIP - B25V 0.1M-K		C7H24	141P133080	C-CER-CHIP - F50V 0.01M-Z	
C7E82	141P139030	C-CER-CHIP - B25V 0.1M-K		C7H25	181P520040	C-E-CHIP - 6.3V 100M-M 105C	
C7E83	141P139030	C-CER-CHIP - B25V 0.1M-K		C7H26	141P133080	C-CER-CHIP - F50V 0.01M-Z	
C7E84	141P135080	C-CER-CHIP - F50V 0.1M-Z		C7H27	181P520030	C-E-CHIP - 6.3V 47M-M 105C	
C7E85	141P135080	C-CER-CHIP - F50V 0.1M-Z		C7H28	141P133080	C-CER-CHIP - F50V 0.01M-Z	
C7E86	141P139030	C-CER-CHIP - B25V 0.1M-K		C7H29	141P133080	C-CER-CHIP - F50V 0.01M-Z	
C7E87	141P139030	C-CER-CHIP - B25V 0.1M-K		C7H30	141P133080	C-CER-CHIP - F50V 0.01M-Z	
C7E88	141P139030	C-CER-CHIP - B25V 0.1M-K		C7H31	181P520030	C-E-CHIP - 6.3V 47M-M 105C	
C7E89	141P139030	C-CER-CHIP - B25V 0.1M-K		C7H32	141P133080	C-CER-CHIP - F50V 0.01M-Z	
C7E90	141P139030	C-CER-CHIP - B25V 0.1M-K		C7H33	141P133080	C-CER-CHIP - F50V 0.01M-Z	
C7E91	141P135080	C-CER-CHIP - F50V 0.1M-Z		C7H34	141P133080	C-CER-CHIP - F50V 0.01M-Z	
C7E92	141P133080	C-CER-CHIP - F50V 0.01M-Z		C7H35	141P133080	C-CER-CHIP - F50V 0.01M-Z	
C7E93	141P135080	C-CER-CHIP - F50V 0.1M-Z		C7H36	141P133080	C-CER-CHIP - F50V 0.01M-Z	
C7E94	141P139030	C-CER-CHIP - B25V 0.1M-K		C7H37	141P133080	C-CER-CHIP - F50V 0.01M-Z	
C7E95	141P139030	C-CER-CHIP - B25V 0.1M-K		C7H38	181P520040	C-E-CHIP - 6.3V 100M-M 105C	
C7E96	141P139030	C-CER-CHIP - B25V 0.1M-K		C7H39	141P133080	C-CER-CHIP - F50V 0.01M-Z	
C7E97	141P139030	C-CER-CHIP - B25V 0.1M-K		C7H40	141P133080	C-CER-CHIP - F50V 0.01M-Z	
C7E98	141P139030	C-CER-CHIP - B25V 0.1M-K		C7H41	141P133080	C-CER-CHIP - F50V 0.01M-Z	
C7E99	141P135080	C-CER-CHIP - F50V 0.1M-Z		C7H42	181P520030	C-E-CHIP - 6.3V 47M-M 105C	

MODELS: WT-46807 / WS-55807 / WS-55857 / WS-55907 / WS-65807 / WS-65857 / WS-65907 / WS-73907

[#] Model Legend: (1) WS-55807, (2) WS-55857, (3) WS-55907, (4) WS-65807, (5) WS-65857, (6) WS-65907, (7) WS-73907, (8) WT-46807

Ref #	Part #	Part Name & Description	[#]	Ref #	Part #	Part Name & Description	[#]
C7H43	141P133080	C-CER-CHIP - F50V 0.01M-Z		C8A11	141P133080	C-CER-CHIP - F50V 0.01M-Z	
C7H44	181P520030	C-E-CHIP - 6.3V 47M-M 105C		C8A12	141P133080	C-CER-CHIP - F50V 0.01M-Z	
C7H45	141P133080	C-CER-CHIP - F50V 0.01M-Z		C8A13	154P323080	C-CER-CHIP - SL50V 120P-J	
C7H46	141P133080	C-CER-CHIP - F50V 0.01M-Z		C8A14	154P323080	C-CER-CHIP - SL50V 120P-J	
C7H47	141P133080	C-CER-CHIP - F50V 0.01M-Z		C8A16	141P135020	C-CER-CHIP - F25V 0.47M-Z	
C7H48	141P133080	C-CER-CHIP - F50V 0.01M-Z		C8A33	141P133080	C-CER-CHIP - F50V 0.01M-Z	
C7H49	141P133080	C-CER-CHIP - F50V 0.01M-Z		C8A37	141P135080	C-CER-CHIP - F50V 0.1M-Z	
C7H50	141P133080	C-CER-CHIP - F50V 0.01M-Z		C8A40	141P133080	C-CER-CHIP - F50V 0.01M-Z	
C7H51	141P133080	C-CER-CHIP - F50V 0.01M-Z		C8A42	141P133080	C-CER-CHIP - F50V 0.01M-Z	
C7H59	141P139030	C-CER-CHIP - B25V 0.1M-K		C8A43	172P262050	C-M-POLYESTER - 50V 0.1M-J	
C7H61	141P133080	C-CER-CHIP - F50V 0.01M-Z		C8A45	141P133080	C-CER-CHIP - F50V 0.01M-Z	
C7H62	181P520030	C-E-CHIP - 6.3V 47M-M 105C		C8A47	141P133080	C-CER-CHIP - F50V 0.01M-Z	
C7H63	141P132020	C-CER-CHIP - B50V 0.012M-K		C8A49	154P325020	C-CER-CHIP - SL50V 470P-J	
C7H64	141P132020	C-CER-CHIP - B50V 0.012M-K		C8A51	141P133080	C-CER-CHIP - F50V 0.01M-Z	
C7H70	141P133080	C-CER-CHIP - F50V 0.01M-Z		C8A52	154P334070	C-CER-CHIP - CH50V 330P-J	
C7H71	181P520030	C-E-CHIP - 6.3V 47M-M 105C		C8A53	154P333050	C-CER-CHIP - CH50V 100P-J	
C7H72	141P139030	C-CER-CHIP - B25V 0.1M-K		C8A54	141P135020	C-CER-CHIP - F25V 0.47M-Z	
C7H73	181P526010	C-E-CHIP - 50V 1M-M 105C		C8C03	181P358000	C-ELEC - 35V 1000M-M	
C7H74	141P133080	C-CER-CHIP - F50V 0.01M-Z		C8C05	181P358000	C-ELEC - 35V 1000M-M	
C7H75	181P520040	C-E-CHIP - 6.3V 100M-M 105C		C8C18	181P358000	C-ELEC - 35V 1000M-M	
C7H76	181P520030	C-E-CHIP - 6.3V 47M-M 105C		C8C20	181P358000	C-ELEC - 35V 1000M-M	
C7H77	141P133080	C-CER-CHIP - F50V 0.01M-Z		C8C43	142P020080	C-CER - B50V 820P-K	
C7H80	141P133080	C-CER-CHIP - F50V 0.01M-Z		C8C44	142P020080	C-CER - B50V 820P-K	
C7H81	141P133080	C-CER-CHIP - F50V 0.01M-Z		C8C45	142P020080	C-CER - B50V 820P-K	
C7H82	141P133080	C-CER-CHIP - F50V 0.01M-Z		C8C46	142P020080	C-CER - B50V 820P-K	
C7H83	141P133080	C-CER-CHIP - F50V 0.01M-Z		C8C47	142P020080	C-CER - B50V 820P-K	
C7H84	141P133080	C-CER-CHIP - F50V 0.01M-Z		C8C48	142P020080	C-CER - B50V 820P-K	
C7H85	141P133080	C-CER-CHIP - F50V 0.01M-Z		C8D00	141P135020	C-CER-CHIP - F25V 0.47M-Z	
C7H86	141P133080	C-CER-CHIP - F50V 0.01M-Z		C8D01	141P135020	C-CER-CHIP - F25V 0.47M-Z	
C7H87	181P520030	C-E-CHIP - 6.3V 47M-M 105C		C8D02	141P135020	C-CER-CHIP - F25V 0.47M-Z	
C7H88	141P133080	C-CER-CHIP - F50V 0.01M-Z		C8D03	141P133080	C-CER-CHIP - F50V 0.01M-Z	
C7H89	141P133080	C-CER-CHIP - F50V 0.01M-Z		C8D04	141P133080	C-CER-CHIP - F50V 0.01M-Z	
C7H90	181P520030	C-E-CHIP - 6.3V 47M-M 105C		C8D05	141P135020	C-CER-CHIP - F25V 0.47M-Z	
C7H91	141P133080	C-CER-CHIP - F50V 0.01M-Z		C8D06	141P135020	C-CER-CHIP - F25V 0.47M-Z	
C7H92	141P139030	C-CER-CHIP - B25V 0.1M-K		C8D07	141P133080	C-CER-CHIP - F50V 0.01M-Z	
C7H93	181P526010	C-E-CHIP - 50V 1M-M 105C		C8D08	141P133080	C-CER-CHIP - F50V 0.01M-Z	
C7H94	141P133080	C-CER-CHIP - F50V 0.01M-Z		C8D09	141P135020	C-CER-CHIP - F25V 0.47M-Z	
C7H95	181P520040	C-E-CHIP - 6.3V 100M-M 105C		C8D10	141P135020	C-CER-CHIP - F25V 0.47M-Z	
C7H98	181P520030	C-E-CHIP - 6.3V 47M-M 105C		C8D11	141P133080	C-CER-CHIP - F50V 0.01M-Z	
C7H99	141P133080	C-CER-CHIP - F50V 0.01M-Z		C8D12	141P133080	C-CER-CHIP - F50V 0.01M-Z	
C7J00	181P520030	C-E-CHIP - 6.3V 47M-M 105C		C8D13	141P135020	C-CER-CHIP - F25V 0.47M-Z	
C7J01	141P133080	C-CER-CHIP - F50V 0.01M-Z		C8D14	141P135020	C-CER-CHIP - F25V 0.47M-Z	
C7J20	141P133080	C-CER-CHIP - F50V 0.01M-Z		C8D15	141P133080	C-CER-CHIP - F50V 0.01M-Z	
C7J21	141P132030	C-CER-CHIP - B50V 0.015M-K	235678	C8D16	141P133080	C-CER-CHIP - F50V 0.01M-Z	
C7J30	141P133080	C-CER-CHIP - F50V 0.01M-Z	23567	C8D17	141P135020	C-CER-CHIP - F25V 0.47M-Z	
C7J31	181P520030	C-E-CHIP - 6.3V 47M-M 105C	23567	C8D18	141P135020	C-CER-CHIP - F25V 0.47M-Z	
C7J40	141P133080	C-CER-CHIP - F50V 0.01M-Z	1&4	C8D19	141P133080	C-CER-CHIP - F50V 0.01M-Z	
C7J50	141P133080	C-CER-CHIP - F50V 0.01M-Z		C8D20	141P133080	C-CER-CHIP - F50V 0.01M-Z	
C7J51	141P133080	C-CER-CHIP - F50V 0.01M-Z		C8D21	141P135020	C-CER-CHIP - F25V 0.47M-Z	
C7J52	181P520030	C-E-CHIP - 6.3V 47M-M 105C		C8D22	141P135020	C-CER-CHIP - F25V 0.47M-Z	
C7J53	141P133080	C-CER-CHIP - F50V 0.01M-Z		C8D23	141P133080	C-CER-CHIP - F50V 0.01M-Z	
C7J54	141P133080	C-CER-CHIP - F50V 0.01M-Z		C8D24	141P133080	C-CER-CHIP - F50V 0.01M-Z	
C7J60	141P133080	C-CER-CHIP - F50V 0.01M-Z		C8D26	141P135020	C-CER-CHIP - F25V 0.47M-Z	
C7K11	172P262050	C-M-POLYESTER - 50V 0.1M-J	235678	C8D27	141P135020	C-CER-CHIP - F25V 0.47M-Z	
C7K25	172P262050	C-M-POLYESTER - 50V 0.1M-J	23567	C8D29	141P135020	C-CER-CHIP - F25V 0.47M-Z	
C7K26	172P262050	C-M-POLYESTER - 50V 0.1M-J	23567	C8D31	141P139030	C-CER-CHIP - B25V 0.1M-K	
C7L22	172P262050	C-M-POLYESTER - 50V 0.1M-J	1&4	C8D33	141P139030	C-CER-CHIP - B25V 0.1M-K	
C8A07	141P133080	C-CER-CHIP - F50V 0.01M-Z		C8D35	154P335010	C-CER-CHIP - CH50V 470P-J	
C8A09	141P133080	C-CER-CHIP - F50V 0.01M-Z		C8D36	154P333030	C-CER-CHIP - CH50V 82P-J	
C8A10	141P133080	C-CER-CHIP - F50V 0.01M-Z		C8D37	154P332030	C-CER-CHIP - CH50V 33P-J	

MODELS: WT-46807 / WS-55807 / WS-55857 / WS-55907 / WS-65807 / WS-65857 / WS-65907 / WS-73907

[#] Model Legend: (1) WS-55807, (2) WS-55857, (3) WS-55907, (4) WS-65807, (5) WS-65857, (6) WS-65907, (7) WS-73907, (8) WT-46807

Ref #	Part #	Part Name & Description	[#]	Ref #	Part #	Part Name & Description	[#]
C8D38	154P335010	C-CER-CHIP - CH50V 470P-J		C8N152	141P139030	C-CER-CHIP - B25V 0.1M-K	23567
C8D39	154P333030	C-CER-CHIP - CH50V 82P-J		C8N153	141P132010	C-CER-CHIP - B50V 0.01M-K	23567
C8D40	154P332030	C-CER-CHIP - CH50V 33P-J		C8N154	181P506020	C-E-CHIP - 50V 2.2M-M	23567
C8D41	154P335010	C-CER-CHIP - CH50V 470P-J		C8N155	181P500030	C-E-CHIP - 6.3V 47M-M	23567
C8D42	154P333030	C-CER-CHIP - CH50V 82P-J		C8N156	141P132010	C-CER-CHIP - B50V 0.01M-K	23567
C8D43	154P332030	C-CER-CHIP - CH50V 33P-J		C8N157	154P331090	C-CER-CHIP - CH50V 22P-J	23567
C8D44	154P335010	C-CER-CHIP - CH50V 470P-J		C8N16	141P132010	C-CER-CHIP - B50V 0.01M-K	23567
C8D45	154P333030	C-CER-CHIP - CH50V 82P-J		C8N17	141P132010	C-CER-CHIP - B50V 0.01M-K	23567
C8D46	154P332030	C-CER-CHIP - CH50V 33P-J		C8N186	141P139030	C-CER-CHIP - B25V 0.1M-K	23567
C8D47	154P335010	C-CER-CHIP - CH50V 470P-J		C8N202	141P139030	C-CER-CHIP - B25V 0.1M-K	23567
C8D48	154P333030	C-CER-CHIP - CH50V 82P-J		C8N204	181P500010	C-E-CHIP - 6.3V 22M-M	23567
C8D49	154P332030	C-CER-CHIP - CH50V 33P-J		C8N205	141P139030	C-CER-CHIP - B25V 0.1M-K	23567
C8D50	154P335010	C-CER-CHIP - CH50V 470P-J		C8N208	141P132010	C-CER-CHIP - B50V 0.01M-K	23567
C8D51	154P333030	C-CER-CHIP - CH50V 82P-J		C8N23	141P139030	C-CER-CHIP - B25V 0.1M-K	23567
C8D52	154P332030	C-CER-CHIP - CH50V 33P-J		C8N26	141P139030	C-CER-CHIP - B25V 0.1M-K	23567
C8D53	141P139090	C-CER-CHIP - B16V 0.47M-K		C8N28	141P139030	C-CER-CHIP - B25V 0.1M-K	23567
C8D54	154P333050	C-CER-CHIP - CH50V 100P-J		C8N30	141P139030	C-CER-CHIP - B25V 0.1M-K	23567
C8D55	154P331010	C-CER-CHIP - CH50V 10P-C		C8N31	181P500030	C-E-CHIP - 6.3V 47M-M	23567
C8D56	141P133080	C-CER-CHIP - F50V 0.01M-Z		C8N34	181P500030	C-E-CHIP - 6.3V 47M-M	23567
C8M01	141P139030	C-CER-CHIP - B25V 0.1M-K	23567	C8N35	141P139030	C-CER-CHIP - B25V 0.1M-K	23567
C8M1	181P500030	C-E-CHIP - 6.3V 47M-M	23567	C8N37	181P500030	C-E-CHIP - 6.3V 47M-M	23567
C8M100	141P139030	C-CER-CHIP - B25V 0.1M-K	23567	C8N38	141P139030	C-CER-CHIP - B25V 0.1M-K	23567
C8M101	181P500030	C-E-CHIP - 6.3V 47M-M	23567	C8N40	141P139030	C-CER-CHIP - B25V 0.1M-K	23567
C8M14	141P139030	C-CER-CHIP - B25V 0.1M-K	23567	C8N41	181P500030	C-E-CHIP - 6.3V 47M-M	23567
C8M16	141P130090	C-CER-CHIP - B50V 1000P-K	23567	C8N43	181P500030	C-E-CHIP - 6.3V 47M-M	23567
C8M21	154P332070	C-CER-CHIP - CH50V 47P-J	23567	C8N44	141P139030	C-CER-CHIP - B25V 0.1M-K	23567
C8M22	141P132010	C-CER-CHIP - B50V 0.01M-K	23567	C8N45	181P500030	C-E-CHIP - 6.3V 47M-M	23567
C8M23	154P332070	C-CER-CHIP - CH50V 47P-J	23567	C8N46	141P139030	C-CER-CHIP - B25V 0.1M-K	23567
C8M24	141P132010	C-CER-CHIP - B50V 0.01M-K	23567	C8N47	141P132010	C-CER-CHIP - B50V 0.01M-K	23567
C8M30	141P139030	C-CER-CHIP - B25V 0.1M-K	23567	C8N48	141P132010	C-CER-CHIP - B50V 0.01M-K	23567
C8M36	141P139030	C-CER-CHIP - B25V 0.1M-K	23567	C8N51	141P132010	C-CER-CHIP - B50V 0.01M-K	23567
C8M41	141P139030	C-CER-CHIP - B25V 0.1M-K	23567	C8N52	181P500030	C-E-CHIP - 6.3V 47M-M	23567
C8M44	141P139030	C-CER-CHIP - B25V 0.1M-K	23567	C8N53	154P333050	C-CER-CHIP - CH50V 100P-J	23567
C8M45	181P500030	C-E-CHIP - 6.3V 47M-M	23567	C8N54	181P506020	C-E-CHIP - 50V 2.2M-M	23567
C8M51	141P139030	C-CER-CHIP - B25V 0.1M-K	23567	C8N55	141P132010	C-CER-CHIP - B50V 0.01M-K	23567
C8M70	141P139030	C-CER-CHIP - B25V 0.1M-K	23567	C8N56	141P139030	C-CER-CHIP - B25V 0.1M-K	23567
C8M80	141P139030	C-CER-CHIP - B25V 0.1M-K	23567	C8N57	181P500010	C-E-CHIP - 6.3V 22M-M	23567
C8M81	181P500030	C-E-CHIP - 6.3V 47M-M	23567	C8N58	141P132010	C-CER-CHIP - B50V 0.01M-K	23567
C8M89	141P139030	C-CER-CHIP - B25V 0.1M-K	23567	C8N60	141P132010	C-CER-CHIP - B50V 0.01M-K	23567
C8M91	141P139030	C-CER-CHIP - B25V 0.1M-K	23567	C8N67	181P505000	C-E-CHIP - 35V 10M-M	23567
C8M93	141P139030	C-CER-CHIP - B25V 0.1M-K	23567	C8N68	181P505000	C-E-CHIP - 35V 10M-M	23567
C8M95	141P139030	C-CER-CHIP - B25V 0.1M-K	23567	C8N69	181P505000	C-E-CHIP - 35V 10M-M	23567
C8MF37	141P139030	C-CER-CHIP - B25V 0.1M-K	23567	C8N78	141P132010	C-CER-CHIP - B50V 0.01M-K	23567
C8MF47	181P500030	C-E-CHIP - 6.3V 47M-M	23567	C8N79	141P132010	C-CER-CHIP - B50V 0.01M-K	23567
C8MG14	141P139030	C-CER-CHIP - B25V 0.1M-K	23567	C8N82	141P132010	C-CER-CHIP - B50V 0.01M-K	23567
C8MR00	141P139030	C-CER-CHIP - B25V 0.1M-K	23567	C8S01	181P500030	C-E-CHIP - 6.3V 47M-M	23567
C8MR01	141P135000	C-CER-CHIP - F25V 0.22M-Z	23567	C8S07	141P139030	C-CER-CHIP - B25V 0.1M-K	23567
C8MR14	141P139030	C-CER-CHIP - B25V 0.1M-K	23567	C8S102	141P139030	C-CER-CHIP - B25V 0.1M-K	23567
C8N05	141P132010	C-CER-CHIP - B50V 0.01M-K	23567	C8S104	141P139030	C-CER-CHIP - B25V 0.1M-K	23567
C8N06	141P132010	C-CER-CHIP - B50V 0.01M-K	23567	C8S106	141P139030	C-CER-CHIP - B25V 0.1M-K	23567
C8N103	141P132010	C-CER-CHIP - B50V 0.01M-K	23567	C8S117	141P139030	C-CER-CHIP - B25V 0.1M-K	23567
C8N104	181P500030	C-E-CHIP - 6.3V 47M-M	23567	C8S118	141P139030	C-CER-CHIP - B25V 0.1M-K	23567
C8N107	141P132010	C-CER-CHIP - B50V 0.01M-K	23567	C8S132	141P139030	C-CER-CHIP - B25V 0.1M-K	23567
C8N122	181P500030	C-E-CHIP - 6.3V 47M-M	23567	C8S133	181P500030	C-E-CHIP - 6.3V 47M-M	23567
C8N124	141P139030	C-CER-CHIP - B25V 0.1M-K	23567	C8S146	141P139030	C-CER-CHIP - B25V 0.1M-K	23567
C8N128	141P139030	C-CER-CHIP - B25V 0.1M-K	23567	C8S158	141P139030	C-CER-CHIP - B25V 0.1M-K	23567
C8N13	181P500030	C-E-CHIP - 6.3V 47M-M	23567	C8S159	141P139030	C-CER-CHIP - B25V 0.1M-K	23567
C8N130	141P139030	C-CER-CHIP - B25V 0.1M-K	23567	C8S170	141P139030	C-CER-CHIP - B25V 0.1M-K	23567
C8N14	141P139030	C-CER-CHIP - B25V 0.1M-K	23567	C8S176	141P139030	C-CER-CHIP - B25V 0.1M-K	23567
C8N151	181P520010	C-E-CHIP - 6.3V 22M-M 105C	23567	C8S177	181P500030	C-E-CHIP - 6.3V 47M-M	23567

[#] Model Legend: (1) WS-55807, (2) WS-55857, (3) WS-55907, (4) WS-65807, (5) WS-65857, (6) WS-65907, (7) WS-73907, (8) WT-46807

Ref #	Part #	Part Name & Description	[#]
C8S20	141P139030	C-CER-CHIP - B25V 0.1M-K	23567
C8S21	141P139030	C-CER-CHIP - B25V 0.1M-K	23567
C8S23	141P139030	C-CER-CHIP - B25V 0.1M-K	23567
C8S29	141P139030	C-CER-CHIP - B25V 0.1M-K	23567
C8S32	141P139030	C-CER-CHIP - B25V 0.1M-K	23567
C8S44	141P132010	C-CER-CHIP - B50V 0.01M-K	23567
C8S48	181P500030	C-E-CHIP - 6.3V 47M-M	23567
C8S52	141P139030	C-CER-CHIP - B25V 0.1M-K	23567
C8S62	141P139030	C-CER-CHIP - B25V 0.1M-K	23567
C8S65	141P139030	C-CER-CHIP - B25V 0.1M-K	23567
C8S76	141P139030	C-CER-CHIP - B25V 0.1M-K	23567
C8S78	141P139030	C-CER-CHIP - B25V 0.1M-K	23567
C8S88	141P139030	C-CER-CHIP - B25V 0.1M-K	23567
C8SC20	141P139030	C-CER-CHIP - B25V 0.1M-K	23567
C8X01	141P139030	C-CER-CHIP - B25V 0.1M-K	23567
C9A05	189P185070	C-CER - 250VAC 1000P-M	
C9A06	189P185070	C-CER - 250VAC 1000P-M	
C9A07	189P153040	C-M-POLY - 250VAC 0.1M-M	
C9A08	189P185090	C-CER - 250VAC 2200P-M	
C9A09	189P185090	C-CER - 250VAC 2200P-M	
C9A10	189P185090	C-CER - 250VAC 2200P-M	
C9A11	189P185090	C-CER - 250VAC 2200P-M	
C9A12	185D122040	C-ELEC - H200V 820M-M 105C	
C9A13	189P152070	C-M-POLY - 250VAC 0.01M-M	
C9A14	189P152070	C-M-POLY - 250VAC 0.01M-M	
C9A20	189P152070	C-M-POLY - 250VAC 0.01M-M	
C9A24	142P020050	C-CER - B50V 470P-K	
C9A50	142P020050	C-CER - B50V 470P-K	
C9A53	185D122040	C-ELEC - H200V 820M-M 105C	
C9A54	154P260080	C-CER - R1KV 3300P-K	
C9A55	142P020070	C-CER - B50V 680P-K	
C9A58	185D163020	C-ELEC - H50V 4700M-M 105C	
C9A62	181P195080	C-ELEC - 350V 47M-M/Q	
C9A63	185D121020	C-ELEC - H180V 470M-M 105C	
C9A69	181P358030	C-ELEC - 35V 4700M-M	
C9A73	181P358030	C-ELEC - 35V 4700M-M	
C9C03	141P133080	C-CER-CHIP - F50V 0.01M-Z	
C9C06	141P139090	C-CER-CHIP - B16V 0.47M-K	
C9C11	141P139090	C-CER-CHIP - B16V 0.47M-K	
C9C13	141P139030	C-CER-CHIP - B25V 0.1M-K	
C9C21	141P139090	C-CER-CHIP - B16V 0.47M-K	
C9C22	141P139030	C-CER-CHIP - B25V 0.1M-K	
C9D00	189P153040	C-M-POLY - 250VAC 0.1M-M	
C9D01	189P153040	C-M-POLY - 250VAC 0.1M-M	
CF6M01	299P128010	CERAMIC-OSC - CSB500F2	
CF6P01	299P128010	CERAMIC-OSC - CSB500F2	
SWITCHES			
S7K01	432P089010	SW-KEY-BOARD - PUSH-ON	235678
S7L01	432P089010	SW-KEY-BOARD - PUSH-ON	235678
S7L02	432P089010	SW-KEY-BOARD - PUSH-ON	235678
S7L03	432P089010	SW-KEY-BOARD - PUSH-ON	235678
S7L04	432P089010	SW-KEY-BOARD - PUSH-ON	235678
S7L05	432P089010	SW-KEY-BOARD - PUSH-ON	235678
S7L06	432P089010	SW-KEY-BOARD - PUSH-ON	235678
S7L07	432P089010	SW-KEY-BOARD - PUSH-ON	235678
S7L08	432P089010	SW-KEY-BOARD - PUSH-ON	235678
S7L09	432P089010	SW-KEY-BOARD - PUSH-ON	235678
S7L10	432P089010	SW-KEY-BOARD - PUSH-ON	235678
S7L11	432P089010	SW-KEY-BOARD - PUSH-ON	235678
S7L12	432P089010	SW-KEY-BOARD - PUSH-ON	235678

Ref #	Part #	Part Name & Description	[#]
S7L13	432P089010	SW-KEY-BOARD - PUSH-ON	235678
S7L21	432P089010	SW-KEY-BOARD - PUSH-ON	1&4
S7L22	432P089010	SW-KEY-BOARD - PUSH-ON	1&4
S7L23	432P089010	SW-KEY-BOARD - PUSH-ON	1&4
S7L24	432P089010	SW-KEY-BOARD - PUSH-ON	1&4
S7L25	432P089010	SW-KEY-BOARD - PUSH-ON	1&4
S7L26	432P089010	SW-KEY-BOARD - PUSH-ON	1&4
S7L27	432P089010	SW-KEY-BOARD - PUSH-ON	1&4
S7L28	432P089010	SW-KEY-BOARD - PUSH-ON	1&4
S7L29	432P089010	SW-KEY-BOARD - PUSH-ON	1&4
MISCELLANEOUS			
	189P078010	C-M-PLA-PP - 200V 10M-K-TWEETER CAP	3-7
	242D483020	IR-EMITTER	
	246C351030	AC-POWER-CORD	
	330P276010	DEFL-YOKE	
	338P046030	SVM COIL ASSY - G&B	12458
	338P046080	SVM COIL ASSY - RED	12458
	338P051010	SVM COIL ASSY - R&G	3-7
	338P051020	SVM COIL ASSY - BLUE	3-7
	490P174010	LENS:RED	1-2-8
	490P174020	LENS:GREEN	1-2-8
	490P174030	LENS:BLUE	1-2-8
	490P174070	LENS:RED	4-5
	490P174080	LENS:GREEN	4-5
	490P174090	LENS:BLUE	3-4-5-6
	490P195010	LENS:ALL COLORS	7
	490P210010	LENS:RED	3-6
	490P210020	LENS:GREEN	3-6
	449C141030	SOCKET-CRT	
	453B035010	CAP-ANODE - SHORT - RED	1234568
	453B035020	CAP-ANODE - LONG - G&B	1234568
	453B035030	CAP-ANODE - SHORT - RED	7
	453B035040	CAP-ANODE - LONG - G&B	7
	453C021030	LEAD-ANODE - FBT-HV	
	480P053010	SPEAKER	12458
	480P057010	SPEAKER - LARGE	3-7
	480P058010	SPEAKER - SMALL	3-7
	589C062010	CASTER	
	622C065010	CLIP-MIRROR	8
	622C076010	BRACKET-SVM	
	642C340010	BOARD-MIRROR	4-6
	642C352010	CLIP-MIRROR	1-3
	669D514070	SCREW-MIRROR BOARD	4-7
	767C031010	MIRROR - 73"	7
	767D048090	MIRROR - 65"	4-6
	767D055040	MIRROR - 55"	1-3
	767D055050	MIRROR - 46"	8
	920P016010	HV-BLOCK - MSC102	
AG5K00	224D019040	AIR-GAP - 2.0+-0.5KV S.LEAD	
F5A00	283P043060	FUSE - LF251 3A	
F5A01	283P043060	FUSE - LF251 3A	
F9A01	283P044010	FUSE - LF251 7A	
F9A02	283P044020	FUSE - LF251 10A	
F9A03	283P043090	FUSE - LF251 5A	
F9A04	283P043090	FUSE - LF251 5A	
F9A05	283P043090	FUSE - LF251 5A	
F9A06	283P044010	FUSE - LF251 7A	
F9D00	283D131040	FUSE - S10A 125A	
K9A50	287P049080	RELAY-POWER - DG12D1-0(M)	

[#] Model Legend: (1) WS-55807, (2) WS-55857, (3) WS-55907, (4) WS-65807, (5) WS-65857, (6) WS-65907, (7) WS-73907, (8) WT-46807

Ref #	Part #	Part Name & Description	[#]	Ref #	Part #	Part Name & Description	[#]
PC9A20	268P058020	PHOTO-COUPLER - ON3131-R/ON3161-R		935C916001		ASSY-BITMAP	23567
PC9A50	268P058020	PHOTO-COUPLER - ON3131-R/ON3161-R		935D519001		ASSY-PWB-PREAMP	
PC9A51	268P058020	PHOTO-COUPLER - ON3131-R/ON3161-R		935D520001		ASSY-PWB-SVM	
PJ2J01	440C386010	PIN-JACK-BOARD	12458	935D521001		ASSY-PWB-DBF	12458
PJ2J01	440C386030	PIN-JACK-BOARD-6P-2S	3-7	935D521002		ASSY-PWB-DBF	7
PJ2J02	440C386020	PIN-JACK-BOARD-6P-1S	12458	935D521003		ASSY-PWB-DBF	3&6
PJ2J02	440C386040	PIN-JACK-BOARD-6P-1S	3-7	935D522001		ASSY-PWB-JUNGLE	
PJ2J03	440C387010	I-S-CONNECTOR - 1S(NI) YKF51-5562	2&5	935D523001		ASSY-PWB-CONV-GENE	
PJ2J03	440C387020	I-S-CONNECTOR	3-7	935D524001		ASSY-PWB-CONTROL 2	1&4
PJ2J04	440C261050	PIN-JACK-BOARD-2P	2&5	935D525001		ASSY-PWB-FRONT	12458
PJ2J04	440C383020	PIN-JACK-BOARD-2P	3-7	935D525002		ASSY-PWB-FRONT	3-7
PJ2J06	440C261070	PIN-JACK-BOARD-2P	2&5	935D526001		ASSY-PWB-CONTROL	235678
PJ2J06	440C383040	PIN-JACK-BOARD-2P	3-7	935D527001		ASSY-PWB-DISPLAY	235678
PJ2J07	440C385010	PIN-JACK-BOARD-6P	12458	935D528001		ASSY-PWB-AI	235678
PJ2J07	440C385030	PIN-JACK-BOARD-6P	3-7	935D531001		ASSY-PWB-3DYC/MD	
PJ2J08	440C261070	PIN-JACK-BOARD-2P	12458	935D536001		ASSY-PREAMP2	23567
PJ2J08	440C383040	PIN-JACK-BOARD-2P	3-7	975B135005		ASSY-CONTROL PANEL	8
PJ2J09	440C261050	PIN-JACK-BOARD-2P	12458	975B135006		ASSY-CONTROL PANEL	25
PJ2J09	440C383020	PIN-JACK-BOARD-2P	3-7	975B135007		ASSY-CONTROL PANEL	367
PJ2J10	440C385020	PIN-JACK-BOARD-6P	12458	COSMETIC PARTS			
PJ2J10	440C385040	PIN-JACK-BOARD-6P	3-7	641C474030		DAMPER-CONTROL-PANEL	235678
PJ2J11	440C231010	JACK-3PIN - FRONT A/V	12458	702A383010		COVER-CONTROL	3-7
PJ2J11	440C384010	PIN-JACK-BOARD-3P-1S-FRONT A/V	3-7	702A384020		DOOR-CONTROL	235678
PJ2J11	440C261050	PIN-JACK-BOARD-2P-PCB-TERMINAL	12458	702A391020		PANEL-CONTROL	1
PJ2J11	440C383020	PIN-JACK-BOARD-2P-PCB-TERMINAL	3-7	702A392010		PANEL-TERMINAL	
PJ2J12	440C261050	PIN-JACK-BOARD-2P	12458	702A393020		PANEL-CONTROL	4
PJ2J12	440C383020	PIN-JACK-BOARD-2P	3-7	702A395010		COVER-CONTROL PANEL	2-8
PJ7A00	451C129010	JACK-MINI - AV NET/IR BLAST		703B031020		DOOR - FRONT A/V IN COVER	1&4
PJ7A01	451C129010	JACK-MINI - AV NET/IR BLAST	23567	704B147020		KNOB-POWER	235678
PJ7A02	451C129010	JACK-MINI - AV NET/IR BLAST		750A356010		COVER-BACK - 46"	8
PT7A00	264P723010	D-LED - SFH310-3	1&4	752A001010		UNIT-FRONT-TOP	3
PT7A10	264P723010	D-LED - SFH310-3	235678	752A002010		UNIT-FRONT	3
TU1A01	295P500010	TUNER-RF - ENG26515G		752A002020		UNIT-FRONT	6
TU1B01	295P500010	TUNER-RF - ENG26515G		752A002030		UNIT-FRONT	7
X2031	285P374050	QUARTZ-CRYST - 20.000MHZ		752A003010		UNIT-FRONT-TOP	6&7
X3A01	299P208010	CERAMIC-OSC - C5B503F58		752C244010		UNIT-FLIP-PANEL-CONT	235678
X6C26	285P374020	QUARTZ-CRYST - 3.579545MHZ		760B259010		OVERLAY - PANEL-CONTROL	235678
X6P26	285P374020	QUARTZ-CRYST - 3.579545MHZ		761A159020		GRILLE-SP - 60"	1
X7A01	285P029030	QUARTZ-CRYST - 4.000000MHZ		761A162010		GRILLE-SP - 46"	8
X7H00	285P335040	QUARTZ-CRYST - 60.000MHZ		761A171010		GRILLE-SP - 65"	4
X7H01	285P335050	QUARTZ-CRYST - 80.000MHZ		761A172010		GRILLE-SP - 55"	2
X8N01	285P391010	OSC - DSO751SV 24.576 MHZ	23567	761A173010		GRILLE-SP - 65"	5
X8S01	285P391020	OSC - DSO751SV 33.333 MHZ	23567	761A174010		GRILLE-SP-LEFT - 55"	3
Z7K01	939P617010	UNIT-PREAMP - GP1U283Q		761A174020		GRILLE-SP-RIGHT - 55"	3
PRINTED CIRCUIT BOARDS				761A175010		GRILLE-SP-LEFT - 65"	6
	930B866001	ASSY-PWB-MAIN	1245	761A175020		GRILLE-SP-RIGHT - 65"	6
	930B866002	ASSY-PWB-MAIN	8	761A186010		GRILLE-SP-LEFT - 73"	7
	930B866003	ASSY-PWB-MAIN	7	761A186020		GRILLE-SP-RIGHT - 73"	7
	930B866004	ASSY-PWB-MAIN	3&6	761C437010		CATCH-DOOR	235678
	930B867001	ASSY-PWB-POWER		762B345020		BACK-BOARD	8
	930B868001	ASSY-PWB-SIGNAL	1&4	ACCESSORIES			
	930B868002	ASSY-PWB-SIGNAL	2&5	290P103010		REMOTE CONTROL	148
	930B868003	ASSY-PWB-SIGNAL	3&6	290P103020		REMOTE CONTROL	23567
	930B868004	ASSY-PWB-SIGNAL	7	871B195010		IB-SEPARATE	5-7
	930B868005	ASSY-PWB-SIGNAL	8	871B195020		IB-SEPARATE	4
	935C907001	ASSY-PWB-CRT		871D297010		IB - OWNERS GUIDE	23567
	935C908001	ASSY-PWB-2HDW		871D297020		IB - OWNERS GUIDE	148
	935C915001	ASSY-TERMINAL	1-8	852C082010		QR - GUIDE	23567
	935C915002	ASSY-TERMINAL	2&5	852C082020		QR - GUIDE	148
	935C915003	ASSY-TERMINAL	3-7				

[#] Model Legend: (1) WS-55807, (2) WS-55857, (3) WS-55907, (4) WS-65807, (5) WS-65857, (6) WS-65907, (7) WS-73907, (8) WT-46807

Ref #	Part #	Part Name & Description
SCREEN ASSEMBLY PARTS		
WS-55807 (Figure 1)		
(1)	491P103010	SCREEN-LENTICULAR
(2)	491P104010	LENS-FRESNEL
(3)	702A391020	PANEL-CONTROL
(4)	622C060040	CLIP-SCREEN-TOP/BOT
(5)	622C063040	HOLDER-SCREEN-BOT
(6)	701B400080	FRAME-SCREEN-TOP - 60"
(7)	701B417010	FRAME-SCREEN-SIDE - 55"
(8)	702A388030	CAP-CORNER-LEFT
(9)	702A388040	CAP-CORNER-RIGHT
(10)	760D627060	DIAMOND SHIELD

Ref #	Part #	Part Name & Description
WS-65807 (Figure 1)		
(1)	491P105020	SCREEN LENTICULAR
(2)	491P106020	LENS-FRESNEL
(3)	702A393020	PANEL-CONTROL
(4)	622C059050	HOLDER-SCREEN-BOT
(5)	622C060050	CLIP-SCREEN-TOP/BOT
(6)	701B425010	FRAME-SCREEN-TOP - 70"
(7)	701B426030	FRAME-SCREEN-SIDE - 65"
(8)	702A388030	CAP-CORNER-LEFT
(9)	702A388040	CAP-CORNER-RIGHT
(10)	760D627080	DIAMOND SHIELD

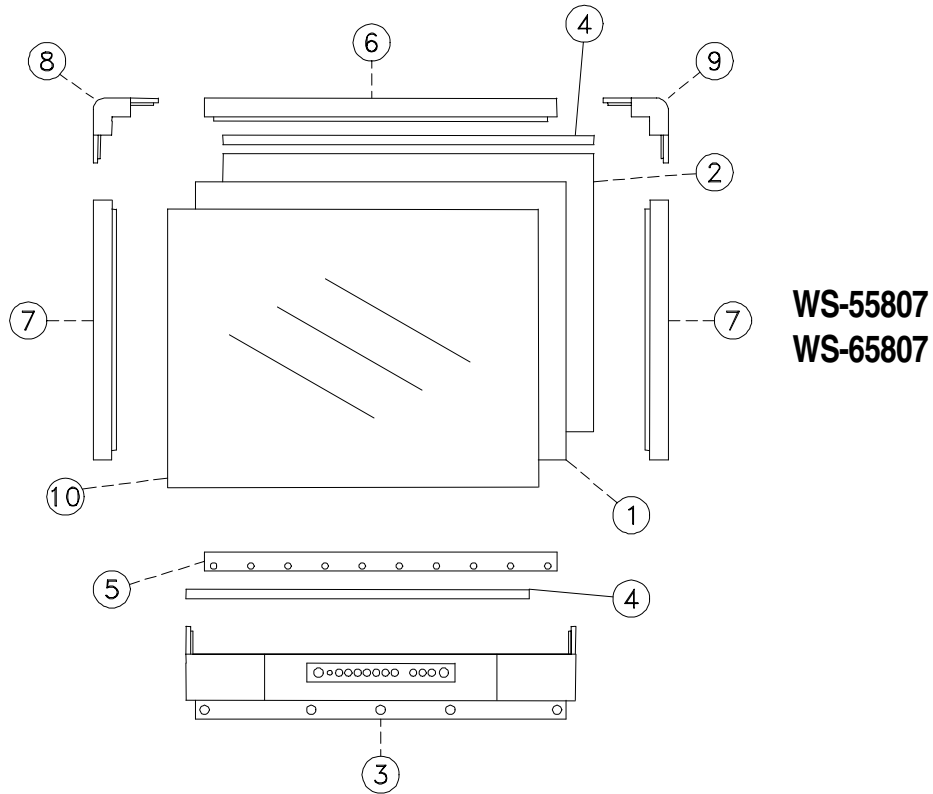
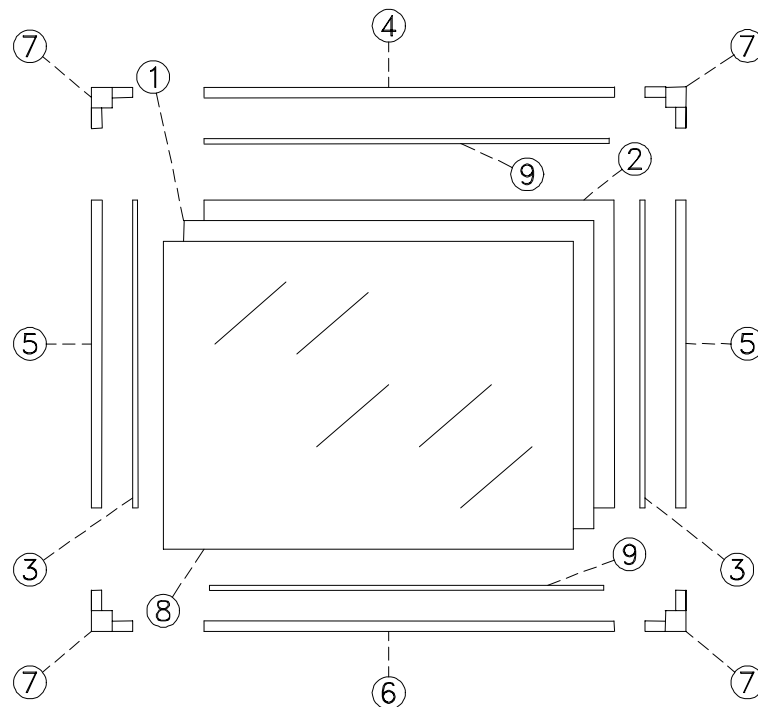


Figure 1: Screen Assembly Parts

[#] Model Legend: (1) WS-55807, (2) WS-55857, (3) WS-55907, (4) WS-65807, (5) WS-65857, (6) WS-65907, (7) WS-73907, (8) WT-46807

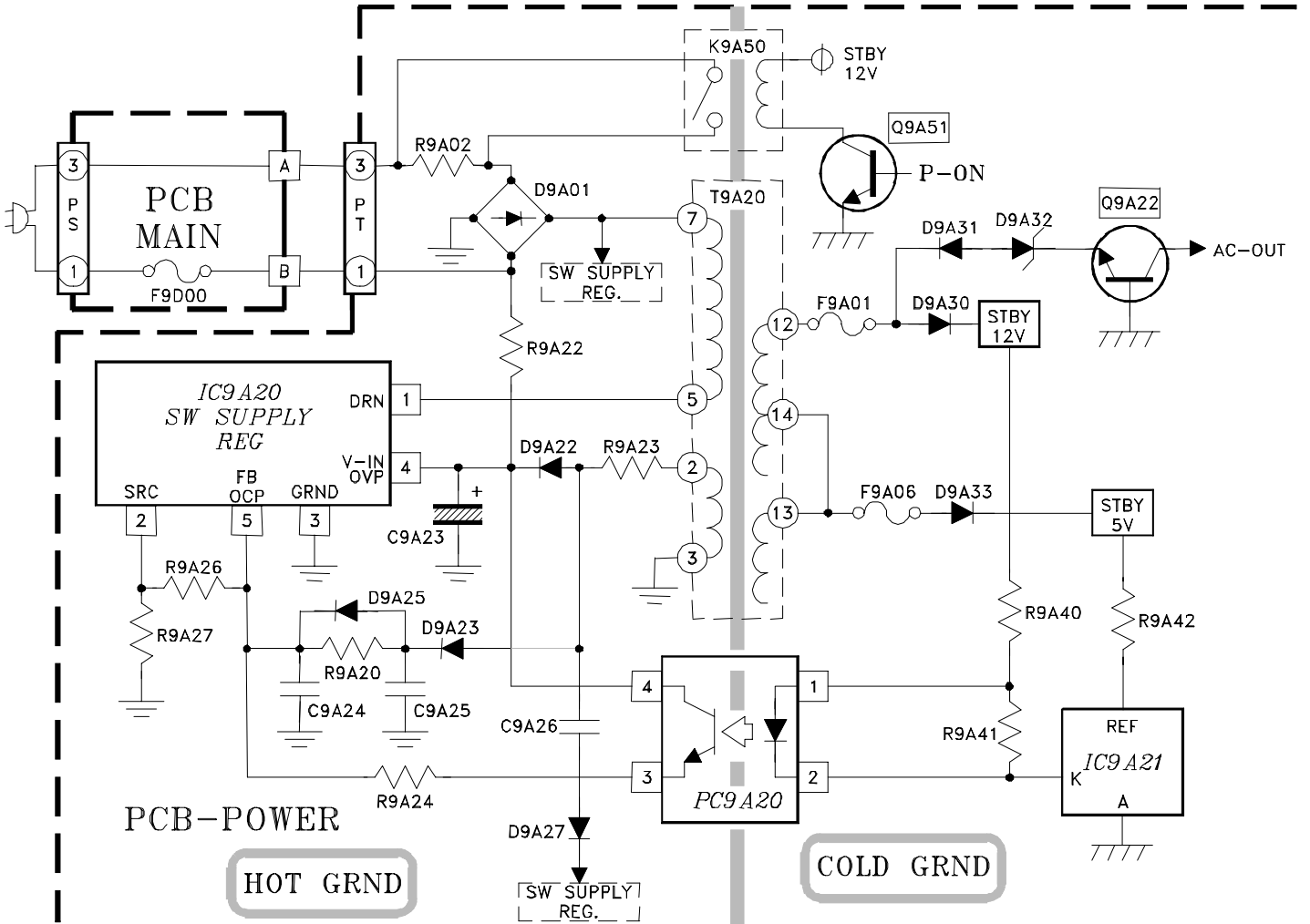
Ref #	Part #	Part Name & Description	Ref #	Part #	Part Name & Description
WS-55857 (Figure 2)			WS-65907 (Figure 2)		
(1)	491P103010	SCREEN-LENTICULAR	(1)	491P105010	SCREEN-LENTICULAR
(2)	491P104010	LENS-FRESNEL	(2)	491P106010	LENS-FRESNEL
(9)	622C071010	CLIP-SCREEN-TOP/BOT	(3)	622D746020	CLIP-SCREEN-SIDES
(4&6)	701B429010	SCREEN-FRAME-TOP/BOT - 55"	(4)	711C026040	FRAME-SCREEN-TOP - 65"
(5)	701B430010	SCREEN-FRAME-SIDES - 55"	(5)	711C026050	FRAME-SCREEN-SIDES - 65"
(7)	702A396010	CAP-CORNER	(6)	711C026060	FRAME-SCREEN-BOTTOM - 65"
(8)	760D627060	DIAMOND SHIELD	(7)	768C065010	CAP-CORNER
WS-55907 (Figure 2)			WS-73907 (Figure 2)		
(1)	491P103010	SCREEN-LENTICULAR	(1)	491P085020	SCREEN-LENTICULAR
(2)	491P104010	LENS-FRESNEL	(2)	491P086020	LENS-FRESNEL
(3)	622D746080	CLIP-SCREEN-SIDES	(3)	622D746010	CLIP-SCREEN-SIDES
(4)	711C029040	FRAME-SCREEN-TOP - 55"	(4)	711C029070	FRAME-SCREEN-TOP - 73"
(5)	711C029050	FRAME-SCREEN-SIDES - 55"	(5)	711C029080	FRAME-SCREEN-SIDES - 73"
(6)	711C029060	FRAME-SCREEN-BOTTOM - 55"	(6)	711C029090	FRAME-SCREEN-BOTTOM - 73"
(7)	768C065010	CAP-CORNER	(7)	768C065010	CAP-CORNER
(8)	760D628010	DIAMOND SHIELD	(8)	760D628030	DIAMOND SHIELD
WS-65857 (Figure 2)			WT-46807 (Figure 2)		
(1)	491P105010	SCREEN-LENTICULAR	(1)	491P118010	SCREEN-LENTICULAR
(2)	491P106010	LENS-FRESNEL	(2)	491P119010	LENS-FRESNEL
(9)	622C071020	CLIP-SCREEN-TOP/BOT	(3)	622D746070	CLIP-SCREEN-SIDES
(4&6)	701B429020	SCREEN-FRAME-TOP/BOT - 65"	(4)	711C029010	FRAME-SCREEN-TOP - 46"
(5)	701B430020	SCREEN-FRAME-SIDES - 65"	(5)	711C029020	FRAME-SCREEN-SIDES - 46"
(7)	702A396010	CAP-CORNER	(6)	711C029030	FRAME-SCREEN-BOTTOM - 46"
(8)	760D627070	DIAMOND SHIELD	(7)	768C065020	CAP-CORNER
			(8)	760D627050	DIAMOND SHIELD



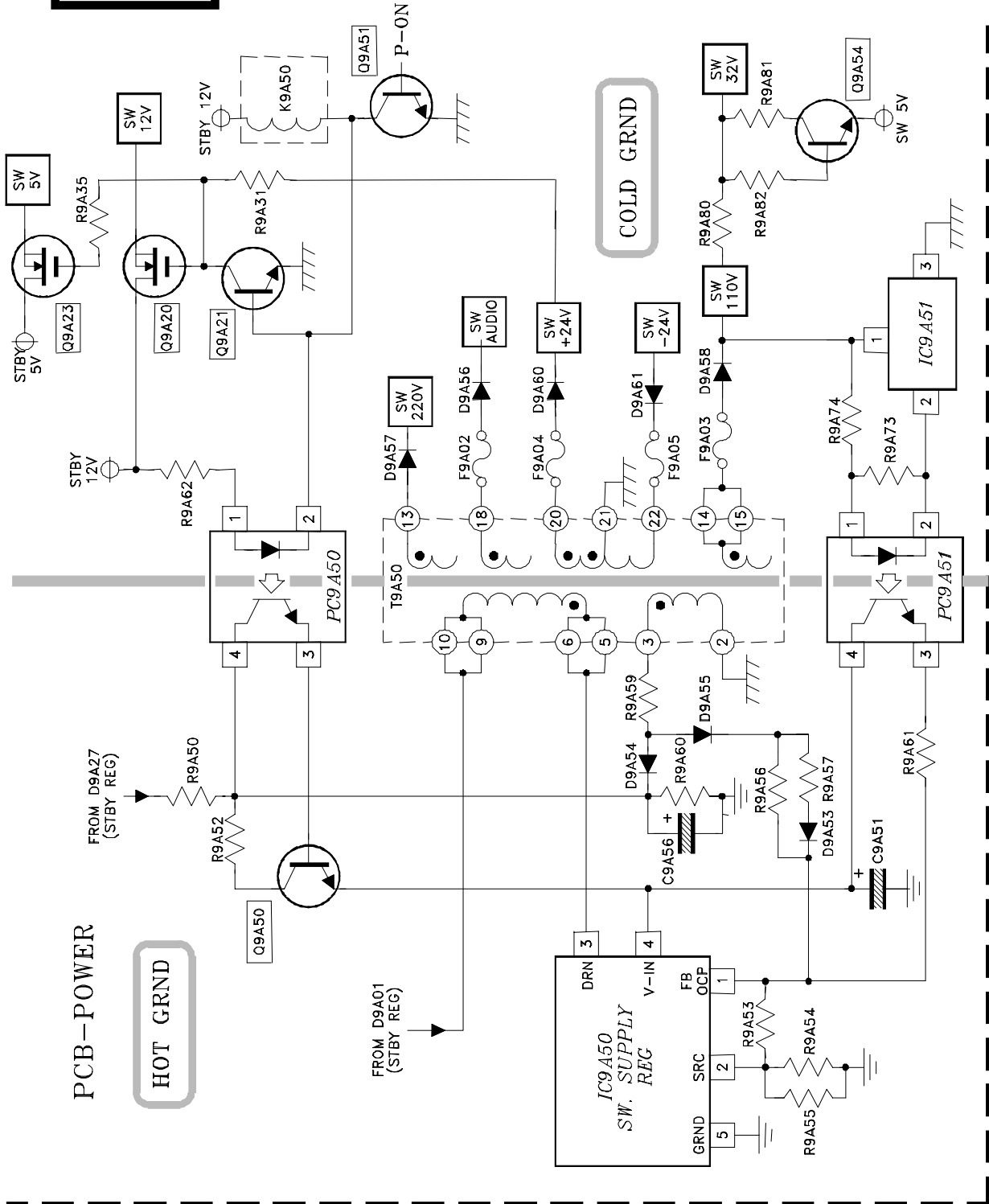
WS-55857
WS-65857
WS-55907
WS-65907
WS-73907
WT-46807

Figure 2: Screen Assembly Parts

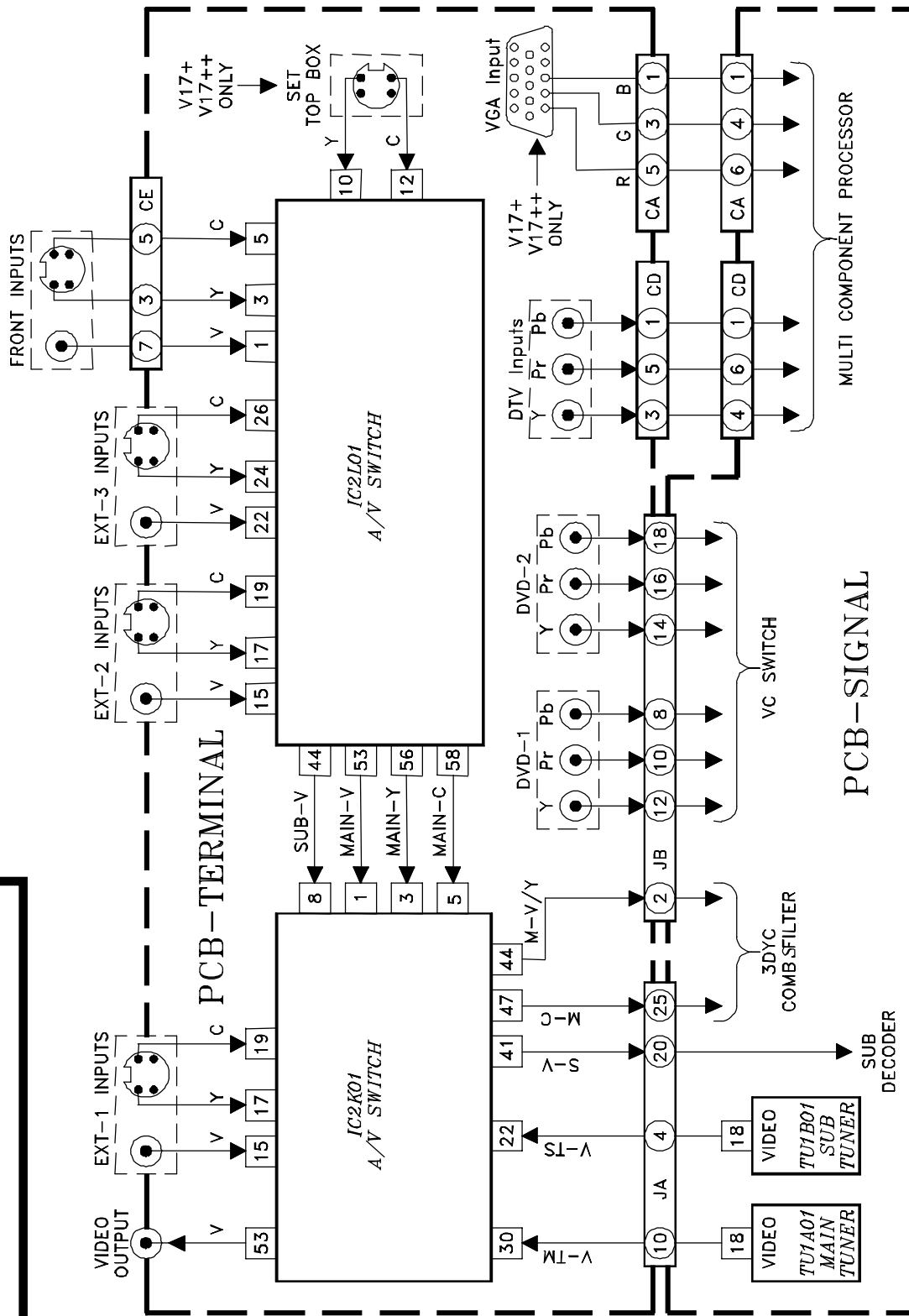
STANDBY SUPPLY REGULATOR

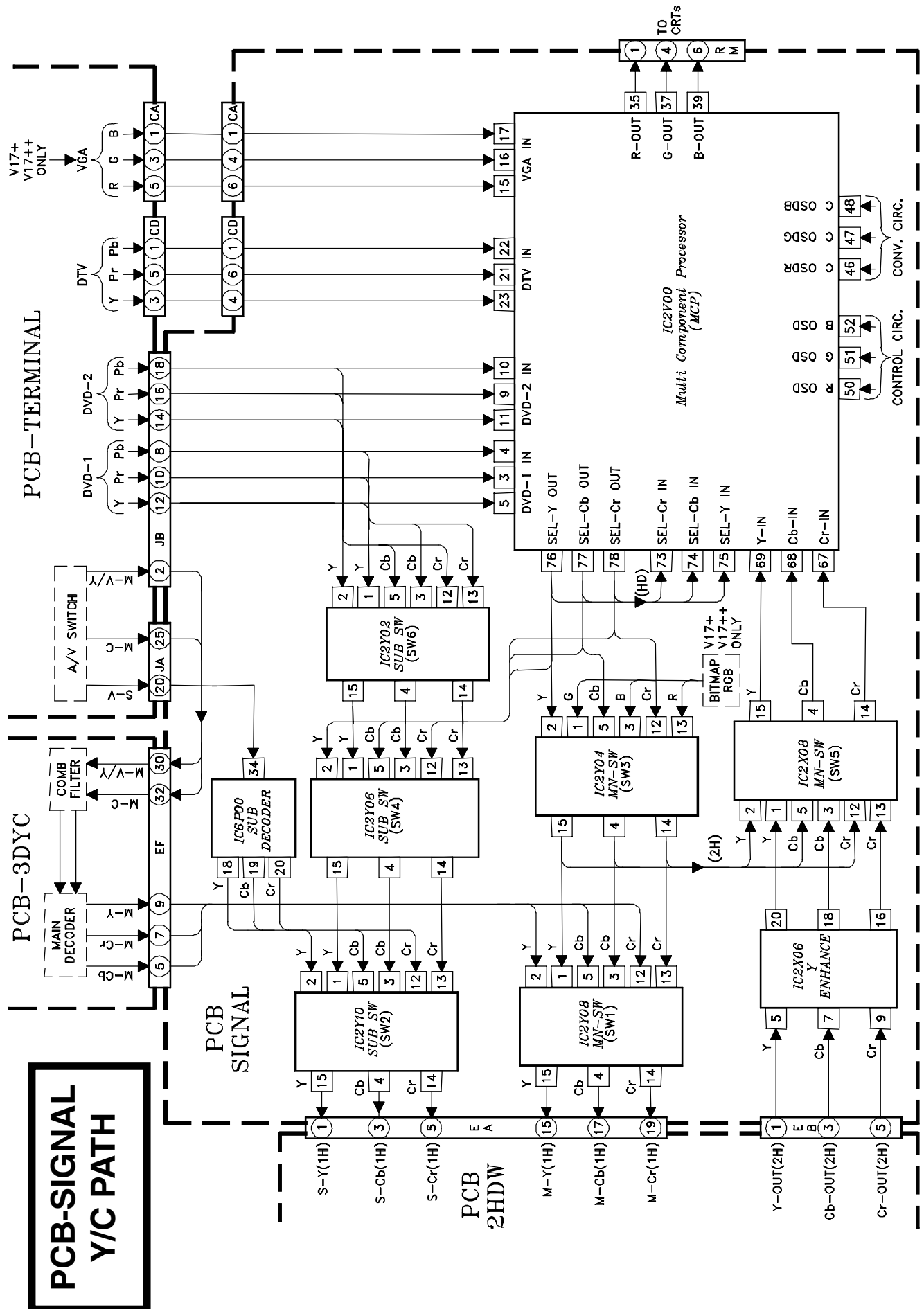


SWITCHED SUPPLIES REGULATOR

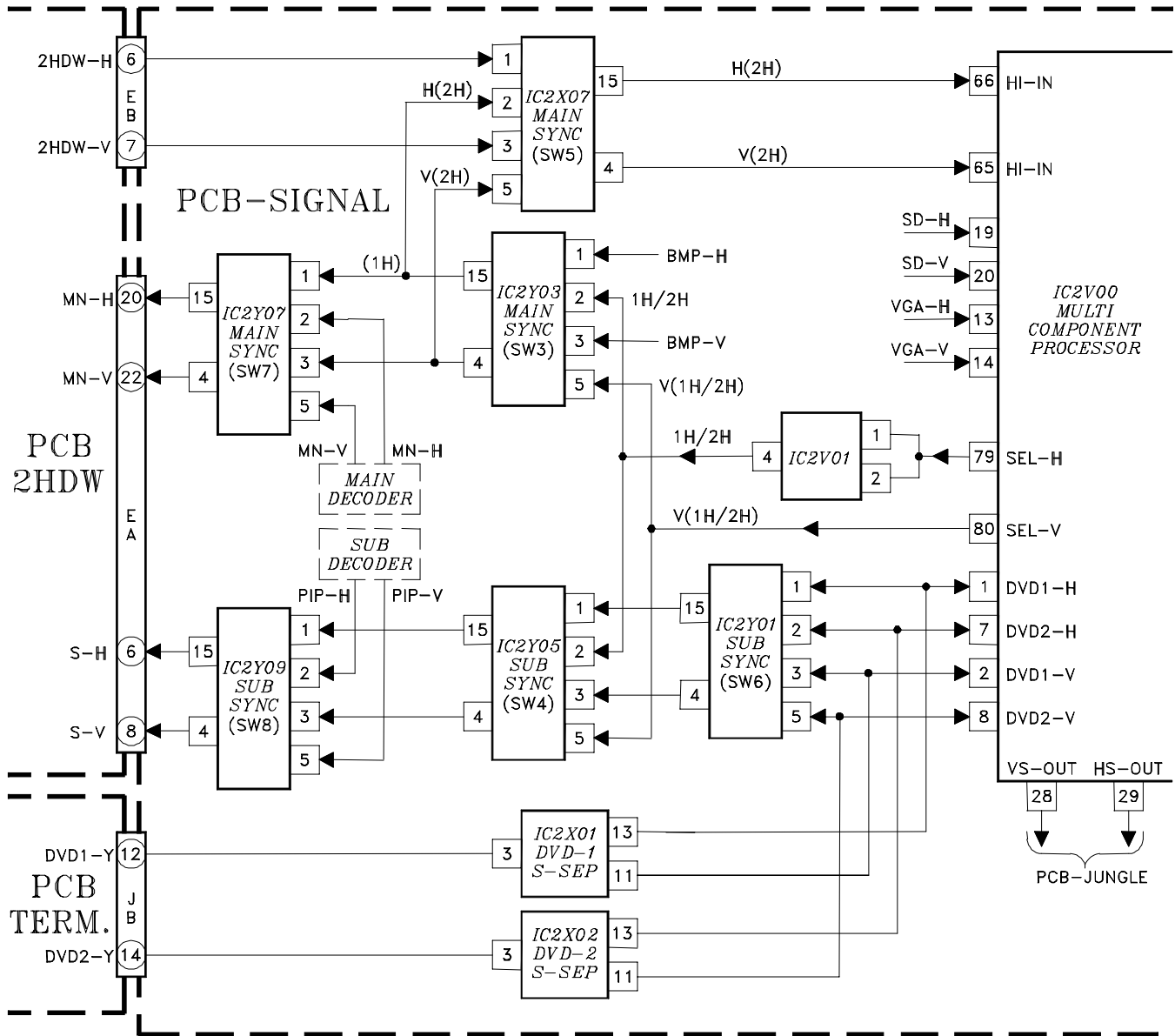


VIDEO/COLOR A/V SWITCH CIRCUIT

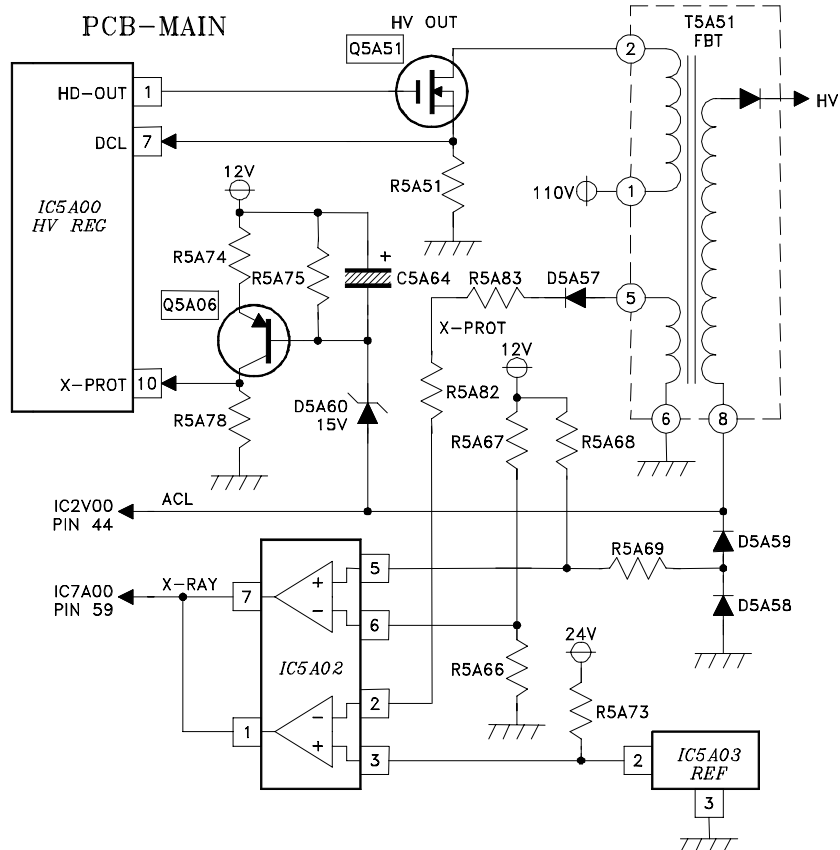
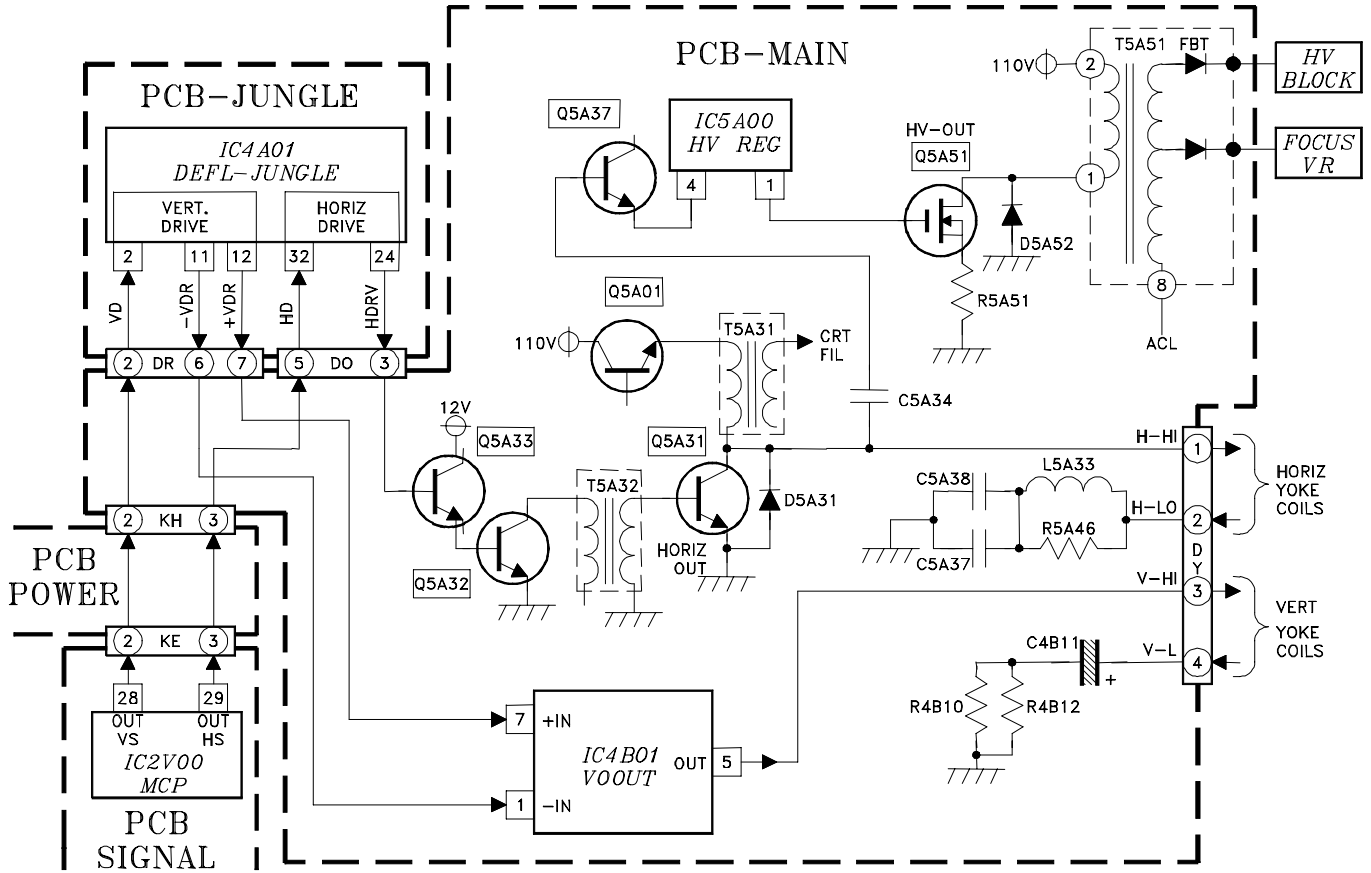




SYNC PATH

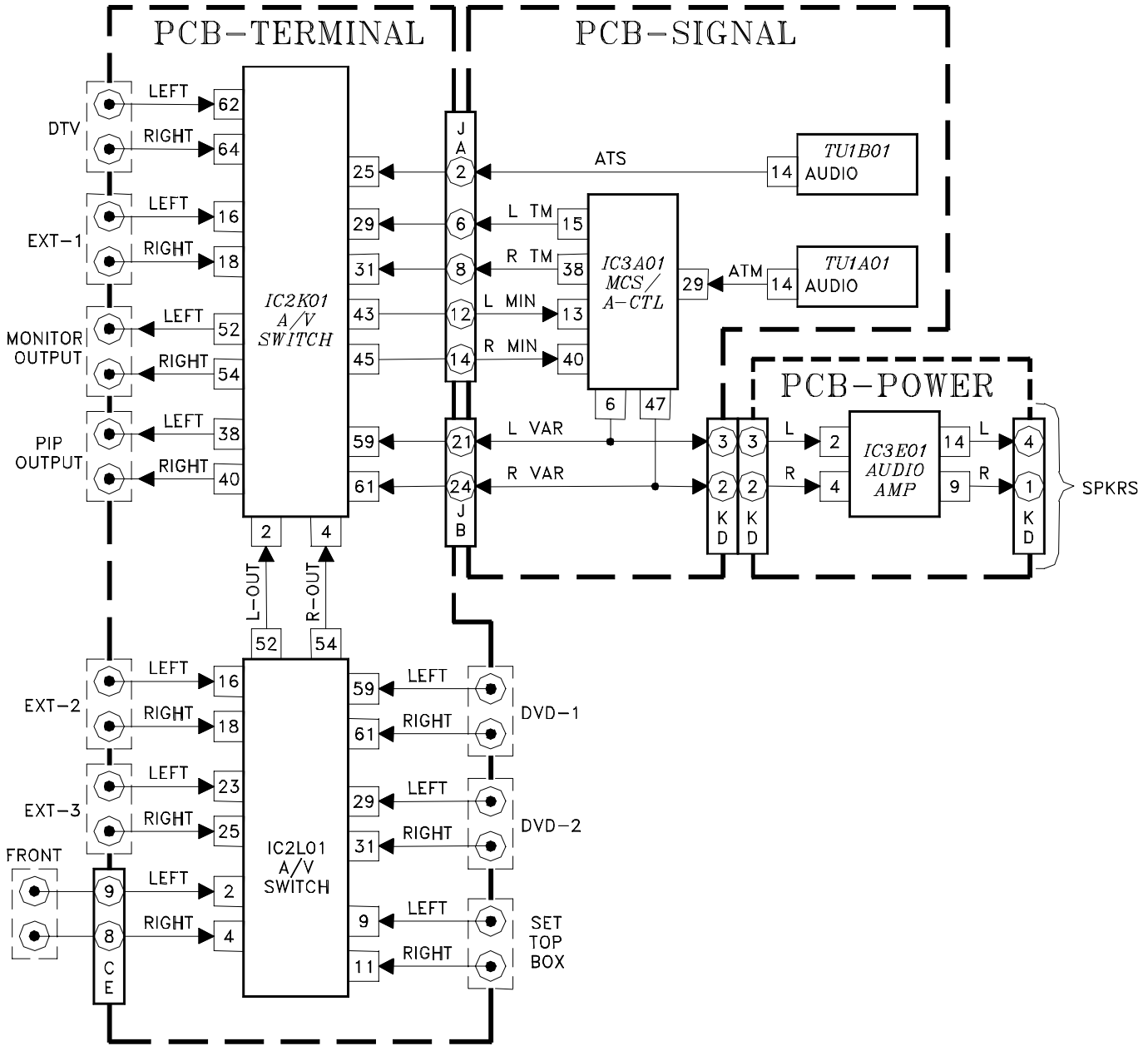


DEFLECTION CIRCUIT

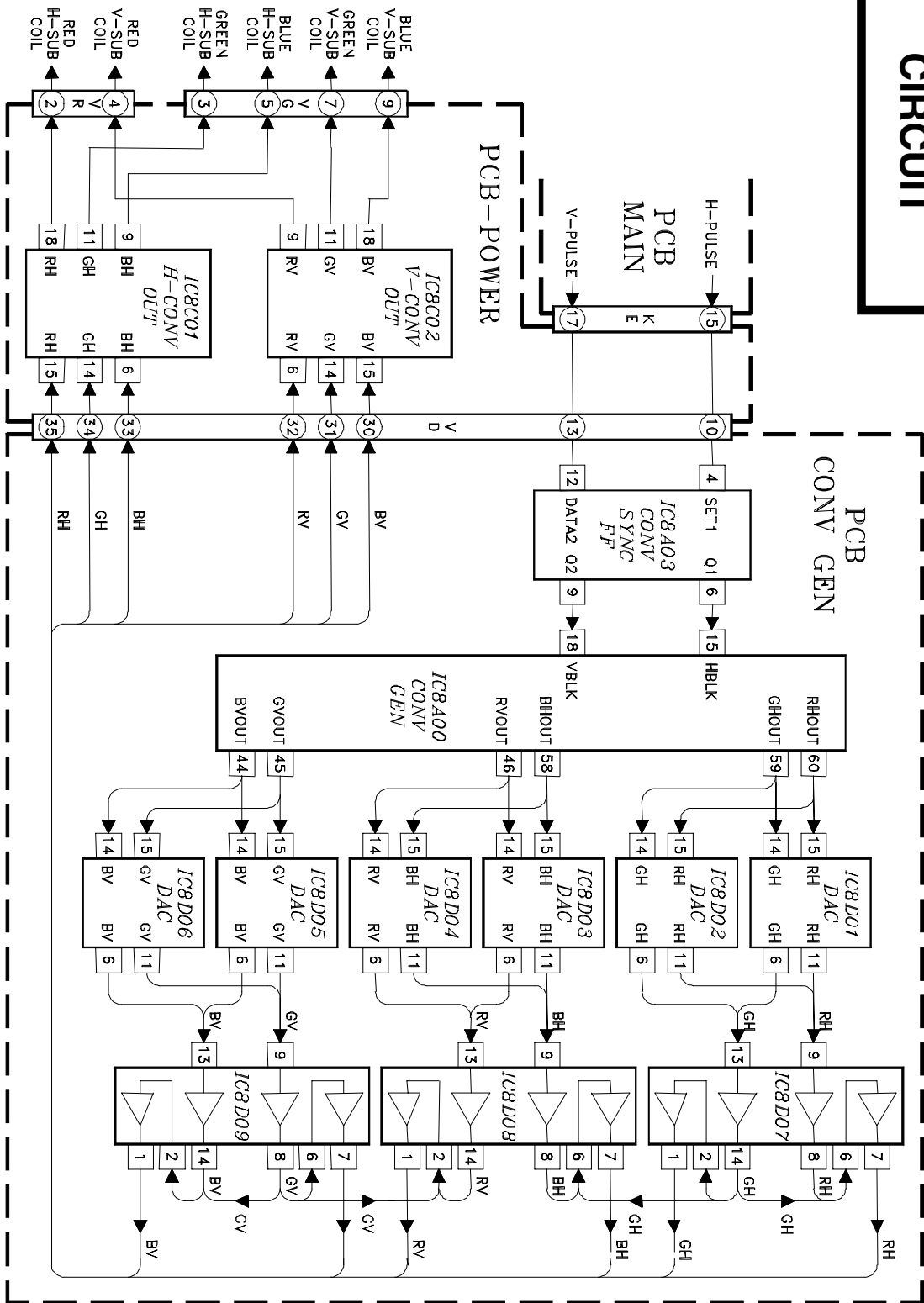


**X-RAY
PROTECT**

SOUND CIRCUIT



CONVERGENCE CIRCUIT



CONTROL CIRCUIT

