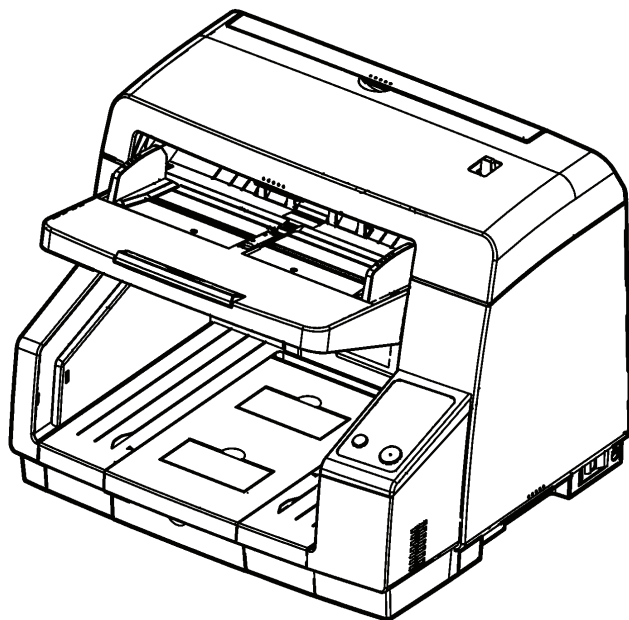


# Service Manual

High Speed Color Scanner

Model No. **KV-S5055C**



**⚠ WARNING**


This service information is designed for experienced repair technicians only and is not designed for use by the general public. It does not contain warnings or cautions to advise non-technical individuals of potential dangers in attempting to service a product. Products powered by electricity should be serviced or repaired only by experienced professional technicians. Any attempt to service or repair the product or products dealt with in this service information by anyone else could result in serious injury or death.

**Panasonic**<sup>®</sup>

© Panasonic System Networks Co., Ltd. 2010  
Unauthorized copying and distribution is a violation  
of law.

# 14 PARTS LOCATION AND MECHANICAL PARTS LIST

## IMPORTANT SAFETY NOTICE

Components identified by  mark have special characteristics important for safety. When replacing any of these components use only manufacturer's specified parts.

**Note: RTL (Retention Time Limited)**

The "RTL" marking indicates that its Retention Time is Limited.

When production is discontinued, this item will continue to be available only for a specific period of time. This period of time depends on the type of item, and the local laws governing parts and product retention. At the end of this period, the item will no longer be available.

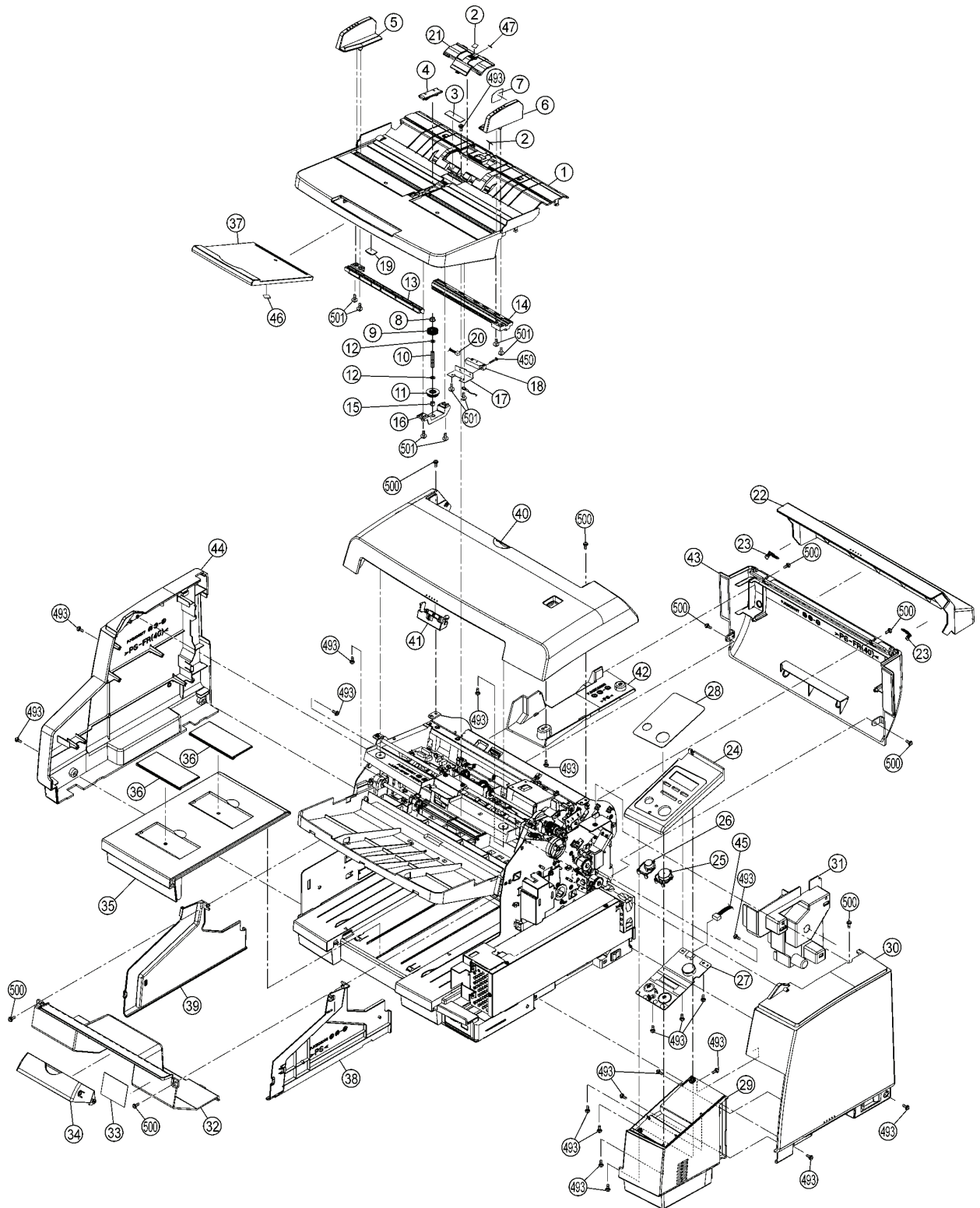
**Note: TSCA (Toxic Substance Control Act)**

The marking (TSCA) in the Remark column indicates that the part shown in the column consist of the substance which are included in TSCA inventory.

**Note: PbF (Pb Free)**

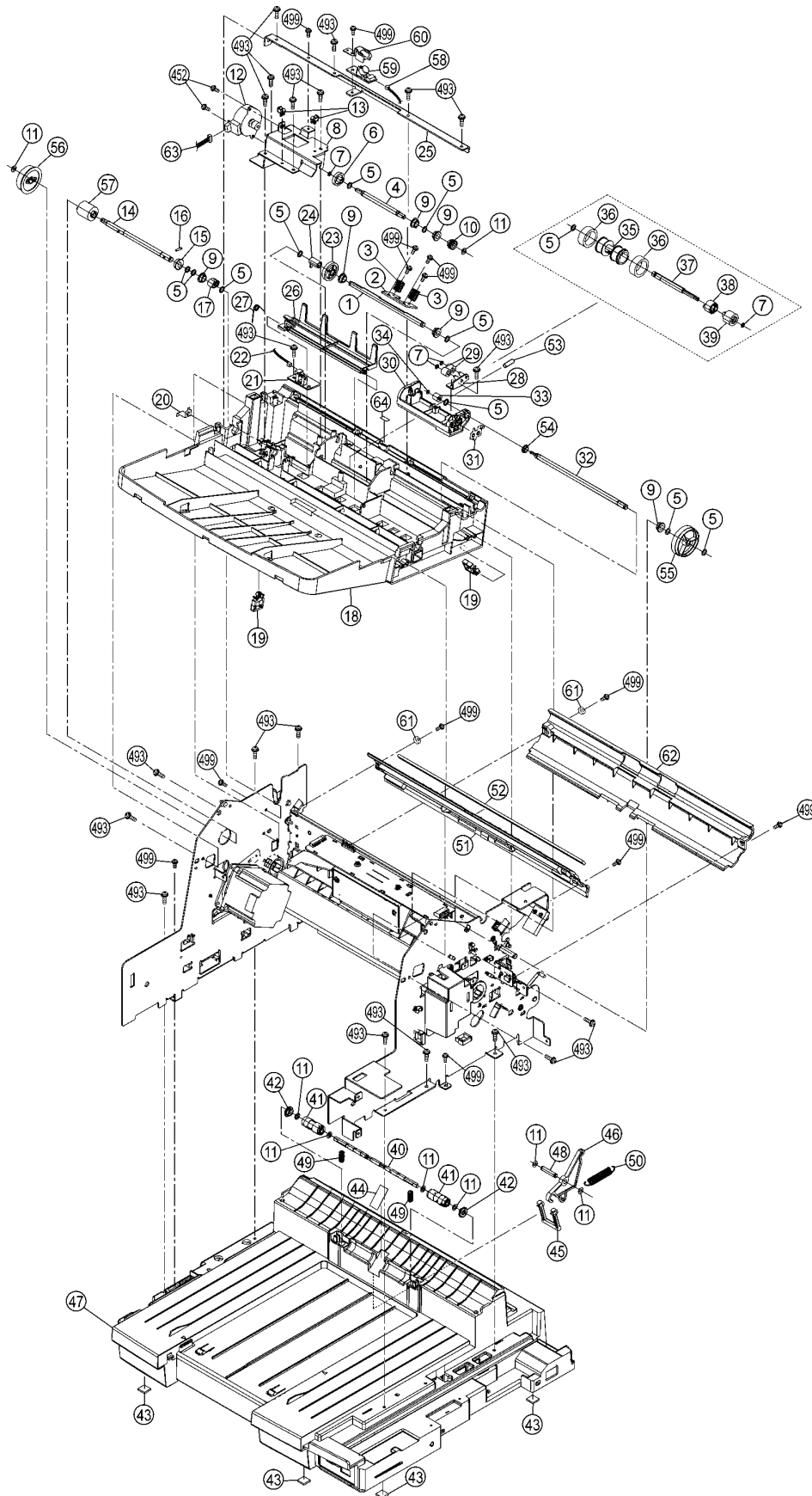
"PbF" in the Remark column means Pb Free solder is used to assembly part on the PCB assembly.

## 14.1. Exterior



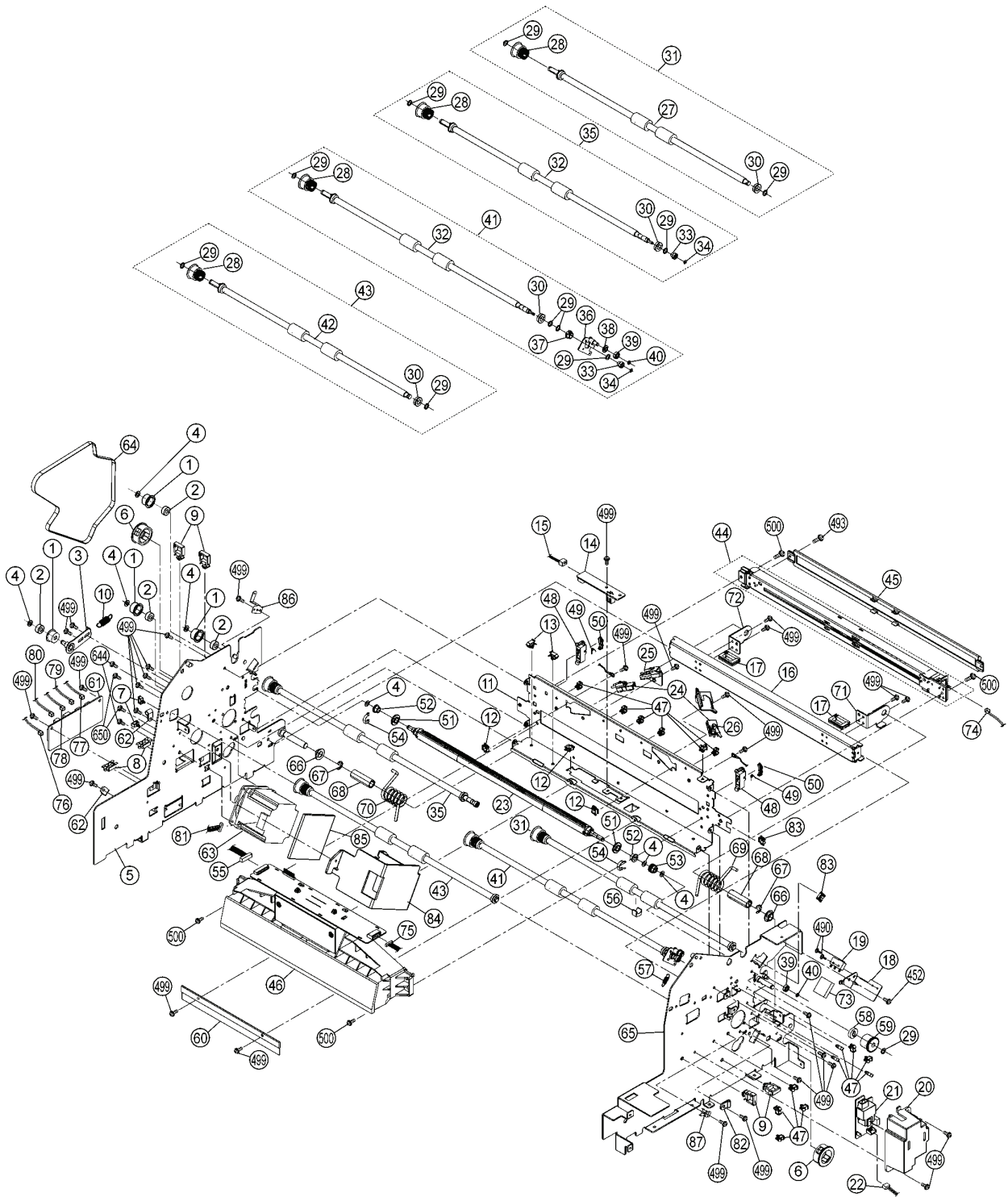
Safety	Ref. No.	Part No.	Part Name & Description	Remarks
	1	PJKNC0047Z	Hopper	ISO:ABS
	2	PJHEC0289Z	Reflector Sheet 1 (for Paper Sensor)	ISO:PC
	3	PBHEA0049Z	Document Fixing Pad 2	
	4	PJBDC0002Z	Document Guide Selector	ISO:POM
	5	PJHRC0553Z	Document Guide L	ISO:ABS
	6	PJHRC0554Z	Document Guide R	ISO:ABS
	7	PJQTC0267Z	Upper limit Label	
	8	PJDJ05041RZ	Bearing (R5)	ISO:POM
	9	PJDGC0237Z	Guide Pinion 1	ISO:POM
	10	PJDFC0281Z	Guide Pin	
	11	PJDGC0238Z	Guide Pinion 2	ISO:POM
	12	PJNW4111Z	Spacer	ISO:PA6
	13	PJDEC0096Z	Guide Rack F	ISO:POM
	14	PJDEC0097Z	Guide Rack B	ISO:POM
	15	PJBVC0192Z	Guide Pin Spring	
	16	PJDJC0099Z	Support Bearing	ISO:POM
	17	PJULC0149Z	Paper Sensor Bracket	
	18	B3NZB0000012	Paper Sensor	
	19	K-103G-R	Clamp	
	20	PJJRC3518Z	USR Relay to Paper Sensor Cable	
	21	PJHRC0537Z	DFP Roller Cover	ISO:POM
	22	PJKMC0078Z	Imprinter Door	ISO:PS
	23	PJHRC0391Z	Rear Hook	ISO:POM
	24	PJKPC0097Z	Control Cover	ISO:PS
	25	PJBCC0075Z	SS Button (start/stop)	ISO:PS
	26	PJBCC0074Z	Continue Button (DFS)	ISO:PS
	27	PJWP0D361M	PANEL Board	RTL
	28	PJGFC2837Z	Control Sheet	ISO:PC
	29	PJYK0D360M	Right Front Cover	ISO:PS
	30	PJKMC0076Z	Right Cover	ISO:PS
	31	PJKEC0096Z	Blind Cover	ISO:PS
	32	PJKEC0094Z	Inner Cover C	ISO:PS
	33	PJQTC0266Z	Caution Label (Small Size)	
	34	PJHRC0561Z	Exit Sub Guide	ISO:ABS
	35	PJHRC0560Z	Extension Sub Tray	ISO:PS
	36	PBHRA0186Z-3	Exit Stopper	ISO:ABS
	37	PBKMA0049Z-1	Hopper Extension Tray	ISO:ABS
	38	PJKEC0093Z	Inner Cover R	ISO:PS
	39	PJKEC0092Z	Inner Cover L	ISO:PS
	40	PJKFC0006Z	Top Cover (ADF Door)	ISO:PS
	41	PJBCC0073Z	Front Release Button (ADF Door Release)	ISO:ABS
	42	PJKEC0095Z	Inner Cover T	ISO:PS
	43	PJKUC0007Z	Rear Cover	ISO:PS
	44	PJKMC0077Z	Left Cover	ISO:PS
	45	PJJRC3506Z	Control to Panel Cable	
	46	PJHGC0059Z	Stopper Rubber	
	47	PJHEC0290Z	Reflect Sheet 2	ISO:PC
	450	XTW3+14LFJ	Screw	
	493	XTW3+10PFJ	Screw	
	499	XTW3+6LFJ	Screw	
	500	XTW3+8LFJ	Screw	
	501	XTW3+8PFJ	Screw	

## 14.2. Main Chassis 1



Safety	Ref. No.	Part No.	Part Name & Description	Remarks
	1	PJDFC0322Z	DFP Press Shaft	
	2	PJUEC0456Z	DFP Press Plate	
	3	PJBVC0220Z	DFP Adjustment Spring	
	4	PJDFC0321Z	DFP Adjust Drive Shaft	
	5	PJNW525Z	Spacer	ISO:PA66
	6	PJDGC0088Z	Auc Gear	ISO:POM
	7	PJNW317Z	Poly Slider	ISO:PA6
	8	PJUEC0455Z	DFP Drive Bracket	
	9	PJDJ06061CZ	Bearing	
	10	PBDGA0061Z	Gear	ISO:POM
	11	PJNW4111Z	Spacer	ISO:PA6
△	12	L6HAYYYK0039	Stepping Motor (DFP Pressure Motor)	
	13	HC-6B	Mini Clamp	
	14	PJZF0D360M	Gate Drive Shaft	
	15	F-6X12ZZ(FKS)	Bearing	
	16	XPJ2C10VW	Parallel Pin	
	17	PBDGA0056Z	Hopper Powerful Cam	ISO:POM
	18	PJUAC0320Z	Hopper Base	
	19	LWS-3S-V0	Locking Wire Saddle	ISO:PA6
	20	PJBUC0156Z	Gate Shaft Earth Plate	
	21	PJWP0D36BM	DFP HOME SENSOR Board	RTL
	22	PJJRC3519Z	USR Relay to DFP Home Cable	
	23	PJDGC0286Z	Drive Gear Z45	ISO:POM
	24	PBHRA0023Z	Hopper Cam Shutter	ISO:ABS
	25	PJUEC0457Z	Reinforcement Plate	
	26	PJHRC0538Z	Gate	ISO:POM
	27	PJBVC0221Z	Gate Spring	
	28	PJUEC0464Z	DFP Drive Plate Assy.	
	29	PJDGC0290Z	DFP Idle Gear Z16	ISO:POM
	30	PJHRC0536Z	DFP Roller Support	ISO:POM
	31	PJBUC0157Z	DFP Earth Plate	
	32	PJDFC0319Z	DFP Drive Shaft	
	33	PJDGC0289Z	DFP Drive Gear Z14	ISO:POM
	34	PJNW212Z	Polyslider	
	35	PJDYC0021Z	Retard Roller Sleeve	ISO:POM
	36	PJDRC0185Z	DFP (Double-Feed Prevention) Roller	
	37	PJDFC0320Z	DFP Roller Shaft	
	38	0TLR6-500A	Torque Limiter	ISO:POM
	39	PJDGC0285Z	DFP Roller Gear Z28	ISO:POM
	40	PJDFC0340Z	Exit Roller Shaft	
	41	PJDRC0189Z	Exit Free Roller 1	ISO:POM
	42	PJDRC0190Z	Exit Free Roller 2	ISO:POM
	43	PJHGB0022Z	Rubber Foot	ISO:PET
	44	PJHEC0275Z	Reflector Sheet for Exit Sensor	ISO:PC
	45	PJHRC0551Z	Release Link 1	ISO:POM
	46	PJHRC0552Z	Release Link 2	ISO:POM
	47	PJUAC0322Z	Base (Exit Tray)	ISO:PS
	48	PJDFC0345Z	Link Shaft	
	49	PJDSB0171Z	Free Roller Spring 3	
	50	PJBVC0229Z	Release Spring	
	51	PJHRC0546Z	Conveyor 1	ISO:ABS
	52	PBHRA0150X	Ink Absolution Felt	
	53	PJBVC0219Z	DFP Spring	
	54	PJDJC0119Z	Bearing D6	
	55	PJDGC0284Z	Gear Z45	ISO:POM
	56	PJZG0D360M	Gate Drive Pulley	
	57	N-18-300	Torque Limiter	
	58	PJJRC3521Z	USR Relay to Ultra Sonic Receive Cable	
	59	PJWP0D366M	USR SENSOR Board	RTL
	60	PJMCC0120Z	Double Feed Detector Plate	
	61	PJDEB0024Z	Collar	
	62	PJHRC0547Z	Conveyor 2	ISO:ABS
	63	PJJRC3513Z	Drive to DFP Motor Cable	
	64	PJHEC0291Z	Reflector Sheet 3	ISO:PC
	452	XTB3+6FFJ	Screw	
	493	XTW3+10PFJ	Screw	
	499	XTW3+6LFJ	Screw	

### 14.3. Main Chassis 2

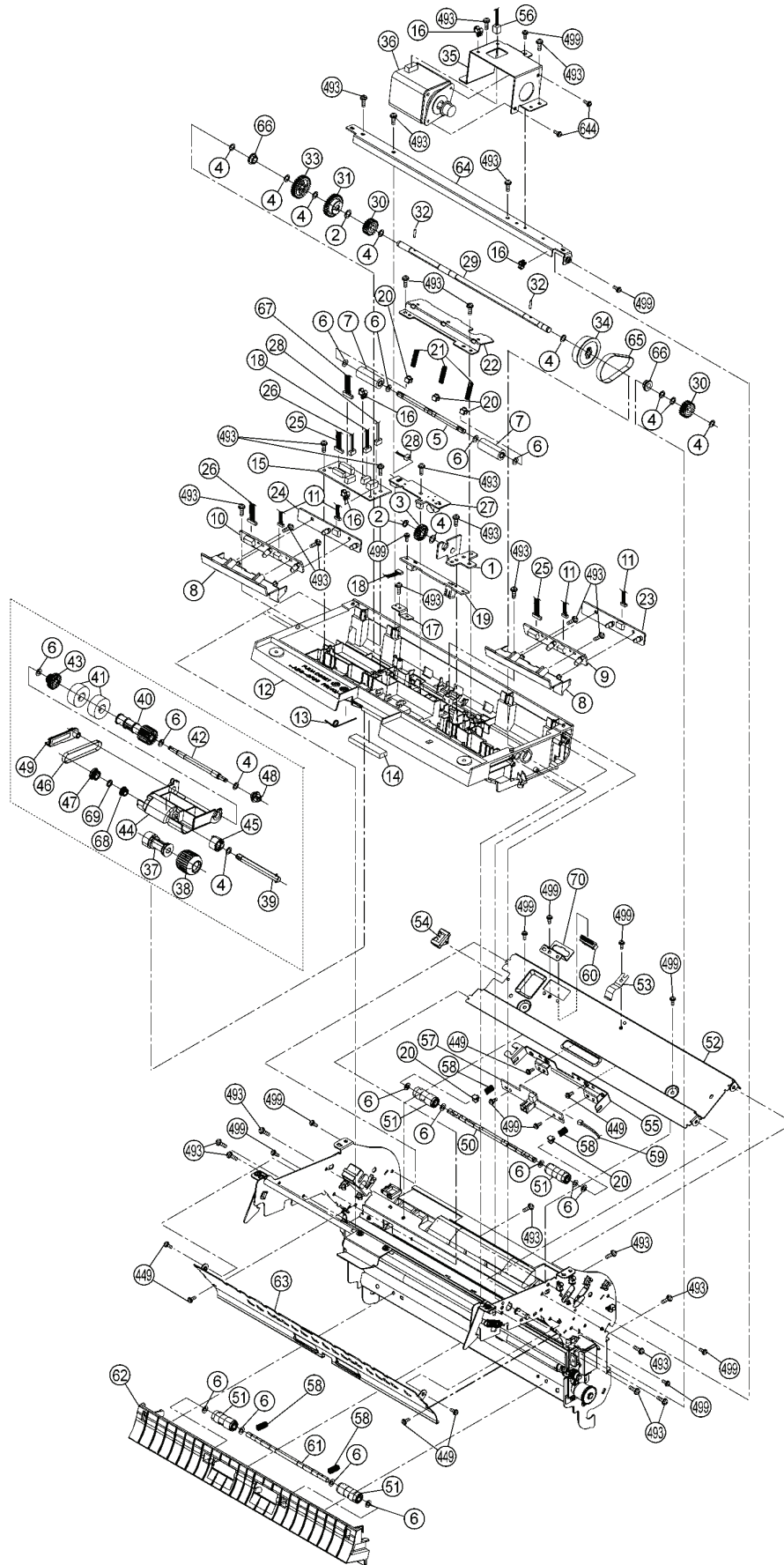


Safety	Ref. No.	Part No.	Part Name & Description	Remarks
	1	PJHRB0532Z	Tension Roller	ISO:POM
	2	685ZZ(FKS)	Bearing	
	3	PJULC0117Z	Tension Plate Assy.	
	4	PJNW4111Z	Spacer	ISO:PA6
	5	PJUAC0325Z	Main Chassis L Assy.	
	6	TB-1926	Bush	
	7	LAMS-05	Locking Mini Clamp	ISO:PA66
	8	EDS-3	Edge Saddle	
	9	LWS-3S-V0	Locking Wire Saddle	ISO:PA6
	10	PJBVC0180Z	Tension Spring 2	
	11	PJUJC0466Z	Reinforcement Plate	
	12	EDS-0607M	Edge Saddle	ISO:PA66
	13	YMC10-0-V0	Mini Clamp Side Slot	ISO:PA6
	14	PJWP0D368M	ENDING SENSOR Board	RTL
	15	PJJRC3520Z	USR Relay to Ending Sensor Cable	
	16	PJUJC0467Z	Reinforcement Plate 2	
	17	EDS-17L	Lock Edge Saddle	ISO:PA66
	18	PJUIC0476Z	Sensor Holding Plate	
△	19	K0KABF000018	Micro Switch	
	20	PJHRC0565Z	Ionizer Board Holder (Upper)	ISO:PS
△	21	MPH4129A	Ionizer Board	Non-Repairable
	22	PJJRC3509Z	Control to Ionizer Power Cable	
	23	PJZR0D360M	Reference Plate (F)	
△	24	MHM008-50	Ionizer (Ion Outlet)	
	25	PJHRC0567Z	Ionizer Holder L	
	26	PJHRC0575Z	Ionizer Holder R	
	27	PJZR0D361M	Drive Roller 1	
	28	PJUDB0001Z	Pulley Gear	ISO:POM
	29	PJNW525Z	Spacer	ISO:PA66
	30	B-F6-171	Bearing	
	31	PJZR0D362M	Drive Roller 1 Assy.	
	32	PJZR0D363M	Drive Roller 2 (3)	
	33	PJDGC0294Z	Gear Z14	ISO:POM
	34	PJNW212Z	Polyslider	
	35	PJZR0D364M	Drive Roller 2 Assy.	
	36	PJULC0109Z	Planet Plate 2 Assy.	
	37	PJDJC0116Z	Bearing	ISO:POM
	38	PJHRC0544Z	Pitch Roller	ISO:POM
	39	PJDGC0293Z	Idle Gear Z16M0.5	ISO:POM
	40	PJNW317Z	Poly Slider	ISO:PA6
	41	PJZR0D365M	Drive Roller 3 Assy.	
	42	PJZR0D366M	Exit Roller	
	43	PJZR0D367M	Exit Roller Assy.	
	44	PJWJ0D360M	Light Guide Unit Assy. (B)	
	45	PJZE0D360M	Scanning Glass (B)	
	46	PJWU0D360M	Optical Unit Complete (B)	
	47	HC-6B	Mini Clamp	
	48	PJHRC0543Z	Stopper Holder	ISO:POM
	49	PJBXC0018Z	Stopper Spring	
	50	PJHRC0542Z	Stopper	ISO:POM
	51	PJHRC0541Z	Gap Roller	ISO:POM
	52	PJDJC0120Z	Bearing D5	
	53	PBDGA0061Z	Gear	ISO:POM
	54	PJBVC0225Z	Platen Spring	
	55	PJJRC3526Z	CCD(B) Junction to CCD(B)	
	56	PJDJC0118Z	Support Bearing	ISO:POM
	57	PJBVC0226Z	Platen Connect Spring	
	58	PJDGC0291Z	Gear Z26M0.5	ISO:POM
	59	PJDEC0106Z	Torque limiter	
	60	PBMEA0010Y	Discharge Brush	
	61	PJWP0D367M	USR RELAY Board	RTL
	62	EMT-4N	Noise Grounding Clamp	
△	63	L6HBYBYB0003	Stepping Motor (Conveyor Motor)	
	64	PJDVC0106Z	Drive Belt	
	65	PJUAC0327Z	Main Chassis R Assy.	
	66	PJDJC0121Z	Bearing D8	
	67	XUC6FJ	Retaining Rings E Type	
	68	PJHRC0562Z	Collar	ISO:ABS
	69	PJBWC0074Z	Damper Spring R	
	70	PJBWC0073Z	Damper Spring L	
	71	PJULC0118Z	Supporting Plate R	
	72	PJULC0111Z	Supporting Plate L	



Safety	Ref. No.	Part No.	Part Name & Description	Remarks
	73	PJJRC3514Z	Drive to Interlock SW Cable	
	74	PJJRC3516Z	Drive to LED(Back) Junction Cable	
	75	PJJRC3503Z	Control to CCD LVDS(Back) Cable	
	76	PJJRC3508Z	Control to USR Relay Cable	
	77	PJJRC3521Z	USR Relay to Ultra Sonic Receive Cable	
	78	PJJRC3520Z	USR Relay to Ending Sensor Cable	
	79	PJJRC3519Z	USR Relay to DFP Home Cable	
	80	PJJRC3518Z	USR Relay to Paper Sensor Cable	
	81	PJJRC3512Z	Drive to Conveyor Motor Cable	
	82	EMT-2N	Noise Grounding Clamp	
	83	EDS-0607U	Edge Saddle	ISO:PA66
	84	PJMYC0046Z	Heat Sink (for Conveyor Motor)	
	85	PJMYC0047Z	Conveyor Motor Sheet	
	86	PJULC0150Z	Earth Conveyor Plate	
	87	PJULC0151Z	Earth Motor Harness	
	452	XTB3+6FFJ	Screw	
	490	XTW23+10LFJ	Screw	
	493	XTW3+10PFJ	Screw	
	499	XTW3+6LFJ	Screw	
	500	XTW3+8LFJ	Screw	
	644	XYN3+J6FJ	Screw	
	650	XYC3+FJ10FJ	Screw	

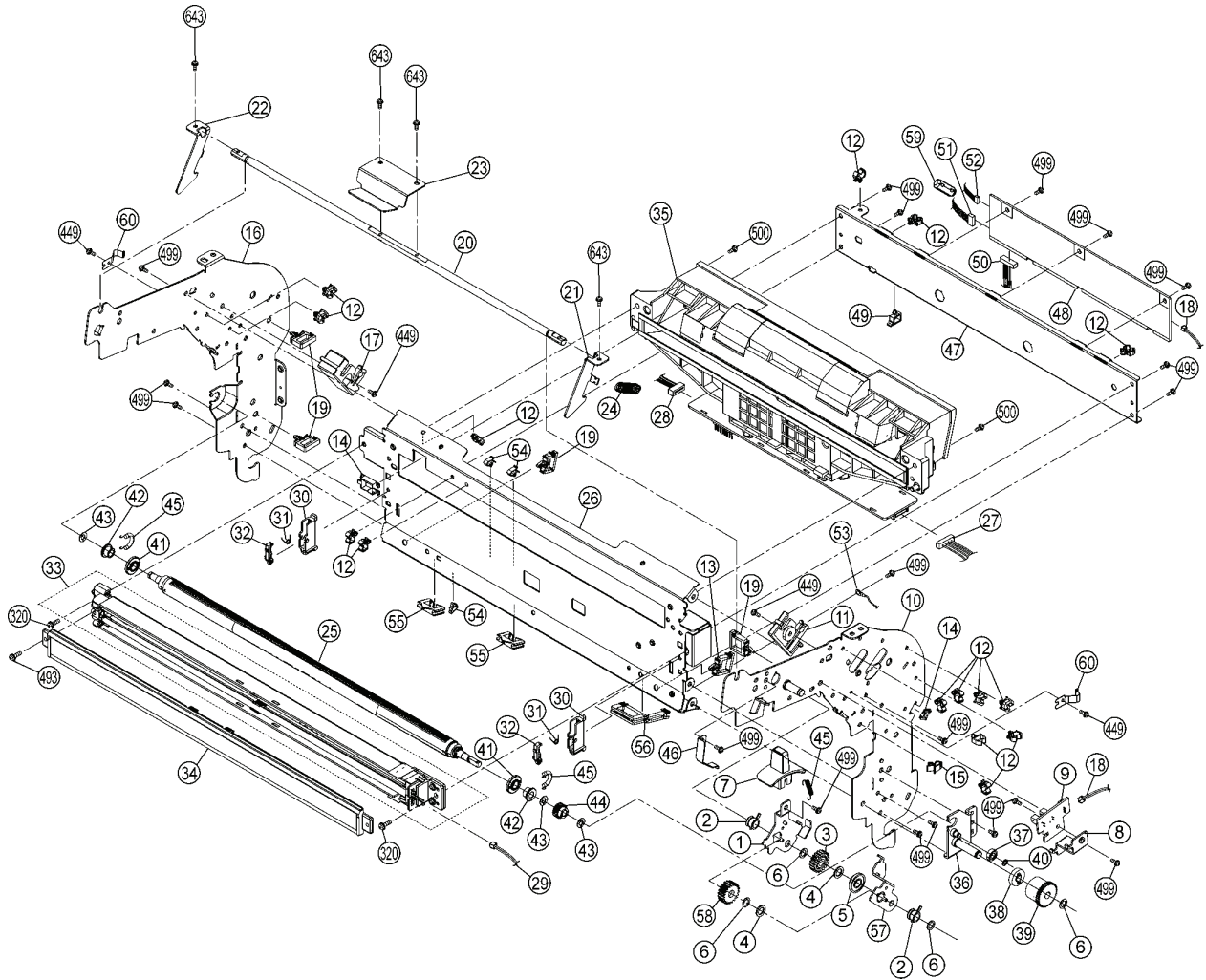
# 14.4. Sub Chassis 1



Safety	Ref. No.	Part No.	Part Name & Description	Remarks
	1	PJULC0107Z	Idle Plate Assy.	
	2	PJNW620Z	Washer	ISO:PA66
	3	PBDGA0018Z	Idle Gear 3	ISO:POM
	4	PJNW525Z	Spacer	ISO:PA66
	5	PJDFC0324Z	Free Roller Shaft 1	
	6	PJNW4111Z	Spacer	ISO:PA6
	7	PBDRA0029Z	Free Roller	ISO:POM
	8	PJHRC0362Z	Bent Paper Sensor Cover	ISO:ABS
	9	PJWPD036FM	BENT PAPER SENSOR R(R) Board	RTL
	10	PJWPD036GM	BENT PAPER SENSOR R(L) Board	RTL
	11	PJJRC3529Z	Bent Sensor to Bent Sensor(T) Cable	
	12	PJUAC0321Z	Feed Chassis	
	13	PJBXC0019Z	Balancer Spring	
	14	PJHEC0265Z	Feed unit Damper sheet	
	15	PJWPD036CM	BENT RELAY Board	RTL
	16	HC-6B	Mini Clamp	
	17	PJUEC0460Z	Pcb Bracket L	
	18	PJJRC3525Z	Bent Relay to Imprinter Start Cable	
	19	PJWPD036AM	SLIP DETECT SENSOR Board	RTL
	20	PJDJA0016Z	Pressure Roller Bearing	ISO:POM
	21	PJBVC0222Z	Free Roller Spring 1	
	22	PJUEC0458Z	Free Roller Plate	
	23	PJWPD036HM	BENT PAPER SENSOR S(R) Board	RTL
	24	PJWPD036EM	BENT PAPER SENSOR S(L) Board	RTL
	25	PJJRC3528Z	Bent Relay to Bent Paper RR Cable	
	26	PJJRC3527Z	Bent Relay to Bent Paper RL Cable	
	27	PJWPD0365M	USS / WAITING SENSOR Board	RTL
	28	PJJRC3522Z	Bent Relay to WAIT USS Cable	
	29	PJDFC0327Z	Feed Drive Shaft	
	30	PJDGC0166Z	Feed Gear	ISO:POM
	31	PJDGC0288Z	Oneway Gear Z30	
	32	XPJ2C10VW	Parallel Pin	
	33	PJDGC0287Z	Drive Gear Z30	ISO:POM
	34	PJDAC0023Z	Pulley T50	ISO:POM
	35	PJMMC0003Z	Feed Motor Bracket	
⚠	36	L6HBYYC0006	Stepping Motor (Paper Feed Motor)	
	37	PJHRC0535Z	Paper Feed Roller Sleeve	
	38	PJDRC0184Z	Paper Feed Roller	
	39	PJZF0D361M	Paper Feed Roller Shaft	
	40	PJHRC0539Z	Separation Roller Sleeve	ISO:POM
	41	PJDRC0183Z	Separation Roller	
	42	PJDFC0325Z	Separation Roller Shaft	
	43	PJDAC0024Z	Idle Pulley Gear T16/Z20	ISO:POM
	44	PJHRC0540Z	Pick Up Roller Holder	ISO:POM
	45	0TLR6-500A	Torque Limiter	ISO:POM
	46	PJDVC0108Z	Pick Up Belt	
	47	PJDAC0025Z	Pulley T17	ISO:POM
	48	PJDJC0117Z	Feed Unit Fulcrum	ISO:POM
	49	PJDJC0115Z	Feed Unit Lock Lever	ISO:POM
	50	PJDFC0342Z	Free Roller 2 Shaft	
	51	PJDRC0189Z	Exit Free Roller 1	ISO:POM
	52	PJUEC0470Z	Sub Reinforcement Plate	
	53	PJULC0119Z	Earth Plate	
	54	EDS-1208U	Edge Saddle	ISO:PA66
	55	PJUEC0472Z	Free Roller Holder	
	56	PJJRC3511Z	Drive to Feed Motor Cable	
	57	PJWPD0369M	STARTING SENSOR Board	RTL
	58	PJBVC0227Z	Free Roller Spring 1	
	59	PJJRC3524Z	USS Relay to Starting Cable	
	60	PJJRC3507Z	Control to Imprinter Cable	
	61	PJDFC0343Z	Free Roller 3 Shaft Center	
	62	PJHRC0548Z	Sub Exit Conveyor	ISO:ABS
	63	PJUEC0468Z	Sub Conveyor Plate	
	64	PJUEC0459Z	Reinforcement Plate 2	
	65	PJDVC0107Z	Feed Belt	
	66	PJDJ06061CZ	Bearing	
	67	PJJRC3530Z	USS Relay to Bent Relay Cable	
	68	PJDJC0119Z	Bearing D6	
	69	PJNW610Z	Washer	ISO:PA66
	70	PJUDC0092Z	Imprinter Connector Holder	
	449	XTB3+6FFJ-RP	Screw	
	493	XTW3+10PFJ	Screw	

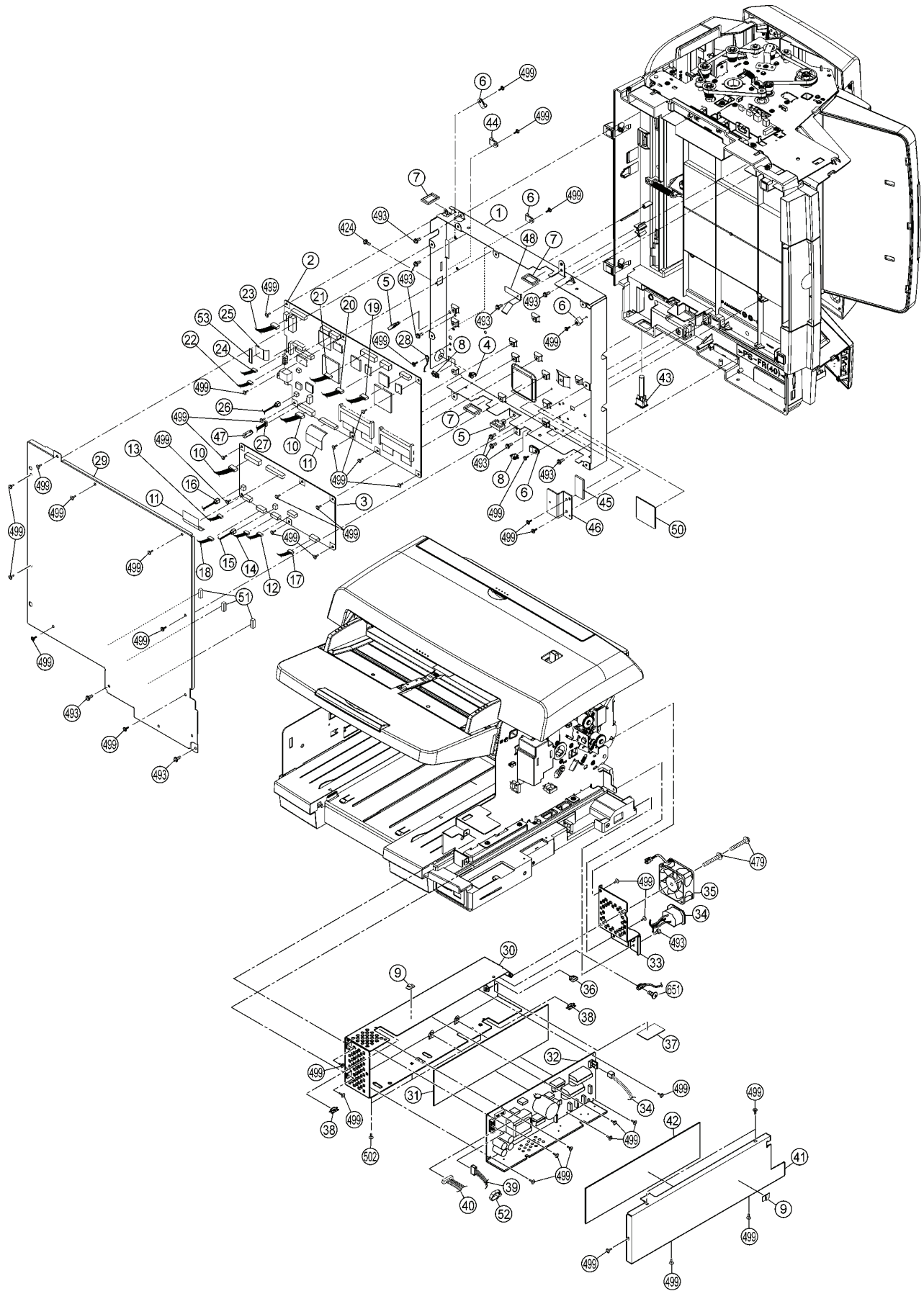
Safety	Ref. No.	Part No.	Part Name & Description	Remarks
	499	XTW3+6LFJ	Screw	
	644	XYN3+J6FJ	Screw	

## 14.5. Sub Chassis 2



Safety	Ref. No.	Part No.	Part Name & Description	Remarks
	1	PJUJC0463Z	DFP Planet Plate	
	2	PJDJC0116Z	Bearing	ISO:POM
	3	PBDGA0018Z	Idle Gear 3	ISO:POM
	4	RWPS6-100	Polyslider	ISO:PA6
	5	PJHRB0530Z	Paper Feed Pitch Roller	ISO:POM
	6	PJNW525Z	Spacer	ISO:PA66
	7	PJBCC0072Z	Manual SW (Manual Feed Selector)	ISO:PS
	8	PJUJC0461Z	Manual Sensor Bracket	
	9	PJWP0D36DM	PAPER FEED SELECT SENSOR Board	RTL
	10	PJUAC0329Z	Sub Chassis R Assy.	
	11	PJHRC0549Z	Imprinter Holder R	ISO:POM
	12	HC-6B	Mini Clamp	
	13	LWS-3S-V0	Locking Wire Saddle	ISO:PA6
	14	EDS-1	Edge Saddle	ISO:PA66
	15	YMC10-0-V0	Mini Clamp Side-Slot	ISO:PA6
	16	PJUAC0331Z	Sub Chassis L	
	17	PJHRC0550Z	Imprinter Holder L	ISO:POM
	18	PJJRC3523Z	USS Relay to Manual Feed Cable	
	19	LWS-1S	Locking Wire Saddle	ISO:PA66
	20	PJDFC0341Z	Lock Shaft	
	21	PJULC0113Z	Hook R	
	22	PJULC0114Z	Hook L	
	23	PJULC0115Z	Lock Plate	
	24	PJBVC0230Z	Lock Lever Spring	
	25	PJZR0D368M	Reference Plate (B)	
	26	PJUJC0469Z	Sub Center Plate	
	27	PJJRC3502Z	Control to CCD Lvds(Front) Cable	
	28	PJJRC3504Z	Control to CCD Power(Front) Cable	
	29	PJJRC3515Z	Drive to LED(Front) Junction Cable	
	30	PJHRC0543Z	Stopper Holder	ISO:POM
	31	PJBXC0018Z	Stopper Spring	
	32	PJHRC0542Z	Stopper	ISO:POM
	33	PJWJ0D361M	Light Guide Unit Assy. (F)	
	34	PJZE0D361M	Scanning Glass (F)	
	35	PJWU0D361M	Optical Unit Complete(F)	
	36	PJUJC0476Z	Right Support Plate Assy.	
	37	PJDGC0293Z	Idle Gear Z16M0.5	ISO:POM
	38	PJDGC0291Z	Gear Z26M0.5	ISO:POM
	39	PJDEC0106Z	Torque Limiter	
	40	PJNW317Z	Poly Slider	ISO:PA6
	41	PJHRC0541Z	Gap Roller	ISO:POM
	42	PJDJC0120Z	Bearing D5	
	43	PJNW4111Z	Spacer	ISO:PA6
	44	PBDGA0061Z	Gear	ISO:POM
	45	PJBVC0225Z	Platen Spring	
	46	PJBUC0158Z	Manual SW Sp	
	47	PJULC0112Z	Relay USS Plate	
	48	PJWP0D364M	USS RELAY Board	RTL
	49	LAMS-05	Locking Mini Clamp	ISO:PA66
	50	PJJEC3479Z	Control to USS Relay FFC Cable	
	51	PJJRC3530Z	USS Relay to Bent Relay Cable	
	52	PJJRC3524Z	USS Relay to Starting Cable	
	53	PJJTC0036Z	FG Cable (Sub to Main)	
	54	YMC-15-0-V0	Mini Clamp Side-Slot	ISO:PA6
	55	EDS-1208U	Edge Saddle	ISO:PA66
	56	EDS-17L	Lock Edge Saddle	ISO:PA66
	57	PJUJC0496Z	DFP Sub Planet Plate Assy.	
	58	PJDGC0166Z	Feed Gear	ISO:POM
	59	J0KG00000013	Ferrite Core	
	60	PJBUC0163Z	Emi Earth Plate Upper	
	320	RTP3+8(3)BC	Screw	
	449	XTB3+6FFJ-RP	Screw	
	493	XTW3+10PFJ	Screw	
	499	XTW3+6LFJ	Screw	
	500	XTW3+8LFJ	Screw	
	643	XYN3+F6FJ	Screw	

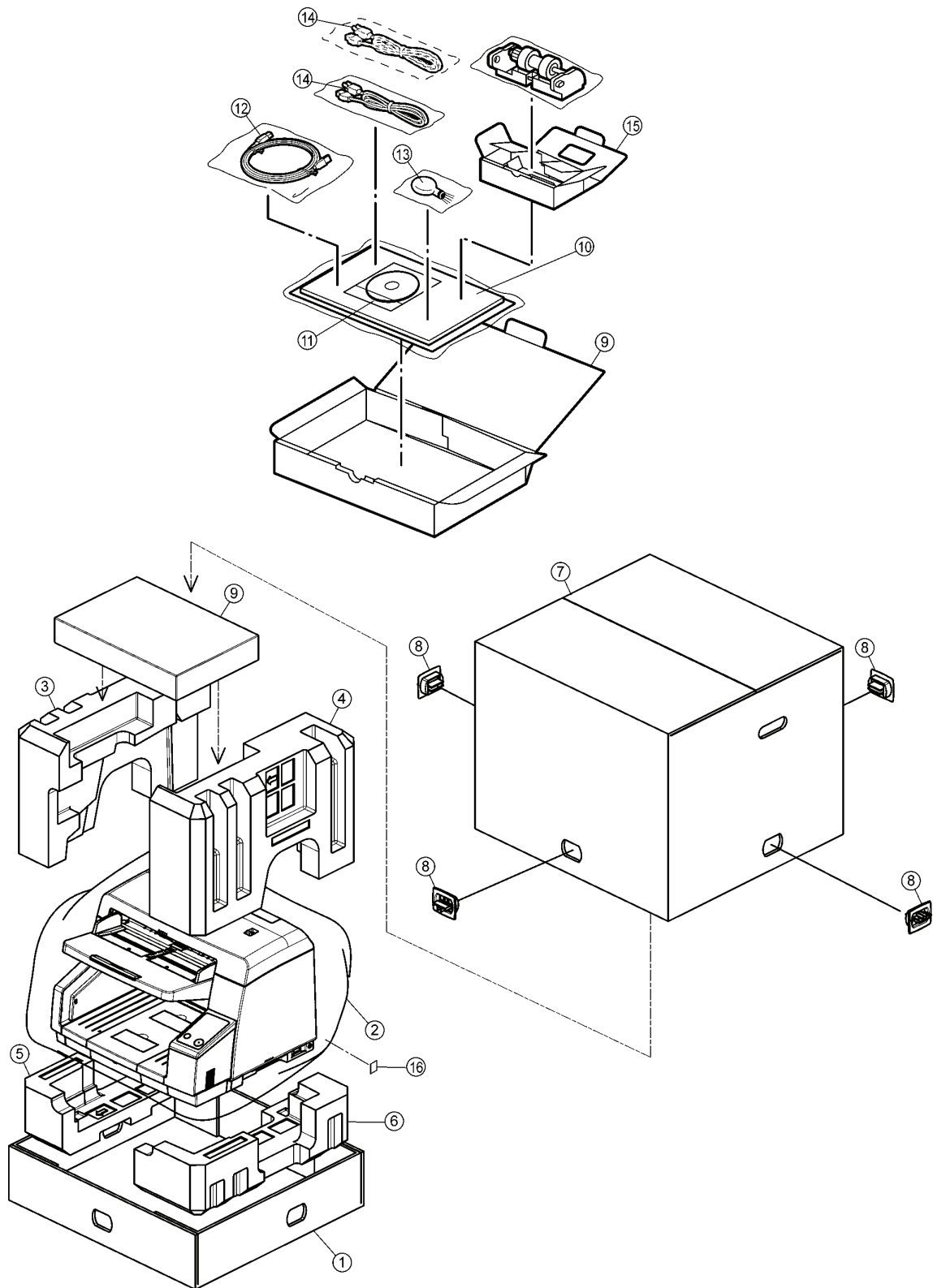
# 14.6. Board Box



Safety	Ref. No.	Part No.	Part Name & Description	Remarks
	1	PJUJC0473Z	Board Fitting Plate	
	2	PJWP0D360M	CONTROL Board	RTL
	3	PJWP0D362M	DRIVE Board	RTL
	4	HC-6B	Mini Clamp	
	5	LWS-1S	Locking Wire Saddle	ISO:PA66
	6	EMT-2N	Noise Grounding Clamp	
	7	EDS-17L	Lock Edge Saddle	ISO:PA66
	8	EDS-1	Edge Saddle	ISO:PA66
	9	K-103G-R	Clamp	
	10	PJJRC3165Z	Main Drive Power Cable	
	11	PJJEC3478Z	Control to Drive FFC Cable	
	12	PJJRC3532Z	Drive to Power Junction Cable	
	13	PJJRC3511Z	Drive to Feed Motor Cable	
	14	PJJRC3512Z	Drive to Conveyor Motor Cable	
	15	PJJRC3514Z	Drive to Interlock SW Cable	
	16	PJJRC3515Z	Drive to LED(Front) Junction Cable	
	17	PJJRC3516Z	Drive to LED(Back) Junction Cable	
	18	PJJRC3513Z	Drive to DFP Motor Cable	
	19	PJJRC3508Z	Control to USR Relay Cable	
	20	PJJRC3503Z	Control to CCD LVDS(Back) Cable	
	21	PJJRC3505Z	Control to CCD Power(Back) Cable	
	22	PJJRC3502Z	Control to CCD LVDS(Front) Cable	
	23	PJJRC3504Z	Control to CCD Power(Front) Cable	
	24	PJJRC3507Z	Control to Imprinter Cable	
	25	PJJEC3479Z	Control to USS Relay FFC Cable	
	26	PJJRC3509Z	Control to Ionizer Power Cable	
	27	PJJRC3506Z	Control to Panel Cable	
	28	PJJTC0036Z	FG Cable (Sub to Main)	
	29	PJJRC0095Z	Cover Plate	
	30	PJMBC0090X	Power Box Assy.	
	31	PJHXB0018Z	Power Sheet	ISO:PS+PPE
⚠	32	PJWP0D363M	POWER Board	RTL
	33	PJUJC0474Z	Fan Fitting Plate	
⚠	34	PJJRC3539Z	AC Inlet Cable	
⚠	35	L6FAKEDK0011	DC Motor FAN	
	36	LWS1SV0BK	Locking Wire Saddle	ISO:PA66
	37	PJHEC0197Z	Heat Protect Sheet	
	38	EDS-1208UV0	Edge Saddle	ISO:PA66
	39	PJJRC3510Z	Power to Power Junction Cable	
	40	PJJRC3538Z	Power to FAN Cable	
	41	PJMBC0096Y	Power Box Cover	
	42	PJHXC0002Z	Power Sheet T	ISO:PS+PPE
⚠	43	PJJRC3517Z	AC Switch Cable	
	44	EMT-4N	Noise Grounding Clamp	
	45	PJHEC0287Z	Silicone Sheet	
	46	PJMYC0045Z	Heat Sink (for Drive Board)	
	47	J0KG00000055	Filter	
	48	PJBUC0162Z	Emi Plate Spring	
	50	PJHXB0005Z	Insulating Sheet	
	51	PJMCC0149Z	Soft Gasket	
	52	T50R-V0	Bundling Straps	
	53	J0KD00000040	Ferrite Core	
	424	XSN3+6FJ	Screw	
	479	XTW3+30LFJ	Screw	
	493	XTW3+10PFJ	Screw	
	499	XTW3+6LFJ	Screw	
	502	XTW3+8SFJ	Screw	
	651	XYN4+F6FJ	Screw	

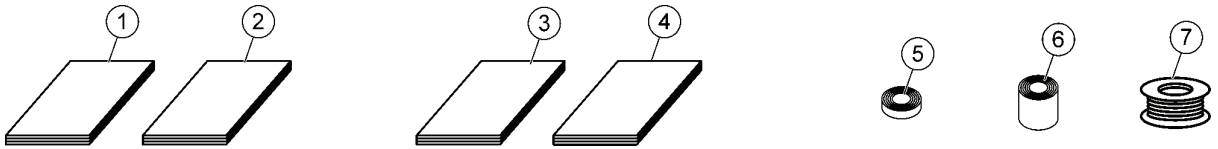


## 14.7. Packing



Safety	Ref. No.	Part No.	Part Name & Description	Remarks
	1	PJPGC1239Z	Bottom Carton	
	2	PJPPB0018Z	Plastic Bag	ISO:PE-LD
	3	PJPNC0282Z	Left Top Cushion except for KV-S5055C-K	ISO:EPS
	3	PJYE0D360K	Left Top Cushion for KV-S5055C-K	ISO:EPS
	4	PJPNC0283Z	Right Top Cushion except for KV-S5055C-K	ISO:EPS
	4	PJYE0D361K	Right Top Cushion for KV-S5055C-K	ISO:EPS
	5	PJPNC0284Z	Left Bottom Cushion except for KV-S5055C-K	ISO:EPS
	5	PJYE0D362K	Left Bottom Cushion for KV-S5055C-K	ISO:EPS
	6	PJPNC0285Z	Right Bottom Cushion except for KV-S5055C-K	ISO:EPS
	6	PJYE0D363K	Right Bottom Cushion for KV-S5055C-K	ISO:EPS
	7	PJPGC1238Z	Carton Box for KV-S5055C/-B/-K/-T	
	7	PJPGC1256Z	Carton Box for KV-S5055C-CN/-J	
	7	PJYC0D360U	Carton Box for KV-S5055C-U	
	8	HP-601W2-S	Joint	ISO:PP
	9	PJPKB0139Z	Accessory Box	
	10	PJQXC0324Z	Installation Manual for KV-S5055C/-B/-U/-J	
	10	PJQXC0325Z	Installation Manual for KV-S5055C-K	
	10	PJQXC0326Z	Installation Manual for KV-S5055C-CN	
	10	PJQXC0327Z	Installation Manual for KV-S5055C-T	
	11	PJJXC0580Z	Driver CD-ROM (A) except for KV-S5055C-CN	
	11	PJJXC0581Z	Driver CD-ROM (A) for KV-S5055C-CN	
	12	K1HY04YY0002	USB Cable	
	13	PJIUA0001Z	Blower Brush	
⚠	14	K2CG3YY00063	Power Cord for KV-S5055C/-J	
⚠	14	K2CM3DH00012	Power Cord for KV-S5055C-U	
⚠	14	K2CT3DH00024	Power Cord for KV-S5055C-U	
⚠	14	K2CM3YY00003	Power Cord for KV-S5055C-K	
⚠	14	K2CK3DH00033	Power Cord for KV-S5055C-CN	
⚠	14	K2CG3DH00045	Power Cord for KV-S5055C-T	
⚠	14	K2CS3YY00008	Power Cord for KV-S5055C-B	
	15	PJPNC0286Z	DFP Roller Pad	
	16	PJQAC0886Z	Separation Discharge Label for KV-S5055C-K	

## 14.8. TOOL



Safety	Ref. No.	Part No.	Part Name & Description	Remarks
	1	PBQX90095Z-J	Test Chart A (A4) (10 Pieces)	
	2	PJQXC0330Z-J	Shading Sheet (10 Pieces)	
	3	PBQX90104Z-J	Test Chart A (10 Pieces)	
	4	PBQX90105Z-J	Test Chart B (10 Pieces)	
	5	T4E30725-2	Polyester Tape (19mm)	
	6	T4E307100	Polyester Tape (100mm)	
	7	RMA02M705-08	Eco Solder	