

WARRANTY INFORMATION

5 YEAR LIMITED WARRANTY

Sunbeam Products, Inc. doing business as Jarden Consumer Solutions or if in Canada, Sunbeam Corporation (Canada) Limited doing business as Jarden Consumer Solutions (collectively "JCS") warrants that for a period of five years from the date of purchase, this product will be free from defects in material and workmanship. JCS, at its option, will repair or replace this product or any component of the product found to be defective during the warranty period.

Replacement will be made with a new or remanufactured product or component. If the product is no longer available, replacement may be made with a similar product of equal or greater value. This is your exclusive warranty. Do NOT attempt to repair or adjust any electrical or mechanical functions on this product. Doing so will void this warranty.

This warranty is valid for the original retail purchaser from the date of initial retail purchase and is not transferable. Keep the original sales receipt. Proof of purchase is required to obtain warranty performance. JCS dealers, service centers, or retail stores selling JCS products do not have the right to alter, modify or any way change the terms and conditions of this warranty.

This warranty does not cover normal wear of parts or damage resulting from any of the following: negligent use or misuse of the product, use on improper voltage or current, use contrary to the operating instructions, disassembly, repair or alteration by anyone other than JCS or an authorized JCS service center. Further, the warranty does not cover: Acts of God, such as fire, flood, hurricanes and tornadoes.

What are the limits on JCS's Liability?

JCS shall not be liable for any incidental or consequential damages caused by the breach of any express, implied or statutory warranty or condition.

Except to the extent prohibited by applicable law, any implied warranty or condition of merchantability or fitness for a particular purpose is limited in duration to the duration of the above warranty.

JCS disclaims all other warranties, conditions or representations, express, implied, statutory or otherwise.

JCS shall not be liable for any damages of any kind resulting from the purchase, use or misuse of, or inability to use the product including incidental, special, consequential or similar damages or loss of profits, or for any breach of contract, fundamental or otherwise, or for any claim brought against purchaser by any other party.

Some provinces, states or jurisdictions do not allow the exclusion or limitation of incidental or consequential damages or limitations on how long an implied warranty lasts, so the above limitations or exclusion may not apply to you.

This warranty gives you specific legal rights, and you may also have other rights that vary from province to province, state to state or jurisdiction to jurisdiction.

How to Obtain Warranty Service

In the U.S.A.

If you have any question regarding this warranty or would like to obtain warranty service, please call 1-800-333-1930 and a convenient service center address will be provided to you.

In Canada

If you have any question regarding this warranty or would like to obtain warranty service, please call 1-800-333-1930 and a convenient service center address will be provided to you.

WARRANTY INFORMATION

In the U.S.A., this warranty is offered by Sunbeam Products, Inc. doing business as Jarden Consumer Solutions located in Boca Raton, Florida 33431. In Canada, this warranty is offered by Sunbeam Corporation (Canada) Limited doing business as Jarden Consumer Solutions, located at 20 B Hereford Street, Brampton, Ontario L6Y 0M1. If you have any other problem or claim in connection with this product, please write our Consumer Service Department. **PLEASE DO NOT RETURN THIS PRODUCT TO ANY OF THESE ADDRESSES OR TO THE PLACE OF PURCHASE.**

© 2009 Sunbeam Products, Inc. doing business as Jarden Consumer Solutions. All Rights Reserved.
Distributed by Sunbeam Products, Inc. doing business as Jarden Consumer Solutions, Boca Raton, Florida 33431.

134611/9100020009991

PUH68009EM1

Printed In China

PATTAN®

Owner's Guide

PUH680



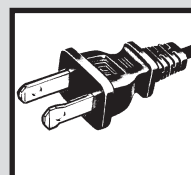
1500 Watt Utility Heater

PLEASE READ AND SAVE THESE IMPORTANT INSTRUCTIONS

PLEASE READ AND SAVE THESE IMPORTANT SAFETY INSTRUCTIONS

When using electrical appliances, basic safety precautions should always be followed to reduce the risk of fire, electric shock, and injury to persons, including the following:

1. Read all instructions before using the appliance.
2. To avoid fire or shock hazard, plug the appliance directly into a 120V AC electrical outlet.
3. The heater is hot when in use. To avoid burns, DO NOT let bare skin touch hot surfaces. If provided, use handles when moving this heater. Keep combustible materials, such as furniture, pillows, bedding, papers, clothes, and curtains at least 3 ft (0.9 m) from the front of the heater and keep them away from the sides and rear.
4. DO NOT run cord under carpeting. DO NOT cover cord with throw rugs, runners, or the like. Arrange cord away from traffic area and where it will not be tripped over.
5. This heater is not intended for use in bathrooms, laundry areas and similar indoor location. NEVER locate heater where it may fall into a bathtub or other water container.
6. Extreme caution is necessary when any heater is used by, or near children or invalids, and whenever the heater is left operating and unattended.
7. Always unplug the heater when not in use.
8. When unplugging, be sure to pull by the plug and not the cord.
9. DO NOT insert or allow foreign objects to enter any ventilation or exhaust opening as this may cause an electric shock or fire, or damage the heater.
10. DO NOT operate heater with a damaged cord or plug, or after the heater malfunctions, has been dropped or damaged in any manner. Return appliance to manufacturer for examination, electrical or mechanical adjustment, or repair.



THIS APPLIANCE HAS A POLARIZED PLUG (one blade is wider than the other). To reduce the risk of electric shock, this plug is intended to fit in a polarized outlet only one way. If the plug does not fit fully in the outlet, reverse the plug. If it still does not fit, contact a qualified electrician to install the proper outlet.

DO NOT ATTEMPT TO MODIFY THIS PLUG OR DEFEAT THIS SAFETY FEATURE IN ANY WAY.

11. A heater has hot and arcing or sparking parts inside. DO NOT use it in areas where gasoline, paint, or flammable liquids are used or stored.
12. Use appliance only for intended household use as described in this manual. Any other use not recommended by the manufacturer may cause fire, electric shock, or injury to persons. The use of attachments not recommended or sold by the manufacturer may cause hazards.
13. DO NOT use outdoors.
14. To prevent a possible fire, DO NOT block air intakes or exhaust in any manner. DO NOT use on soft surfaces, like a bed, where openings may become blocked.
15. To disconnect heater, turn controls to OFF, then remove plug from outlet.
16. Avoid the use of an extension cord because the extension cord may overheat and cause a risk of fire. However, if you have to use an extension cord, the cord shall be No. 14 AWG minimum size and rated not less than 1875 watts.
17. If the heater will not operate, see specific instructions on Auto Safety Shut-off.
18. DO NOT attempt to repair or adjust any electrical or mechanical functions on this unit. Doing so will void your warranty. The inside of the unit contains no user serviceable parts. All servicing should be performed by qualified personnel only.
19. Discontinue use if plug or outlet is hot. It is recommended that the outlet be replaced if plug or outlet is hot to touch.

PLEASE READ AND SAVE THESE IMPORTANT SAFETY INSTRUCTIONS

FEATURES - OPERATIONS

TECHNICAL SPECIFICATIONS

- Amps: 12.5
- Wattage: 1500W (+5% -10%)
- Working voltage: 120V AC/60Hz

ASSEMBLY INSTRUCTIONS

Carefully remove your heater and all parts from the box. Ensure all parts are in the package. It is recommended save carton for off-season storage.

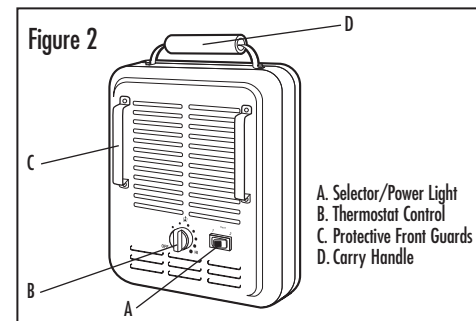
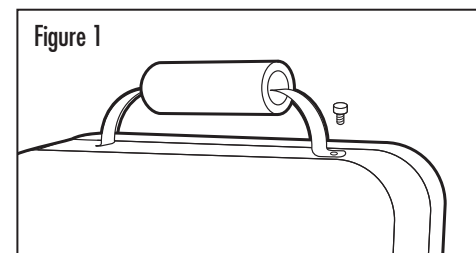
This package includes:

- 1 - Heater
- 1 - Carry Handle
- 2 - Screws

Handle Assembly:

1. Place the heater in upright position.
2. Use the provided screws to attach the carry handle on top of the heater housing (See Figure 1).
3. Use screw driver to tighten the screws firmly. Please ensure that screws are not overtightened.

NOTE: THIS UNIT IS FOR FLOOR USE ONLY.



OPERATING INSTRUCTIONS

1. Place heater on firm level surface.
2. Avoid overloading your circuit by not using other high wattage appliances in the same outlet. At 1500 Watts, this unit draws 12.5 Amps.

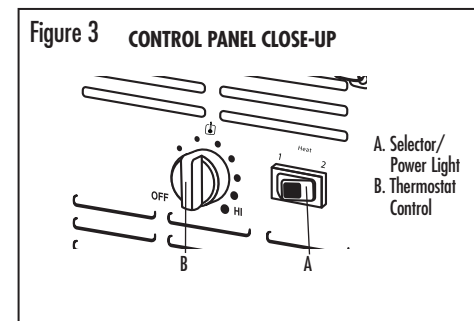
Mode Settings

1. To start the heater operation, turn the Thermostat Control clockwise all the way to the highest.
2. Switch the Selector to your desired heat settings:
 - 1 - Low Heat**
The heater will run continuously at 1350W.
 - 2 - High Heat**
The heater will run continuously at 1500W.
3. The Power Light will remain lit during operation.

Thermostat Control

1. You need to turn the Thermostat Control clockwise to the highest position to start heater. Allow heater to operate and warm up the room.
2. When the desired temperature/comfort level is reached, lower the temperature setting by turning the Thermostat Control counter-clockwise until the heater stops operating.
3. The thermostat will now automatically maintain the pre-set temperature level by turning the heater ON and OFF.

NOTE: It is normal for the heater to cycle ON and OFF as it maintains the preset temperature. To prevent the unit from cycling, you need to raise the temperature setting.



CLEANING / MAINTENANCE TROUBLESHOOTING

CLEANING/MAINTENANCE

Always unplug the heater before cleaning and allow the heater to cool down.

1. Clean the unit with a soft cloth moistened with a mild soap and water solution.
2. NEVER use abrasive or flammable solvents to clean the unit.
3. After cleaning, be sure to completely dry the unit with a cloth or towel.
4. Store heater in a cool, dry location.
5. It is recommended that you store the unit in its original carton.

AUTO SAFETY SHUT-OFF WITH INSTANT TIP-OVER PROTECTION

This heater is equipped with a Total Safety System with tip-over protection that will shut-off the heater in an overheat situation.

Tip-over Shut-off:

When the unit is accidentally knocked over, it will shut off. To reset, simply place the heater in an upright position on a level surface.

Overheat Shut-off:

When a potential overheat temperature is reached, the system will automatically shut the heater off. Make sure heater is clear of all obstructions. It can only resume operation when the user resets the unit.

To Reset the Heater:

1. Unplug the heater and wait 30 minutes for the unit to cool down.
2. After the 30 minutes, plug the unit in again and operate normally.
3. Place heater on firm level surface.

TROUBLESHOOTING

If your heater fails to operate:

- Make sure the electrical outlet or circuit breaker is working.
- Check for obstructions. If you find an obstruction turn the heater OFF, and UNPLUG THE UNIT. Carefully remove the obstruction and follow the reset instructions.
- The thermostat might be set too low. Turn the Thermostat Control clockwise until the heater restarts.
- Make sure the Selector is in Low (1) or High (2) setting.

Please DO NOT attempt to open or repair the heater.

If you have any questions regarding your product or would like to learn more about other Patton® products, please contact our Consumer Service Department at 1-800-333-1930 or visit our website at www.pattonproducts.com.