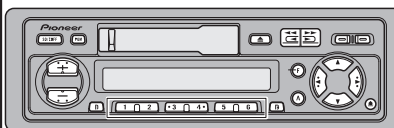


# Service Manual

Pioneer

KEH-P2800/X1M/UC



ORDER NO.  
**CRT2268**

MULTI-CD CONTROL HIGH POWER CASSETTE PLAYER WITH FM/AM TUNER

# KEH-P2800

## KEH-P3850

X1M/ES

X1M/UC

### NOTE:

- See the separate manual CX-644(CRT1800) for the cassette mechanism description.
- The cassette mechanism assy employed in this model is one of 2M series.
- This service manual does not describe the CD test mode.

For the operations in the CD test mode, refer to the CD player's Service Manual.

## CONTENTS

1. SAFETY INFORMATION .....	2	7. GENERAL INFORMATION.....	34
2. EXPLODED VIEWS AND PARTS LIST .....	2	7.1 PARTS .....	34
3. SCHEMATIC DIAGRAM.....	8	7.1.1 IC.....	34
4. PCB CONNECTION DIAGRAM.....	18	7.1.2 DISPLAY .....	38
5. ELECTRICAL PARTS LIST.....	26	7.2 DISASSEMBLY .....	39
6. ADJUSTMENT .....	32	7.3 BLOCK DIAGRAM .....	40
		8. OPERATIONS AND SPECIFICATIONS.....	41

**PIONEER ELECTRONIC CORPORATION** 4-1, Meguro 1-Chome, Meguro-ku, Tokyo 153-8654, Japan  
**PIONEER ELECTRONICS SERVICE INC.** P.O.Box 1760, Long Beach, CA 90801-1760 U.S.A.  
**PIONEER ELECTRONIC [EUROPE] N.V.** Haven 1087 Keetberglaan 1, 9120 Melsele, Belgium  
**PIONEER ELECTRONICS ASIACENTRE PTE.LTD.** 253 Alexandra Road, #04-01, Singapore 159936

# 1. SAFETY INFORMATION

## CAUTION

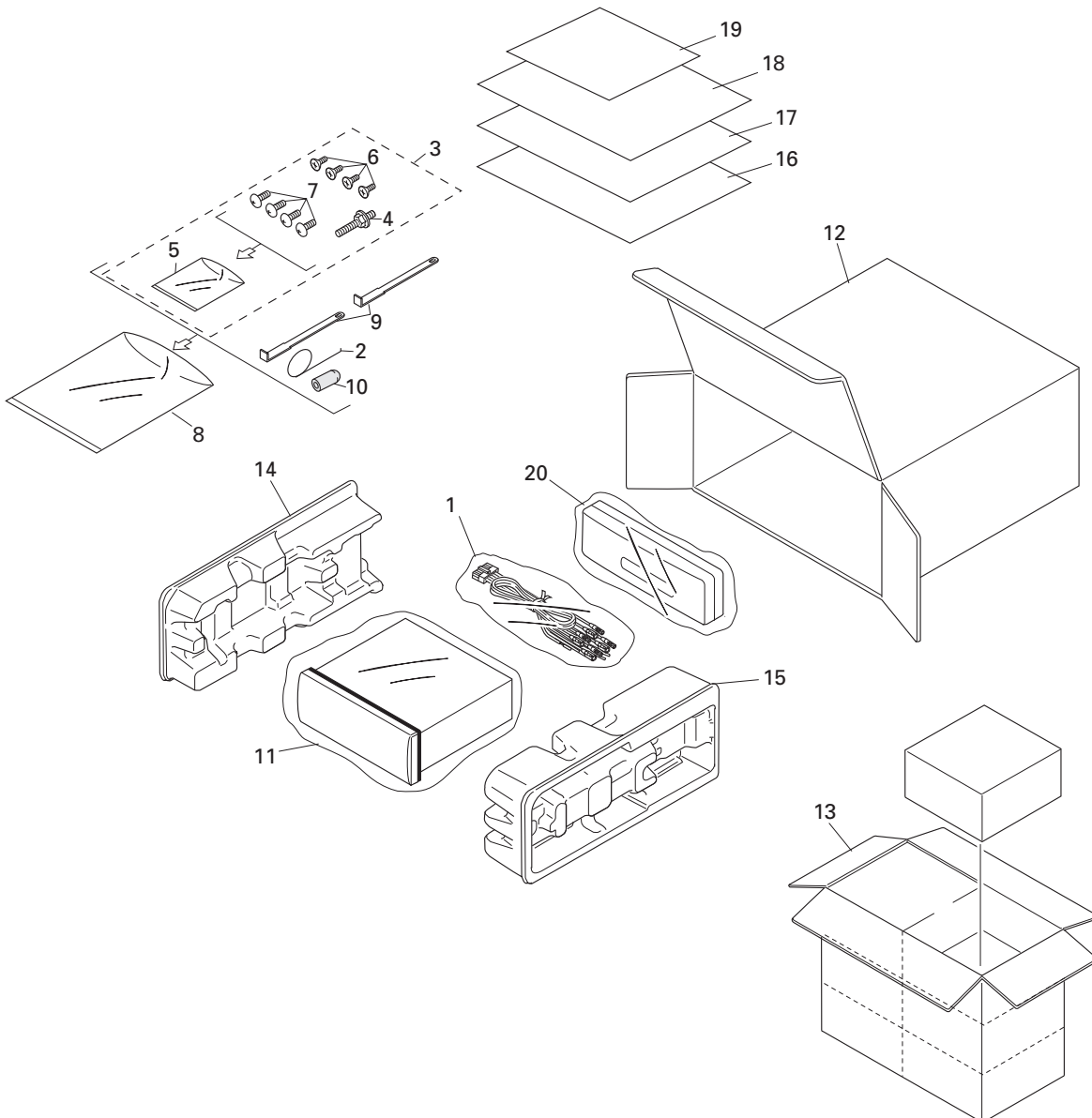
This service manual is intended for qualified service technicians; it is not meant for the casual do-it-yourselfer. Qualified technicians have the necessary test equipment and tools, and have been trained to properly and safely repair complex products such as those covered by this manual. Improperly performed repairs can adversely affect the safety and reliability of the product and may void the warranty. If you are not qualified to perform the repair of this product properly and safely; you should not risk trying to do so and refer the repair to a qualified service technician.

## WARNING

This product contains lead in solder and certain electrical parts contain chemicals which are known to the state of California to cause cancer, birth defects or other reproductive harm. Health & Safety Code Section 25249.6 - Proposition 65

# 2. EXPLODED VIEWS AND PARTS LIST

## 2.1 PACKING



**NOTE:**

- Parts marked by "\*" are generally unavailable because they are not in our Master Spare Parts List.
- Screws adjacent to ∇ mark on the product are used for disassembly.

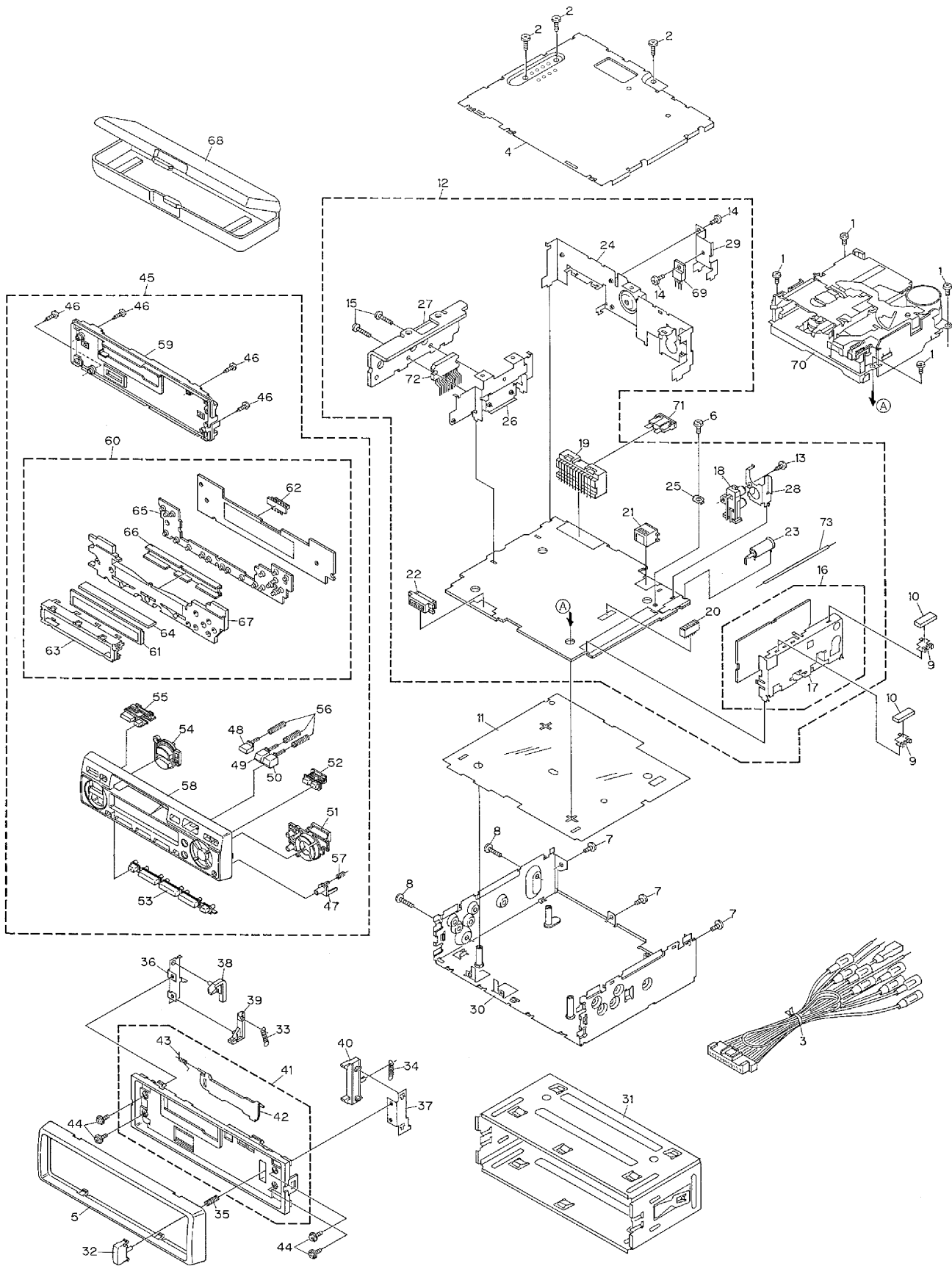
**● PACKING SECTION PARTS LIST**

Mark No.	Description	Part.No	
		KEH-P2800/X1M/UC	KEH-P3850/X1M/ES
	1 Cord Assy	CDE5805	CDE5805
	2 Spring	CBH1650	CBH1650
	3 Screw Assy	CEA2351	CEA2351
	4 Screw	CBA1304	CBA1304
*	5 Polyethylene Bag	CEG-127	CEG-127
	6 Screw(x4)	CRZ50P090FMC	CRZ50P090FMC
	7 Screw(x4)	TRZ50P080FMC	TRZ50P080FMC
*	8 Polyethylene Bag	CEG-158	CEG-158
	9 Handle(x2)	CNC5395	CNC5395
	10 Bush	CNV3930	CNV3930
	11 Polyethylene Bag	CEG1173	CEG-162
	12 Carton	CHG3598	CHG3599
	13 Contain Box	CHL3598	CHL3599
	14 Protector	CHP1622	CHP1622
	15 Protector	CHP1623	CHP1623
	16 Owner's Manual	CRD2804	CRD2801
	17 Owner's Manual	Not used	CRD2802
	18 Installation Manual	CRD2805	CRD2803
*	19 Card	ARY1048	Not used
	20 Case Assy	CXB3520	CXB3520

**● Owner's Manual, Installation Manual**

Model	Part No.	Language
KEH-P2800/X1M/UC	CRD2804	English,French,Spanish
	CRD2805	English,French,Spanish
KEH-P3850/X1M/ES	CRD2801	English,Spanish,Portuguese(B)
	CRD2802	Chinese,Arabic
	CRD2803	English,Spanish,Portuguese(B),Chinese,Arabic

## 2.2 EXTERIOR



**(1) EXTERIOR SECTION PARTS LIST**

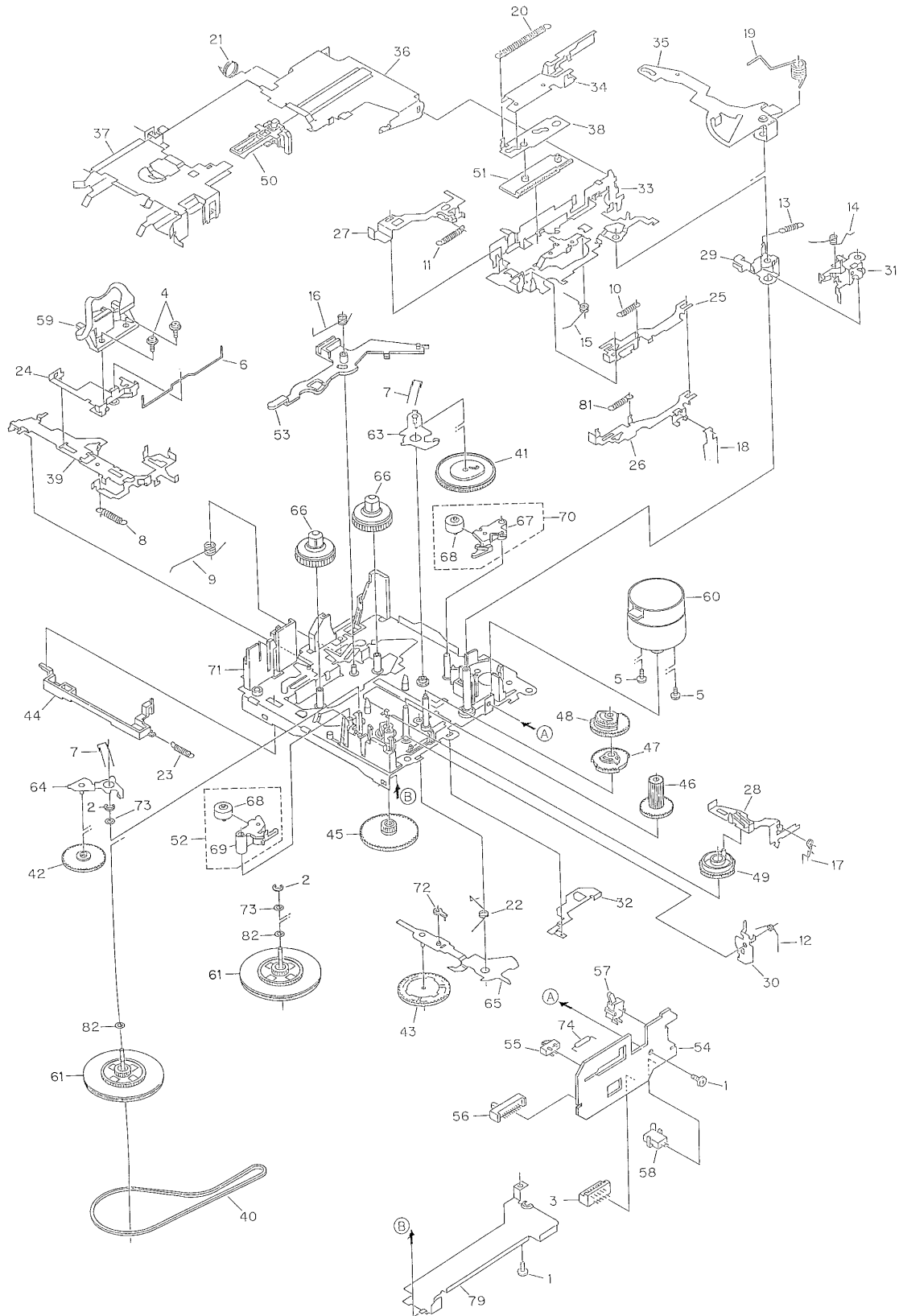
Mark No.	Description	Part No.	Mark No.	Description	Part No.
1	Screw	BSZ26P050FMC	36	Bracket	CNC6135
2	Screw	BSZ30P100FMC	37	Bracket	CNC6791
3	Cord Assy	CDE5805	38	Arm	CNV4692
4	Case	CNB2481	39	Arm	CNV4693
5	Panel	CNS5214	40	Arm	CNV4728
6	Screw	BSZ30P055FUC	41	Panel Unit	CXB3715
7	Screw	BSZ30P060FMC	42	Door	CAT2028
8	Screw	BSZ30P100FMC	43	Spring	CBH1838
9	Holder	CNC5704	44	Screw	IMS20P030FZK
10	Cushion	CNM4870	45	Detach Grille Assy	See Contrast table(2)
11	Insulator	CNM5025	46	Screw	BPZ20P120FZK
12	Tuner Amp Unit	See Contrast table(2)	47	Button(Detachable)	CAC5868
13	Screw	BPZ26P080FMC	48	Button(Eject)	CAC5870
14	Screw	BSZ26P080FMC	49	Button(REW)	CAC5872
15	Screw	BSZ26P140FMC	50	Button(FF)	CAC5874
16	FM/AM Tuner Unit	See Contrast table(2)	51	Button(F,A,Cross)	CAC5876
17	Holder	CNC6554	52	Button(-,-)	CAC5878
18	Pin Jack(CN401)	CKB1035	53	Button(1-6,D,B)	CAC5880
19	Plug(CN601)	CKM1270	54	Button(+,-)	CAC5882
20	Connector(CN604)	CKS3362	55	Button(SO/OFF,PGM)	CAC5884
21	Connector(CN602)	CKS3408	56	Spring	CBH1836
22	Connector(CN603)	CKS3581	57	Spring	CBH2103
23	Antenna Jack(CN301)	CKX1056	58	Grille	See Contrast table(2)
24	Panel	CNB2245	59	Cover	CNS5209
25	Holder	CNC5399	60	Keyboard Unit	CWM6273
26	Holder	CNC6216	61	LCD(LCD901)	CAW1513
27	Heat Sink	CNC6217	62	Connector(CN901)	CKS3580
28	Holder	CNC6531	63	Holder	CNC8054
29	Holder	CNC6845	64	Connector	CNV5586
30	Chassis Unit	CXA9851	65	Rubber	CNV5587
31	Holder Unit	CXB2687	66	Holder	CNV5589
32	Button	CAC4836	67	Lighting Conductor	CNV5752
33	Spring	CBH1834	68	Case Assy	CXB3520
34	Spring	CBH1835	69	Transistor(Q804)	2SD2396
35	Spring	CBH1996	70	Cassette Mechanism Assy	EXK3450
			71	Fuse(FU951)(10A)	CEK1136
			72	IC(IC501)	TDA7384
			* 73	Cord	See Contrast table(2)

**(2) CONTRAST TABLE**

KEH-P2800/X1M/UC and KEH-P3850/X1M/ES are constructed the same except for the following:

Mark No.	Description	Part No.	
		KEH-P2800/X1M/UC	KEH-P3850/X1M/ES
12	Tuner Amp Unit	CWM6276	CWM6349
16	FM/AM Tuner Unit	CWE1467	CWE1486
45	Detach Grille Assy	CXB3369	CXB3375
58	Grille	CNS5200	CNS5201
* 73	Cord	CDC1043	Not used

## 2.3 CASSETTE MECHANISM ASSY



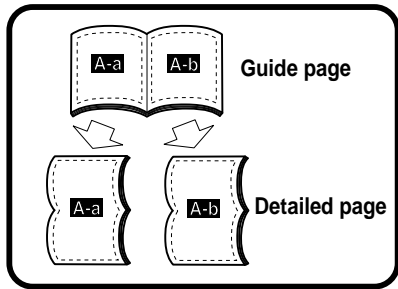
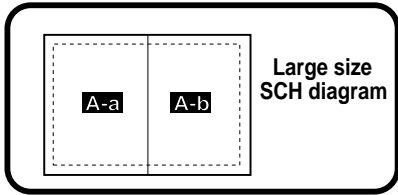
### ● CASSETTE MECHANISM ASSY SECTION PARTS LIST

Mark No.	Description	Part No.	Mark No.	Description	Part No.
1	Screw	BSZ23P050FMC	46	Gear	ENV1475
2	Washer	CBG1003	47	Gear	ENV1512
3	Connector(CN1)	CKS2829	48	Gear	ENV1513
4	Screw(M2x5)	EBA1038	49	Gear	ENV1502
5	Screw(M2x2.5)	EBA1037	50	Lever	ENV1480
6	Spring	EBH1554	51	Lever	ENV1487
7	Spring	EBH1555	52	Pinch Holder Unit	EXA1516
8	Spring	EBH1556	53	Arm	ENV1519
9	Spring	EBH1603	* 54	PCB	ENP1161
10	Spring	EBH1591	55	Switch(Eject)(S4)	ESG1006
11	Spring	EBH1559	56	Switch(FWD)(REV)(S3)	ESH1006
12	Spring	EBH1593	57	Switch(Load)(S1)	ESN1016
13	Spring	EBH1561	58	Switch(Mute)(S2)	ESN1017
14	Spring	EBH1562	59	Head Assy(HD1)	EXA1466
15	Spring	EBH1563	60	Motor Unit(M1)	EXA1467
16	Spring	EBH1590	61	Flywheel Unit	EXA1547
17	Spring	EBH1565	62	••••	
18	Spring	EBH1566	63	Arm Unit	EXA1447
19	Spring	EBH1567	64	Arm Unit	EXA1448
20	Spring	EBH1568	65	Arm Unit	EXA1550
21	Spring	EBH1569	66	Reel Unit	EXA1450
22	Spring	EBH1571	67	Pinch Holder	ENV1466
23	Spring	EBH1579	68	Pinch Roller	ENV1518
24	Head Base	ENC1475	69	Pinch Holder	ENV1467
25	Lever	ENC1429	70	Pinch Holder Unit	EXA1515
26	Lever	ENC1430	71	Chassis Unit	EXA1498
27	Lever	ENC1431	72	Arm	ENV1524
28	Lever	ENC1432	73	Washer	CBF-167
29	Arm	ENC1433	74	Resistor(R1)	RD1/4HM472J
30	Arm	ENC1434	75-78	••••	
31	Arm	ENC1480	79	Cover	ENC1452
32	Arm	ENC1476	80	••••	
33	Bracket	ENC1512	81	Spring	EBH1592
34	Lever	ENC1523	82	Washer	CBF1051
35	Arm	ENC1524			
36	Frame	ENC1440			
37	Holder	ENC1441			
38	Lever	ENC1446			
39	Lever	ENC1478			
40	Belt	ENT1027			
41	Gear	ENV1504			
42	Gear	ENV1470			
43	Gear	ENV1517			
44	Lever	ENV1472			
45	Gear	ENV1510			

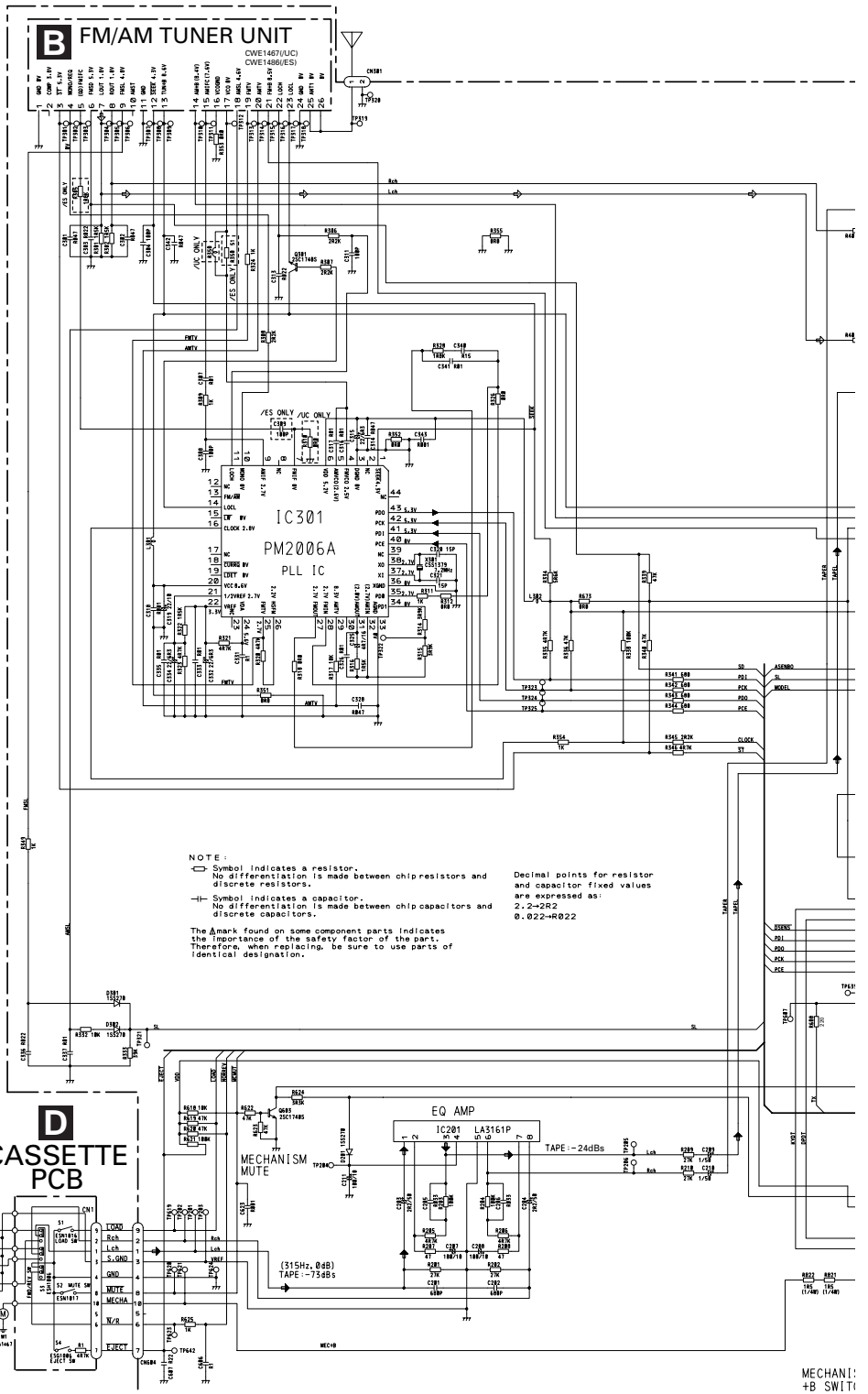
### 3. SCHEMATIC DIAGRAM

#### 3.1 OVERALL CONNECTION DIAGRAM(GUIDE PAGE)

Note: When ordering service parts, be sure to refer to "EXPLODED VIEWS AND PARTS LIST" or "ELECTRICAL PARTS LIST".



# A-a

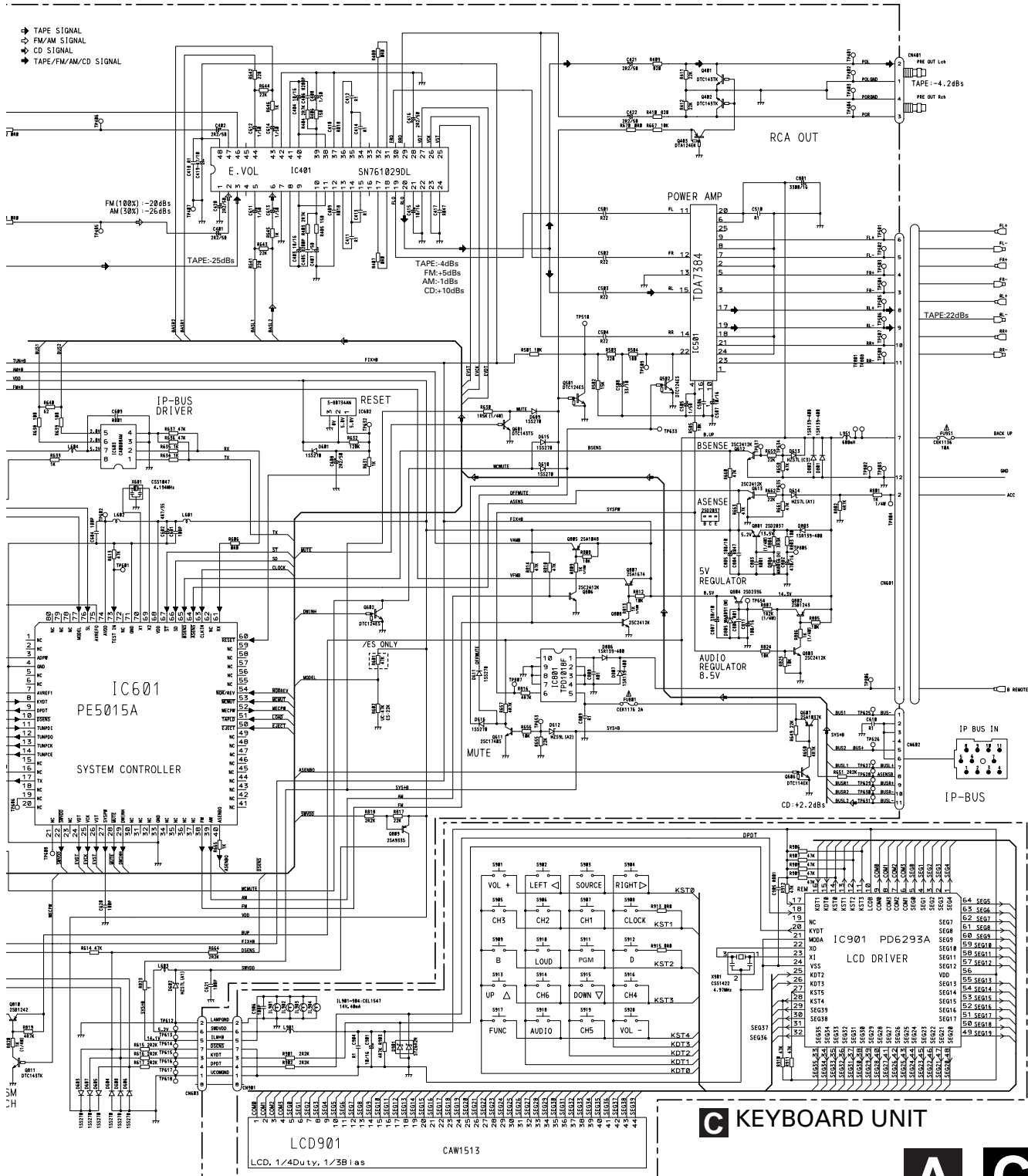


# A D



# A-b

## A TUNER AMP UNIT



## C KEYBOARD UNIT

# A C

A-a A-b

A

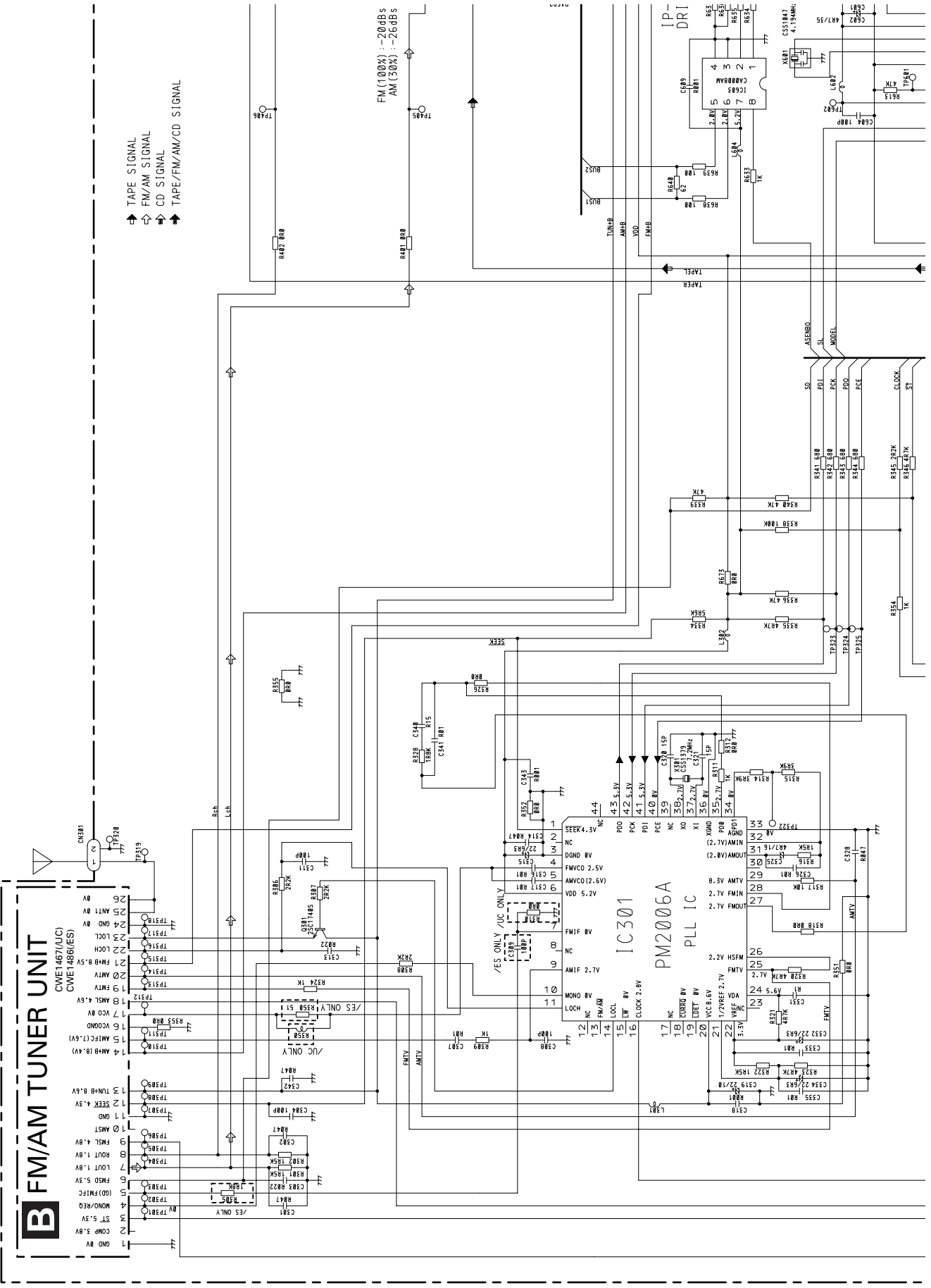
B

C

D

# B FM/AM TUNER UNIT

QW1E1467(U/C)  
QW1E1486(ES)  
QW1E1486(ES)



- ▶ TAPE SIGNAL
- ◀ FM/AM SIGNAL
- ▶ CD SIGNAL
- ▶ TAPE/FM/AM/CD SIGNAL

FM (100%) :-20dBs  
AM (30%) :-26dBs

A

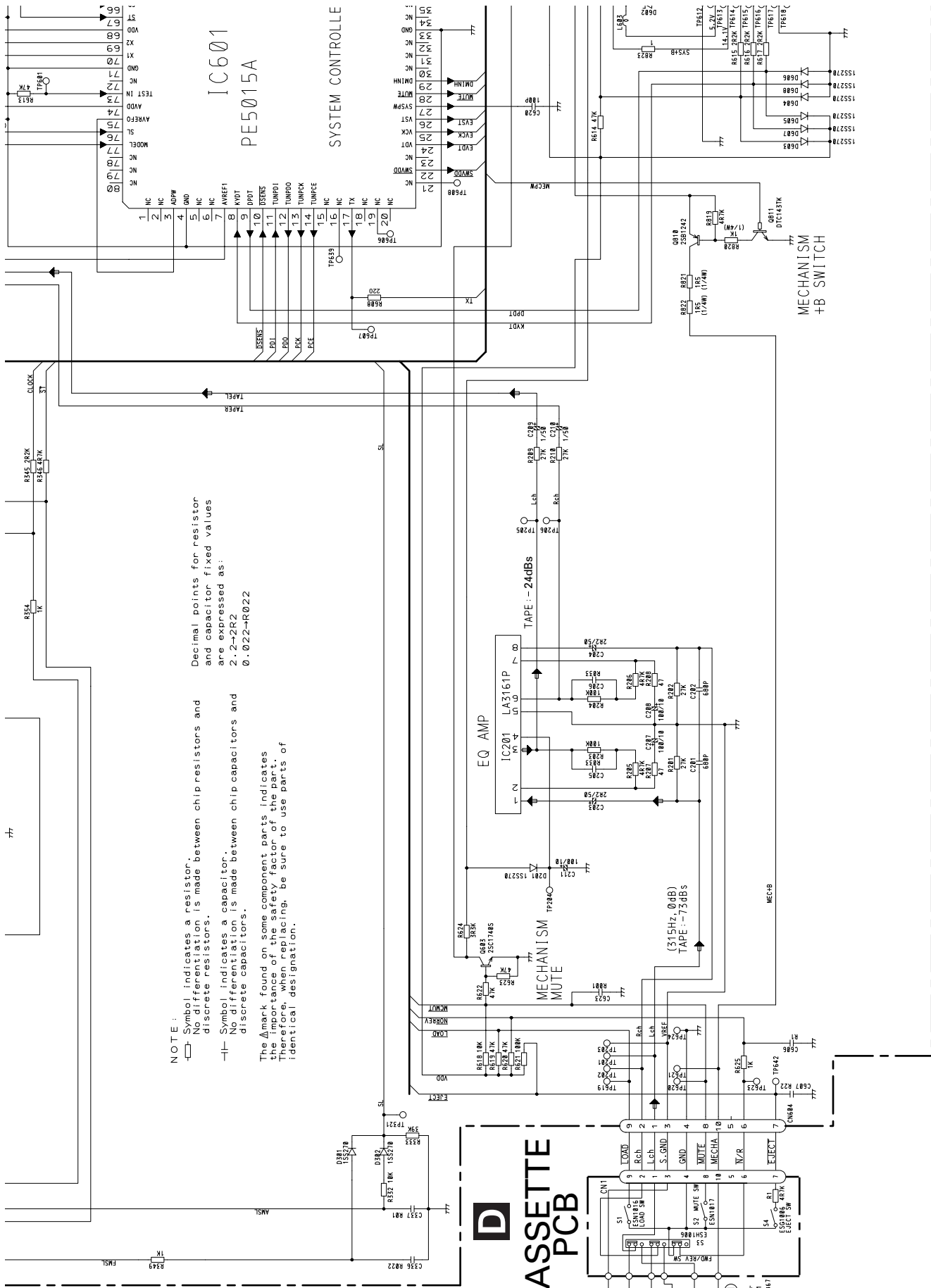
A-a

A

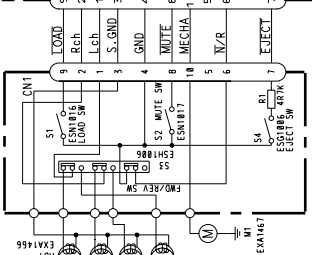
B

C

D



**D**  
**CASSETTE**  
**PCB**

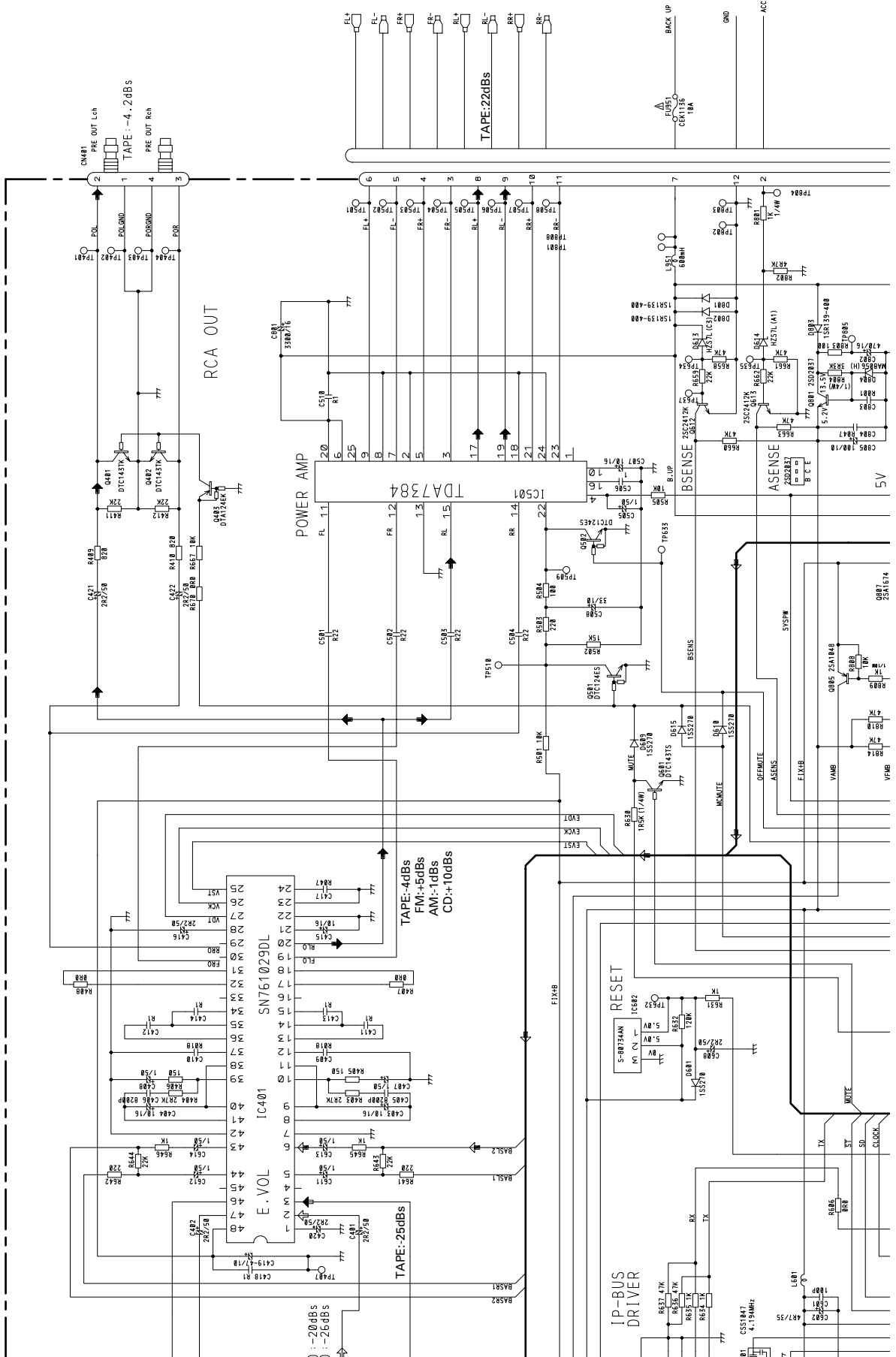


A-a A-b

**A-a** **D**

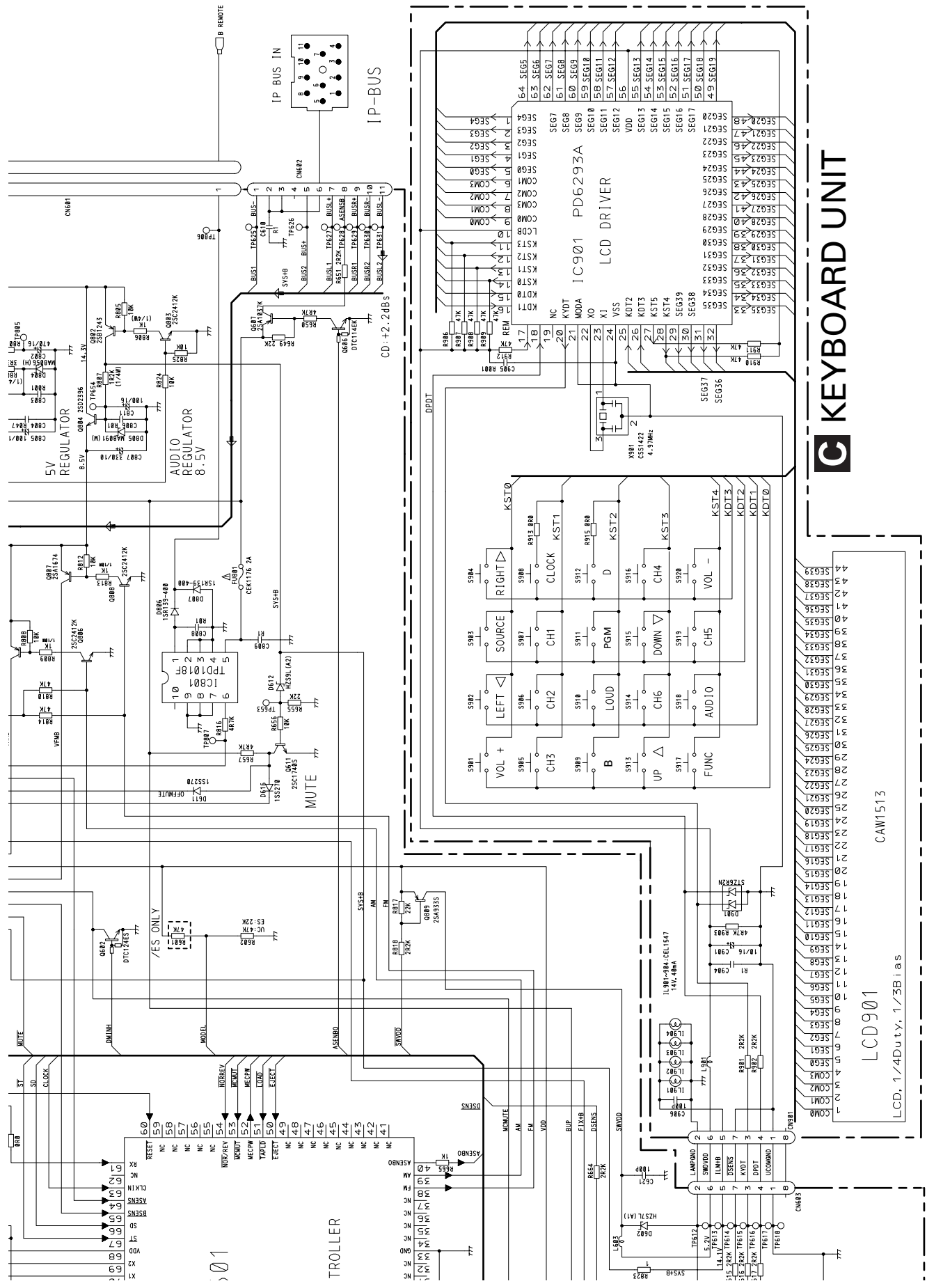
A-a A-b

# A TUNER AMP UNIT



A-b

A-a A-b



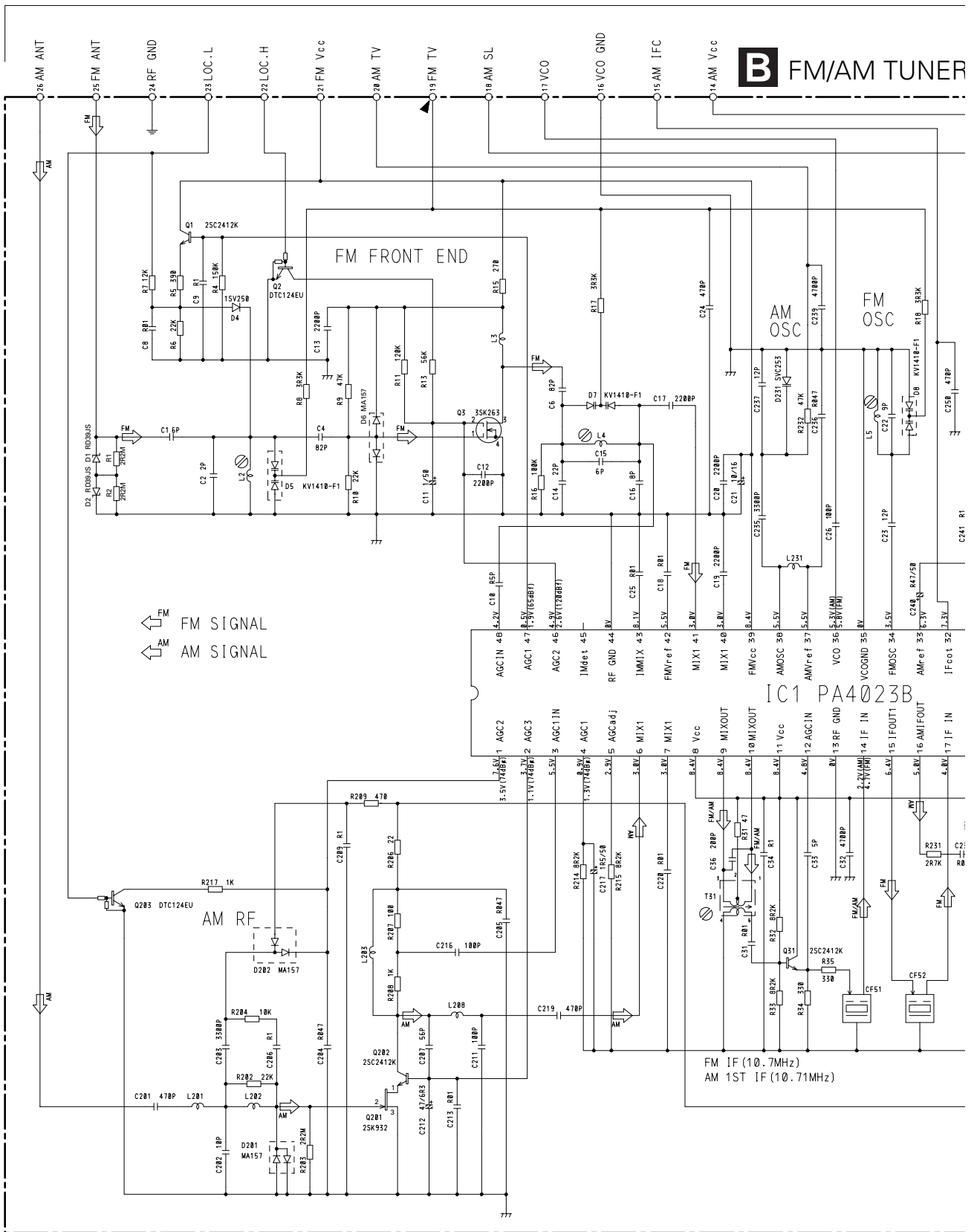
# KEYBOARD UNIT

LCD901  
LCD, 1/4Duty, 1/3Bias



### 3.2 FM/AM TUNER UNIT

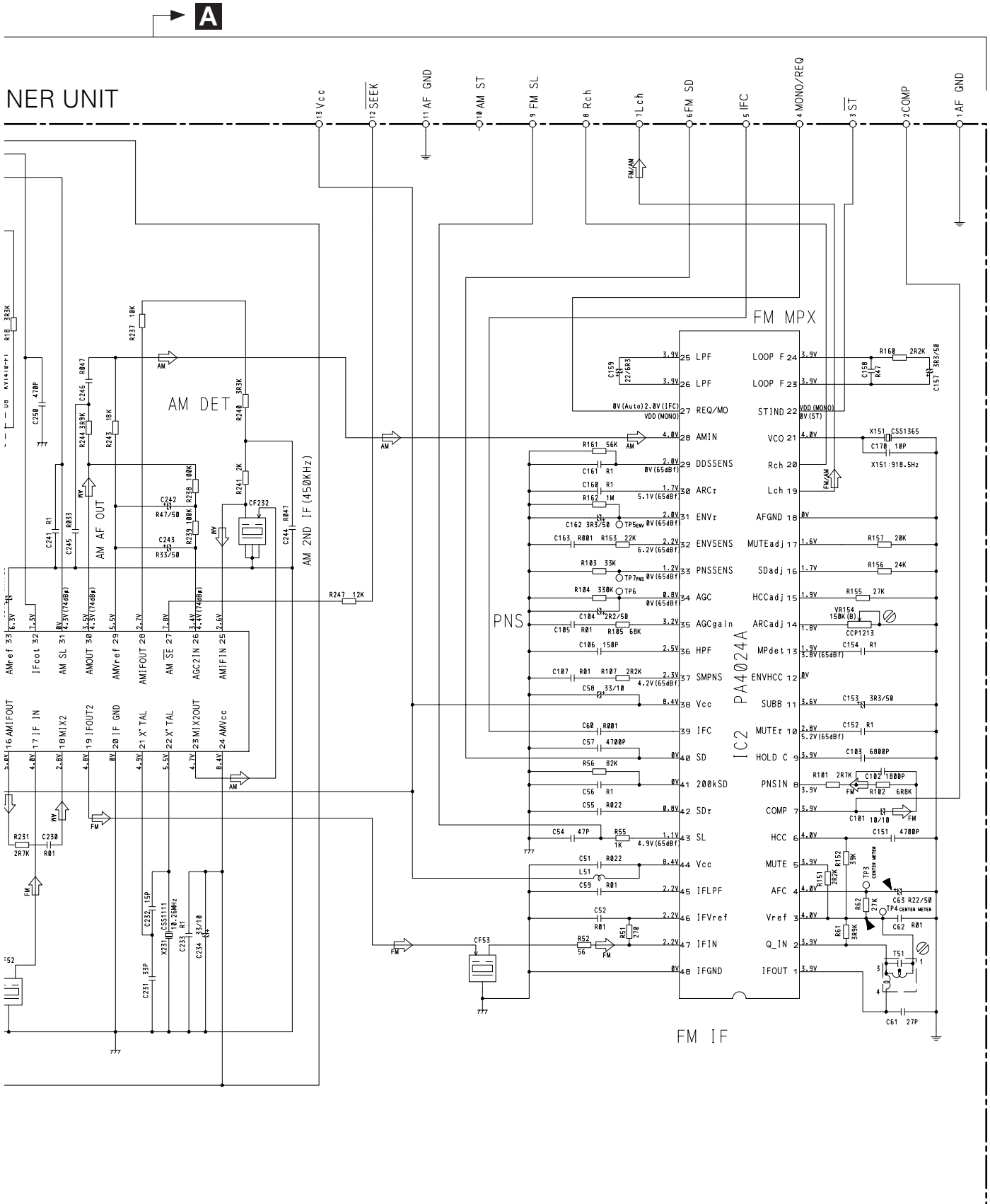
● CWE1467 (KEH-P2800/X1M/UC)



**B** FM/AM TUNER

IC1 PA4023B

FM IF (10.7MHz)  
AM 1ST IF (10.71MHz)



A

A

B

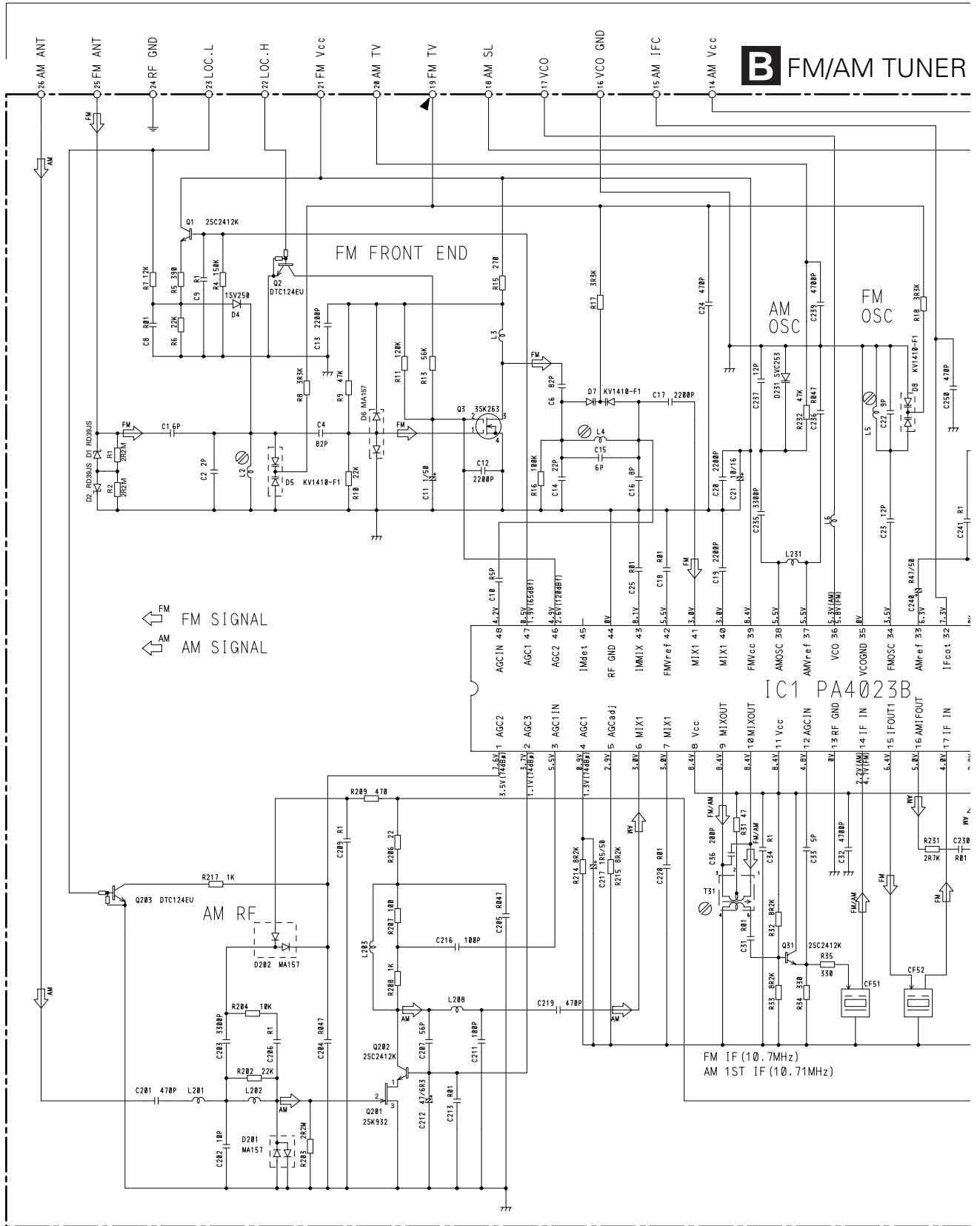
C

D

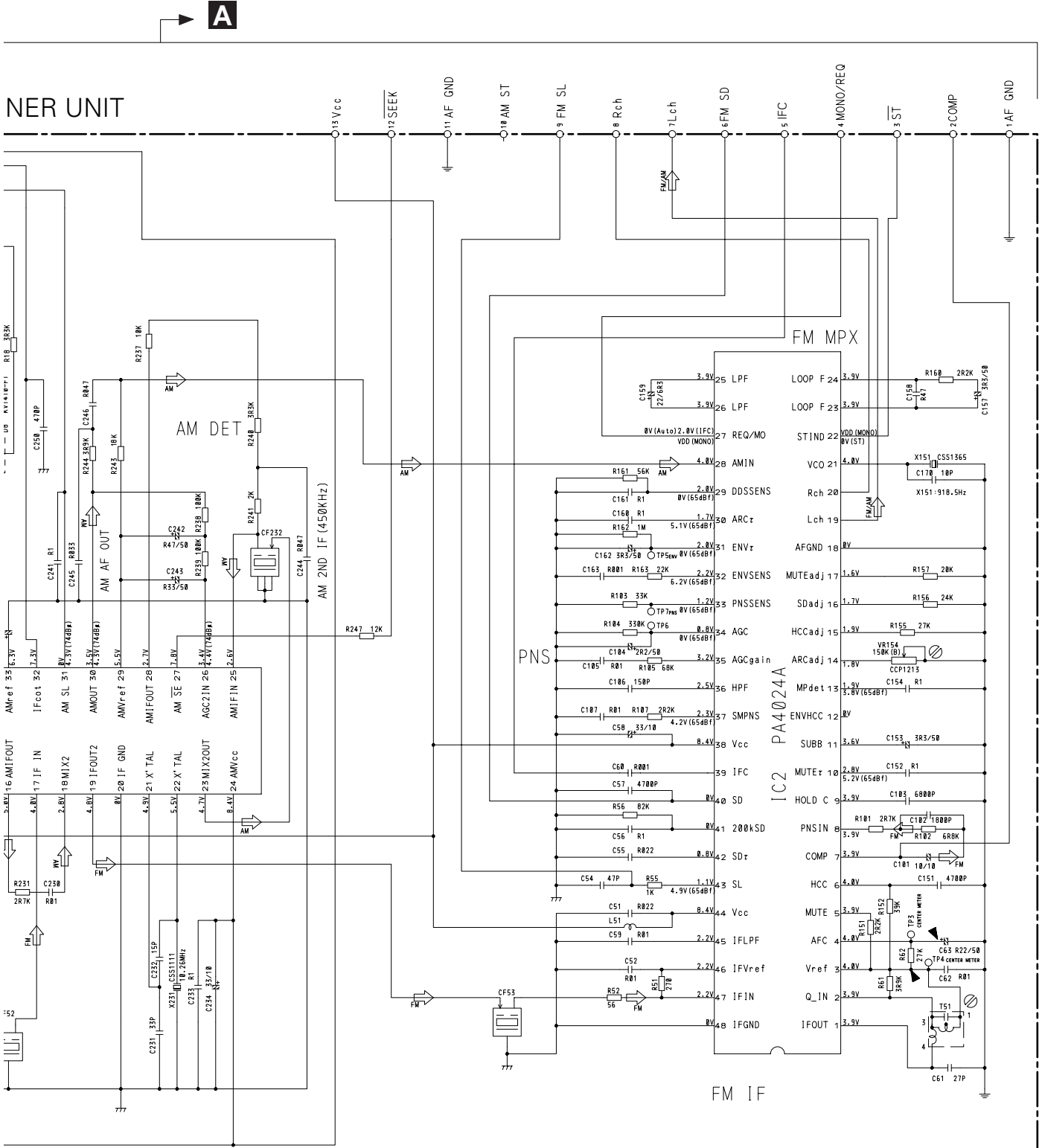
B

● CWE1486 (KEH-P3850/X1M/ES)

**B** FM/AM TUNER







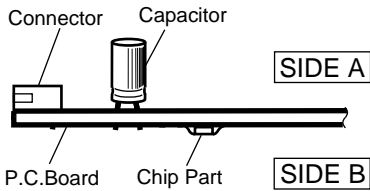
# 4. PCB CONNECTION DIAGRAM

## 4.1 TUNER AMP UNIT

### NOTE FOR PCB DIAGRAMS

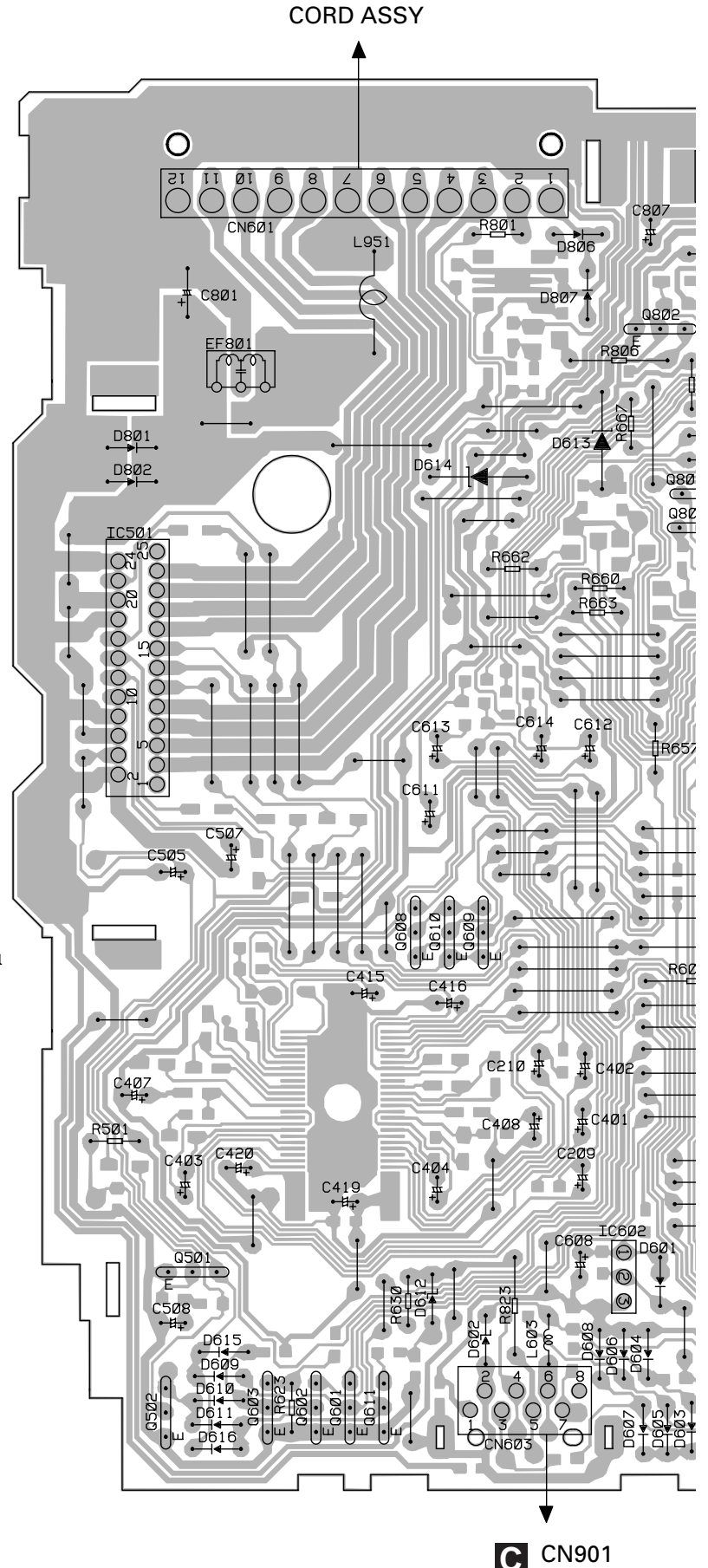
1. The parts mounted on this PCB include all necessary parts for several destination. For further information for respective destinations, be sure to check with the schematic diagram.

2. Viewpoint of PCB diagrams

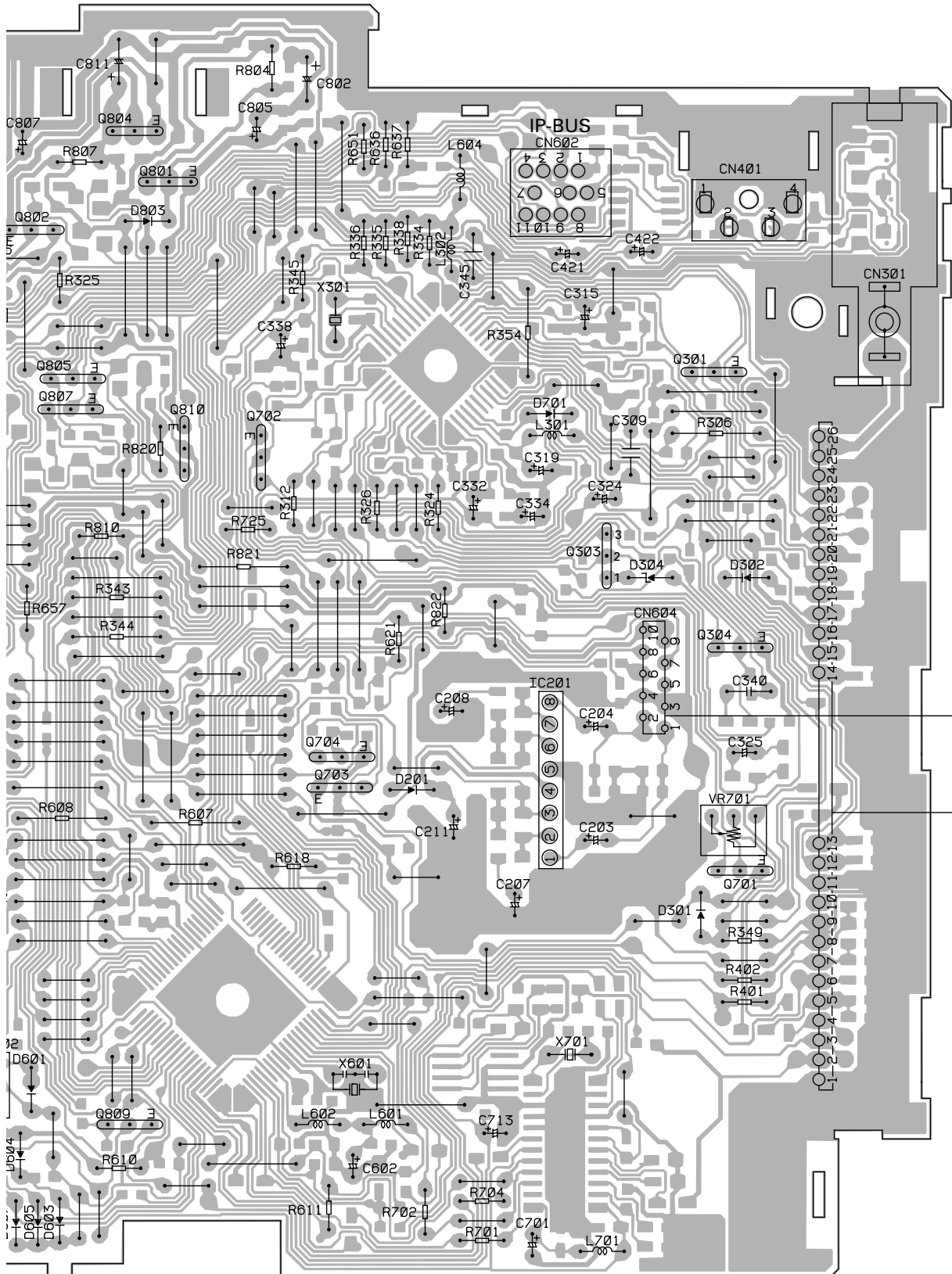


### A TUNER AMP UNIT

- IC, Q ADJ
- Q804
- Q801
- Q802
- Q805 Q301
- Q807 Q810
- Q702 IC302
- IC501
- Q303
- Q304
- IC201
- Q704
- Q703
- Q608 Q610 Q609
- Q701
- IC602
- Q501
- Q809
- Q602 Q601 Q611
- Q502 Q603



SIDE A



D CN1

B

A

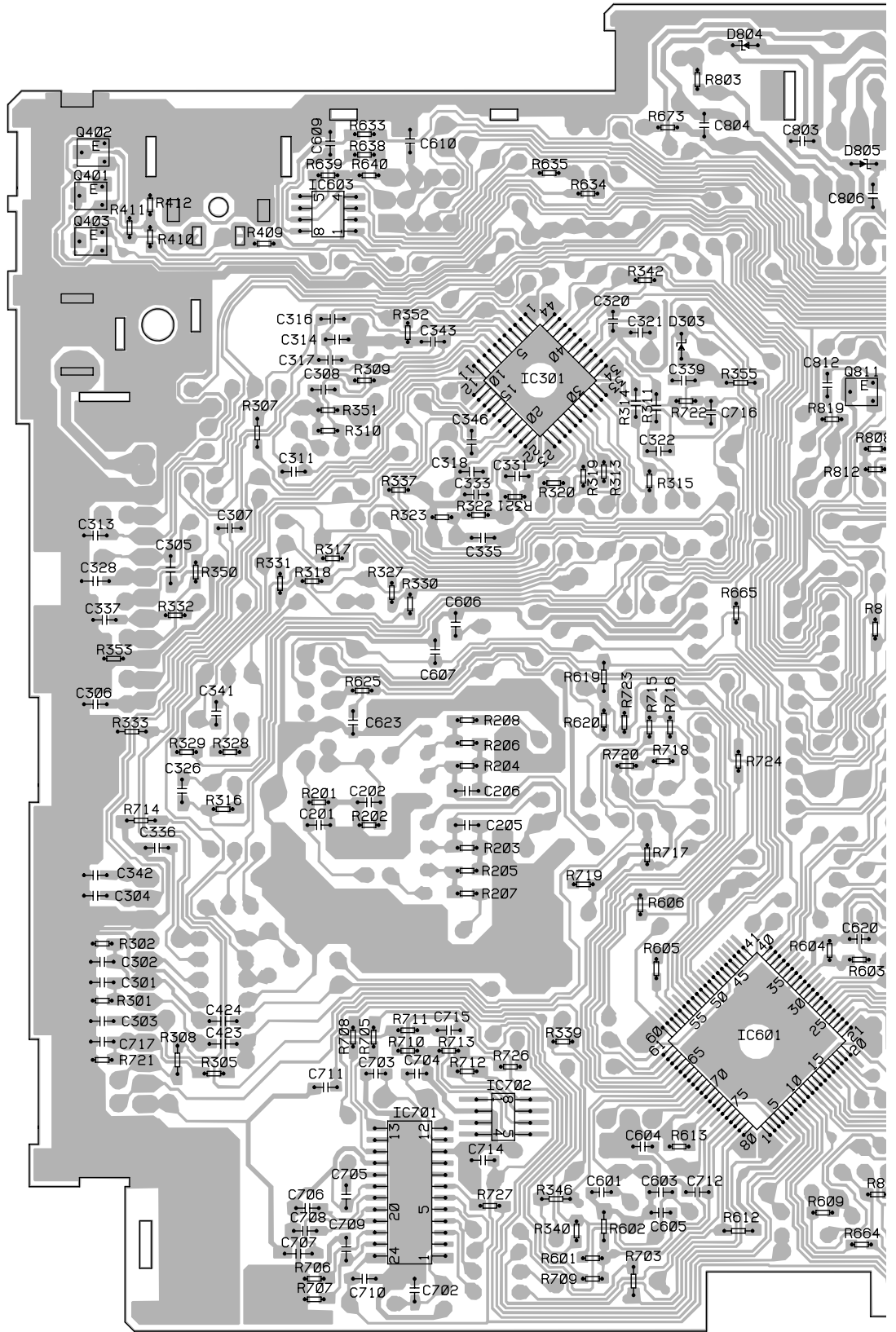
**A** TUNER AMP UNIT

A

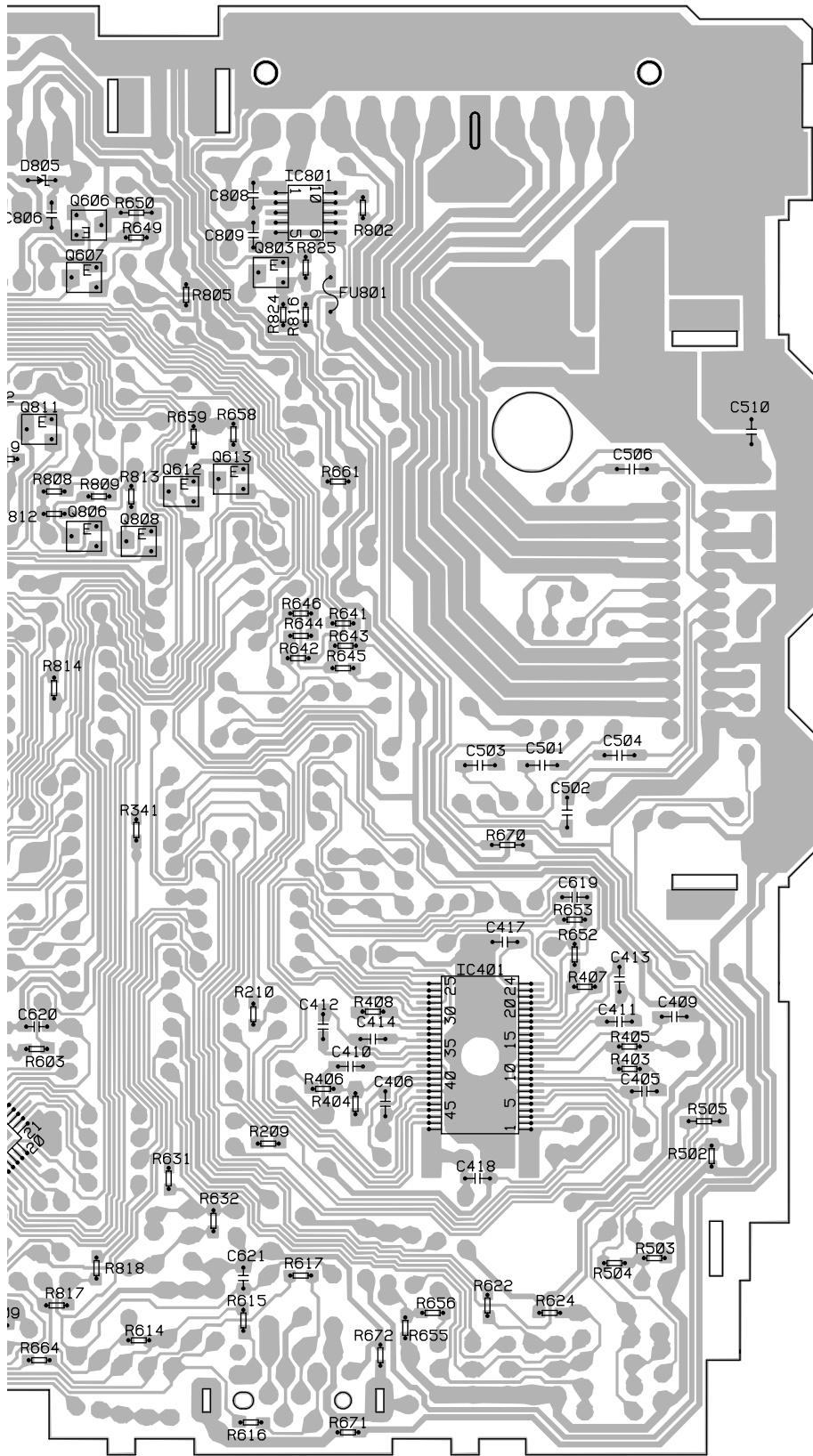
B

C

D



SIDE B



- IC, Q
- Q402
- IC801 Q606
- Q401 IC603
- Q403
- Q607 Q803
- Q811
- IC501
- Q613
- Q612
- Q806 Q808
- IC401
- IC601
- IC702
- IC701

A

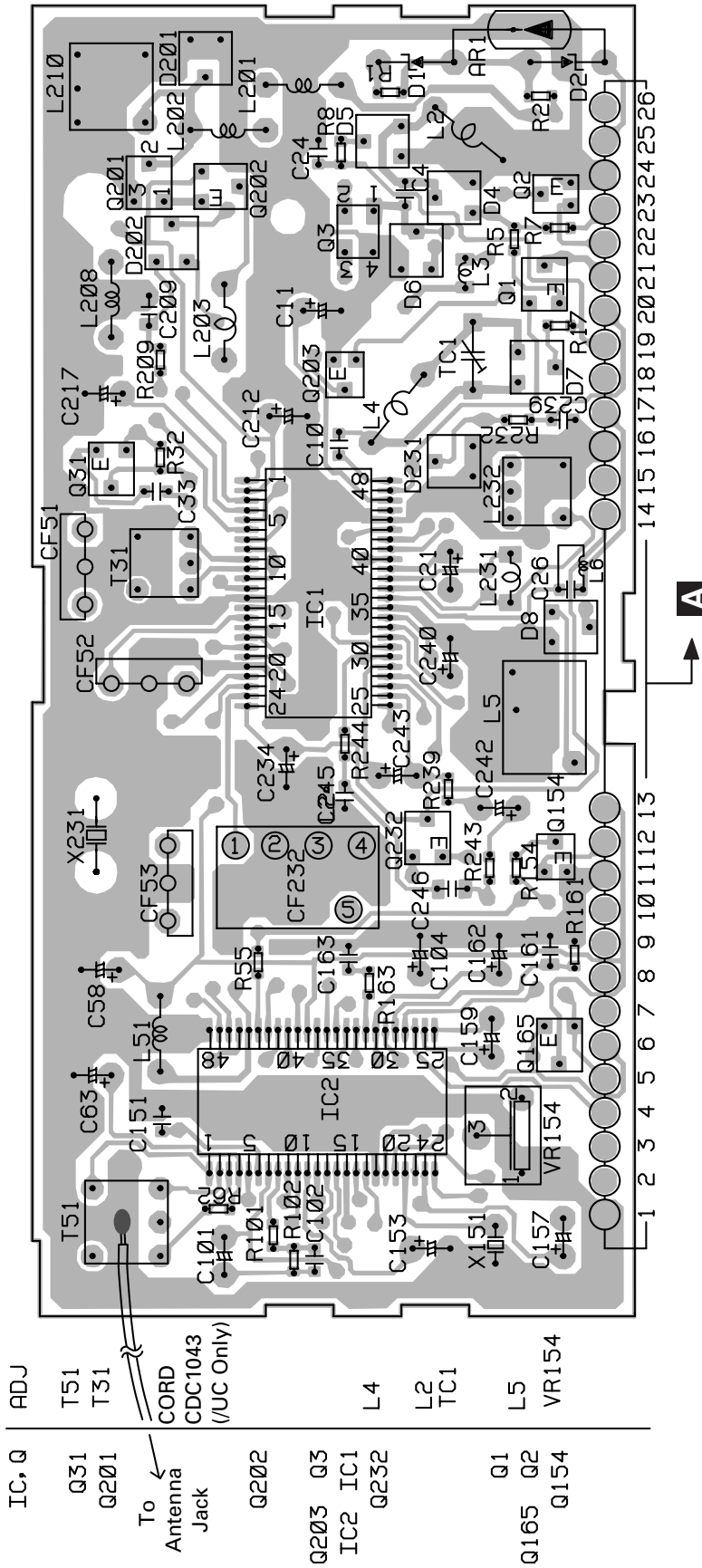
B

C

D

### 4.2 FM/AM TUNER UNIT

SIDE A



**B** FM/AM TUNER UNIT



- ADJ T51
- T31
- CORD
- CDC1043 (UC Only)
- L4
- L2
- TC1
- L5
- VR154
- IC, Q Q31
- Q201
- To Antenna Jack
- Q202
- Q203
- Q3
- IC1
- Q232
- Q1
- Q2
- Q154

A

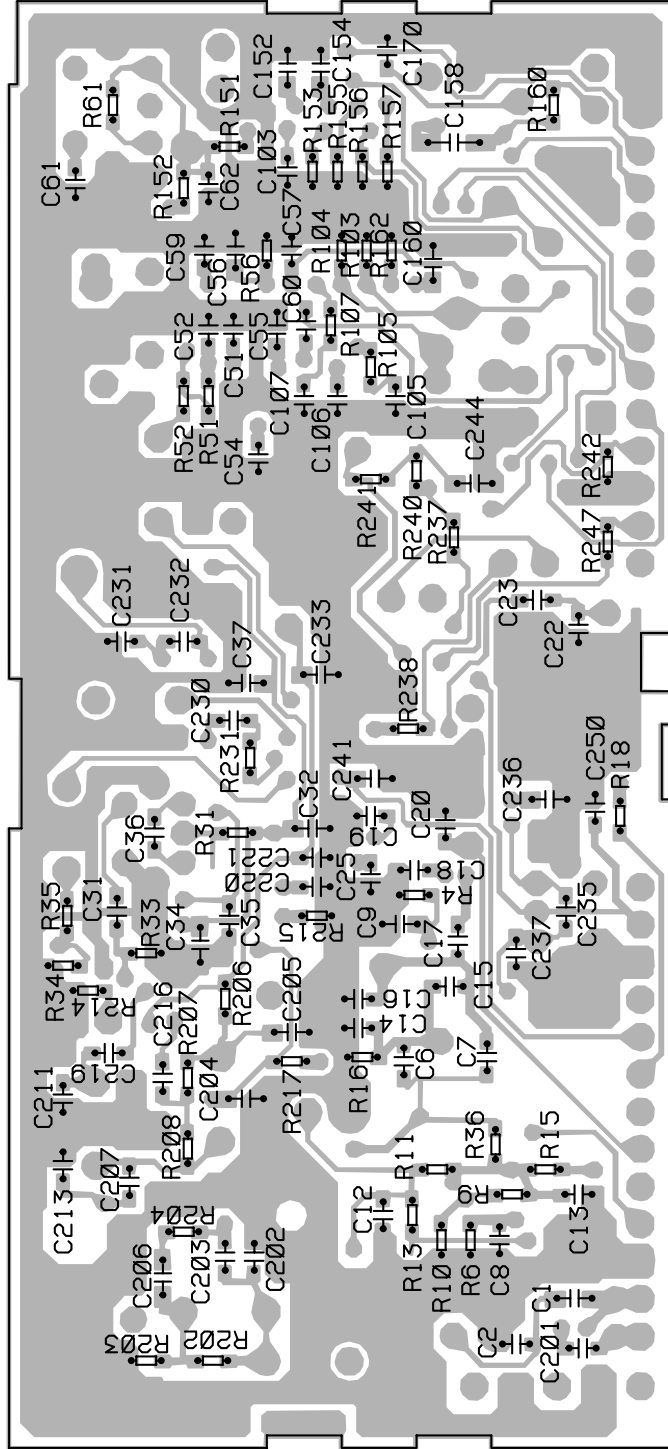
B

C

D



SIDE B

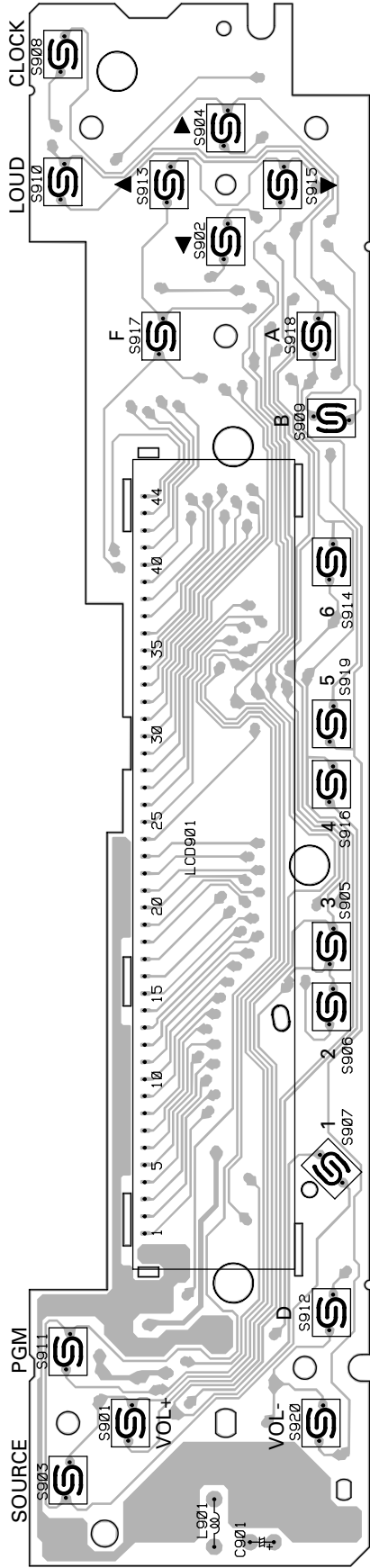


B FM/AM TUNER UNIT

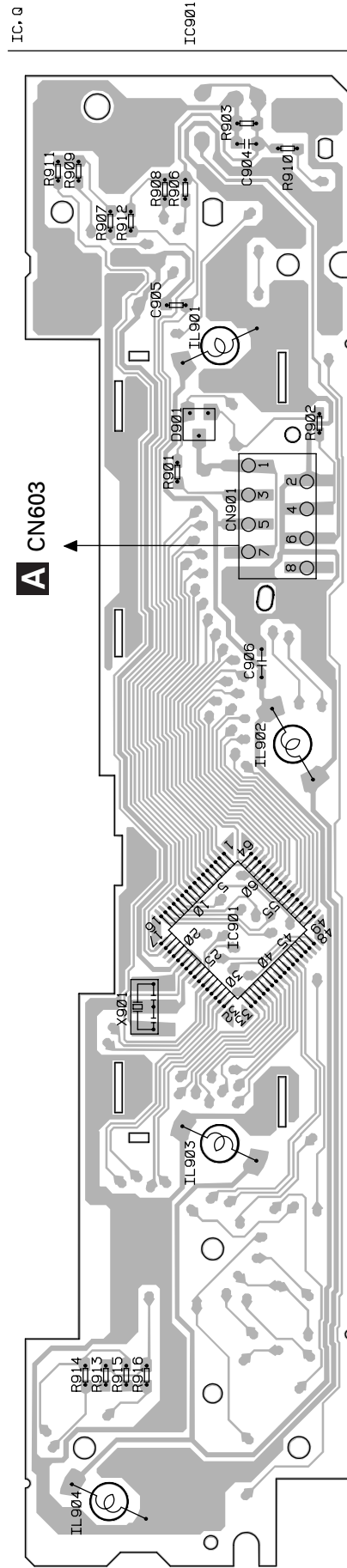
B

### 4.3 KEYBOARD UNIT

SIDE A



SIDE B



C KEYBOARD UNIT

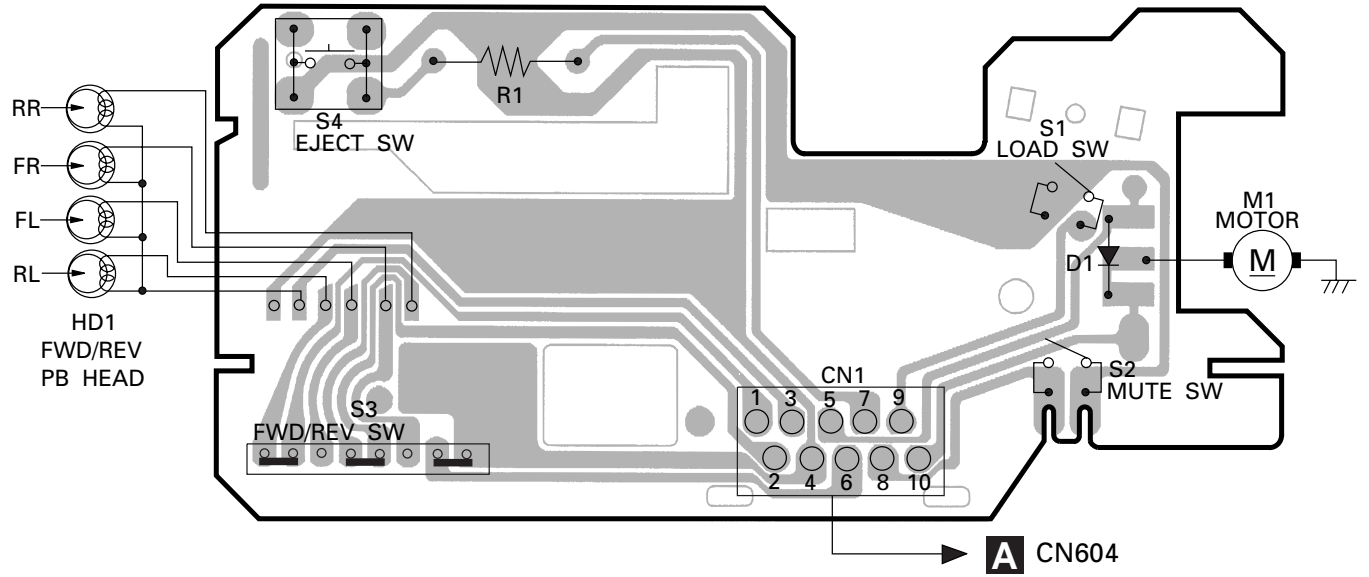
C KEYBOARD UNIT





### 4.4 CASSETTE MECHANISM ASSY

#### **D** CASSETTE PCB



## 5. ELECTRICAL PARTS LIST

**NOTE:**

● Parts whose parts numbers are omitted are subject to being not supplied.

● The part numbers shown below indicate chip components.

Chip Resistor

RS1/○S○○○○J,RS1/○○S○○○○J

Chip Capacitor (except for CQS.....)

CKS....., CCS....., CSZS.....

====Circuit Symbol and No.====	Part Name	Part No.	====Circuit Symbol and No.====	Part Name	Part No.
<b>A</b>	Unit Number : CWM6276 (KEH-P2800/X1M/UC)		D 615	Diode	1SS270
	Unit Number : CWM6349 (KEH-P3850/X1M/ES)		D 616	Diode	1SS270
	Unit Name : Tuner Amp Unit		D 801	Diode	1SR139-400
			D 802	Diode	1SR139-400
			D 803	Diode	1SR139-400
MISCELLANEOUS			D 804	Diode	MA8056(H)
IC 201	IC	LA3161P	D 805	Diode	MA8091(M)
IC 301	IC	PM2006A	D 806	Diode	1SR139-400
IC 401	IC	SN761029DL	D 807	Diode	1SR139-400
IC 501	IC	TDA7384	L 301	Ferri-Inductor	LAU101K
IC 601	IC	PE5015A	L 302	Ferri-Inductor	LAU2R2K
IC 602	IC	S-80734AN	L 601	Ferri-Inductor	LAU101K
IC 603	IC	CA0008AM	L 602	Ferri-Inductor	LAU101K
IC 801	IC	TPD1018F	L 603	Ferri-Inductor	LAU101K
Q 301	Transistor	2SC1740S	L 604	Ferri-Inductor	LAU2R2K
Q 401	Transistor	DTC143TK	L 951	Choke Coil 600mH	CTH1168
Q 402	Transistor	DTC143TK	X 301	Crystal Resonator 7.200MHz	CSS1379
Q 403	Transistor	DTA124EK	X 601	Ceramic Resonator 4.194MHz	CSS1047
Q 501	Transistor	DTC124ES	FU 801	Fuse 2A	CEK1176
Q 502	Transistor	DTC124ES	FM/AM TunerUnit (KEH-P2800/X1M/UC) CWE1467		
Q 601	Transistor	DTC143TS	FM/AM TunerUnit (KEH-P3850/X1M/ES) CWE1486		
Q 602	Transistor	DTC124ES	RESISTORS		
Q 603	Transistor	2SC1740S	R 201		RS1/10S273J
Q 606	Transistor	DTC114EK	R 202		RS1/10S273J
Q 607	Transistor	2SA1037K	R 203		RS1/10S104J
Q 611	Transistor	2SC1740S	R 204		RS1/10S104J
Q 612	Transistor	2SC2412K	R 205		RS1/10S472J
Q 613	Transistor	2SC2412K	R 206		RS1/10S472J
Q 801	Transistor	2SD2037	R 207		RS1/10S470J
Q 802	Transistor	2SB1243	R 208		RS1/10S470J
Q 803	Transistor	2SC2412K	R 209		RS1/10S273J
Q 804	Transistor	2SD2396	R 210		RS1/10S273J
Q 805	Transistor	2SA1048	R 301		RS1/10S152J
Q 806	Transistor	2SC2412K	R 302		RS1/10S152J
Q 807	Transistor	2SA1674	R 305	(KEH-P3850/X1M/ES)	RS1/10S182J
Q 808	Transistor	2SC2412K	R 306		RD1/4PU222J
Q 809	Transistor	2SA933S	R 307		RS1/8S222J
Q 810	Transistor	2SB1242	R 308		RS1/8S222J
Q 811	Transistor	DTC143TK	R 309		RS1/10S102J
D 201	Diode	1SS270	R 310	(KEH-P2800/X1M/UC)	RS1/10S0R0J
D 301	Diode	1SS270	R 311		RS1/8S102J
D 302	Diode	1SS270	R 312		RD1/4PU0R0J
D 601	Diode	1SS270	R 314		RS1/8S392J
D 602	Diode	HZS7L(A1)	R 315		RS1/10S392J
D 603	Diode	1SS270	R 316		RS1/10S152J
D 604	Diode	1SS270	R 317		RS1/10S103J
D 605	Diode	1SS270	R 318		RS1/10S0R0J
D 606	Diode	1SS270	R 320		RS1/10S472J
D 607	Diode	1SS270	R 321		RS1/10S472J
D 608	Diode	1SS270	R 322		RS1/10S152J
D 609	Diode	1SS270	R 323		RS1/10S472J
D 610	Diode	1SS270	R 324		RD1/4PU102J
D 611	Diode	1SS270			
D 612	Diode	HZS9L(A2)			
D 613	Diode	HZS7L(C3)			
D 614	Diode	HZS7L(A1)			

====Circuit Symbol and No.====	Part Name	Part No.	====Circuit Symbol and No.====	Part Name	Part No.
R 326		RD1/4PU0R0J	R 636		RD1/4PU473J
R 328		RS1/10S182J	R 637		RD1/4PU473J
R 332		RS1/10S103J	R 638		RS1/10S101J
R 333		RS1/8S393J	R 639		RS1/10S101J
R 334		RD1/4PU562J	R 640		RS1/10S620J
R 335		RD1/4PU472J	R 641		RS1/10S221J
R 336		RD1/4PU473J	R 642		RS1/10S221J
R 338		RD1/4PU104J	R 643		RS1/10S223J
R 339		RS1/10S473J	R 644		RS1/10S223J
R 340		RS1/10S473J	R 645		RS1/10S102J
R 341		RS1/10S681J	R 646		RS1/10S102J
R 342		RS1/10S681J	R 649		RS1/10S223J
R 343		RD1/4PU681J	R 650		RS1/8S472J
R 344		RD1/4PU681J	R 651		RD1/4PU222J
R 345		RD1/4PU222J	R 655		RS1/10S223J
R 346		RS1/8S472J	R 656		RS1/10S103J
R 349		RD1/4PU102J	R 657		RD1/4PU472J
R 350	(KEH-P2800/X1M/UC)	LCTBR39K2125	R 658		RS1/10S473J
R 351	(KEH-P3850/X1M/ES)	RS1/10S510J	R 659		RS1/10S223J
		RS1/10S0R0J	R 660		RD1/4PU473J
R 352		RS1/10S0R0J	R 661		RS1/10S473J
R 353		RS1/10S0R0J	R 662		RD1/4PU223J
R 354		RD1/4PU102J	R 663		RD1/4PU473J
R 355		RS1/8S0R0J	R 664		RS1/10S222J
R 401		RD1/4PU0R0J	R 665		RS1/10S102J
R 402		RD1/4PU0R0J	R 667		RD1/4PU103J
R 403		RS1/10S272J	R 670		RS1/8S0R0J
R 404		RS1/10S272J	R 673		RS1/10S0R0J
R 405		RS1/10S151J	R 801		RD1/4PU102J
R 406		RS1/10S151J	R 802		RS1/10S472J
R 407		RS1/10S0R0J	R 803		RS1/10S101J
R 408		RS1/10S0R0J	R 804		RD1/4PU332J
R 409		RS1/10S821J	R 805		RS1/10S103J
R 410		RS1/10S821J	R 806		RD1/4PU102J
R 411		RS1/10S223J	R 807		RD1/4PU122J
R 412		RS1/10S223J	R 808		RS1/10S103J
R 501		RD1/4PU103J	R 809		RS1/10S102J
R 502		RS1/10S153J	R 810		RD1/4PU473J
R 503		RS1/10S221J	R 812		RS1/10S103J
R 504		RS1/10S101J	R 813		RS1/10S102J
R 505		RS1/8S103J	R 814		RS1/10S473J
R 601	(KEH-P3850/X1M/ES)	RS1/10S473J	R 816		RS1/10S472J
R 602	(KEH-P2800/X1M/UC)	RS1/8S473J	R 817		RS1/10S223J
	(KEH-P3850/X1M/ES)	RS1/8S223J	R 818		RS1/10S222J
R 606		RS1/10S0R0J	R 819		RS1/10S472J
R 608		RD1/4PU221J	R 820		RD1/4PU102J
R 613		RS1/10S473J	R 821		RD1/4PU1R5J
R 614		RS1/10S473J	R 822		RD1/4PU1R5J
R 615		RS1/10S222J	R 823		RD1/4PU1R0J
R 616		RS1/10S222J	R 824		RS1/10S103J
R 617		RS1/10S222J	R 825		RS1/10S103J
R 618		RD1/4PU103J			
R 619		RS1/8S473J		CAPACITORS	
R 620		RS1/10S473J	C 201		CKSQYB681K50
R 621		RD1/4PU104J	C 202		CKSQYB681K50
R 622		RS1/10S473J	C 203		CEJA2R2M50
R 623		RD1/4PU473J	C 204		CEJA2R2M50
R 624		RS1/10S332J	C 205		CKSQYB333K50
R 625		RS1/10S102J			
R 630		RD1/4PU152J	C 206		CKSQYB333K50
			C 207		CEJA101M10
R 631		RS1/10S102J	C 208		CEJA101M10
R 632		RS1/10S124J	C 209		CEJA1R0M50
R 633		RS1/10S102J	C 210		CEJA1R0M50
R 634		RS1/10S102J			
R 635		RS1/10S102J	C 211		CEJA101M10
			C 301		CKSQYB473K50
			C 302		CKSQYB473K50
			C 303		CKSQYB223K50
			C 304		CCSQCH101J50

====Circuit Symbol and No.====	Part Name	Part No.
C 307		CKSQYB103K50
C 308		CCSQCH101J50
C 309	(KEH-P3850/X1M/ES)	CKPUYY103M16
C 311		CCSQCH101J50
C 313		CKSQYB223K50
C 314		CKSQYB473K50
C 315		CEJA220M6R3
C 316		CKSQYB103K50
C 317		CKSQYB103K50
C 318		CKSQYB102K50
C 319		CEJA220M10
C 320		CCSQCH150J50
C 321		CCSQCH150J50
C 325	4.7μF/16V	CCH1250
C 326		CKSQYB103K50
C 328		CKLSR473K16
C 331		CKSQYB104K16
C 332		CEJA220M6R3
C 333		CKSQYB103K50
C 334		CEJA220M6R3
C 335		CKSQYB103K50
C 336		CKSQYB223K50
C 337		CKSQYB103K50
C 340		CFTLA154J50
C 341		CKSQYB103K50
C 342		CKSQYB473K50
C 343		CKSQYB102K50
C 401		CEJA2R2M50
C 402		CEJA2R2M50
C 403		CEJA100M16
C 404		CEJA100M16
C 405		CKSQYB822K50
C 406		CKSQYB822K50
C 407		CEJA1R0M50
C 408		CEJA1R0M50
C 409		CKSQYB183K50
C 410		CKSQYB183K50
C 411		CKSQYB104K16
C 412		CKSQYB104K16
C 413		CKSQYB104K16
C 414		CKSQYB104K16
C 415		CEJA100M16
C 416		CEJA2R2M50
C 417		CKSQYB473K50
C 418		CKSQYB104K16
C 419		CEJA470M10
C 420		CEJA2R2M50
C 421		CEJA2R2M50
C 422		CEJA2R2M50
C 501		CKSYB224K16
C 502		CKSYB224K16
C 503		CKSYB224K16
C 504		CKSYB224K16
C 505		CEJA1R0M50
C 506		CKSYB105K16
C 507		CEJA100M16
C 508		CEJA330M10
C 510		CKSQYB104K16
C 601		CCSQCH101J50
C 602		CEJA4R7M35
C 604		CCSQCH101J50
C 606		CKSQYB104K16
C 607		CKSQYB224K16
C 608		CEJA2R2M50
C 609		CKSQYB102K50

====Circuit Symbol and No.====	Part Name	Part No.
C 610		CKSQYB104K16
C 611		CEJA1R0M50
C 612		CEJA1R0M50
C 613		CEJA1R0M50
C 614		CEJA1R0M50
C 620		CCSQCH101J50
C 621		CCSQCH101J50
C 623		CKSQYB102K50
C 801	3300μF/16V	CCH1018
C 802	470μF/16V	CCH1183
C 803		CKSQYB102K50
C 804		CKSQYB473K50
C 805		CEJA101M10
C 806		CKSQYB103K50
C 807	330μF/10V	CCH1181
C 808		CKSQYB103K50
C 809		CKSQYB104K16
C 811	100μF/16V	CCH1179

**C** Unit Number : CWM6273  
Unit Name : Keyboard Unit

MISCELLANEOUS

IC 901	IC	PD6293A
D 901	Diode	STZ6R2N
L 901	Ferri-Inductor	LAU101K
X 901	Ceramic Resonator 4.97MHz	CSS1422
IL 901	Lamp 14V 40mA	CEL1547
IL 902	Lamp 14V 40mA	CEL1547
IL 903	Lamp 14V 40mA	CEL1547
IL 904	Lamp 14V 40mA	CEL1547
LCD 901	LCD	CAW1513

RESISTORS

R 901		RS1/10S222J
R 902		RS1/10S222J
R 903		RS1/10S472J
R 906		RS1/10S473J
R 907		RS1/10S473J
R 908		RS1/10S473J
R 909		RS1/10S473J
R 910		RS1/10S473J
R 911		RS1/10S473J
R 912		RS1/10S473J
R 913		RS1/10S0R0J
R 915		RS1/10S0R0J

CAPACITORS

C 901		CEAL100M16
C 904		CKSQYB104K16
C 905		CKSQYB102K50
C 906		CCSCH101J50

**B** Unit Number : CWE1467 (KEH-P2800/X1M/UC)  
Unit Name : FM/AM Tuner Unit

MISCELLANEOUS

IC 1	IC	PA4023B
IC 2	IC	PA4024A
Q 1	Transistor	2SC2412K
Q 2	Transistor	DTC124EU
Q 3	FET	3SK263
Q 31	Transistor	2SC2412K
Q 201	FET	2SK932
Q 202	Transistor	2SC2412K
Q 203	Transistor	DTC124EU
D 1	Diode	RD39JS

====Circuit Symbol and No.====	Part Name	Part No.	====Circuit Symbol and No.====	Part Name	Part No.
D 2	Diode	RD39JS	R 163		RS1/16S223J
D 4	Diode	1SV250	R 202		RS1/16S223J
D 5	Diode	KV1410-F1	R 203		RS1/16S225J
D 6	Diode	MA157	R 204		RS1/16S103J
D 7	Diode	KV1410-F1	R 206		RS1/16S220J
D 8	Diode	KV1410-F1	R 207		RS1/16S101J
D 201	Diode	MA157	R 208		RS1/16S102J
D 202	Diode	MA157	R 209		RS1/16S471J
D 231	Diode	SVC253	R 214		RS1/16S822J
L 2	Coil	CTC1133	R 215		RS1/16S822J
L 3	Inductor	LCTB2R2K2125	R 217		RS1/16S102J
L 4	Coil	CTC1133	R 231		RS1/16S272J
L 5	Coil	CTC1132	R 232		RS1/16S473J
L 51	Ferri-Inductor	LAU150K	R 237		RS1/16S103J
L 201	Ferri-Inductor	LAU4R7K	R 238		RS1/16S104J
L 202	Ferri-Inductor	LAU330K	R 239		RS1/16S104J
L 203	Inductor	CTF1287	R 240		RS1/16S332J
L 208	Inductor	LAU121K	R 241		RS1/16S202J
L 231	Inductor	LCTA3R3J3225	R 243		RS1/16S183J
T 31	Coil	CTE1117	R 244		RS1/16S392J
T 51	Coil	CTC1159	R 247		RS1/16S123J
CF 51	Ceramic Filter	CTF1441			
CF 52	Ceramic Filter	CTF1441			
CF 53	Ceramic Filter	CTF1441			
CF 232	Ceramic Filter	CTF1348			
X 151	Radiator 918.5Hz	CSS1365			
X 231	Crystal Resonator 10.26MHz	CSS1111			
VR 154	Semi-fixed 150kΩ(B)	CCP1213			
RESISTORS			CAPACITORS		
R 1		RS1/16S225J	C 1		CCSQCH6R0D50
R 2		RS1/16S225J	C 2		CCSRCK2R0C50
R 4		RS1/16S154J	C 4		CCSRCH820J50
R 5		RS1/16S391J	C 6		CCSRCH820J50
R 6		RS1/16S223J	C 8		CKSRYB103K25
R 7		RS1/16S123J	C 9		CKSQYB104K16
R 8		RS1/16S332J	C 10		CCSRCKR50C50
R 9		RS1/16S473J	C 11		CEJA1R0M50
R 10		RS1/16S223J	C 12		CKSRYB222K50
R 11		RS1/16S124J	C 13		CKSRYB222K50
R 13		RS1/16S563J	C 14		CCSRCH220J50
R 15		RS1/16S271J	C 15		CCSRCH6R0D50
R 16		RS1/16S104J	C 16		CCSRCH8R0D50
R 17		RS1/16S332J	C 17		CKSRYB222K50
R 18		RS1/16S332J	C 18		CKSRYB103K25
R 31		RS1/16S470J	C 19		CKSRYB222K50
R 32		RS1/16S822J	C 20		CKSRYB222K50
R 33		RS1/16S822J	C 21		CEJA100M16
R 34		RS1/16S331J	C 22		CCSRTH9R0D50
R 35		RS1/16S331J	C 23		CCSRTH120J50
R 51		RS1/16S271J	C 24		CCSRCH471J50
R 52		RS1/16S560J	C 25		CKSRYB103K25
R 55		RS1/16S102J	C 26		CCSRCH101J50
R 56		RS1/16S823J	C 31		CKSRYB103K25
R 61		RS1/16S392J	C 32		CKSQYB472K50
R 62		RS1/16S273J	C 33		CCSRCH5R0C50
R 101		RS1/16S272J	C 34		CKSQYB104K16
R 102		RS1/16S682J	C 36		CCSRRH201J50
R 103		RS1/16S333J	C 51		CKSRYB223K25
R 104		RS1/16S334J	C 52		CKSRYB103K25
R 105		RS1/16S683J	C 54		CCSRCH470J50
R 107		RS1/16S222J	C 55		CKSQYB223K25
R 151		RS1/16S222J	C 56		CKSQYB104K16
R 152		RS1/16S393J	C 57		CKSRYB472K50
R 155		RS1/16S273J	C 58		CEJA330M10
R 156		RS1/16S243J	C 59		CKSRYB103K25
R 160		RS1/16S203J	C 60		CKSRYB102K50
R 161		RS1/16S222J	C 61		CCSRCH270J50
R 162		RS1/16S563J	C 62		CKSRYB103K25
		RS1/16S105J	C 63		CEJAR22M50
			C 101		CEJANP100M10
			C 102		CKSRYB182K50
			C 103		CKSRYB682K25
			C 104		CEJA2R2M50
			C 105		CKSRYB103K25

# KEH-P2800,P3850

====Circuit Symbol and No.====Part Name	Part No.	====Circuit Symbol and No.====Part Name	Part No.
C 106	CCSRCH151J50	D 8	Diode
C 107	CKSRYPB103K25	D 201	Diode
C 151	CKSRYPB472K50	D 202	Diode
C 152	CKSQYB104K16	D 231	Diode
C 153	CEJA3R3M50	L 2	Coil
C 154	CKSQYB104K16	L 3	Inductor
C 157	CEJA3R3M50	L 4	Coil
C 158	CKSYB474K16	L 5	Coil
C 159	CEJA220M6R3	L 6	Inductor
C 160	CKSQYB104K16	L 51	Ferri-Inductor
C 161	CKSQYB104K16	L 201	Ferri-Inductor
C 162	CEJA3R3M50	L 202	Ferri-Inductor
C 163	CKSRYPB102K50	L 203	Inductor
C 170	CCSRCH100D50	L 208	Inductor
C 201	CCSRCH471J50	L 231	Inductor
C 202	CCSRCH100D50	T 31	Coil
C 203	CKSRYPB332K50	T 51	Coil
C 204	CKSQYB473K16	CF 51	Ceramic Filter
C 205	CKSQYB473K16	CF 52	Ceramic Filter
C 206	CKSQYB104K16	CF 53	Ceramic Filter
C 207	CCSRCH560J50	CF 232	Ceramic Filter
C 209	CKSQYB104K16	X 151	Radiator 918.5Hz
C 211	CCSRCH101J50	X 231	Crystal Resonator 10.26MHz
C 212	CEJA470M6R3	VR 154	Semi-fixed 150kΩ(B)
C 213	CKSRYPB103K25		
C 216	CCSRCH101J50		
C 217	CEJA1R5M50		
C 219	CCSRCH471J50		
C 220	CKSRYPB103K25		
C 230	CKSRYPB103K25		
C 231	CCSRCH330J50		
C 232	CCSRCH150J50		
C 233	CKSQYB104K16		
C 234	CEJA330M10		
C 235	CKSRYPB332K50		
C 236	CKSQYB473K16		
C 237	CCSRCH120J50		
C 239	CKSRYPB472K50		
C 240	CEJAR47M50		
C 241	CKSQYB104K16		
C 242	CEJAR47M50		
C 243	CEJAR33M50		
C 244	CKSQYB473K16		
C 245	CKSRYPB333K16		
C 246	CKSQYB473K16		
C 250	CCSRCH471J50		
		RESISTORS	
		R 1	RS1/16S225J
		R 2	RS1/16S225J
		R 4	RS1/16S154J
		R 5	RS1/16S391J
		R 6	RS1/16S223J
		R 7	RS1/16S123J
		R 8	RS1/16S332J
		R 9	RS1/16S473J
		R 10	RS1/16S223J
		R 11	RS1/16S124J
		R 13	RS1/16S563J
		R 15	RS1/16S271J
		R 16	RS1/16S104J
		R 17	RS1/16S332J
		R 18	RS1/16S332J
		R 31	RS1/16S470J
		R 32	RS1/16S822J
		R 33	RS1/16S822J
		R 34	RS1/16S331J
		R 35	RS1/16S331J
		R 51	RS1/16S271J
		R 52	RS1/16S560J
		R 55	RS1/16S102J
		R 56	RS1/16S823J
		R 61	RS1/16S392J
		R 62	RS1/16S273J
		R 101	RS1/16S272J
		R 102	RS1/16S682J
		R 103	RS1/16S333J
		R 104	RS1/16S334J
		R 105	RS1/16S683J
		R 107	RS1/16S222J
		R 151	RS1/16S222J
		R 152	RS1/16S393J
		R 155	RS1/16S273J
		R 156	RS1/16S243J
		R 157	RS1/16S203J
		R 160	RS1/16S222J
		R 161	RS1/16S563J
		R 162	RS1/16S105J

**B** Unit Number : CWE1486 (KEH-P3850/X1M/ES)  
Unit Name : FM/AM Tuner Unit

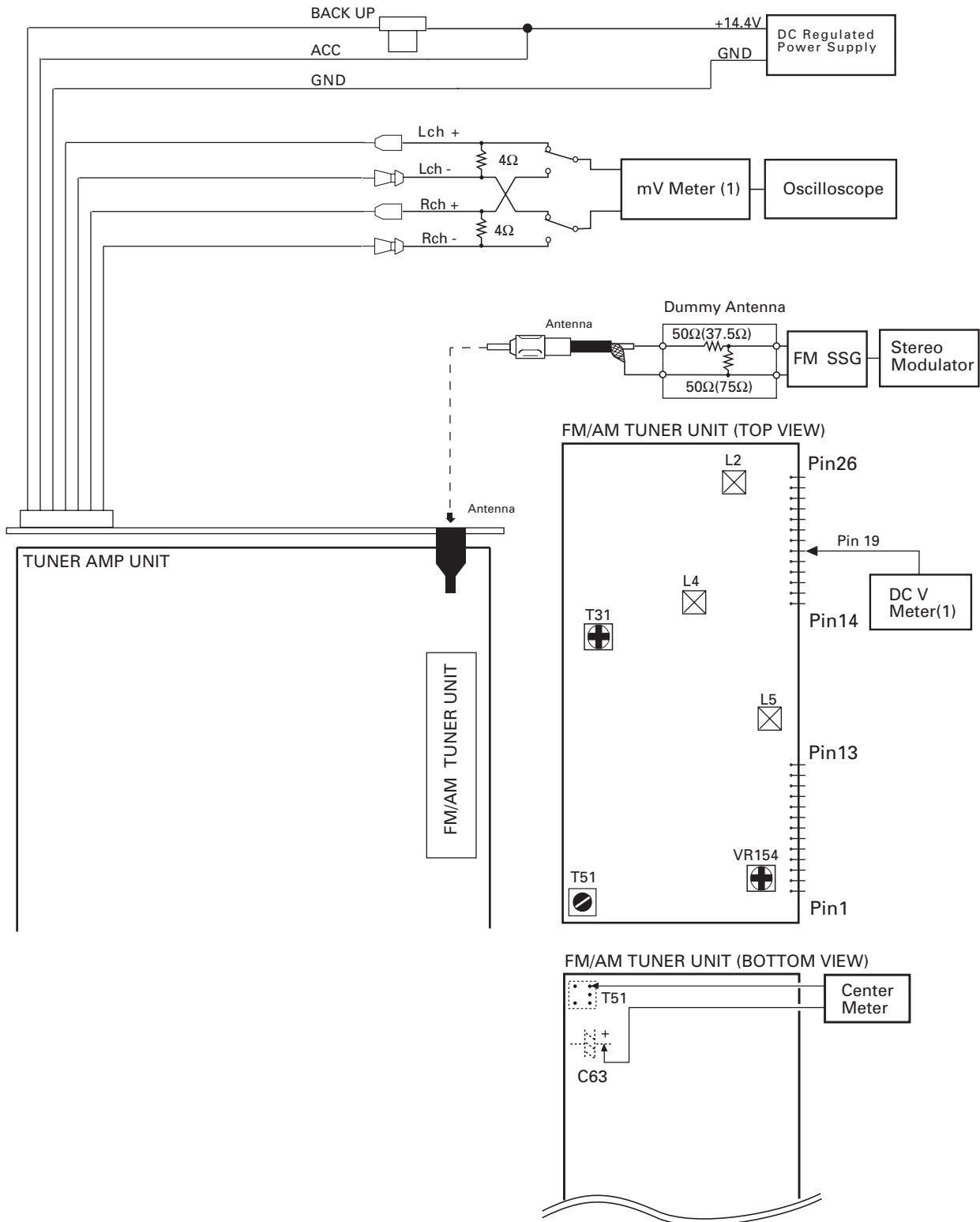
## MISCELLANEOUS

IC 1	IC	PA4023B	R 62	RS1/16S273J
IC 2	IC	PA4024A	R 101	RS1/16S272J
Q 1	Transistor	2SC2412K	R 102	RS1/16S682J
Q 2	Transistor	DTC124EU	R 103	RS1/16S333J
Q 3	FET	3SK263	R 104	RS1/16S334J
Q 31	Transistor	2SC2412K	R 105	RS1/16S683J
Q 201	FET	2SK932	R 107	RS1/16S222J
Q 202	Transistor	2SC2412K	R 151	RS1/16S222J
Q 203	Transistor	DTC124EU	R 152	RS1/16S393J
D 1	Diode	RD39JS	R 155	RS1/16S273J
D 2	Diode	RD39JS	R 156	RS1/16S243J
D 4	Diode	1SV250	R 157	RS1/16S203J
D 5	Diode	KV1410-F1	R 160	RS1/16S222J
D 6	Diode	MA157	R 161	RS1/16S563J
D 7	Diode	KV1410-F1	R 162	RS1/16S105J

====Circuit Symbol and No.====Part Name	Part No.	====Circuit Symbol and No.====Part Name	Part No.
R 163	RS1/16S223J	C 107	CKSRYP103K25
R 202	RS1/16S223J	C 151	CKSRYP472K50
R 203	RS1/16S225J	C 152	CKSQYB104K16
R 204	RS1/16S103J	C 153	CEJA3R3M50
R 206	RS1/16S220J	C 154	CKSQYB104K16
R 207	RS1/16S101J	C 157	CEJA3R3M50
R 208	RS1/16S102J	C 158	CKSYB474K16
R 209	RS1/16S471J	C 159	CEJA220M6R3
R 214	RS1/16S822J	C 160	CKSQYB104K16
R 215	RS1/16S822J	C 161	CKSQYB104K16
R 217	RS1/16S102J	C 162	CEJA3R3M50
R 231	RS1/16S272J	C 163	CKSRYP102K50
R 232	RS1/16S473J	C 170	CCSRCH100D50
R 237	RS1/16S103J	C 201	CCSRCH471J50
R 238	RS1/16S104J	C 202	CCSRCH100D50
R 239	RS1/16S104J	C 203	CKSRYP332K50
R 240	RS1/16S332J	C 204	CKSQYB473K16
R 241	RS1/16S202J	C 205	CKSQYB473K16
R 243	RS1/16S183J	C 206	CKSQYB104K16
R 244	RS1/16S392J	C 207	CCSRCH560J50
R 247	RS1/16S123J	C 209	CKSQYB104K16
		C 211	CCSRCH101J50
		C 212	CEJA470M6R3
		C 213	CKSRYP103K25
		C 216	CCSRCH101J50
		C 217	CEJA1R5M50
		C 219	CCSRCH471J50
		C 220	CKSRYP103K25
		C 230	CKSRYP103K25
		C 231	CCSRCH330J50
		C 232	CCSRCH150J50
		C 233	CKSQYB104K16
		C 234	CEJA330M10
		C 235	CKSRYP332K50
		C 236	CKSQYB473K16
		C 237	CCSRCH120J50
		C 239	CKSRYP472K50
		C 240	CEJAR47M50
		C 241	CKSQYB104K16
		C 242	CEJAR47M50
		C 243	CEJAR33M50
		C 244	CKSQYB473K16
		C 245	CKSRYP333K16
		C 246	CKSQYB473K16
		C 250	CCSRCH471J50
<b>CAPACITORS</b>			
C 1	CCSQCH6R0D50		
C 2	CCSRCK2R0C50		
C 4	CCSRCH820J50		
C 6	CCSRCH820J50		
C 8	CKSRYP103K25		
C 9	CKSQYB104K16		
C 10	CCSRCKR50C50		
C 11	CEJA1R0M50		
C 12	CKSRYP222K50		
C 13	CKSRYP222K50		
C 14	CCSRCH220J50		
C 15	CCSRCH6R0D50		
C 16	CCSRCH8R0D50		
C 17	CKSRYP222K50		
C 18	CKSRYP103K25		
C 19	CKSRYP222K50		
C 20	CKSRYP222K50		
C 21	CEJA100M16		
C 22	CCSRTH9R0D50		
C 23	CCSRTH120J50		
C 24	CCSRCH471J50		
C 25	CKSRYP103K25		
C 31	CKSRYP103K25		
C 32	CKSQYB472K50		
C 33	CCSRCH5R0C50		
C 34	CKSQYB104K16		
C 36	CCSRRH201J50		
C 51	CKSRYP223K25		
C 52	CKSRYP103K25		
C 54	CCSRCH470J50		
C 55	CKSQYB223K25		
C 56	CKSQYB104K16		
C 57	CKSRYP472K50		
C 58	CEJA330M10		
C 59	CKSRYP103K25		
C 60	CKSRYP102K50		
C 61	CCSRCH270J50		
C 62	CKSRYP103K25		
C 63	CEJAR22M50		
C 101	CEJANP100M10		
C 102	CKSRYP182K50		
C 103	CKSRYP682K25		
C 104	CEJA2R2M50		
C 105	CKSRYP103K25		
C 106	CCSRCH151J50		
		<b>D</b> Unit Number :	
		Unit Name : Cassette PCB	
		S 1 Switch(Load)	ESN1016
		S 2 Switch(Mute)	ESN1017
		S 3 Switch(FWD/REV)	ESH1006
		S 4 Switch(Eject)	ESG1006
		R 1	RD1/4HM472J
		<b>Miscellaneous Parts List</b>	
		M 1 Motor Unit	EXA1467
		HD 1 Head Assy	EXA1466
		FU 951 Fuse 10A	CEK1136

## 6. ADJUSTMENT

### ● Connection Diagram





**FM ADJUSTMENT**

Modulation M:MONO MOD., 400Hz 30%(22.5kHz Dev.) or 400Hz 100%(75kHz Dev.)

S:STEREO MOD., 1kHz, L or R=30%(20.25kHz+7.5kHz Dev.)

NOTE:Before proceeding to further adjustments after switching power ON, let the tuner run for ten minutes to allow the circuits to stabilize.

**FM ADJUSTMENT(UC MODEL)**

	No.	FM SSG		Displayed Frequency(MHz)	Adjustment Point	Adjustment Method (Switch Position)
		Frequency(MHz)	Level(dBf)			
TUN Volt	1	.....	.....	107.9	L5	DC V Meter(1) : 6V
IF	2	98.1 M	60—100	98.1	T51	Center Meter : 0
ANT Coil	3	98.1 M	5	98.1	L2	mV Meter(1) : Maximum
RF Coil	4	98.1 M	5	98.1	L4	mV Meter(1) : Maximum
IFT	5	98.1 M	5	98.1	T31	mV Meter(1) : Maximum (STEREO MODE)
ARC	6	98.1 S	40	98.1	VR154	mV Meter(1) : Separation 5dB (STEREO MODE)

**FM ADJUSTMENT(ES MODEL)**

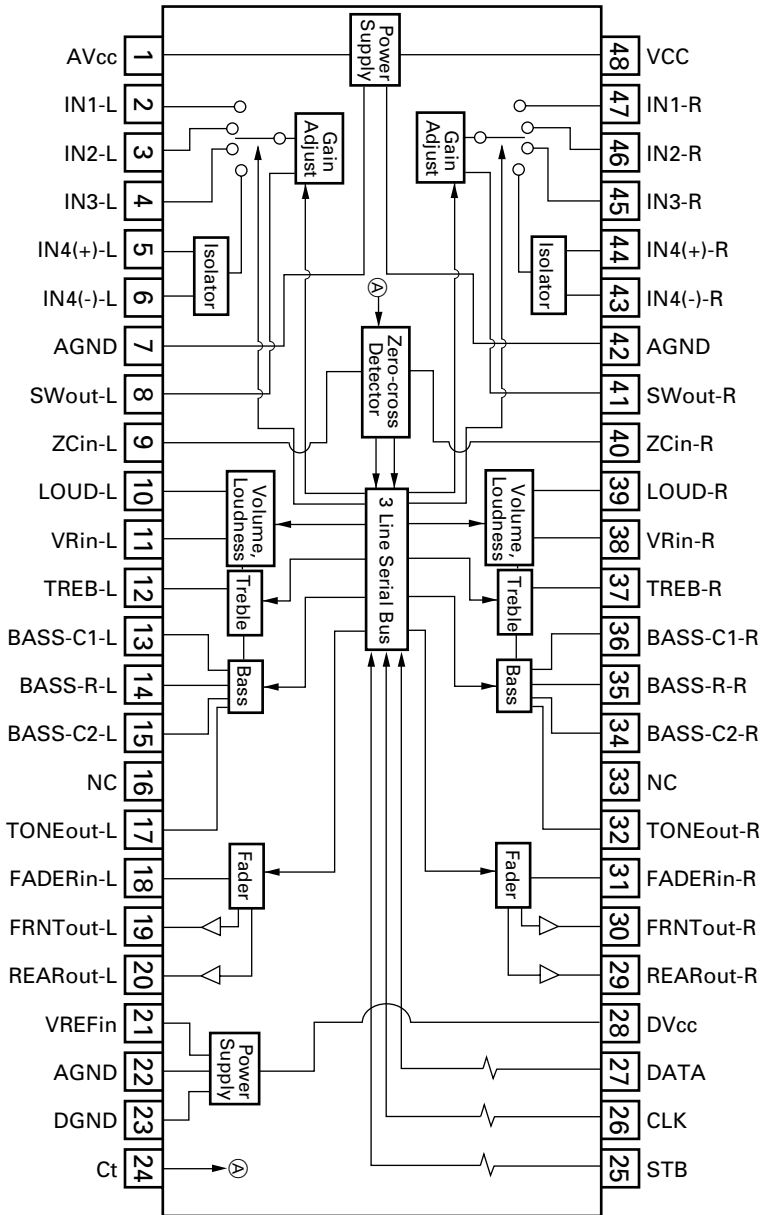
	No.	FM SSG		Displayed Frequency(MHz)	Adjustment Point	Adjustment Method (Switch Position)
		Frequency(MHz)	Level(dBf)			
TUN Volt	1	.....	.....	108.0	L5	DC V Meter(1) : 6V
IF	2	98.1 M	60—100	98.1	T51	Center Meter : 0
ANT Coil	3	98.1 M	5	98.1	L2	mV Meter(1) : Maximum
RF Coil	4	98.1 M	5	98.1	L4	mV Meter(1) : Maximum
IFT	5	98.1 M	5	98.1	T31	mV Meter(1) : Maximum (STEREO MODE)
ARC	6	98.1 S	40	98.1	VR154	mV Meter(1) : Separation 5dB (STEREO MODE)

## 7. GENERAL INFORMATION

### 7.1 PARTS

#### 7.1.1 IC

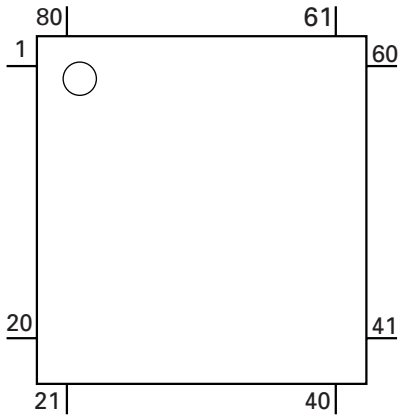
SN761029DL



## ● Pin Functions(PE5015A)

Pin No.	Pin Name	I/O	Format	Function and Operation
1,2	NC			Not used
3	ADPW			A/D converter power
4	GND			GND
5,6	NC			Not used
7	AVREF1			(Connect to VDD)
8	KYDT	I		Key data input
9	DPDT	O	C	Display data output
10	DSENS	I		Grille detach sense input
11	TUNPDI	I		PLL IC data input
12	TUNPDO	O	C	PLL IC data output
13	TUNPCK	O	C	PLL IC clock output
14	TUNPCE	O	C	PLL IC chip enable output
15,16	NC			Not used
17	TX	O	C	IP BUS data output
18-21	NC			Not used
22	SWVDD	O	C	Grille power supply control output
23	NC			Not used
24	VDT	O	C	Data output for electronic volume
25	VCK	O	C	Clock output for electronic volume
26	VST	O	C	Strobe pulse output for electronic volume
27	SYSPW	O	C	System power supply control output
28	MUTE	O	C	System mute output
29	DMINH	O	C	Mechanism mute cancel output
30-32	NC			Not used
33	GND			GND
34-37	NC			Not used
38	FM	O	C	FM power control output
39	AM	O	C	AM power control output
40	ASENBO	O	C	Slave power supply control output
41-49	NC			Not used
50	EJECT	I		Eject key input
51	TAPLD	I		Tape loading input
52	MECPW	O	C	Cassette mechanism power output
53	MCMUT	I		Mechanism mute input
54	NOR/REV	I		Normal reverse input
55-59	NC			Not used
60	RESET	I		Reset input
61	RX	I		IP BUS data input
62	NC			Not used
63	CLKIN	I		Clock input
64	ASENS	I		ACC power sense input
65	BSENS	I		Back up power sense input
66	SD	I		SD input
67	ST	I		FM stereo input
68	VDD			Power supply
69	X2			Oscillator output
70	X1			Oscillator input
71	GND			GND
72	NC			Not used
73	TESTIN	I		Test program mode input
74	AVDD			A/D converter analog power supply (VDD)
75	AVREF0			(A/D converter standard voltage input)
76	SL	I		Signal level input
77	MODEL	I		Model select input
78-80	NC			Not used

\*PE5015A



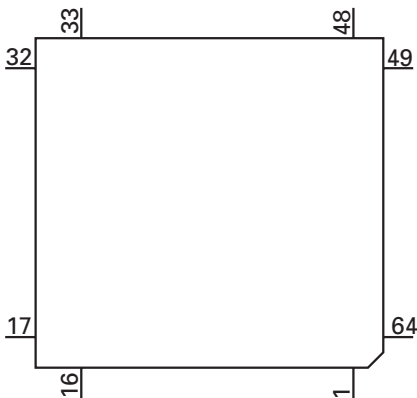
Format	Meaning
C	C MOS

IC's marked by\* are MOS type.  
Be careful in handling them because they are very liable to be damaged by electrostatic induction.

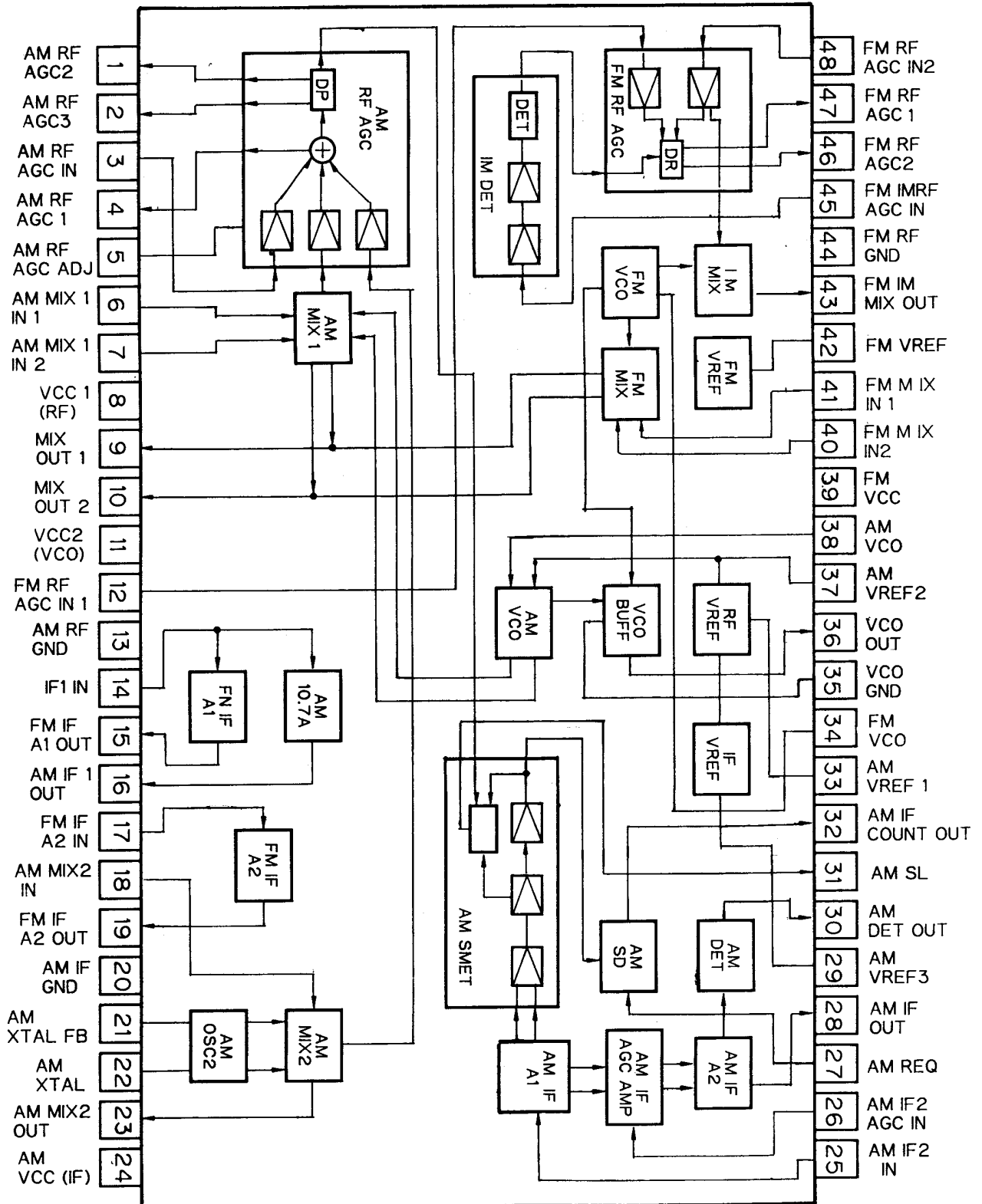
● Pin Functions (PD6293A)

Pin No.	Pin Name	I/O	Function and Operation
1-5	SEG4-0	O	LCD segment output 4-0
6-8	COM1-3	O	Common driver output 1-3
9	COM0	O	Common driver output 0
10	LCDB		LCD bias power supply
11-14	KS3-0	O	Key strobe output 3-0
15,16	KDT0,1	I	Key data input 0,1
17	REM	I	Remote control reception
18	DPDT	I	Display data input
19	NC		Not used
20	KYDT	O	Key data output
21	MODA		GND
22	X0		Crystal oscillator connection pin
23	X1		Crystal oscillator connection pin
24	VSS		GND
25,26	KDT2,3	I	Key data input 2,3
27,28	KST5,4	O	Key strobe output 5,4
29-55	SEG39-13	O	LCD segment output 39-13
56	VCC		5V
57-64	SEG12-5	O	LCD segment output 12-5

\*PD6293A



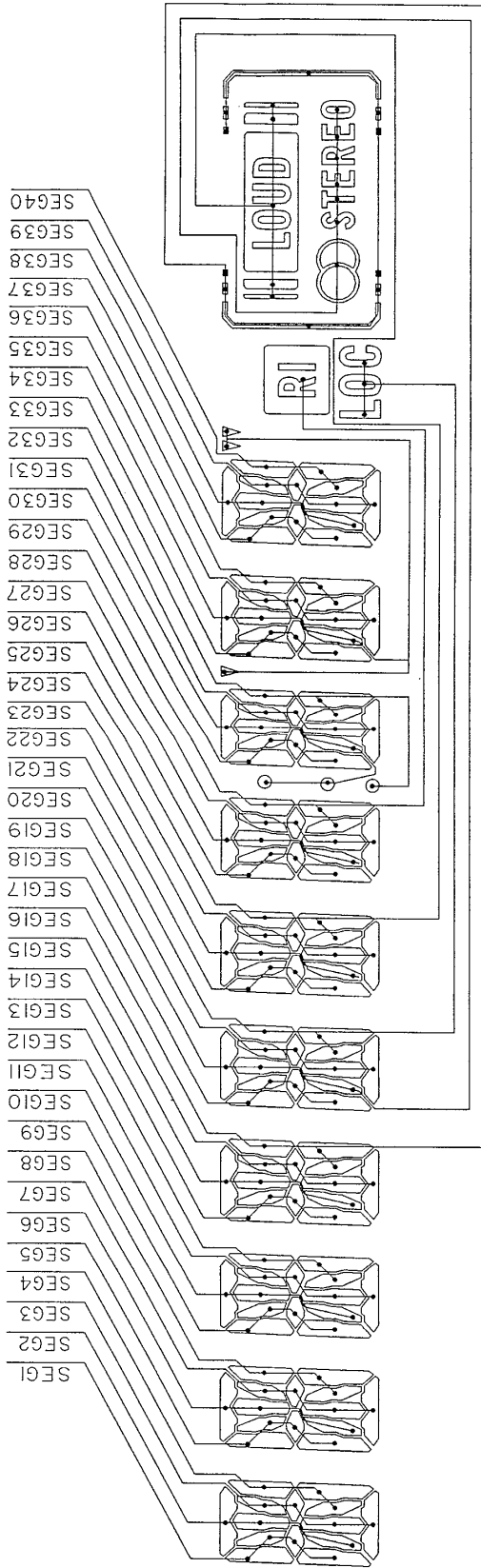
PA4023B



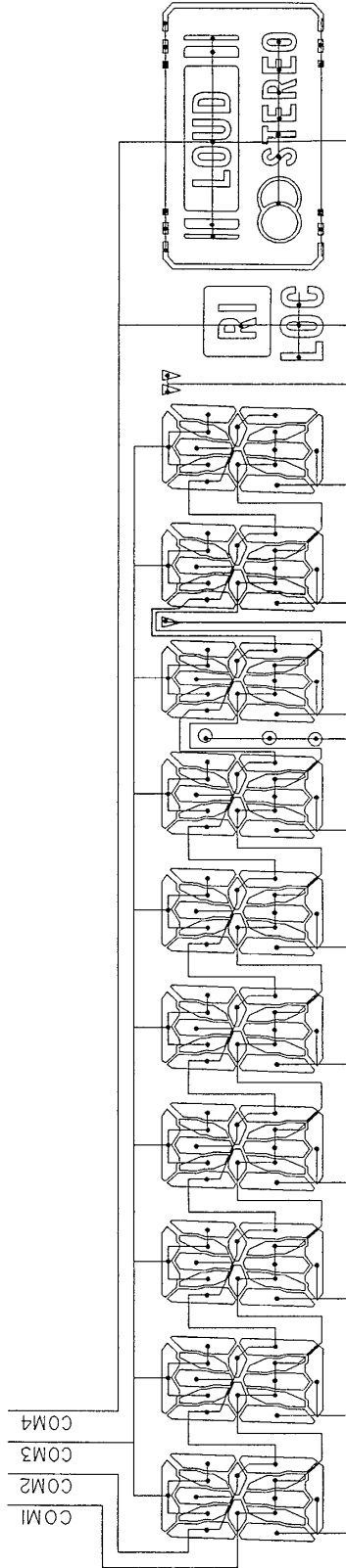
### 7.1.2 DISPLAY

● CAW1513

SEGMENT



COMMON



## 7.2 DISASSEMBLY

### ● Removing the Case(not shown)

- 1.Remove the three screws.
- 2.Remove the Case.

### ● Removing the Cassette Mechanism Assy (not shown)

- 1.Remove the four screws.
- 2.Disconnect the connector, and then removing the Cassette Mechanism Assy.

### ● Removing the Panel Unit(Fig.1)

- 1** Disengage the stopper at two locations indicated
- 2** Remove the Panel Unit.

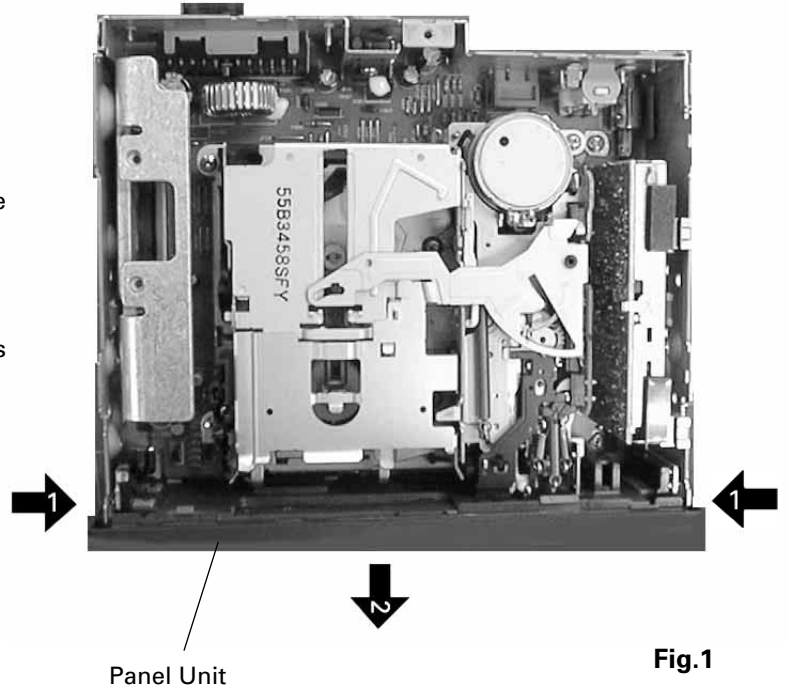


Fig.1

### ● Removing the Tuner Amp Unit(Fig.2)

- 1** Removing the two screws.
- 2** Removing the three screws.
- 3** Removing the screw.
- 4** Unbend the tabs at four locations indicated by arrow until straight. Remove the Tuner Amp Unit.

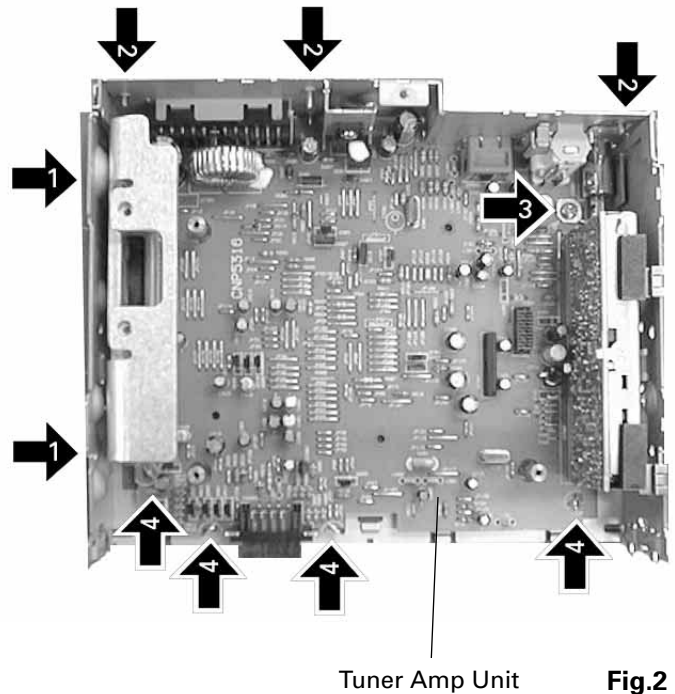
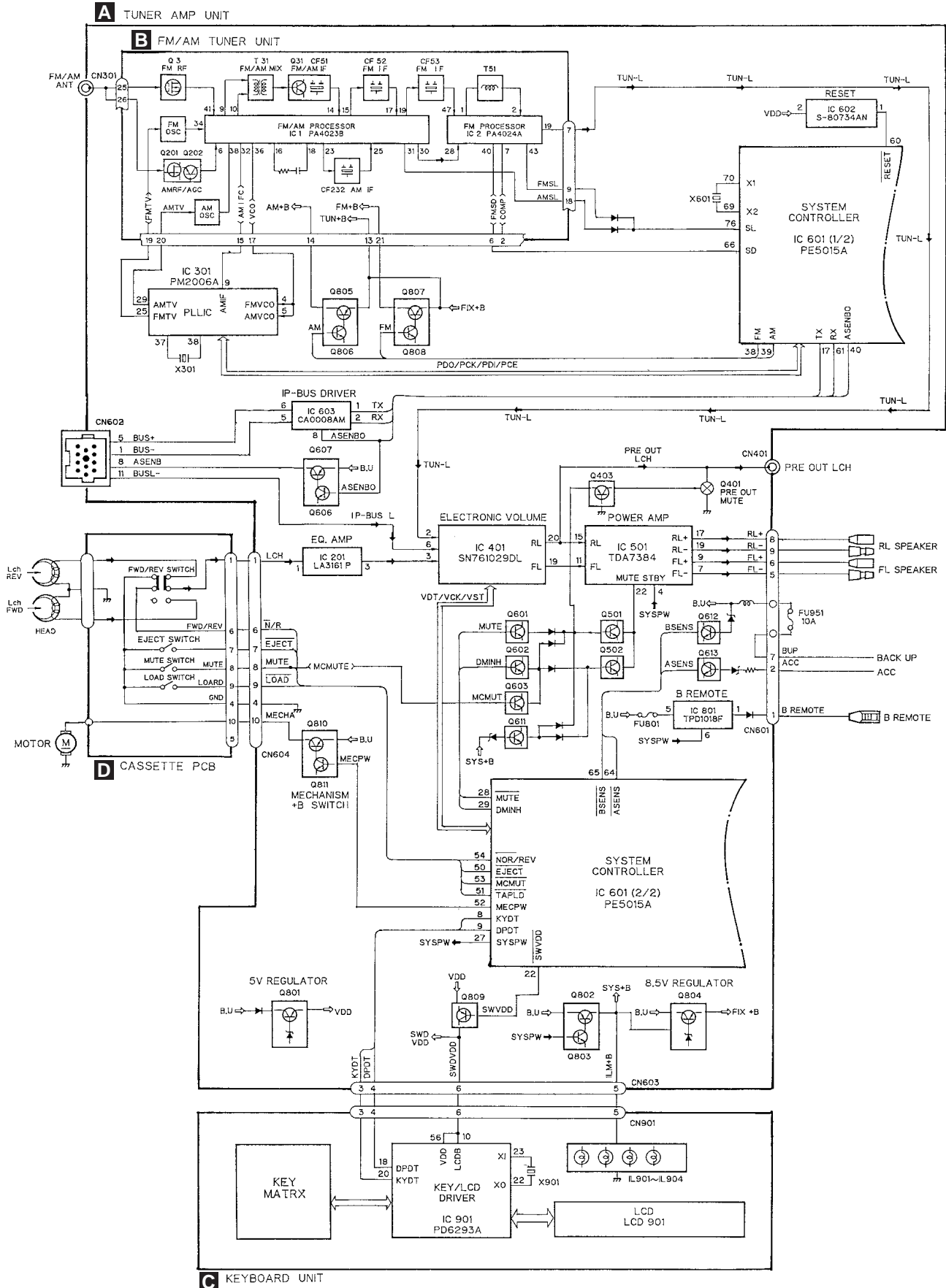


Fig.2

7.3 EXPLANATION

7.3.1 BLOCK DIAGRAM

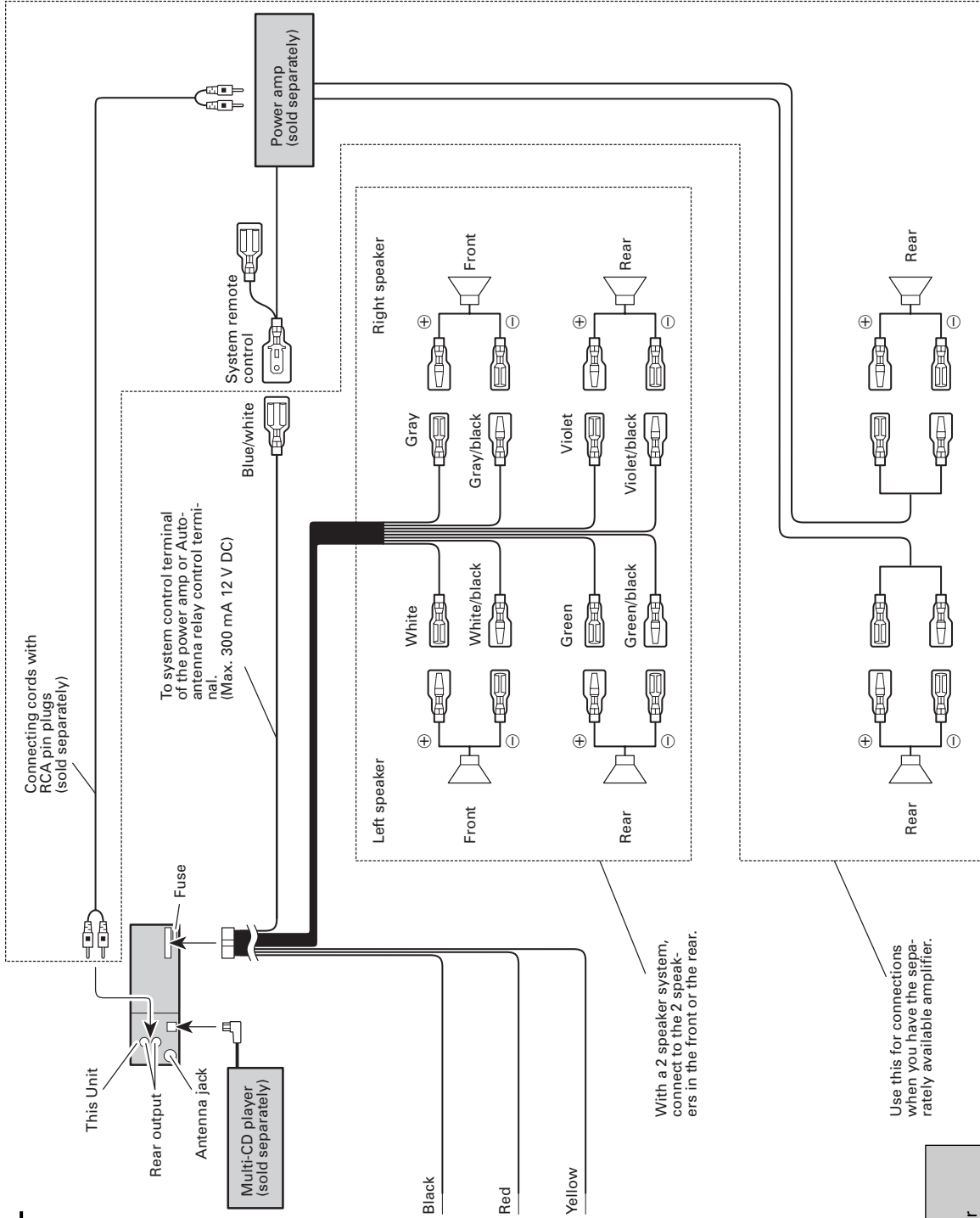
● KEH-P2800/X1M/UC





# 8. OPERATIONS AND SPECIFICATIONS

## Connection Diagram



Connecting cords with RCA pin plugs (sold separately)

To system control terminal of the power amp or Auto-antenna relay control terminal. (Max. 300 mA 12 V DC)

This Unit

Rear output

Antenna jack

Fuse

Multi-CD player (sold separately)

Power amp (sold separately)

System remote control

Blue/white

Left speaker Front Rear

Right speaker Front Rear

Black

Red

Yellow

To vehicle (metal) body.

To electric terminal controlled by ignition switch (12 V DC) ON/OFF.

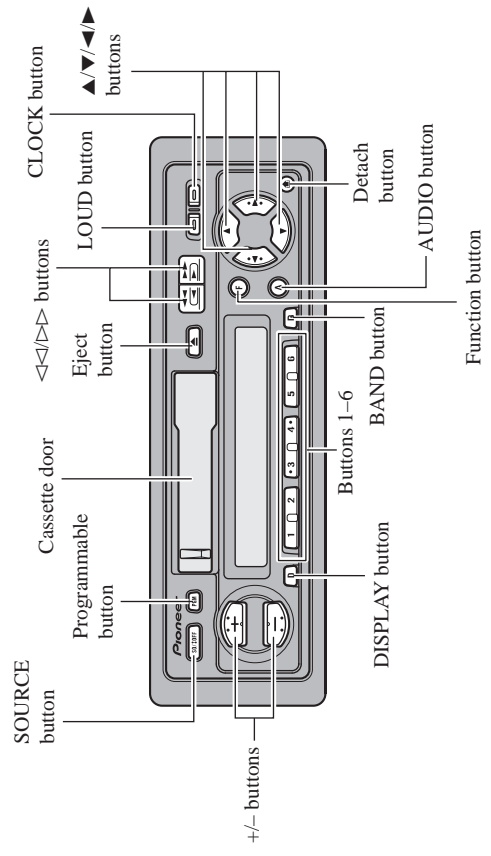
To terminal always supplied with power regardless of ignition switch position.

With a 2 speaker system, connect to the 2 speakers in the front or the rear.

Use this for connections when you have the separately available amplifier.

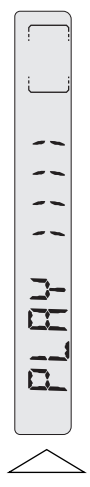
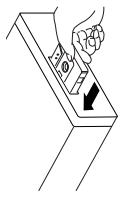
### CAUTION

- Cords for this unit and those for other units may be different colors even if they have the same function. When connecting this unit to another unit, refer to the supplied Installation manuals of both units and connect cords that have the same function.

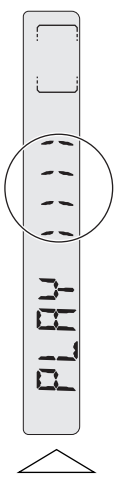


**Basic Operation of Cassette Player**

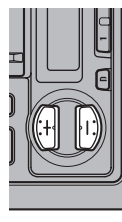
1. Insert the cassette tape.



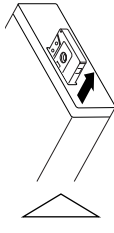
2. Switch tape playback from side A to side B, or vice versa.



3. Raise or lower the volume.



4. Remove the cassette tape.



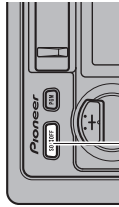
**Note:**

- The Tape function can be turned ON/OFF with the cassette tape remaining in this product.

## Tuner Operation

### Basic Operation of Tuner

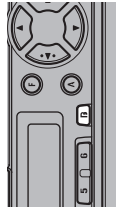
#### 1. Select Tuner.



Each press changes the Source ...

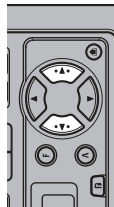
Frequency appears on the display. ("STEREO" indicator lights when a stereo station is selected.)

#### 2. Select the desired band.



F1 → FII → FIII → AM

#### 3. Tune the receiver to a higher or lower frequency.



This product's tuner lets you select the tuning by changing the length of the time you press the button.

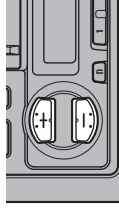
Manual Tuning (step by step)	0.3 seconds or less
Seek Tuning	0.3 – 2 seconds
Manual Tuning (continuously)	2 seconds or more

#### Note:

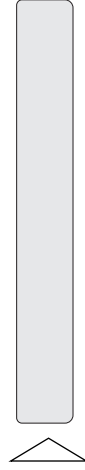
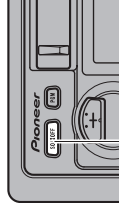
- To select a weak broadcasting station that cannot be tuned in with the Seek Tuning function, tune in with Manual Tuning.

## Tuner Operation

#### 4. Raise or lower the volume.



#### 5. Turn the source OFF.



Hold for 1 second

### Entering the Function Menu

In this menu you can select tuner functions.

- Select the desired mode in **Function Menu**.



Each press changes the Mode ...

Each press of the Function button selects the mode in the following order:  
BSM → LOCAL

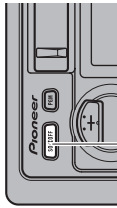
#### Note:

- You can cancel the Function Menu by pressing the BAND button.
- After selecting the Function Menu, if you do not perform an operation within about 30 seconds, the Function Menu is automatically canceled.

This product can control a CD player (one disc only).

### Basic Operation of CD Player

1. Select the CD player source.



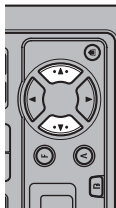
Each press changes the Source ...

SINGLE CD

#### Note:

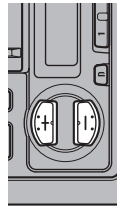
- The CD player is selected only when a CD is loaded.
- If the CD player cannot operate properly, an error message such as "ERROR 14" is displayed. Refer to the CD player owner's manual.

2. Reverse or advance track by track.



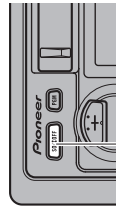
TRKS 0000

3. Raise or lower the volume.



VOLUME 12

4. Turn the source OFF.



Hold for 1 second

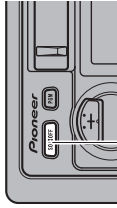
### Track Search and Fast-forward/Reverse

Besides Track Search convenience when searching for a desired track, this unit also lets you fast-forward and reverse through tracks to find a desired phrase or section of music.

This product can control one or more multi-CD players.

### Basic Operation of Multi-CD Players

1. Select the multi-CD player source.



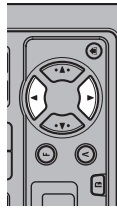
Each press changes the Source ...

M1 DISC 01

#### Note:

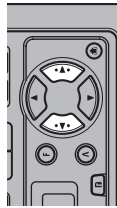
- The multi-CD player may perform a preparatory operation, such as verifying the presence of a disc or reading disc information, when the power is turned ON or a new disc is selected for playback. "READY" is displayed.
- If the multi-CD player cannot operate properly, an error message such as "ERROR 14" is displayed. Refer to the multi-CD player owner's manual.

2. Select the desired disc.



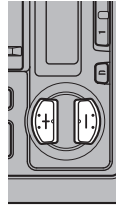
M1 DISC 03

3. Reverse or advance track by track.



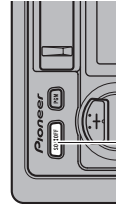
TRKS 0000

4. Raise or lower the volume.



VOLUME 12

5. Turn the source OFF.

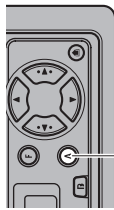


Hold for 1 second

## Audio Adjustment

### Selecting the Mode

- Select the mode you want to adjust.



Each press changes the Mode ...

Each press of the AUDIO button selects the mode in the following order:

Fader/Balance → Bass → Treble → Loudness

When audio modes are selected for adjustment, the setting returns to the normal display after 30 seconds.

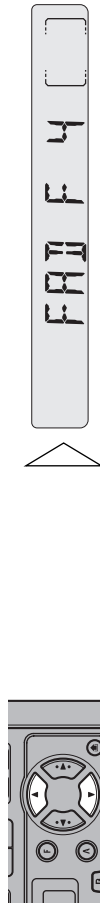
### Balance Adjustment

This function allows you to select a Fader/Balance setting that provides ideal listening conditions in all occupied seats.

1. Select the Fader/Balance mode.

After adjustment use the BAND button to return to the normal display.

2. Shift the balance progressively to the front or rear speakers.

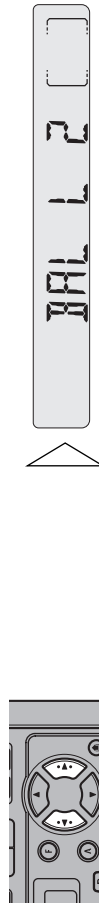


"FAD F15" – "FAD R15" is displayed as it moves from front to rear.

Note:

- "FAD 00" is the proper setting when 2 speakers are in use.

3. Shift the balance to the left or right speaker, respectively.



"BAL L9" – "BAL R9" is displayed as it moves from left to right.

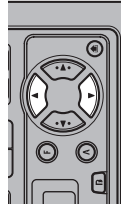
### Bass/Treble Adjustment

This product is equipped with two tone adjustment modes, the Bass Adjustment and Treble Adjustment modes.

1. Select "Bass Adjustment mode" or "Treble Adjustment mode".

After adjustment use the BAND button to return to the normal display.

2. Increase or decrease the intensity of the bass or treble, whichever is selected.



The display shows "+6" – "-6".

3. Repeat steps 1 – 2 above for the other Bass or Treble Adjustment mode.

### Loudness Adjustment

The Loudness function compensates for deficiencies in the low and high sound ranges at low volume.

- Switch the Loudness function ON or OFF.



Note:

- You can also switch the Loudness function ON/OFF in the Audio Adjustment Menu.

**General**

Power source ..... 14.4 V DC (10.8 – 15.1 V allowable)  
 Grounding system ..... Negative type  
 Max. current consumption ..... 8.5 A  
 Dimensions  
 (DIN) (chassis) ..... 178 (W) × 50 (H) × 150 (D) mm  
 [7 (W) × 2 (H) × 5-7/8 (D) in.]  
 (nose) ..... 188 (W) × 58 (H) × 19 (D) mm  
 [7-3/8 (W) × 2-1/4 (H) × 3/4 (D) in.]  
 (D) (chassis) ..... 178 (W) × 50 (H) × 155 (D) mm  
 [7 (W) × 2 (H) × 6-1/8 (D) in.]  
 (nose) ..... 170 (W) × 48 (H) × 14 (D) mm  
 [6-3/4 (W) × 1-7/8 (H) × 1/2 (D) in.]  
 Weight ..... 1.2 kg (2.6 lbs)

**Amplifier**

Continuous power output is 17 W per channel min. into 4 ohms, both channels driven 50 to 15,000 Hz with no more than 5% THD.  
 Maximum power output ..... 40 W × 4  
 Load impedance ..... 4 Ω (4 – 8 Ω allowable)  
 Preout maximum output level/output impedance ..... 2.2 V/1 kΩ

**Tone controls**

(Bass) ..... ±12 dB (100 Hz)  
 (Treble) ..... ±12 dB (10 kHz)  
 Loudness contour ..... +10 dB (100 Hz), +7 dB (10 kHz)  
 (volume: -30 dB)

**Cassette player**

Tape ..... Compact cassette tape (C-30 – C-90)  
 Tape speed ..... 4.76 cm/sec. (+0.14 cm/sec., -0.05cm/sec.)  
 Fast forward/rewinding time ..... Approx. 90 sec. for C-60  
 Wow & flutter ..... 0.13% (WRMS)  
 Frequency response ..... 40 – 14,000 Hz (±3 dB)  
 Stereo separation ..... 45 dB  
 Signal-to-noise ratio ..... 52 dB (IHF-A network)

**FM tuner**

Frequency range ..... 87.9 – 107.9 MHz  
 Usable sensitivity ..... 11 dBf (1.0 μV/75 Ω, mono, S/N: 30 dB)  
 50 dB quieting sensitivity ..... 16 dBf (1.7 μV/75 Ω, mono)  
 Signal-to-noise ratio ..... 70 dB (IHF-A network)  
 Distortion ..... 0.3% (at 65 dBf, 1 kHz, stereo)  
 Frequency response ..... 30 – 15,000 Hz (±3 dB)  
 Stereo separation ..... 40 dB (at 65 dBf, 1 kHz)  
 Selectivity ..... 70 dB (2ACA)  
 Three-signal intermodulation (desire signal level) ..... 30 dBf (two undesire signal level: 100 dBf)

**AM tuner**

Frequency range ..... 530 – 1,710 kHz  
 Usable sensitivity ..... 18 μV (S/N: 20 dB)  
 Selectivity ..... 50 dB

**Note:**

- Specifications and the design are subject to possible modification without notice due to improvements.

**General**

Power source ..... 14.4 V DC (10.8 – 15.1 V allowable)  
 Grounding system ..... Negative type  
 Max. current consumption ..... 8.5 A  
 Dimensions  
 (DIN) (chassis) ..... 178 (W) × 50 (H) × 150 (D) mm  
 (nose) ..... 188 (W) × 58 (H) × 19 (D) mm  
 (D) (chassis) ..... 178 (W) × 50 (H) × 155 (D) mm  
 (nose) ..... 170 (W) × 48 (H) × 14 (D) mm  
 Weight ..... 1.2 kg

**Amplifier**

Continuous power output is 17 W per channel min. into 4 ohms, both channels driven 50 to 15,000 Hz with no more than 5% THD.  
 Maximum power output ..... 40 W × 4  
 Continuous power output ..... 17 W × 4  
 (1% dist. at 1 kHz)  
 Load impedance ..... 4 Ω (4 – 8 Ω allowable)  
 Preout maximum output level/output impedance ..... 2.2 V/1 kΩ

**Tone controls**

(Bass) ..... + 8 -- 16 dB (100 Hz)  
 (Treble) ..... ±12 dB (10 kHz)  
 Loudness contour ..... +10 dB (100 Hz), +7 dB (10 kHz)  
 (volume: -30 dB)

**Cassette player**

Tape ..... Compact cassette tape (C-30 – C-90)  
 Tape speed ..... 4.76 cm/sec. (+0.14 cm/sec., -0.05cm/sec.)  
 Fast forward/rewinding time ..... Approx. 90 sec. for C-60  
 Wow & flutter ..... 0.13% (WRMS)  
 Frequency response ..... 40 – 14,000 Hz (±3 dB)  
 Stereo separation ..... 45 dB  
 Signal-to-noise ratio ..... 52 dB (IHF-A network)

**FM tuner**

Frequency range ..... 87.5 – 108 MHz  
 Usable sensitivity ..... 11 dBf (1.0 μV/75 Ω, mono, S/N: 30 dB)  
 50 dB quieting sensitivity ..... 16 dBf (1.7 μV/75 Ω, mono)  
 Signal-to-noise ratio ..... 70 dB (IHF-A network)  
 Distortion ..... 0.3% (at 65 dBf, 1 kHz, stereo)  
 Frequency response ..... 30 – 15,000 Hz (±3 dB)  
 Stereo separation ..... 40 dB (at 65 dBf, 1 kHz)

**AM tuner**

Frequency range ..... 531 – 1,602 kHz (9 kHz)  
 Usable sensitivity ..... 18 μV (S/N: 20 dB)  
 Selectivity ..... 50 dB (±10 kHz)  
 50dB (±10 kHz)

**Note:**

- Specifications and the design are subject to possible modification without notice due to improvements.