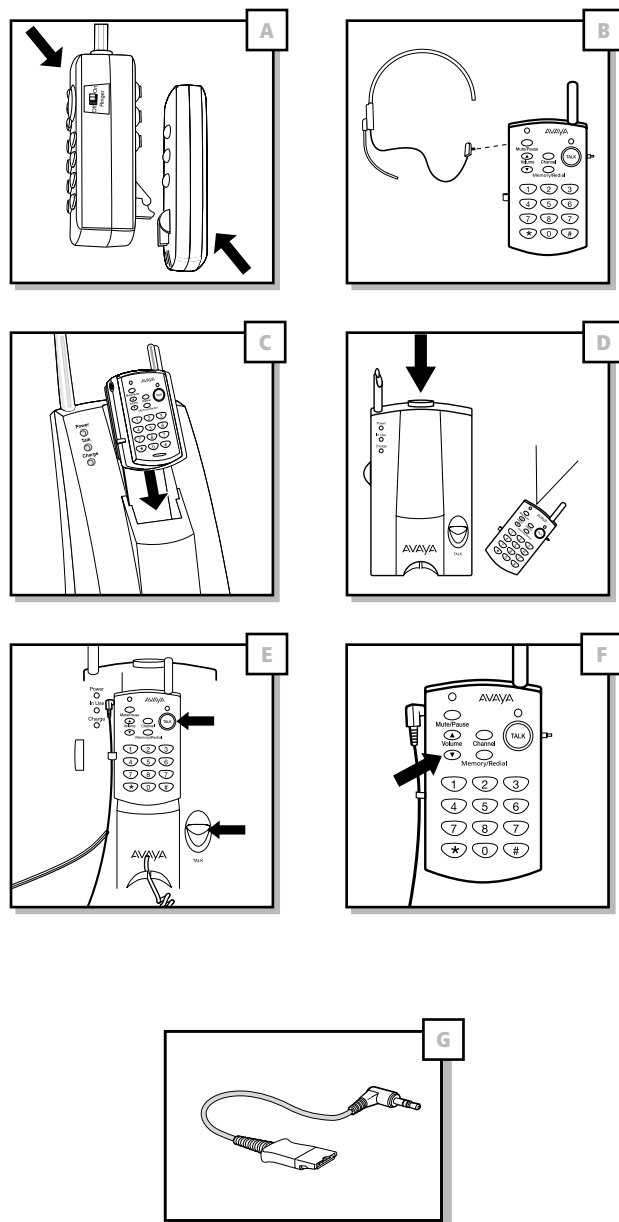


# Cordless Telephone Headset Amplifier

Model  
LKA10

User Guide



## INSTALLATION

### FOR LUCENT/AVAYA 64XX SERIES TELEPHONES WITH A SEPARATE HEADSET JACK

#### SETUP (REFER TO FIGURE 1)

1. Connect the LKA10 Amplifier to your telephone using Figure 1.
2. Using the Short Cord (23) provided, plug one end into the LKA10 Telephone Jack (24) and the other end into your telephone's Headset Jack (2).
3. Plug the Ring Detector (22) into the LKA10 "Ring Detector or Handset" Jack (2).
4. Now connect the AC Adapter (25) to the LKA10 AC Adapter Jack (26) and into a wall outlet. The Power Indicator (7) will light.
5. Peel the backing from one end of the Ring Detector (22) and stick it to the center of the telephone's ringer or speaker.
6. Make sure that the Handset/Ring Detector Configuration Switch (21) is in position B (the ring detector position).
7. Make sure to remove the battery insulator pull tab located between the Remote Unit and the Battery Pack (2).
8. Gently slide the Remote Unit and Battery Pack into the Remote Unit Charging Well (2) until the Charge Indicator (2) lights.
9. Connect your Headset to the Remote Unit Headset Jack (3). Press the Headset Cable into the Headset Cable Retainer (7). If you are using a Headset whose cable terminates in a Quick Disconnect™ (QD) module, you will need the QD to 2.5mm Headset Adapter Cable (24) provided.

**Note:** Remote Unit must remain in the Base for 5 seconds to establish a communications link before the system can function.

Prior to first use, the Battery must charge for 8 hours before the Remote will operate away from the Base. You may, however, use the Remote while it is in the Charging Well. (**Note:** May increase charging time.) The Charge LED will turn off after the Battery is fully charged. You are now ready to make or receive calls.

#### PLACING A CALL

1. With your headset in position, press the Talk Button on either the Remote (1) or the Base Unit (2). The Talk Indicator Lights on the Remote (1) and Base Unit (2) will light and you will hear a dial tone.
2. If you do not hear a dial tone, see Troubleshooting section.
3. Dial a co-worker. When your party answers, speak normally.
4. If you do not sound loud enough, or if you sound too loud, adjust the transmit level with the Talk Volume Control (7) on the Base Unit.
5. Adjust the volume of your co-worker's voice by using the Listen Volume Control Buttons (6) on the Remote Unit.
6. Upon completion of the call, press the Talk Button on either the Remote (1) or the Base Unit (2). The Talk Indicator Lights on the Remote (1) and Base Unit (2) will go out.

**Note: Be sure to end the call by pressing the Talk Button on either the Remote (1) or Base Unit (2). If you hang up by pressing the "Headset" key on your telephone, the Remote will remain on, discharging the battery.**

#### RECEIVING A CALL

1. With your headset in position, when you have an incoming call, press the Talk Button on either the Remote (1) or the Base Unit (2). The Talk Indicator Lights on the Remote (1) and Base Unit (2) will light. Begin speaking.
  2. Upon completion of the call, press the Talk Button on either the Remote (1) or the Base Unit (2). The Talk Indicator Lights on the Remote (1) and Base Unit (2) will go out.
- Note: Be sure to end the call by pressing the Talk Button on either the Remote (1) or Base Unit (2). If you hang up by pressing the "Headset" key on your telephone, the Remote will remain on, discharging the battery.**

## SPECIAL BUTTONS

### RECEIVE VOLUME CONTROL ON THE REMOTE UNIT (6)

The volume control buttons allow you to adjust the sound level that you hear through the headset. This feature is especially useful for people who have trouble hearing, or are in a noisy area like a workshop. To increase volume, push the "▲" Key on the Remote Unit. Press again until the volume is comfortable. To decrease volume, push the "▼" Key on the Remote Unit. Press again until the volume is comfortable.

### MUTE/PAUSE ON THE REMOTE UNIT (4)

The Mute/Pause Button (4) stops voice transmission to the receiving party. When mute is activated, the Mute Indicator (4) is on. Press the Mute/Pause Button (4) again to deactivate the mute function.

### CHANNEL ON THE REMOTE UNIT (5)

The LKA10 has an auto scan feature that automatically selects a clear channel when you press the Talk Button (1) when the Manual Channel Settings (27) are "0/0". If you experience interference during a call, press the Channel Button (5) to switch to another channel until you have good reception.

### MEMORY/REDIAL ON THE REMOTE UNIT (8)

The speed dial memory can store up to 10 phone numbers, containing a maximum of 16 digits.

#### TO STORE NUMBERS

The Talk Indicator light (1) should be off. If it is not off, press the Talk Button (1) once to turn it off. Press the Memory/Redial Button (8) followed by the number you want to store. Press the Memory/Redial Button (8) followed by the one digit number (0-9) on the Remote Unit keypad that you wish to assign to that number. Press the Mute/Pause Button (4) to store one or more pauses between digits in memory. When a stored number is dialed from memory, for each pause stored the unit will pause about half a second before dialing

### FOR OTHER LUCENT/AVAYA TELEPHONES

#### SETUP (REFER TO FIGURE 2)

1. (Optional) Install Lifter: We recommend using a Lifter (see Supplies And Accessories section) with your LKA10 to allow you to place and answer calls while away from your phone. If you have a Lifter, install it first, following the instructions packed with the unit.
2. Connect the LKA10 Amplifier to your telephone using Figure 2.
3. Unplug the telephone handset from the jack on your telephone base (1) and insert into the "Ring Detector or Handset" Jack (2).
4. Using the Short Cord (23) provided, plug one end into the LKA10 Telephone Jack (24) and the other end into your telephone's Handset Jack (3).
5. Now connect the AC Adapter (25) to the LKA10 AC Adapter Jack (26) and into a wall outlet. The Power Indicator (7) will light.
6. Make sure that the Handset/Ring Detector Configuration Switch (21) is in position A (the handset position).
7. Make sure to remove the battery insulator pull tab located between the Remote Unit and the Battery Pack (2).
8. Gently slide the Remote Unit and Battery Pack into the Remote Unit Charging Well (2) until the Charge Indicator (2) lights.
9. Connect your Headset to the Remote Unit Headset Jack (3). Press the Headset Cable into the Headset Cable Retainer (7). If you are using a Headset whose cable terminates in a Quick Disconnect™ (QD) module, you will need the QD to 2.5mm Headset Adapter Cable (24) provided.

**Note:** Remote Unit must remain in the Base for 5 seconds to establish a communications link before the system can function.

Prior to first use, the Battery must charge for 8 hours before the Remote will operate away from the Base. You may, however, use the Remote while it is in the Charging Well. (**Note:** May increase charging time.) The Charge LED will turn off after the Battery is fully charged. You are now ready to make or receive calls.

#### PLACING A CALL

1. With your headset in position, place the handset off-hook.
2. Press the Talk Button on either the Remote (1) or the Base Unit (2). The Talk Indicator Lights on the Remote (1) and Base Unit (2) will light and you will hear a dial tone.
3. If you do not hear a dial tone, see Troubleshooting section.
4. Dial a co-worker. When your party answers, speak normally.
5. If you do not sound loud enough, or if you sound too loud, adjust the transmit level with the Talk Volume Control (7) on the Base Unit.
6. Adjust the volume of your co-worker's voice by using the Listen Volume Control Buttons (6) on the Remote Unit.
7. Upon completion of the call, replace the handset and press the Talk Button on either the Remote (1) or the Base Unit (2). The Talk Indicator Lights on the Remote (1) and Base Unit (2) will go out.

**Note: Be sure to end the call by pressing the Talk Button on either the Remote (1) or Base Unit (2). If you hang up by replacing the handset on your telephone, the Remote will remain on, discharging the battery.**

#### RECEIVING A CALL

1. With your headset in position, when you have an incoming call, place the handset off-hook.
  2. Press the Talk Button on either the Remote (1) or the Base Unit (2). The Talk Indicator Lights on the Remote (1) and Base Unit (2) will light. Begin speaking.
  3. Upon completion of the call, replace the handset and press the Talk Button on either the Remote (1) or the Base Unit (2). The Talk Indicator Lights on the Remote (1) and Base Unit (2) will go out.
- Note: Be sure to end the call by pressing the Talk Button on either the Remote (1) or Base Unit (2). If you hang up by replacing the handset on your telephone, the Remote will remain on, discharging the battery.**

## SPECIAL BUTTONS

the next number. Each pause occupies the same memory space as a single stored digit. You can repeat the process for storing numbers until you have stored 10 numbers.

#### TO CHANGE STORED NUMBERS

To change a number stored in memory, simply store a new number in that memory location.

#### TO DIAL STORED NUMBERS

Press the Talk Button (1). The Talk Indicator (1) will light up.

When you hear the dial tone, press the Memory/Redial Button (8) then press the single digit (0-9) memory location button.

The stored number you have selected will be automatically dialed.

#### TO DIAL A STORED NUMBER DURING A CALL

The memory recall function also works when additional numbers are required during a call, such as a numeric password. At the appropriate time during the call press the Memory/Redial Button (8) and the assigned key to rapidly transmit the stored number.

#### THE REDIAL FUNCTION

Press the Talk Button (1) to get a dial tone.

To redial the last number dialed, press the Memory/Redial Button (8), then press the Memory/Redial Button (8) again.

#### PAGE ON THE BASE UNIT (18)

If someone at the Base Unit needs to summon you, pressing the Page Button (18) on the Base Unit momentarily causes the Remote Unit to emit two sets of beeps.

If you have misplaced the Remote, press the Page Button (18) on the Base Unit for 3 seconds and the Remote will beep continuously. Press the Talk Button (1) on the Remote once you have located it to stop the beeps.

**Note: Page is only functional when Remote Unit is off/not in use.**

**Avís:** L'étiquette d'Industrie Canada (IC) identifie le matériel homologué. Cette étiquette certifie que le matériel satisfait à certaines exigences de sécurité, de fonctionnement et de protection du réseau de télécommunications. Le ministre ne garantit pas que le matériel fonctionnera à la satisfaction de l'utilisateur. Avant d'installer ce matériel, les utilisateurs doivent s'assurer qu'il peut être raccordé aux installations de la compagnie locale de télécommunications. Le matériel doit également être installé selon une méthode de raccordement acceptée. Le client doit savoir que le respect des conditions ci-dessus ne peut pas prévenir la détérioration du service dans certaines conditions.

Les réparations de matériel homologué doivent être effectuées par un centre d'entretien canadien agréé désigné par le fournisseur. En cas de réparation ou de modification faite par l'utilisateur à ce matériel, ou de défauts de fonctionnement du matériel, la compagnie de télécommunications peut demander à l'utilisateur de débrancher le matériel.

Pour leur propre protection, les utilisateurs doivent s'assurer que les raccordements de mise à la terre des lignes d'électricité ou de téléphone et le système interne de tuyaux métalliques d'eau, le cas échéant, sont reliés ensemble. Cette précaution est particulièrement importante en région rurale.

**Avvertimento:** I utilizzatori non devono tentare di fare i cavi e i collegamenti elettrici e non devono comunicare con un ispettore elettrico o un elettricista, a meno che non sia necessario.

**Avís:** Le numéro d'équivalence de la sonnerie attribué à chaque dispositif terminal indique le nombre maximum de terminaux permis à se raccorder à un réseau téléphonique. La terminaison d'un réseau peut se composer de toute combinaison de dispositifs, mais le total des numéros d'équivalence de la sonnerie de tous les dispositifs ne doit pas dépasser 5.

**Ce dispositif doit être utilisé avec un téléphone certifié/homologué CSA, afin d'assurer la sécurité personnelle.**

## DIAGRAM

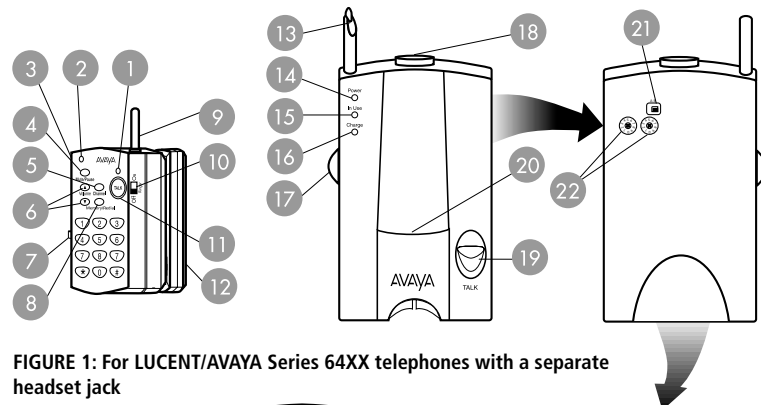


FIGURE 1: For LUCENT/AVAYA Series 64XX telephones with a separate headset jack

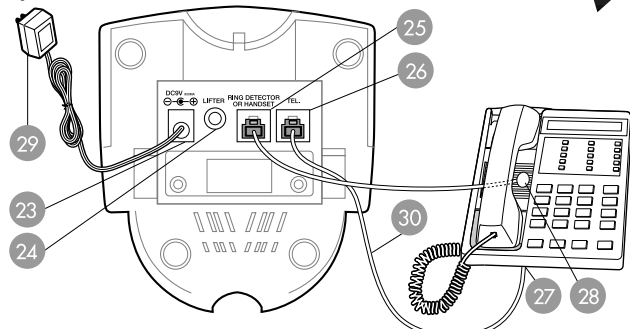
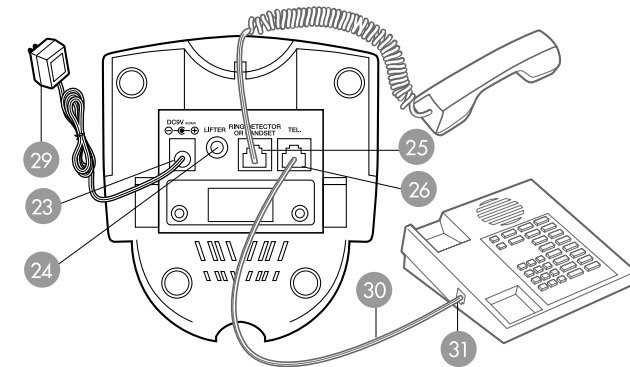


FIGURE 2: For other LUCENT/AVAYA telephones



## KEY TO DIAGRAM

- |                                 |  |
|---------------------------------|--|
| <b>Remote Unit</b>              | <b>Base Unit (rear)</b>                                      |
| 1 Talk Indicator Light          | 19 Talk Button   |
| 2 Mute Indicator Light          | 20 Remote Unit Charging Well                                 |
| 3 Headset Jack                  | 21 Handset/Ring Detector Configuration Switch                |
| 4 Mute/Pause Button             | 22 Manual Channel Settings                                   |
| 5 Channel Button                | <b>Base Underside</b>  |
| 6 Listen Volume Control Buttons | 23 AC Adapter Jack   |
| 7 Headset Cable Retainer        | 24 Optional Connection to Online Indicator or Handset Lifter |
| 8 Memory/Redial Button          | 25 Ring Detector or Handset Jack                             |
| 9 Antenna                       | 26 Telephone Jack  |
| 10 Ringer ON/OFF Switch         | 27 Headset Jack  |
| 11 Talk Button                  | 28 Ring Detector   |
| 12 Battery Pack                 | 29 AC Adapter  |
| <b>Base Unit (front)</b>        | 30 Short Cord  |
| 13 Headset Holder/Antenna       | 31 Handset Jack  |
| 14 Power Indicator Light        |  |
| 15 Talk Indicator Light         |  |
| 16 Charge Indicator Light       |  |
| 17 Talk Volume Control          |  |
| 18 Page Button                  |  |

61628-01 (10-01)  
Printed in the U.S.A.

## AUDIO VISUAL PROMPTS

### VISUAL

#### REMOTE

Talk Indicator – Green LED (1). On only when the Talk Button on either the Remote (1) or the Base (2) is activated. Flashes when the telephone rings.

Mute Indicator – Red LED (4). On only when transmit audio is muted.

#### BASE

Power Indicator – Red LED (14). On whenever power is applied to the base via the AC Power Adapter (25).

Talk Indicator – Green LED (15). On only when the Talk Button on either the Remote (1) or the Base (2) is activated. Flashes when the telephone rings.

Charge Indicator – Yellow LED (16). Flashes for a short time while verifying contact when the Remote Unit is placed in the Remote Unit Charging Well (2). Remains steady while charging. Is off when the battery is fully charged.

### AUDIO

#### REMOTE

Alert – Tone emitted by the Remote Unit when the telephone rings. Can be disabled by using the Ringer ON/OFF Switch (10) on the Remote. (**Note:** Disabling the audible ringer does not disable the Page function or the ringing heard through the headset.)

Low Battery – Two sets of beeps generated whenever the power is low. Heard only through the headset in Talk mode.

Out-of-Range – Three sets of beeps generated whenever the Remote Unit is taken out-of-range of the Base Unit. Heard only through the headset in Talk mode.

Linked – One click heard through the headset whenever the Talk Button on either the Remote (1) or Base (2) is activated.

## TROUBLESHOOTING

### I CANNOT HEAR A DIAL TONE

1. Make sure that the Remote Battery Pack (2) is securely seated in the Remote Unit Charging Well (2) and/or fully charged. The Battery Pack must charge for about 8 hours.
2. Check that all cords are correctly connected and firmly in place. Pay special attention to ensure that the telephone handset cord and the Short Cord (23) are properly connected.
3. Adjust the Listen Volume Control Buttons (6).
4. Make sure that the Remote Unit is within range of the Base Unit.
5. Make sure that the telephone is connected properly to the Base Unit. See Figures 1 and 2.
6. If you are using a telephone with a separate headset jack, make sure that the Handset/Ring Detector Configuration Switch (21) is in position B (the ring detector position).
7. If you are using a telephone without a separate headset jack, make sure that the Handset/Ring Detector Configuration Switch (21) is in position A (the handset position).
8. Separate and reconnect the Battery Pack (2) and the Remote Unit.
9. Return the Remote Unit to the Remote Unit Charging Well (2) for 5 seconds to re-establish a communication link.

### REMOTE STOPPED WORKING

1. Separate and reconnect the Battery Pack (2) and the Remote Unit.
2. Remove and replace the AC power cord from the AC Adapter Jack (26) of the Base Unit.
3. Return the Remote Unit to the Remote Unit Charging Well (2) for 5 seconds to re-establish a communication link.

### CALLER CANNOT HEAR MY VOICE

1. Make sure that the Mute/Pause Button (4) is off.
2. Make sure that your telephone is connected properly to the Base Unit. See Figures 1 and 2.
3. If you are using a telephone with a separate headset jack, make sure that the Handset/Ring Detector Configuration Switch (21) is in position B (the ring detector position).
4. If you are using a telephone without a separate headset jack, make sure that the Handset/Ring Detector Configuration Switch (21) is in position A (the handset position).
5. Adjust the Talk Volume Control (7).
6. Adjust the headset so the voice boom is closer to your mouth.

## SUPPLIES AND ACCESSORIES

### Battery Pack 700172505

Extend talk time by having a second Battery charged and ready.

### Lifter 408346146

Raises the Remote Unit for incoming calls and automatically places handset off-hook when you press "TALK". For use with phones which provide dial tone when Handset is lifted. Plugs into the Accessory/Lifter jack.

### Neck Strap 700172497

Allows Remote to be worn around your neck.

### Right Angle On Line Indicator [OL] 700174477

Alerts co-workers that you are on the phone. Plugs into the Accessory/Lifter jack.

INFORMATION ON SUPPLIES AND ACCESSORIES: Call 1-800-544-4779.

## IMPORTANT SAFETY INSTRUCTIONS

**When using your telephone equipment, basic safety precautions should always be followed to reduce the risk of fire, electric shock, and injury to persons, including the following:**

1. **Read and understand all instructions.**
2. **Follow all warnings and instructions marked on the product.** The symbol identifies and alerts the user to the presence of important operating and service instructions.
3. **Unplug this product from the wall outlet before cleaning.** Do not use liquid cleaners or aerosol cleaners. Use a damp cloth for cleaning.
4. **Do not locate base unit near water, for example, near a bath tub, wash bowl, kitchen sink, or laundry tub, in a wet basement or near a swimming pool.**
5. **Do not place this product on an unstable cart, stand or table.** The product may fall, causing serious damage to the product.
6. **This product should never be placed near or over a radiator or heat register.** This product should not be placed in a built-in installation unless proper ventilation is provided.
7. **This product is intended to be used with the supplied Class 2 Direct Plug-In Power Unit rated 9 VDC 500 mA.** Plantronics Part No. 46924-01 has a rated input voltage of 120 VAC, 60 Hz and an output voltage of 9 VDC at 500mA.
8. **Do not allow anything to rest on the power cord.** Do not locate this product where the cord will be abused by persons walking on it.
9. **Do not overload outlets and extension cords** as this can result in the risk of fire or electric shock.
10. **Never push objects of any kind into this product through cabinet slots** as they may touch dangerous voltage points or short out parts that could result in a risk of fire or electric shock. Never spill liquid of any kind on the product.
11. **To reduce the risk of electric shock, do not disassemble this product,** but take it to qualified servicemen when service or repair work is required. Opening or removing covers may expose you to dangerous voltages or other risks. Incorrect reassembly can cause electric shock when the appliance is subsequently used.
12. **Avoid using a telephone equipment during an electrical storm.** The LKA10 System has built-in surge protection circuits that meet or exceed FCC requirements. However, an incident such as a lightning strike at or near the telephone lines, could cause serious damage. There may also be a remote risk of electric shock or damage from lightning. If the LKA10 System is installed in an area with frequent and/or severe electrical storms, it is suggested that the telephone be disconnected during these storms or that additional surge suppression equipment be added to the installation.
13. **Do not use the telephone equipment to report a gas leak in the vicinity of the leak.**

## FCC REGISTRATION INFORMATION

### FCC REQUIREMENTS—PART 15

**NOTE:** This device complies with Part 15 of the FCC Rules. Operation is subject to the following two conditions:

1. This device may not cause harmful interference, and
  2. This device must accept any interference received, including interference that may cause undesired operation.
- This equipment has been tested and found to comply with the limits for a Class B digital device, pursuant to Part 15 of the FCC Rules. These limits are designed to provide reasonable protection against harmful interference in a residential installation. This equipment generates, uses, and can radiate radio frequency energy and, if not installed and used in accordance with the instructions, may cause harmful interference to radio communications. However, there is no guarantee that interference will not occur in a particular installation. If this equipment does cause harmful interference to radio or television reception, which can be determined by turning the radio or television off and on, the user is encouraged to try to correct the interference by one or more of the following measures:
1. Reorient or relocate the receiving antenna.
  2. Increase the separation between the equipment and receiver.
  3. Connect the equipment into an outlet on another circuit.
  4. Consult the dealer or an experienced radio/TV technician for help.

### FCC REQUIREMENTS — PART 68

This equipment complies with Part 68 of the FCC rules. On the baseline underside is a label that contains, among other information, the FCC registration number and ringer equivalence number (REN) for this equipment. If requested, this information must be provided to the telephone company.

The telephone company may make changes in its facilities, equipment, operation or procedures that could affect the operation of the equipment. If this happens, the telephone company should provide you advance notice in order for you to make the necessary modifications to maintain uninterrupted services.

If you experience problems with your headset, please refer to the warranty section for information on warranty and repair service. If the problem is causing harm to the telephone network, the telephone company may request that you remove the equipment until the problem is resolved. In extreme cases, the telephone company may be forced to disconnect your service before notifying you of the problem.

### 14. Unplug this product from the wall outlet and refer servicing to qualified service personnel under the following conditions:

- a) When the power supply cord or plug is damaged or frayed.
  - b) If liquid has been spilled into the product.
  - c) If the product has been exposed to rain or water.
  - d) If the product does not operate normally by following the operating instructions. Adjust only those controls that are covered by the operating instructions because improper adjustments of other controls may result in damage and will often require extensive work by a qualified technician to restore the product to normal operation.
  - e) If the product has been dropped or the base unit has been damaged.
  - f) If the product exhibits a distinct change in performance.
- 15. This product requires AC power in order to operate.** In order to have phone service during a power outage, have another telephone available that is powered only by the telephone line.
- 16. Keep all product cords and cables away from operating machinery.**

### Battery Safety

**CAUTION:** To reduce the risk of fire or injury to persons, read and follow these instructions.

1. Use only the battery pack supplied with this product.
2. Do not dispose of the battery pack in a fire. The cell may explode. Check with local codes for possible special disposal instructions.
3. Do not open or mutilate the battery pack. Released electrolyte is corrosive and may cause damage to the eyes or skin and may be toxic if swallowed.
4. Exercise care in handling the battery pack in order not to "short" the battery contacts with conducting materials such as rings, bracelets, and keys. The battery pack or conductor may overheat and cause burns.
5. Charge the battery pack in accordance with instructions supplied with this unit.
6. Observe proper orientation between battery pack and charger contacts.
7. Contact your local, county, or state hazardous waste management authorities for information on recycling or disposal programs in your area.
8. **Important:** The new battery pack must be attached to the Remote and charged in the Charging Well until the Charge Indicator Light goes off before it can be used away from the Base.
9. The maximum standby time for a freshly charged battery pack is approximately 7 days. The maximum talk time is approximately 6 hours.

**Notice:** The Industry Canada label identifies certified equipment. This certification means that the equipment meets certain telecommunications network protective, operational and safety requirements. The Department does not guarantee the equipment will operate to the user's satisfaction.

Before installing this equipment, users should ensure that it is permissible to be connected to the facilities of the local telecommunications company. The equipment must also be installed using an acceptable method of connection. In some cases, the company's inside wiring associated with a single line individual service may be extended by means of a certified connector assembly (telephone extension cord). The customer should be aware that compliance with the above conditions may not prevent degradation of service in some situations.

Repairs to certified equipment should be made by an authorized Canadian maintenance facility designated by the supplier. Any repairs or alterations made by the user to this equipment, or equipment malfunctions, may give the telecommunications company cause to request the user to disconnect the equipment.

Users should ensure for their own protection that the electrical ground connections of the power utility, telephone lines and internal metallic water pipe system, if present, are connected together. This precaution may be particularly important in rural areas.

**Caution:** Users should not attempt to make such connections themselves, but should contact the appropriate electric inspection authority, or electrician, as appropriate.

Notice: The Ringer Equivalence Number (REN) assigned to each terminal device provides an indication of the maximum number of terminals allowed to be connected to a telephone interface. The termination on an interface may consist of any combination of devices subject only to the requirement that the sum of the Ringer Equivalence Numbers of all the devices does not exceed 5.

Model No. LKA10 Load No.: 0.0B

**Notice:** This cordless amplifier uses radio communications between the handset and the base set, and may not ensure privacy of communication. Other devices including other cordless telephones may interfere with the operation of this cordless amplifier or cause noise during operation. Units not containing coded access signaling could be accessed by other cordless telephones or radio communications systems. Cordless amplifiers must not cause interference to any licensed radio service.

This device complies with RSS-210 of Industry Canada. Operation is subject to the following two conditions: (1) this device may not cause interference, and (2) this device must accept any interference, including interference that may cause undesired operation of the device.

**This device must be used with a CSA Certified/Listed telephone to ensure personal safety.**