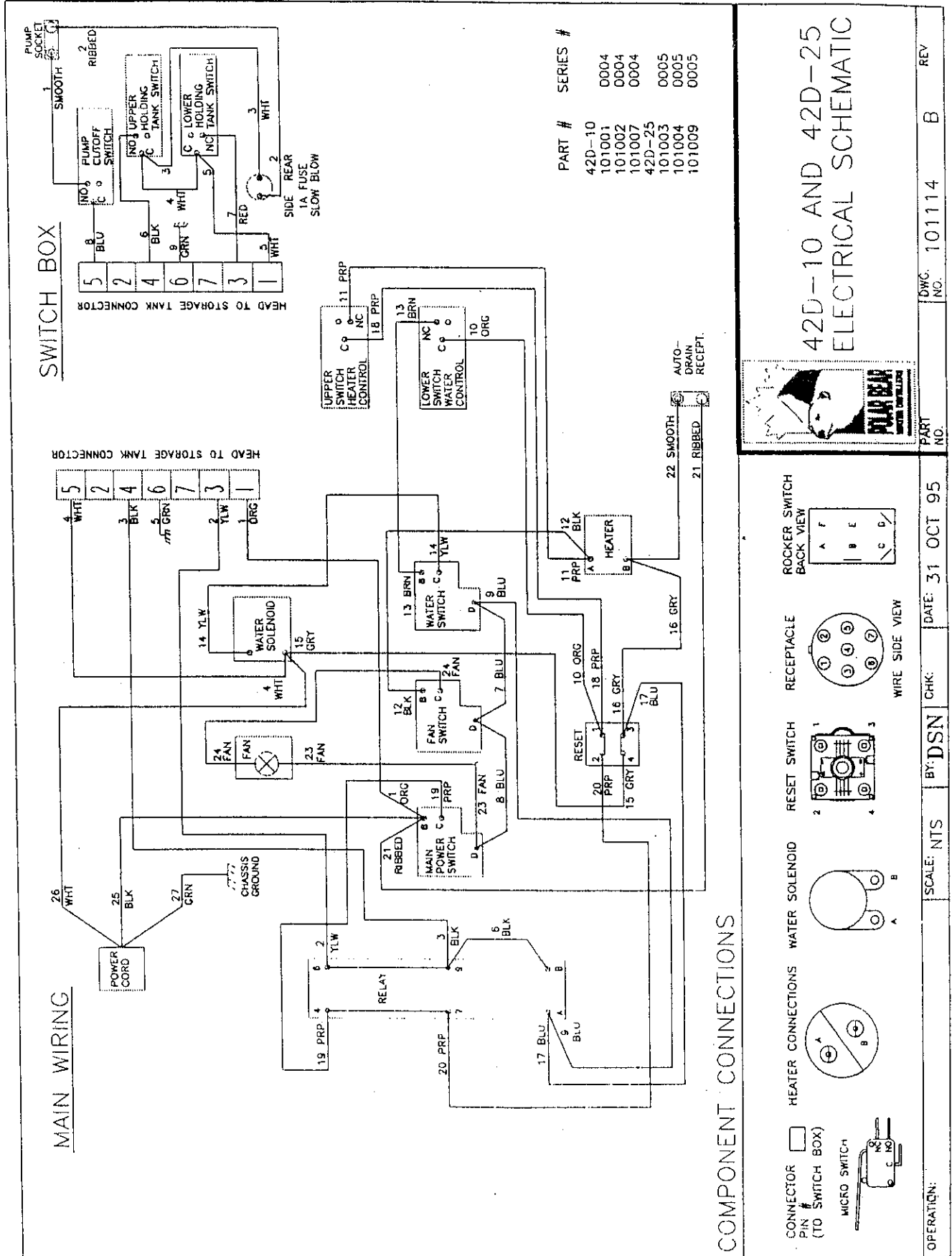


Wiring Diagram



Wiring List

Main Wiring

#	Part #	Color	Ga.	Length in. mm	From Conn. Part #	To Conn. Part #	From Location	To Location
1	101156	ORG	16	24.5 622	F/M PIN 60014	PIGG 60016	CONN #1	MAIN PWR SW #B
2	101157	YLW	16	25 635	F/M PIN 60014	F250 60001	CONN #3	RELAY #6
3	101158	BLK	16	25 635	F/M PIN 60014	PIGG 60016	CONN #4	RELAY #9
4	100319	WHT	16	6.5 165	F/M PIN 60014	PIGG 60016	CONN #5	WATER SOLENOID B
5	100647	GRN	16	6 152	F/M PIN 60014	RING 60002	CONN #6	GROUND STUD
6	100321	BLK	14	3 76	F250 60001	F250 60001	RELAY #9	RELAY #B
7	100322	BLU	14	3 76	PIGG 60016	PIGG 60016	WATER SW #D	FAN SW #D
8	100323	BLU	14	3 76	PIGG 60016	F250 60001	PWR SW #D	FAN SW #D
9	100324	BLU	14	11.5 292	PIGG 60016	F250 60001	RELAY #A	WATER SW #D
10	101159	ORG	14	6 152	SPADE 60012	F187 60011	RESET #1	BOT MSW #C (Water)
11	101160	PRP	14	9 229	F187 60011	SPADE 60012	TOP MSW #NC(Heater)	HEATER #A
12	101161	BLK	14	15 381	SPADE 60012	F250 60001	HEATER #A	FAN SW #B
13	101162	BRN	16	16.5 419	F187 60011	F250 60001	BOT MSW #NC (Water)	WATER SW #B
14	101163	YLW	16	22 559	F250 60001	F250 60001	WATER SW #C	WATER SOLENOID A
15	101164	GRY	14	21 533	SPADE 60012	PIGG 60016	RESET #4	WATER SOLENOID B
16	101165	GRY	16	4 102	SPADE 60012	SPADE 60012	HEATER #B	RESET #3
17	100648	BLU	14	19 483	SPADE 60012	F250 60001	RESET #3	RELAY #A
18	101166	PRP	14	8 203	SPADE 60012	F187 60011	RESET #1	TOP MSW #C (Heater)
19	101167	PRP	14	9.5 241	F250 60001	F250 60001	MAIN PWR SW #C	RELAY #4
20	101168	PRP	14	13 330	F250 60001	SPADE 60012	RELAY #7	RESET #2
21	101145	ORG	14	12 305	BUTT 60019	PIGG 60016	AUTODRAIN RIBBED 7"(178mm)	MAIN PWR SW #B
22	101145		18			SPADE 60012	AUTODRAIN SMOOTH 7" (178mm)	HEATER #B
23	101199 (110V) 101200 (220V)		18			F250 60010	FAN 6"(152mm)	FAN SW #C
24	101199 (110V) 101200 (220V)		18			F250 60010	FAN 6" (152mm)	PWR SW #D
25	101104		16			F250 60001	PWR CORD BLK 15.5"(394mm)	MAIN PWR SW #B
26	101104		16			F250 60001	PWR CORD WHT 5.5"(140mm)	WATER SOLENOID #B
27	101104		16			RING 60002	PWR CORD GRN 3"(76mm)	GROUND STUD

Switch Box

1	100372		18			F187X 60028	AUTODRAIN SMOOTH 6.5"(165mm)	PUMP SHUTOFF SW (No)
2	100372		18			FLAG 60031	AUTODRAIN RIBBED 2.5"(64mm)	FUSE SIDE TERMINAL
3	100338	WHT	16	11.5 292	FLAG 60023	F187X 60058	FUSE END TERMINAL	UPPER LEVEL MSW (C)
4	100339	WHT	16	3.5 89	F187X 60058	(same)	LOWER LEVEL MSW (C)	(same)
5	100336	WHT	18	8 203	(same)	M PIN 60015	(same)	CONN #1
6	100336	BLK	18	9 229	M PIN 60015	F187 60061	CONN #4	UPPER LEVEL MSW(NO)
7	100336	RED	18	8 203	M PIN 60015	F187 60061	CONN #3	LOWER LEVEL MSW(NC)
8	100336	BLU	18	8.5 216	M PIN 60015	F187 60061	CONN #5	PUMP SHUTOFF SW (C)
9	100336	GRN	18	2 51	M PIN 60015	RING 60020	CONN #6	GROUND SCREW

PART #	DESCRIPTION
60001	Receptacle, F250, 14-16 AWG
60002	Ring, #10, 14-16 AWG
60010	Receptacle, F250, 18-22 AWG
60011	Receptacle, F187, 14-16 AWG
60012	Spade, #10, 14-16 AWG
60013	Receptacle, F250, PIGGI, 18-22 AWG
60014	Pin, Female
60015	Pin, Male
60016	Receptacle, F250, PIGGI, 14-16 AWG
60019	Butt Splice, 14-16 AWG
60020	Ring, 1/4", 18-22 AWG
60023	Receptacle, F250, FLAG, 14-16 AWG
60028	Receptacle, F187, 18-22 AWG, large opening
60030	Ring, #10, 10-12 AWG
60031	Receptacle, F250, FLAG, 18-22 AWG
60032	Tab, F250, 14-16 AWG
60033	Ring, 1/4", 14-16 AWG
60034	Ring, #6, 14-16 AWG
60050	Tab, F250, 18-22 AWG
60056	Receptacle, F250, 18-22 AWG, large opening
60057	Receptacle, F250, 10-12 AWG
60058	Receptacle, F187, 14-16 AWG, large opening
60059	Tab, F250, 18-22 AWG, large opening
60060	Ring, #10, 18-22 AWG
60061	Receptacle, F187, 18-22 AWG
60062	Ring, #6, 18-22 AWG
60025	Butt Splice, 18-22 AWG