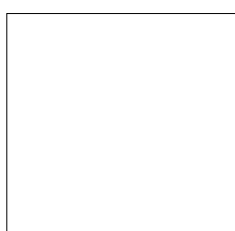


110

Gas



Users Guide

Installation & Service Instructions

U102220-07



www.rangemaster.co.uk

Be safe

Warning

Accessible parts will become hot in use. To avoid burns and scalds children should be kept away.

You need clean fresh air - so does your cooker. Burner flames produce exhaust gases, heat and moisture. Make sure that the kitchen is well ventilated: keep natural ventilation holes open or install a powered cooker hood that vents outside. If you have several burners on or use the cooker for a long time, open a window or turn on an extractor fan. For more detail see the Installation Instructions.

We recommend you read the 'General Safety Instructions' section if you have not used a gas cooker before. We describe some basic guidelines on how to use a gas cooker safely.

Gas and Electricity on

Make sure that the gas supply is turned on and that the cooker plugged in to the electricity supply and switched on. The cooker needs electricity.

Peculiar smells

When you first use your cooker it may give off a slight odour. This should stop after a little use.

Before using for the first time, make sure that all packing materials have been removed and then to dispel manufacturing odours, turn the ovens to Mark 7 and run for an hour.

Make sure the room is well ventilated to the outside air, by opening windows or turning on a cooker hood for example. We recommend that people with respiratory or allergy problems should vacate the area for this brief period.

Before using the grill for the first time you should also turn on the grill and run for 30 minutes with the grill pan in position, pushed fully back, and the grill door open.

Installation

In the UK the cooker must be installed by a CORGI registered engineer. Failure to install the appliance correctly could invalidate any warranty or liability claims and lead to prosecution

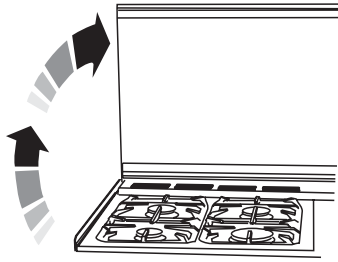
This appliance shall be installed in accordance with the regulations in force and only in a well ventilated space. Read the instructions before installing or using this appliance.

This appliance should not be installed in a boat or caravan.

Contents

Hotplate burners	Page 4
The Griddle	Page 5
Warmer	Page 5
The Grill	Page 6
The Ovens	Page 7
The Clock	Page 7
Cooking using the timer	Page 9
Oven cooking	Page 10
'S' (Slow) cooking	Page 10
Oven shelves	Page 11
The Handyrack	Page 12
Oven light	Page 12
Storage	Page 12
Oven cooking guide	Page 13
Cleaning your cooker	Page 14
Moving your cooker	Page 17
Troubleshooting	Page 18
General Safety Instructions	Page 20
Installation	Page 22
Servicing Notes	Page 29
Circuit Diagram	Page 34
Technical Data	Page 35

Hotplate burners



- 1** Some models have a glass lid over the hotplate. If it is not open, lift it up at the front.

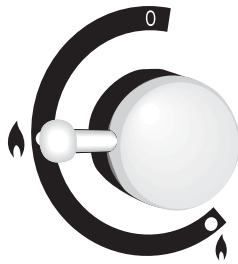
There is a safety device which cuts off the gas to the hotplate burners if the lid is accidentally closed with a burner on. The gas supply is restored when the lid is raised.

The toughened glass lid is not intended as a work surface and should not be used for this purpose.

Before closing the lid remove all pans from the hotplate and ensure that all hotplate control knobs are in the off position.

- 2** The drawing by each knob indicates which burner that knob controls.

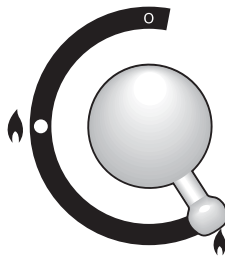
Press the igniter button, and push in and turn a knob to the large flame symbol (🔥). Alternatively light with a match.



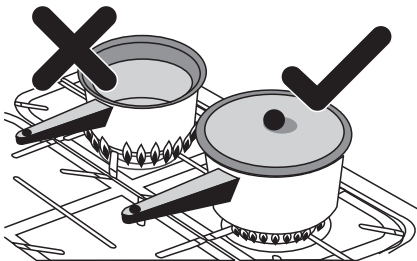
If a burner flame goes out, turn the control knob off and leave it for one minute before relighting it.

- 3** Adjust the flame height to suit by turning the knob.

On this cooker the low position is beyond high, **not** between high and off. The small flame marks the 'low position'.

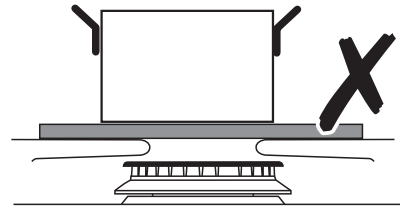


Turn the knob towards it after the contents of a pan have boiled.

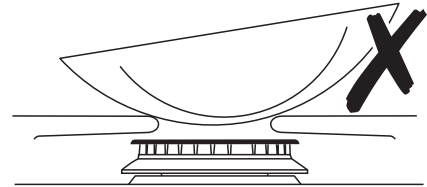


- 4** Make sure flames are under the pans. Using a lid will help the contents boil more quickly.

Pans and kettles with concave bases or down turned base rims should not be used.



- 5** Simmering aids, such as asbestos or mesh mats, are NOT recommended. They will reduce burner performance and could damage the pan supports.



- 6** Avoid using unstable and misshapen pans that may tilt easily and pans with a very small base diameter e.g. milk pans, single egg poachers. The minimum pan diameter recommended is 120mm.

Pans and kettles with down turned base rims should not be used.

Note.

If you leave the gas taps in the 'On' position when the lid has been closed, unburnt gas will escape when the lid is raised.

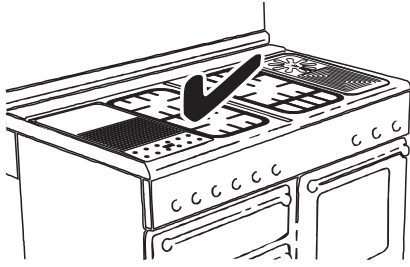
When the spark button (IGN) is pressed, sparks will be made at every burner, this is normal.

You can remove the burner parts for cleaning, see the 'Cleaning your cooker' section of these instructions.

You should wipe the enamel top surface of the cooker around the hotplate burners as soon as possible after spills occur. Try to wipe them off while the enamel is still warm.

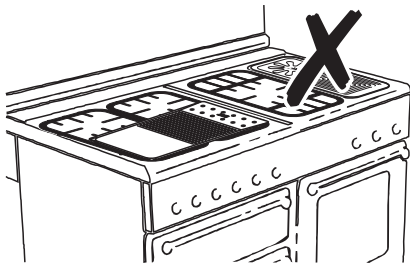
The Griddle

1



The griddle fits a single pan support, front to back. It is designed for cooking food on directly. Don't use pans of any kind on it. The griddle surface is non-stick and metal cooking utensils (e.g. spatulas) will damage the surface. Use heat resistant plastic or wooden utensils.

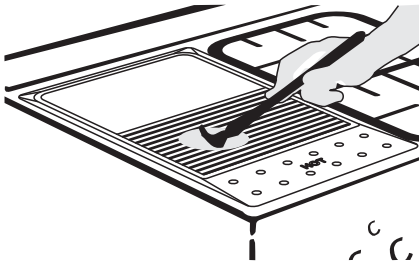
2



Don't put it crossways - it will not fit properly and will be unstable.

Don't put it on the High burner - it is not designed to fit the Wok burner pan support.

3



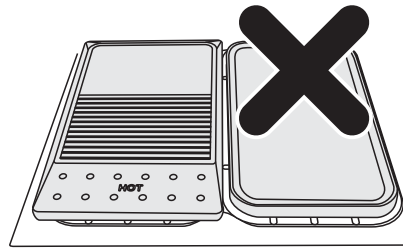
Position the griddle over the hotplate burners resting on the pan support. The griddle can be lightly brushed with cooking oil before use. Light the hotplate burners. Adjust the flame heights to suit.

4



Preheat the griddle for a maximum of 5 minutes before adding food. Leaving it longer may cause damage. You can reduce the heat by turning the control knobs towards the lower position (marked with the small flame symbol).

5



Always leave space around the griddle for the gases to escape. **Never** fit two griddles side by side. Large pans should also be spaced well apart. The maximum pan base diameter is 250mm.



Use the following heat settings as a guide for griddle cooking.

High/medium:

Drop scones, Bacon, Chops, Steak, Burgers.

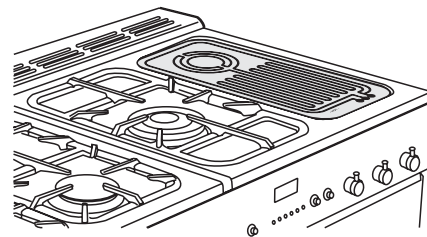
Medium/low:

Potato cakes, Eggs, Fish cakes.

Experience will soon familiarise you with the correct setting to use for cooking.

After cooking allow the griddle to cool before cleaning.

Warmer



Use the warmer for keeping food warm while the final touches are put to a meal. Turn the control knob anti-clockwise to the on position. The 'HOT' indicator lights up. For best results, pre-heat a covered serving dish for 10 minutes before adding food to it.

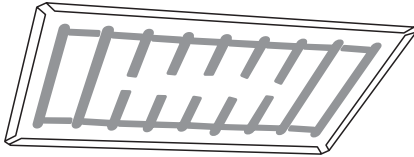
CAUTION:- If a crack in the Warmer surface becomes visible, due to accidental damage etc., isolate the appliance from the electricity supply immediately by turning it off at the wall and arrange for its repair.

DO NOT RECONNECT THE COOKER TO THE ELECTRICITY SUPPLY UNTIL AFTER REPAIR!

The Grill

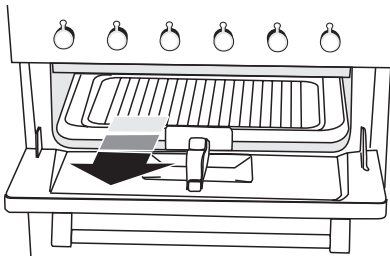
CAUTION: Accessible parts may be hot when the grill is in use. Young children should be kept away.

1



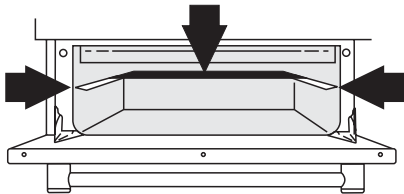
The burner does not glow red - food cooks from the heat of the flame. The first time you light the grill there may be a little smoke given off - this is perfectly normal.

2



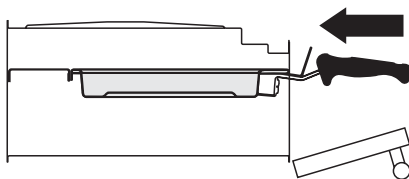
Remove the pan from the bottom of the grill compartment.

3



After placing your food on the grill tray pan, slide the grill pan onto the side supports just below the burners. Make sure it is pushed right in and touches the back stop.

4

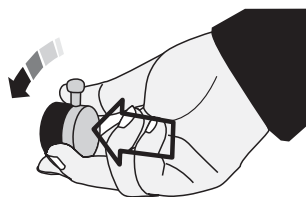


Make sure the grill pan is pushed right in and touches the back stop. Never close the grill door while the grill is on.

Natural gas

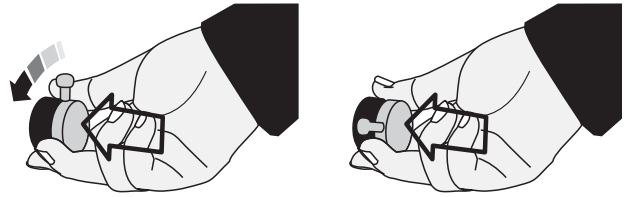
5

Press the igniter button and press in and turn the grill knob to the large flame symbol (♠). When the flame lights release the igniter button.



LP Gas

5

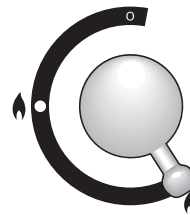


The grill has a special safety device with stops the flow of gas to the grill if the flame goes out. Turn the knob to the large flame symbol (♠).

Press the igniter button. Press in the grill knob - this lets gas through to the burner. Keep holding the grill knob pressed for about 10 seconds.

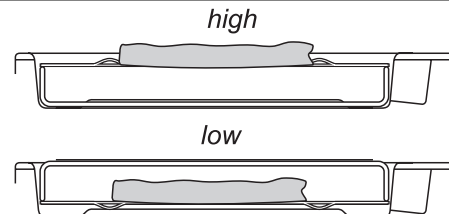
If when you let go of the control knob the burner goes out, the safety device has not held in. Turn off the grill and wait one minute then try again this time holding in the button for slightly longer.

6



The low position, marked with the small flame symbol, is beyond high, not between high and off.

7



The grill pan grid can be turned over to give two grilling positions.



For best results, especially on toast, preheat the grill with the grill pan in the cooking position for two minutes before use. The grill trivet can be removed and the food placed on it while you are waiting for the grill to preheat. After placing your food on the grill pan grid, slide the grill pan onto the side supports just below the burners. Adjust the flame height to suit by turning the knob.

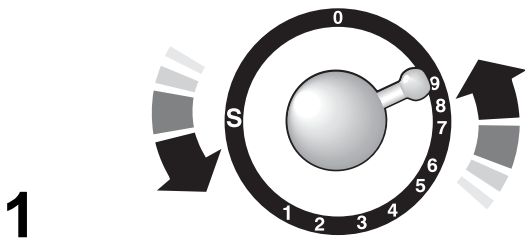
Don't leave the grill on for more than a few moments, without the grill pan underneath it.

You can brown the top of dishes cooked in the oven, under the grill. Remove the grill trivet and place the dish onto the base of the grill pan. Slide the grill pan along the floor of the grill cavity.

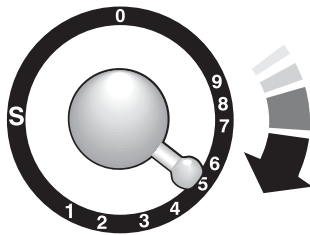
The Ovens

The clock must be set to the time of day before the ovens will work. See 'The Clock' section of these instructions for how to set the clock.

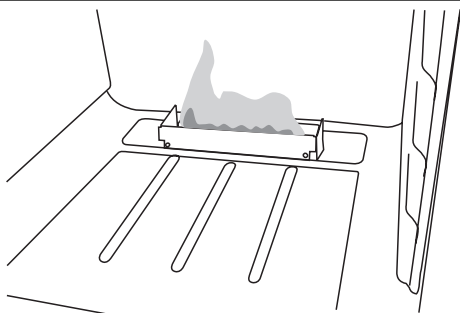
Before using for the first time, to dispel manufacturing odours turn the ovens to Mark 7 and run for an hour. Make sure the room is well ventilated to the outside air, by opening windows or turning on a cooker hood for example. We recommend that people with respiratory or allergy problems should vacate the area for this brief period.



1 Push in and turn the knob controlling the oven to Gas Mark 9. The oven will light automatically.

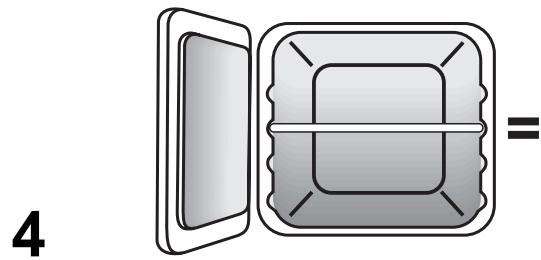


2 Turn the control knob back to the Mark you wish to cook on and for best results pre-heat for 15 minutes before placing your dishes in the oven.

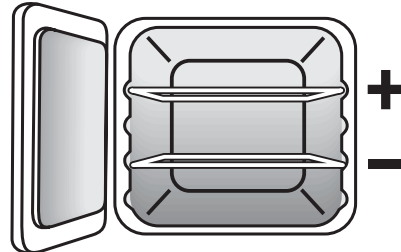


3 The ovens use our special 'Heatflow' system. Because the oven burner is not hidden under the oven base you will see the burner flames at the back of the oven - this is perfectly normal.

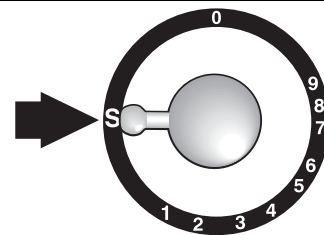
The oven is protected by a safety cut off, which reduces the supply of gas to the oven if the flames go out, e.g. an interruption to the mains supply. Initially the gas will burn with a small flame but after approximately one minute the flame will become larger indicating that the oven is full on.



4 Dishes cooking on the central shelf will cook at the gas mark indicated on the knob.



5 Dishes placed above the central position will be cooked at approx. one gas Mark higher, dishes cooked below approx. one gas Mark lower. You can therefore cook dishes requiring different gas Marks at the same time.



6 The 'S' setting is a very low temperature for slow cooking, overnight or while you are out or at work. The 'S' setting can also be used for keeping food warm.

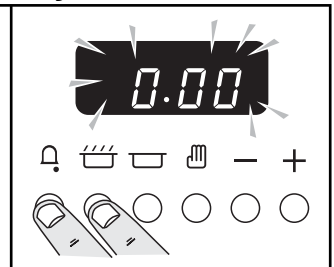
The Clock

You can use the timer to turn the ovens on and off. The clock must be set to the time of day before the ovens will work.

To set the time of day

Press and hold as shown. At the same time, press (-) or (+) until the correct time shows.

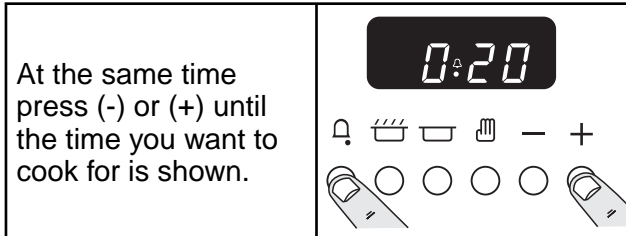
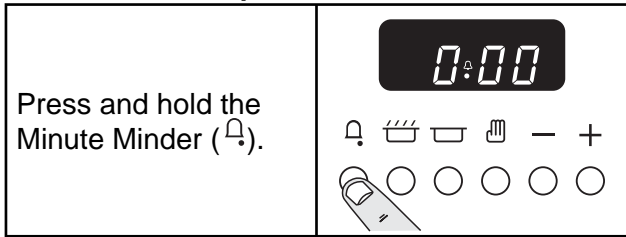
Don't forget it's a 24 hour clock.



If you make a mistake or press the wrong button, turn off the power supply for a minute or two and start again.

If the key symbol (i) appears on the left of the display you have accidentally turned on the key lock feature. See the section 'Clock Special Features'.

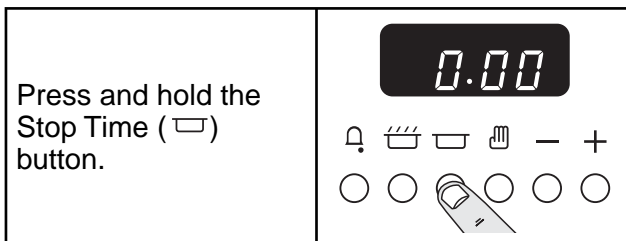
To time something that's cooking (minute minder)



You can check time remaining by pressing 🔔 and cancel the beeper by pressing 🔔.

To stop automatically

Use when you have started the oven manually.



At the same time press (-) or (+) until your required 'Stop Time' shows. AUTO will show in the display. When your cooking is finished the beeper sounds. TURN THE OVEN KNOB TO 0 FIRST, then press 🔔 once to stop the beep, press 🔔 again to return to manual cooking.

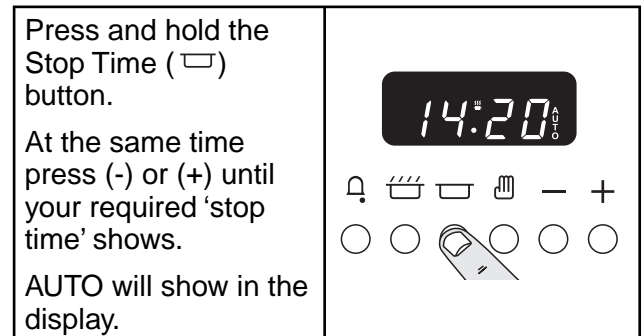
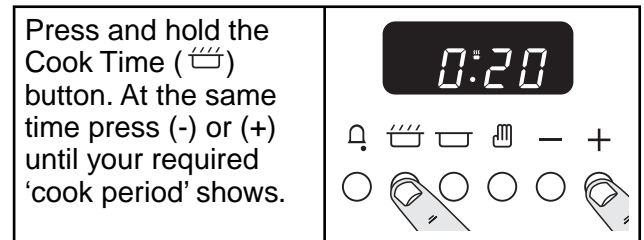
To start and stop the oven automatically

Before you set the clock, you must have two numbers clearly in mind.

The 'cook period', which is the period of time you want the oven to cook.

The 'stop time', which is the time of day you want the oven to stop cooking.

You cannot set a start time directly - this is set automatically by setting the cooking period and stop time.



Set the oven to the required temperature. When your cooking is finished the beeper sounds. TURN THE OVEN KNOB TO 0 FIRST, then press 🔔 once to stop the beep, press 🔔 again to return to manual cooking.

If you are out, don't worry about the beeper going off, it stops after a while. When you return, TURN THE OVEN KNOB TO 0 FIRST, then press 🔔 twice, to return to manual cooking.

AUTO is showing, you want to reset to manual cooking.

When cancelling an automatic setting, any cooking time already set must be returned to 0.00 before you can return to manual, by pressing the 🔔 button.

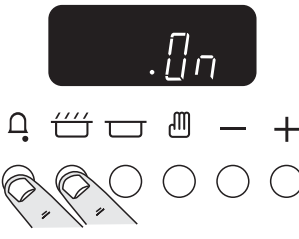
Clock Special Features

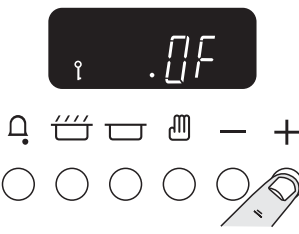
Key Lock


When the key lock is activated, the clock can be operated as usual but the oven is locked and will not come on. This means that your child could select a cook program but the program will not be activated and oven will not be switched on.

To activate the key lock

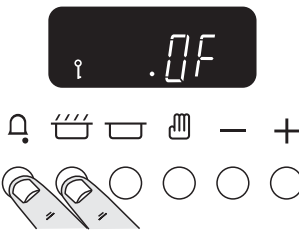
Make sure that the clock is in manual mode and cancel any active programs.

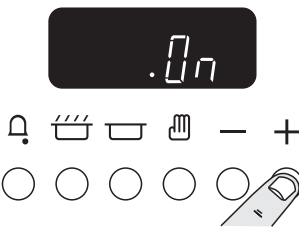
<p>Hold the Minute Minder (🔔) and Cooktime (🍲) buttons for about 8 seconds.</p> <p>'On' will appear on the display.</p>	
---	---

<p>Press the '+' button once.</p> <p>'Of' will appear on the display.</p>	
---	--

<p>The clock oven control functions are now locked.</p> <p>After a few seconds the display will revert to show the time of day and the key symbol (🔒).</p>	
--	---

To turn off the key lock

<p>Hold the Minute Minder (🔔) and Cooktime (🍲) buttons for about 8 seconds.</p> <p>'Of' will appear on the display.</p>	
---	---

<p>Press the '+' button once. 'On' will appear on the display.</p>	
--	---

After a few seconds the display will revert to show the time of day.

The oven and the clock oven control functions can now be used normally.

Cooking using the timer

The timer can be used to turn just one oven or both on and off automatically. The start and stop time must be the same for both ovens but different cooking temperatures can be set.

If you want to turn one of the ovens on at the same time as the timer is set for automatic cooking, you must wait until the timer has turned on the oven/ ovens first. Then you can adjust either of them manually in the normal way.

You can set the oven to turn on any time over the following 24 hour period

If you want to cook more than one dish, choose dishes that require approximately the same time. However, dishes can be 'slowed down' slightly by using small containers and covering them with aluminium foil, or 'speeded up' slightly by cooking smaller quantities or placing in larger containers.

Very perishable foods such as pork or fish should be avoided if a long delay period is planned, especially in hot weather.

***Don't place warm food in the oven.
Don't use an oven already warm.
Don't use if an adjoining oven is warm.***

Avoid using wine or beer if there is a delay period, as fermentation may take place.

To avoid curdling, cream should be added to dishes just before serving.

Fresh vegetables, which may discolour during a delay period, should be coated in melted fat or immersed in a water and lemon juice solution.

Many frozen foods are ideal for delayed cooking and can be placed in the oven while still frozen.

Fruit pies, custard tarts or similar wet mixtures on top of uncooked pastry are only satisfactory if there is a short delay period. Dishes containing leftover cooked meat or poultry should not be cooked automatically if there is a delay period.

Whole poultry must be thoroughly defrosted before placing in the oven.

Check that meat and poultry are fully cooked before serving.

Oven cooking

The wire shelves should always be pushed firmly to the back of the oven.

Baking trays with food cooking on them should be placed level with the front edge of the oven's wire shelves. Other containers should be placed centrally. Keep all trays and containers away from the back of the oven, as overbrowning of the food may occur.

For even browning, the maximum recommended size of a baking tray is 325mm (12³/₄") by 305mm (12").

When the oven is on, don't leave the door open for longer than necessary, otherwise the knobs may get very hot.

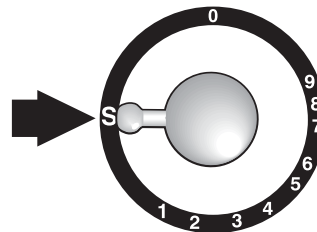


- *Always leave a 'fingers width' between dishes on the same shelf. This allows the heat to circulate freely around them.*
- *To reduce fat splashing when you add vegetables to hot fat around a roast, dry them thoroughly or brush lightly with cooking oil.*
- *Where dishes may boil and spill over during cooking, place them on a baking tray.*

The oven is protected by a safety cut off, which reduces the supply of gas to the oven if the flames go out, e.g. an interruption to the mains supply.

- *Plates can be warmed in the oven on the 'S' setting. The 'S' setting can be used to keep foods hot for 3-4 hours after 'normal' cooking, without drying out or overbrowning.*
- *The Cook & Clean oven liners (see Cleaning your cooker) work better when fat splashes are avoided. Cover meat when cooking.*
- *Sufficient heat rises out of the oven while cooking to warm plates in the grill compartment.*
- *If you want to brown the base of a pastry dish, preheat the baking tray for 15 minutes before placing the dish in the centre of the tray.*

'S' (Slow) cooking



The 'S' setting is a very low temperature for slow cooking, overnight or while you are out or at work. The 'S' setting can also be used for keeping food warm.

You can cook on 'S' throughout, or use a 30 minute 'boost' period at gas Mark 6 and then 'S' cook.

When roasting joints, poultry or pot roasting, always cook at Mark 6 for 30 minutes at the beginning of the cooking period.

You can 'S' cook for periods of 6 to 12 hours. This technique is particularly useful if you want to cook a dish overnight or while you are out at work during the day.

Frozen foods must be thoroughly thawed out before 'S' cooking.

Whole poultry should not be cooked on 'S'. Chicken casseroles are fine.

Casseroles must be brought to boiling point on the hotplate immediately before 'S' cooking.

Poultry and rolled joints should not be stuffed before cooking. The stuffing should be cooked separately. Poultry and pork should be cooked in the top half of the oven, and other meats not lower than shelf position 4.

A roasting joint should be covered with cooking foil, or with a roasting bag to reduce shrinkage and retain juices.

Should further browning be necessary, uncover the meat and increase the temperature to Mark 4 for a short period.

Cut root vegetables into small pieces unless cooking whole, e.g. jacket potatoes.

Cover dishes tightly with a lid or foil to prevent evaporation and transfer of flavour.

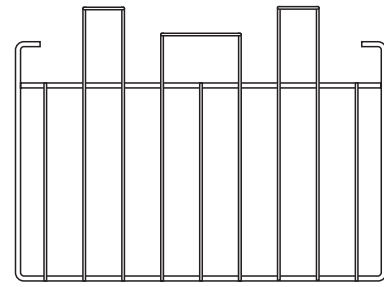
Once the oven has been loaded and the 'S' setting is in operation resist the temptation to open the oven door. Heat will be lost and the cooking time extended.

A meat thermometer is recommended for checking that a joint or poultry is sufficiently cooked. Insert the probe through the thickest part of the meat. The temperatures to be expected are as follows.-

Beef	rare	60°C / 140°F
	medium	71°C / 160°F
	well done	77°C / 170°F
Lamb		82°C / 180°F
Pork	fresh	88°C / 190°F
	cured	77°C / 170°F
Poultry		90°C / 195°F
Veal		77°C / 170°F

Oven shelves

Top view



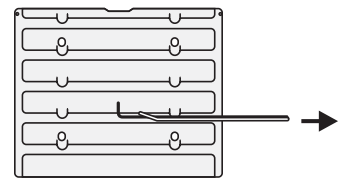
Side view



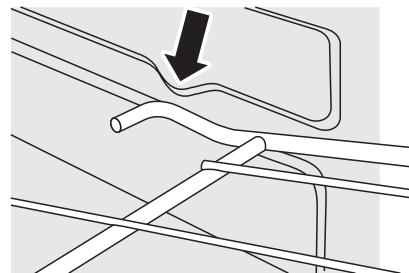
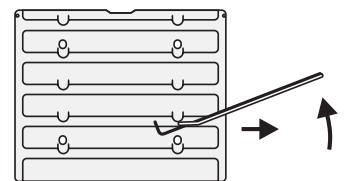
the shelf guard should be at the back pointing upwards

The oven shelves can be easily removed and refitted.

Pull the shelf forward until the back of the shelf is stopped by the shelf stop bumps in the oven sides.



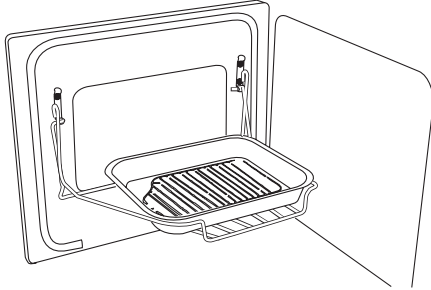
Lift up the front of the shelf so the back of the shelf will pass under the shelf stop and then pull the shelf forward.



To refit the shelf, line up the shelf with a groove in the oven side and push the shelf back until the ends hit the shelf stop. Lift up the front so the shelf ends clear the shelf stops, and then lower the front so that the shelf is level and push it fully back.

The Handyrack

The maximum weight that can be held by the Handyrack is 5.5kg (12lb). It should only be used with the supplied meat tin, which is designed to fit the Handyrack. Any other vessel could be unstable.

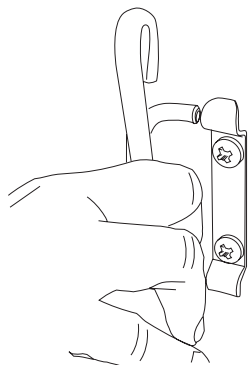
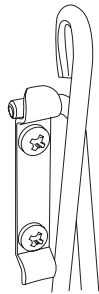


The Handyrack fits to the left hand oven door only. Food cooking on it is easy to attend to, because it's accessible when the door is open. It can be fitted at two different heights. One of the oven shelves must be removed and the other positioned to suit.

When the Handyrack is used in its highest position, other dishes can be cooked on the bottom shelf position of the oven or standing on the base of the oven

When the Handyrack is used in its lowest position, other dishes can be cooked on the second shelf position of the oven.

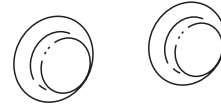
To fit the Handyrack, locate one side of it on the door bracket.



Then spring the other side out to clip it onto the other bracket.

Oven light

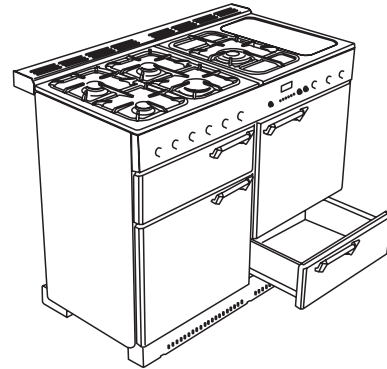
◀ oven light ▶



Press the appropriate button to turn on one of the oven lights.

If one of the oven lights fail, turn off the power supply before you change the bulb. See the 'Troubleshooting' section for details on how to change an oven light bulb.

Storage

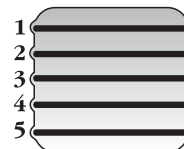


The bottom drawer is for storing oven trays and other cooking utensils. It can get very warm, don't store anything in it that may melt or catch fire. The drawer can be removed completely by pulling it right out and up.

The oven control settings and cooking times given opposite are intended to be used only as a guide. Individual tastes may require the temperature to be altered to provide a preferred result.

Always leave at least one runner space between shelves when 2 tier cooking. Place baking trays, individual cake tins or baking dishes centrally on the oven shelf. For best results pre-heat the oven for 15 minutes.

Oven cooking guide



OVEN SHELF POSITIONS

	Gas Mark	Shelf Position from Top	Approximate Cooking Time	
Meat				<p><i>Thoroughly thaw frozen joints before cooking. Meat may be roasted at Mk. 7 and the cooking time adjusted accordingly. For stuffed and rolled meats, add approx. 10 min. per 500g. or cook at Mk. 6 or 20min, then Mk. 3 for the remainder.</i></p>
Beef (no bone)	3	3-4	30-35mins. per 500g.+30-35 mins.	
	6	3-4	20-25mins. per 500g.+20-25 mins.	
Lamb	3	3-4	30-35mins. per 500g.+30-35 mins.	
	6	3-4	25-30mins. per 500g.+25-30 mins.	
Pork and Veal	3	2-3	35-40mins. per 500g.+35-40 mins.	
	6	3-4	25-30mins. per 500g.+25-30 mins.	
Poultry				<p><i>For stuffed poultry, you could cook at Mk. 6 for 20mins. and then Mk.3 for remainder. Don't forget to include the weight of the stuffing. For fresh or frozen prepacked poultry, follow instructions on the pack. Thoroughly thaw frozen poultry before cooking.</i></p>
Chicken (2.3kg)	3	3-4	20-25mins. per 500g.+20-25 mins.	
	6	3-4	15-20mins. per 500g.+15-20 mins.	
Turkey (4.5kg)	3	3-4	25-30mins. per 500g.+25-30 mins.	
	6	3-4	20mins. per 500g.+20 mins.	
Turkey (over 4.5kg)	3	4	20mins. per 500g.+20 mins.	
	6	4	15mins. per 500g.+15 mins.	
Duck/ duckling	3	4	25-30mins. per 500g.	
	6	4	20mins. per 500g.	
Casseroles	1-2	3-4	2-4 hours according to recipe.	
Yorkshire Pudding	7	2	Large tin 30-35 mins. Individual, 10-20 mins.	
Fish	5	2	Filletts 15-20 mins. Whole 15-20mins. per 500g.	
	5	2	Steaks according to thickness.	
Cakes				<p><i>When two tier cooking leave at least one runner space between shelves. Position the baking tray with the front edge along the front of the oven shelf. Rich fruit cakes made with self-raising flour should be cooked on Mk.4 for the first half hour at least and then finished at the setting shown.</i></p>
Very rich fruit - Christmas / wedding etc.	1	4	45-50mins. per 500g. of mixture.	
Fruit 180mm tin	2	4	2 to 2½ hours.	
Fruit 230mm tin	2	4	Up to 3½ hours.	
Madeira 180mm	3	4	80-90 mins.	
Queen cakes	5	2 & 4 or 3	15-25 mins.	
Scones	7	2 & 4 or 3	10-15 mins.	
Victoria sandwich				
180mm tin	4	2 & 4 or 3	20-30mins.	
230mm tin	4	2 & 4 or 3	30-40 mins.	
Desserts				<p><i>If cooking more than one tart at the same time, swap them over at approx. 25 mins. For even browning the maximum size of baking tray recommended is 325mm x 305mm. This ensures free heat circulation. If cooking a two tier load, when the top tray is removed, the tray in the lower position should be raised to the higher shelf, or the trays interchanged, for the remaining cooking time.</i></p>
Shortcrust tarts	6	2 & 4	40-60 mins. on pre-heated tray.	
Fruit pies	6	2-3	35-45 mins.	
Tartlets	6	2-3	10-20 mins. according to size.	
Flaky/rough puff	7	2-3-4	20-40 mins. according to size.	
Puff pastry	8	2-3-4	20-40 mins. according to size.	
Meringues	'S'	3	1½ to 2 hrs.	
Baked egg custard	3	3	45-60 mins.	
Baked sponge pudding	5	3	40-45 mins.	
Milk pudding	1-2	3	2-3 hrs.	

Cleaning your cooker

Essential information

Before thorough cleaning isolate the electricity supply. Remember to switch on the electricity supply before use.

Never use paint solvents, washing soda, caustic cleaners, biological powders, bleach, chlorine based bleach cleaners, coarse abrasives or salt. Don't mix different cleaning products - they may react together with hazardous results. Recommended cleaning materials are shown in the table at the end of this section.

If you want to move your cooker for cleaning, see the section called 'Moving your cooker'.

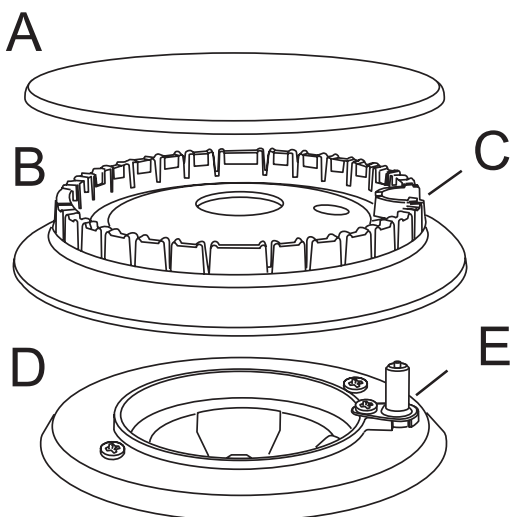
All parts of the cooker can be cleaned with hot soapy water - **but take care that no surplus water seeps into the appliance.**

For cleaning materials see the 'Cleaning Table' at the end of this section.

Hotplate burners

Some models have a separate trim ring, which fits on the burner head.

The burner heads and caps can be removed for cleaning. Make sure they are absolutely dry before replacing.



A cap, B head, C notch, D base, E electrode

When refitting the burner head, make sure that the notch lines up with the electrode or hole in the base. Check that the burner head is level and that the cap is fitted centrally on the burner head.

Griddle

Always clean the griddle after use. Allow to cool completely before removing. Immerse the griddle plate in hot soapy water. Use a soft cloth or, for stubborn stains, a nylon washing up brush.

NEVER USE CAUSTIC OR ABRASIVE CLEANERS AS THESE WILL DAMAGE THE SURFACE.

Control Panel and Doors

The control panel and control knobs should only be cleaned with a soft cloth wrung out in clean hot soapy water - **but take care that no surplus water seeps into the appliance.** Wipe with a clean dampened cloth then polish with a dry cloth. The oven doors should only be cleaned with a soft cloth wrung out in clean hot soapy water.

Grill

The face of the grill burner will darken with use - this is perfectly normal. Any fat or grease will burn off. Do not try to clean it - the small holes could get blocked and affect burner performance.

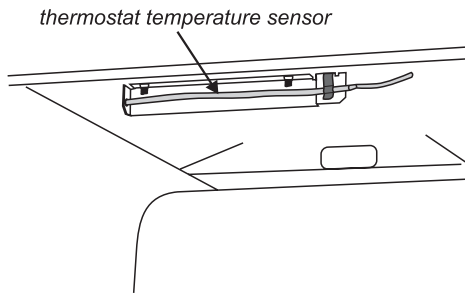
The grill pan and grid should be washed in hot soapy water. After grilling meats or any foods that soil, leave to soak for a few minutes in the sink immediately after use. Stubborn particles may be removed from the grid by using a nylon brush.

The Ovens

Cleaning is easier if carried out while the oven is still warm. Before cleaning, cover the burner to prevent the burner holes becoming blocked.

The inside of the oven and inner door panel can be cleaned using an approved cleaner see the table at the end of this section.

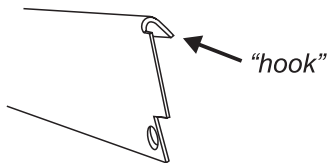
Take care not to disturb the oven thermostat temperature sensor at the top of the oven opening.



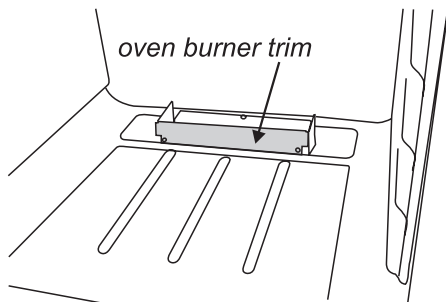
The enamelled oven burner trim (supplied with some models only) can be removed for cleaning.



The oven burner trim hooks onto the front of the oven burner bracket.



When refitting make sure that the trim is in the middle of the front of the oven burner bracket.



The Oven side linings

The oven has removable oven side lining panels that have been coated with special enamel that partly cleans itself. This does not stop all marks on the lining, but helps to reduce the amount of manual cleaning needed.

The Cook & Clean panels work better above gas Mark 6. If you do most of your cooking below this temperature, occasionally remove the panels and wipe with a lint free cloth and hot soapy water. The panels should then be dried and replaced and the oven heated at Gas Mark 7 for about one hour. This will ensure the Cook & Clean panels are working effectively.

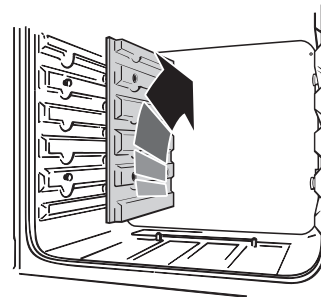
Don't use steel wool (Brillo) or any other materials that will scratch the surface. Don't use oven cleaning pads.

Before cleaning the oven, cover the burner at the rear to stop the holes getting blocked as you clean. If they are accidentally blocked, clean them out with thin wire, such as fuse wire.

Removing the Oven Linings

The lining panels can be removed for cleaning and for cleaning behind. Remove the shelves first.

Each side of the oven is fixed with four fixing screws. You don't have to remove the screws to remove the oven linings. Lift each side panel upwards and they will slide off the screws. Then pull them forwards.



Once the linings are removed, the oven enamel interior can be cleaned.

Cleaning Table

Hotplate

Part	Finish	Recommended Cleaning Method
Hotplate Top	Enamel or Stainless Steel	Hot soapy water, soft cloth. Any stubborn stains remove gently with a nylon scourer.
Pan Supports, Wok Cradle (some models only)	Enamel coated Cast Iron or Stainless Steel	Cif Cream Cleaner- <i>Faberge Lever</i> and a nylon scourer. Dishwasher.
Warming Zone (some models only)	Toughened Glass	Hot soapy water, cream cleaner/scourer if necessary.
Burner Caps	Enamel	Cream cleaner, nylon scourer. Dishwasher
Burner Trim Rings (some models only) and Burner Head	Aluminium	Cif or other cream cleaner with a soft cloth. Be careful not to be over vigorous.
Griddle Plate (some models only)	Non-Stick Surface	Allow to cool. Wash in hot soapy water. Do not use abrasive cleaners/scourers. Dishwasher.

Outside of cooker

Part	Finish	Recommended Cleaning Method
Door, Door surround and Storage Drawer exterior.	Enamel or paint	Hot soapy water, soft cloth. Any stubborn stains, remove gently with a liquid detergent.
	Stainless Steel	E Cloth (Comet) or Vileda Microfibre Plus All Purpose Cloth <i>Freudenberg Household Products LP</i> (supermarket)
Sides and Plinth	Painted surface	Hot soapy water, soft cloth
Splashback/Rear Grille	Enamel or Stainless Steel	Hot soapy water, soft cloth. Cream cleaner, with care, if necessary.
Control panel	Paint, Enamel or Stainless Steel	Warm soapy water. Do not use abrasive cleaners on lettering.
Control Knobs/Handles	Plastic/ Chrome	Warm soapy water, soft cloth.
Oven Door Glass/Glass Lid	Toughened glass	Hot soapy water, cream cleaner/scourer if necessary.

Oven and Grill

Part	Finish	Recommended Cleaning Method
Sides, floor & roof of oven - NOT COOK & CLEAN OVEN PANELS (see below)	Enamel	Any proprietary oven cleaner that is suitable for enamel. CAUTION: CORROSIVE/CAUSTIC OVEN CLEANERS - FOLLOW MANUFACTURERS INSTRUCTIONS. Protect the burner in gas ovens with foil whilst cleaning the oven interior. Make sure you remove the foil before using the oven.
Cook & Clean Oven Panels (some models only)	Special enamel that partly cleans itself	This surface cleans itself at Mk. 7 and above, or the panels can be removed and washed with hot soapy water and a nylon brush. (see 'The Ovens' in 'Cleaning your cooker')
Oven Shelves, Handyrack, Grill Trivet.	Chrome	An oven interior cleaner that is suitable for chrome. Soap filled pad. Dishwasher.
Grill Pan, Meat Tin.	Enamel	Hot soapy water. Soap filled pad (Brillo). Dishwasher.

Cleaners listed are available from Supermarkets or electrical retailers as stated. Cleaner manufacturer in Italics

For enamelled surfaces use a cleaner that is approved for use on vitreous enamel. The vitreous enamel association has a list of approved cleaners. Contact them via their website www.ive.org.uk or telephone: 01527 893031.

Regular cleaning is recommended. For easier cleaning, wipe up any spillages immediately.

To help keep your oven clean, cover meat when roasting, with foil or use a roasting bag. Brush vegetables with fat before placing around the meat.

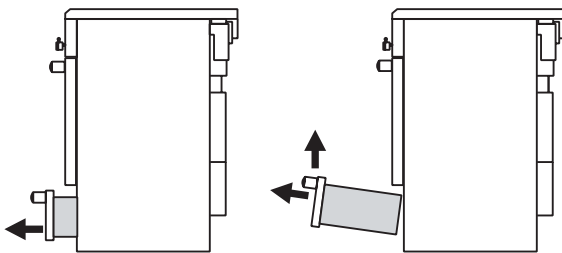
Moving your cooker

Switch off the electricity supply.

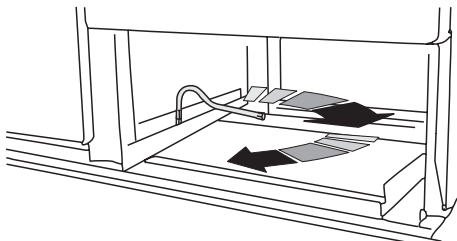
The cooker is heavy, two people may be required to move it. The cooker is fitted with one roller at the front and two at the back. There are also two screw down levelling feet at the front.

The front roller, designed for moving the cooker can be wound down. The levelling tool that controls this roller is in the storage drawer compartment.

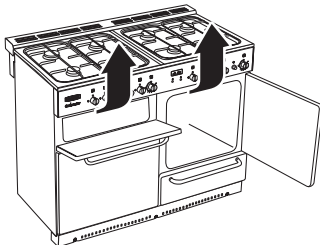
Remove the storage drawer (by pulling it right out and lifting it up slightly) and you should see the levelling tool.



Your installer may not have left the levelling tool in place. If not, locate it as shown. If you cannot find the levelling tool, contact your installer. See the Installation section of these instructions where your installer should have written their contact details.



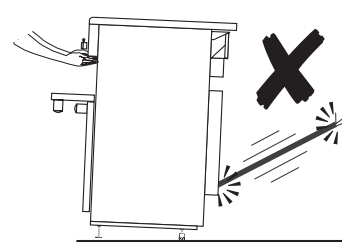
Turn the levelling tool clockwise, two full (180°) turns. It will be stiff. The front of the oven will rise slightly as the roller drops down.



Open the grill door and right hand oven door so that you can get a good grip on the bottom of the fascia panel as you move the oven.

Do not move the oven by pulling the hand rail, door handles or knobs.

Move the oven a bit at a time, checking behind it to make sure the gas hose is not caught. Make sure both electricity and gas cables have sufficient slack to move the cooker forward as you go along.



If a stability chain is fitted, release it as you ease the cooker out.

When you replace the cooker, wind it down off the rollers by turning the levelling tool anti-clockwise. This is important. It will stop the cooker moving accidentally, while in use.

When you replace the cooker, wind it down off the rollers by turning the levelling tool anti-clockwise. This is important. It will stop the cooker moving accidentally, while in use.

Troubleshooting

Hotplate ignition or hotplate burners faulty

Is the power on? Is the clock illuminated? If not there maybe something wrong with the power supply.

See 'power supply' section further on.

Are the sparker (ignition electrode) or burner slots blocked by debris?

Is the burner trim correctly located?

Are the burner caps correctly located?

See the section entitled 'Cleaning your cooker'

Hotplate burners will not light

If only one or all the hotplate burners will not light, make sure that the parts have been replaced correctly after wiping or removing for cleaning.

Check that there is not a problem with your gas supply. You can do this by making sure that other gas appliances you may have are working.

Do the burners spark when you push the button? If not check the power is on - is the clock illuminated?

A crack has appeared in the Warmer plate's surface

Disconnect the cooker immediately from the power supply and arrange for its repair. Don't use the cooker until after the repair. See the HELP leaflet for how to contact a service person.

The knobs get hot when I use the oven or the grill, can I avoid this?

Yes, this is caused by heat rising from the oven or the grill, and heating them up. Don't leave the oven door open. Make sure that the grill pan is pushed right back to the 'back stop' when grilling.

Grill Ignition faulty

Is the power on? Is the clock illuminated? If not there maybe something wrong with the power supply. See 'power supply' section further on.

Grill not cooking properly

Are you using the pan and trivet supplied with the cooker? Is the pan being used on the runners, not the floor of the compartment? Is the grill tray pushed fully back to stop?

Oven ignition faulty

Is the power on? Is the clock running? - if not there may be something wrong with the power supply.

See the section on 'Checking the power supply'.

Check that the electrode and burner slots are not blocked by debris.


Has the Timer been set to auto by mistake, or after power cut?

Has the Timer been set correctly but oven tap not left OFF by mistake?

Is the key symbol (ⓘ) showing in the display?

See the Clock section of the instructions for more information on the key lock feature of the clock.

Oven not coming on when turned on manually

Is the power on? Is the clock illuminated? If not there may be something wrong with the power supply. Is the cooker supply on at the isolator switch? Is the clock flashing 0.00? If so set it to the correct time of day. Has the Timer been set to AUTO by mistake. If AUTO is showing on the clock display, press the 'cook period' button and reduce any set cooking time showing to 0.00, with the (+) and (-) buttons. Press the  button twice.

Is the key symbol (ⓘ) showing in the display?

See the Clock section of the instructions for more information on the key lock feature of the clock.

Oven not coming on when automatic cooking

Timer set correctly but oven knob left OFF by mistake?

Is the key symbol (ⓘ) showing in the display?

See the Clock section of the instructions for more information on the key lock feature of the clock.

The oven is not cooking evenly

Do not use a tin or tray larger than 340mm x 305mm.

If you are cooking a large item, be prepared to turn it round during cooking.

If two shelves are used, check that space has been left for the heat to circulate. When the baking tray is put into the oven, make sure it is placed centrally on the shelf.

Check that the door seal is not damaged and that the door catch adjusted so that the door is held firmly against the seal.

NB the seal is intended to have a gap at the bottom of the door

A dish of water when placed on the shelf should be the same depth all over. (For example, if it is deeper at the back, then the back of the cooker should be raised up or the front lowered). If the cooker is not level arrange for your supplier to level it for you.

Food is cooking too slowly, too quickly, or burning

Cooking times may differ from your previous oven. The oven control settings and cooking times are intended to be used only as a guide. Individual tastes may require the gas mark to be altered one gas Mark either way, to get the results you want. Try cooking at a higher shelf position and/or higher Mark. Oven cooking times and temperatures may need to be increased when other burners are in use. Are the oven burner ports blocked with spilt food?

Oven temperature getting hotter as the cooker gets older

If turning the knob down has not worked or only worked for a short time then you may need a new thermostat. This should be fitted by a service person.

The oven light is not working

The bulb has probably blown. You can buy a replacement bulb (which is not covered under the guarantee) from a good electrical shop. Ask for an Edison screw fitting 15w 230v lamp, FOR OVENS. It must be a special bulb, heat resistant to 300°C.

Open the oven door and remove the Handyrack (if fitted) and oven shelves.

Turn off the power supply.

Unscrew the bulb cover by turning anticlockwise. Unscrew the old bulb. Screw in the new bulb, screw back the bulb cover. Turn on the electricity supply and check that the bulb now lights.

Power supply - You think there may be a problem with it

First check the socket by trying out another piece of electrical equipment in it.

If that works, replace the fuse in the cooker plug. Use a 3 amp fuse.

Power failure

In the event of a failure in the electrical supply the hotplate may be lit using a match.

If there is an installation problem and I don't get my original installer to come back to fix it who pays?

You do. Service organisations will charge for their call outs if they are correcting work carried out by your original installer. It's in your interest to track down your original installer.

What cleaning materials are recommended for the cooker?

See the 'Cleaning your cooker' section for recommended cleaning materials. We do not recommend Mr. Muscle, as it contains chemicals that may damage the surfaces of your cooker.



General Safety Instructions

In the UK the cooker must be installed by a CORGI registered engineer.

The installation must be in accordance with the installation instructions and comply with the relevant regulations and also the local gas and electricity supply companies' requirements.

If you smell gas

Don't turn electric switches on or off.

Don't smoke

Don't use naked flames

Do turn off the gas at the meter or cylinder

Do open doors and windows to get rid of the gas

Call your gas supplier.

If you are using natural gas in the UK ring British Gas - Trans Co on

0800 111 999

DO NOT SPRAY AEROSOLS IN THE VICINITY OF THIS APPLIANCE WHILE IT IS IN OPERATION.

WHERE THIS APPLIANCE IS INSTALLED IN MARINE CRAFT OR IN CARAVANS, IT SHALL NOT BE USED AS A SPACE HEATER.

This appliance is designed for domestic cooking only. Use for any other purpose could invalidate any warranty or liability claim.

The use of a gas cooking appliance results in the production of heat and moisture in the room in which it is installed. Ensure that the kitchen is well ventilated: keep natural ventilation holes open or install a mechanical ventilation device, (mechanical extractor hood).

Prolonged intensive use of the appliance may call for additional ventilation, for example opening a window, or more effective ventilation, for example increasing the level of mechanical ventilation where present.

The cooker should be serviced by an Authorised Person and only approved spare parts used.

Have the installer show you the location of the cooker control switch. Mark it for easy reference. Always allow the cooker to cool and then switch off at the mains and before cleaning or carrying out any maintenance work, unless specified otherwise in this guide.

All parts of the cooker become hot with use and will retain heat even after you have stopped cooking.

Take care when touching cooker, to minimize the possibility of burns, always be certain that the controls are in the OFF position and that it is cool before attempting to clean the cooker. Avoid touching heating elements.

Use dry oven gloves when applicable - using damp gloves might result in steam burns when you touch a hot surface. Never operate the cooker with wet hands.

Do not use a towel or other bulky cloth in place of a glove. They might catch fire if they touch a hot surface.

Clean with caution. If a wet sponge or cloth is used to wipe spills on a hot surface, be careful to avoid steam burns. Some cleansers can produce noxious fumes if applied to a hot surface.

Do not use unstable saucepans and position the handles away from the edge of the hotplate.

The appliance is not intended for unsupervised use by young children or infirm persons. Babies, toddlers and young children should not be allowed near the cooker at any time. They should never be allowed to sit or stand on any part of the appliance. Teach them not to play with controls or any other part of the cooker.

Never store anything of interest to children in cabinets above a cooker - children climbing on the cooker to reach them could be seriously injured.

Clean only parts listed in this guide.

In the interests of hygiene and safety the cooker should be kept clean at all times as a build up in fats and other food stuff could result in a fire.

Always keep combustible wall coverings or curtains etc. a safe distance away from your

cooker. For more detail see the Installation section of these instructions.

Do not store or use flammable liquids or materials in the vicinity of this appliance. This includes some cleaning solvents and chemicals used in dry cleaning.

Do not use water on grease fires. Never pick up a flaming pan. Turn the controls off. Smother a flaming pan on a surface unit by covering the pan completely with a well fitting lid or baking tray. If available use a multipurpose dry chemical or foam-type fire extinguisher.

Never leave the hotplate unattended at high heat settings. Pans boiling over can cause smoking and greasy spills may catch on fire.

Never wear loose-fitting or hanging clothes while using the appliance. Be careful when reaching for items stored in cabinets over the hotplate. Flammable material could be ignited if brought in contact with a hot surface unit and may cause severe burns.

Take great care when heating fats and oils, as they will ignite if they get too hot.

Use a deep fat thermometer whenever possible to prevent overheating fat beyond the smoking point.

Never leave a chip pan unattended. Always heat fat slowly, and watch as it heats. Deep fry pans should be only one third full of fat. Filling the pan too full of fat can cause spill over when food is added. If you use a combination of oils or fats in frying, stir them together before heating, or as the fats melt.

Foods for frying should be as dry as possible. Frost on frozen foods or moisture on fresh foods can cause hot fat to bubble up and over the sides of the pan. Carefully watch for spills or overheating of foods when frying at high or medium high temperatures. Never try to move a pan of hot fat, especially a deep fat fryer. Wait until the fat is cool.

When the grill is on, do not use the top of the flue (the slot along the back of the

cooker) for warming plates, dishes, drying tea towels or softening butter.

When using an electrical appliance near the hotplate, be sure that the cord of the appliance does not come into contact with the hotplate.

If you find a crack in the Warmer surface immediately disconnect the appliance from the supply and arrange for its repair.

Take care that no water seeps into the appliance

Only certain types of glass, glass-ceramic, earthenware or other glazed containers are suitable for hotplate cooking; others may break because of the sudden change in temperature.

Do not allow anyone to climb, stand or hang on any part of the cooker.

Do not use aluminium foil to cover shelves, linings or the oven roof.

Make sure that your kitchen is well ventilated at all times. Use extractor fans or hoods when fitted.

Never heat unopened food containers. Pressure build up may make container burst and cause injury.

The cooker is designed for cooking foods only and must not be used for any other purpose.

The oven should NOT be used for heating the kitchen, not only does this waste fuel but the control knobs may become overheated.

When the oven is on DO NOT leave the oven door open for longer than necessary.

The specification of this cooker should not be altered.

This appliance is heavy, take care when moving it.

When the cooker is not in use ensure that the control knobs are in the off position.

Installation

You must be aware of the following safety requirements & regulations

Prior to installation, ensure that the local distribution conditions (nature of the gas and gas pressure) and the adjustment of the appliance are compatible.

This appliance shall be installed in accordance with the regulations in force and only in a well ventilated space. Read the instructions before installing or using this appliance.

In the UK the regulations and standards are as follows:-

In your own interest and that of safety, it is law that all gas appliances be installed by competent persons. CORGI registered installers undertake to work to safe and satisfactory standards. Failure to install the appliance correctly could invalidate any warranty or liability claims and lead to prosecution.

This appliance should not be installed in a boat or caravan.

The cooker must be installed in accordance with:-

- ▶ All relevant British Standards / Codes of Practice, in particular BS 5440 Part 2 2000,
- ▶ or Natural Gas - BS 6172 : 1990 and BS 6891 : 1998
- ▶ For LP Gas - BS 5482-1:1994 (when the installation is in a permanent dwelling).
- ▶ The Gas Safety (Installation and Use) regulations 1998.
- ▶ The relevant Building / IEE regulations.

Provision of Ventilation

This appliance is not connected to a combustion products evacuation device. Particular attention shall be given to the relevant requirements regarding ventilation.

In the UK

The room containing the cooker should have an air supply in accordance with BS 5440 Part 2 : 2000. All rooms require an openable window or equivalent, while some rooms require a permanent vent in addition to the openable window. The cooker should not be installed in a bedsitting room with volume less than 20m³. If it is installed in a room of volume less than 5m³ an air vent of effective area 100cm² is required; if it is installed in a room of volume between 5m³ and 10m³, an air vent of effective area 50cm² is required; while if the volume exceeds 11m³, no air vent is required.

If there are other fuel burning appliances in the same room, BS 5440 Part 2 : 2000 should be consulted to determine the requisite air vent requirements.

Location of Cooker

The cooker may be installed in a kitchen/kitchen diner but NOT in a room containing a bath or shower.

NOTE:

An appliance for use on LPG shall not be installed in a room or internal space below ground level. e.g. in a basement.

All models are supplied set for use on either group H natural gas or for use on LP gas. They cannot be converted from one gas to the other.

This appliance is designed for domestic cooking only. Use for any other purpose could invalidate any warranty or liability claim.

Dear Installer

Before you start your installation, please complete the details BELOW.

If your customer has a problem relating to your installation they will be able to contact you easily.

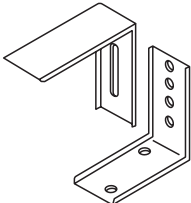
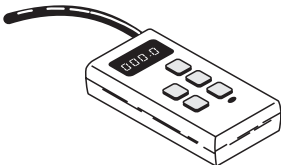
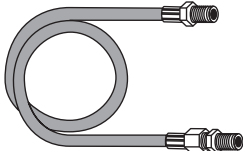
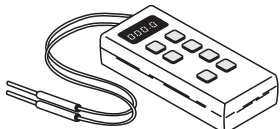
Thank you

Installer's Name

Installer's Company

Installer's Telephone number

You will need the following equipment to complete the cooker installation satisfactorily

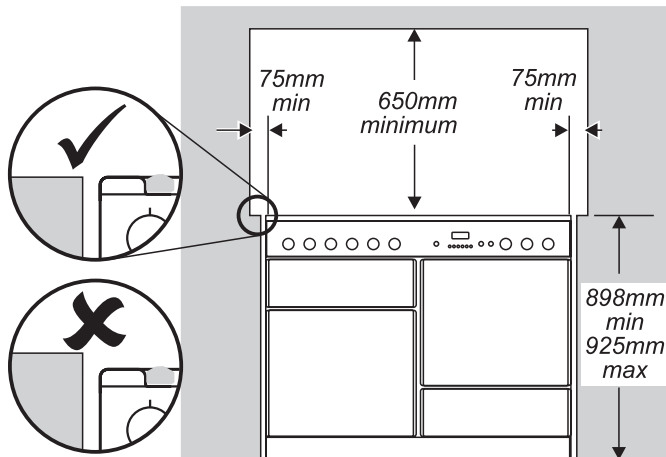
			
<p>STABILITY BRACKET If the cooker is to be supplied with gas through a flexible hose, a stability bracket or chain must be fitted. These are not supplied by with the cooker but are available at most builders merchants.</p>	<p>GAS PRESSURE TESTER It is important the gas pressure is set correctly</p>	<p>FLEXIBLE GAS HOSE Must be in accordance with the relevant standards. For LP Gas it should be suitable for LPG, capable of 50mbar pressure, 70°C temperature rise and carry a red stripe, band or label. A hose is not supplied by with the cooker.</p>	<p>MULTIMETER (for electrical checks) Make sure the installation is electrically safe.</p>

You will also need the following tools:

1. Electric drill
2. Masonry drill bit & Rawlplugs
(only required if fitting the cooker on a stone or concrete floor)
3. Steel tape measure
4. Cross head screwdriver
5. Flat head screwdriver
6. Spirit level
7. Pencil
8. Adjustable spanner
9. Screws for fitting stability bracket

Positioning the Cooker

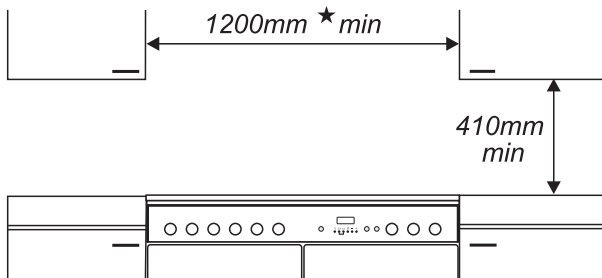
The diagrams below show the minimum recommended distance from the cooker to nearby surfaces.



The hotplate surround should be level with, or above, any adjacent work surface. Above hotplate level a gap of 75mm should be left between each side of the cooker and any adjacent vertical surface.

For non-combustible surfaces (such as unpainted metal or ceramic tiles) this can be reduced to 25mm.

A minimum space of 650mm is required between the top of the hotplate and a horizontal combustible surface.



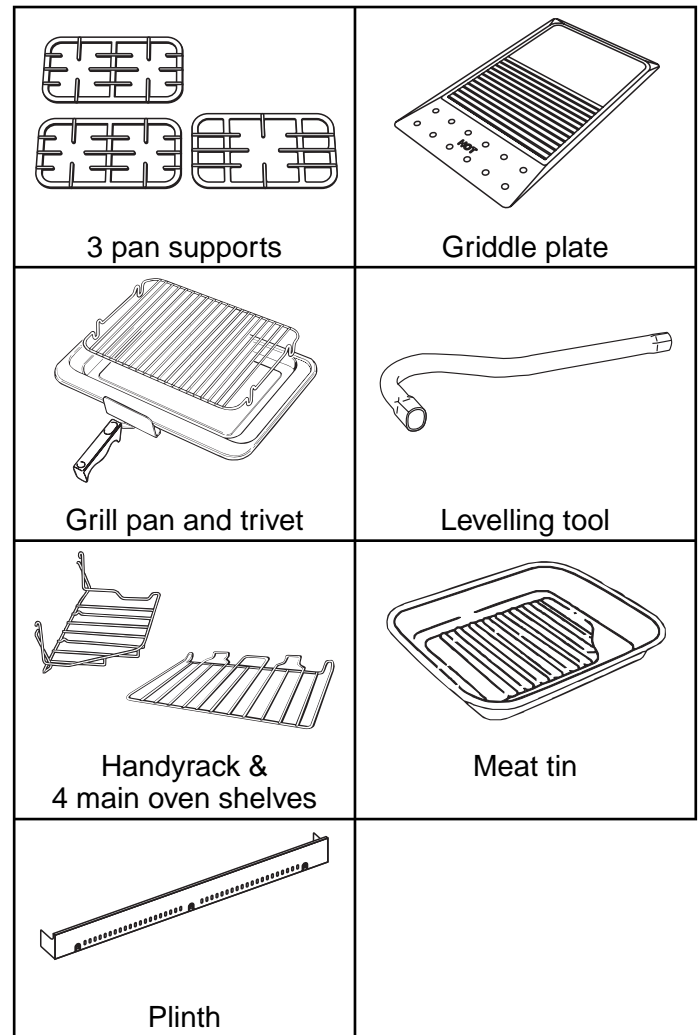
*Any cooker hood should be installed in accordance with the hood manufacturer's instructions.

Surfaces of furniture and walls at the sides and rear of the appliance should be heat, splash and steam resistant. Certain types of vinyl or laminate kitchen furniture are particularly prone to heat damage and discolouration. We cannot accept responsibility for damage caused by normal use of the cooker to any material that de-laminates or discolours at temperatures less than 65°C above room temperature.

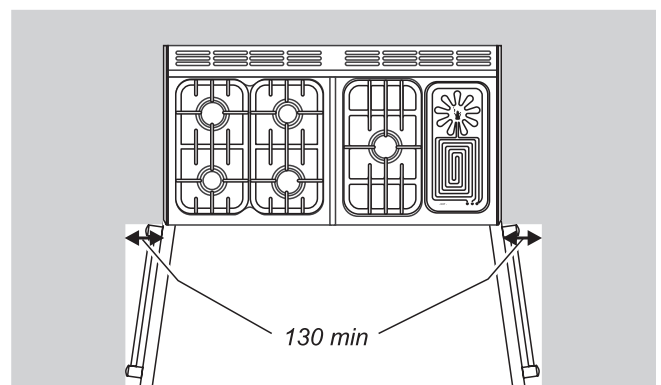
For safety reasons curtains must not be fitted immediately behind the cooker.

We recommend a gap of 1110mm between units to allow for moving the cooker. If a flush fit is required, fit the cooker up to the unit at one side then fit the unit the other side. Do not box the cooker in; it must still be possible to move the cooker in and out for cleaning and servicing. The cooker should not be placed on a base.

Checking the parts



A clearance of 130mm is required if the cooker is near a corner of the kitchen to allow the oven doors to open.

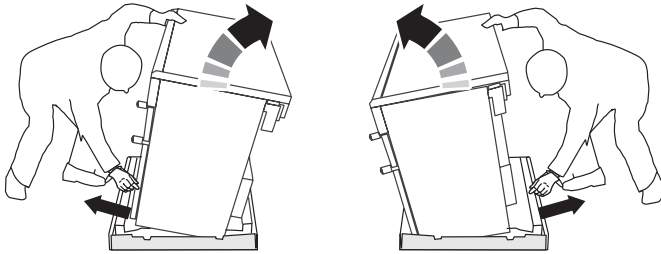


Unpacking the Cooker

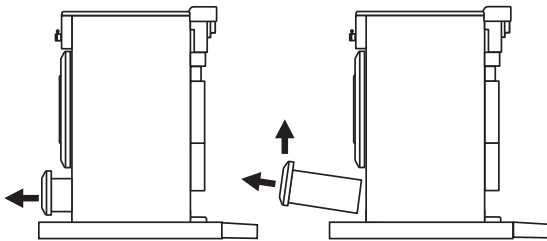
Do not take any packaging off the cooker until it is directly in front of the place it is to be installed (unless it will not fit through a door in its outer packaging). See the loose unpacking sheet.

Moving the Cooker

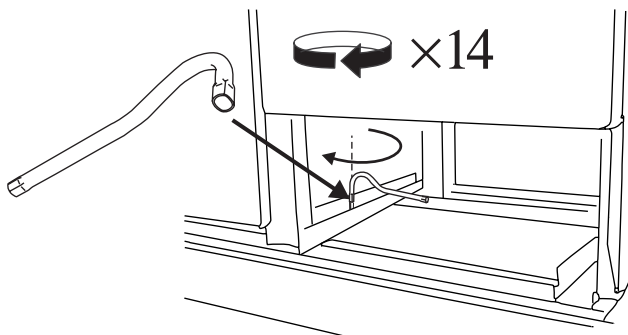
The cooker is very heavy. Take great care. We recommend two people manoeuvre the cooker. Ensure that the floor covering is firmly fixed, or removed to prevent it being disturbed when moving the cooker around. You will need the levelling tool. From the back tilt the cooker forward and remove the rear half of the polystyrene base pack.



Repeat from the front and remove the front half of the poly base. Pull the drawer out to its furthest point. Lift it up and out.

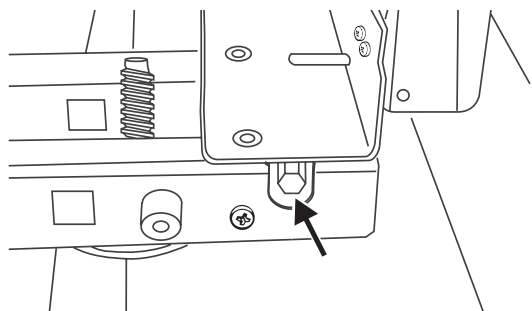


Fit the levelling tool on the rectangular adjuster as shown below.

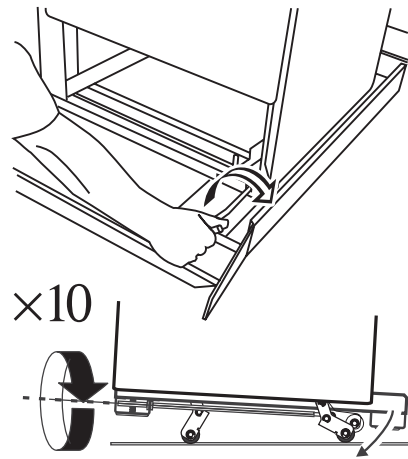


LOWER THE FRONT ROLLER by doing 14 complete (360°) turns clockwise. (This means turning and removing the levelling tool 56 times).

Now LOWER THE TWO REAR ROLLERS. First fit the levelling tool on the hexagonal adjusting nut as shown below.

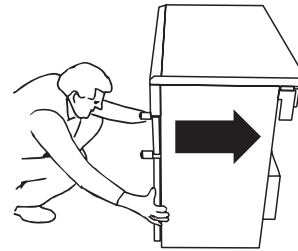


Make 10 complete (360°) turns clockwise. (This means turning and removing the levelling tool 20 times).



Make sure you lower BOTH REAR ROLLERS. There are two adjusting nuts, one for each roller, at both the front bottom corners of the cooker.

Unfold the rear edge of pack base tray. Carefully push the cooker backwards off the pack base and into position. Take care not to damage the power cable. Push the cooker close to its final position, leaving just enough space to get behind it.



Levelling

You are recommended to use a spirit level on a shelf in one of the ovens to check for level.

Place the cooker in its intended position taking care not to twist it within the gap between the kitchen units as damage may occur to the cooker or the units.

The rollers can be adjusted to level the cooker. To adjust the height of the rear of the cooker use the levelling tool supplied to turn the adjusting nuts at the front bottom corners of the cooker.

Adjust the height of the front roller to level the cooker. Turn clockwise to raise the cooker and anticlockwise to lower.

When you are satisfied with the height and level raise the front of the cooker by one turn of the front roller adjuster. Screw down the front feet to meet the floor. Screw the front roller adjuster anticlockwise to raise the front roller so that the front of the cooker is supported on the feet, **not** the front roller, to prevent accidental movement of the cooker.

Leave the levelling tool on the adjuster with the handle of the tool facing the rear of the cooker, so that the customer can use it if they wish to move the cooker.

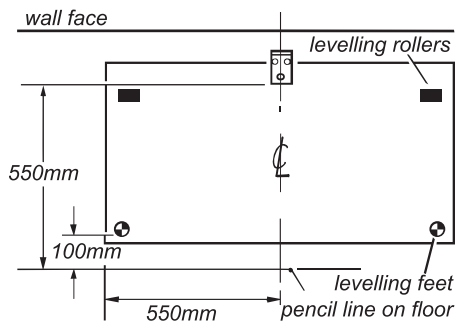
Replace the drawer by locating on side runners and push in.

Fitting a stability bracket

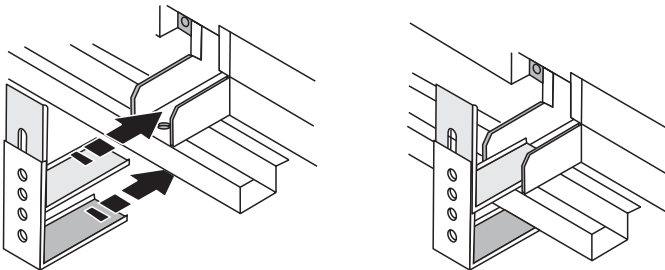
A stability bracket or chain (**not supplied by with the cooker**) should be fitted when the cooker is connected to a flexible gas supply.

When fitting a stability bracket read these instructions together with the leaflet supplied with the bracket.

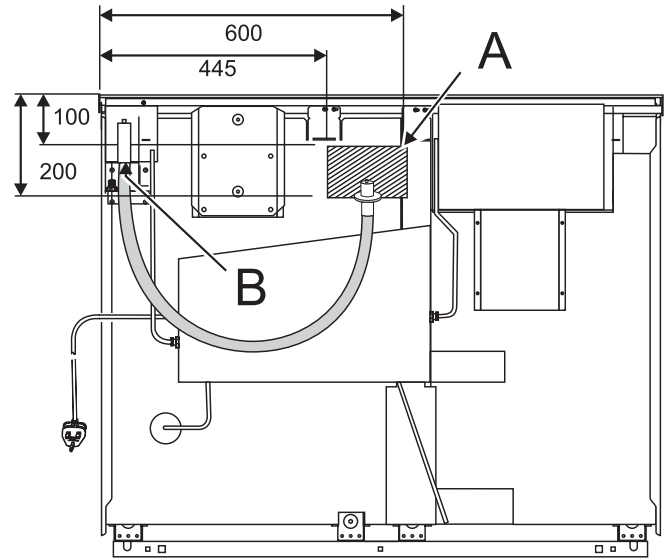
1. Place the cooker in its intended position and level the cooker.
2. Draw a pencil line 100mm from the front edge of the levelling feet.
3. Mark the centre line for the bracket by measuring 550mm from the left hand side of the cooker.



4. Lower the front roller and move the cooker forward.
5. Measure back from the pencil line 550mm to locate the front edge of the bracket. Fix the bracket to the floor.
6. Measure the height from floor level to engagement edge in back of cooker. Add 3mm to this dimension and assemble the stability bracket to this height. (i.e. from floor level to underside of the top member) and ensure the bracket does not foul the oven burner assembly.



Gas Connection



view from the rear

A position for gas supply connector

B appliance gas inlet

The Gas supply needs to terminate with a down facing bayonet. The rear cover boxes limit the position of the supply point.

Because the height of the cooker can be adjusted and each connection is different it is difficult to give precise dimensions. Ideally the house supply bayonet should be in the shaded area shown in the diagram. Although a 3ft hose can be used, a 3ft6" or 4ft hose will allow slightly more flexibility in the positioning of the bayonet and make moving the cooker easier. The hose should be fitted so that both inlet and outlet connections are vertical so that the hose hangs downwards.

The connector is located just below the hotplate level at the rear of the cooker.

For Natural Gas the flexible hose must be in accordance with B.S.669.

For LP Gas it should be capable of 50mbar pressure, 70°C temperature rise and carry a red stripe, band or label.

If in doubt contact your supplier.

Screw connect the threaded end of the hose into the gas inlet in the underside of the connector block on the back of the cooker.

After completing the gas connection, check the cooker is gas sound with a pressure test. When checking for gas leaks do not use washing up liquid - this can corrode. Use a product specifically manufactured for leak detection.

Pressure testing

The gas pressure can be measured at the injector of one of the LH hotplate burners. Remove the pan support, burner head and caps. The injector is now accessible.

For Natural Gas cookers the pressure should be 20mbar.

For LP Gas cookers the pressure should be 29mbar for Butane
37mbar for Propane.

Reassemble burner top, making sure it is reassembled in the correct way on the burner body.

Electrical Connection

WARNING: THIS COOKER MUST BE EARTHED.

All external wiring must comply with the IEE Regulations for the Electrical Equipment of Buildings. Connection to the electrical supply can be made with either a plug and socket or be permanently wired via a double pole switch. The cooker is supplied with a 3 core cable 2m long. If a replacement cable is fitted it must be 250v high temperature PVC (85°C), 1mm². Should the plug not fit the socket in your home, it should be removed and replaced with a suitable plug. Note: If a plug is fitted which is not suitable, it must be cut off and disposed of properly. To avoid the risk of electrocution, the plug must not be left where children might find it and plug it into a supply socket.

Three pin plugs to BS1363 with a capacity of not less than 13A must be used and fitted with a 3 amp fuse 'ASTA' approved to BS 1362.

After replacing the fuse the cover must be refitted. If the cover is lost, the plug must not be used until a replacement cover has been obtained from your supplier. The colour of the correct fuse carrier is that of the coloured insert in the base of the fuse recess, or stated elsewhere on the plug. Always state this colour when ordering a replacement fuse carrier.

IMPORTANT The wires in the mains lead are coloured in accordance with the following code:-

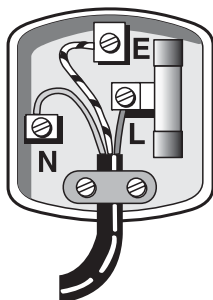
GREEN AND YELLOW: EARTH

BLUE: NEUTRAL

BROWN: LIVE

The wires should be connected into the terminal of your plug as shown:

NEUTRAL: to the terminal marked N, or coloured BLACK or BLUE.



EARTH: to the terminal marked E, or coloured GREEN or GREEN /YELLOW.

LIVE: to the terminal marked L, or coloured RED or BROWN.

Electrical checks

EARTH CONTINUITY CHECK

The cooker must be disconnected from the power supply. Set your meter to Ω (ohm) on the X1 scale and adjust to zero if necessary.

Test the leads from any of the cooker's earth points (e.g. inside electric box cover) - to the earth pin on the cooker's plug - resistance should be less than 1 Ω (ohm). If it is not, check all the earth wires for continuity. Check that all contacts are clean and tight. Re-check. If the resistance is still greater than 1 Ω (ohm) there may be a problem, consult a qualified electrical engineer.

POLARITY CHECK

The cooker must be connected to the power supply. Your meter should be set on 300V ac scale.

Test at the cooker terminal block:

1. Test leads from L to N. Your meter should read approx. 220-240V ac.
2. Test leads from L to E. Your meter should read approx. 220-240V ac.
3. Test leads from N to E. Your meter should read approx. 0-15V ac.

If the readings are different from these values there is an electrical fault. Rectify any fault and repeat the test. If necessary repeat the test at the supply system socket/spur - if the fault also occurs at this stage then there is a house system fault which requires attention by the Electrical Authority.

The customer should be warned NOT to use the appliance until this examination has been carried out.

Hotplate check

Check each burner in turn. Push in each knob and turn it to the large flame symbol. Press the ignition button, release the button when the burner lights.

Grill check

Open the grill compartment door.

Natural gas models

Press in the grill knob, turn to the large flame symbol (♠) and press the igniter button or light with a match.

LP gas models

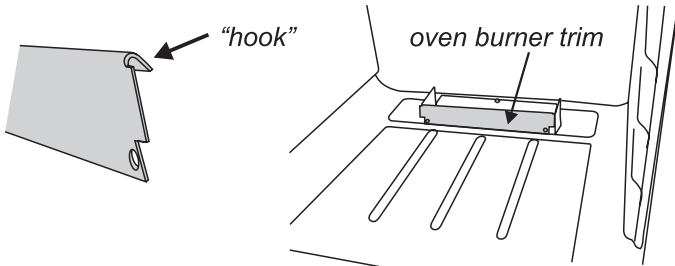
LP gas models have an FSD with stops the flow of gas to the grill if the flame goes out. Turn the knob to the large flame symbol (♠). Press in the grill knob. This lets gas through to the burner. Keep holding the knob pressed in and press the igniter button or light with a match. Keep holding the button for about 10 seconds

If when you let go of the control knob the burner goes out, the safety device has not held in. Turn off the grill and wait one minute then try again this time holding in the button for slightly longer.

Fitting the oven burner trim (supplied with some models only)

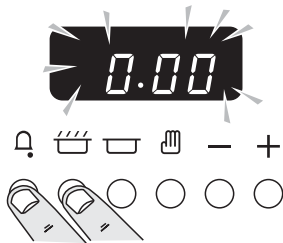


The loose oven burner trim hooks onto the front of the oven burner bracket.



Oven check

The clock must be set to the time of day before the ovens will work.



Press and hold as above.

At the same time, press - or + until the correct time shows.

Don't forget it's a 24 hour clock.

If you make a mistake or press the wrong button, turn off the power supply for a minute or two and start again.

CONTROL KNOB (THERMOSTAT) CHECK

If (AUTO) is flashing, press and release the manual () button. Check each oven in turn. Push in and turn the control knob to Mark 9. A series of sparks will occur at the oven electrode and when the oven burner lights the sparking will stop. A small flame will appear on the oven burner, but as this flame is 'sensed' by the flame supervision device, the gas flow will come on full after a short delay. Heat each oven for 10 minutes at Mark 9 then turn to Mark 1 and check that the flame size has reduced. Turn off each oven and check that the oven burner goes out.

TIMER AND SOLENOID CHECK

Automatic Operation of Timer: The gas supply to each oven can be controlled by the timer. Set a 'cooking period' time by pressing and releasing the () button and using the + button to give a time of 2 minutes. By pressing and releasing the 'stop time' button () the stop time is displayed. Add 3 minutes to this time by using the + button. The display will automatically change to show the time of day, the cooking symbol () will go out and (AUTO) will show.

Push in and turn one of the oven knobs to Mark 9, the timer will run until the 'cook period' starts, when

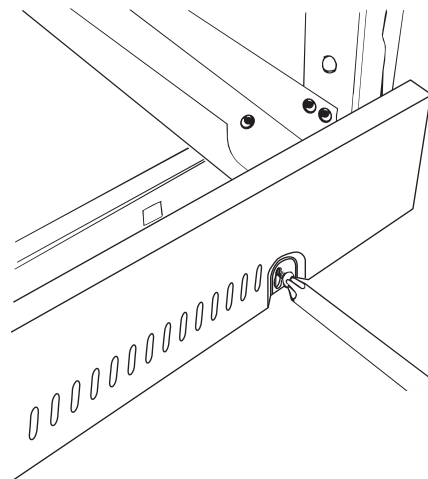
the oven solenoid will open and the burner will light automatically. The cooking symbol () will show. At the end of the 'cooking period' the solenoid will close, the oven burner will go out and the beeper will sound (the beeper may be stopped by pressing the timer () button). The flashing (AUTO) symbol is a reminder to reset to manual operation. Pressing the reset' button () once to stop the beep and a second time to return to manual, turn off the oven knob.

CONTROL KNOB (THERMOSTAT) CHECK

Set timer to manual. Check each oven in turn. Push in and turn the control knob to Mark 9. A series of sparks will occur at the oven electrode and when the oven burner lights the sparking will stop. A small flame will appear on the oven burner, but as this flame is 'sensed' by the flame supervision device, the gas flow will come on full after a short delay. Heat each oven for 10 minutes at Mark 9 then turn to Mark 1 and check that the flame size has reduced. Turn off each oven and check that the oven burner goes out.

Fitting the plinth

Loosen the 3 screws along the front bottom edge of the cooker. Hook the central keyhole over the central screw. Twist and fit each end keyhole over their respective screws. Tighten the fixing screws.



Customer care

Please complete your details in this Guide, inform the user how to operate the cooker and hand over the Instructions.

Thank you.

WARNING - SERVICING TO BE CARRIED OUT ONLY BY AN AUTHORISED PERSON
 Disconnect from electricity and gas before servicing. Check appliance is safe when you have finished.

Servicing Notes

When servicing or replacing gas carrying components disconnect from gas before commencing operation and check appliance is gas sound after completion. When checking for gas leaks use a liquid leak detector at all joints and connections to check for leaks in the system. Use a product specifically manufactured for leak detection. Leak testing of the appliance shall be conducted in accordance to the manufacturer's instructions.

CAUTION: DO NOT USE A FLAME TO CHECK FOR GAS LEAKS.

Do not use re-conditioned or unauthorised gas controls.

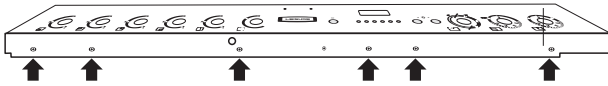
Disconnect from electricity supply before commencing servicing, particularly before removing any of the following: control panel, side panels, cooktop tray, or any of the electrical components or cover boxes. Before electrical reconnection check that the appliance is electrically safe.

1 To Remove the Control Panel

Disconnect from electricity supply.

Pull off all the control knobs.

Open the grill door and R H oven door and remove the fixing screws underneath the control panel. NB some models have a plate under the fascia held in place by the bottom fixing screws.



Slide the fascia panel to the right and then pull forward. Disconnect leads from back of switches and timer. Lift fascia panel clear of cooker.

Reassemble in reverse order. When replacing leads refer to the wiring diagram. Check operation of timer, ignition, and oven light switches

2. To Remove Hotplate Trays

Disconnect from electricity supply.

Pull the cooker forward to gain access to the rear

Left hand tray

From the rear remove the screws securing the flue grille to the hotplate tray. Remove pan supports, burner heads and caps. Remove the 4 screws and washers holding the hotplate tray to the frame. Raise the front of the hotplate then withdraw.

Right hand tray

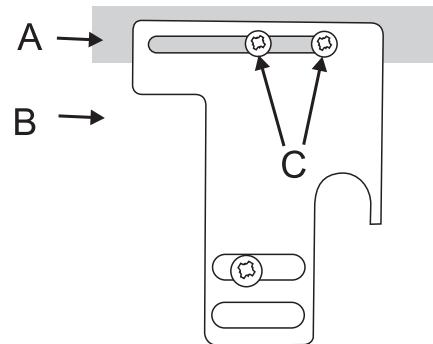
From the rear remove the screws securing the flue grille to the hotplate tray. If the LH hotplate has not been removed, slacken the screws holding the L H tray. Remove pan support, burner head, caps and trim rings. Remove the screws holding the High burner to the hotplate. Remove the two screws and

washers holding the RH tray to the frame. Press the High burner down slightly and, taking care not to damage the High burner electrode, slide the tray about 30mm to right to clear the locating brackets on the R H side. Lift tray slightly at the front and taking care not to stress the Warmer/lead junction, disconnect the leads to the Warmer neon and separate the leads at the piggybacks. Withdraw the hotplate.

Reassemble in reverse order ensuring that the leads are reconnected. When replacing the RH hotplate take care not to damage the ignition electrode of the High burner.

It is important that the rear fixing screws are refitted as they form part of the cooker earthing.

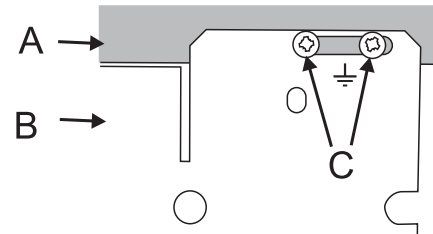
On some models there is a separate plate.



A flue grill, B cooker backsheet, C earthing/fixing screws

On others it is a tag on the cooker backsheet.

It is important that the tag is on the outside and that both fixing screws are fitted.



A flue grill, B cooker backsheet, C earthing/fixing screws

Check for correct burner operation.

3. To Remove Side Panels

Disconnect from electricity supply.

Remove the Control Panel - see 1. Pull the cooker forward. Remove the 4 retaining screws for each panel (1 at the front base, 1 on the top and 2 at the rear).

Reassemble in reverse order.

WARNING - SERVICING TO BE CARRIED OUT ONLY BY AN AUTHORISED PERSON
Disconnect from electricity and gas before servicing. Check appliance is safe when you have finished.

4. To Remove Ignition/light Switch

Remove the Control Panel - see 1.

NB. The old switch may be destroyed during removal. Remove the old switch from its bezel by gripping the switch body behind the control panel and twisting sharply. The switch bezel can then be removed by folding back its locking wings and pushing forward. Fit the new bezel to the control panel by first lining up the raised key on its body with the cutout in the control panel and pushing it in from the front. Assemble the new switch to the bezel by lining up the key sections and pushing home. Fit the new button by pushing in from the front.

Replace Control Panel in reverse order and test for ignition.

5. To Remove Clock

Disconnect from electricity supply.

Remove the Control Panel (See 2). Pull off the timer control button(s).

Remove the timer/mounting bracket assembly from the control panel by removing the fixing screws.

Remove the timer from its mounting bracket by depressing the plastic lugs on the timer case, at the same time pulling the unit forward.

Reassemble in reverse order. When replacing leads refer to the wiring diagram. Check operation of timer.

BEFORE SERVICING ANY GAS CARRYING COMPONENTS TURN OFF GAS SUPPLY.

6. To Remove a Thermostat

Remove RH hotplate tray. (For L H oven remove L H side panel - see 2.) Open appropriate oven door.

Unclip the thermostat phial from the clips at the front of the oven roof. Disconnect tubing nut at rear of thermostat and remove the screw(s) securing the thermostat to the gas rail. Remove thermostat and gasket/seal. When fitting replacement thermostat use the new gasket/seal supplied.

Ensure that the capillary is clipped to the bracket at the front of the oven roof.

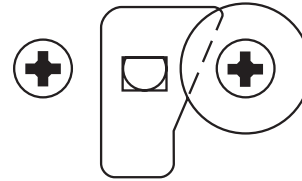
Reassemble in reverse order. Check appliance is gas sound. Check operation of thermostat.

7. To Change Grill Control Tap

Remove the fascia panel, see 2. Lift up the RH hotplate tray front (see 2). For LP cookers, unplug the FSD lead from the rear of the tap. Undo the gas connection to rear of valve and remove the screw(s) securing tap to gas rail. Remove old tap, discard old gasket/seal. Fit new gasket/seal to new tap.

Reassemble in reverse order. Check tap is adjusted for correct gas. Check appliance is gas sound.

8. To Change Warmer Switch



Remove RH hotplate tray. (see 4). Disconnect wiring from Warmer switch. Remove 2 screws holding switch to mounting panel, taking care not to lose the switch rotation limiter. Fit new switch and reassemble in reverse order. Check for correct operation.

BEFORE SERVICING ANY GAS CARRYING COMPONENTS TURN OFF GAS SUPPLY.

9. To Change Hotplate Control Tap

Remove the fascia panel, see 2. Lift up the LH hotplate tray front (see 2). Remove the heat shield (2 screws). Undo the nut at rear of the tap and remove the screw(s) securing tap to gas rail. Remove old tap, discard old gasket/seal. Fit new gasket/seal to new tap.

Reassemble in reverse order. Check tap is adjusted for correct gas. Check appliance is gas sound.

10. To Change Hotplate Burner Injector

Remove burner cap and head. Remove old jet. Fit new injector. Reassemble in reverse order. Check appliance is gas sound.

11. To Change Hotplate Burner Electrode

Lift off pan supports, remove burner cap. Remove the screw holding the electrode. Pull electrode vertically up sufficiently to grip the lead between thumb and forefinger. Pull off the electrode, but keep hold of the lead. Fit new electrode to the lead. Fix electrode in burner with screw. Replace burner cap. Check the burner ignition. Replace pan supports.

12. To Remove or Change a Hotplate Burner.

Remove the hotplate tray (see 2).

LH hotplate burners

Remove heat shield (2 screws). The burners are mounted in 2's on cross supports. Disconnect the burner feed pipes at the burners. Remove the screw on the right holding the cross support. Slide the support to the right to release in from the left hand location. Lift the cross support and burners clear. The burners are fixed to the cross supports with 2 screws. Remove the appropriate burner and fit the new one. Reassemble in reverse order. Check burner operation is satisfactory.

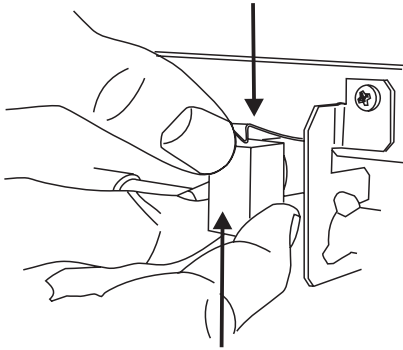
RH Wok burner

Disconnect the burner feed pipes at the burner. Fit the new one and reassemble in reverse order. Check burner operation is satisfactory.

WARNING - SERVICING TO BE CARRIED OUT ONLY BY AN AUTHORISED PERSON
 Disconnect from electricity and gas before servicing. Check appliance is safe when you have finished.

13. To Change Grill Injector

Remove the hotplate control panel, see 2.
 spring clip



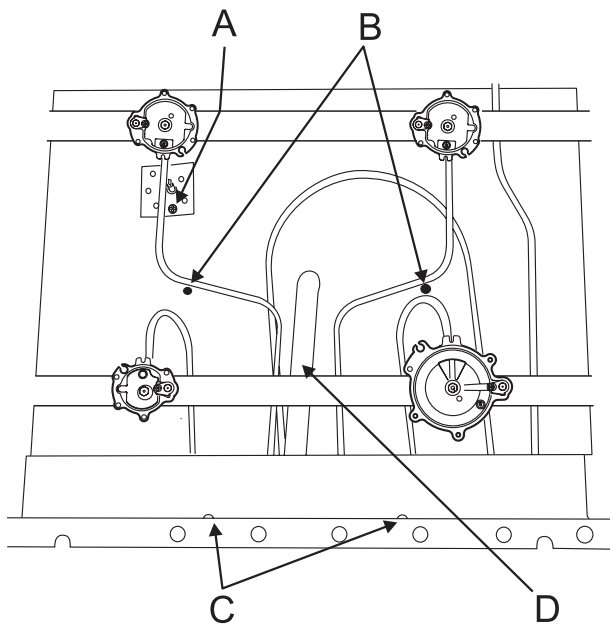
grill injector holder

Lift up the spring clip retaining the grill injector holder and slide the injector holder out of the burner venturi. Remove grill jet from adaptor and fit new jet (see table below for correct jet). Put the injector holder back in the burner venturi.

14. To Change Grill Burner

Remove grill injector see 13.

- A grill electrode plate fixing screw
- B position of grill burner fixing screws
- C front shield fixing screws
- D grill venturi



Remove the 2 screws holding the front shield and remove the shield. Turn the grill venturi clockwise to clear the front cross-member, lift up and remove. For models with ignition disconnect the electrode lead and remove the screw holding the plate around the grill electrode. Support the grill burner from below and remove the two screws (under the foil wrap) securing grill burner the top of grill chamber. Remove grill burner.

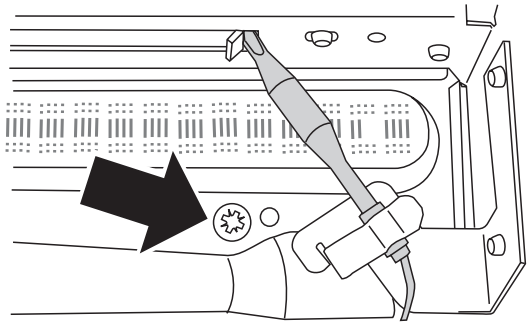
Reassemble in reverse order taking care not to damage the grill electrode (where fitted).

15. To Change Grill Electrode

Remove the grill burner see 14. Withdraw electrode and pull off electrode lead. Fit lead to new electrode. Reassemble in reverse order and check ignition is satisfactory.

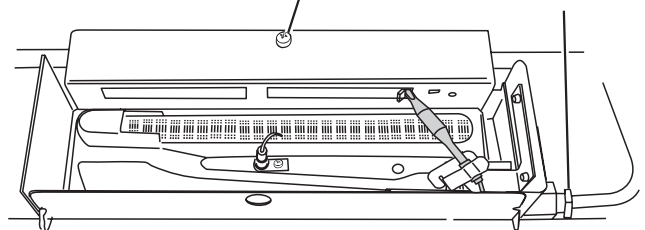
16. To Remove an Oven Burner

Open oven door and remove oven furniture. Remove securing screw at the right hand end. The burner is held in place by dimples in the mounting bracket. Slide the burner to the left and lift up taking care not to disturb the flame supervision device probe position. Reassemble in reverse order. Check the flame supervision device probe has not been disturbed.



17. To Change Oven Burner Assembly

oven burner assembly fixing screw
 tube nut



Open oven door. Disconnect the tube nut and tubing. Remove screw holding the oven burner assembly and withdraw complete assembly. Remove oven burner. Fit oven burner to new assembly. Replace complete assembly in the oven. Reconnect tube nut. Check appliance is gas sound. Check correct flame supervision device operation.

18. To Change Oven Burner Injector

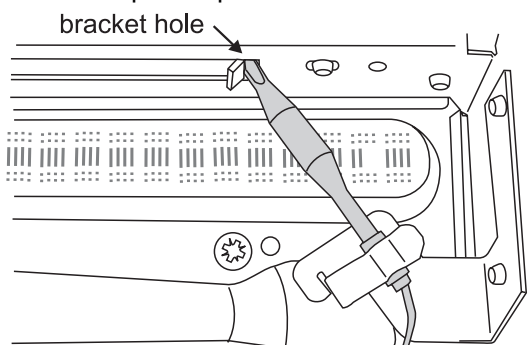
The jet is fixed to the oven burner. Change the oven burner assembly - see 17.

WARNING - SERVICING TO BE CARRIED OUT ONLY BY AN AUTHORISED PERSON
 Disconnect from electricity and gas before servicing. Check appliance is safe when you have finished.

19. To Change an Oven FSD/Solenoid

Move the cooker forward to gain access to the rear. See 'Moving the Cooker' in installation section. Remove the screws securing the cover box to the backsheet. Disconnect solenoid leads at generator (or generator and inline connector) and remove earth lead from earth screw. Unclip wires from cable ties. Open oven door, remove oven furniture.

Remove the FSD probe from the probe bracket. Pull probe clear from the bracket. From the rear of cooker carefully withdraw capillary. Disconnect the tubes from the FSD inlet and outlet. Remove FSD adaptor locknut and remove assembly from bracket. Fit new assembly and secure to bracket with FSD adaptor locknut. Ensure that the capillary passes through clearance hole in the backsheet. Fit probe into bracket by inserting end into bracket hole. Locating small ferule in spring clip by positioning it below the clip and lifting upwards at the same time as prising the spring clip open until it clips into position.



Replace leads (refer to wiring diagram). Replace wires in cable ties. Check appliance is gas sound. Refit cover box. Check for correct operation of solenoid/FSD.

20. To Change Oven Electrode

Remove oven burner (see 16). Remove screw and nut securing the electrode to the burner. Pull lead from back of electrode and fit to new electrode. Fit new electrode to burner.

Reassemble in reverse order. Check ignition.

21. To Remove Grill Door

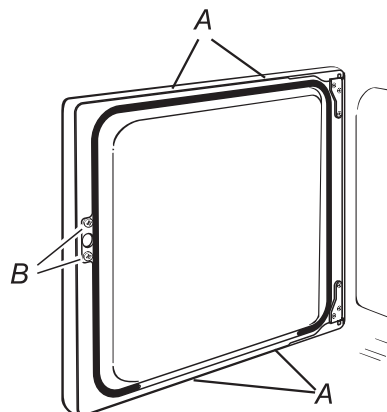
Remove L H side panel (see 3). Remove the plinth (4 screws) and the central vertical cover (5 screws). Remove the two countersunk screws (1 each side) securing the grill hinge arms to the front of the grill chamber.

NOTE: The arms are spring tensioned. Carefully remove the grill door. Retain the gaskets.

Reassemble in reverse order ensuring that the gasket is fitted between the hinge arm and the front of the grill chamber.

22. To Change Oven Door Outer Panel

Move the cooker forward to gain access to the sides. Open the oven door slightly and remove the front panel fixing screws from the door top and bottom (A).



Carefully lift off the outer door panel.

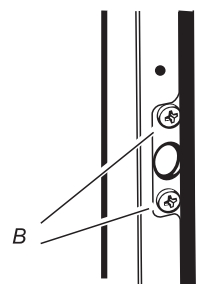
Remove door handle from panel by unscrewing 2 retaining nuts. Fit door handle to new panel

Fit panel to door. Reassemble in reverse order.

23. To Change Oven Door Latch

Remove outer door panel (see 22). Remove screws 'B' holding latch assembly to inner door panel. Fit new catch and reassemble in reverse order.

Check correct door operation.



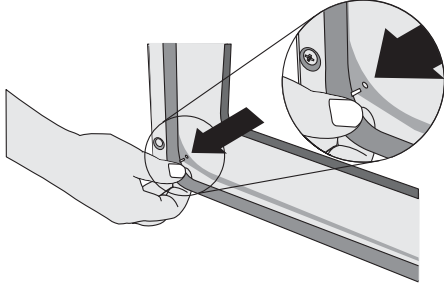
24. To Adjust an Oven Door Catch Keep

Open oven door, slacken off locknut at base of keep, and screw in or out as required until required fit is obtained. Retighten locking nut.

WARNING - SERVICING TO BE CARRIED OUT ONLY BY AN AUTHORISED PERSON
Disconnect from electricity and gas before servicing. Check appliance is safe when you have finished.

25. To Change Oven Door Seal

Open oven door. The seal is held in place by small hooks on the rear face. At the corner pull seal diagonally away from the door centre until that hook is released. Proceed to the next hook and release it in a similar way, and so on. Use force if the hooks are stiff, as the old seal will be discarded.



When fitting new seal, position the seal join at the bottom. Hook the new seal in one of the corner holes of the door, and proceed round the door snapping in each hook in turn.

26. To Change Warmer Neon

Remove RH hotplate (see 2). Carefully place hotplate upside down on a suitable flat surface. Remove 2 screws holding neon bracket to Warmer frame. Fit new neon and bracket assembly.

Reassemble in reverse order and check for correct operation.

27. To Change Warmer

Remove RH hotplate, see 2. Fit new RH hotplate and reassemble in reverse order.

Check High burner and Warmer operation is satisfactory.

28. To Change Ignition Generator

Disconnect from electricity supply.

Pull cooker forward to gain access to the cover box at the rear of the cooker. Remove the screws securing the cover and lift clear. Pull off all the leads to the generator noting their positions. Slacken the two screws holding generator to cooker and remove generator.

Fit new generator to cooker and replace leads. Reassemble in reverse order. Refer to wiring diagram. Check ignition performance.

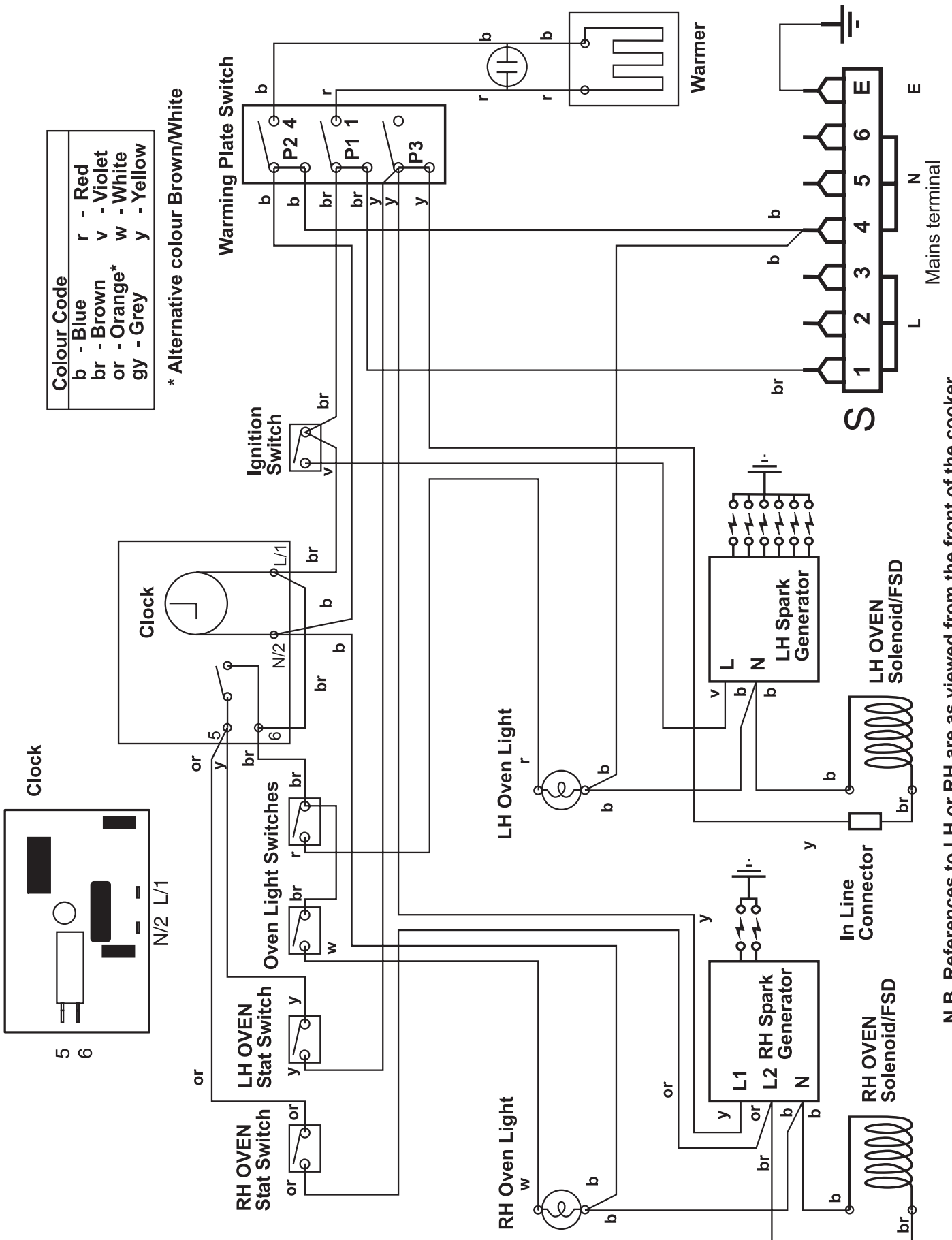
29. To change oven light bulb.

Disconnect from electricity supply.

Open the oven door and remove the Handyrack (if fitted) and oven shelves.

Unscrew the bulb cover by turning anticlockwise. Unscrew the old bulb. Screw in the new bulb, screw back the bulb cover. Turn on the electricity supply and check that the bulb now lights.

Circuit Diagram



N.B. References to LH or RH are as viewed from the front of the cooker.

Technical Data

This cooker is designed for use on either :-

NATURAL GAS (Cat I2H) at 20mbar or LP GAS (Cat I3+) Butane 29mbar / Propane 37mbar.

NB: THE NATURAL GAS AND LP GAS VERSIONS OF THESE COOKERS ARE DIFFERENT MODELS AND **CANNOT** BE CONVERTED FROM ONE GAS FAMILY TO THE OTHER

INSTALLER: Please leave these instructions with the User.

DATA BADGE LOCATION : LOWER RIGHT HAND COOKER UPRIGHT (Remove storage drawer)

Country of Destination: GB

Gas		Electric
Natural Gas	20mbar	220 - 240V 50Hz
Butane	29mbar	
Propane	37mbar	

(See appliance data badge for test pressures)

Dimensions

Overall height	minimum 893mm	maximum 920mm
Overall width	1100mm See 'Positioning of Cooker'	
Overall depth	648mm	
Space for fixing	See 'Positioning of Cooker'	
Minimum space above hotplate	650mm	

Connections

Gas:	Electric
Rp 1/2 at rear right-hand side	220 - 240V 50Hz

Ratings

Hotplate	Natural Gas		L.P. Gas	
		Injector		Injector
Right hand High burner	3.0kW	128	3.0kW (210g/h)	87
Large Burner	3.0kW	134	3.0kW (210g/h)	87
Medium Burners	1.7kW	109	1.7kW (119g/h)	68
Small Burner	1.0kW	75	1.0kW (70g/h)	51
Ovens	3.2kW	237	2.9kW (224g/h)	85
Grill	2.73kW	190	2.73kW (192g/h)	85

Gas burner inputs based on Gross Calorific Value

Warmer	160W
--------	------

RANGEmaster

Clarence Street, Royal Leamington Spa,
Warwickshire, CV31 2AD, England.
Tel: +44 (0) 1926 457400 Fax: +44 (0) 1926 450526
E-mail: consumers@rangemaster.co.uk
www.rangemaster.co.uk

AGA FOODSERVICE GROUP

