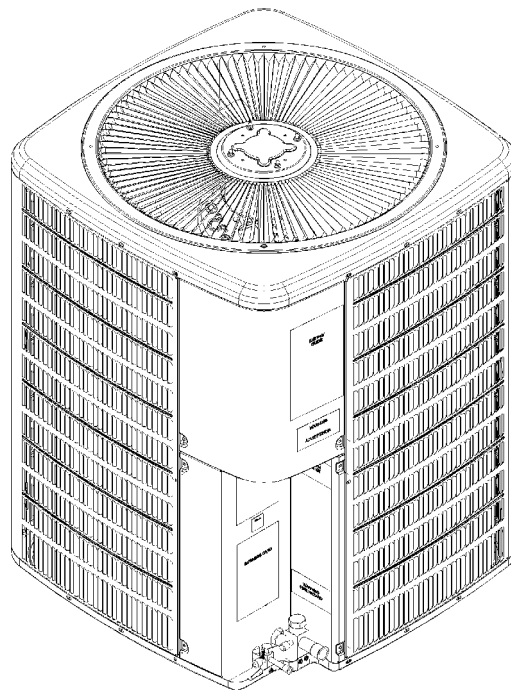


# REPAIR PARTS

## SSX 14 SEER AC R410A

SSX140181AA  
SSX140181AB  
SSX140181AC  
SSX140241AA  
SSX140241AB  
SSX140241AC  
SSX140301AA  
SSX140301AB  
SSX140301AC  
SSX140301AD  
SSX140301AE  
SSX140361AA  
SSX140361AB  
SSX140361AC  
SSX140361AD  
SSX140361AE  
SSX140421AA  
SSX140421AB  
SSX140421AC  
SSX140421AD  
SSX140421AE  
SSX140421BA  
SSX140481AA  
SSX140481AB  
SSX140481AC  
SSX140481AD  
SSX140481AE  
SSX140601AA  
SSX140601AB  
SSX140601AC  
SSX140601AD  
SSX140601AE



Goodman Manufacturing Company, L.P.  
5151 San Felipe, Suite 500  
Houston, TX 77056

[www.goodmanmfg.com](http://www.goodmanmfg.com) [www.amana-hac.com](http://www.amana-hac.com)

RP-357E  
June 2007

# Important Information

---

## Index

|                              |        |
|------------------------------|--------|
| Functional Parts List .....  | 3      |
| Illustration and Parts ..... | 6 - 11 |

*Views shown are for parts illustrations only, not servicing procedures*

This system uses R410A refrigerant. If sealed system work is required, use approved equipment and follow service procedures. Refer to Service Manual or Installation Instructions for service procedures.

Rev.E: Added models SSX140421BA.

### Text Codes:

AR - As Required

NA - Not Available

NS - Not Shown

00000000 - See Note

QTY - Quantity Example (QTY 3) (If Quantity not shown, Quantity = 1)

M - Model Example (M1) (If M Code not shown, then part is used on all Models)

### Expanded Model Nomenclature:

|   |
|---|
| Example<br>M1 - Model#1<br>M2 - Model#2<br>M3 - Model#3 |
|---|

Goodman Manufacturing Company, L.P. is not responsible for personal injury or property damage resulting from improper service. Review all service information before beginning repairs.

Warranty service must be performed by an authorized technician, using authorized factory parts. If service is required after the warranty expires, Goodman Manufacturing Company, L.P. also recommends contacting an authorized technician and using authorized factory parts.

Goodman Manufacturing Company, L.P. reserves the right to discontinue, or change at any time, specifications or designs without notice or without incurring obligations.

For assistance within the U.S.A. contact:  
Consumer Affairs Department  
Goodman Manufacturing Company, L.P.  
7401 Security Way  
Houston, Texas 77040  
877-254-4729-Telephone  
713-863-2382-Facsimile

For assistance outside the U.S.A. contact:  
International Division  
Goodman Manufacturing Company, L.P.  
7401 Security Way  
Houston, Texas 77040  
713-861-2500-Telephone  
713-863-2382-Facsimile

# Functional Parts

## Part

## No: Description:

| Part No:       | Description:  | Part No:     | Description:  |
|----------------|---|--------------|---|
|                |   | B1789857     | FLOW CHECK PISTON KIT (M4, M5, M6)  |
| 0201R00139     | ASSY, SERVICE COIL (M10, M11)   | B1789863     | FLOW CHECK PISTON KIT (M7, M8, M9, M10, M11)  |
| 0201R00138     | ASSY, SERVICE COIL (M3, M6)   | B1789867     | FLOW CHECK PISTON KIT (M12, M13, M14, M15, M16)   |
| 0201R00137     | ASSY, SERVICE COIL (M31, M32)   | B1789874     | FLOW CHECK PISTON KIT (M17, M18, M19, M20, M21, M22)  |
| 0201R00134     | ASSY, SERVICE COIL (M20, M21, M26, M27)   | B1789879     | FLOW CHECK PISTON KIT (M23, M24, M25, M26, M27)   |
| 0201R00118     | ASSY, SERVICE COIL (M22)  | B1789888     | FLOW CHECK PISTON KIT (M28, M29, M30, M31, M32)   |
| 0201R00056     | ASSY, SERVICE COIL (M12, M13, M14)  | 0159R00000P  | HARNESS, COMPRESSOR SCROLL 130 36" (M1, M2, M3, M4, M5, M6)   |
| 0201R00055     | ASSY, SERVICE COIL (M7, M8, M9)   | 20048207     | HARNESS, COMPRESSOR SCROLL 130 42" (M7, M8, M9, M10, M11, M12, M13, M14, M15, M16)  |
| 1362111        | ASSY, SERVICE COIL (M28, M29, M30)  | 0159R00002P  | HARNESS, COMPRESSOR SCROLL 130 46" (M17, M18, M19, M20, M21, M22, M23, M24, M25, M26, M27, M28, M29, M30, M31, M32)                     |
| 1362110        | ASSY, SERVICE COIL (M17, M18, M19, M23, M24, M25)   | 0131M00019PS | MOTOR 1/12 HP, 1 SP, 8 PL (M1, M2, M3, M4, M5, M6)  |
| 0201R00054     | ASSY, SERVICE COIL (M1, M2, M4, M5)   | 0131M00061   | MOTOR 1/4 HP, 1 SP, 8 PL (M14, M16, M19, M21, M25, M27, M30, M32)   |
| 0201R00140     | ASSY, SERVICE COIL (M15, M16)   | 0131M00014PS | MOTOR 1/4 HP, 1 SP, 8 PL (M12, M13, M15, M17, M18, M20, M23, M24, M26, M28, M29, M31)   |
| CAP050300370RS | CAPACITOR 5/30/370V (M1, M2, M3)  | 0131M00060   | MOTOR 1/6 HP 1 SP 8 PL (M9, M11)  |
| B94575300      | CAPACITOR 5/35/370 (M4, M5, M6)   | 0131M00012PS | MOTOR 1/6 HP, 1 SP, 8 PL (M22)  |
| CAP050400370RS | CAPACITOR 5/40/370V (M7, M8, M9, M10, M11)  | 0131M00016PS | MOTOR 1/6 HP, 1 SP, 8 PL (M7, M8, M10)  |
| CAP050450370RS | CAPACITOR 5/45/370V (M12, M13, M14, M15, M16, M17, M18, M19, M20, M21, M22, M23, M24, M25, M26, M27)      | 0151R00002P  | VALVE, SERVICE 3/4" OPEN LEFT (M1, M2, M3, M4, M5, M6, M7, M8, M9, M10, M11)  |
| CAP050700370RT | CAPACITOR 5/70/370V (M28, M29, M30, M31, M32)   | B12825171    | VALVE, SERVICE 3/8" OPEN  |
| ZP16K5EPFV830  | COMPRESSOR 15500, 208/230/60/1 (M1, M2, M3)   | 0151R00003P  | VALVE, SERVICE 7/8" OPEN LEFT (M12, M13, M14, M15, M16, M17, M18, M19, M20, M21, M22, M23, M24, M25, M26, M27, M28, M29, M30, M31, M32) |
| ZP20K5EPFV830  | COMPRESSOR 20000, 208/230/60/1 (M4, M5, M6)   |              |   |
| ZP24K5EPFV830  | COMPRESSOR 24000, 208/230/60/1 (M7, M8, M9, M10, M11)   |              |   |
| ZP29K5EPFV830  | COMPRESSOR 29000, 208/230/60/1 (M12, M13, M14, M15, M16)  |              |   |
| ZP34K5EPFV830  | COMPRESSOR 34500, 208/230/60/1 (M17, M18, M19, M20, M21, M22)   |              |   |
| ZP38K5EPFV830  | COMPRESSOR 37500, 208/230/60/1 (M23, M24, M25, M26, M27)  |              |   |
| ZP51K5EPFV830  | COMPRESSOR 51000, 208/230/60/1 (M28, M29, M30, M31, M32)  |              |   |
| B1488806S      | COMPRESSOR SOUND BLANKET (M17, M18, M19, M20, M21, M22, M23, M24, M25, M26, M27, M28, M29, M30, M31, M32) |              |   |
| B1488807S      | COMPRESSOR SOUND BLANKET (M1, M2, M3, M4, M5, M6, M7, M8, M9, M10, M11, M12, M13, M14, M15, M16)          |              |   |
| CONT1P025024V  | CONTACTOR 25 AMP, 1P, 24V (M16, M17, M18, M19, M20, M21, M22)   |              |   |
| B1360321       | CONTACTOR 25 AMP, 1P, 277V, 125 LRA (M1, M2, M3, M4, M5, M6, M7, M8, M9, M10, M11, M12, M13, M14, M15)    |              |   |
| CONT1P030024V  | CONTACTOR 30 AMP, 1P, 24V (M23, M24, M25, M26, M27, M28, M29, M30, M31, M32)                              |              |   |
| 20322603       | CUTOUT SWITCH, HIGH PRESSURE  |              |   |
| 20340402       | CUTOUT SWITCH, LOW PRESSURE   |              |   |
| B5134711       | FILTER DRIER  |              |   |
| B1789849       | FLOW CHECK PISTON KIT (M1, M2, M3)  |              |   |

# Functional Parts

## Part

**No:**            **Description:**

---

### SPECIAL PARTS

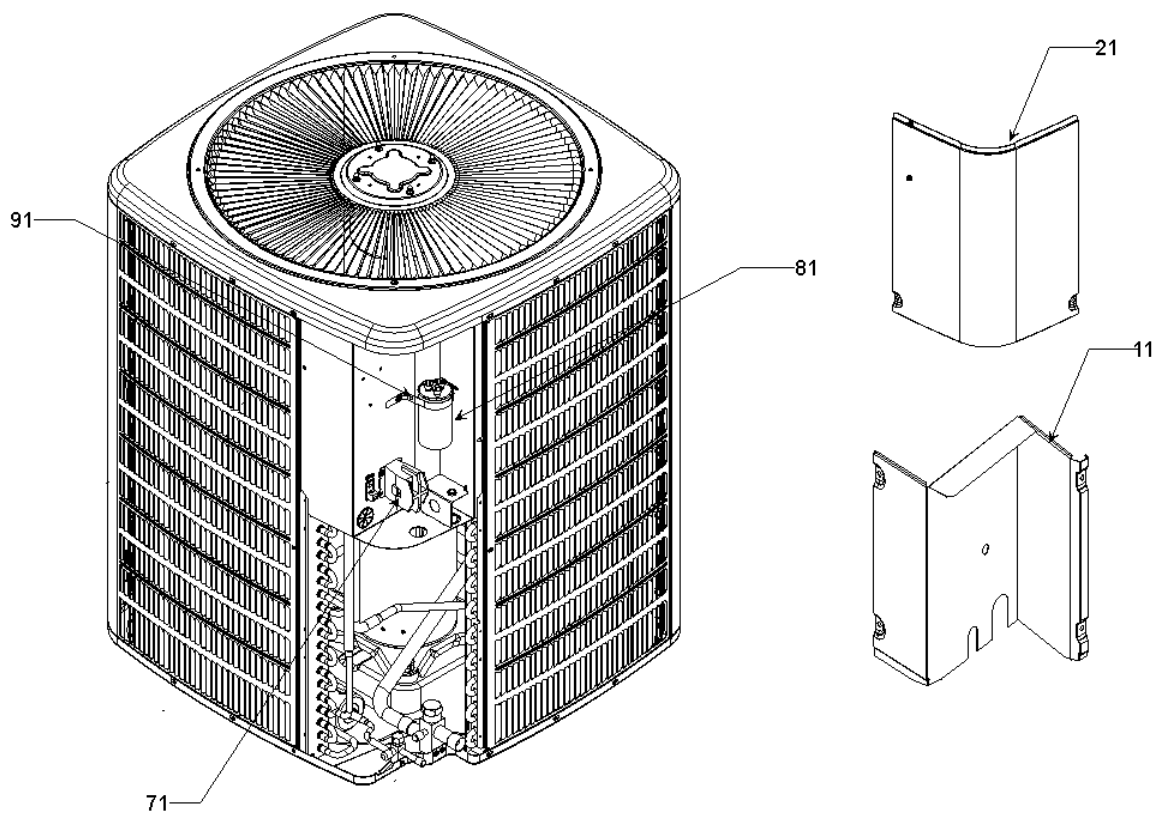
IO-258D            INSTALLATION INSTRUCTIONS  
0161R00009P      NAMEPLATE, GOODMAN  
RP-357E            REPAIR PARTS MANUAL

### Expanded Model Nomenclature

|                   |
|-------------------|
| M1 - SSX140181AA  |
| M2 - SSX140181AB  |
| M3 - SSX140181AC  |
| M4 - SSX140241AA  |
| M5 - SSX140241AB  |
| M6 - SSX140241AC  |
| M7 - SSX140301AA  |
| M8 - SSX140301AB  |
| M9 - SSX140301AC  |
| M10 - SSX140301AD |
| M11 - SSX140301AE |
| M12 - SSX140361AA |
| M13 - SSX140361AB |
| M14 - SSX140361AC |
| M15 - SSX140361AD |
| M16 - SSX140361AE |
| M17 - SSX140421AA |
| M18 - SSX140421AB |
| M19 - SSX140421AC |
| M20 - SSX140421AD |
| M21 - SSX140421AE |
| M22 - SSX140421BA |
| M23 - SSX140481AA |
| M24 - SSX140481AB |
| M25 - SSX140481AC |
| M26 - SSX140481AD |
| M27 - SSX140481AE |
| M28 - SSX140601AA |
| M29 - SSX140601AB |
| M30 - SSX140601AC |
| M31 - SSX140601AD |
| M32 - SSX140601AE |

**THIS PAGE INTENTIONALLY LEFT BLANK**

# Control Cover / Control Box



# Control Cover / Control Box

| Ref Part No:    | Description:  | Ref. Part No:               | Description: |
|-----------------|---|-----------------------------|--------------|
| <i>Image 1:</i> |   | Expanded Model Nomenclature |              |
| 11              | 4400201PDG ACCESS PANEL, LOWER (M1, M2, M3, M4, M5, M6, M7, M8, M9, M10, M11)                                       | M1 - SSX140181AA            |              |
| 11              | 4400202PDG ACCESS PANEL, LOWER (M12, M13, M14, M15, M16)  | M2 - SSX140181AB            |              |
| 11              | 4400205PDG ACCESS PANEL, LOWER (M17, M18, M19, M20, M21, M22, M23, M24, M25, M26, M27, M28, M29, M30, M31, M32)     | M3 - SSX140181AC            |              |
| 21              | 0121R00053PDG CONTROL COVER, SML  | M4 - SSX140241AA            |              |
| 71              | CONT1P025024V CONTACTOR 25 AMP, 1P, 24V (M16, M17, M18, M19, M20, M21, M22)   | M5 - SSX140241AB            |              |
| 71              | B1360321 CONTACTOR 25 AMP, 1P, 277V, 125 LRA (M1, M2, M3, M4, M5, M6, M7, M8, M9, M10, M11, M12, M13, M14, M15)     | M6 - SSX140241AC            |              |
| 71              | CONT1P030024V CONTACTOR 30 AMP, 1P, 24V (M23, M24, M25, M26, M27, M28, M29, M30, M31, M32)                          | M7 - SSX140301AA            |              |
| 81              | CAP050300370RS CAPACITOR 5/30/370V (M1, M2, M3)   | M8 - SSX140301AB            |              |
| 81              | B94575300 CAPACITOR 5/35/370 (M4, M5, M6)   | M9 - SSX140301AC            |              |
| 81              | CAP050400370RS CAPACITOR 5/40/370V (M7, M8, M9, M10, M11)   | M10 - SSX140301AD           |              |
| 81              | CAP050450370RS CAPACITOR 5/45/370V (M12, M13, M14, M15, M16, M17, M18, M19, M20, M21, M22, M23, M24, M25, M26, M27) | M11 - SSX140301AE           |              |
| 81              | CAP050700370RT CAPACITOR 5/70/370V (M28, M29, M30, M31, M32)  | M12 - SSX140361AA           |              |
| 91              | 4400065 CAPACITOR STRAP   | M13 - SSX140361AB           |              |
| NS              | 0161R00009P NAMEPLATE, GOODMAN  | M14 - SSX140361AC           |              |
|                 |   | M15 - SSX140361AD           |              |
|                 |   | M16 - SSX140361AE           |              |
|                 |   | M17 - SSX140421AA           |              |
|                 |   | M18 - SSX140421AB           |              |
|                 |   | M19 - SSX140421AC           |              |
|                 |   | M20 - SSX140421AD           |              |
|                 |   | M21 - SSX140421AE           |              |
|                 |   | M22 - SSX140421BA           |              |
|                 |   | M23 - SSX140481AA           |              |
|                 |   | M24 - SSX140481AB           |              |
|                 |   | M25 - SSX140481AC           |              |
|                 |   | M26 - SSX140481AD           |              |
|                 |   | M27 - SSX140481AE           |              |
|                 |   | M28 - SSX140601AA           |              |
|                 |   | M29 - SSX140601AB           |              |
|                 |   | M30 - SSX140601AC           |              |
|                 |   | M31 - SSX140601AD           |              |
|                 |   | M32 - SSX140601AE           |              |

# Compressor / Tubing Assembly

Image 1

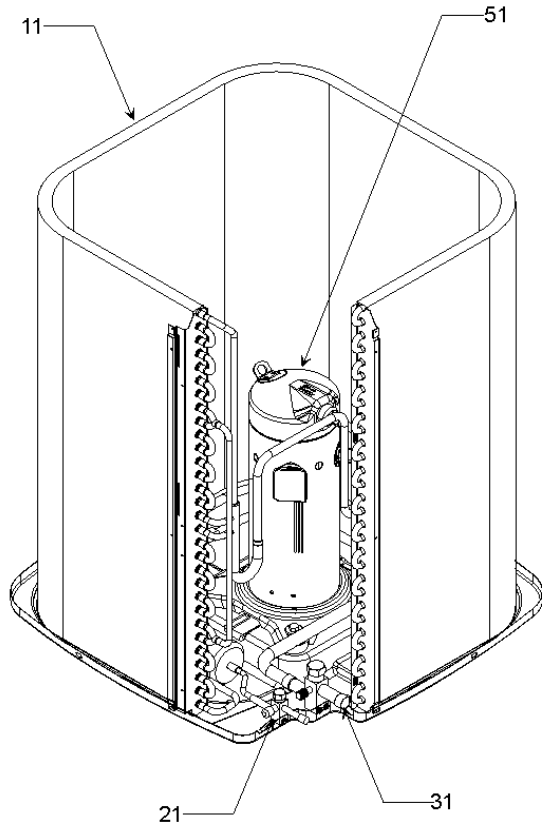


Image 2

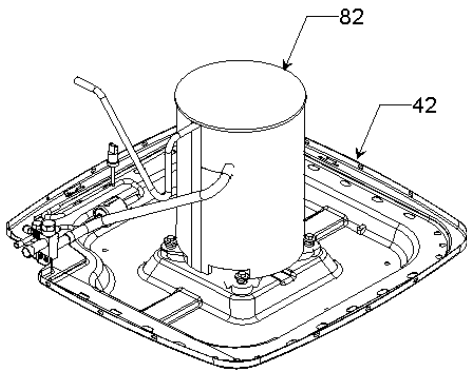
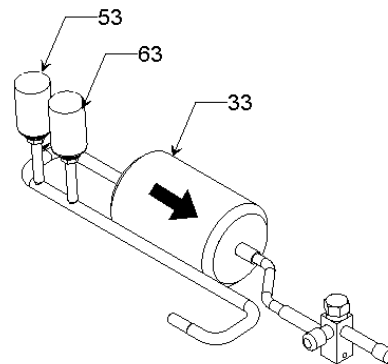


Image 3





# Compressor / Tubing Assembly

| Ref Part No:      | Description:  | Ref. Part No:  | Description:  |                  |                  |                  |                  |                  |                  |                  |                  |                  |                   |                   |                   |                   |                   |                   |                   |                   |                   |                   |                   |                   |                   |                   |                   |                   |                   |                   |                   |                   |                   |                   |                   |
|-------------------|---|--|---|------------------|------------------|------------------|------------------|------------------|------------------|------------------|------------------|------------------|-------------------|-------------------|-------------------|-------------------|-------------------|-------------------|-------------------|-------------------|-------------------|-------------------|-------------------|-------------------|-------------------|-------------------|-------------------|-------------------|-------------------|-------------------|-------------------|-------------------|-------------------|-------------------|-------------------|
| <i>Image 1:</i>   |   | 42   | 0121R00006PDG BASE PAN 29" (M7, M8, M9, M10, M11, M12, M13, M14, M15, M16, M22)                                     |                  |                  |                  |                  |                  |                  |                  |                  |                  |                   |                   |                   |                   |                   |                   |                   |                   |                   |                   |                   |                   |                   |                   |                   |                   |                   |                   |                   |                   |                   |                   |                   |
| 11                | 0201R00054 ASSY, SERVICE COIL (M1, M2, M4, M5)  | 42   | 0121R00007PDG BASE PAN 35" (M17, M18, M19, M20, M21, M23, M24, M25, M26, M27, M28, M29, M30, M31, M32)              |                  |                  |                  |                  |                  |                  |                  |                  |                  |                   |                   |                   |                   |                   |                   |                   |                   |                   |                   |                   |                   |                   |                   |                   |                   |                   |                   |                   |                   |                   |                   |                   |
| 11                | 0201R00055 ASSY, SERVICE COIL (M7, M8, M9)  | 82   | B1488806S COMPRESSOR SOUND BLANKET (M17, M18, M19, M20, M21, M22, M23, M24, M25, M26, M27, M28, M29, M30, M31, M32) |                  |                  |                  |                  |                  |                  |                  |                  |                  |                   |                   |                   |                   |                   |                   |                   |                   |                   |                   |                   |                   |                   |                   |                   |                   |                   |                   |                   |                   |                   |                   |                   |
| 11                | 0201R00056 ASSY, SERVICE COIL (M12, M13, M14)   | 82   | B1488807S COMPRESSOR SOUND BLANKET (M1, M2, M3, M4, M5, M6, M7, M8, M9, M10, M11, M12, M13, M14, M15, M16)          |                  |                  |                  |                  |                  |                  |                  |                  |                  |                   |                   |                   |                   |                   |                   |                   |                   |                   |                   |                   |                   |                   |                   |                   |                   |                   |                   |                   |                   |                   |                   |                   |
| 11                | 0201R00118 ASSY, SERVICE COIL (M22)   | <i>Image 3:</i>  |   |                  |                  |                  |                  |                  |                  |                  |                  |                  |                   |                   |                   |                   |                   |                   |                   |                   |                   |                   |                   |                   |                   |                   |                   |                   |                   |                   |                   |                   |                   |                   |                   |
| 11                | 0201R00134 ASSY, SERVICE COIL (M20, M21, M26, M27)  | 33   | B5134711 FILTER DRIER   |                  |                  |                  |                  |                  |                  |                  |                  |                  |                   |                   |                   |                   |                   |                   |                   |                   |                   |                   |                   |                   |                   |                   |                   |                   |                   |                   |                   |                   |                   |                   |                   |
| 11                | 0201R00137 ASSY, SERVICE COIL (M31, M32)  | 53   | 20340402 CUTOUT SWITCH, LOW PRESSURE  |                  |                  |                  |                  |                  |                  |                  |                  |                  |                   |                   |                   |                   |                   |                   |                   |                   |                   |                   |                   |                   |                   |                   |                   |                   |                   |                   |                   |                   |                   |                   |                   |
| 11                | 0201R00138 ASSY, SERVICE COIL (M3, M6)  | 63   | 20322603 CUTOUT SWITCH, HIGH PRESSURE   |                  |                  |                  |                  |                  |                  |                  |                  |                  |                   |                   |                   |                   |                   |                   |                   |                   |                   |                   |                   |                   |                   |                   |                   |                   |                   |                   |                   |                   |                   |                   |                   |
| 11                | 0201R00139 ASSY, SERVICE COIL (M10, M11)  | <i>Expanded Model Nomenclature</i>   |   |                  |                  |                  |                  |                  |                  |                  |                  |                  |                   |                   |                   |                   |                   |                   |                   |                   |                   |                   |                   |                   |                   |                   |                   |                   |                   |                   |                   |                   |                   |                   |                   |
| 11                | 0201R00140 ASSY, SERVICE COIL (M15, M16)  | <table border="1"> <tr><td>M1 - SSX140181AA</td></tr> <tr><td>M2 - SSX140181AB</td></tr> <tr><td>M3 - SSX140181AC</td></tr> <tr><td>M4 - SSX140241AA</td></tr> <tr><td>M5 - SSX140241AB</td></tr> <tr><td>M6 - SSX140241AC</td></tr> <tr><td>M7 - SSX140301AA</td></tr> <tr><td>M8 - SSX140301AB</td></tr> <tr><td>M9 - SSX140301AC</td></tr> <tr><td>M10 - SSX140301AD</td></tr> <tr><td>M11 - SSX140301AE</td></tr> <tr><td>M12 - SSX140361AA</td></tr> <tr><td>M13 - SSX140361AB</td></tr> <tr><td>M14 - SSX140361AC</td></tr> <tr><td>M15 - SSX140361AD</td></tr> <tr><td>M16 - SSX140361AE</td></tr> <tr><td>M17 - SSX140421AA</td></tr> <tr><td>M18 - SSX140421AB</td></tr> <tr><td>M19 - SSX140421AC</td></tr> <tr><td>M20 - SSX140421AD</td></tr> <tr><td>M21 - SSX140421AE</td></tr> <tr><td>M22 - SSX140421BA</td></tr> <tr><td>M23 - SSX140481AA</td></tr> <tr><td>M24 - SSX140481AB</td></tr> <tr><td>M25 - SSX140481AC</td></tr> <tr><td>M26 - SSX140481AD</td></tr> <tr><td>M27 - SSX140481AE</td></tr> <tr><td>M28 - SSX140601AA</td></tr> <tr><td>M29 - SSX140601AB</td></tr> <tr><td>M30 - SSX140601AC</td></tr> <tr><td>M31 - SSX140601AD</td></tr> <tr><td>M32 - SSX140601AE</td></tr> </table> |   | M1 - SSX140181AA | M2 - SSX140181AB | M3 - SSX140181AC | M4 - SSX140241AA | M5 - SSX140241AB | M6 - SSX140241AC | M7 - SSX140301AA | M8 - SSX140301AB | M9 - SSX140301AC | M10 - SSX140301AD | M11 - SSX140301AE | M12 - SSX140361AA | M13 - SSX140361AB | M14 - SSX140361AC | M15 - SSX140361AD | M16 - SSX140361AE | M17 - SSX140421AA | M18 - SSX140421AB | M19 - SSX140421AC | M20 - SSX140421AD | M21 - SSX140421AE | M22 - SSX140421BA | M23 - SSX140481AA | M24 - SSX140481AB | M25 - SSX140481AC | M26 - SSX140481AD | M27 - SSX140481AE | M28 - SSX140601AA | M29 - SSX140601AB | M30 - SSX140601AC | M31 - SSX140601AD | M32 - SSX140601AE |
| M1 - SSX140181AA  |   |  |   |                  |                  |                  |                  |                  |                  |                  |                  |                  |                   |                   |                   |                   |                   |                   |                   |                   |                   |                   |                   |                   |                   |                   |                   |                   |                   |                   |                   |                   |                   |                   |                   |
| M2 - SSX140181AB  |   |  |   |                  |                  |                  |                  |                  |                  |                  |                  |                  |                   |                   |                   |                   |                   |                   |                   |                   |                   |                   |                   |                   |                   |                   |                   |                   |                   |                   |                   |                   |                   |                   |                   |
| M3 - SSX140181AC  |   |  |   |                  |                  |                  |                  |                  |                  |                  |                  |                  |                   |                   |                   |                   |                   |                   |                   |                   |                   |                   |                   |                   |                   |                   |                   |                   |                   |                   |                   |                   |                   |                   |                   |
| M4 - SSX140241AA  |   |  |   |                  |                  |                  |                  |                  |                  |                  |                  |                  |                   |                   |                   |                   |                   |                   |                   |                   |                   |                   |                   |                   |                   |                   |                   |                   |                   |                   |                   |                   |                   |                   |                   |
| M5 - SSX140241AB  |   |  |   |                  |                  |                  |                  |                  |                  |                  |                  |                  |                   |                   |                   |                   |                   |                   |                   |                   |                   |                   |                   |                   |                   |                   |                   |                   |                   |                   |                   |                   |                   |                   |                   |
| M6 - SSX140241AC  |   |  |   |                  |                  |                  |                  |                  |                  |                  |                  |                  |                   |                   |                   |                   |                   |                   |                   |                   |                   |                   |                   |                   |                   |                   |                   |                   |                   |                   |                   |                   |                   |                   |                   |
| M7 - SSX140301AA  |   |  |   |                  |                  |                  |                  |                  |                  |                  |                  |                  |                   |                   |                   |                   |                   |                   |                   |                   |                   |                   |                   |                   |                   |                   |                   |                   |                   |                   |                   |                   |                   |                   |                   |
| M8 - SSX140301AB  |   |  |   |                  |                  |                  |                  |                  |                  |                  |                  |                  |                   |                   |                   |                   |                   |                   |                   |                   |                   |                   |                   |                   |                   |                   |                   |                   |                   |                   |                   |                   |                   |                   |                   |
| M9 - SSX140301AC  |   |  |   |                  |                  |                  |                  |                  |                  |                  |                  |                  |                   |                   |                   |                   |                   |                   |                   |                   |                   |                   |                   |                   |                   |                   |                   |                   |                   |                   |                   |                   |                   |                   |                   |
| M10 - SSX140301AD |   |  |   |                  |                  |                  |                  |                  |                  |                  |                  |                  |                   |                   |                   |                   |                   |                   |                   |                   |                   |                   |                   |                   |                   |                   |                   |                   |                   |                   |                   |                   |                   |                   |                   |
| M11 - SSX140301AE |   |  |   |                  |                  |                  |                  |                  |                  |                  |                  |                  |                   |                   |                   |                   |                   |                   |                   |                   |                   |                   |                   |                   |                   |                   |                   |                   |                   |                   |                   |                   |                   |                   |                   |
| M12 - SSX140361AA |   |  |   |                  |                  |                  |                  |                  |                  |                  |                  |                  |                   |                   |                   |                   |                   |                   |                   |                   |                   |                   |                   |                   |                   |                   |                   |                   |                   |                   |                   |                   |                   |                   |                   |
| M13 - SSX140361AB |   |  |   |                  |                  |                  |                  |                  |                  |                  |                  |                  |                   |                   |                   |                   |                   |                   |                   |                   |                   |                   |                   |                   |                   |                   |                   |                   |                   |                   |                   |                   |                   |                   |                   |
| M14 - SSX140361AC |   |  |   |                  |                  |                  |                  |                  |                  |                  |                  |                  |                   |                   |                   |                   |                   |                   |                   |                   |                   |                   |                   |                   |                   |                   |                   |                   |                   |                   |                   |                   |                   |                   |                   |
| M15 - SSX140361AD |   |  |   |                  |                  |                  |                  |                  |                  |                  |                  |                  |                   |                   |                   |                   |                   |                   |                   |                   |                   |                   |                   |                   |                   |                   |                   |                   |                   |                   |                   |                   |                   |                   |                   |
| M16 - SSX140361AE |   |  |   |                  |                  |                  |                  |                  |                  |                  |                  |                  |                   |                   |                   |                   |                   |                   |                   |                   |                   |                   |                   |                   |                   |                   |                   |                   |                   |                   |                   |                   |                   |                   |                   |
| M17 - SSX140421AA |   |  |   |                  |                  |                  |                  |                  |                  |                  |                  |                  |                   |                   |                   |                   |                   |                   |                   |                   |                   |                   |                   |                   |                   |                   |                   |                   |                   |                   |                   |                   |                   |                   |                   |
| M18 - SSX140421AB |   |  |   |                  |                  |                  |                  |                  |                  |                  |                  |                  |                   |                   |                   |                   |                   |                   |                   |                   |                   |                   |                   |                   |                   |                   |                   |                   |                   |                   |                   |                   |                   |                   |                   |
| M19 - SSX140421AC |   |  |   |                  |                  |                  |                  |                  |                  |                  |                  |                  |                   |                   |                   |                   |                   |                   |                   |                   |                   |                   |                   |                   |                   |                   |                   |                   |                   |                   |                   |                   |                   |                   |                   |
| M20 - SSX140421AD |   |  |   |                  |                  |                  |                  |                  |                  |                  |                  |                  |                   |                   |                   |                   |                   |                   |                   |                   |                   |                   |                   |                   |                   |                   |                   |                   |                   |                   |                   |                   |                   |                   |                   |
| M21 - SSX140421AE |   |  |   |                  |                  |                  |                  |                  |                  |                  |                  |                  |                   |                   |                   |                   |                   |                   |                   |                   |                   |                   |                   |                   |                   |                   |                   |                   |                   |                   |                   |                   |                   |                   |                   |
| M22 - SSX140421BA |   |  |   |                  |                  |                  |                  |                  |                  |                  |                  |                  |                   |                   |                   |                   |                   |                   |                   |                   |                   |                   |                   |                   |                   |                   |                   |                   |                   |                   |                   |                   |                   |                   |                   |
| M23 - SSX140481AA |   |  |   |                  |                  |                  |                  |                  |                  |                  |                  |                  |                   |                   |                   |                   |                   |                   |                   |                   |                   |                   |                   |                   |                   |                   |                   |                   |                   |                   |                   |                   |                   |                   |                   |
| M24 - SSX140481AB |   |  |   |                  |                  |                  |                  |                  |                  |                  |                  |                  |                   |                   |                   |                   |                   |                   |                   |                   |                   |                   |                   |                   |                   |                   |                   |                   |                   |                   |                   |                   |                   |                   |                   |
| M25 - SSX140481AC |   |  |   |                  |                  |                  |                  |                  |                  |                  |                  |                  |                   |                   |                   |                   |                   |                   |                   |                   |                   |                   |                   |                   |                   |                   |                   |                   |                   |                   |                   |                   |                   |                   |                   |
| M26 - SSX140481AD |   |  |   |                  |                  |                  |                  |                  |                  |                  |                  |                  |                   |                   |                   |                   |                   |                   |                   |                   |                   |                   |                   |                   |                   |                   |                   |                   |                   |                   |                   |                   |                   |                   |                   |
| M27 - SSX140481AE |   |  |   |                  |                  |                  |                  |                  |                  |                  |                  |                  |                   |                   |                   |                   |                   |                   |                   |                   |                   |                   |                   |                   |                   |                   |                   |                   |                   |                   |                   |                   |                   |                   |                   |
| M28 - SSX140601AA |   |  |   |                  |                  |                  |                  |                  |                  |                  |                  |                  |                   |                   |                   |                   |                   |                   |                   |                   |                   |                   |                   |                   |                   |                   |                   |                   |                   |                   |                   |                   |                   |                   |                   |
| M29 - SSX140601AB |   |  |   |                  |                  |                  |                  |                  |                  |                  |                  |                  |                   |                   |                   |                   |                   |                   |                   |                   |                   |                   |                   |                   |                   |                   |                   |                   |                   |                   |                   |                   |                   |                   |                   |
| M30 - SSX140601AC |   |  |   |                  |                  |                  |                  |                  |                  |                  |                  |                  |                   |                   |                   |                   |                   |                   |                   |                   |                   |                   |                   |                   |                   |                   |                   |                   |                   |                   |                   |                   |                   |                   |                   |
| M31 - SSX140601AD |   |  |   |                  |                  |                  |                  |                  |                  |                  |                  |                  |                   |                   |                   |                   |                   |                   |                   |                   |                   |                   |                   |                   |                   |                   |                   |                   |                   |                   |                   |                   |                   |                   |                   |
| M32 - SSX140601AE |   |  |   |                  |                  |                  |                  |                  |                  |                  |                  |                  |                   |                   |                   |                   |                   |                   |                   |                   |                   |                   |                   |                   |                   |                   |                   |                   |                   |                   |                   |                   |                   |                   |                   |
| 11                | 1362110 ASSY, SERVICE COIL (M17, M18, M19, M23, M24, M25)   |  |   |                  |                  |                  |                  |                  |                  |                  |                  |                  |                   |                   |                   |                   |                   |                   |                   |                   |                   |                   |                   |                   |                   |                   |                   |                   |                   |                   |                   |                   |                   |                   |                   |
| 11                | 1362111 ASSY, SERVICE COIL (M28, M29, M30)  |  |   |                  |                  |                  |                  |                  |                  |                  |                  |                  |                   |                   |                   |                   |                   |                   |                   |                   |                   |                   |                   |                   |                   |                   |                   |                   |                   |                   |                   |                   |                   |                   |                   |
| 21                | B12825171 VALVE, SERVICE 3/8" OPEN  |  |   |                  |                  |                  |                  |                  |                  |                  |                  |                  |                   |                   |                   |                   |                   |                   |                   |                   |                   |                   |                   |                   |                   |                   |                   |                   |                   |                   |                   |                   |                   |                   |                   |
| 31                | 0151R00002P VALVE, SERVICE 3/4" OPEN LEFT (M1, M2, M3, M4, M5, M6, M7, M8, M9, M10, M11)  |  |   |                  |                  |                  |                  |                  |                  |                  |                  |                  |                   |                   |                   |                   |                   |                   |                   |                   |                   |                   |                   |                   |                   |                   |                   |                   |                   |                   |                   |                   |                   |                   |                   |
| 31                | 0151R00003P VALVE, SERVICE 7/8" OPEN LEFT (M12, M13, M14, M15, M16, M17, M18, M19, M20, M21, M22, M23, M24, M25, M26, M27, M28, M29, M30, M31, M32) |  |   |                  |                  |                  |                  |                  |                  |                  |                  |                  |                   |                   |                   |                   |                   |                   |                   |                   |                   |                   |                   |                   |                   |                   |                   |                   |                   |                   |                   |                   |                   |                   |                   |
| 51                | ZP16K5EPFV830 COMPRESSOR 15500, 208/230/60/1 (M1, M2, M3)   |  |   |                  |                  |                  |                  |                  |                  |                  |                  |                  |                   |                   |                   |                   |                   |                   |                   |                   |                   |                   |                   |                   |                   |                   |                   |                   |                   |                   |                   |                   |                   |                   |                   |
| 51                | ZP20K5EPFV830 COMPRESSOR 20000, 208/230/60/1 (M4, M5, M6)   |  |   |                  |                  |                  |                  |                  |                  |                  |                  |                  |                   |                   |                   |                   |                   |                   |                   |                   |                   |                   |                   |                   |                   |                   |                   |                   |                   |                   |                   |                   |                   |                   |                   |
| 51                | ZP24K5EPFV830 COMPRESSOR 24000, 208/230/60/1 (M7, M8, M9, M10, M11)   |  |   |                  |                  |                  |                  |                  |                  |                  |                  |                  |                   |                   |                   |                   |                   |                   |                   |                   |                   |                   |                   |                   |                   |                   |                   |                   |                   |                   |                   |                   |                   |                   |                   |
| 51                | ZP29K5EPFV830 COMPRESSOR 29000, 208/230/60/1 (M12, M13, M14, M15, M16)  |  |   |                  |                  |                  |                  |                  |                  |                  |                  |                  |                   |                   |                   |                   |                   |                   |                   |                   |                   |                   |                   |                   |                   |                   |                   |                   |                   |                   |                   |                   |                   |                   |                   |
| 51                | ZP34K5EPFV830 COMPRESSOR 34500, 208/230/60/1 (M17, M18, M19, M20, M21, M22)   |  |   |                  |                  |                  |                  |                  |                  |                  |                  |                  |                   |                   |                   |                   |                   |                   |                   |                   |                   |                   |                   |                   |                   |                   |                   |                   |                   |                   |                   |                   |                   |                   |                   |
| 51                | ZP38K5EPFV830 COMPRESSOR 37500, 208/230/60/1 (M23, M24, M25, M26, M27)  |  |   |                  |                  |                  |                  |                  |                  |                  |                  |                  |                   |                   |                   |                   |                   |                   |                   |                   |                   |                   |                   |                   |                   |                   |                   |                   |                   |                   |                   |                   |                   |                   |                   |
| 51                | ZP51K5EPFV830 COMPRESSOR 51000, 208/230/60/1 (M28, M29, M30, M31, M32)  |  |   |                  |                  |                  |                  |                  |                  |                  |                  |                  |                   |                   |                   |                   |                   |                   |                   |                   |                   |                   |                   |                   |                   |                   |                   |                   |                   |                   |                   |                   |                   |                   |                   |
| NS                | B1339533 COMPRESSOR GROMMET (QTY 4)   |  |   |                  |                  |                  |                  |                  |                  |                  |                  |                  |                   |                   |                   |                   |                   |                   |                   |                   |                   |                   |                   |                   |                   |                   |                   |                   |                   |                   |                   |                   |                   |                   |                   |
| NS                | B1789849 FLOW CHECK PISTON KIT (M1, M2, M3)   |  |   |                  |                  |                  |                  |                  |                  |                  |                  |                  |                   |                   |                   |                   |                   |                   |                   |                   |                   |                   |                   |                   |                   |                   |                   |                   |                   |                   |                   |                   |                   |                   |                   |
| NS                | B1789857 FLOW CHECK PISTON KIT (M4, M5, M6)   |  |   |                  |                  |                  |                  |                  |                  |                  |                  |                  |                   |                   |                   |                   |                   |                   |                   |                   |                   |                   |                   |                   |                   |                   |                   |                   |                   |                   |                   |                   |                   |                   |                   |
| NS                | B1789863 FLOW CHECK PISTON KIT (M7, M8, M9, M10, M11)   |  |   |                  |                  |                  |                  |                  |                  |                  |                  |                  |                   |                   |                   |                   |                   |                   |                   |                   |                   |                   |                   |                   |                   |                   |                   |                   |                   |                   |                   |                   |                   |                   |                   |
| NS                | B1789867 FLOW CHECK PISTON KIT (M12, M13, M14, M15, M16)  |  |   |                  |                  |                  |                  |                  |                  |                  |                  |                  |                   |                   |                   |                   |                   |                   |                   |                   |                   |                   |                   |                   |                   |                   |                   |                   |                   |                   |                   |                   |                   |                   |                   |
| NS                | B1789874 FLOW CHECK PISTON KIT (M17, M18, M19, M20, M21, M22)   |  |   |                  |                  |                  |                  |                  |                  |                  |                  |                  |                   |                   |                   |                   |                   |                   |                   |                   |                   |                   |                   |                   |                   |                   |                   |                   |                   |                   |                   |                   |                   |                   |                   |
| NS                | B1789879 FLOW CHECK PISTON KIT (M23, M24, M25, M26, M27)  |  |   |                  |                  |                  |                  |                  |                  |                  |                  |                  |                   |                   |                   |                   |                   |                   |                   |                   |                   |                   |                   |                   |                   |                   |                   |                   |                   |                   |                   |                   |                   |                   |                   |
| NS                | B1789888 FLOW CHECK PISTON KIT (M28, M29, M30, M31, M32)  |  |   |                  |                  |                  |                  |                  |                  |                  |                  |                  |                   |                   |                   |                   |                   |                   |                   |                   |                   |                   |                   |                   |                   |                   |                   |                   |                   |                   |                   |                   |                   |                   |                   |
| NS                | 0159R00000P HARNESS, COMPRESSOR SCROLL 130 36" (M1, M2, M3, M4, M5, M6)   |  |   |                  |                  |                  |                  |                  |                  |                  |                  |                  |                   |                   |                   |                   |                   |                   |                   |                   |                   |                   |                   |                   |                   |                   |                   |                   |                   |                   |                   |                   |                   |                   |                   |
| NS                | 20048207 HARNESS, COMPRESSOR SCROLL 130 42" (M7, M8, M9, M10, M11, M12, M13, M14, M15, M16)   |  |   |                  |                  |                  |                  |                  |                  |                  |                  |                  |                   |                   |                   |                   |                   |                   |                   |                   |                   |                   |                   |                   |                   |                   |                   |                   |                   |                   |                   |                   |                   |                   |                   |
| NS                | 0159R00002P HARNESS, COMPRESSOR SCROLL 130 46" (M17, M18, M19, M20, M21, M22, M23, M24, M25, M26, M27, M28, M29, M30, M31, M32)                     |  |   |                  |                  |                  |                  |                  |                  |                  |                  |                  |                   |                   |                   |                   |                   |                   |                   |                   |                   |                   |                   |                   |                   |                   |                   |                   |                   |                   |                   |                   |                   |                   |                   |
| NS                | M0221641 SCREW-SHOULDER TF (QTY 4)  |  |   |                  |                  |                  |                  |                  |                  |                  |                  |                  |                   |                   |                   |                   |                   |                   |                   |                   |                   |                   |                   |                   |                   |                   |                   |                   |                   |                   |                   |                   |                   |                   |                   |
| <i>Image 2:</i>   |   |  |   |                  |                  |                  |                  |                  |                  |                  |                  |                  |                   |                   |                   |                   |                   |                   |                   |                   |                   |                   |                   |                   |                   |                   |                   |                   |                   |                   |                   |                   |                   |                   |                   |
| 42                | 0121R00005PDG BASE PAN 26" (M1, M2, M3, M4, M5, M6)   |  |   |                  |                  |                  |                  |                  |                  |                  |                  |                  |                   |                   |                   |                   |                   |                   |                   |                   |                   |                   |                   |                   |                   |                   |                   |                   |                   |                   |                   |                   |                   |                   |                   |

# Cabinet Top / Side Panels

