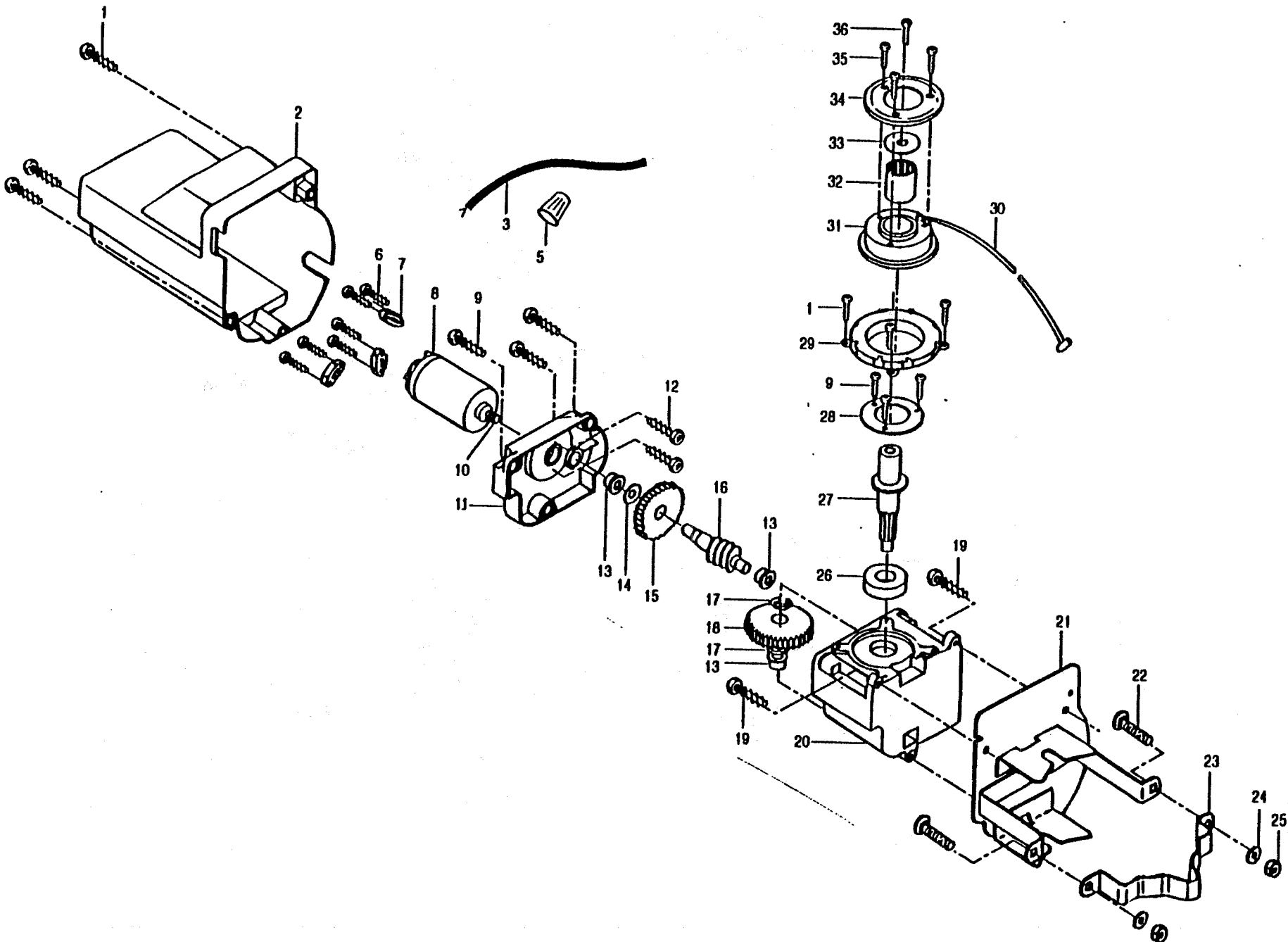


# RADIAL ARM SAW RA202 (MOTOR)



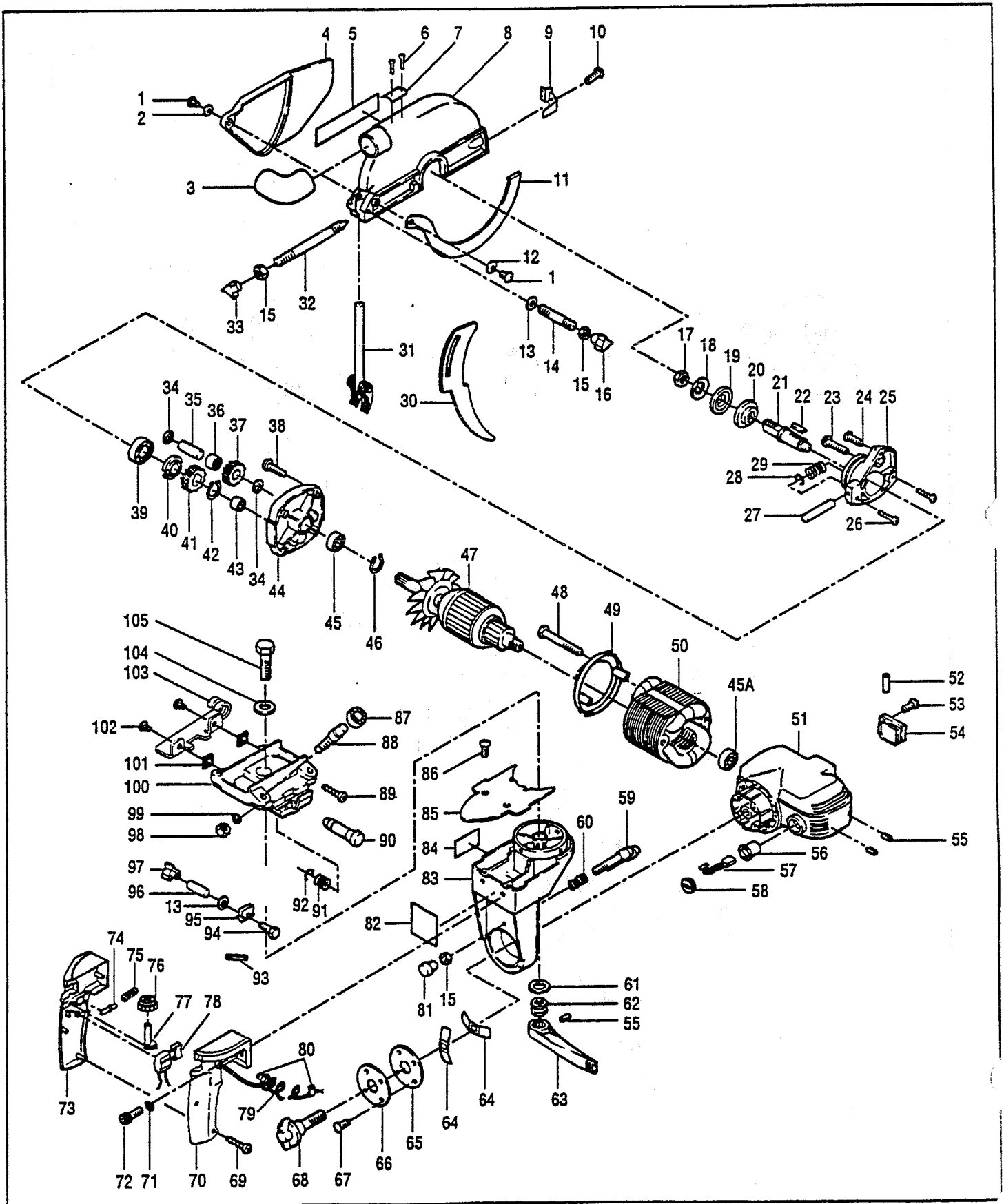
**PARTS LIST FOR AFTER SALES SERVICE  
MODEL RA202 MOTOR**

REF	PART NO.	DESCRIPTION	QTY	REF	PART NO.	DESCRIPTION	QTY
1	968701005	SCREW	1	20	662041002	GEAR CASE	1
2	662300001	HOUSING	1	21	662228001	BRACKET ASS'Y	1
3	969272001	POWER CORD	1	22	621433005	BOLT	1
5	642149004	WIRE NUT	1	23	662226001	BRACKET CLAMP	1
6	990908009	SCREW	1	24	703473032	WASHER	1
7	967917001	CORD CLAMP	1	25	617154001	HEX NUT	1
8	971128001	MOTOR	1	26	621372002	BALL BEARING	1
9	968703009	SCREW	1	27	662039003	PULLEY SHAFT	1
10	662035001	PINION	1	28	662043001	BEARING COVER	1
11	662042001	GEAR HOUSING COVER	1	29	662269001	REWIND ASS'Y	1
12	9040308	TAPPING SCREW M3X8	2	30	662270001	CABLE	1
13	644186002	SLEEVE BEARING	3	31	662024001	PULLEY	1
14	706239830	FLAT WASHER	1	32	662040001	CLUTCH BEARING	1
15	662036001	GEAR	1	33	662029001	FLAT WASHER	1
16	662037003	WORM SHAFT	1	34	662028001	FLANGE	1
17	965889007	RETAINING RING	2	35	968703005	SCREW	3
18	662038001	GEAR	1	36	940021006	HEX HEAD SCREW	1
19	968705007	SCREW	3	--	4590202	CONTROL CUT DEVICE ASS'Y	1

**SERVICE NOTES:**

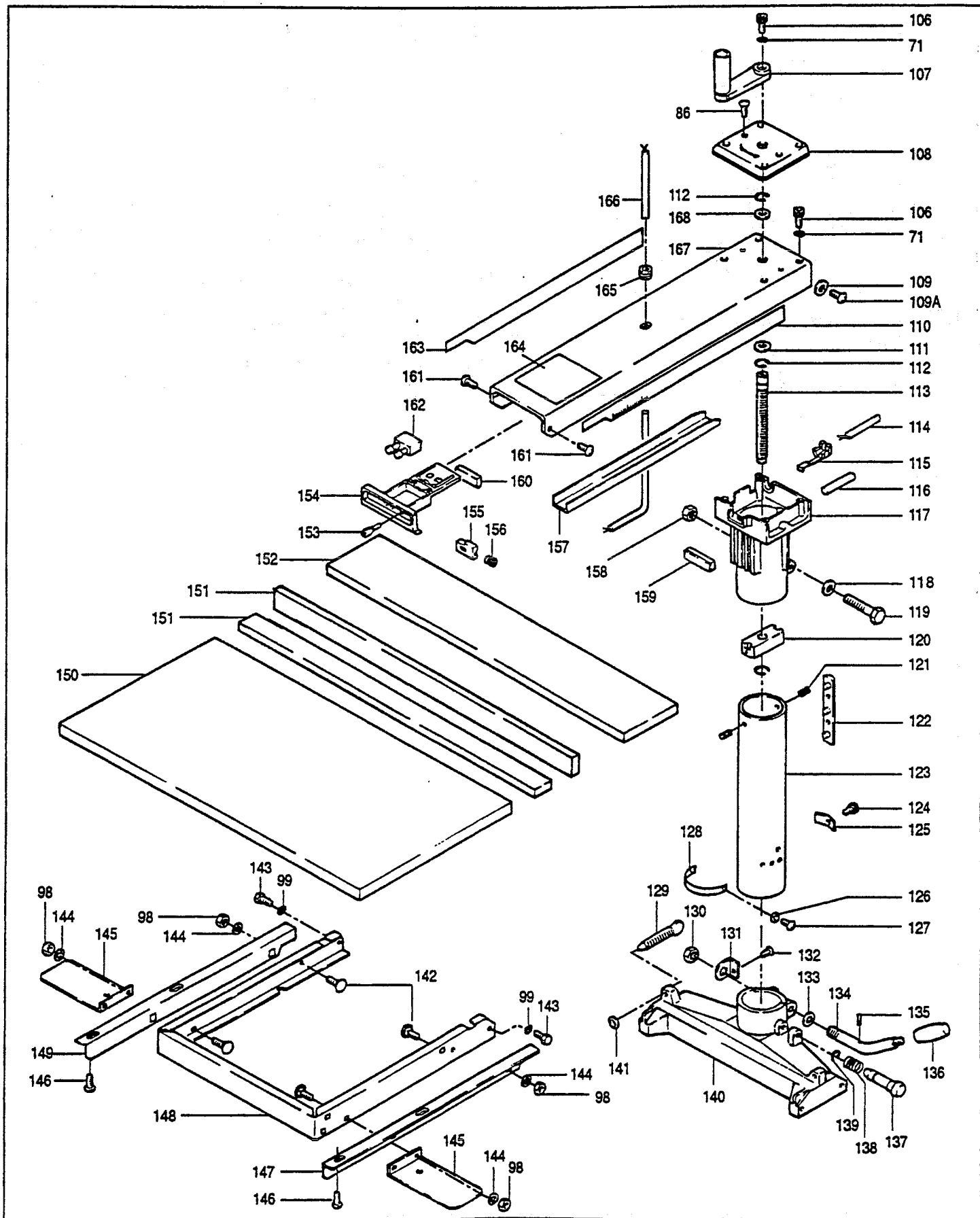
# RADIAL ARM SAW

## RA-202



# RADIAL ARM SAW

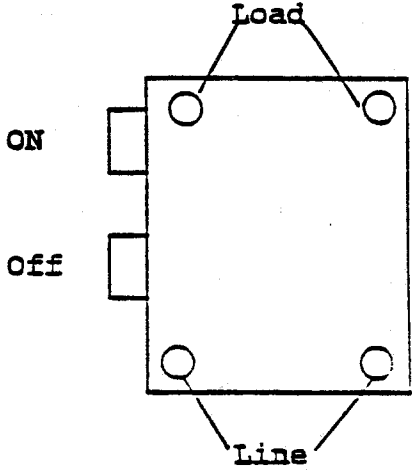
RA-202



## PARTS LIST FOR AFTER SALES SERVICE MODEL RA202

REF	PART NO.	DESCRIPTION	QTY	REF	PART NO.	DESCRIPTION	QTY
1	9040510	TAPPING SCREW (S)	2	49	6490304	FAN CASING	1
2	6900559	WASHER	1	50	970630001	FIELD COIL ASS'Y	1
3	6360047	DUST GUIDE	1	51	6801406	MOTOR HOUSING	1
4	6880795	LOWER PLASTIC GUARD	1	52	3590073	VINYL TUBE 120MM	1
5	6920743	GUARD LABEL	1	53	9060416	TAPPING SCREW (B) M4X16	1
6	6120005	RIVET	2	54	6880804	LEAD WIRE COVER	1
7	6920747	GUARD CAUTION LABEL	1	55	9280508	CLAMP SCREW M5X8	1
8	6880794	UPPER BLADE GUARD	1	56	6570097	BRUSH HOLDER	2
9	3150001	PAWLS HOLDER	1	57	6540063	CARBON BRUSH SET	1
10	9040508	SCREWS	3	58	6570107	BRUSH CAP	2
11	6152185	LOWER METAL GUARD	1	59	6120195	STOPPER PIN	1
12	6180321	CONED DISK SPRING	1	60	6180323	COIL SPRING	1
13	9570600	WASHER M6	2	61	6900560	WASHER	1
14	6130661	STUD BOLT M6X50	1	62	6130664	HEX NUT M16	1
15	9320600	HEX NUT M6	3	63	6831246	YOKE CLAMP HANDLE	1
16	6831222	BLADE GUARD LOCK KNOB	1	64	6152197	LOCK PLATE	2
17	6130089	HEX NUT (L.H.T.)	1	65	6152200	THRUST PLATE	1
18	6900097	CONED DISK SPRING	1	66	661993001	MITER SCALE	1
19	6940444	OUTSIDE FLANGE	1	67	9060514	TAPPING SCREW (B) M5X14	4
20	6940443	INDSIDE FLANGE	1	68	6831252	BEVEL LOCK KNOB	1
21	6110145	GEAR SHAFT	1	69	968702007	HANDLE SCREW	3
22	6100509	PARALLEL KEY	1	70	662033001	HANDLE COVER	1
23	9060540	TAPPING SCREW (B) M5X40	1	71	9550600	SPRING WASHER M6	1
24	9040520	TAPPING SCREW (B) M5X20	1	72	9220616	HEX SOCKET HEAD BOLT M6X16	1
25	6820831	GEAR CASE COVER	1	73	662032001	HANDLE SUPPORT	1
26	9040408	TAPPING SCREW (S) M4X8	1	74	662209001	STOPPER PIN	1
27	6120193	SPINDLE LOCK	1	75	662208001	SPRING	1
28	9500400	RETAINING RING E-4	4	76	662210002	FEED SETTING KNOB	1
29	6180323	COIL SPRING	1	77	662207001	CAM SHAFT	1
30	6152230	RIVING KNIFE	1	78	971665001	SWITCH	1
31	6080280	ANTI-KICKBACK PAWLS	1	79	971667001	JUMPER CORD	1
32	6130660	STUD BOLT M6X138	1	80	662056002	CABLE CLAMPS	2
33	3830001	KNOB	1	81	6831237	BEVEL INDEX KNOB	1
34	6900445	WASHER	2	82	661994001	NAME PLATE	1
35	6110146	MIDDLE SHAFT	1	83	6320205	YOKE	1
36	9911212	NEEDLE BEARING	1	84	662511001	LABEL	1
37	6200347	MIDDLE GEAR	1	85	6831240	HANDLE COVER	1
38	9060530	TAPPING SCREW (B) M5X30	1	86	9040412	TAPPING SCREW (B) M4X12	1
39	9846004	BALL BEARING #6004LLB	1	87	9820629	BALL BEARING #629LLB	4
40	6900150	LOCK RING	1	88	6100460	BEARING SHAFT	4
41	6200348	FINAL GEAR	1	89	9000510	SCREW	1
42	9512000	RETAINING RING S-20	1	90	3830010	YOKE INDEX KNOB	1
43	9911010	NEEDLE BEARING	1	91	6180322	COIL SPRING	1
44	6820688	GEAR CASE ASS'Y	1	92	9500500	RETAINING RING E-5	5
45	9846002	BALL BEARING #6002 LLB	1	93	9404022	SPRING PIN	1
45-A	621585002	BALL BEARING	1	94	9190616	HEX HEAD BOLT M6X16	1
46	9511500	RETAINING RING S-15	1	95	6180324	LOCK SPRING	1
47	970523005	ARMATURE ASS'Y	1	96	662349001	ADAPTOR	1
48	9070555	TAPPING SCREW (B) M5X55	1	97	6831222	CARRIAGE LOCK KNOB	1

## PARTS LIST FOR AFTER SALES SERVICE MODEL RA202

REF	PART NO.	DESCRIPTION	QTY	REF	PART NO.	DESCRIPTION	QTY
98	9300800	HEX NUT M8	8	146	6130875	TAPPING SCREW M6X16	4
99	9550800	SPRING WASHER M8	4	147	6152188	ANGLE (R)	1
100	6320292	CARRIAGE CENTER	1	148	6850384	BASE	1
101	709863804	SQUARE NUTS	2	149	6152191	ANGLE (L)	1
102	614658004	SCREWS	2	150	3390005	MAIN TABLE	1
103	662025001	CABLE RETAINER	1	151	3390007	RIP FENCE/FILLER STRIP	2
104	6900560	WASHER	2	152	3390006	BACK TABLE	1
105	6130663	HEX HEAD BOLT M16X45	1	153	3360005	SWITCH KEY	1
106	9220620	HEX SOCKET HEAD BOLT M6X20	1	154	6880801	SWITCH CASE	1
107	6080198	ELEVATING HANDLE ASS'Y	1	155	6360234	SWITCH BLOCK	1
108	6831243	HEAD COVER	1	156	6180055	COIL SPRING	1
109	9570600	WASHER	1	157	6152206	GUIDE	1
109-A	9020612	SCREW	1	158	9301200	HEX NUT M12	2
110	662509001	SCALE LABEL (B)	1	159	6370260	RUBBER CUSHION	1
111	6900719	COLLAR	1	160	6370260	RUBBER CUSHION	1
112	9501000	RETAINING RING E-1	1	161	9060516	TAPPING SCREW (B) M5X16	1
113	6130999	FEED SCREW	1	162	6550337	SWITCH	1
114	972345001	CORD ASS'Y	1	163	662508001	SCALE LABEL (A)	1
115	6560127	CORD CLAMP	1	164	661996001	CAUTION LABEL	1
116	941401831	ROLL PIN	1	165	6560126	CORD BUSHING	1
117	6320204	ARM HOLDER	1	166	6590283	LEAD WIRE	1
118	9571200	WASHER M12	1	167	6960159	ARM	1
119	9191260	HEX HEAD BOLT	1	168	6900560	WASHER	1
120	6320207	COLUMN NUT	1	STANDARD ACCESSORIES			
121	9406012	SPRING PIN 6X12	1	---	6241233	OPEN-END WRENCH 17X24	1
122	6100461	KEY	1	---	6241093	HEX KEY WRENCH 5	1
123	6960162	COLUMN	1	---	6651603	8 1/4" SAW BLADE	1
124	9220510	HEX SOCKET HEAD BOLT M5X10	1	<b>SERVICE NOTES:</b>  <div style="text-align: right; margin-top: 20px;">  </div>			
125	6152227	STOPPER PLATE	1				
126	9570400	WASHER M4	2				
127	9040408	TAPPING SCREW (S) M4X8	1				
128	6950163	COLUMN PLATE	1				
129	6130646	TABLE CLAMP THUMB SCREWS	2				
130	9301200	NUT	1				
131	6152194	HINGE	1				
132	9040508	TAPPING SCREW (S) M5X12	1				
133	9571200	WASHER M12	1				
134	6831255	ARM LOCK LEVER	1				
135	9404018	SPRING PIN	1				
136	6831216	HANDLE	1				
137	3830011	ARM INDEX KNOB	1				
138	6180205	COIL SPRING	1				
139	9500700	RETAINING RING E-7	1				
140	6320203	COLUMN BASE	1				
141	6152107	TABLE CLAMP WASHER	2				
142	9230814	ROUND HEAD BOLT M8X14	1				
143	6131022	HEX HEAD BOLT M8X14	1				
144	9570800	WASHER M8	4				
145	6152203	MOUNTING BRACKET	2				