

SINGER®

Instruction Manual

IMPORTANT SAFETY INSTRUCTIONS

When using an electrical appliance, basic safety precautions should always be followed, including the following:

Read all instructions before using this sewing machine.

DANGER - To reduce the risk of electric shock:

1. An appliance should never be left unattended when plugged in.
2. Always unplug this appliance from the electric outlet immediately after using and before cleaning.
3. Always unplug before re-lamping. Replace bulb with same type rated 10 watts (110-120V area) or 15 watts (220-240V area).

WARNING - To reduce the risk of burns, fire, electric shock, or injury to persons:

1. Do not allow to be used as a toy. Close attention is necessary when this appliance is used by or near children.
2. Use this appliance only for its intended use as described in this manual. Use only attachments recommended by the manufacturer as contained in this manual.
3. Never operate this appliance if it has a damaged cord or plug, if it is not working properly, if it has been dropped or damaged, or dropped into water. Return the appliance to the nearest authorized dealer or service center for examination, repair, electrical or mechanical adjustment.
4. Never operate the appliance with any air openings blocked. Keep ventilation openings of the sewing machine and foot controller free from accumulation of lint, dust, and loose cloth.

5. Keep fingers away from all moving parts. Special care is required around the sewing machine needle.
6. Always use the proper needle plate. The wrong plate can cause the needle to break.
7. Do not use bent needles.
8. Do not pull or push fabric while stitching. It may deflect the needle causing it to break.
9. Switch the sewing machine off ("O") when making any adjustments in the needle area, such as threading needle, changing needle, threading bobbin, or changing presser foot, and the like.
10. Always unplug sewing machine from the electrical outlet when removing covers, lubricating, or when making any other user servicing adjustments mentioned in the instruction manual.
11. Never drop or insert any object into any opening.
12. Do not use outdoors.
13. Do not operate where aerosol (spray products are being used or where oxygen is being administered).
14. To disconnect, turn all controls to the off ("O") position, then remove plug from outlet.
15. Do not unplug by pulling on cord. To unplug, grasp the plug, not the cord.

SAVE THESE INSTRUCTIONS

This sewing machine is intended for household use only.

Congratulations

As the owner of a new Singer sewing machine, you are about to begin an exciting adventure in creativity. From the moment you first use your machine, you will know you are sewing on one of the easiest to use sewing machines ever made.

May we recommend that, before you start to use your sewing machine, you discover the many advantages and the ease of operation by going through this instruction book, step by step, seated at your machine.

To ensure that you are always provided with the most modern sewing capabilities, the manufacturer reserves the right to change the appearance, design or accessories of this sewing machine when considered necessary.

® Singer is a registered trademark of The Singer Company Ltd or its affiliates.
Copyright © 2005

All rights reserved throughout the world.

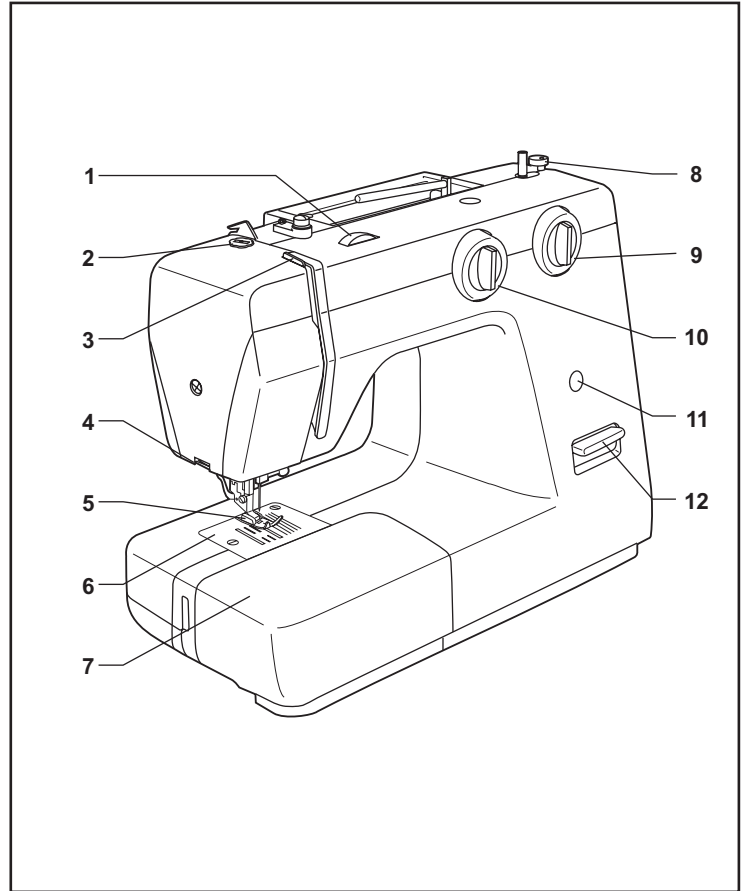
Please note: This Instruction Book covers the operation of multiple models of sewing machines and the use of optional accessories. The manufacturer has made every effort to clearly define the differences between the different models and to define when an accessory is an optional extra. Please read carefully to determine which instructions apply to your particular model machine. For a clear definition of your sewing machine please see pages 19.

List of contents

Principal parts of the machine.....	2/3	How to choose your pattern.....	19
Accessories.....	4	Function of stitch width dial and stitch length dial.....	20
Fitting the snap-in sewing table.....	5	Blind hem/ lingerie stitch.....	21
Connecting machine to power source.....	6	Overlock stitches (for models A, B & C).....	22
Changing the bulb.....	7	Sewing on buttons.....	23
Two-step presser foot lifter/ Adjusting presser foot pressure.....	8	Sew 4-step buttonholes.....	24
Attaching the presser foot holder.....	9	Zippers and piping.....	25
Winding the bobbin.....	10	Sewing with the optional hemmer foot.....	26
Inserting the bobbin.....	11	Multi-stitch zig-zag.....	27
Inserting and changing needles.....	12	Straight stretch stitch and Ric Rac stitch (for models A, B & C).....	28
Threading the upper thread.....	13	Honeycomb stitch (for models A, B & C).....	29
Automatic needle threader (optional).....	14	Sewing with the optional cording foot.....	30
Thread tension.....	15	Free motion darning.....	31
Raising the bobbin thread.....	16	Practical stitches (for models A, B & C).....	32
Reverse sewing/ Removing the work/ Cutting the thread.....	17	Maintenance.....	33
Matching needle/ fabric/ thread.....	18	Trouble shooting guide.....	34

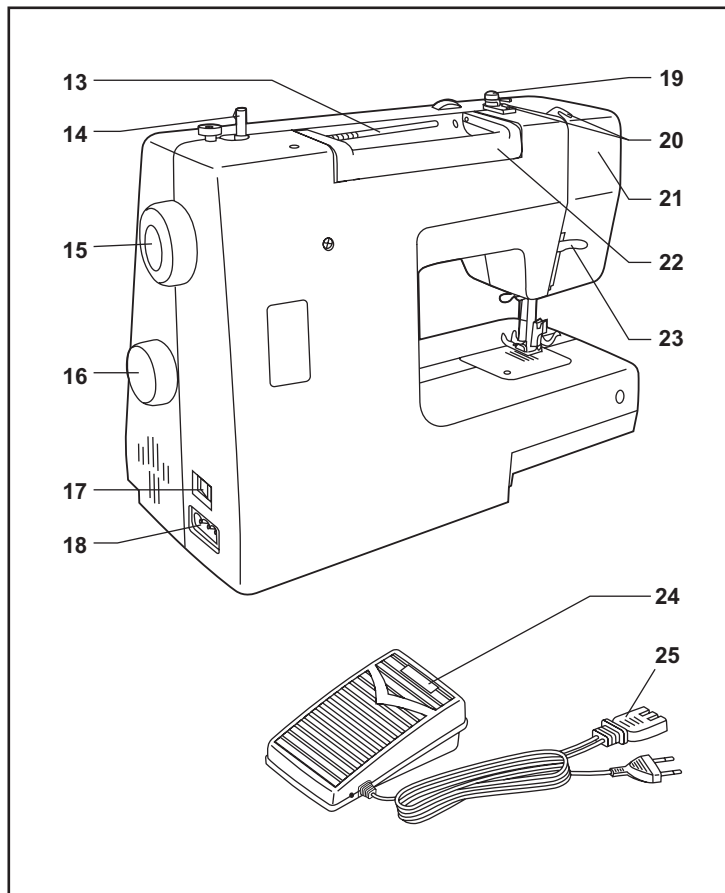
□ Principal parts of the machine

1. Thread tension dial
2. Presser foot pressure adjustment
3. Thread take-up lever
4. Thread cutter
5. Presser foot
6. Needle plate
7. Removable sewing table/accessory storage
8. Bobbin stopper
9. Stitch length dial (not on all models)
10. Stitch width dial (not on all models)
11. Pattern indicator window
12. Reverse sewing lever



□ Principal parts of the machine

- 13. Horizontal spool pin
- 14. Bobbin winder
- 15. Handwheel
- 16. Pattern selector dial
- 17. Power and light switch
- 18. Main plug socket
- 19. Bobbin thread guide
- 20. Upper thread guide
- 21. Face plate
- 22. Handle
- 23. Presser foot lever
- 24. Feed speed control
- 25. Power cord



□ Accessories

Standard accessories

- a. All purpose foot
- b. Zipper foot
- c. Buttonhole foot
- d. Button sewing foot
- e. L-screwdriver
- f. Seam ripper/ brush
- g. Oil bottle
- h. Pack of needles
- l. Bobbin (3x)
- j. Seam guide
- k. Darning plate
- L. Spool holder

Optional accessories

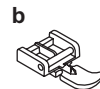
(These 6 accessories are not supplied with this machine; they are however available as special accessories from your local dealer.)

- m. Satin stitch foot
- n. Overcasting foot
- o. Hemmer foot
- p. Blind hem foot
- q. Cording foot
- r. Darning foot

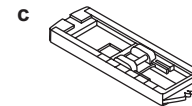
Standard accessories



006806008



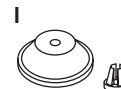
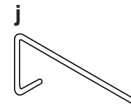
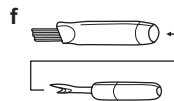
006905008



006909008



006914008



Optional accessories available at extra cost



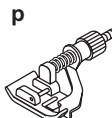
006804008



006803008



006800008



006812008



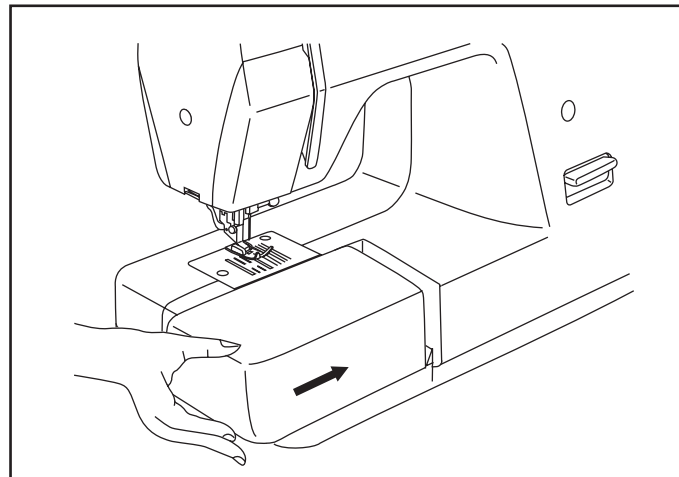
006810008



006016008

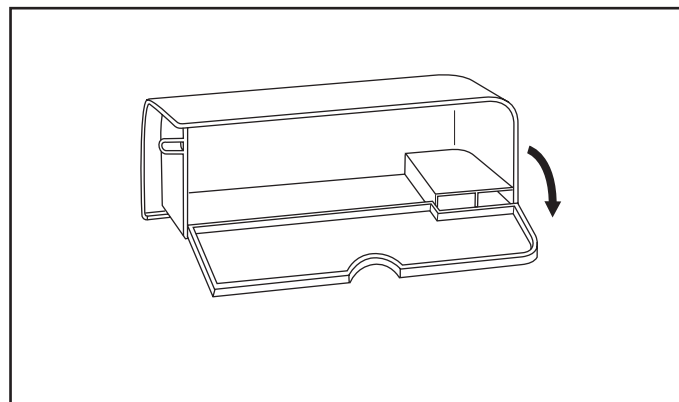
□ Fitting the snap-in sewing table

Keep the snap-in sewing table horizontal, and push it in the direction of the arrow. (1)



The inside of the snap-in sewing table can be utilized as an accessory box.

To open, lift up at the point of the arrow. (2)



□ Connecting machine to power source

Connect the machine to a power source as illustrated. (1)
For appliance is equipped with a polarized plug which must be used with the appropriate polarized outlet. (2)

Attention:

Unplug power cord when machine is not in use.

Foot control

The foot control pedal regulates the sewing speed. (3)

Attention:

Consult a qualified electrician if in doubt as to connect machine to power source.

Unplug power cord when machine is not in use.

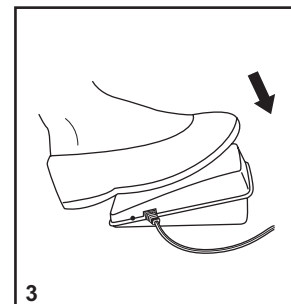
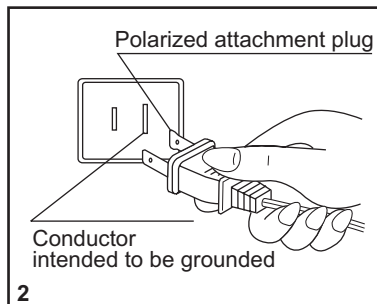
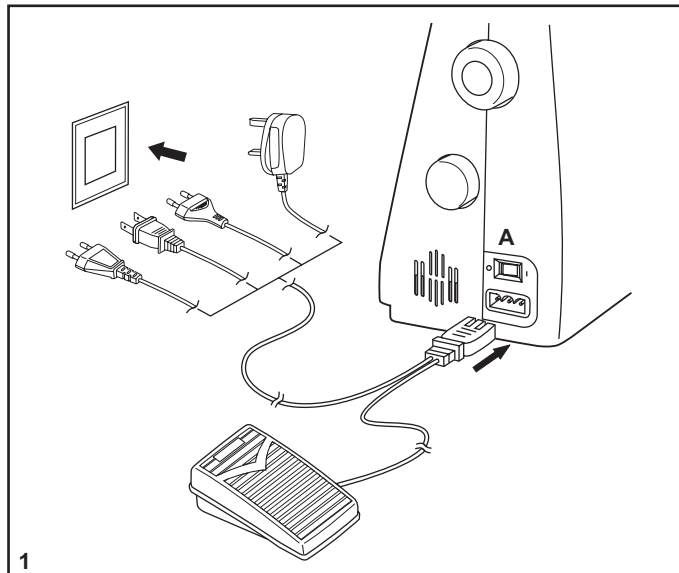
The foot control must be used with the appliance by 4C-316B (110-120V area) / 4C-326G (230V area) / 4C-316C or 4C-326C (220-240V area) manufactured by Panasonic Co., Ltd.(TW)

Sewing light

Press main switch (A) for power and light on " I ".

IMPORTANT NOTICE

For appliance with a polarized plug (one blade is wider than the other). To reduce the risk of electric shock, this plug is intended to fit in a polarized outlet only one way. If it does not fit fully in the outlet, reverse the plug. If it still does not fit, contact a qualified electrician to install the proper outlet. Do not modify the plug in any way.

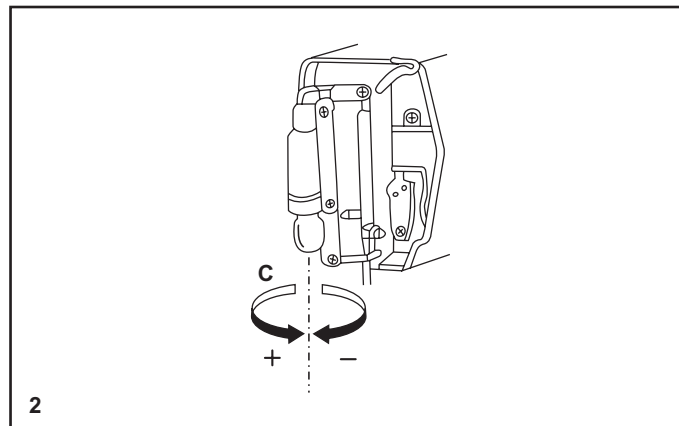
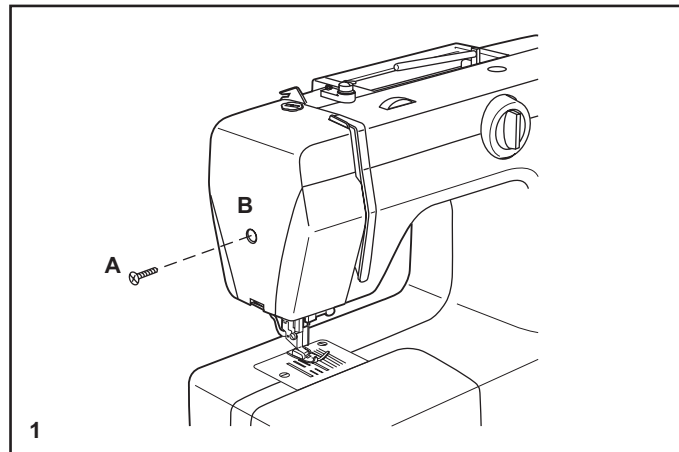


□ Changing the bulb

Disconnect the machine from the power supply by removing the plug from the main socket!

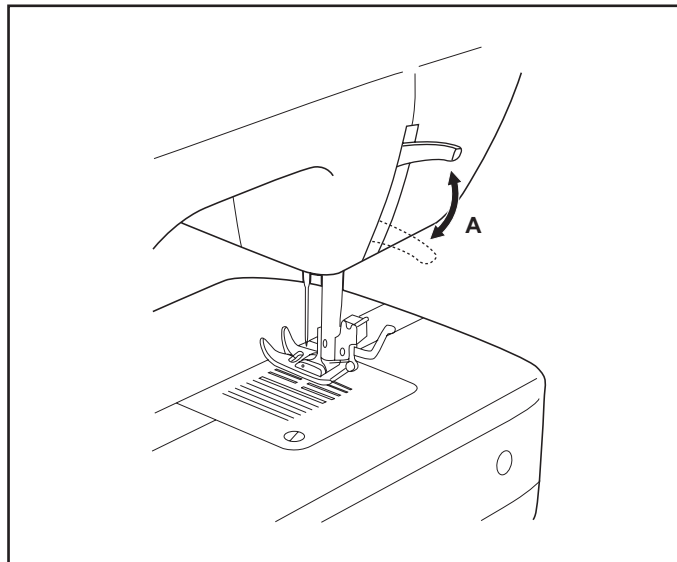
- Loosen screw (A) as illustrated. (1)
- Remove the face plate (B).
- Unscrew the bulb and install a new one (C). (2)
- Replace the face plate and tighten screw.

Should there be any problem, ask your local dealer for advice.



□ Two-step presser foot lifter

When sewing several layers or thick fabrics, the presser foot can be raised to a high rise position for easy positioning of the work. (A)

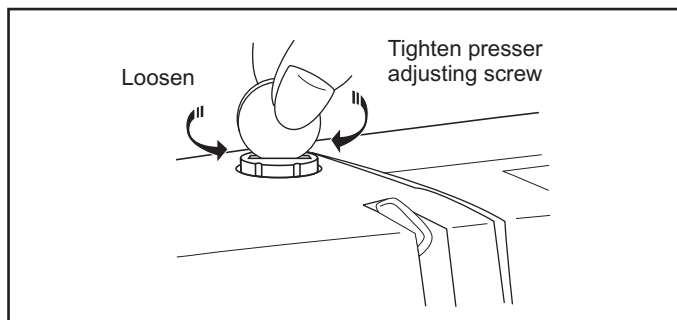


□ Adjusting presser foot pressure

The presser foot pressure of the machine has been pre-set and requires no particular readjustment according to the type of fabric (light-or-heavy weight).

However, if you need to adjust the presser foot pressure, turn the presser adjusting screw with a coin.

For sewing very thin fabric, loosen the pressure by turning the screw counter clockwise, and for heavy fabric, tighten by turning it clockwise.



□ Attaching the presser foot holder

Raise the presser bar (a). Attach the presser foot holder (b) as illustrated. (1)

Attaching the presser foot

Lower the presser foot holder (b) until the cut-out (c) is directly above the pin (d). (2)

Raise the lever (e).

Lower the presser foot holder (b) and the presser foot (f) will engage automatically.

Removing the presser foot

Raise the presser foot. (3)

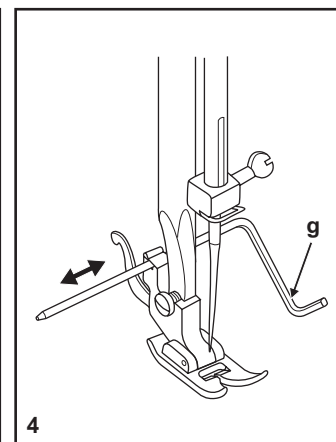
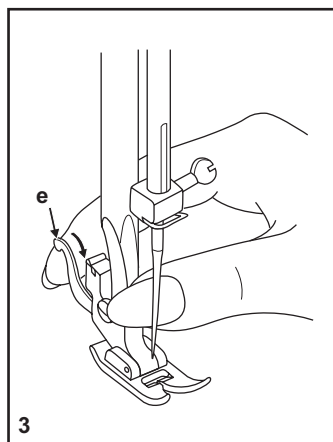
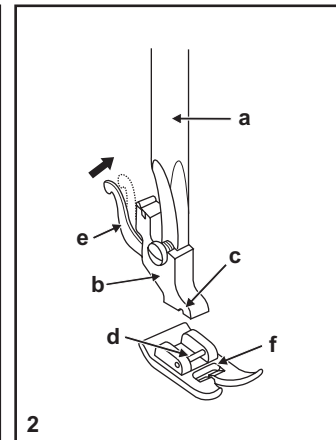
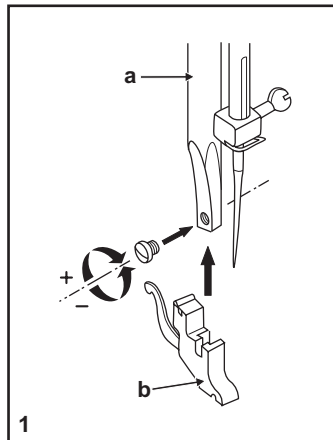
Raise the lever (e) and the foot disengages.

Attaching the seam guide

Attach the seam guide (g) in the slot as illustrated. Adjust according to need for hems, pleats, etc. (4)

Attention:

Turn power switch to off ("O") when carrying out any of the above operations!

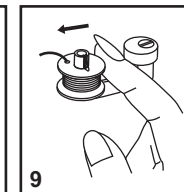
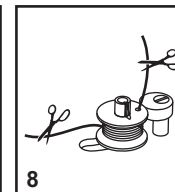
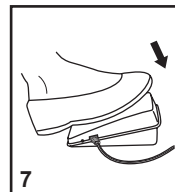
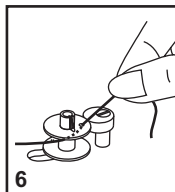
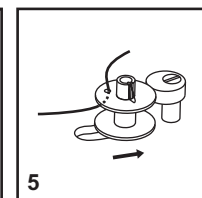
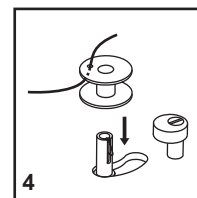
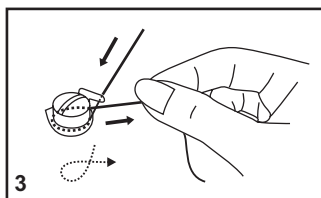
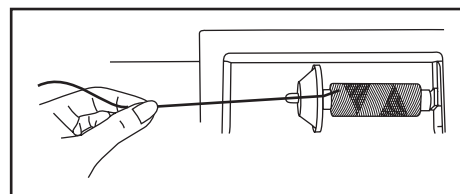
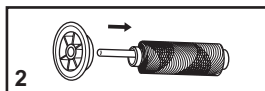
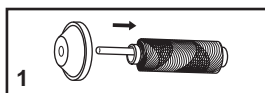
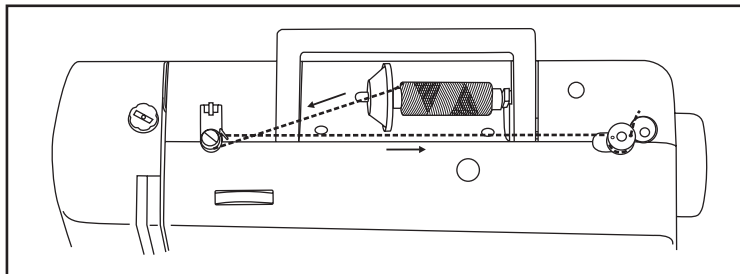


□ Winding the bobbin

- Place thread and spool holder onto spool pin (1). For smaller spools of thread place spool holder with small side next to spool (2).
- Wind thread clockwise around bobbin winder tension discs (3).
- Thread bobbin as illustrated and place on spindle (4).
- Push bobbin to right (5).
- Hold thread end (6).
- Step on foot control pedal (7).
- Cut thread (8).
- Press bobbin to left (9) and remove.

Please Note:

When the bobbin winder spindle is in "bobbin winding" position, the machine will not sew and the hand wheel will not turn. To start sewing, push the bobbin winder spindle to the left (sewing position).



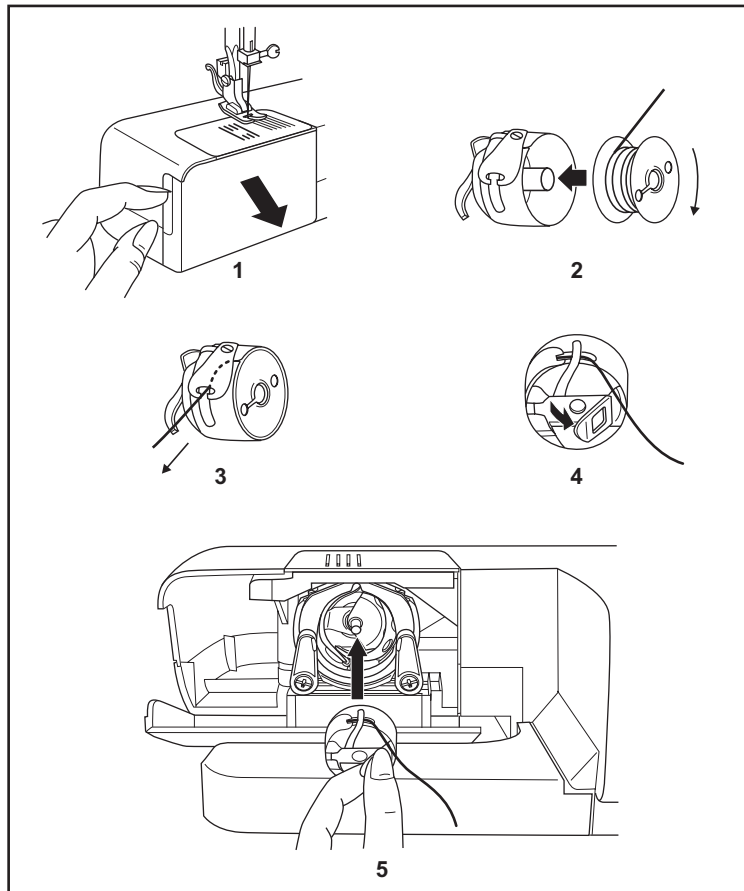
□ Inserting the bobbin

When inserting or removing the bobbin, the needle must be fully raised.

- Open the hinged cover (1).
- Hold the bobbin case with one hand. Insert the bobbin so that the thread runs in a clockwise direction (arrow) (2).
- Pull the thread through the slit and under the finger (3).
- Hold the bobbin case by the hinged latch (4).
- Insert it into the shuttle (5).

Attention:

Turn power switch to off ("O") before inserting or removing the bobbin.



□ Inserting and changing needles

Change the needle regularly, especially if it is showing signs of wear and causing problems. For best sewing results always use SINGER Brand Needles.

Insert the needle as illustrated as follows:

- A. Loosen the needle clamp screw and tighten again after inserting the new needle. (1)
- B. The flat side of the shaft should be towards the back.
- C/D. Insert the needle as far up as it will go.

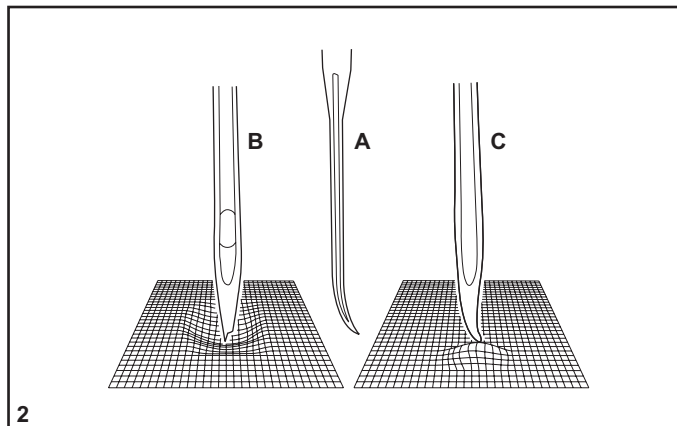
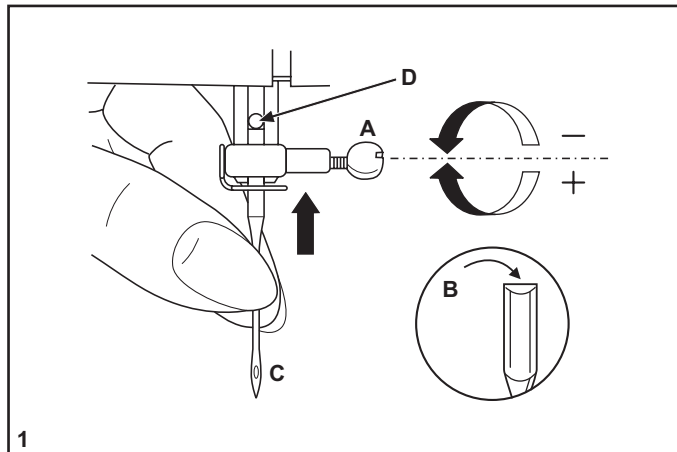
Attention:

Turn power switch to off ("O") before inserting or removing the needle.

Needles must be in perfect condition. (2)

Problems can occur with:

- A. Bent needles
- B. Blunt needles
- C. Damaged points



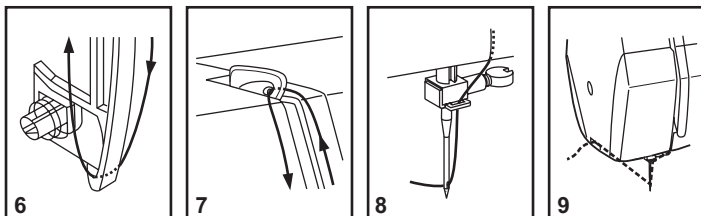
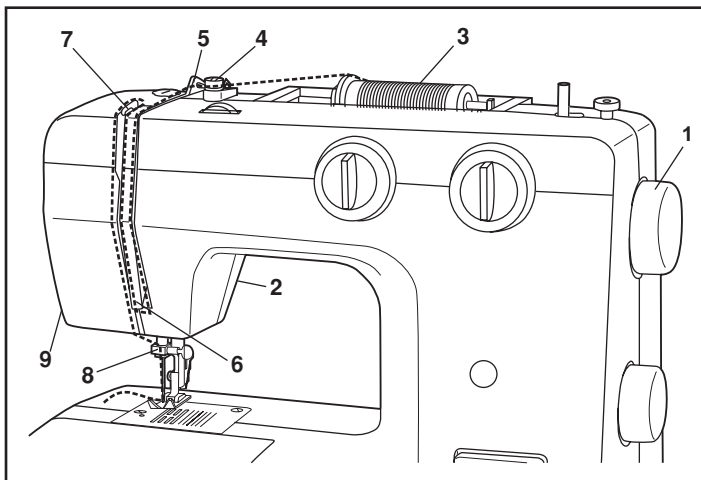
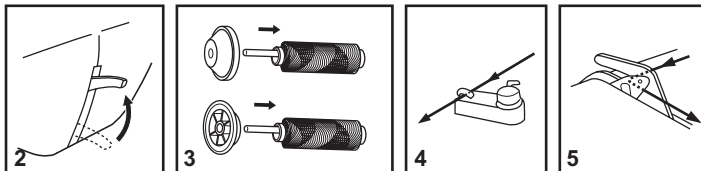
□ Threading the upper thread

This is a simple operation but it is important to carry out correctly as by not doing so several sewing problems could result.

- Start by raising the needle to its highest point (1), and also raise the presser foot to release the tension discs. (2)
- Note:** For safety, it is strongly suggested you turn off the power before threading.
- Lift up the spool pin. Place the spool of thread on the holder with the thread coming off the spool as shown. For small thread spools, place small side of spool holder next to spool. (3)
- Draw thread from spool through the upper thread guide. (4)
- Guide thread around thread guide (5) pulling thread through pre-tension spring as illustrated.
- Thread tension module by leading thread down right channel and up left channel (6). During this process it is helpful to hold the thread between the spool and thread guide (4).
- At the top of this movement pass thread from right to left through the slotted eye of the take-up lever and then downwards again. (7)
- Now pass thread behind the thin wire needle clamp guide (8) and then down to the needle which should be threaded from front to back. Pull about 6-8 inches of thread to the rear beyond the needle eye. Trim thread to length with built in thread cutter. (9)

Note:

If your sewing machine is equipped with the factory installed optional automatic needle threader, instructions for use can be found on page 14.



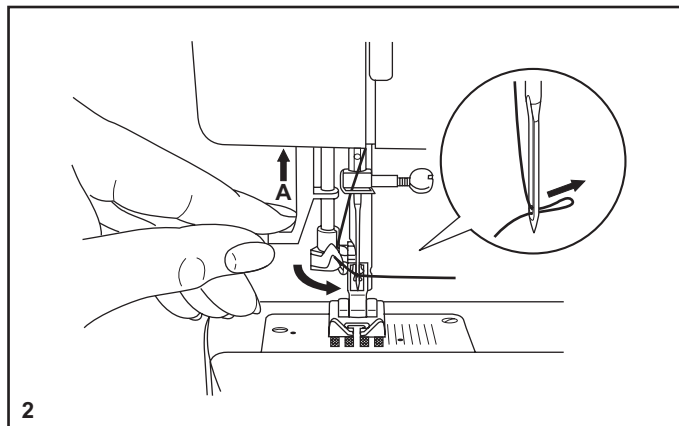
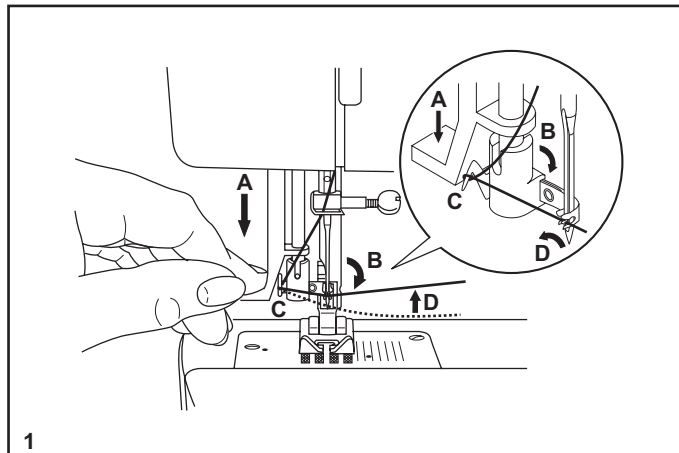
□ Automatic needle threader (optional)

* The automatic needle threader is a factory installed option. If your machine has this option use the following instructions:

- Raise the needle to its highest position.
- Press lever (A) down as far as it will go.
- The threader automatically swings to the threading position (B).
- Pass thread around thread guide (C).
- Pass the thread in front of the needle around the hook (D) from bottom to top.
- Release lever (A).
- Pull the thread through the needle eye.

Attention:

Turn power switch to off ("O")!



□ Thread tension

Upper thread tension

Basic thread tension setting: "4"

To increase the tension, turn the dial to the next number up. To reduce the tension, turn the dial to the next number down.

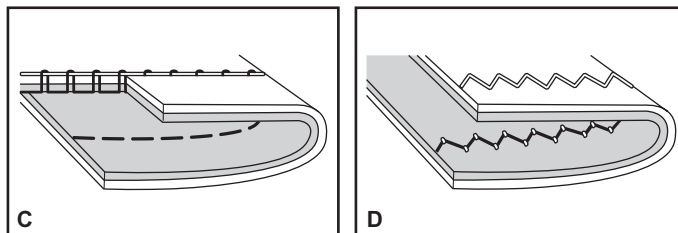
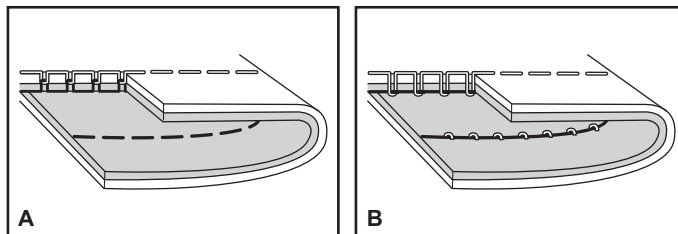
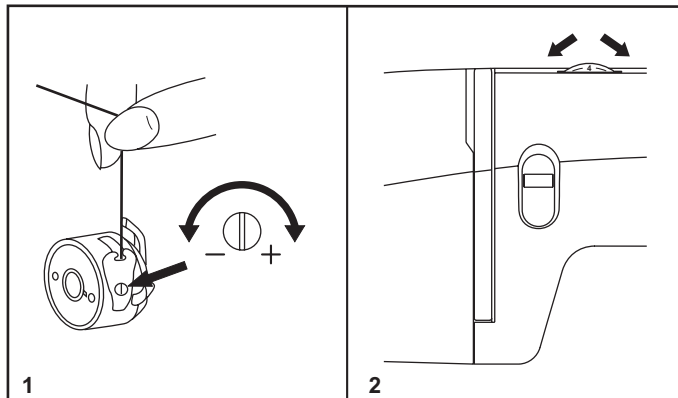
- A. Normal thread tension for straight stitch sewing.
- B. Thread tension too loose for straight stitch sewing. Turn dial to higher number.
- C. Thread tension too tight for straight stitch sewing. Turn dial to lower number.
- D. Normal thread tension for zig zag and decorative sewing. Correct thread tension is when a small amount of the upper thread appears on the bottom side of fabric.

Lower thread tension

To test the bobbin thread tension, remove the bobbin case and bobbin and hold it by suspending it by the thread. Jerk it once or twice. If the tension is correct, the thread will unwind by about an inch or two. If the tension is too tight, it does not unwind at all. If the tension is too loose, it will drop too much. To adjust, turn the small screw on the side of the bobbin case.

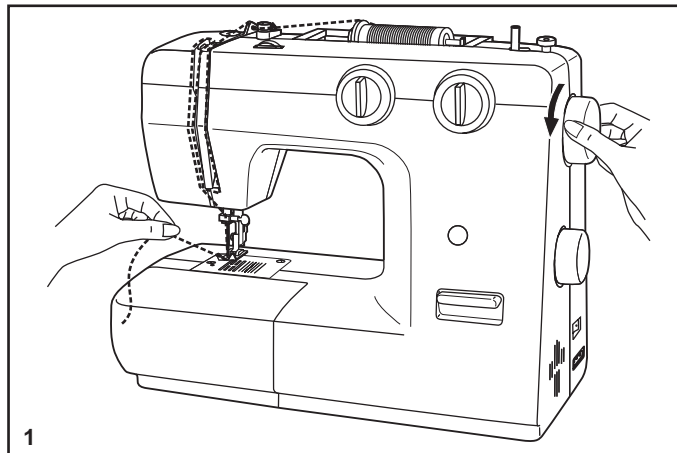
Please note:

- Proper setting of tension is important to good sewing.
- There is no single tension setting appropriate for all stitch functions, thread on fabric.
- A balanced tension (identical stitches both top and bottom) is usually only desirable for straight stitch construction sewing.
- 90% of all sewing will be between "3" and "5" ("4" is basic setting).
- For zig zag and decorative sewing stitch functions, thread tension should generally be less than for straight stitch sewing.
- For all decorative sewing you will always obtain a nicer stitch and less fabric puckering when the upper thread appears on the bottom side of your fabric.

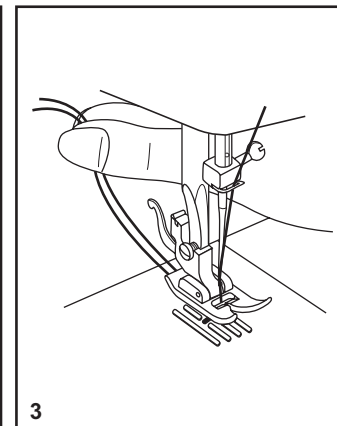
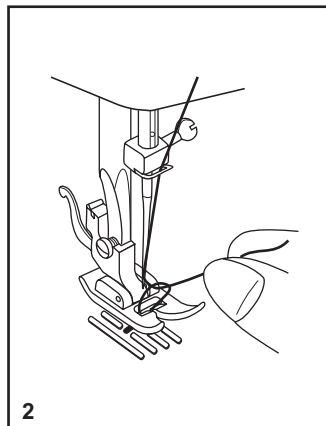


□ Raising the bobbin thread

Hold the upper thread with the left hand. Turn the handwheel (1) towards you (counterclockwise) lowering, then raising needle.



Gently pull on the upper thread to bring the bobbin thread up through the needle plate hole (2). Lay both threads to the back under the presser foot. (3)



□ Reverse sewing

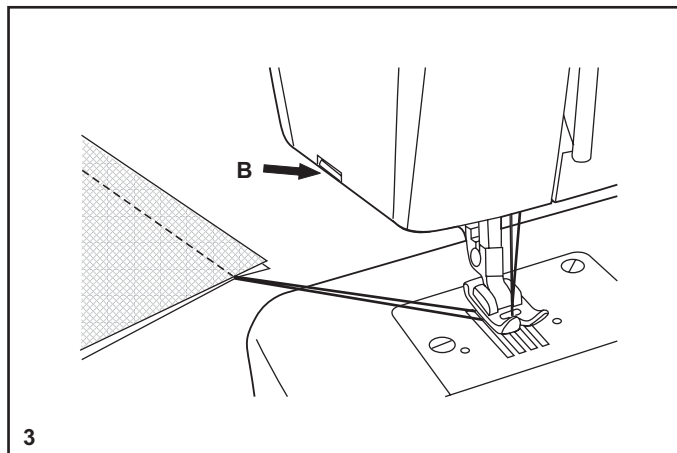
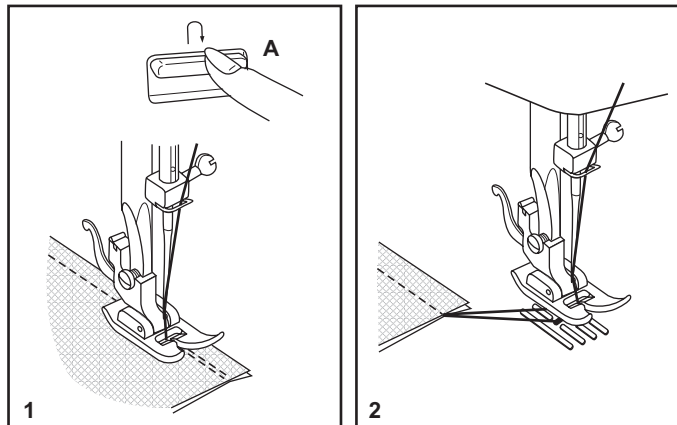
To secure the beginning and the end of seam, press down the reverse sewing lever (A). Sew a few reverse stitches. Release the lever and the machine will sew forwards again. (1)

□ Removing the work

Turn the handwheel counterclockwise to bring the thread take up lever to its highest position, raise the presser foot and remove work behind the needle and presser foot. (2)

□ Cutting the thread

Pull the threads behind the presser foot. Guide the threads to the side of the face plate and into thread cutter (B). Pull threads down to cut. (3)



Matching needle/ fabric/ thread

NEEDLE, FABRIC, THREAD SELECTION GUIDE

NEEDLE SIZE	FABRICS	THREAD
9-11 (70-80)	Lightweight fabrics-thin cottons, voile, serge, silk , muslin, Qiana, interlocks, cotton knits, tricots, jerseys, crepes, woven polyester, shirt & blouse fabrics.	Light-duty thread in cotton, nylon ,polyester or cotton wrapped polyester.
11-14 (80-90)	Medium weight fabrics-cotton, satin, kettleciath, sailcloth, double knits, lightweight woollens.	Most threads sold are medium size and suitable for these fabrics and needle sizes. Use polyester threads on synthetic materials and cotton on natural woven fabrics for best results. Always use the same thread on top and bottom.
14 (90)	Medium weight fabrics-cotton duck, woolen, heavier knits, terrycloth, denims.	
16 (100)	Heavyweight fabrics-canvas, woolens, outdoor tent and quilted fabrics, denims, upholstery material (light to medium).	
18 (110)	Heavy woollens, overcoat fabrics, upholstery fabrics, some leathers and vinyls.	Heavy duty thread, carpet thread. (Use heavy foot pressure-large numbers.)

IMPORTANT : Match needle size to thread size and weight of fabric.

NEEDLE, FABRIC SELECTION

NEEDLES	EXPLANATION	TYPE OF FABRIC
SINGER 2020	Standard sharp needles. Sizes range thin to large. 9 (70) to 18 (110).	Natural woven fabrics-wool, cotton, silk, etc. Qiana. Not recommended for double knits.
SINGER 2045	Semi-ball point needle, scarfed. 9 (70) to 18 (110).	Natural and synthetic woven fabrics, polyester blends. Knits-polyesters, interlocks, tricot, single and double knits. Also sweater knits, Lycra, swimsuit fabric, elastic.
SINGER 2025	Twin Needle.	Woven fabrics and knits.
SINGER 2032	Leather needles. 12 (80) to 18 (110)	Leather, vinyl, upholstery. (Leaves smaller hole than standard large needle.)

Note twin needle:

1. Twin needles, can be purchased for utility and decorative work.
2. When sewing with twin needles, the stitch width dial should be set at less than "3".
3. For best sewing results always use genuine SINGER needles.
4. Replace needle often (approximately every other garment) and / or at first thread breakage or skipped stitches.

□ How to choose your pattern

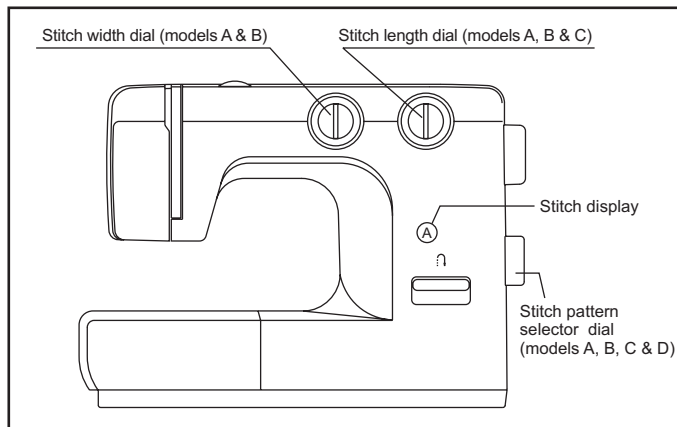
At the start of this manual, you were informed that this book covers the operation of multiple models of sewing machines. The primary difference between the various models is the type and number of stitch patterns. In addition to stitch patterns there is also a difference in the number of dials used to modify the patterns.

On all models stitch patterns are chosen by turning the stitch pattern selector dial. The pattern on an alphabet letter depicting the pattern will show in the stitch display window. As you study the chart on the right while examining your sewing machine you will be able to easily determine which model is your sewing machine.

If you determine your sewing machine is either A or B model pay attention to the instructions on the next page for stitch width dial and stitch length dial.

If you have model C then ignore the instructions for stitch width dial and only pay attention to stitch length dial.

If you have model D then all your pattern lengths and widths are pre-set and you do not have length or width dials.



Note:

For ease of operation the stitch patterns and stitch length dial are color coded. For example to sew honeycomb pattern 19 the stitch graphic is red and the "S1" on the stitch length dial is red.

Stitch pattern	Utility										Block satin					Stretch																	Buttonhole										
	1	2	3	4	5	6	7	8	9	10	11	12	13	14	15	16	17	18	19	20	21	22	23	24	25	26	27	28	29	30	31	32	33	34	35	36	37	38					
Model	0	0	0	0	0	0	0	0	0	0	0	0	0	0	0	0	0	0	0	0	0	0	0	0	0	0	0	0	0	0	0	0	0	0	0	0	0	0	0	0			
A	3 DIALS	▲	▲	▲	▲	▲	▲	▲	▲	▲	▲	▲	▲	▲	▲	▲	▲	▲	▲	▲	▲	▲	▲	▲	▲	▲	▲	▲	▲	▲	▲	▲	▲	▲	▲	▲	▲	▲	▲	▲	▲		
B	3 DIALS	▲	▲	▲	▲	▲	▲	▲	▲	▲	▲	▲	▲			▲	▲	▲	▲	▲	▲	▲	▲	▲	▲	▲	▲															▲	
C	2 DIALS		▲	▲	▲	▲	▲	▲	▲	▲			▲			▲	▲	▲	▲	▲	▲	▲	▲	▲		▲																	▲
D	1 DIAL		▲		▲	▲	▲	▲					▲																													▲	

□ Function of stitch width dial and stitch length dial

Function of stitch width dial (for models A & B)

The maximum zigzag stitch width for zigzag stitching is 5mm; however, the width can be reduced on any patterns. The width increases as you move zigzag dial from "0" - "5". For twin needle sewing, never set the width wider than "3" (1).

The stitch width dial is also the control for the straight stitch infinite needle position. "0" position is full left, "5" is full right and between "2" and "3" is center needle position.

Function of stitch length dial while zigzagging

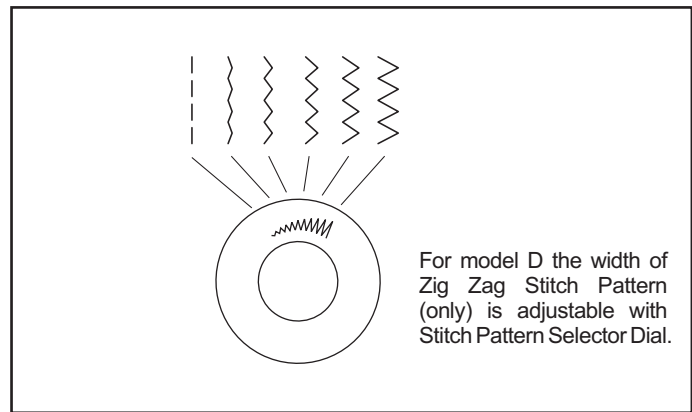
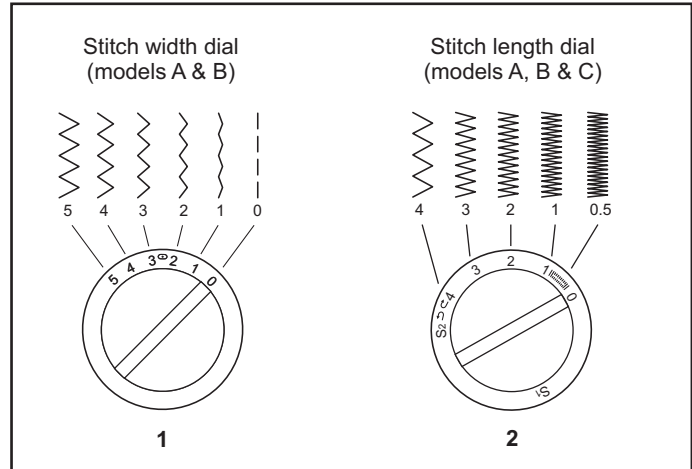
(for models A, B & C)

The density of zigzag stitches increase as the setting of stitch length dial approaches "0".

Neat zigzag stitches are usually achieved at "2.5" or below (2).

Closed up zigzag stitches are called satin stitches (2).

For straight stitch sewing, generally speaking, the thicker the fabric, thread and needle, the longer the stitch should be.



□ Blind hem/ lingerie stitch

* The blindhem foot is an optional accessory not supplied with this machine.

For hems, curtains, trousers, skirts, etc.

~~~~~ Blind hem for stretch fabrics. (for models B, C & D)

^...^ Blind hem/lingerie for firm fabrics.

Set the machine as illustrated (1).

### **Note:**

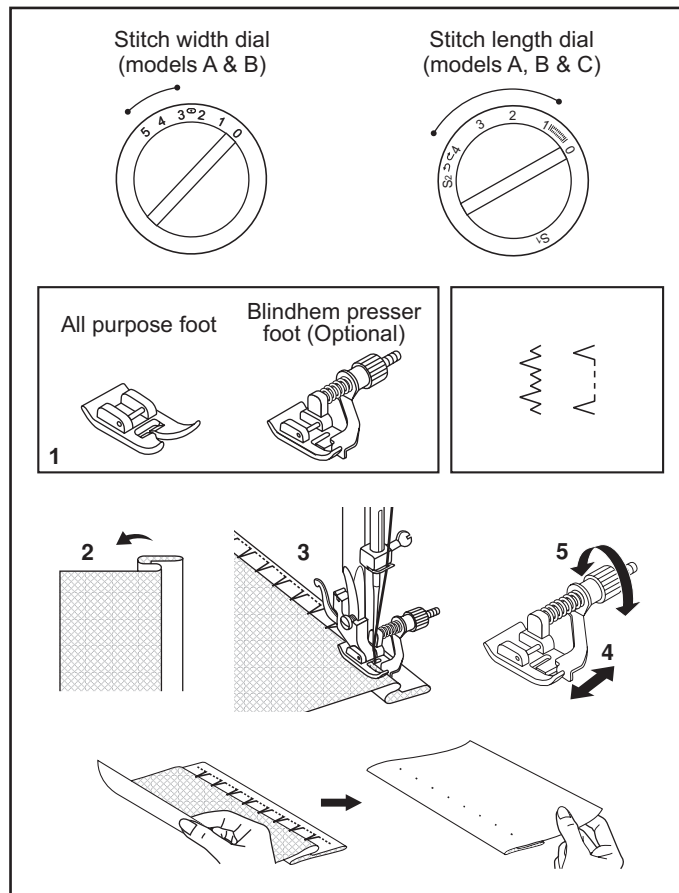
It takes practice to sew blind hems. Always make a sewing test first.

Fold the fabric as illustrated with the wrong side uppermost (2). Place the fabric under the foot. Turn the handwheel forwards by hand until the needle swings fully to the left. It should just pierce the fold of the fabric. If it does not, adjust the stitch width accordingly (3).

Adjust the guide (4) by turning the knob (5) so that the guide just rests against the fold.

Sew slowly, guiding the fabric carefully along the edge of the guide.

Turn the speed control to minimum! It takes practice to sew blind hems. Always make a sewing test first.





## □ Overlock stitches (for models A, B & C)

\* The overcasting foot is an optional accessory not supplied with this machine.

Seams, overcasting, visible hems.

**Standard overlock (A)** :  (for model A)

For fine knits, jerseys, neck edges, ribbing.

**Double overlock stitch (B)** : 

For fine knits, handknits, seams.

**Stretch overlock (C)** : 

For fine knits, jerseys, neck edges, ribbing.

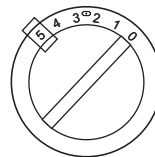
All overlock stitches are suitable for sewing and overcasting edges and visible seams in one operation.

When overcasting, the needle should just go over the edge of the fabric.

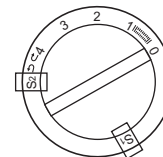
### **Attention:**

Use new needles or ball point needles to avoid skipping.

Stitch width dial  
(models A & B)



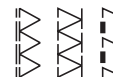
Stitch length dial  
(models A, B & C)



All purpose foot



Overcasting foot  
(Optional)



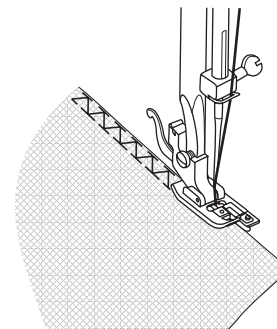
A



B



C



## □ Sewing on buttons

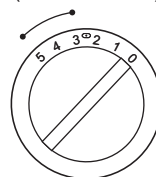
Install the darning plate. (A)

Change presser foot to button sewing foot. (B) Select zigzag stitch.

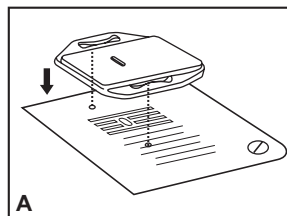
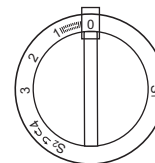
Position the work under the foot. Place the button on the marked position, lower the foot. Adjust stitch width to "0" and sew a few securing stitches. Set the stitch width to number "3" - "5". Turn the handwheel to check that the needle goes cleanly into the left and right holes of the button (adjust the stitch width according to the button), and slowly sew on the button with about 10 stitches. Adjust the stitch width to "0" and sew a few securing stitches (1).

If a shank is required, place a darning needle on top of the button and sew (2). For buttons with 4 holes, sew through the front two holes first (1), push the work forward and then sew through the back two holes as described (2).

Stitch width dial  
(models A & B)

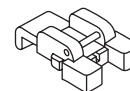


Stitch length dial  
(models A, B & C)

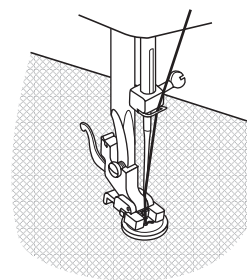


A

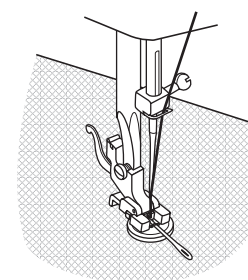
Button sewing foot



B



1




2

## □ Sew 4-step buttonholes

### Prepare

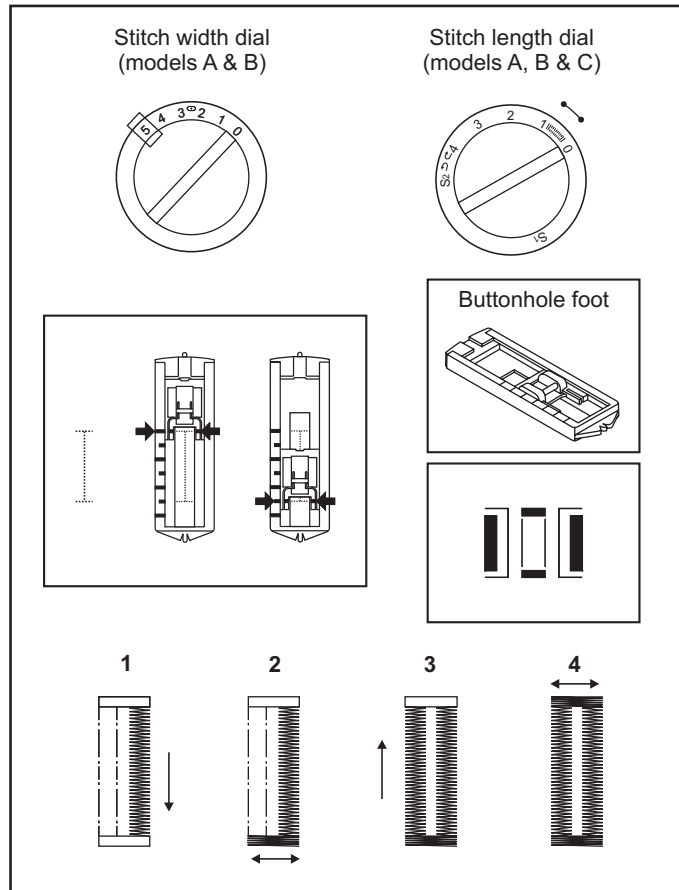
1. Take off the all purpose foot and attach the buttonhole foot.
2. Measure diameter and thickness of button and add 0.3 cm (1/8") for bar tacks; mark buttonhole size on fabric.
3. Place fabric under the foot, so that marking on the buttonhole foot aligns with starting marking on fabric. Lower the foot, so that the buttonhole center line marked on the fabric aligns with the center of the buttonhole foot.

Adjust the stitch length dial in the "  " to set stitch density. **Note:** density varies according to the fabric. Always test sew a buttonhole.

Follow the 4-step sequence changing from one step to another with the stitch pattern selector dial. Take care not to sew too many stitches in stages 2 and 4. Use seam ripper and cut buttonhole open from both ends towards the middle.

### Tips:

- Slightly reduce upper thread tension produce better results.
- Use a backing for fine or stretchy fabrics.
- It is advisable to use heavy thread or cord for stretch or knit fabrics.
- The zig-zag should sew over the heavy thread or cord.



## □ Zippers and piping

Set the pattern selector dial to "⏏" or "⏏".

Change to zipper foot.

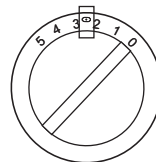
The zipper foot can be attached right (1) or left (2) depending on which side of the foot you are going to sew.

To sew past the zipper pull, lower the needle into the fabric, raise the presser foot and push the zipper pull behind the presser foot. Lower the foot and continue to sew.

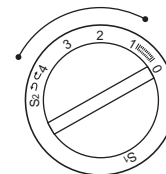
It is also possible to sew in a length of cord, into a bias strip to form a welt (3).

Set stitch length control between "1" - "4" (according to thickness of fabric).

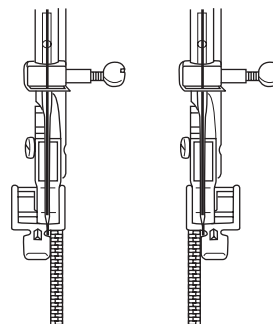
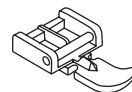
Stitch width dial  
(models A & B)



Stitch length dial  
(models A, B & C)

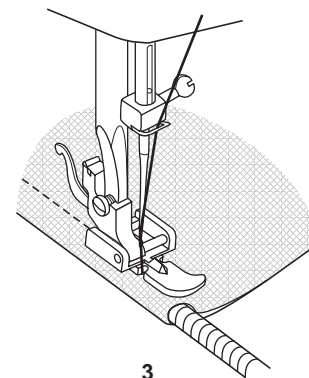


Zipper foot



1

2



3

## □ Sewing with the optional hemmer foot

\* The hemmer foot is an optional accessory not supplied with your machine.

For hems in fine or sheer fabrics.

Set the stitch pattern dial to "1" or "2".

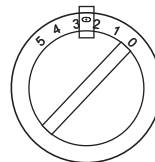
Change to optional hemmer foot.

Neaten the edge of the fabric. At the beginning of the hem, turn under the edge twice by about 3 mm (1/8") and sew 4-5 stitches to secure. Pull the thread slightly towards the back. Insert the needle into the fabric, raise the presser foot and guide the fold into the scroll on the foot (1).

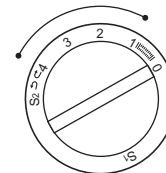
Gently pull the fabric edge towards you and lower the presser foot.

Begin sewing, guiding the fabric into the scroll by holding it upright and slightly to the left (2).

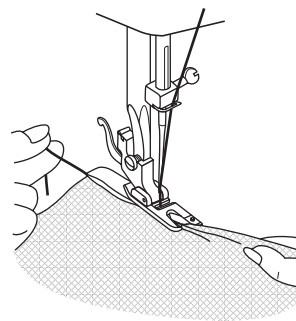
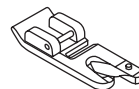
Stitch width dial  
(models A & B)



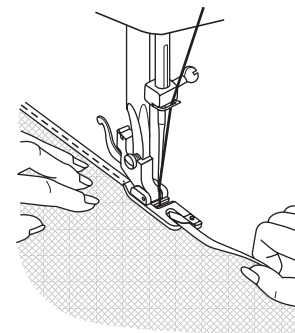
Stitch length dial  
(models A, B & C)



Hemmer foot  
(Optional)



1



2

## □ Multi-stitch zig-zag

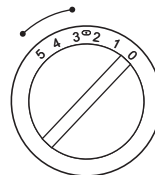
Sewing on lace and elastic, darning, mending, reinforcing edges, bar tacks.

Set the stitch pattern dial to " ".

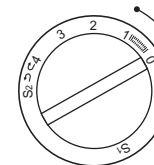
Place patch in position. The stitch length can be shortened to produce very close stitches. (1)

When mending tears, it is advisable to use a piece of backing fabric to reinforce. The stitch density can be varied by adjusting the stitch length. First sew over the center and then overlap on both sides. Depending on the type of fabric and damage, sew between 3 and 5 rows. (2)

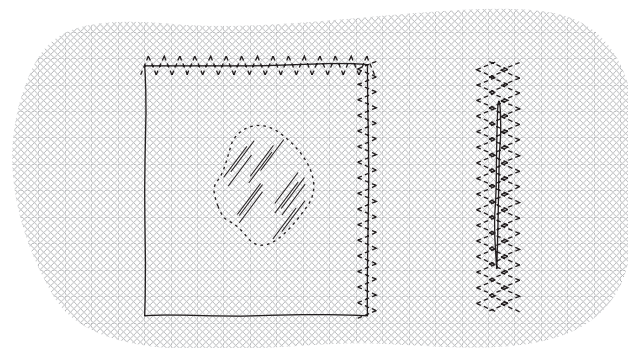
Stitch width dial  
(models A & B)



Stitch length dial  
(models A, B & C)



All purpose foot



1

2

## □ Straight stretch stitch and Ric Rac stitch (for models A, B & C)

### Straight stretch stitch

Set the stitch pattern dial to " ||| ".

Used to add triple reinforcement to stretch and hardwearing seams.

Turn the stitch length dial to "S1".

The machine sews two stitches forwards and one stitch backwards.

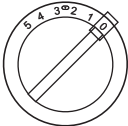
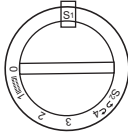
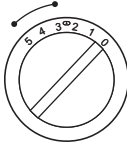
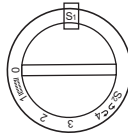

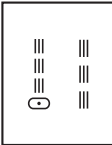

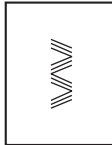
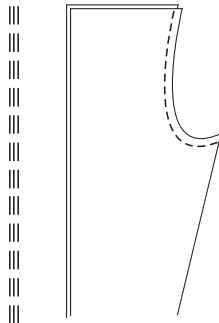
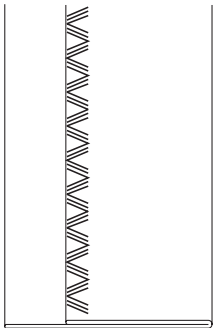
### Ric Rac stitch

Set the stitch pattern dial to " / \ / \ ".

Turn the stitch length dial to "S1".


Adjust the stitch width dial to between "3" and "5".

Ric Rac Stitch is suitable for firm fabrics like denim, corduroy, poplin, duck, etc.

| Stitch width dial<br>(models A & B)                                                | Stitch length dial<br>(models A, B & C)                                            | Stitch width dial<br>(models A & B)                                                 | Stitch length dial<br>(models A, B & C)                                             |
|------------------------------------------------------------------------------------|------------------------------------------------------------------------------------|-------------------------------------------------------------------------------------|-------------------------------------------------------------------------------------|
|   |  |  |  |
|   |  |  |  |
| <b>Straight stretch stitch</b>                                                     |                                                                                    | <b>Ric Rac stitch</b>                                                               |                                                                                     |
|  |                                                                                    |  |                                                                                     |

## □ Honeycomb stitch (for models A, B & C)

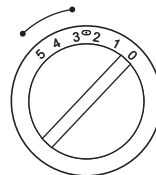
Seams, hems, T-shirts, underwear, etc.

Set stitch pattern selector on "  ".

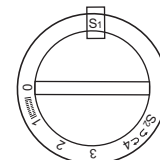
This stitch can be used for all types of jersey and woven fabrics.

When using honeycomb stitch pattern for hemming sew at 1cm (1/4") from the fabric edge and trim the surplus fabric.

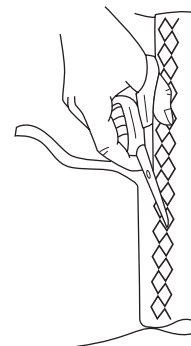
Stitch width dial  
(models A & B)



Stitch length dial  
(models A, B & C)



All purpose foot






## □ Sewing with the optional cording foot

\* The cording foot is an optional accessory not supplied with your machine.

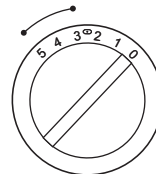
Decorative effects, cushions, tablecloths, etc.

Set stitch pattern selector on " ".

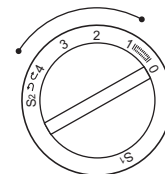
In addition to zig zag, various other stitches are suitable for sewing on cord, e.g. blindhem, multi-stitch zig zag, and selected decorative stitches.

Insert the cord between the spring covering the cord groove and the foot (1). The cord should run in the groove. One, two or three cords can be sewn on. The stitch width is adjusted according to the number of cords and the stitch selected (2).

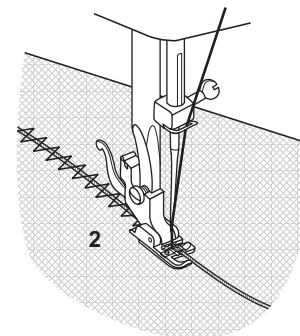
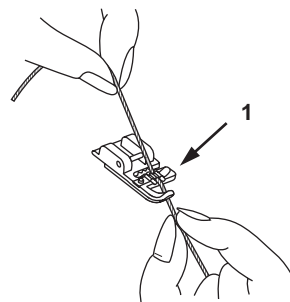
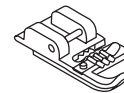
Stitch width dial  
(models A & B)



Stitch length dial  
(models A, B & C)




Cording foot  
(Optional)



## □ Free motion darning

\* The darning foot is an optional accessory not included with your machine.

Set the pattern selector dial to "  " or "  ".(1)

Install the darning plate (2).

Remove the presser foot clamp (3).

Attach the darning foot to the presser foot holder. The lever (A) should be behind the needle clamp screw (B). Press the darning foot on firmly from behind with your index finger and tighten the screw (C) (4).

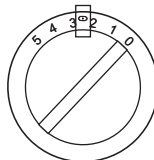
First sew around the edge of the hole (to secure the threads) (5). First row: Always work from left to right. Turn work by 1/4 and oversew.

A darning ring is recommended for easier sewing and better results.

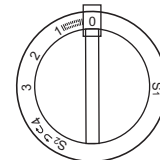
### **Note:**

Free motion darning is accomplished without the sewing machine internal feed system. Movement of the fabric is controlled by the operator. It is necessary to coordinate sewing speed and movement of fabric.

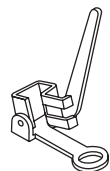
Stitch width dial  
(models A & B)



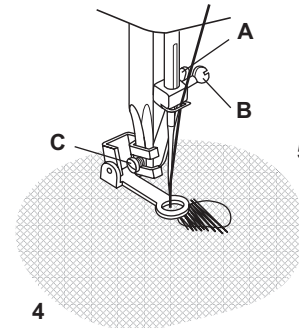
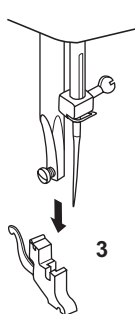
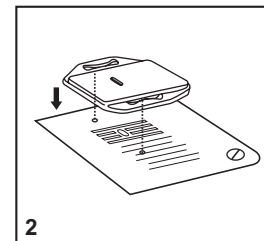
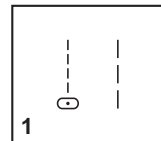
Stitch length dial  
(models A, B & C)



Darning foot  
(Optional)



**Note:** Stitch length cannot be controlled with dial as feed dogs are lowered.



## □ Practical stitches (for models A, B & C)

Set the machine as illustrated.

Turn the switch width dial and stitch length dial to the same colour code and adjust to suit the fabric.

### Shell stitch (a)

For decorative edges.

Suitable for edges on sheer, fine and stretch fabrics. The larger stitch should go just over the edge of the fabric to create the shell effect.

### Feather or Thorn Bridging Stitch (b) (for models B & C )

For seams, place mats, tablecloths.

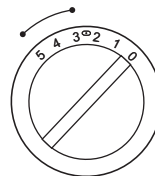
Decorative joining seam for a fagotted effect.

### Rampart Stitch (c)

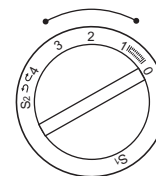
Gathering with cord or shirring with elastic.

This stitch can be used for firm, thicker fabrics.

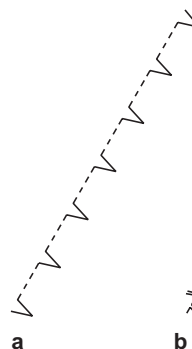
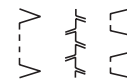
Stitch width dial  
(models A & B)



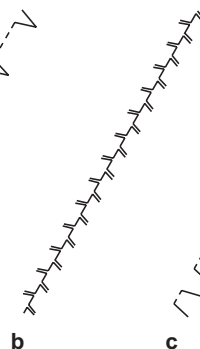
Stitch length dial  
(models A, B & C)



All purpose foot



a



b



c



## □ Trouble shooting guide

---

| <b>Problem</b>               | <b>Cause</b>                                                                                                                                                                                                                                                                                                                | <b>Correction</b>                                                                                                                                                                                                                                                                                                 |
|------------------------------|-----------------------------------------------------------------------------------------------------------------------------------------------------------------------------------------------------------------------------------------------------------------------------------------------------------------------------|-------------------------------------------------------------------------------------------------------------------------------------------------------------------------------------------------------------------------------------------------------------------------------------------------------------------|
| Upper thread breaks          | <ol style="list-style-type: none"><li>1.The machine is not threaded correctly</li><li>2.The thread tension is too tight</li><li>3.The thread is too thick for the needle</li><li>4.The needle is not inserted correctly</li><li>5.The thread is wound around the spool holder pin</li><li>6.The needle is damaged</li></ol> | <ol style="list-style-type: none"><li>1.Rethread the machine</li><li>2.Reduce the thread tension (lower number)</li><li>3.Select a larger needle</li><li>4.Remove and reinsert the needle (flat side towards the back)</li><li>5.Remove the reel and wind thread onto reel</li><li>6.Replace the needle</li></ol> |
| Lower thread breaks          | <ol style="list-style-type: none"><li>1.The bobbin case is not inserted correctly</li><li>2.The bobbin case is threaded wrong</li><li>3.The lower thread tension is too tight</li></ol>                                                                                                                                     | <ol style="list-style-type: none"><li>1.Remove and reinsert the bobbin case and pull on the thread. The thread should pull easily</li><li>2.Check both bobbin and bobbin case</li><li>3.Looseen lower thread tension as described</li></ol>                                                                       |
| Skipped stitches             | <ol style="list-style-type: none"><li>1.The needle is not inserted correctly</li><li>2.The needle is damaged</li><li>3.The wrong size needle has been used</li><li>4.The foot is not attached correctly</li></ol>                                                                                                           | <ol style="list-style-type: none"><li>1.Remove and reinsert needle(flat side towards the back)</li><li>2.Insert a new needle</li><li>3.Choose a needle to suit the thread and fabric</li><li>4.Check and attach correctly</li></ol>                                                                               |
| Needle breaks                | <ol style="list-style-type: none"><li>1.The needle is damaged</li><li>2.The needle is not correctly inserted</li><li>3.Wrong needle size for the fabric</li><li>4.The wrong foot is attached</li></ol>                                                                                                                      | <ol style="list-style-type: none"><li>1.Insert a new needle</li><li>2.Insert the needle correctly (flat side towards the back)</li><li>3.Choose a needle to suit the thread and fabric</li><li>4.Select the correct foot</li></ol>                                                                                |
| Loose stitches               | <ol style="list-style-type: none"><li>1.The machine is not correctly threaded</li><li>2.The bobbin case is not correctly threaded</li><li>3.Needle/fabric/thread combination is wrong</li><li>4.Thread tension wrong</li></ol>                                                                                              | <ol style="list-style-type: none"><li>1.Check the threading</li><li>2.Thread the bobbin case as illustrated</li><li>3.The needle size must suit the fabric and thread</li><li>4.Correct the thread tension</li></ol>                                                                                              |
| Seams gather or pucker       | <ol style="list-style-type: none"><li>1.The needle is too thick for the fabric</li><li>2.The stitch length is wrong adjusted</li><li>3.The thread tension is too tight</li></ol>                                                                                                                                            | <ol style="list-style-type: none"><li>1.Select a finer needle</li><li>2.Readjust the stitch length</li><li>3.Looseen the thread tension</li></ol>                                                                                                                                                                 |
| Uneven stitches, uneven feed | <ol style="list-style-type: none"><li>1.Poor quality thread</li><li>2.The bobbin case is wrong threaded</li><li>3.Fabric has been pulled</li></ol>                                                                                                                                                                          | <ol style="list-style-type: none"><li>1.Select a better quality thread</li><li>2.Remove bobbin case, thread and insert correctly</li><li>3.Do not pull on the fabric while sewing, let it be taken up by the machine</li></ol>                                                                                    |
| The machine is noisy         | <ol style="list-style-type: none"><li>1.The machine must be lubricated</li><li>2.Fluff or oil have collected on the hook or needle bar</li><li>3.Poor quality oil has been used</li><li>4.The needle is damaged</li></ol>                                                                                                   | <ol style="list-style-type: none"><li>1.Lubricate as described</li><li>2.Clean the hook and feed dog as described</li><li>3.Only use good quality sewing machine oil</li><li>4.Replace the needle</li></ol>                                                                                                       |
| The machine jams             | Thread is caught in the hook                                                                                                                                                                                                                                                                                                | Remove the upper thread and bobbin case, turn the handwheel backwards and forwards by hand and remove the thread remnants. Lubricate as described.                                                                                                                                                                |

