

SINGER
MSP7

PART LIST OF "MAGIC STEAM PRESS"

MSP7

(120V / 220V / 240V)

** REFER TO FIGURE 1a **

ITEM	DESIGNATION	PART NUMBER	QTY
1	LOCK KNOB	284,048 -000	1
2	WINDOW PLATE	284,079 -000	1
3	WATER TANK CAP	284,035 -000	1
4	STEAM ADJUSTING KNOB	284,015 -000	1
5	ON/OFF SWITCH (120V)	284,084 -000	1
	ON/OFF SWITCH (240V)	284,084 -010	1
6	TEMPERATURE KNOB	284,049 -000	1
7	CONTROL LAMP (120V)	284,083 -000	1
	CONTROL LAMP (240V)	284,083 -010	1
8	BURST LEVER	284,024 -000	1
9	BED	284,055 -000	1
10	PRESS ARM	284,054 -000	1
11	SOLEPLATE WITH HOLES	284,001 -000	1
12	IRONING BOARD ASSEMBLY	284,928 -000	1
13	PRESSING HANDLE	284,045 -000	1

** REFER TO FIGURE 1b **

ITEM	DESIGNATION	PART NUMBER	QTY
1	FORMED IRONING CLOTH	284,137 -000	1
2	FORMED IRONING BACK-UP	284,138 -000	1
3	STUFFING FOR IDEM	284,139 -000	1
4	AL-FOIL	284,140 -000	1
5	PALTE STANDARD	284,141 -000	1
6	VINYL COVERING	284,074 -000	1
7	IRONING BOARD ASSEMBLY	284,928 -000	1 SET
8	SPRAYER HEAD	284,155 -000	1
9	SPRAYER BOTTOM	284,156 -000	1
10	SPRAYER BOTTLE ASSEMBLY	284,913 -000	1
11	DESICCATOR BAG	284,221 -000	1
12	SCREW	284,186 -000	4
13	SMOOTHING PILLOW	284,142 -000	1
14	INSTRUCTION BOOK (ENGLISH/FRENCH/SPANISH)	284,214 -000	1
	INSTRUCTION BOOK (DUTCH/GERMANY/FRENCH)	284,214 -010	1
	INSTRUCTION BOOK (DANISH/SWEDISH/FRENCH)	284,214 -020	1
	INSTRUCTION BOOK (ENGLISH/TURKISH/FRENCH)	284,214 -030	1
15	FILLER BEAKER	284,056 -000	1

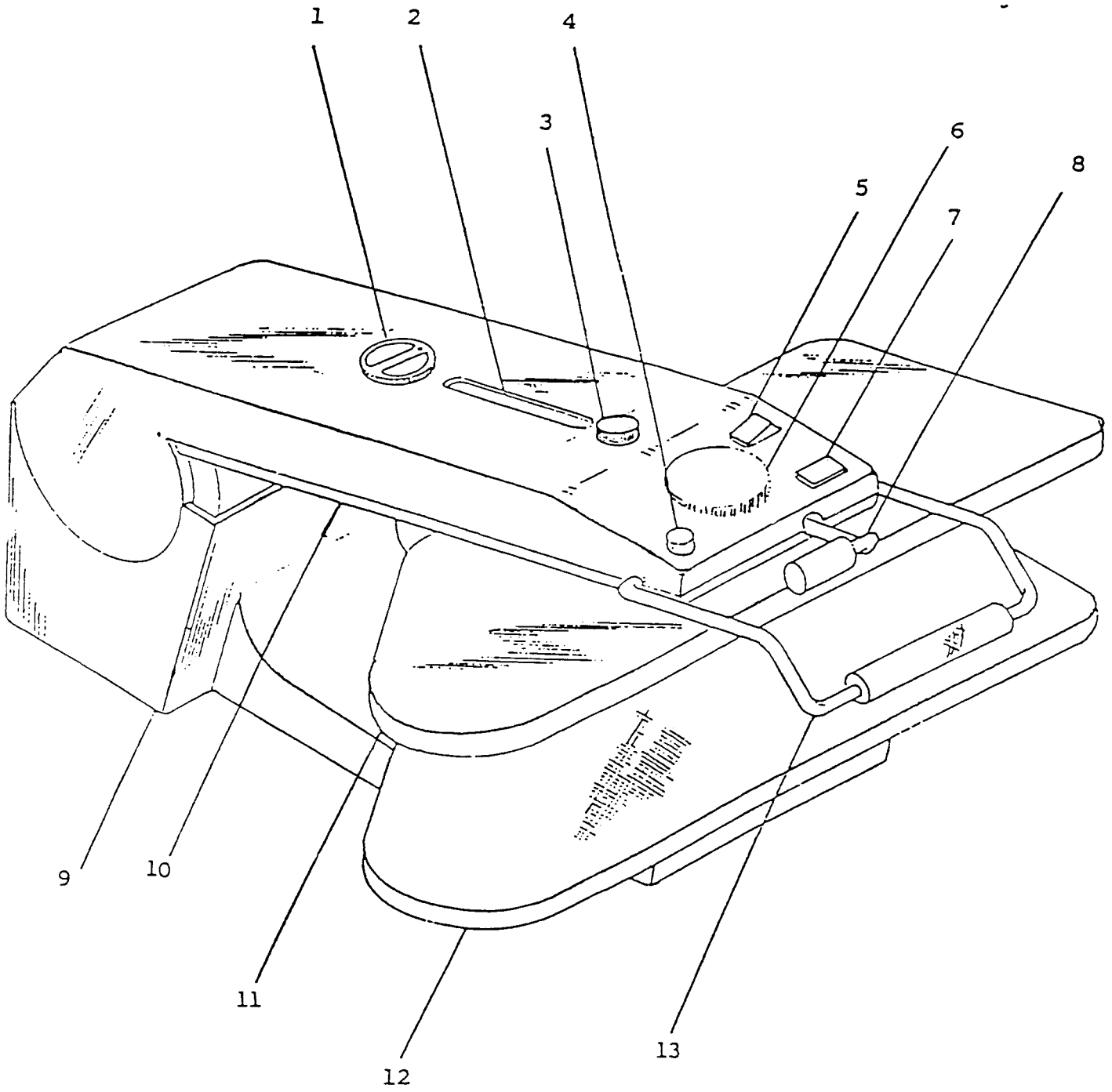


FIG. 1a

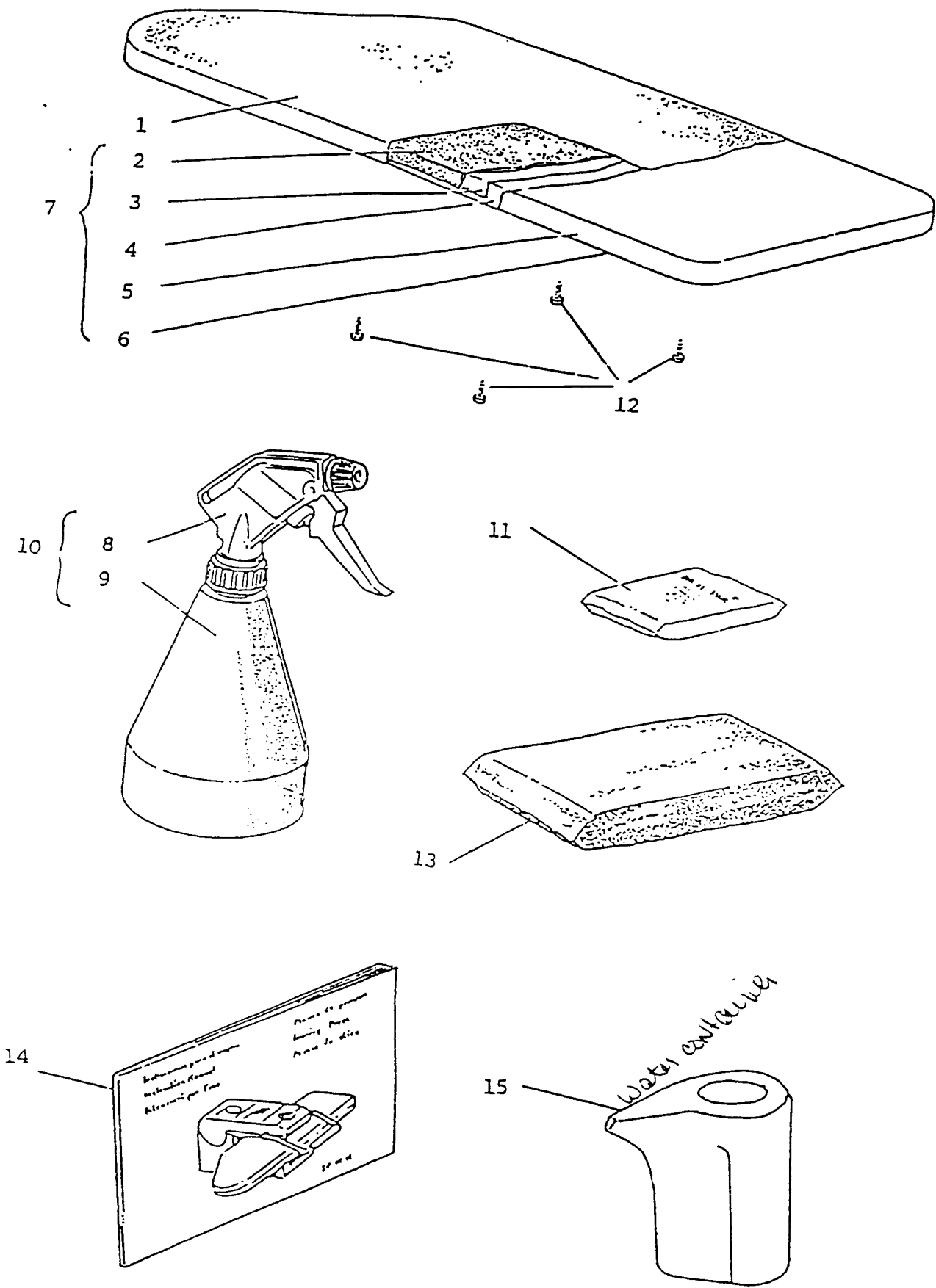


FIG 1b

** REFER TO FIGURE 3 **

ITEM	DESIGNATION	PART NUMBER	QTY
1	LOCK KNOB	284,048 -000	1
2	TEMPERATURE KNOB	284,049 -000	1
3	ON/OFF SWITCH (120V)	284,084 -000	1
	ON/OFF SWITCH (240V)	284,084 -010	1
4	CONTROL LAMP (120V)	284,083 -000	1
	CONTROL LAMP (240V)	284,083 -010	1
5	TOP COVER	284,067 -000	1
6	GRAPHIC LABEL	284,008 -000	1
7	PUSH WASHER (SMALL)	284,193 -000	1
8	INSERT	284,086 -000	2
9	PUSH WASHER (BIG)	284,194 -000	1
10	ARM COVER ASSEMBLY	284,923 -000	1 SET
11	LEAD WIRE ASSEMBLY (120V)	284,924 -000	1
	LEAD WIRE ASSEMBLY (240V)	284,924 -010	1
12	LEAD WIRE ASSEMBLY (120V)	284,925 -000	1
	LEAD WIRE ASSEMBLY (240V)	284,925 -010	1
13	INSULATING TUBE	284,157 -000	4
14	LEAD WIRE ASSEMBLY (120V)	284,926 -000	1
	LEAD WIRE ASSEMBLY (240V)	284,926 -010	1
15	LEAD WIRE ASSEMBLY (120V)	284,927 -000	1
	LEAD WIRE ASSEMBLY (240V)	284,927 -010	1

Heating element

710 878-400

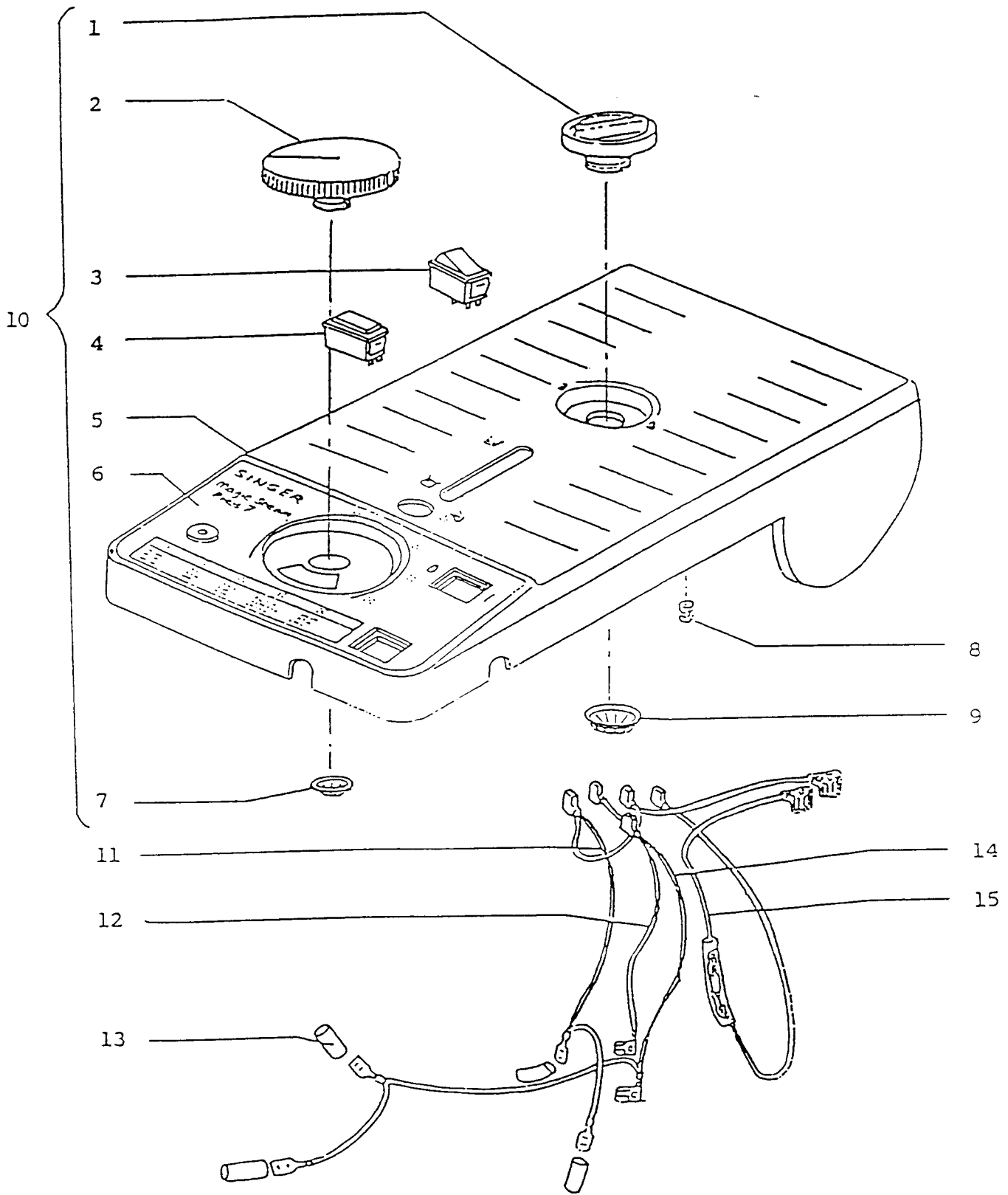


FIG 3

** REFER TO FIGURE 4 **

ITEM	DESIGNATION	PART NUMBER	QTY
1	SHAFT (LONG)	284,116 -000	1
2	WASHER	284,203 -000	2
3,21	FLANGE NUT (WITH SERRATIONS)	284,152 -000	2
4	SCREW	284,178 -000	1
5,34	M3 RETAINING WASHER	284,195 -000	3
6	EARTH WIRE ASSEMBLY (120V)	284,906 -000	1
	EARTH WIRE ASSEMBLY (240V)	284,906 -010	1
7	BED / SOCKET	284,055 -000	1
8	SELF ADHESIVE BUFFER	284,117 -000	1
9	SELF ADHESIVE BUFFER	284,119 -000	2
10	RUBBER FOOT	284,228 -000	2
11	CABLE PASS	284,121 -000	2
12,22,28,33	SCREW	284,183 -000	4
13,23	M4 RETAINING WASHER	284,196 -000	2
14	STRAIN RELIEF ASSEMBLY	284,907 -000	2
15	SCREW	284,179 -000	2
16,35	SCREW	284,177 -000	4
17	BASIC SHEET	284,124 -000	1
18	RATING LABEL (STEAM 120V)	284,063 -000	1
	RATING LABEL (STEAM 240V)	284,063 -010	1
	RATING LABEL (STEAM 220V)	284,063 -020	1
19	CABLE SET (U.S.A.)	284,908 -000	1
	CABLE SET (AUSTRALIA)	284,908 -010	1
	CABLE SET (EUROPE)	284,908 -020	1
20	ACTIVATING CAM PIVOT SCREW	284,010 -000	1
24	ACTIVATING CAM	284,009 -000	1
25	REAR FOOT	284,051 -000	2
26	SCREW	284,188 -000	2
27	M8 RETAINING WASHER	284,202 -000	2
29,32	WASHER	284,197 -000	2
30,31	CABLE CALMAPING COLLAR	284,120 -000	3

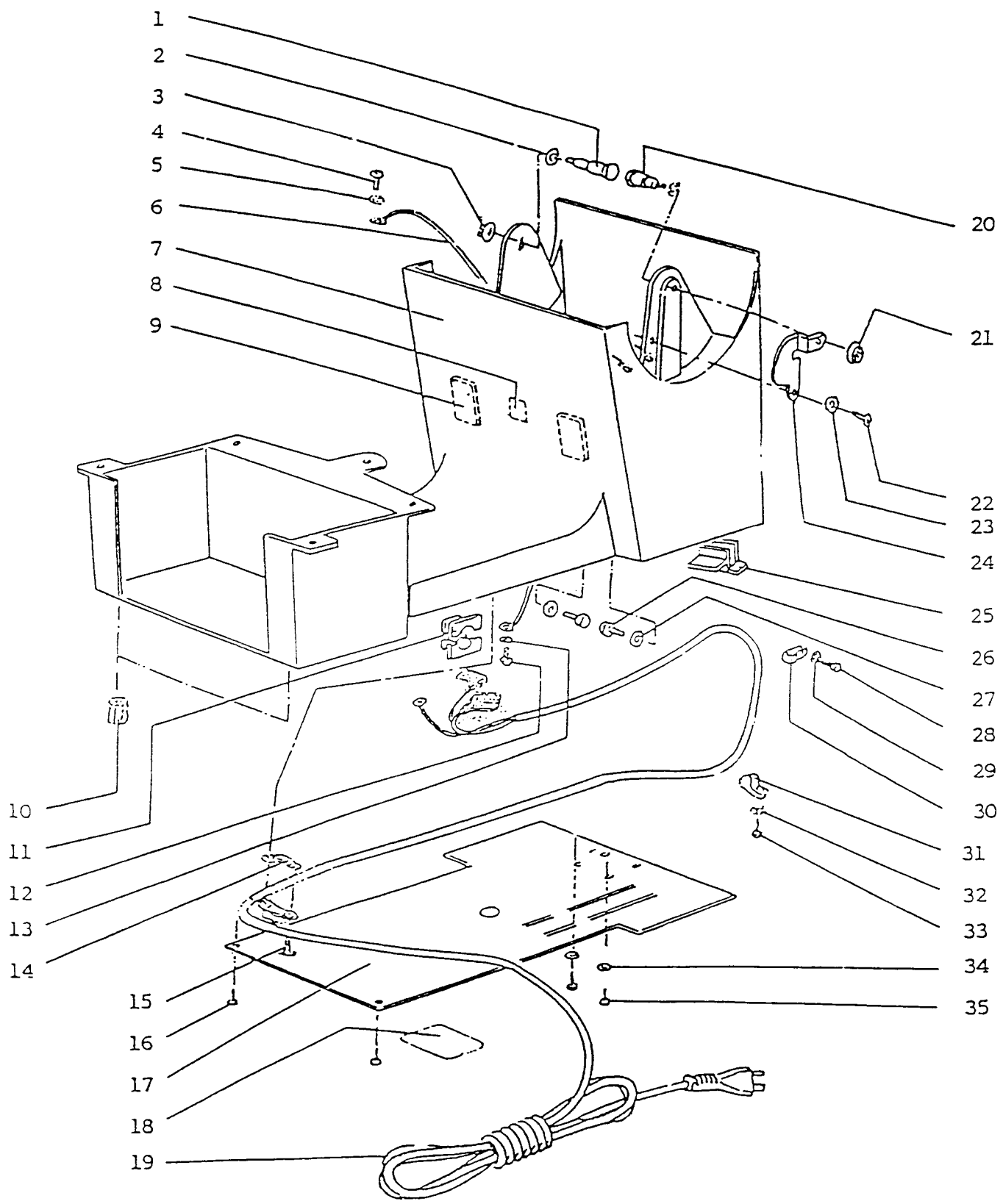


FIG. 4

** REFER TO FIGURE 5a **

ITEM	DESIGNATION	PART NUMBER	QTY
1	SCREW	284,190 -000	1
2,62	M8 RETAINING WASHER	284,200 -000	2
3	SAFETY STOP PLATE	284,065 -000	1
4,61	ANCHOR NUT	284,099 -000	2
5,60	SUPPORT PRESSURE SHEET	284,100 -000	2
6,41	SPECIAL SCREW	284,909 -000	3
7,40	HEXAGONAL NUT	284,101 -000	3
8	SHAFT	284,103 -000	1
9	FORK LEVER	284,104 -000	1
10	SCREW	284,184 -000	1
11,16,25,31	M4 RETAINING WASHER	284,196 -000	7
12	COLLET	284,096 -000	1
13	WAVE WASHER	284,204 -000	1
14	SAFETY LEVER	284,097 -000	1
15,24,37	SCREW	284,183 -000	5
17,26	HANDLE CLAMPING PLATE	284,105 -000	2
18	M5 E-RING	284,106 -000	1
19	HANDLE	284,045 -000	1
20	HANDLE COVER	284,053 -000	2
21	SCREW	284,178 -000	2
22	M3 RETAINING WASHER	284,195 -000	2
23	M/C SCREW	284,180 -000	1
27	PRESS CLOSING CONNECTING ROD	284,107 -000	1
28	PIVOT PIN (FRONT)	284,108 -000	1
29	RETAINER RING	284,046 -000	1
30	SCREW	284,181 -000	2
32	WASHER	284,169 -000	2
33	AUTO SHUT OFF (120V)	284,910 -000	1
	AUTO SHUT OFF (240V)	284,910 -010	1
34	CLOSING LEVER	284,147 -000	1
35	CLOSING LEVER BUSHING	284,148 -000	1
36	PIVOT PIN (REAR)	284,109 -000	1
38	WASHER	284,197 -000	1
39	CABLE CLAMPING COLLAR	284,120 -000	1
42	SINTERED BEARING	284,143 -000	4
43	SINTERED BEARING COVER PLATE	284,144 -000	4
44	ACTIVATING LEVER FOLLOWER SCREW	284,014 -000	1
45	ACTIVATING LEVER PIVOT SCREW	284,012 -000	1
46	ACTIVATING LEVER FOLLOWER	284,013 -000	1
47	ACTIVATING LEVER	284,011 -000	1
48	ACTIVATING LEVER PIVOT SPACER	284,051 -000	1
49,56	FLANGE NUT (WITH SERRATIONS)	284,152 -000	2
50	WASHER	284,203 -000	2
51	SHAFT (SHORT)	284,111 -000	2
52	PRESS ARM	284,054 -000	1
53	MICA SHIELD (RIGHT)	284,072 -000	1
54	SCREW	284,185 -000	2
55	RUBBER BUFFER	284,114 -000	1
57	SPRING INSERT	284,145 -000	2
58	TENSION SPRING	284,112 -000	1
59	ANCHOR BRACKET	284,113 -000	1
63	SCREW	284,189 -000	1

** REFER TO FIGURE 5b **

ITEM	DESIGNATION	PART NUMBER	QTY
1	E-RING	284,027 -000	1
2	WASHER	284,197 -000	1
3	STEAM ADJUSTING KNOB ASSEMBLY	284,915 -000	1
4	CLOSING LEVER ASSEMBLY	284,916 -000	1
5	ROCKER PIVOT SCREW	284,022 -000	1
6	ROCKER LINK	284,020 -000	1
7	CONTROL LINK ADJUSTING NUT	284,043 -000	1
8	HEXAGONAL NUT	284,069 -000	1
9	ROCKER LINK RETURN SPRING	284,021 -000	1
10	PUSH WASHER	284,192 -000	1
11	CONTROL LINK ASSEMBLY	284,917 -000	1
12	BURST HANDLE ASSEMBLY	284,918 -000	1
13	STEAM ADJUSTING CAM SHAFT ASSEMBLY	284,919 -000	1
14	CLAMP PLATE	284,170 -000	1
15	SCREW	284,187 -000	1
16	SCREW	284,183 -000	6
17	HANDLE CLAMPING PLATE	284,105 -000	2
18	PUSH WASHER	284,191 -000	1
19	M4 RETAINING WASHER	284,196 -000	6
20	STEAM ADJUSTING CAM	284,017 -000	1

** REFER TO FIGURE 5c **

ITEM	DESIGNATION	PART NUMBER	QTY
1	WATER TANK CAP ASSEMBLY	284,920 -000	1
2	PUMP HOUSING & WATER TANK ASSEMBLY	284,921 -000	1
3	SCREW	284,184 -000	3
4	M4 RETAINING WASHER	284,196 -000	3
5	WASHER	284,197 -000	3
6,8	LOWER TUBE	284,042 -000	2
7	TEE FITTING	284,066 -000	1
9	PISTON	284,028 -000	1
10	PISTON SEAL	284,029 -000	1
11	GUIDE PIN	284,080 -000	1
12	PISTON RETURN SPRING	284,030 -000	1
13	UPPER TUBE	284,041 -000	1
14	DRAIN SCREW	284,040 -000	1

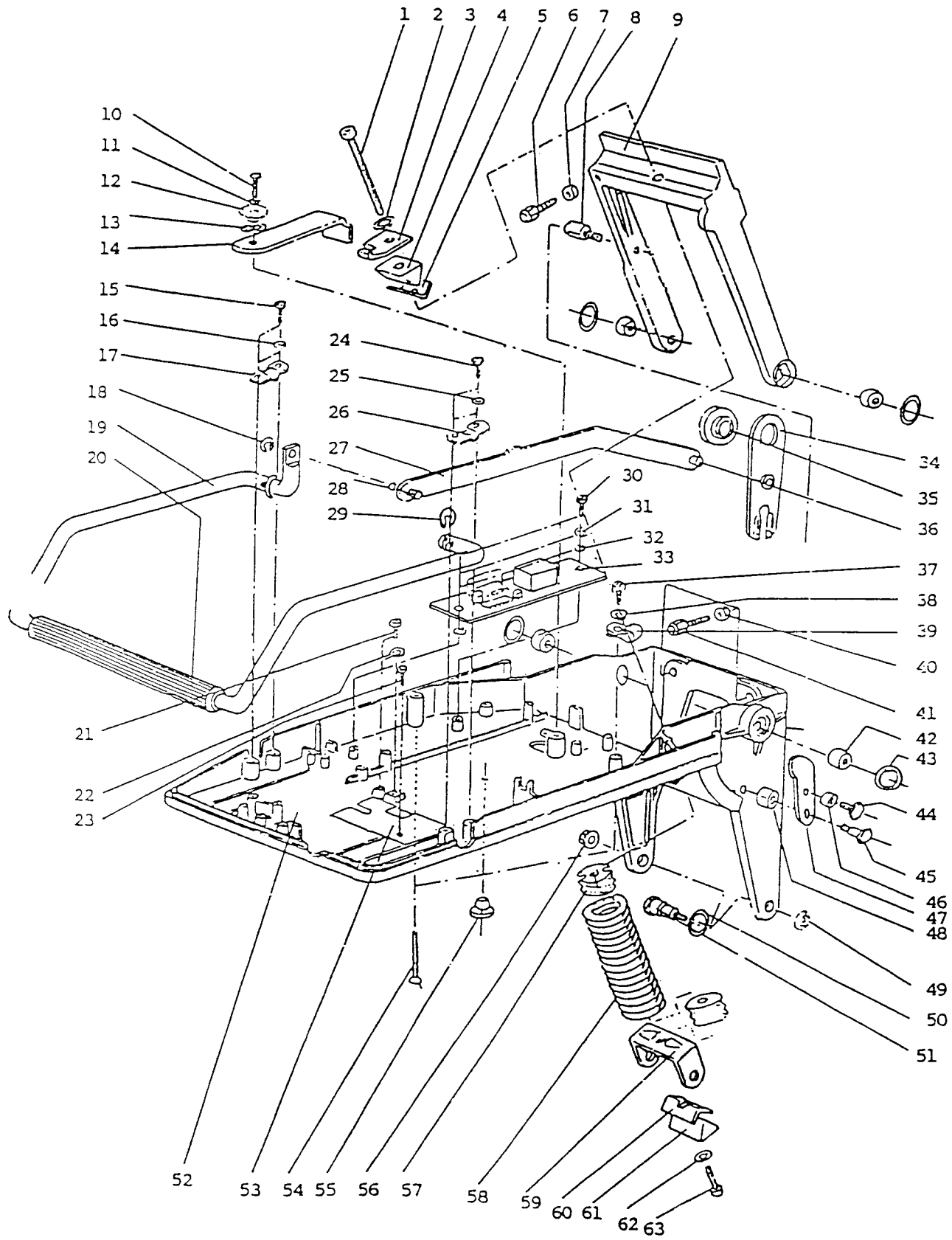


FIG 5a

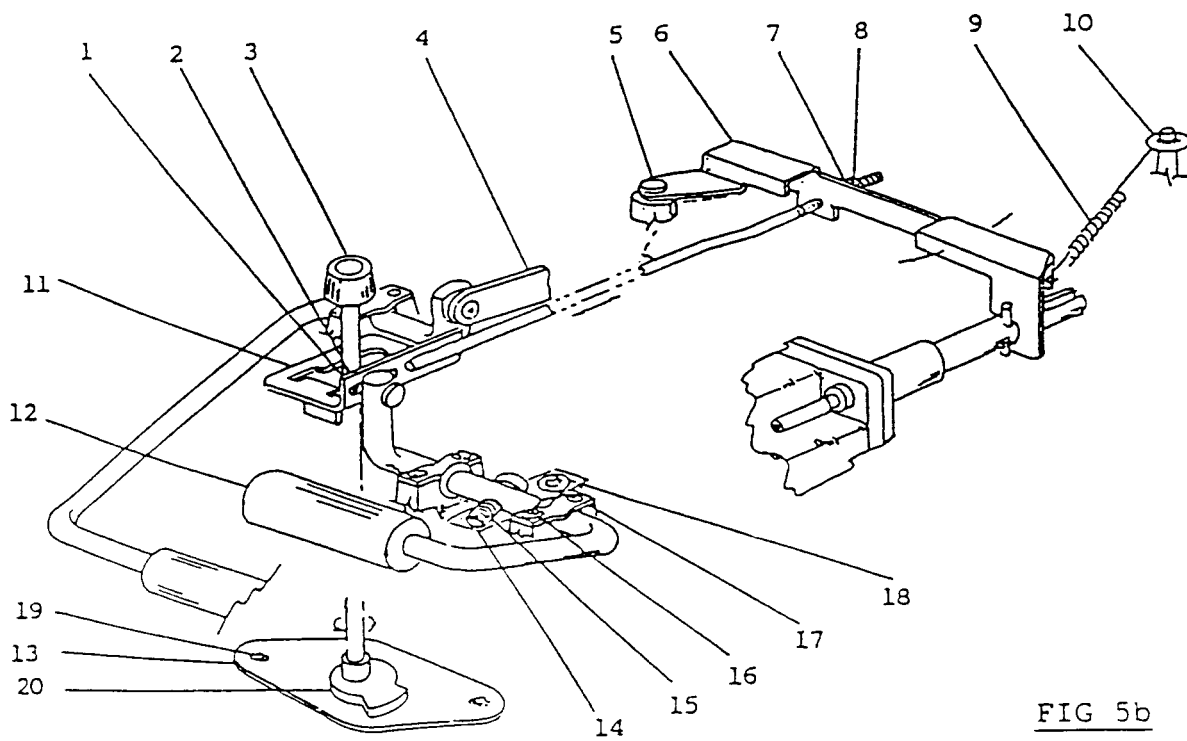


FIG 5b

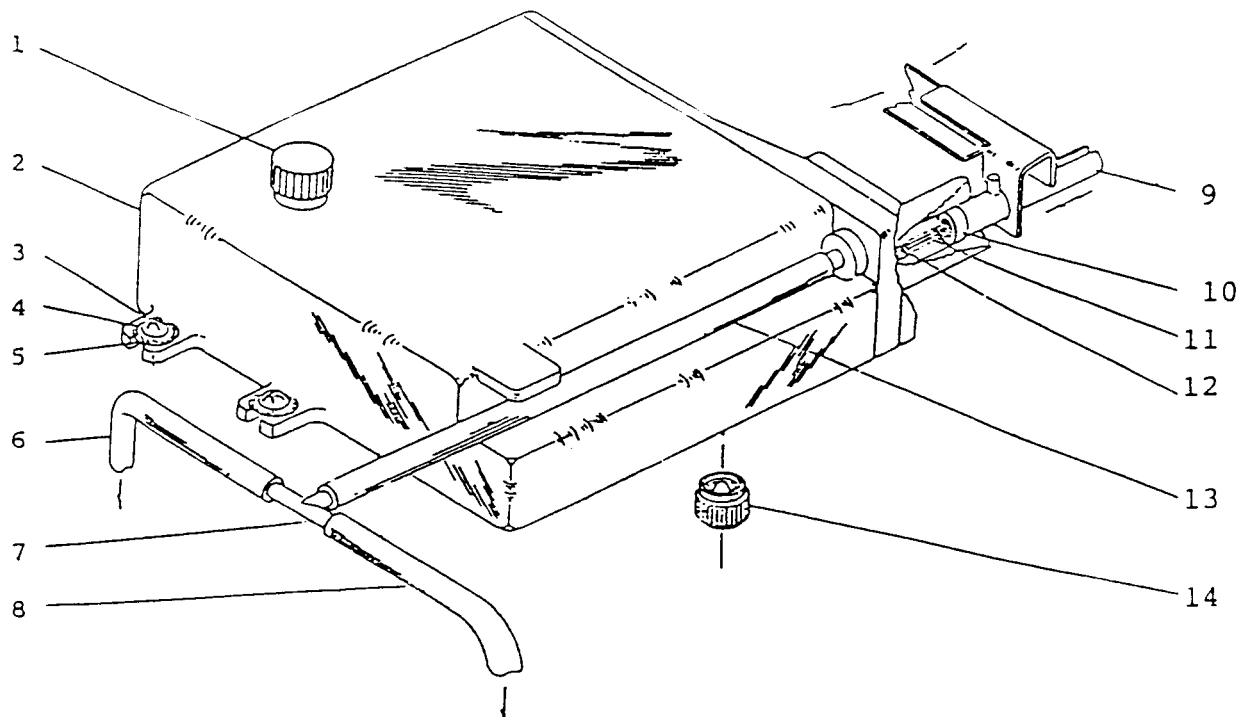


FIG 5c

** REFER TO FIGURE 6ab **

ITEM	DESIGNATION	PART NUMBER	QTY
1	HOSE CLAMP	284,077 -000	1
2,21	COVER CLAMPING PLATE	284,127 -000	4
3,22	PLATE ARM LOCK	284,128 -000	4
4	THERMOSTAT HEAD	284,134 -000	1
5,29	M4 NUT	284,136 -000	4
6	FLEXIBLE TREE	284,135 -000	1
7,25,32	M6 NUT	284,131 -000	21
8,26	M6 FLANGE NUT (WITH SERRATIONS)	284,154 -000	4
9,27	FIXING BRACKET	284,132 -000	2
10	THERMOSTAT (120V)	284,175 -000	1
	THERMOSTAT (240V)	284,175 -010	1
11,28	WASHER	284,130 -000	4
12	ALUMINIUM WASHER	284,199 -000	1
13	M4 STUD SCREW	284,133 -000	2
14,35	WELD STUD	284,004 -000	21
15	HEATER (LONG)	284,173 -000	1
16	LUG	284,164 -000	4
17	FIXING SHAFT	284,126 -000	2
18	SECURITY SPRING	284,125 -000	2
19	IRONING PLATE COVER	284,057 -000	1
20	REFLECTOR	284,007 -000	1
23,31	M4 RETAINING WASHER	284,196 -000	2
24	BRACKET	284,167 -000	1
30	EARTH ASSEMBLY (120V)	284,922 -000	1 SET
	EARTH ASSEMBLY (240V)	284,922 -010	1 SET
33	HEATING ELEMENT CLAMP	284,002 -000	7
34	HEATER SPACER	284,003 -000	14
36	SOLEPLATE WITH HOLES	284,001 -000	1
37	HEATER (SHORT)	284,174 -000	1
38	SPRING WASHER	284,205 -000	10
39	WATER TUBE FITTING	284,047 -000	2
40	WASHER	284,198 -000	2
41	MANIFOLD COVER	284,006 -000	2
42	STEAM MANIFOLD PLATE	284,005 -000	2

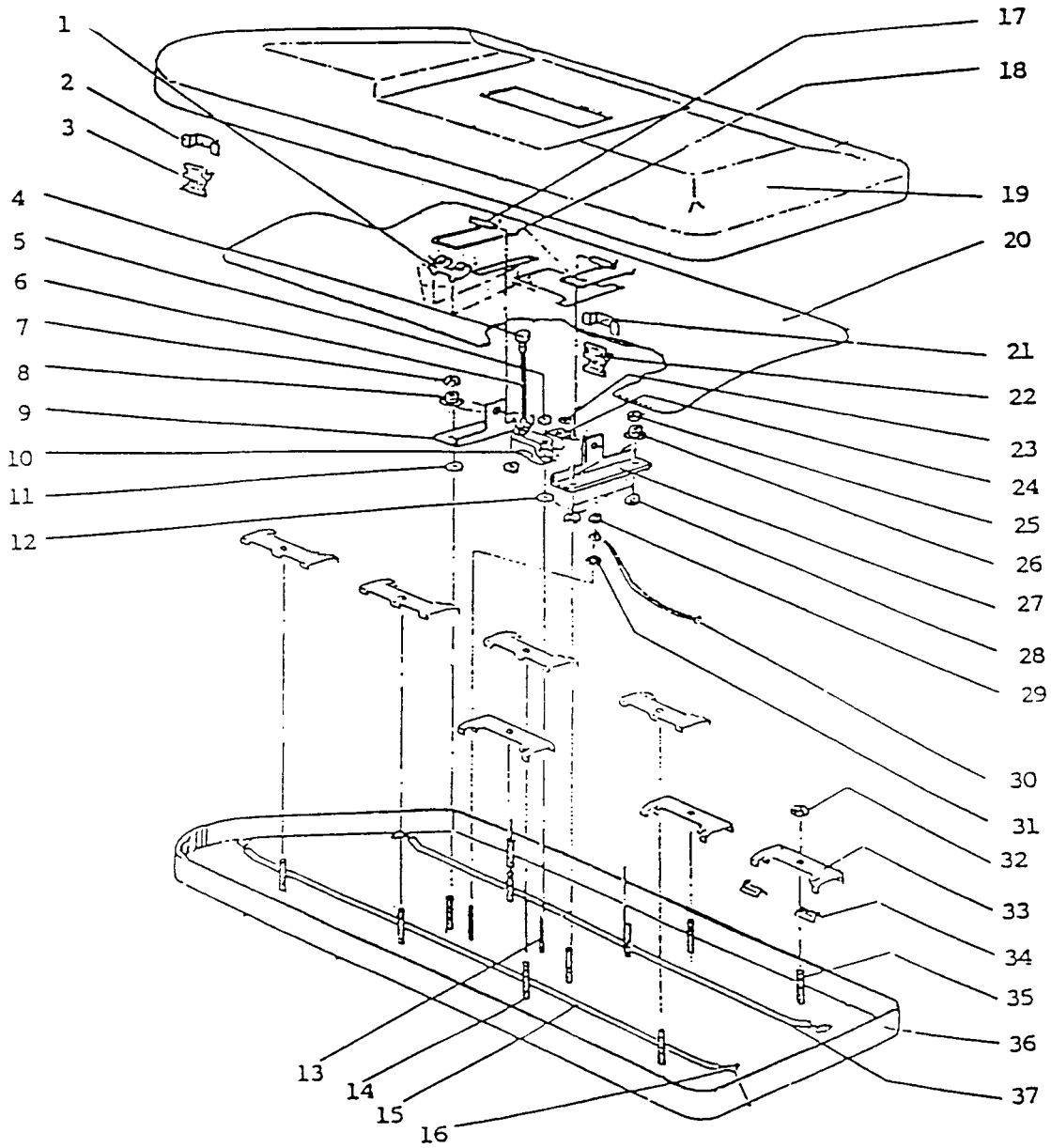


FIG 6a

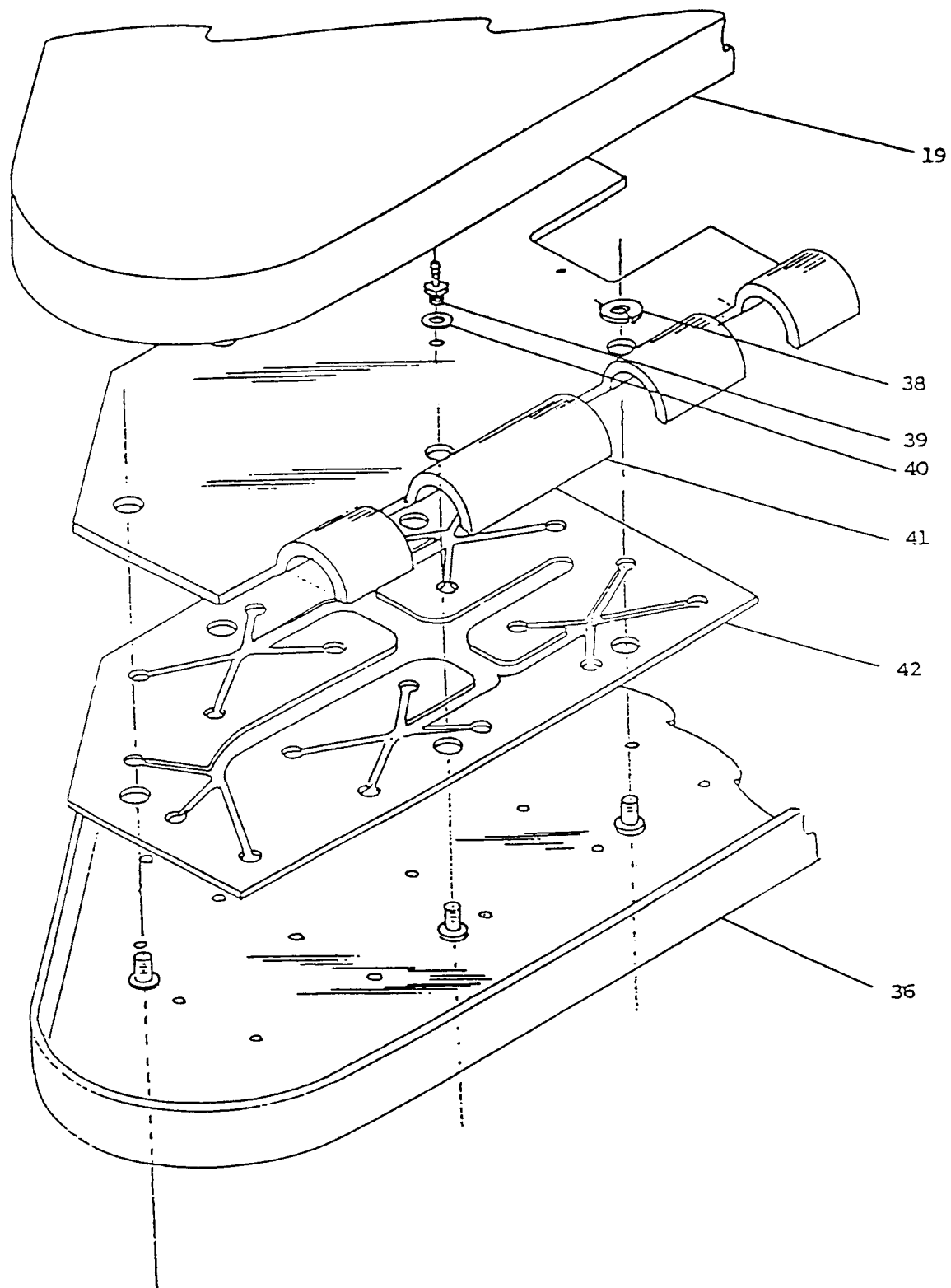
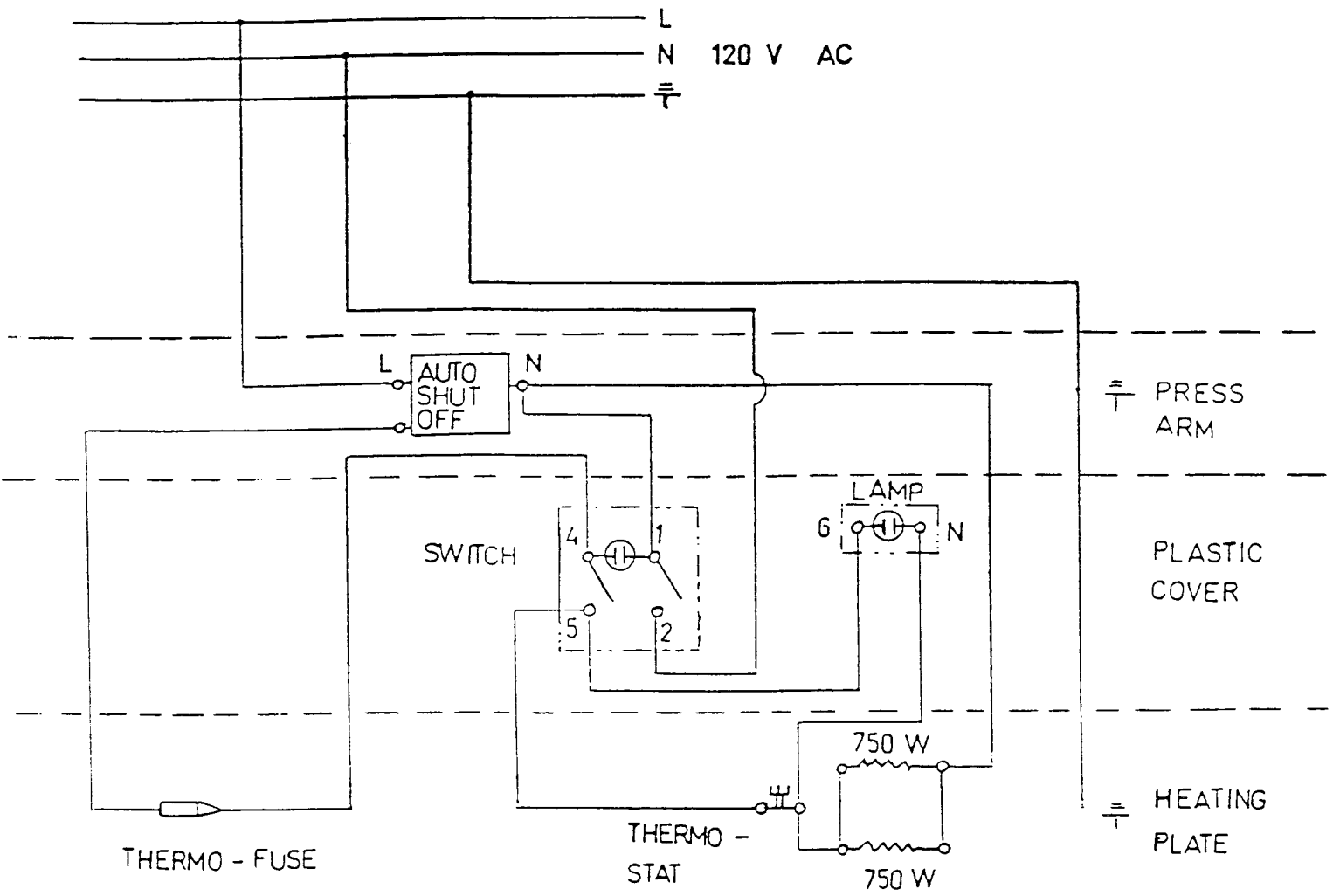
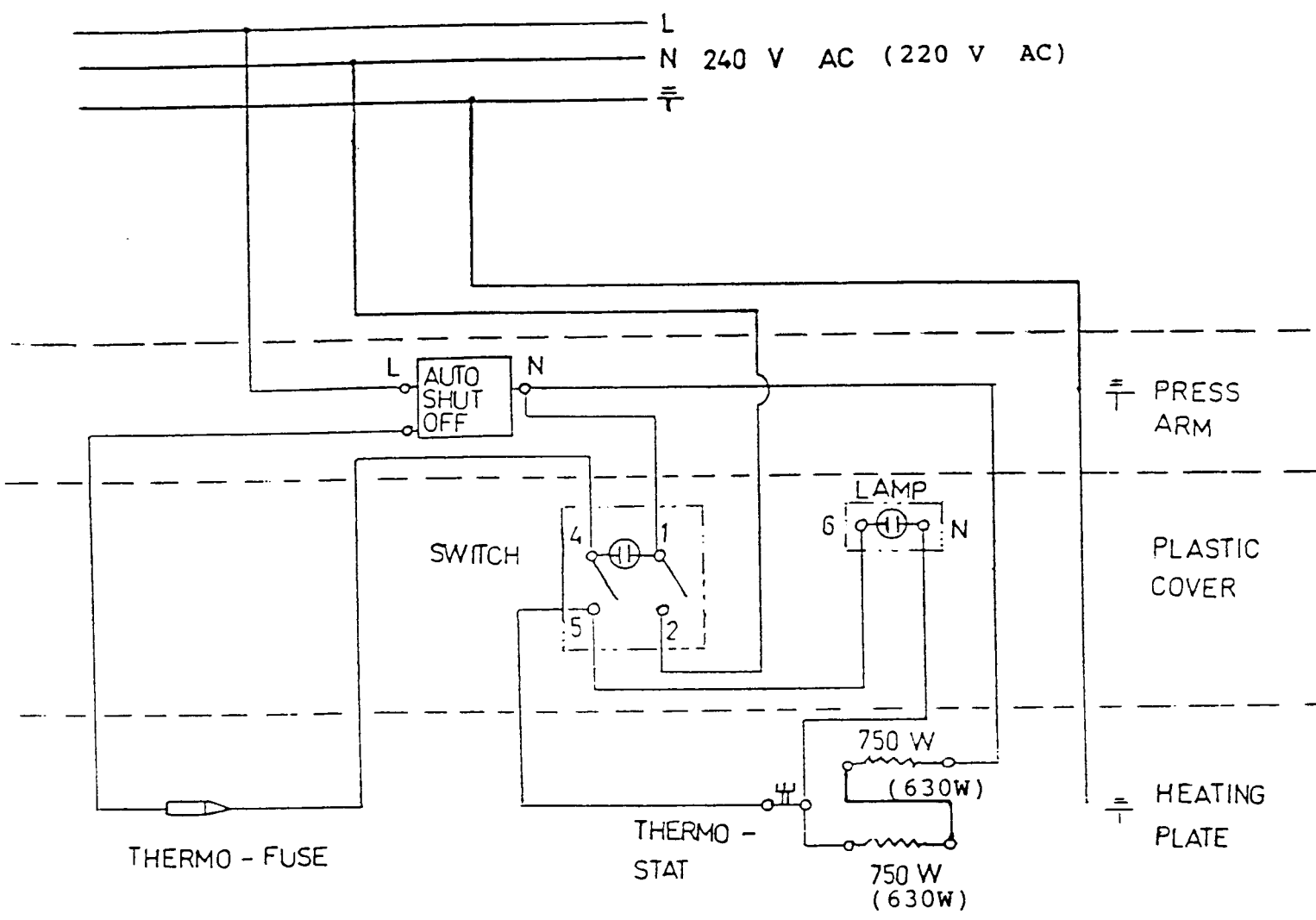


FIG 6b



ELECTRICAL DIAG. — STEAM PRESS MSP7

FIG 7

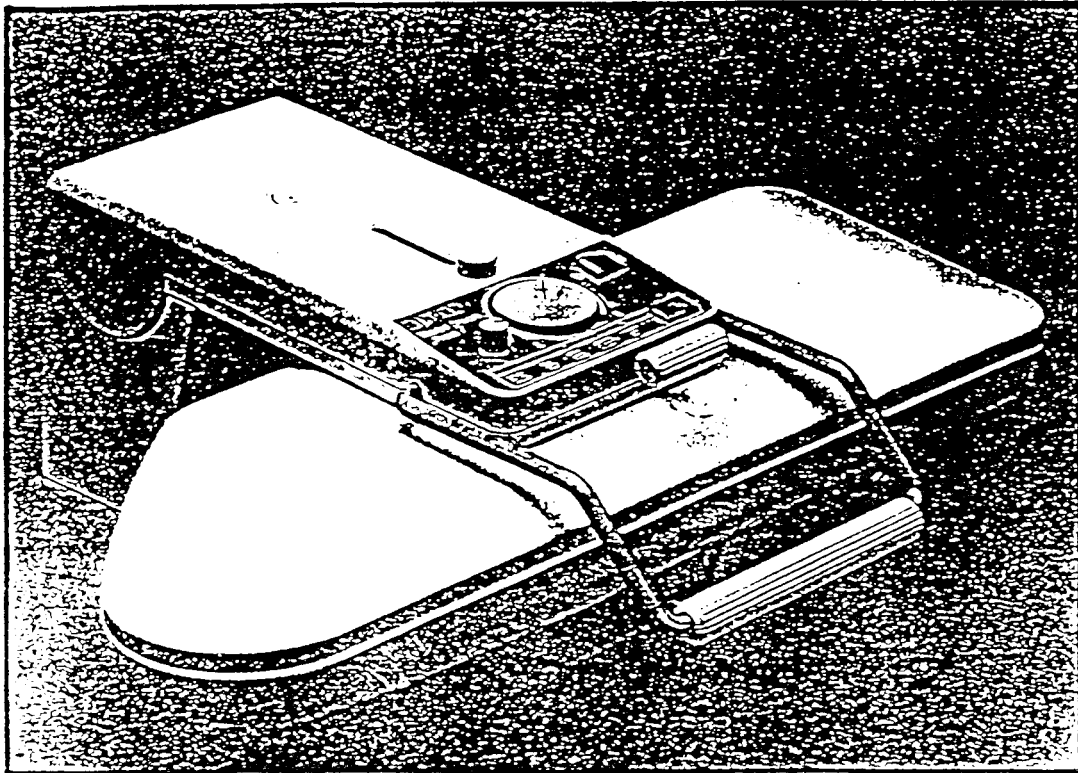


ELECTRICAL DIAG. — STEAM PRESS MSP7

SERVICE MANUAL

MAGIC STEAM PRESS™ 7

MODEL MSP7



*A trademark of the Singer Company

**** CONTENT ****

- 1 GETTING TO KNOW YOUR MACHINE - PRINCIPAL PARTS
- 2 PRELIMINARY STEPS
- 3 HOW TO REMOVE THE UPPER COVER
- 4 HOW TO CHANGE THE KNOB & SWITCH
- 5 HOW TO CHANGE THE ELECTRICAL CABLE
- 6 HOW TO REMOVE THE SOLEPLATE ASSEMBLY
- 7 HOW TO CHANGE THE THERMOSTAT UNIT
- 8 HOW TO CHANGE A HEATING ELEMENT
- 9 HOW TO ADJUST THE PRESS OPENING
- 10 TROUBLE-SHOOTING THE ELECTRICAL CIRCUIT

This manual must be used in conjunction with the part list for ironing press MSP7.

This manual is designed for use by trained and qualified service persons.

The Singer Company will not be responsible for any parts requiring replacement owing to natural wear, abuse or negligence of the user or in the event the machine is serviced by other than a trained and qualified service person, or if parts are substituted which do not meet applicable specifications.

1 GETTING TO KNOW YOUR MACHINE - PRINCIPAL PARTS

(Fig 1a, b)

Refer to Fig. 1a

- 1.1 LOCKING KNOB. Lower the Pressing Handle to its lowest position and turn the Locking Knob to the locked position to hold the Pressing Plate and Ironing Board together. Use Locked Position when moving or storing the Press. (Item 1)
- 1.2 WATER LEVEL WINDOW. Lift Pressing Plate to raised position to view water level in the Tank. (Item 2)
- 1.3 WATER TANK FILL HOLE AND CAP. Remove cap to fill water tank. (Item 3)
- 1.4 STEAM CONTROL. Turn dial to set steam amount - from no steam through maximum. (Item 4)
- 1.5 ON/OFF SWITCH. Main switch with red signal lamp. (Item 5)
- 1.6 TEMPERATURE CONTROL DIAL. Turn to set the Press's temperature for your fabric. (Item 6)
- 1.7 READY LIGHT. The orange light remains lit until the press reaches the selected temperature. (Item 7)
- 1.8 BURST OF STEAM HANDLE. Produces an extra burst of steam during steam pressing. May also be used during dry pressing. (Item 8)
- 1.9 BASE WITH RUBBER FEET. Stable, skid and tilt resistant due to wide base and rubber feet. (Item 9)
- 1.10 DRAIN KNOB. Allows for easy draining of the Water Tank. (Item 10)

- 1.11 PRESSING PLATE. Movable temperature controlled surface for heating and pressing fabric. (Item 11)
- 1.12 IRONING BOARD. A chamfered board, with felt and cotton covering plus aluminium vapour trap, that holds your fabric during pressing. (Item 12)
- 1.13 PRESSING HANDLE. Use for raising and lowering the pressing plate. When the Pressing Plate and Ironing Board are locked together with the Locking Knob, use the Handle to carry the Press. (Item 13)

Refer to Fig. 1b

- 1.14 PRESSING CUSHION. Fabric covered pad used for pressing gathered or contoured areas such as sleeves, darts and yokes. (Item 13)
- 1.15 SPRAY BOTTLE. Plastic water bottle for dampening fabric before pressing. (Item 10)
- 1.16 WATER CONTAINER. Use for filling and emptying the Water Tank. (Item 15)
- 1.17 IRONING BOARD COVER. Removable and washable for extended life. (Item 1)
- 1.18 INSTRUCTION BOOK. Instruction guide, which is written in English, Italian and Spanish, for the users. (Item 14)
- 1.19 DESICCATOR BAG. Pack of dehydrating agent keeping the Press dry. (Item 11)

2 PRELIMINARY STEPS (Fig 2)

- 2.1 Position the press over a table and strong plane, i.e. a table or a piece of furniture specially designed.
- 2.2 Unplug the cord from the electrical socket.
- 2.3 Before handling the cover, be sure the safety knob is in closed position corresponding to symbol "shut-down lock".
- 2.4 Put a loop of rope at each end of the soleplate and ironing board to prevent accidental opening of the press.

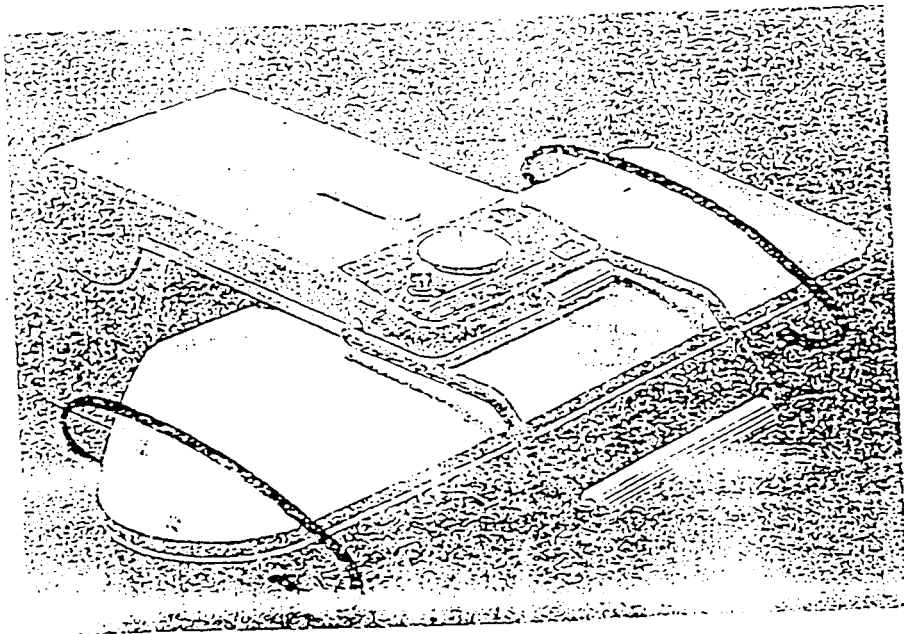


Fig. 2

3 HOW TO REMOVE THE UPPER COVER (Fig 3)

- 3.1 To remove the upper cover, first remove the Steam Control and the Water Tank Cap at the top, unscrew the two screws (Item 29, Fig 5) located under the press arm.
- 3.2 Lift the cover, at the same time holding both hands on the upper section, and on the high sides of the cover.
- 3.3 Holding up the cover, detach the connection terminals from the switch and lamp until the cover is completely freed.

4 HOW TO CHANGE THE KNOB & SWITCH (Fig 3)

- 4.1 Separate the graphic label (Item 6) from the cover by peeling it off from the edge.
- 4.2 To change the ON/OFF switch (Item 4) or the control lamp (Item 3), press from outside their tabs and push them from bottom to top to extract them.
- 4.3 By removing the push washers (Item 6 & 7), the temperature control knob (Item 1) and the locking knob (Item 2) can be removed from holes where they are retained respectively.

5 HOW TO CHANGE THE ELECTRICAL CABLE (Fig 4)

- 5.1 If the cable with plug is defective, it is necessary to change the power cord.
- 5.2 Put the press in vertical position, loosen the four screws (Item 15 & 19) and remove the base plate (Item 16).
- 5.3 Free the power cable from the section between the two strain-relief assemblies (Item 14), the earth connection and the other end by loosening corresponding screws and disconnecting electrical connections.

6 HOW TO REMOVE THE SOLEPLATE ASSEMBLY (Fig 5a, b, c)

- 6.1 Rest the press over a flat strong base.
- 6.2 Tie a rope loop at each end of the soleplate and the ironing board, to avoid accidental opening of the press.
- 6.3 Remove upper cover as described on Page 5. Be absolutely sure that safety lever (Item 14) is hooked to the stop plate (Item 7) fixed on the fork lever.
- 6.4 Disconnect electrical wires and grounding wires protruding from the plate and connected to the terminal board.
- 6.5 Disconnect the plastic tube which carries water to the soleplate from the tank.
- 6.6 Unscrew Item 23 & 25 to remove mica shields (Item 27 & 28).
- 6.7 Extract the two security springs (Item 2, Fig 6) located in the gap of the internal side of the press arm.
- 6.8 Lift the press arm very carefully and slowly; at this point the soleplate assembly is completely free from arm.

7 HOW TO CHANGE THE THERMOSTAT UNIT (Fig 6a)

- 7.1 To separate the cover from the soleplate assembly, use a screw-driver and apply leverage on edge of plate base to remove cover.
- 7.2 Inspect the thermostat wire by turning the head of hexagonal screw (Item 33) in the direction of temperature increase; until click is heard.
- 7.3 To free the thermostat, disconnect the connection cables and unscrew nut (Item 32).

8 HOW TO CHANGE A HEATING ELEMENT (Fig 6a, b)

- 8.1 To separate the cover from the soleplate assembly, use a screw-driver and apply leverage on edge of plate base, to remove cover.
- 8.2 Lift up the reflector.
- 8.3 Disconnect electrical connection of the heating element.
- 8.4 Unscrew the nuts (Item 16) and remove the corresponding heating element clamps (Item 17), which must be removed as well as the heater spacers.
- 8.5 Unscrew other nuts to remove the corresponding manifold cover.
- 8.6 At this point the heating element is accessible and the defective ones can be replaced.

- 9.1 If the opening of press, after some time of operation, requires excessive pressure to close, that means that the fulcrum point position of the pressure spring is out of calibration. The procedure for adjustment is indicated below.
- 9.2 Tie the ironing board and the soleplate with two rope loops, located at both ends to avoid accidental opening of the press.
- 9.3 Put the press in vertical position and disassemble the basic sheet as described on Page 7.
- 9.4 Loosen both hexagonal screws (Item 28), without removing them.
- 9.5 Place the press in horizontal position.
- 9.6 Move the handle up and down until fulcrum is free.
- 9.7 Move the handle to a central position till the point of stable equilibrium is attained.
- 9.8 Put press in vertical position and screw-in both screws evenly.
- 9.9 At this point the handle could be moved in both directions with even pressure.

10 TROUBLE-SHOOTING THE ELECTRICAL CIRCUIT

Trouble Type	Cause	What To Do
1) Orange control lamp never comes on although the plate heats to the required temperature	Bulb is burned	Change the bulb as described on Page 8
2) Control lamp is on and heating plate is cold	Thermostat out of calibration	Change the thermostat
3) Heating plate steadily becomes cold	Heating element is failed	Change heating element
4) Press will continue operating after lowering for 35sec, or it has not been used for 20 mins	Auto shut-off circuit is failed	Change the Auto shut-off circuit