

# STR-DE845/DE945

## SERVICE MANUAL

US Model

Canadian Model

STR-DE845/DE945

E Model

Australian Model

Chinese Model

PX Model

STR-DE845



Photo: STR-DE945

Manufactured under license from Dolby laboratories. "Dolby", "AC-3", "Pro Logic" and the double-D symbol  $\square$  are trademarks of Dolby Laboratories.

Manufactured under license from Digital Theater Systems, Inc. US Pat. No. 5,451,942 and other worldwide patents issued and pending. "DTS" and "DTS Digital Surround" are trademarks of Digital Theater Systems, Inc.

### SPECIFICATIONS

#### AUDIO POWER SPECIFICATIONS

**POWER OUTPUT AND TOTAL HARMONIC DISTORTION:**  
With 8 ohm loads, both channels driven, from 20 - 20,000 Hz; rated **110 watts (STR-DE945)** and 100 watts (STR-DE845) per channel minimum RMS power, with no more than 0.09 % total harmonic distortion from 250 milliwatts to rated output (USA model only).

#### Amplifier section

**POWER OUTPUT**  
Models of area code U, CA  
Rated Power Output at Stereo Mode

(8 ohms 20 Hz - 20 kHz, THD 0.09 %)  
**STR-DE945: 110 W + 110 W**  
STR-DE845: 100 W + 100 W

**Reference Power Output**  
(8 ohms 1 kHz, THD 0.7 %)  
**STR-DE945:** FRONT<sup>1)</sup>  
110 W + 110 W  
CENTER<sup>1)</sup>: 110 W  
REAR<sup>1)</sup>:  
110 W + 110 W  
STR-DE845: FRONT<sup>1)</sup>:  
100 W + 100 W  
CENTER<sup>1)</sup>: 100 W  
REAR<sup>1)</sup>:  
100 W + 100 W

Models of other area code  
STR-DE845:  
Rated Power Output at Stereo Mode  
(8 ohms 1 kHz, THD 0.7 %)  
100 W + 100 W<sup>2)</sup>  
90 W + 90 W<sup>3)</sup>

**Reference Power Output**  
(8 ohms 1 kHz, THD 0.7 %)  
FRONT<sup>1)</sup>:  
100 W + 100 W  
CENTER<sup>1)</sup>: 100 W  
REAR<sup>1)</sup>:  
100 W + 100 W  
(8 ohms 20 Hz - 20 kHz, THD 0.09 %)  
FRONT<sup>1)</sup>:  
95 W + 95 W  
CENTER<sup>1)</sup>: 95 W  
REAR<sup>1)</sup>:  
95 W + 95 W  
(8 ohms 1 kHz, THD 10 %)  
FRONT<sup>1)</sup>:  
135 W + 135 W  
CENTER<sup>1)</sup>: 135 W  
REAR<sup>1)</sup>:  
135 W + 135 W

1) Depending on the sound field settings and the source, there may be no sound output.  
2) Measured under the following conditions:  
**Area code Power requirements**  
AU, E 240 V AC, 50 Hz  
CN, SP 230 V AC, 50 Hz  
3) Measured under the following conditions:  
**Area code Power requirements**  
CN 220 V AC, 50 Hz

**Frequency response**  
PHONO: RIAA  
equalization curve  
 $\pm 0.5$  dB  
CD, TAPE, MD/DAT,  
MD/TAPE, DVD/  
LD, TV/SAT,  
VIDEO 1, 2, and  
VIDEO 3:  
10 Hz - 50 kHz  
 $+0.5/-2$  dB (with  
sound field,  
equalizer, and bass  
boost bypassed)

#### Inputs (Analog)

PHONO:  
Sensitivity: 2.5 mV  
Impedance: 50  
kilohms  
S/N<sup>4)</sup>: 86 dB  
(A, 2.5 mV<sup>5)</sup>)  
5.1CH INPUT, CD,  
TAPE, MD/DAT,  
MD/TAPE, DVD/  
LD, TV/SAT, VIDEO  
1, 2, and VIDEO 3:  
Sensitivity: 150 mV  
Impedance:  
50 kilohms  
S/N<sup>4)</sup>: 96 dB  
(A, 150 mV<sup>5)</sup>)

4) INPUT SHORT  
5) Weighted network, input level

#### Inputs (Digital)

DVD/LD IN(Coaxial):  
Sensitivity: -  
Impedance: 75 ohms  
S/N: 100 dB  
(A, 20 kHz LPF)  
DVD/LD IN, TV/SAT  
IN, MD/DAT IN  
(Optical):  
Sensitivity: -  
Impedance: -  
S/N: 100 dB  
(A, 20 kHz LPF)

**Outputs** TAPE, MD/DAT, MD/  
TAPE; VIDEO 1, 2  
(AUDIO OUT):  
Voltage: 150 mV,  
Impedance:  
1 kilohms  
SUB WOOFER:  
Voltage: 2 V  
Impedance:  
1 kilohms  
PHONES:  
Accepts low- and  
high-impedance  
headphones

**BASS BOOST** +6 dB at 70 Hz

**Sampling Frequency**  
48 kHz

**EQ** BASS:  
100 Hz - 1.0 kHz  
(21 steps)  
MID:  
500 Hz - 5.0 kHz  
(21 steps)  
TREBLE:  
1.0 kHz - 10 kHz  
(21 steps)  
Gain levels:  
 $\pm 10$  dB, 1 dB step

- Continued on next page -

## FM STEREO/FM-AM RECEIVER

# SONY®

### FM tuner section

<b>Tuning range</b>	87.5 - 108.0 MHz
<b>Antenna terminals</b>	75 ohms, unbalanced
<b>Sensitivity</b>	Mono: 18.3 dBf, 2.2 µV/75 ohms Stereo: 38.3 dBf, 22.5 µV/75 ohms
<b>Usable sensitivity</b>	11.2 dBf, 1 µV/75 ohms
<b>S/N</b>	Mono: 76 dB Stereo: 70 dB
<b>Harmonic distortion at 1 kHz</b>	Mono: 0.3% Stereo: 0.5%
<b>Separation</b>	45 dB at 1 kHz
<b>Frequency response</b>	30 Hz - 15 kHz +0.5/-2 dB
<b>Selectivity</b>	60 dB at 400 kHz

### AM tuner section

<b>Tuning range</b>	Models of area code U, CA With 10-kHz tuning scale: 530 - 1710 kHz <sup>6)</sup> With 9-kHz tuning scale: 531 - 1710 kHz <sup>6)</sup> Models of area code AU, CN, SP With 9-kHz tuning scale: 531 - 1602 kHz
---------------------	--

<b>Models of area code E</b>	With 10-kHz tuning scale: 530 - 1610 kHz <sup>6)</sup> With 9-kHz tuning scale: 531 - 1602 kHz <sup>6)</sup>
<b>Antenna</b>	Loop antenna
<b>Usable sensitivity</b>	50 dB/m (at 1,000 kHz or 999 kHz)
<b>S/N</b>	54 dB (at 50 mV/m)
<b>Harmonic distortion</b>	0.5 % (50 mV/m, 400 kHz)
<b>Selectivity</b>	At 9 kHz: 35 dB At 10 kHz: 40 dB

6) You can change the AM tuning scale to 9 kHz ↔ 10 kHz. After tuning in any AM station, turn off the receiver. Hold down the TUNING + button and press the V/U button. All preset stations will be erased when you change the tuning scale. To reset the scale to 10 kHz (or 9 kHz), repeat the procedure.

### Video section

<b>Inputs</b>	Video: 1 Vp-p 75 ohms S-video: Y: 1 Vp-p 75 ohms C: 0.286 Vp-p 75 ohms
<b>Outputs</b>	Video: 1 Vp-p 75 ohms S-video: Y: 1 Vp-p 75 ohms C: 0.286 Vp-p 75 ohms

### General

<b>System</b>	Tuner section: PLL quartz-locked digital synthesizer system Preamplifier section: Low-noise NF type equalizer Power amplifier section: Pure-complementary SEPP
<b>Power requirements</b>	Models of area code U, CA 120 V AC, 60 Hz Models of area code CN, SP 220 - 230 V AC, 50/60 Hz Models of area code AU 240 V AC, 50 Hz Models of area code E 120/220/240 V AC, 50/60 Hz
<b>Power consumption</b>	Models of area code U STR-DE945: 290 W STR-DE845: 280 W Models of area code CA STR-DE945: 345 VA STR-DE845: 335 VA Models of area code CN, SP STR-DE845: 220 W Models of area code AU STR-DE845: 230 W Models of area code E STR-DE845: 320 W

<b>Power consumption</b>	Models of area code U STR-DE945: 290 W STR-DE845: 280 W Models of area code CA STR-DE945: 345 VA STR-DE845: 335 VA Models of area code CN, SP STR-DE845: 220 W Models of area code AU STR-DE845: 230 W Models of area code E STR-DE845: 320 W
--------------------------	--

- Abbreviation  
AU : Australian model  
CA : Canadian model  
CN : Chinese model

### AC outlets

<b>Models of area code U, CA</b>	2 switched, total 120 W/1A
<b>Models of area code AU, SP</b>	1 switched, total 100 W
<b>Models of area code E, CN</b>	2 switched, total 100 W

<b>Dimensions</b>	430 × 158 × 378 mm (17 × 6 <sup>1</sup> / <sub>4</sub> × 15 in.) including projecting parts and controls
-------------------	--

<b>Mass (Approx.)</b>	10.3 kg (22 lb 12 oz)
-----------------------	-----------------------

- Supplied accessories**
  - FM wire antenna (1)
  - AM loop antenna (1)
  - LR6 (size-AA) alkaline batteries (3)
- Models of area code U, CA only
  - Audio/video/control S connecting cord (1)
  - Control S connecting cord (1)
- STR-DE945 only
  - Remote commander RM-LJ304 (remote) (1)
- STR-DE845 only
  - Remote commander RM-LP204 (remote) (1)

Design and specifications are subject to change without notice.

- MY : Malaysia model
- SP : Singapore model
- U : US model

### Notes on chip component replacement

- Never reuse a disconnected chip component.
- Notice that the minus side of a tantalum capacitor may be damaged by heat.

### Flexible Circuit Board Repairing

- Keep the temperature of the soldering iron around 270 °C during repairing.
- Do not touch the soldering iron on the same conductor of the circuit board (within 3 times).
- Be careful not to apply force on the conductor when soldering or unsoldering.

### SAFETY-RELATED COMPONENT WARNING!!

COMPONENTS IDENTIFIED BY MARK  $\triangle$  OR DOTTED LINE WITH MARK  $\triangle$  ON THE SCHEMATIC DIAGRAMS AND IN THE PARTS LIST ARE CRITICAL TO SAFE OPERATION. REPLACE THESE COMPONENTS WITH SONY PARTS WHOSE PART NUMBERS APPEAR AS SHOWN IN THIS MANUAL OR IN SUPPLEMENTS PUBLISHED BY SONY.

### 与安全有关的零部件须知

在原理图上用阴影及  $\triangle$  标记来识别的零部件在安全操作上是具有关键性的。这些零部件要用本手册中所示的部件号对应的索尼零部件进行更换。

在安全操作上具有关键性的电路调整与索尼公司出版的维修手册完全一致。在更换关键零部件时或怀疑动作失常时，请进行这些调整操作。

### ATTENTION AU COMPOSANT AYANT RAPPORT À LA SÉCURITÉ!

LES COMPOSANTS IDENTIFIÉS PAR UNE MARQUE  $\triangle$  SUR LES DIAGRAMMES SCHÉMATIQUES ET LA LISTE DES PIÈCES SONT CRITIQUES POUR LA SÉCURITÉ DE FONCTIONNEMENT. NE REMPLACER CES COMPOSANTS QUE PAR DES PIÈCES SONY DONT LES NUMÉROS SONT DONNÉS DANS CE MANUEL OU DANS LES SUPPLÉMENTS PUBLIÉS PAR SONY.

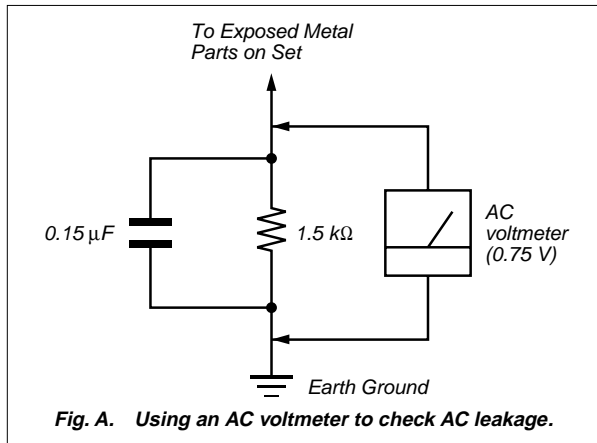
### SAFETY CHECK-OUT

After correcting the original service problem, perform the following safety check before releasing the set to the customer: Check the antenna terminals, metal trim, "metallized" knobs, screws, and all other exposed metal parts for AC leakage. Check leakage as described below.

### LEAKAGE TEST

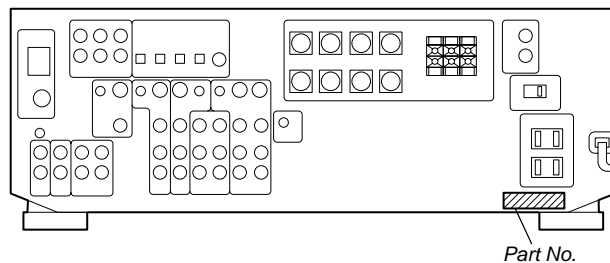
The AC leakage from any exposed metal part to earth ground and from all exposed metal parts to any exposed metal part having a return to chassis, must not exceed 0.5 mA (500 microamperes.). Leakage current can be measured by any one of three methods.

1. A commercial leakage tester, such as the Simpson 229 or RCA WT-540A. Follow the manufacturers' instructions to use these instruments.
2. A battery-operated AC milliammeter. The Data Precision 245 digital multimeter is suitable for this job.
3. Measuring the voltage drop across a resistor by means of a VOM or battery-operated AC voltmeter. The "limit" indication is 0.75 V, so analog meters must have an accurate low-voltage scale. The Simpson 250 and Sanwa SH-63Trd are examples of a passive VOM that is suitable. Nearly all battery operated digital multimeters that have a 2 V AC range are suitable. (See Fig. A)



### MODEL IDENTIFICATION

– Rear View –



Model	Part No.
DE945: US model	4-226-871-0□
DE945: Canadian model	4-226-871-1□
DE845: US model	4-226-871-3□
DE845: Canadian model	4-226-871-4□
Malaysia and Singapore models	4-226-871-5□
Chinese model	4-226-871-6□
Australian model	4-226-871-7□
E and PX models	4-226-871-8□

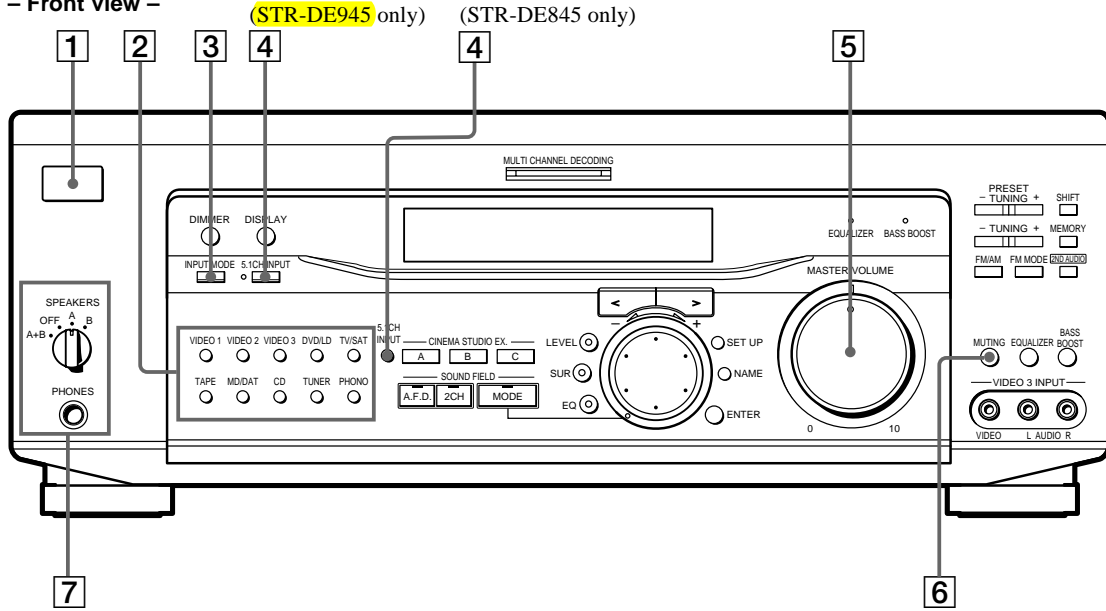
### TABLE OF CONTENTS

<b>1. GENERAL</b>	4
<b>2. DISASSEMBLY</b>	6
<b>3. TEST MODE</b>	9
<b>4. DIAGRAMS</b>	
4-1. Block Diagram – MAIN Section (1/2) –	11
4-2. Block Diagram – MAIN Section (2/2) –	12
4-3. Block Diagram – DISPLAY/POWER SUPPLY Section –	13
4-4. Note for Printed Wiring Boards and Schematic Diagrams	14
4-5. Schematic Diagram – DIGITAL Board (1/3) –	15
4-6. Schematic Diagram – DIGITAL Board (2/3) –	16
4-7. Schematic Diagram – DIGITAL Board (3/3) –	17
4-8. Printed Wiring Board –DIGITAL Board (Component Side)	18
4-9. Printed Wiring Board –DIGITAL Board (Conductor Side)	19
4-10. Printed Wiring Boards –VIDEO/JOINT (1) (H) Boards (DE845) –	20
4-11. Schematic Diagram –VIDEO/JOINT (1) (H) Boards (DE845) –	21
4-12. Printed Wiring Boards – OSD/OSD JOINT (H) Boards (DE945) –	22
4-13. Schematic Diagram – OSD/OSD JOINT (H) Boards (DE945) –	23
4-14. Printed Wiring Board – AU SW Board –	24
4-15. Schematic Diagram – AU SW Board –	25
4-16. Printed Wiring Board – S-VIDEO Board –	26
4-17. Schematic Diagram – S-VIDEO Board –	27
4-18. Printed Wiring Board –DISPLAY Board –	28
4-19. Schematic Diagram – DISPLAY Board –	29
4-20. Printed Wiring Board – MAIN Board –	30
4-21. Schematic Diagram – MAIN Board (1/3) –	31
4-22. Schematic Diagram – MAIN Board (2/3) –	32
4-23. Schematic Diagram – MAIN Board (3/3) –	33
4-24. Printed Wiring Boards – H.P/MUTING/POWER/ROTARY/VIDEO 3(DE945)/VOL/ V. SWITCH (E) Boards –	34
4-25. Schematic Diagram – H.P/MUTING/POWER/ROTARY/VIDEO 3(DE945)/VOL/ V. SWITCH (E) Boards –	35
4-26. Printed Wiring Boards – BIAS (C)/BIAS (L) /BIAS (R)/BIAS (LS)/BIAS (RS)/5.1 IN Boards –	36
4-27. Schematic Diagram – BIAS (C)/BIAS (L) /BIAS (R)/BIAS (LS)/BIAS (RS)/5.1 IN Boards –	37
4-28. Printed Wiring Boards –DC (1)/DC (2) Boards –	38
4-29. Schematic Diagram –DC (1)/DC (2) Boards –	39
4-30. Printed Wiring Boards –AC/SP Boards –	40
4-31. Schematic Diagram – AC/SP Boards –	41
4-32. IC Pin Function Description	46
<b>5. EXPLODED VIEWS</b>	56
<b>6. ELECTRICAL PARTS LIST</b>	59

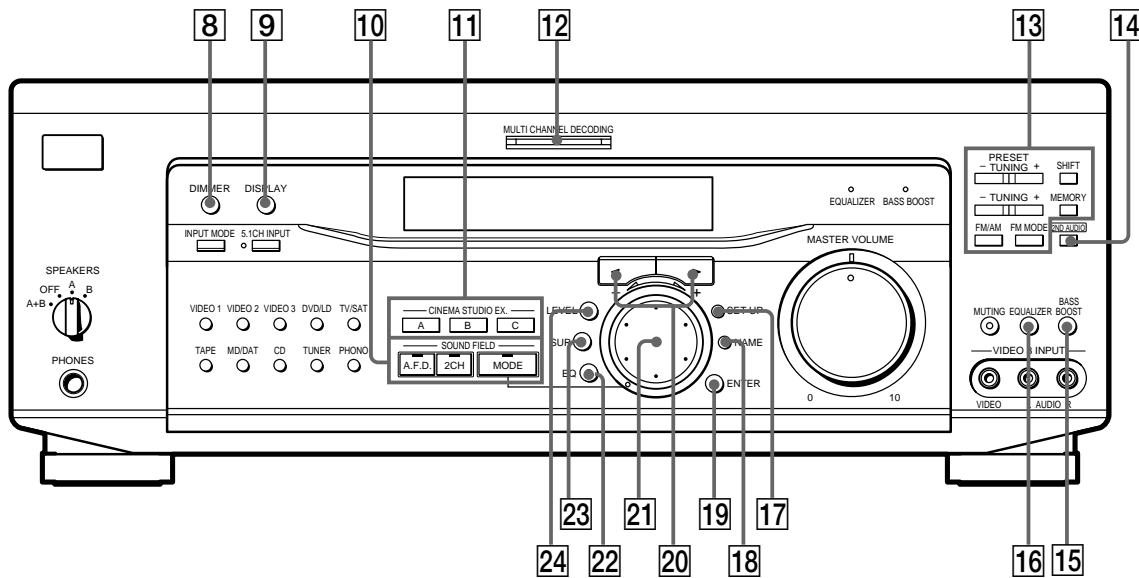
# SECTION 1 GENERAL

## Location of controls

– Front view –

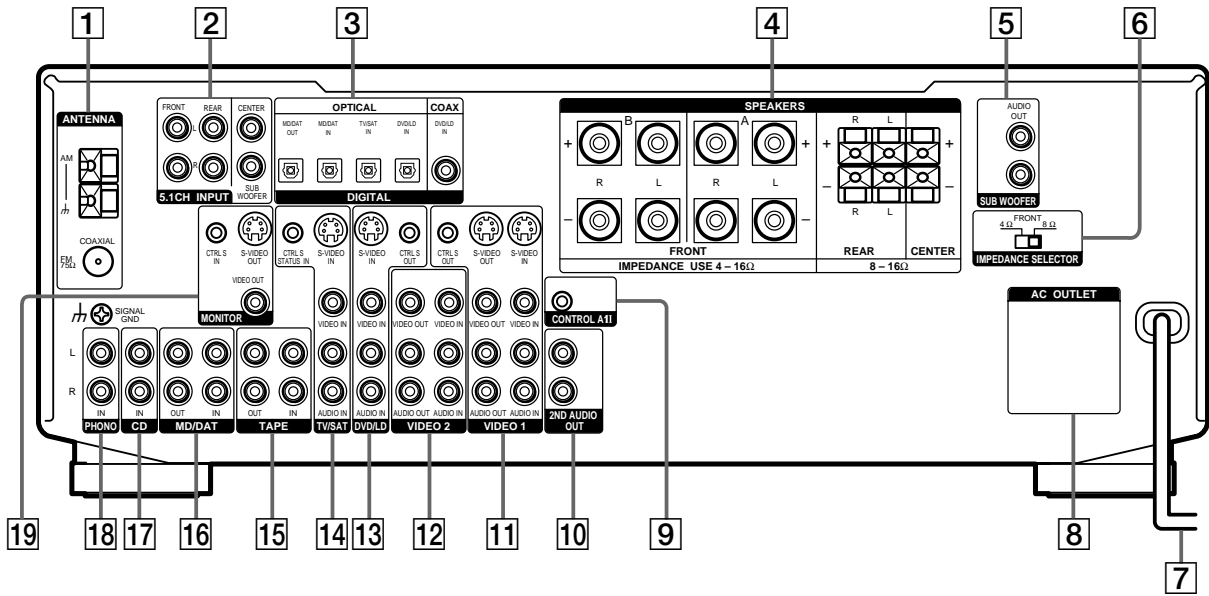


- |                      |                         |
|----------------------|-------------------------|
| 1 I/⏻ button         | 5 MASTER VOLUME control |
| 2 Function Buttons   | 6 MUTING button         |
| 3 INPUT MODE button  | 7 SPEAKERS button       |
| 4 5.1CH INPUT button | PHONE jack              |



- |                                      |                                 |
|--------------------------------------|---------------------------------|
| 8 DIMMER button                      | 14 2ND AUDIO button (STR-DE945) |
| 9 DISPLAY button                     | 15 BASS BOOST button            |
| 10 A. F. D button/indicator          | 16 EQUALIZER button             |
| 2CH button/indicator                 | 17 SET UP button                |
| MODE button/indicator                | 18 NAME button                  |
| 11 CINEMA STUDIO EX. A – C buttons   | 19 ENTER button                 |
| 12 MULTI CHANNEL DECORding indicator | 20 cursor buttons (</>)         |
| 13 PRESET TUNING +/- buttons         | 21 Jog dial                     |
| SHIFT button                         | 22 EQ button                    |
| TUNING +/- buttons                   | 23 SUR button                   |
| FM/AM button                         | 24 LEVEL button                 |
| FM MODE button                       |                                 |

– Rear View –

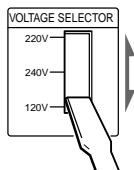


- |                                    |                                   |
|------------------------------------|-----------------------------------|
| <b>1</b> ANTENNA terminal          | <b>11</b> VIDEO 1 jack            |
| <b>2</b> 5.1CH INPUT jack          | <b>12</b> VIDEO 2 jack            |
| <b>3</b> DIGITAL jack              | <b>13</b> DVD/LD jack             |
| OPTICAL jack                       | <b>14</b> TV/SAT jack             |
| COAX jack                          | <b>15</b> TAPE jack (STR-DE945)   |
| <b>4</b> SPEAKERS terminal         | <b>16</b> MD/DAT jack (STR-DE945) |
| FRONT (A/B) terminal               | MD/TAPE jack (STR-DE845)          |
| REAR terminal                      | <b>17</b> CD jack                 |
| CENTER terminal                    | <b>18</b> PHONO jack              |
| <b>5</b> SUB WOOFER jack           | <b>19</b> MONITOR jack            |
| <b>6</b> IMPEDANCE SELECTOR switch |                                   |
| <b>7</b> AC POWER cord             |                                   |
| <b>8</b> AC OUTLET                 |                                   |
| <b>9</b> CONTROL A III jack        |                                   |
| <b>10</b> 2ND AUDIO OUT jack       |                                   |

**(E model)**

**Setting a voltage selector**

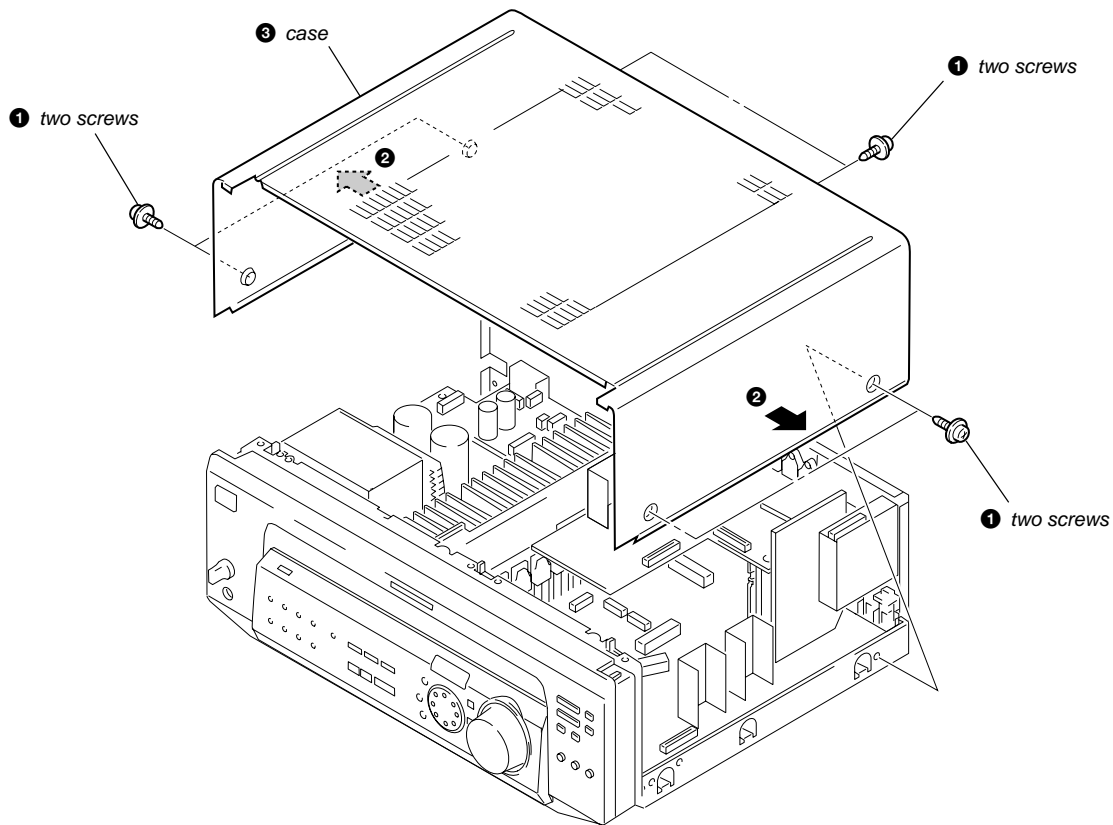
If your receiver has a voltage selector on the rear panel, check that the voltage selector on the rear panel of the receiver is set to the local power supply voltage. If not, use a screwdriver to set the selector to the correct position before connecting the AC power cord to a wall outlet.



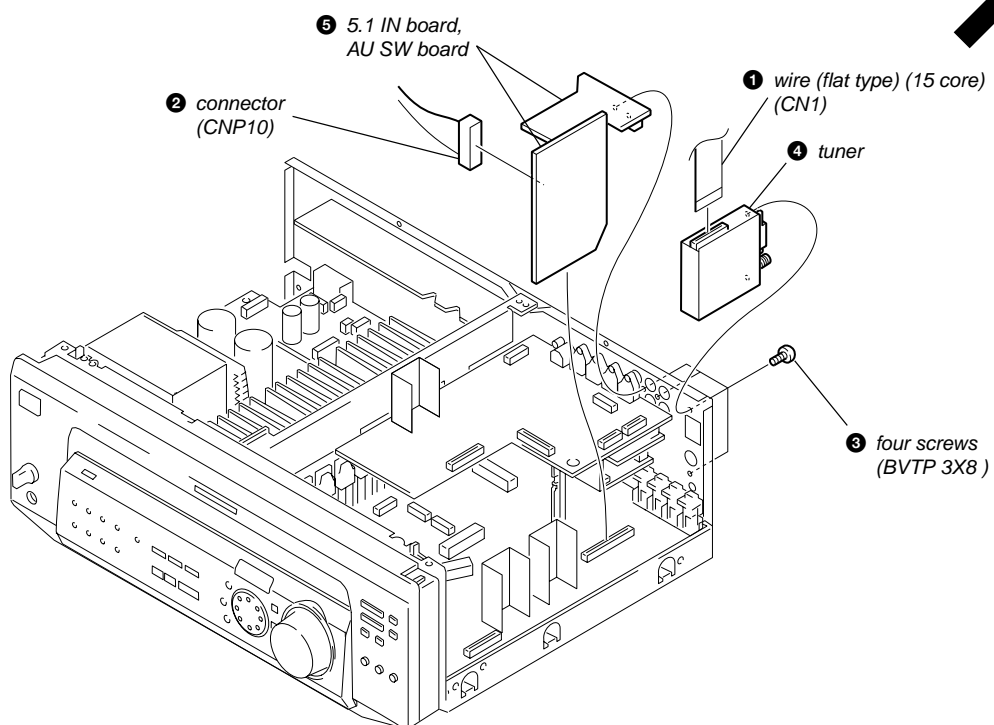
## SECTION 2 DISASSEMBLY

**Note:** Follow the disassembly procedure in the numerical order given.

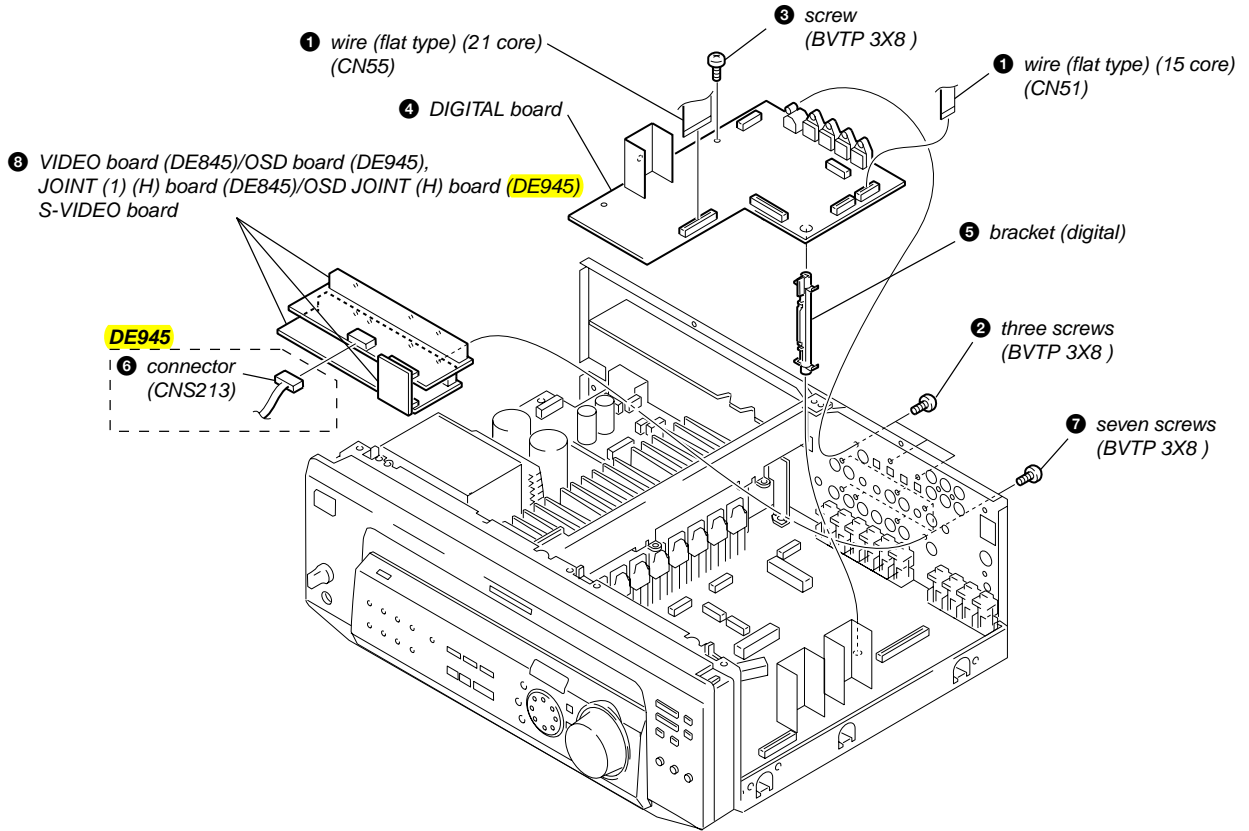
### CASE



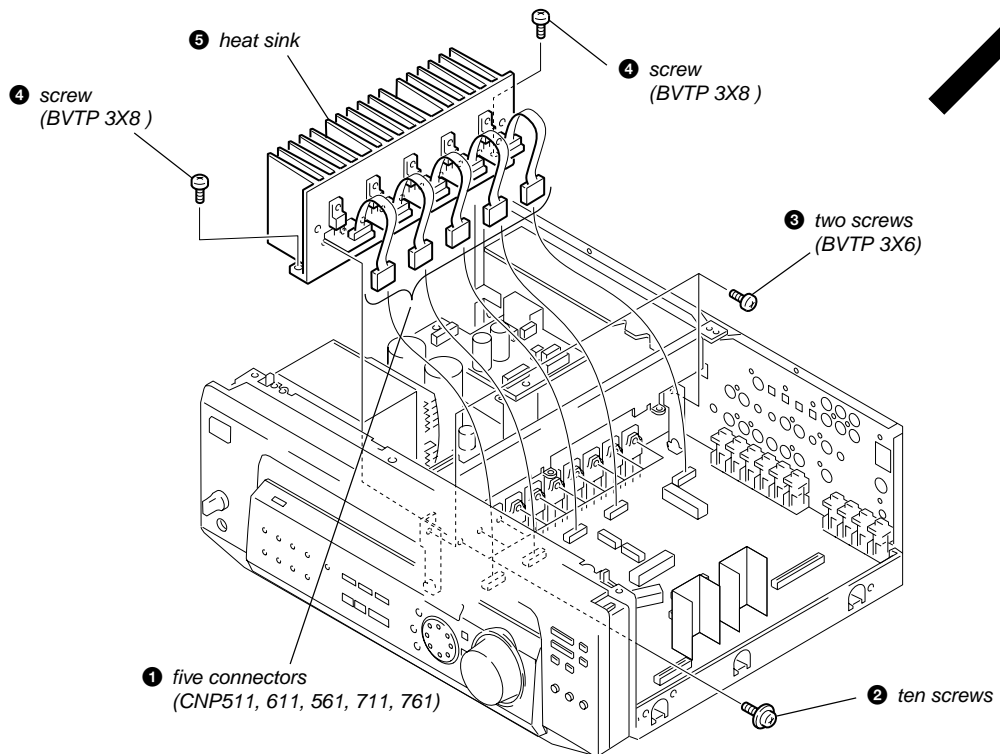
### 5.1 IN BOARD, AU SW BOARD, TUNER



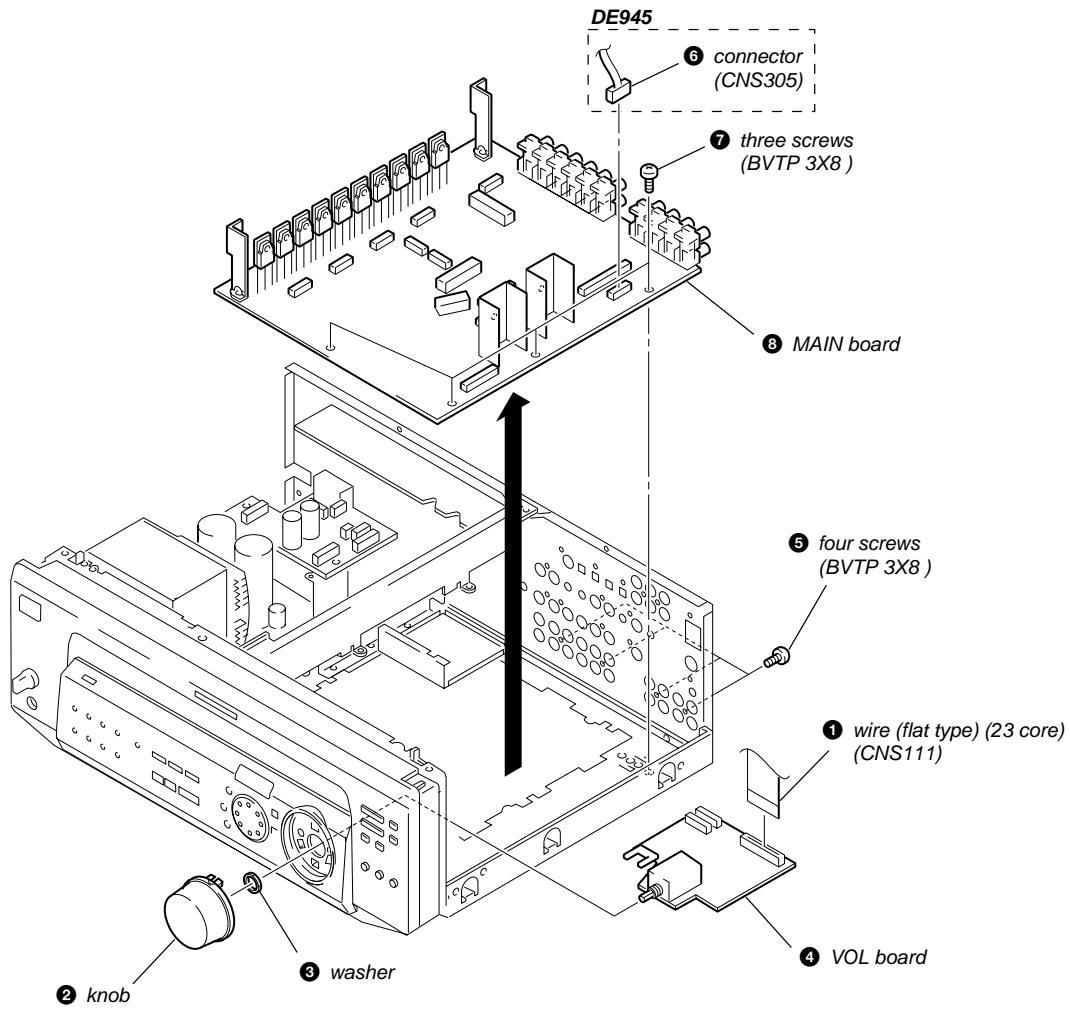
**VIDEO/OSD/JOINT (1) (H)/OSD JOINT (H)/  
S-VIDEO/DIGITAL BOARD**



**HEAT SINK**



# VOL BOARD, MAIN BOARD





## SECTION 3 TEST MODE

### Fluorescent Indicator Tube Test Mode

All fluorescent segments are tested. When this test is activated, all segments turn on at the same time, then each segment turns on one after another.

Procedure:

1. While depressing the **[A.F.D]** and the **[DIMMER]** buttons simultaneously, press the power **[I/O]** button to turn on the main power.
2. All segments turn on at the same time, then each segment turns on press the **[A.F.D]** button.

### Factory Set Mode

All preset contents are reset to the default setting.

Procedure:

1. While depressing the **[SET UP]**, and the **[DIMMER]** buttons simultaneously, press the power **[I/O]** button to turn on the main power. The message Factory Set appears and the present contents are reset to the default values.

### All Clear Mode

All preset contents are cleared when this mode is activated. Use this mode before returning the product to clients upon completion of repair.

Procedure:

1. While depressing the **[SET UP]** button simultaneously, press the power **[I/O]** button to turn on the main power. The machine enters the DEMO mode.  
DEMO mode: Wait a while, then the demonstration starts. If the power **[I/O]** button is pressed often the demonstration has started, the power is turned off, and the demonstration resumes if the power **[I/O]** button is pressed again.  
ALL CLEAR mode; Press the **[A.F.D]**, **[SOUND FIELD MODE (+)]**, and **[I/O]** buttons.

### Sound Field Clear Mode

The preset sound field is cleared when this mode is activated. Use this mode before returning the product to clients upon completion of repair.

Procedure:

1. While depressing the **[SOUND FIELD MODE (+)]** button, press the power **[I/O]** button to turn on the main power. The message S.F Initialize appears and initialization is performed.

### AM Channel Step 9 kHz/10 kHz

#### Selection Mode (US, Canadian, and E Models)

Either the 9 kHz step or 10 kHz step can be selected for the AM channel step.

Procedure:

1. Set the FUNCTION to AM. Turn off the main power.
2. While depressing the **[TUNING+]** button or the **[PRESET TUNING +]** button, press the power **[I/O]** button to turn on the main power.
3. Either the message AM 9kHz Step or AM 10kHz Step appears. Select the desired step.

### DSP Test Mode

It tests whether the DSP works correctly or not. When the DSP test is activated, the test data is output from the DSP (IC1401: CXD2712R) of the DIGITAL board and is written in the RAM (IC1402: IDT71V016S). When the test data is read from the RAM by the DSP, the data output must be equivalent to the original data. If they disagree, an error is triggered. Errors can be caused by the broken data line or defective soldering.

Procedure:

1. While pressing the **[SOUND FIELD MODE(+)]** and **[DIMMER]** buttons, press the **[I/O]** button to enter the DSP test mode.
2. The message DSP TEST MODE appears. When an error occurs, the message DSP2 ERROR is displayed. When there is no error, the message DSP2 NO ERROR appears and the 1 kHz signal is output to all channels.
3. Use the **[MUTING]** button, when selecting the SINE WAVE, THROUGH, or IMPLUSE mode.

### Version Mode

When this mode is used, the microprocessor version number is displayed.

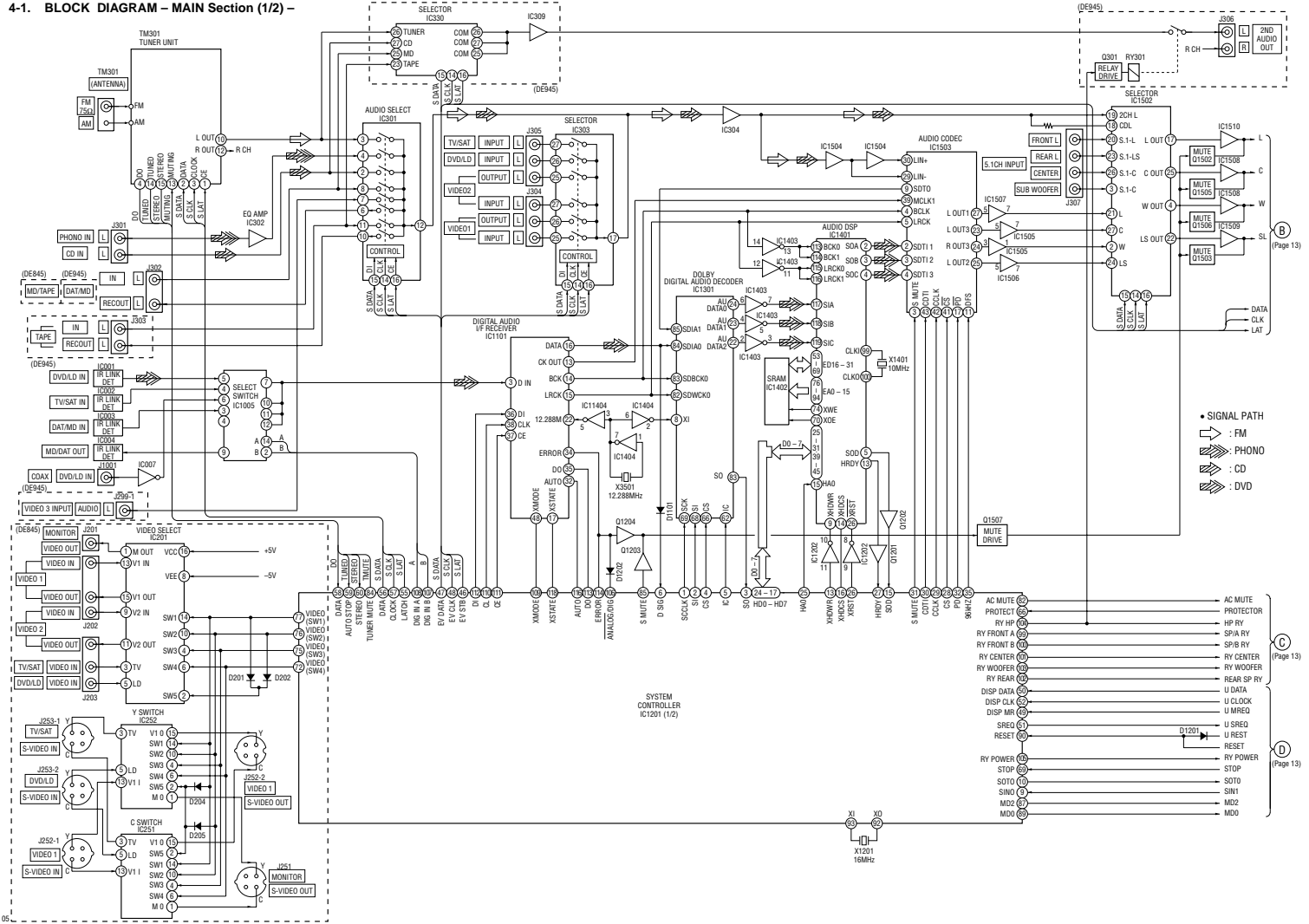
Procedure:

1. Press the **[I/O]** button while pressing the **[MUTING]**, and **[DIMMER]** buttons to turn on the power. The microprocessor version number appears as follows.

# MEMO

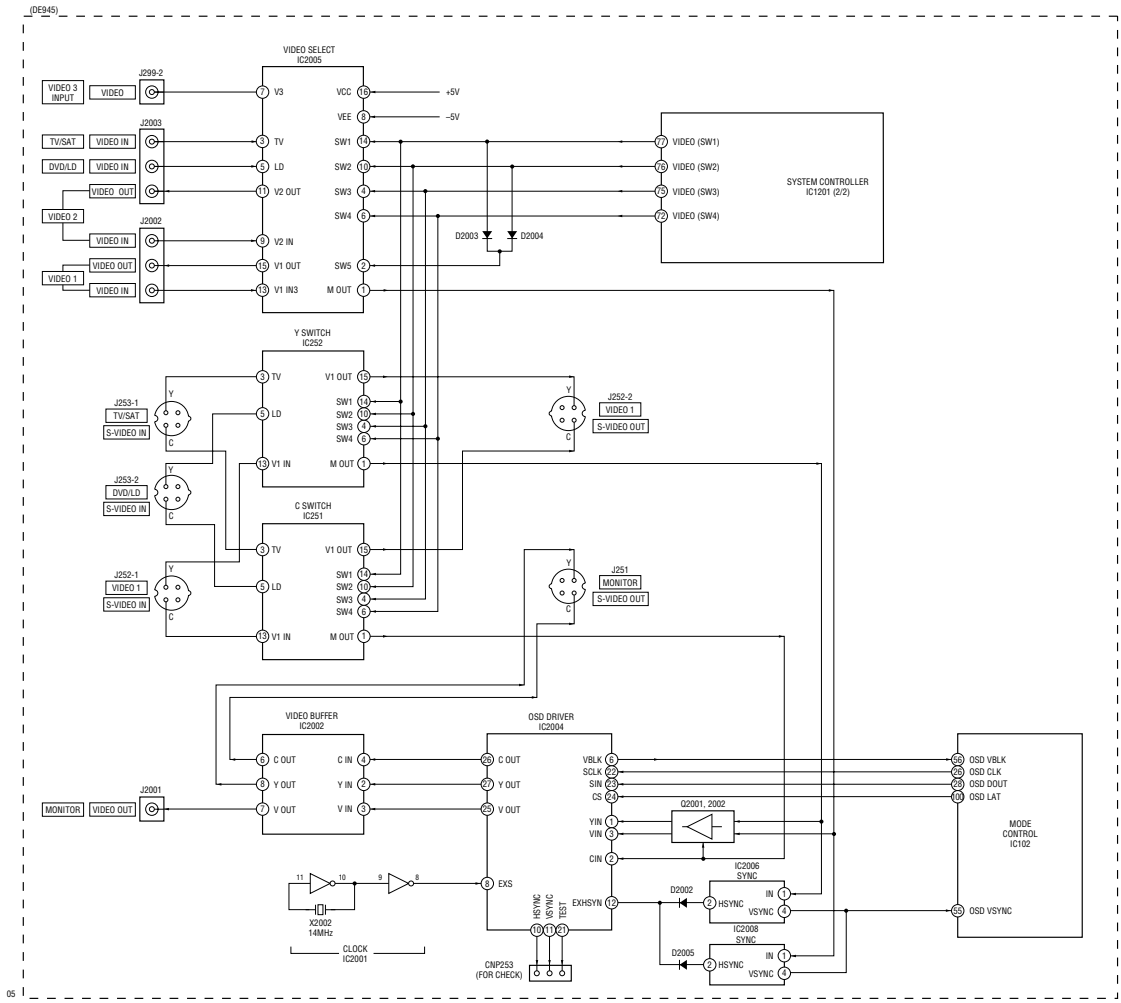
SECTION 4  
DIAGRAMS

4-1. BLOCK DIAGRAM - MAIN Section (1/2) -

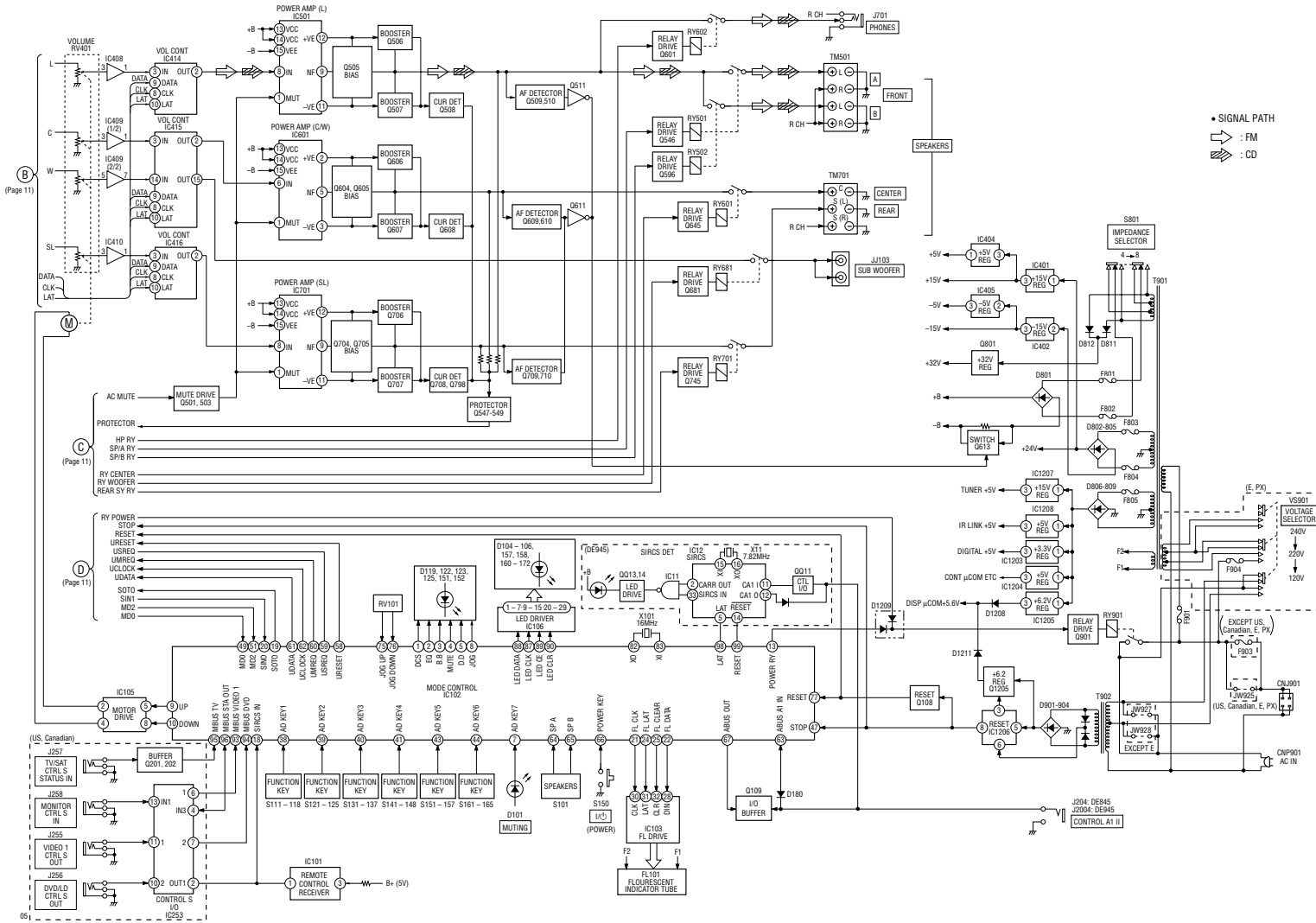


STR-DE845/DE945

4-2. BLOCK DIAGRAM – MAIN Section (2/2) –



4-3. BLOCK DIAGRAM - DISPLAY/POWER SUPPLY Section -



#### 4-4. NOTE FOR PRINTED WIRING BOARDS AND SCHEMATIC DIAGRAMS

##### Note on Schematic Diagram:

- All capacitors are in  $\mu\text{F}$  unless otherwise noted.  $\text{pF}$ :  $\mu\text{pF}$  50 WV or less are not indicated except for electrolytics and tantalums.
- $\Delta$  : internal component.
- $\text{R}_{\text{NF}}$  : nonflammable resistor.
- $\square$  : panel designation.

##### Note:

The components identified by mark  $\Delta$  or dotted line with mark  $\Delta$  are critical for safety. Replace only with part number specified.

##### Note:

Les composants identifiés par une marque  $\Delta$  sont critiques pour la sécurité. Ne les remplacer que par une pièce portant le numéro spécifié.

以阴影和  $\Delta$  标志来识别的零部件在安全方面具有关键性。因此只能以规定号码的零部件来更换。

- $\text{B} \pm$  : B+ Line.
- $\text{B} -$  : B- Line.
- Voltages and waveforms are dc with respect to ground under no-signal (detuned) conditions. no mark : FM
- \* : Impossible to measure
- Voltages are taken with a VOM (input impedance 10 M $\Omega$ ). Voltage variations may be noted due to normal production tolerances.
- Waveforms are taken with an oscilloscope. Voltage variations may be noted due to normal production tolerances.
- Circled numbers refer to waveforms.
- Signal path:
  - $\Rightarrow$  : FM
  - $\Rightarrow$  : CD
  - $\Rightarrow$  : PHONO
- Abbreviation
  - AUS : Australian model
  - CH : Chinese model
  - CND : Canadian model
  - MY : Malaysia model
  - SP : Singapore model

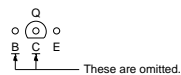
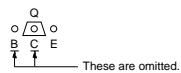
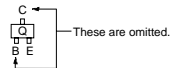
##### Note on Printed Wiring Board:

- $\circ$  : parts extracted from the component side.
- $\square$  : parts extracted from the conductor side.
- $\circ$  : Through hole.
- $\square$  : Pattern from the side which enables seeing. (The other layers' patterns are not indicated.)

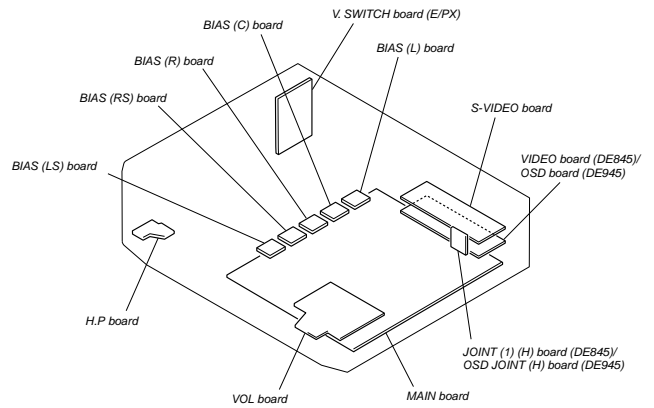
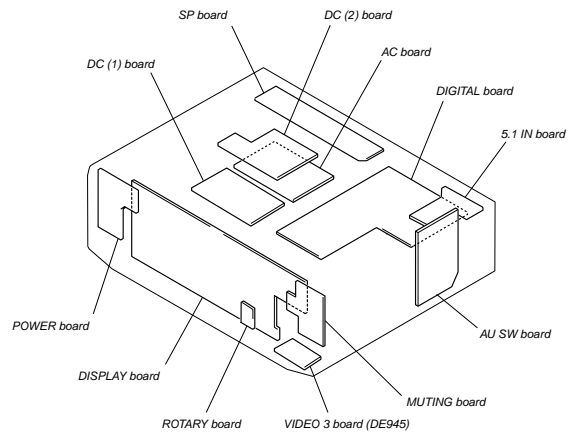
##### Caution:

Pattern face side: Parts on the pattern face side seen from (Conductor Side) the pattern face are indicated.  
Parts face side: Parts on the parts face side seen from (Component Side) the parts face are indicated.

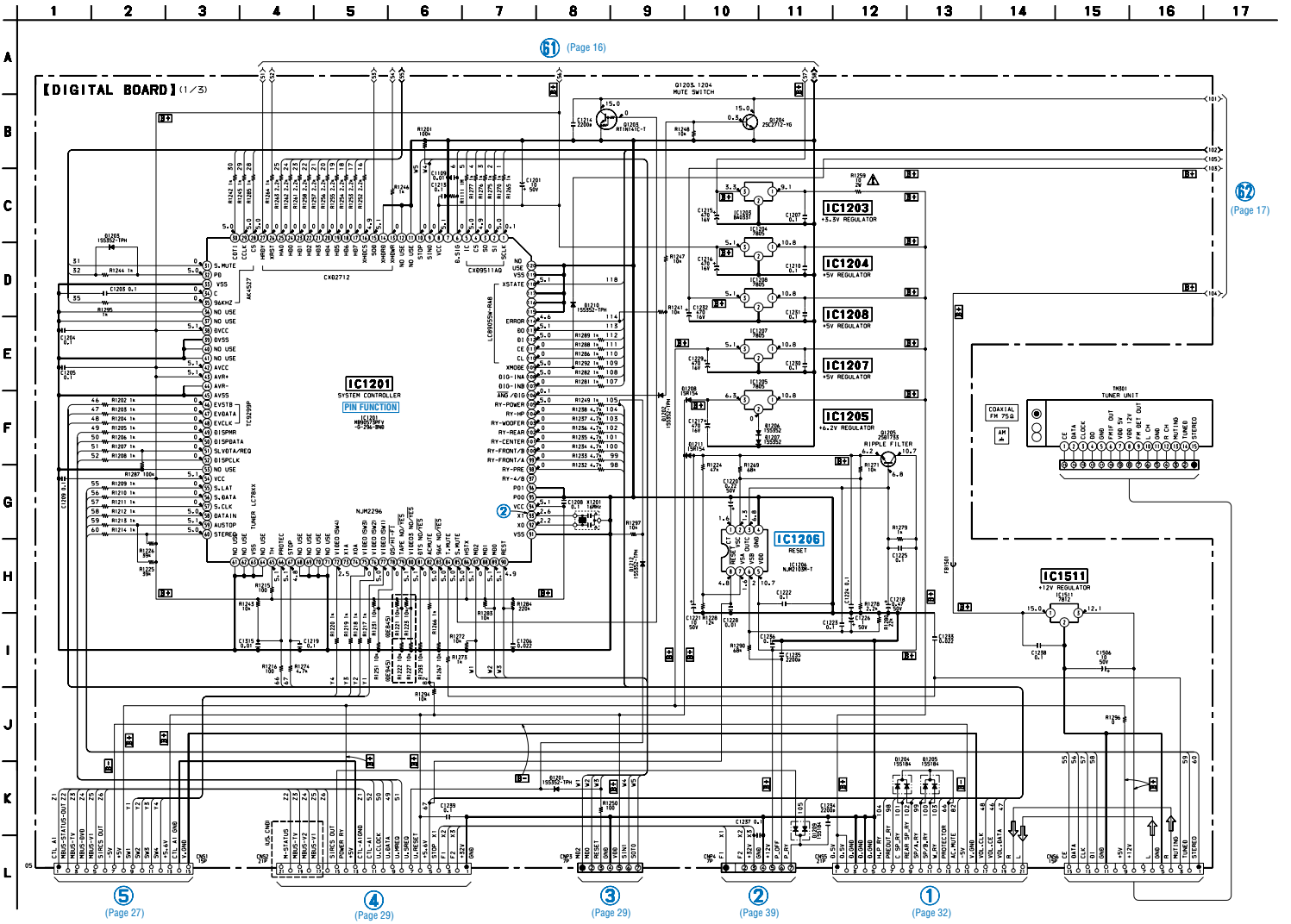
##### Indication of transistor



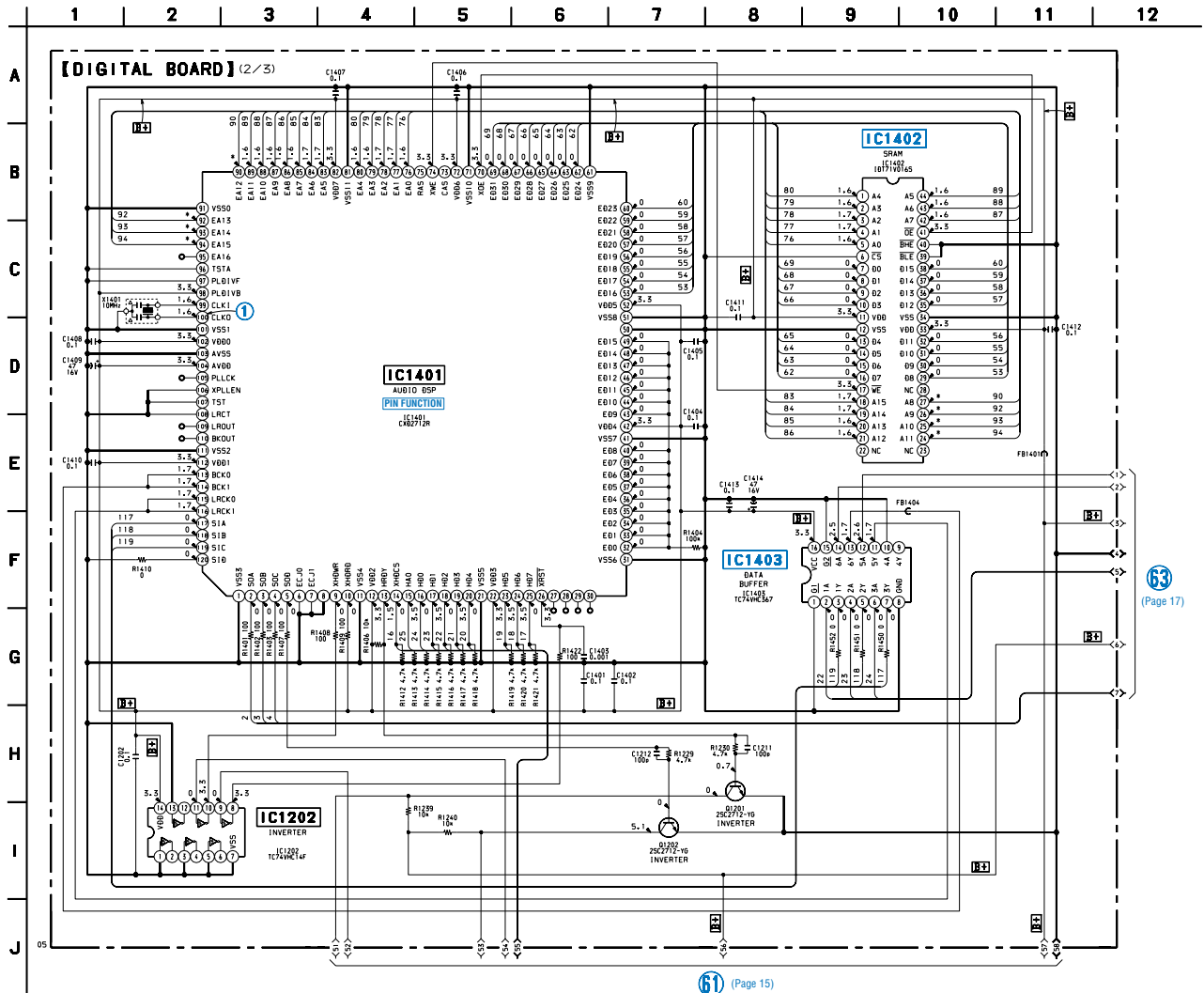
#### Circuit Boards Location



4-5. SCHEMATIC DIAGRAM – DIGITAL Board (1/3) – • See page 42 for Waveform. • See page 42 for IC Block Diagram.

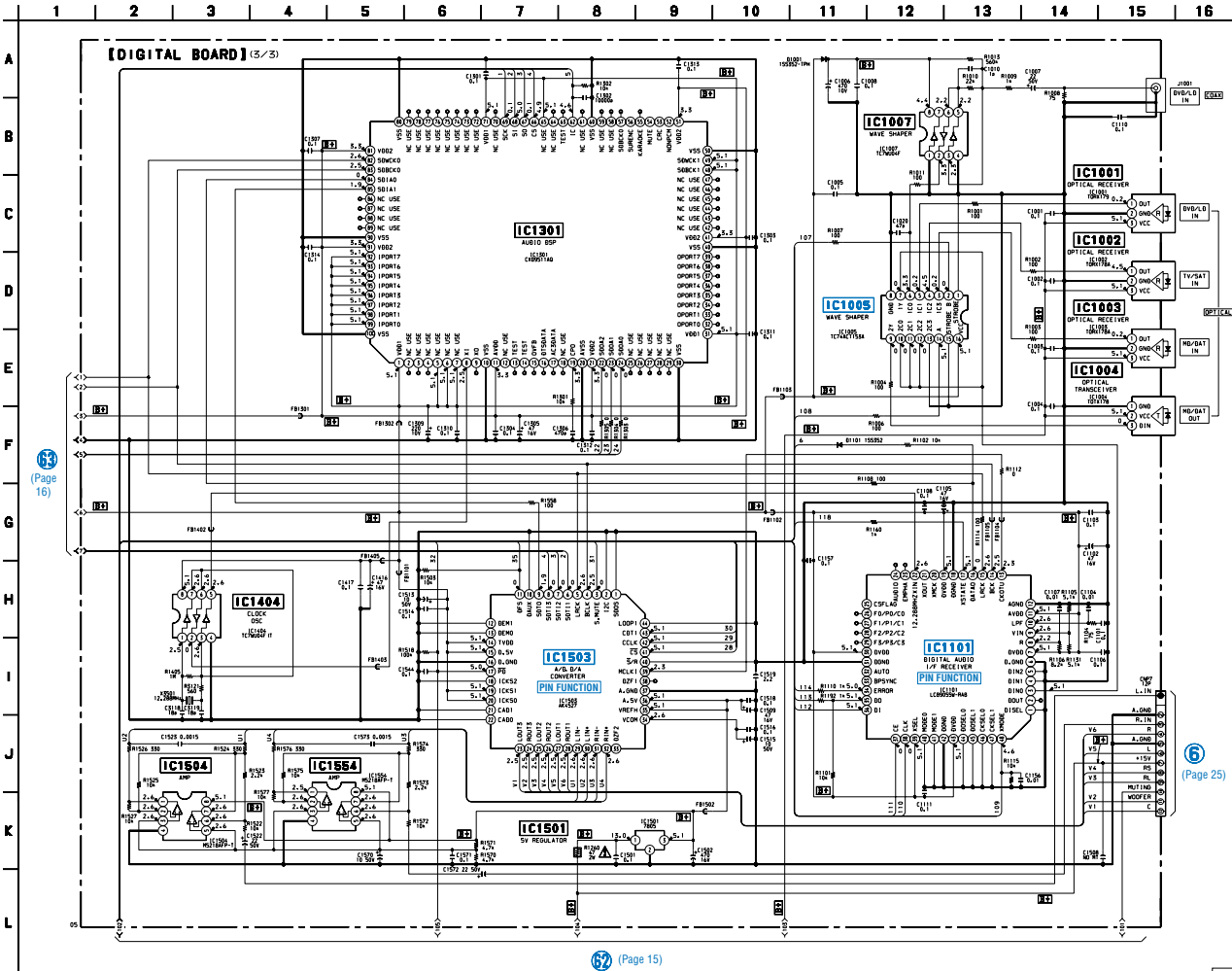


4-6. SCHEMATIC DIAGRAM – DIGITAL Board (2/3) – • See page 42 for Waveform. • See page 42 for IC Block Diagrams.





4-7. SCHEMATIC DIAGRAM – DIGITAL Board (3/3) – • See page 42 for Waveform. • See page 42 for IC Block Diagrams.



(Page 16)

(Page 25)

(Page 15)

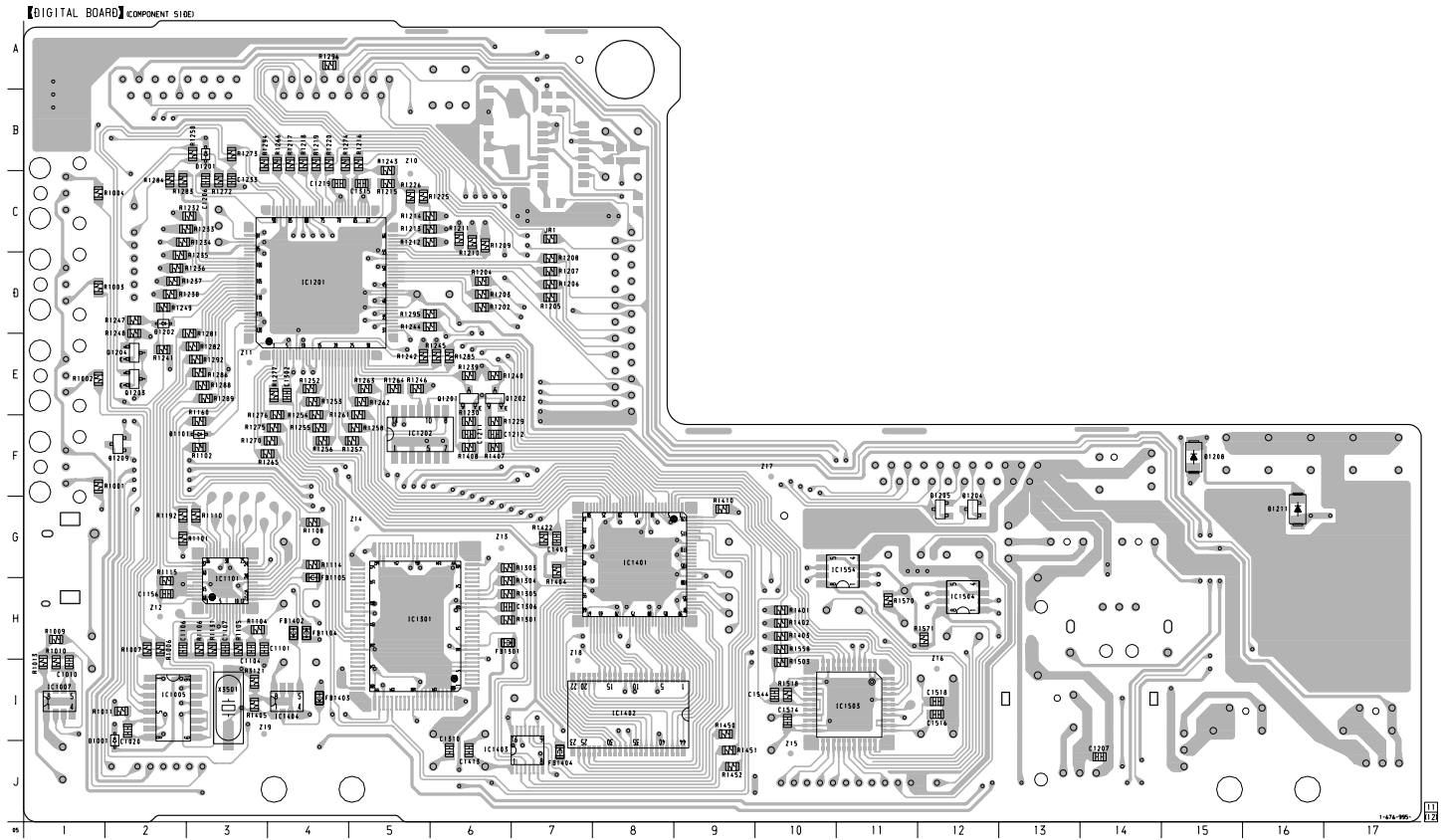
以阴影和△标志来识别的零部件在安全方面具有关键性。因此只能以规定号码的零部件来更换。

The components identified by mark △, or dotted line with mark △, are critical for safety. Replace only with part number specified.

Les composants identifiés par une marque △ sont critiques pour la sécurité. Ne les remplacer que par une pièce portant le numéro spécifié.

STR-DE845/DE945

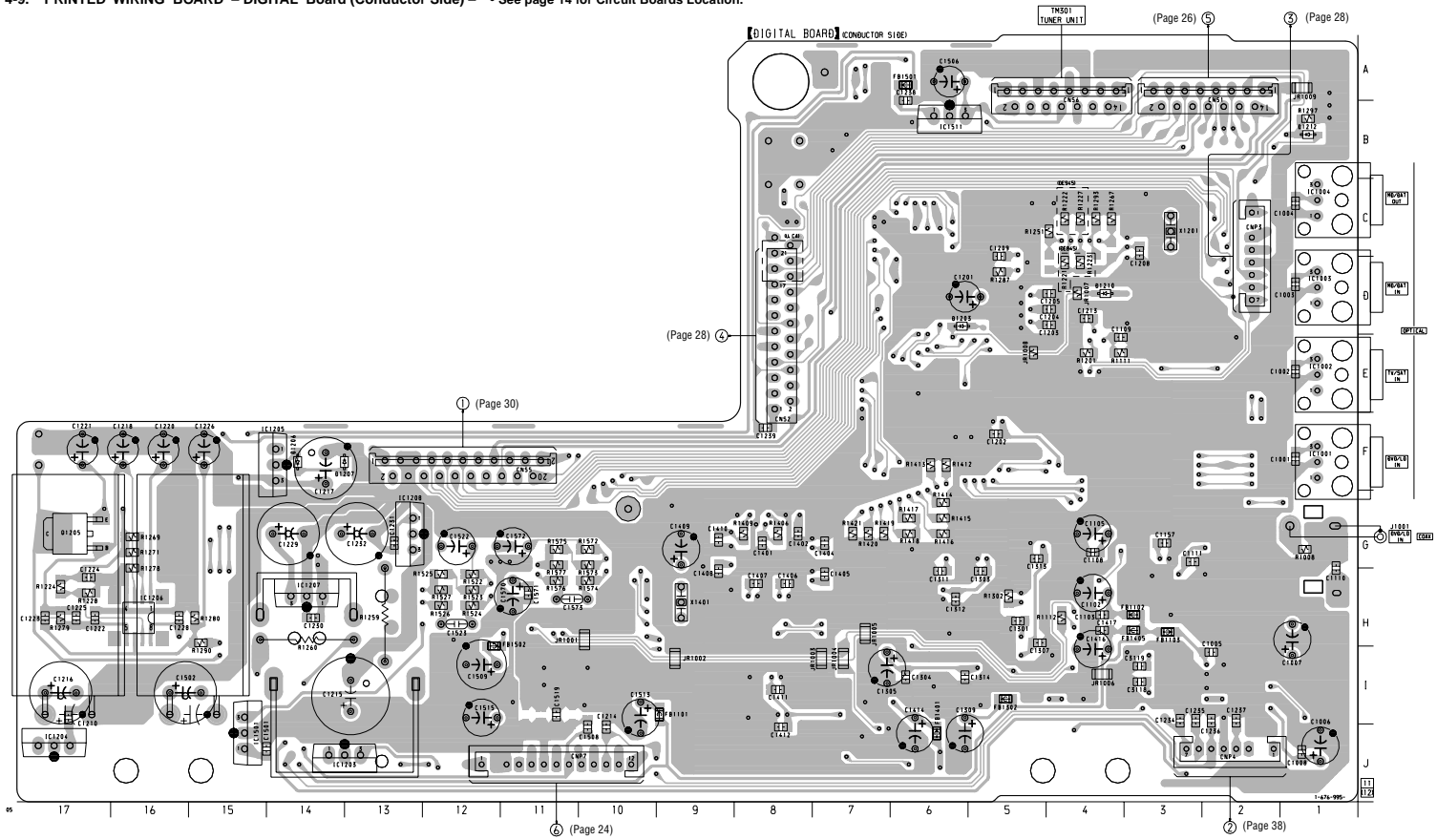
4-8. PRINTED WIRING BOARD – DIGITAL Board (Component Side) – • See page 14 for Circuit Boards Location.



• Semiconductor Location

Ref. No.	Location	Ref. No.	Location
D1001	I-2	IC1201	D-4
D1101	F-3	IC1202	F-5
D1201	B-3	IC1301	H-5
D1202	D-2	IC1401	G-8
D1203	D-5	IC1402	I-8
D1204	G-12	IC1403	J-7
D1205	G-12	IC1404	I-4
D1208	F-15	IC1503	I-11
D1209	F-2	IC1504	H-12
D1210	D-4	IC1554	G-11
D1211	G-16		
D1212	B-1	Q1201	E-6
		Q1202	E-6
IC1005	I-2	Q1203	E-2
IC1007	I-1	Q1204	E-2
IC1101	H-3		

4-9. PRINTED WIRING BOARD – DIGITAL Board (Conductor Side) – • See page 14 for Circuit Boards Location.



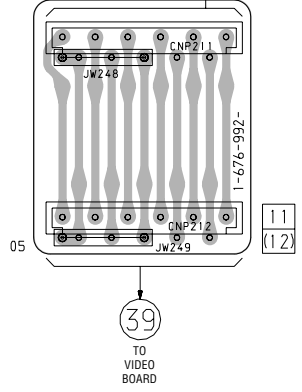
• Semiconductor Location

Ref. No.	Location	Ref. No.	Location
D1206	F-14	IC1204	J-17
D1207	F-13	IC1205	F-14
D1502	I-11	IC1206	H-16
D1503	I-11	IC1207	H-14
		IC1208	G-13
		IC1208	G-13
IC1001	F-1	IC1501	J-15
IC1002	E-1	IC1511	B-6
IC1003	D-1		
IC1004	G-1	Q1205	G-17
IC1203	J-14		

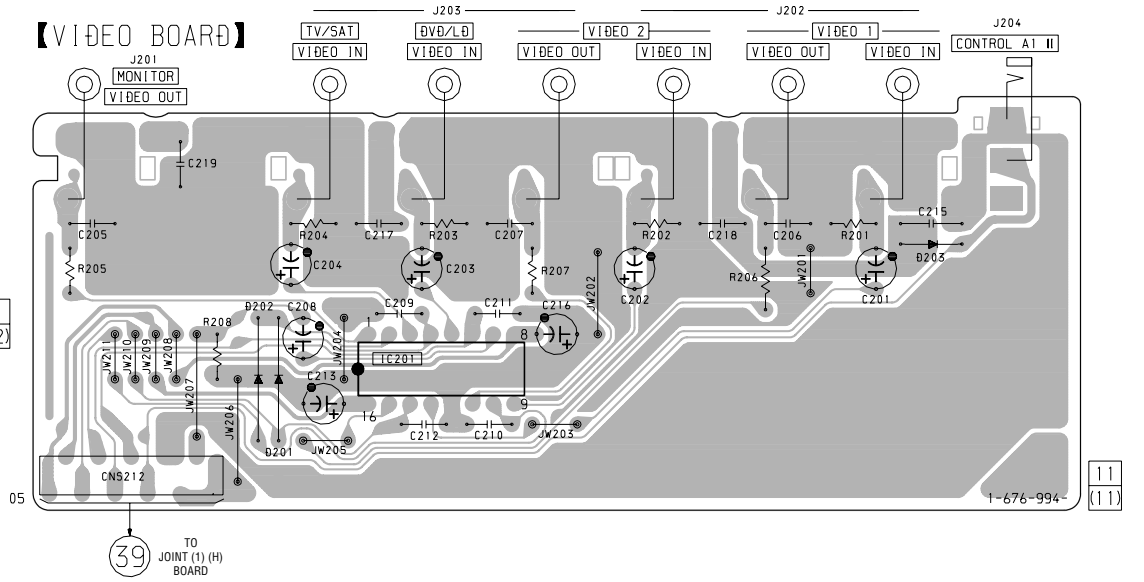
4-10. PRINTED WIRING BOARDS – VIDEO/JOINT (1) (H) Boards (DE845) – • See page 14 for Circuit Boards Location.

(DE845)

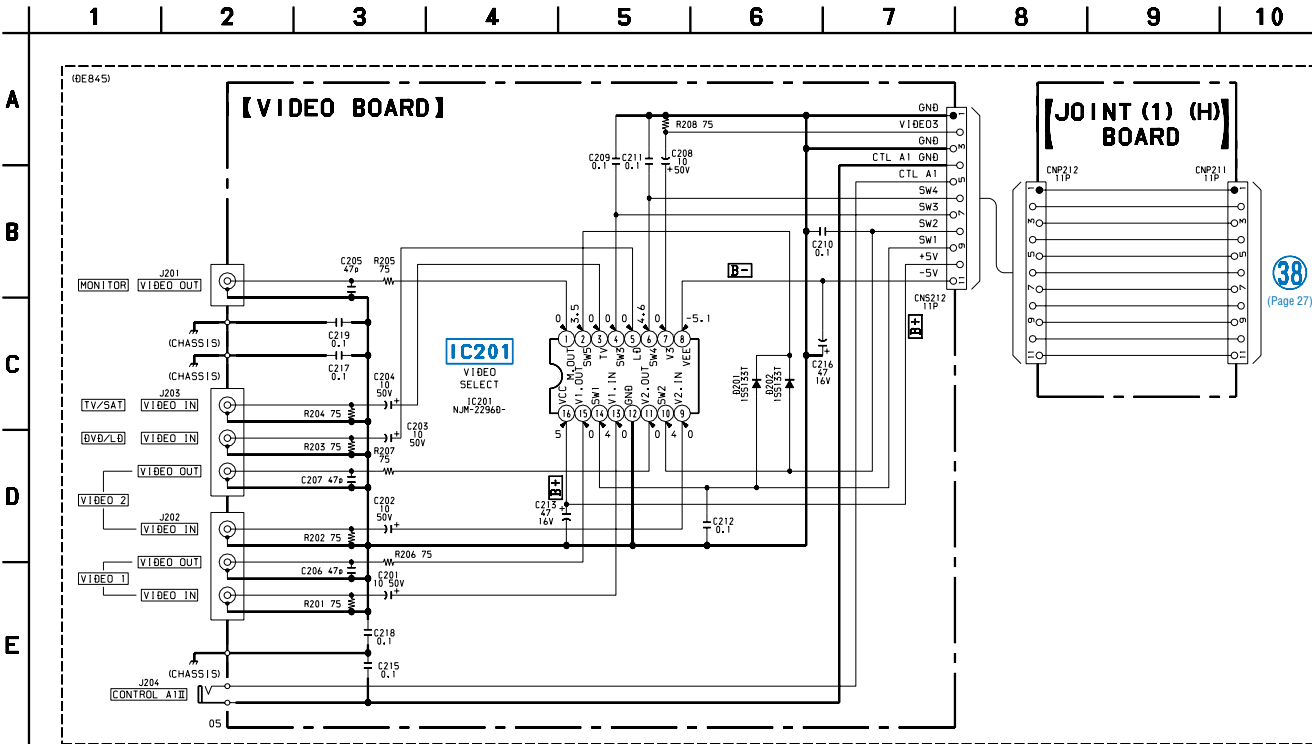
**JOINT (1) (H) BOARD**



**VIDEO BOARD**



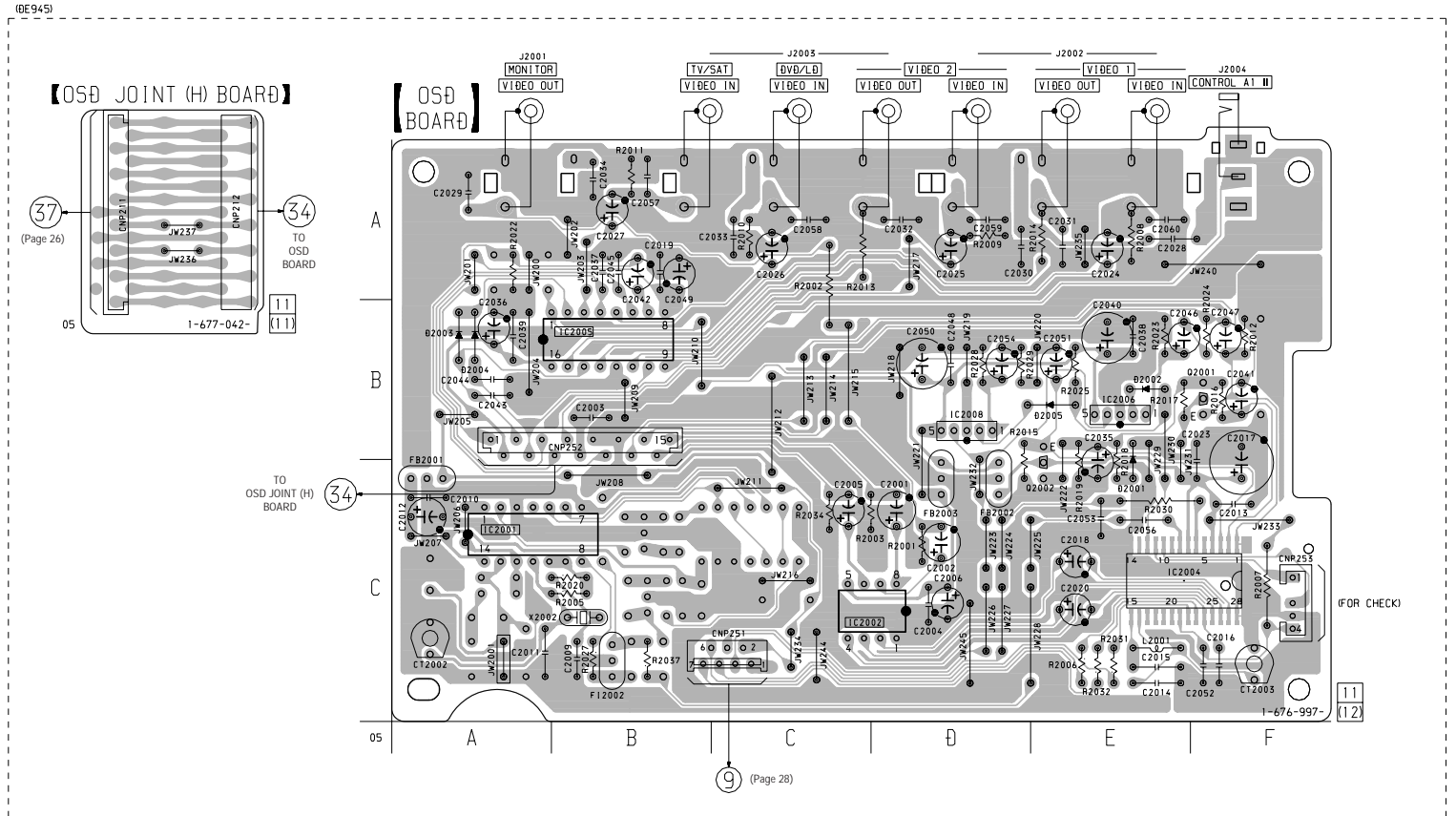
4-11. SCHEMATIC DIAGRAM – VIDEO/JOINT (1) (H) Boards (DE845) – • See page 42 for IC Block Diagram.



38  
(Page 27)

**STR-DE845/DE945**

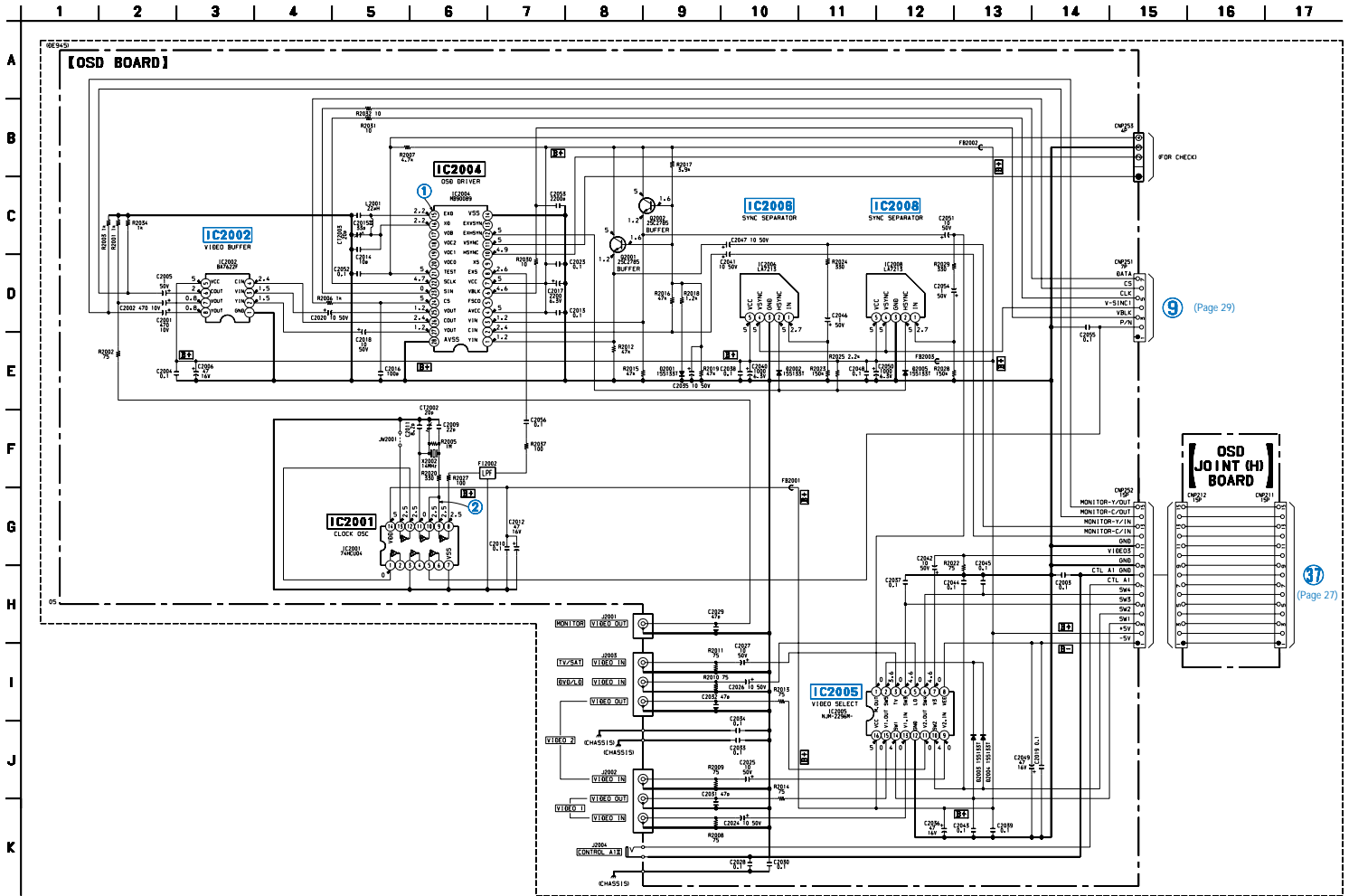
4-12. PRINTED WIRING BOARDS – OSD/OSD JOINT (H) Boards (DE945) – • See page 14 for Circuit Boards Location.



• Semiconductor Location

Ref. No.	Location	Ref. No.	Location
D2001	C-5	IC2004	C-5
D2002	B-5	IC2005	B-2
D2003	B-1	IC2006	B-5
D2004	B-1	IC2007	
D2005	B-5	IC2008	B-4
IC2001	C-1	Q2001	B-6
IC2002	C-3	Q2002	C-5

4-13. SCHEMATIC DIAGRAM – OSD/OSD JOINT (H) Boards (DE945) – • See page 42 for waveforms. • See page 42 IC Block Diagrams.

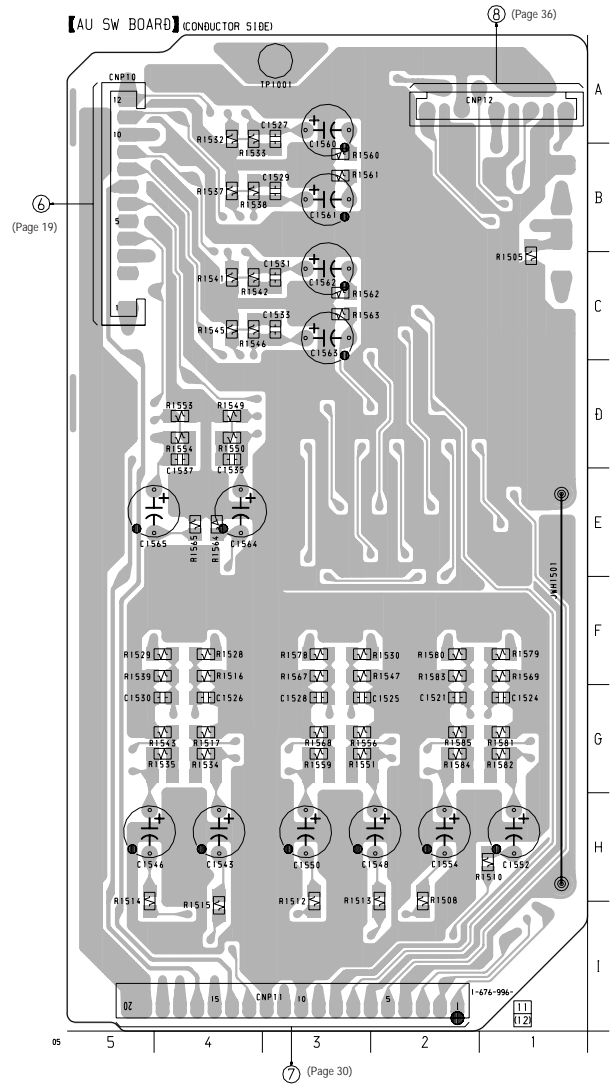
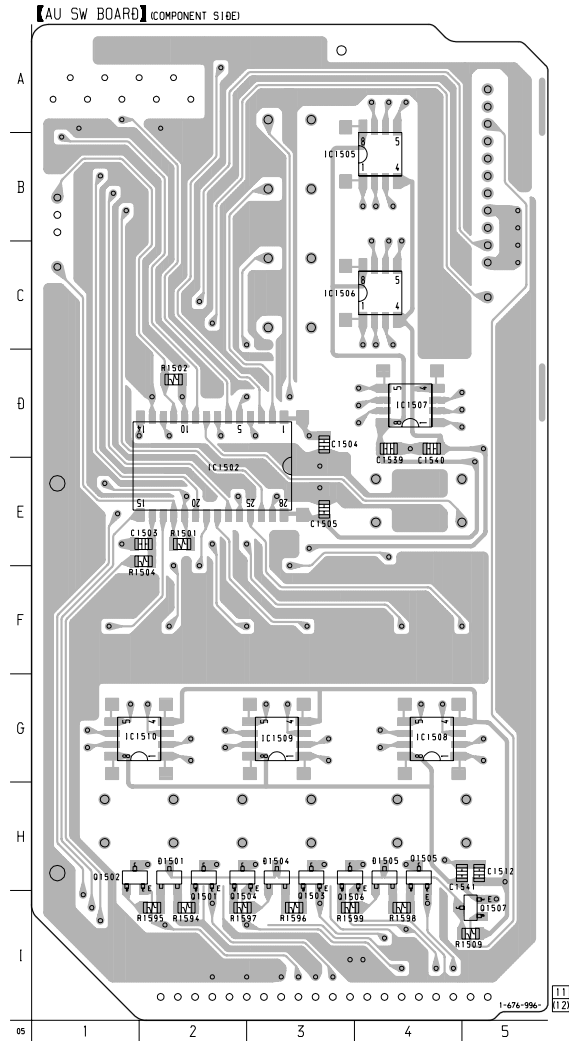


**STR-DE845/DE945**

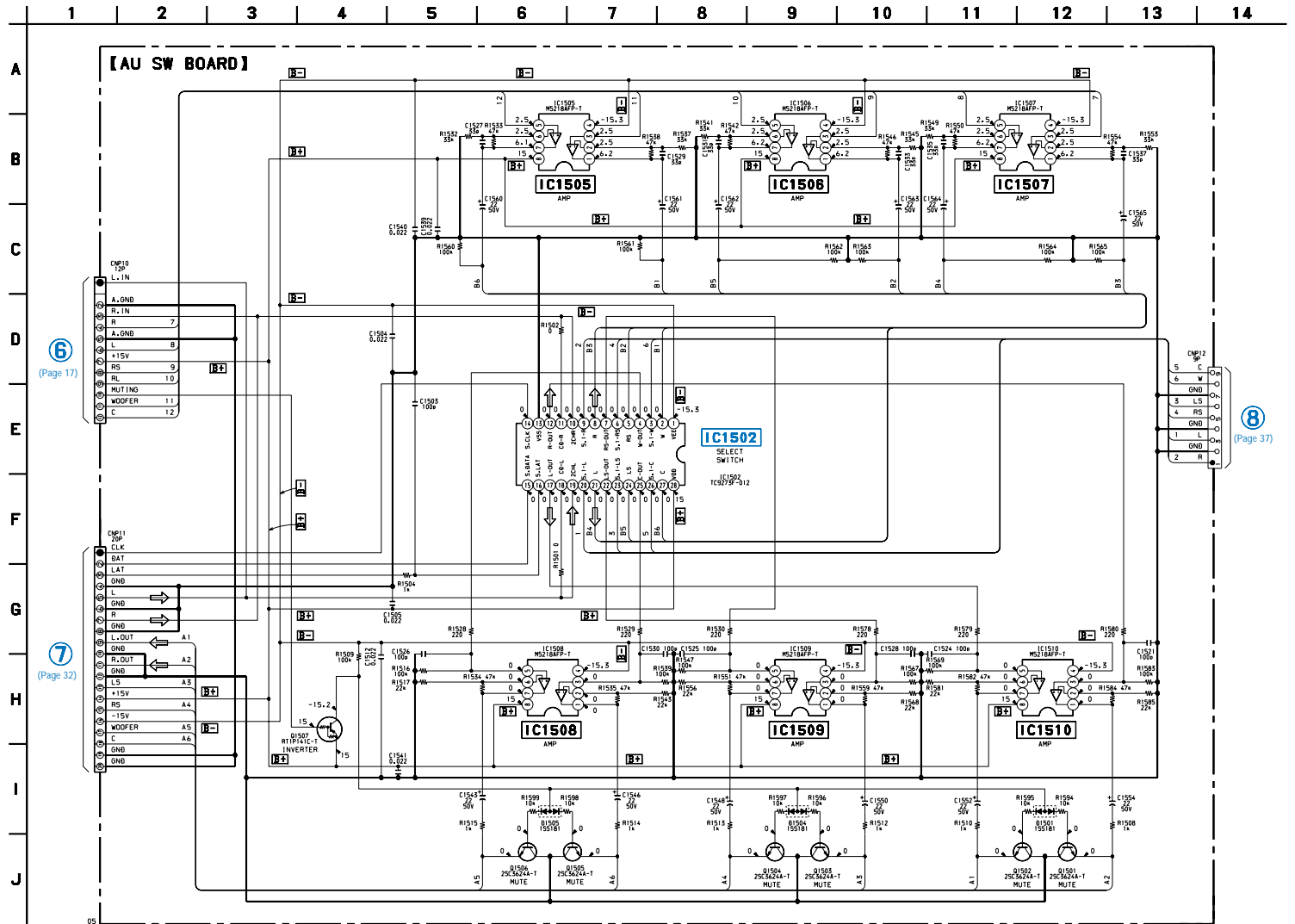
**4-14. PRINTED WIRING BOARD – AU SW Board – • See page 14 for Circuit Boards Location.**

**• Semiconductor Location**

Ref. No.	Location
D1501	H-2
D1504	H-3
D1505	H-4
IC1502	E-2
IC1505	B-4
IC1506	C-4
IC1507	D-4
IC1508	G-4
IC1509	G-3
IC1510	G-1
Q1501	H-2
Q1502	H-1
Q1503	H-3
Q1504	H-2
Q1505	H-4
Q1506	H-3
Q1507	I-5

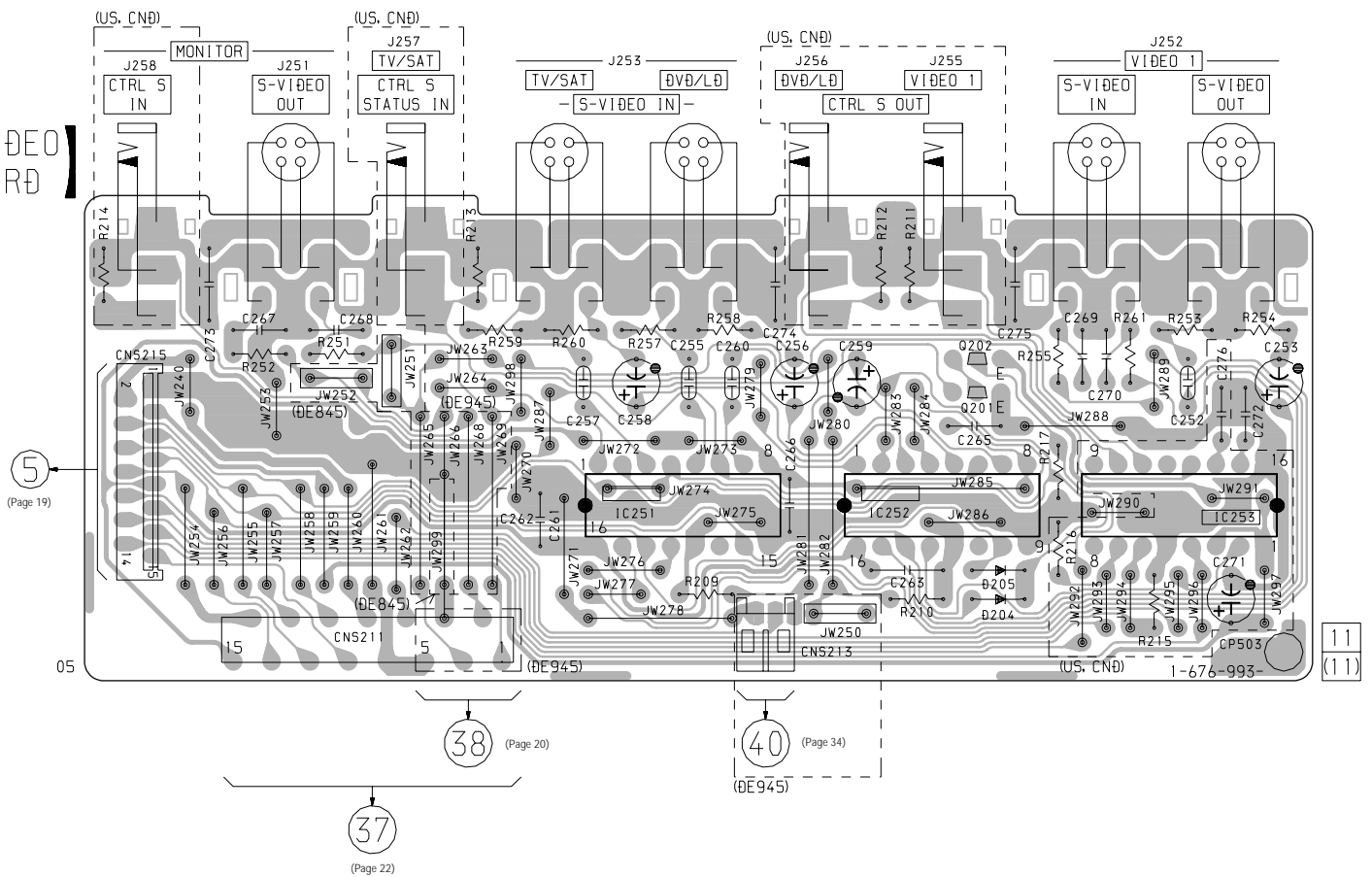




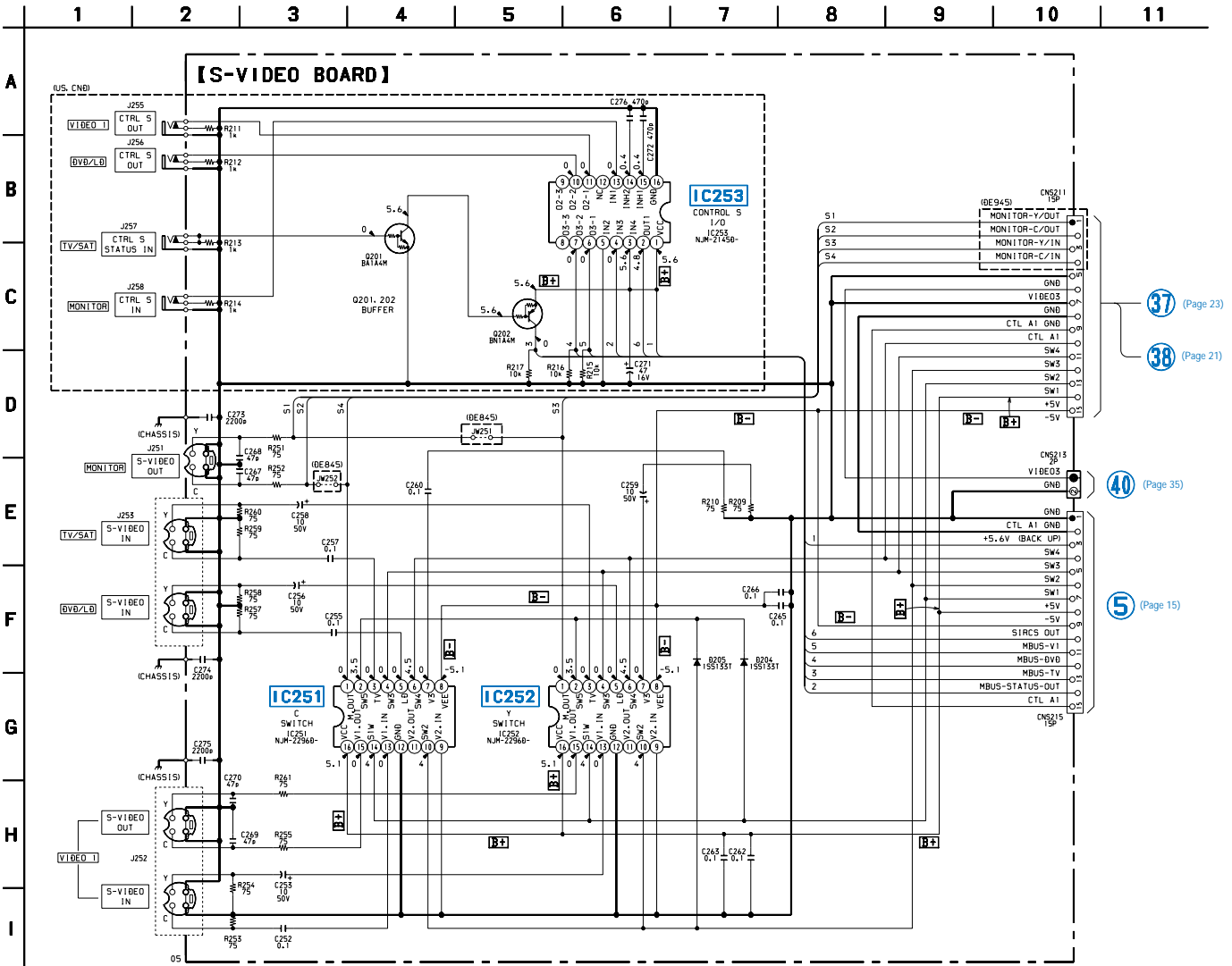


4-16. PRINTED WIRING BOARD - S-VIDEO Board - • See page 14 for Circuit Boards Location.

S-VIDEO BOARD



4-17. SCHEMATIC DIAGRAM – S-VIDEO Board – • See page 42 for IC Block Diagrams.



37 (Page 23)

38 (Page 21)

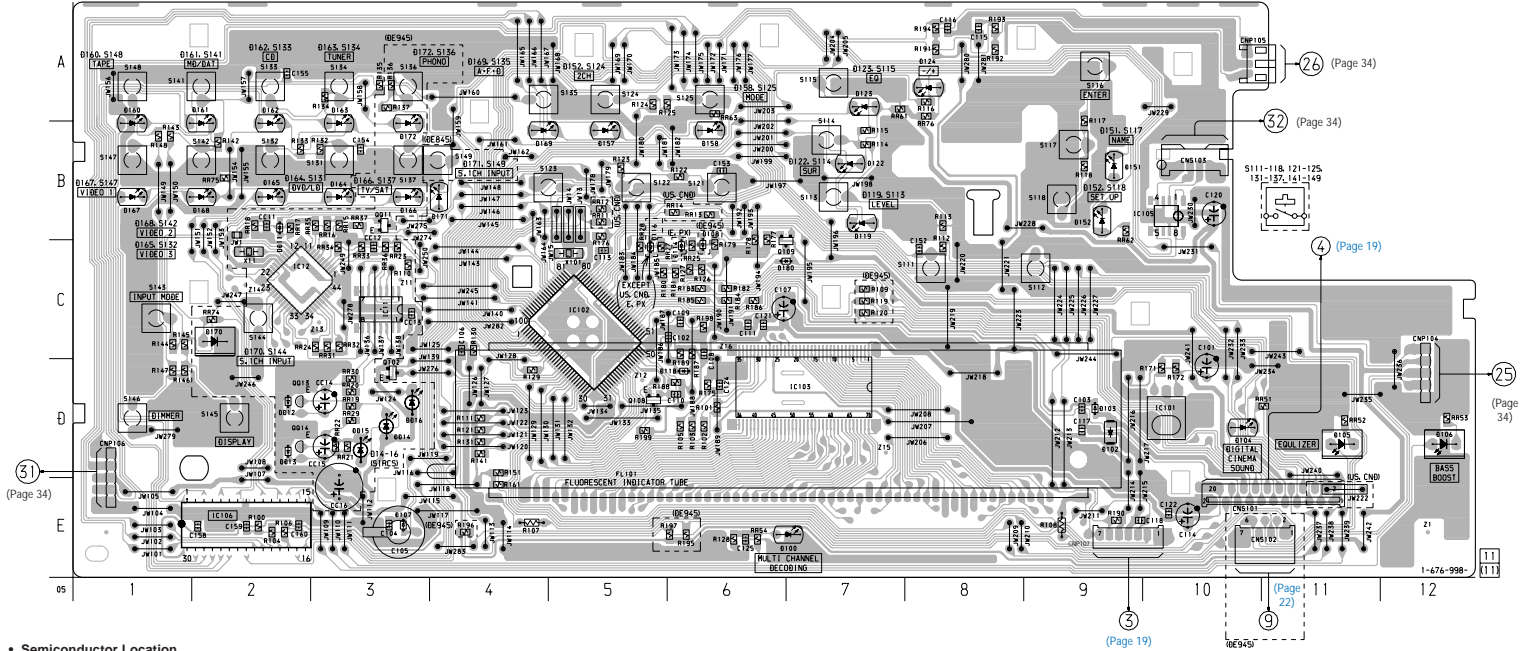
40 (Page 35)

5 (Page 15)

STR-DE845/DE945

4-18. PRINTED WIRING BOARD – DISPLAY Board – • See page 14 for Circuit Boards Location.

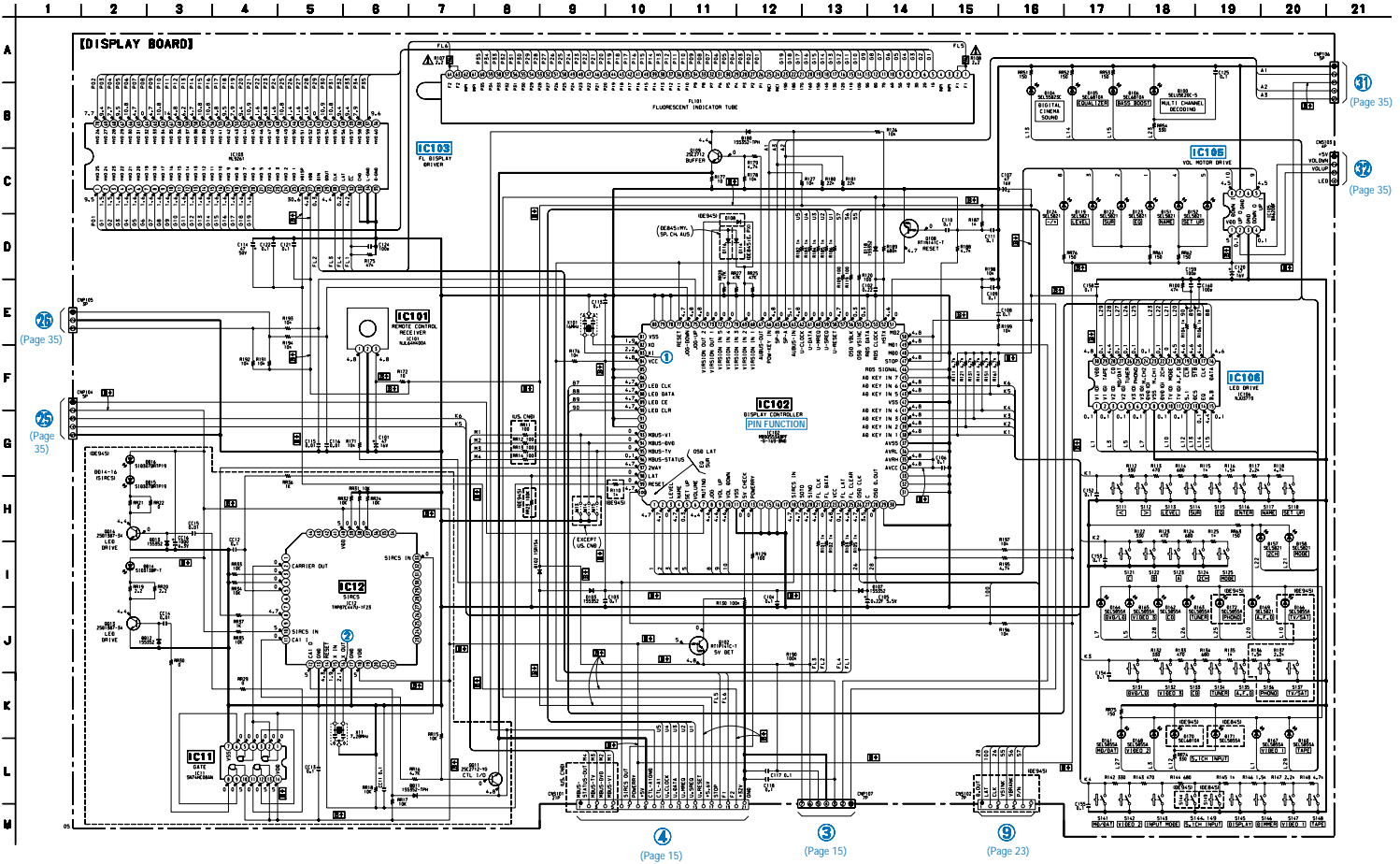
【DISPLAY BOARD】



• Semiconductor Location

Ref. No.	Location	Ref. No.	Location
D100	E-7	D168	B-2
D102	D-9	D169	B-4
D103	D-9	D170	C-2
D104	D-10	D171	B-4
D105	D-11	D172	A-3
D106	D-12	D180	C-6
D107	E-3	DD11	B-2
D108	C-6	DD12	D-2
D114	C-6	DD13	D-2
D116	C-5	DD14	D-3
D118	D-6	DD15	D-3
D119	B-7	DD16	D-3
D122	B-7		
D123	A-7	IC11	C-3
D124	A-8	IC12	C-2
D151	B-9	IC101	D-10
D152	B-9	IC102	C-5
D157	B-5	IC103	D-7
D158	B-6	IC105	B-10
D160	A-1	IC106	E-2
D161	A-2		
D162	A-2	O102	D-3
D163	A-3	O108	D-5
D164	B-3	O109	C-6
D165	B-2	O011	B-3
D166	B-3	O013	D-2
D167	B-1	O014	D-2

4-19. SCHEMATIC DIAGRAM – DISPLAY Board – • See page 42 for Waveforms. • See page 42 for IC Block Diagrams.



以阴影和△标志来识别的零部件在安全方面具有关键性。因此只能以规定号码的零部件来更换。

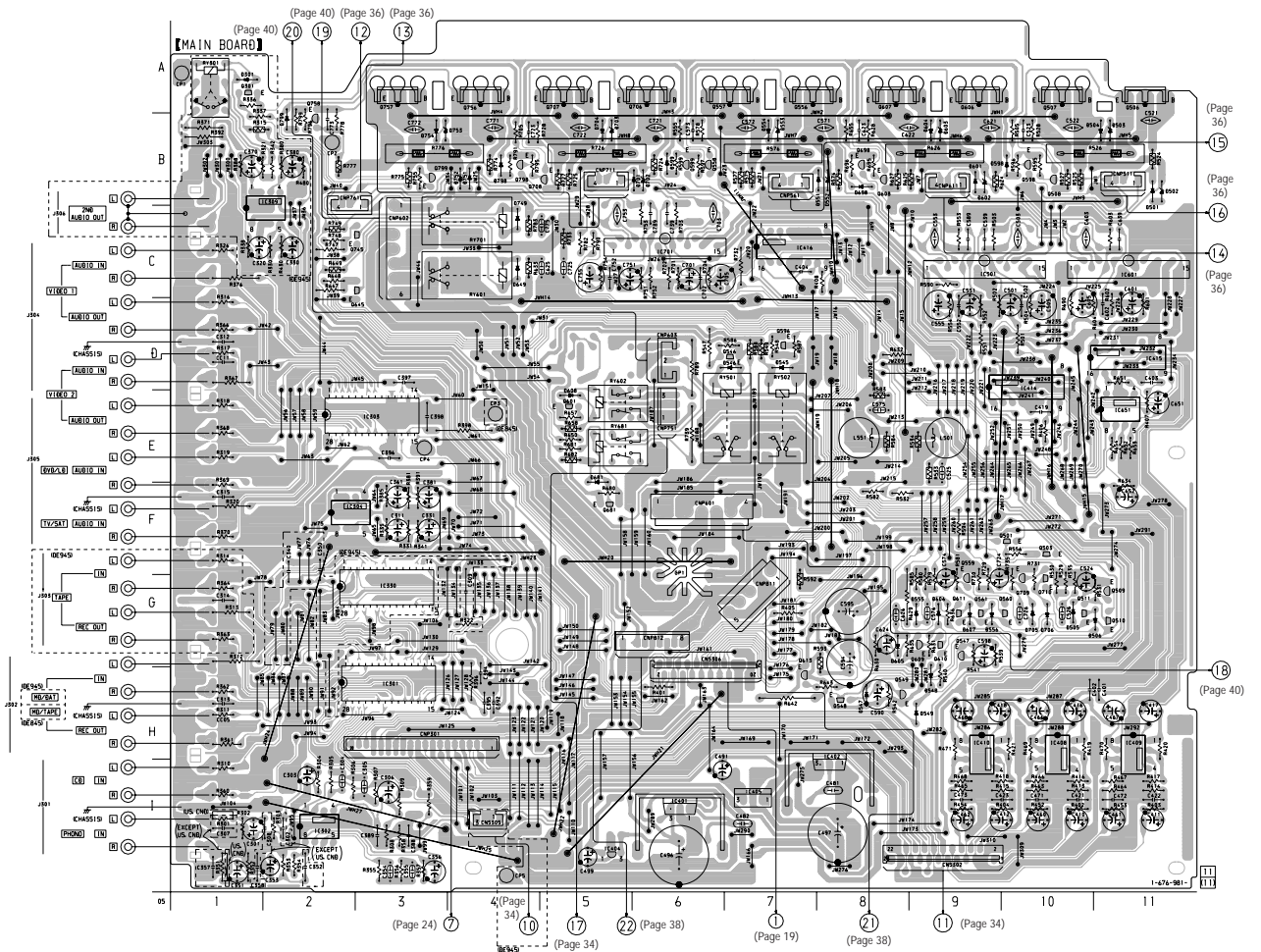
The components identified by mark or dotted line with mark are critical for safety. Replace only with part number specified.

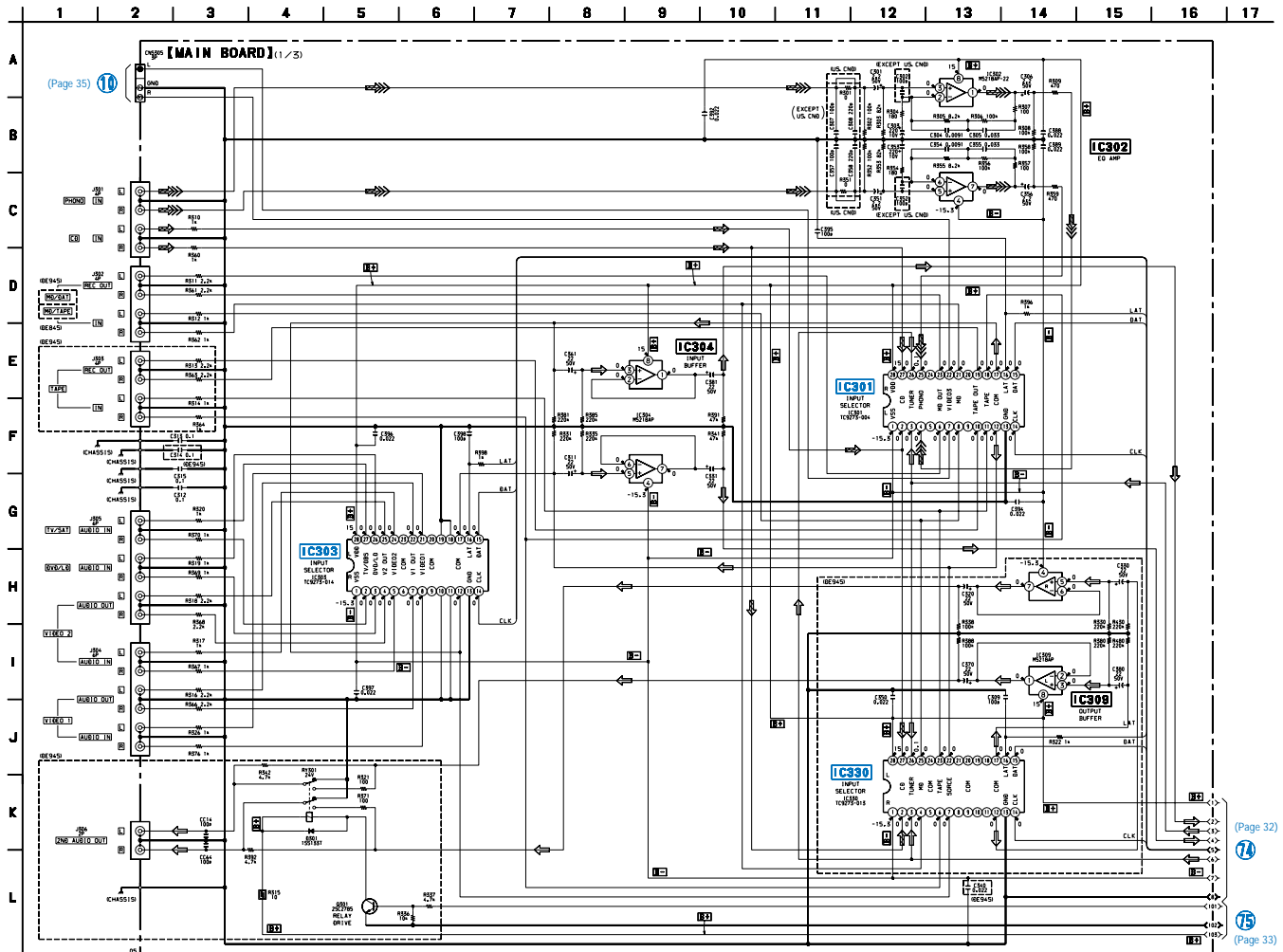
Les composants identifiés par une marque sont critiques pour la sécurité. Ne les remplacer que par une pièce portant le numéro spécifié.

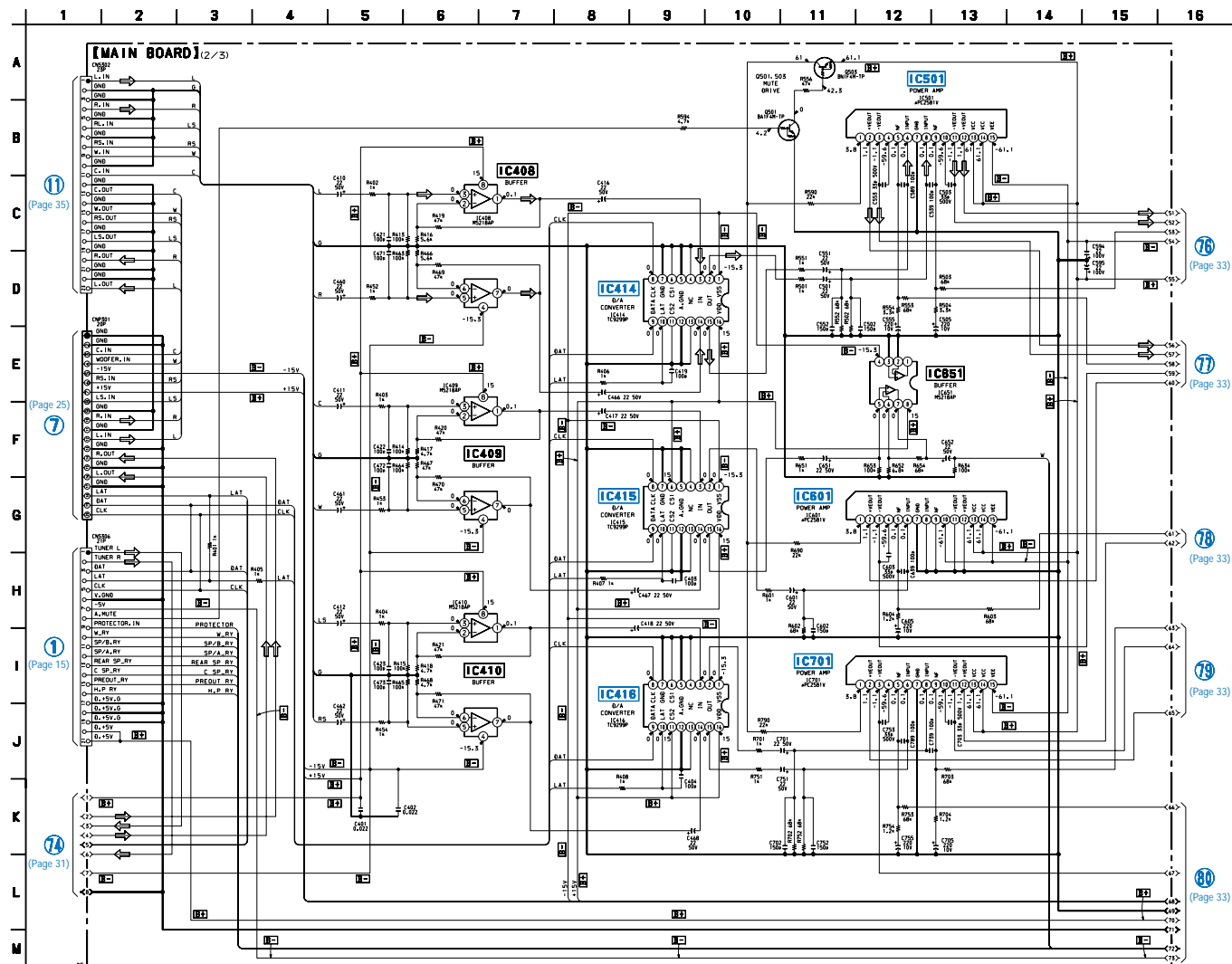
4-20. PRINTED WIRING BOARD – MAIN Board – • See page 14 for Circuit Boards Location.

• Semiconductor Location

Ref. No.	Location	Ref. No.	Location
D301	A-1	IC408	H-10
D501	B-11	IC409	H-11
D502	B-11	IC410	H-9
D503	B-11	IC414	D-10
D504	B-11	IC415	D-11
D505	G-10	IC416	C-7
D506	G-11	IC501	C-9
D545	D-7	IC601	C-11
D546	D-7	IC651	E-11
D547	H-8	IC701	C-6
D548	H-9		
D549	H-9	Q301	A-1
D551	B-8	Q501	F-10
D552	B-8	Q503	F-10
D553	B-7	Q506	A-11
D554	B-7	Q507	A-10
D555	G-9	Q508	B-10
D556	G-9	Q509	G-11
D598	B-10	Q510	G-11
D599	B-6	Q511	G-10
D601	B-9	Q546	D-7
D602	B-9	Q547	G-9
D603	B-9	Q548	H-8
D604	B-9	Q549	H-8
D605	G-8	Q556	A-7
D606	G-9	Q557	A-7
D607	G-9	Q558	B-6
D608	E-5	Q559	G-9
D649	C-4	Q560	G-10
D681	E-5	Q561	G-9
D698	B-8	Q596	D-7
D701	B-6	Q598	B-10
D702	B-6	Q599	B-6
D703	B-5	Q601	E-5
D704	B-5	Q606	A-9
D705	G-10	Q607	A-8
D706	G-10	Q608	B-8
D749	C-4	Q609	G-9
D751	B-4	Q610	G-9
D752	B-4	Q611	G-9
D753	B-3	Q613	H-7
D754	B-3	Q645	C-3
D798	B-4	Q681	F-5
D799	B-2	Q698	B-8
		Q706	A-6
IC301	H-3	Q707	A-5
IC302	I-2	Q708	B-5
IC303	E-3	Q709	G-10
IC304	F-2	Q710	G-10
IC309	C-2	Q745	C-3
IC330	G-3	Q756	A-4
IC330	G-3	Q757	A-3
IC401	I-6	Q757	A-3
IC402	I-8	Q758	B-2
IC404	I-5	Q798	B-4
IC405	I-7	Q799	B-3

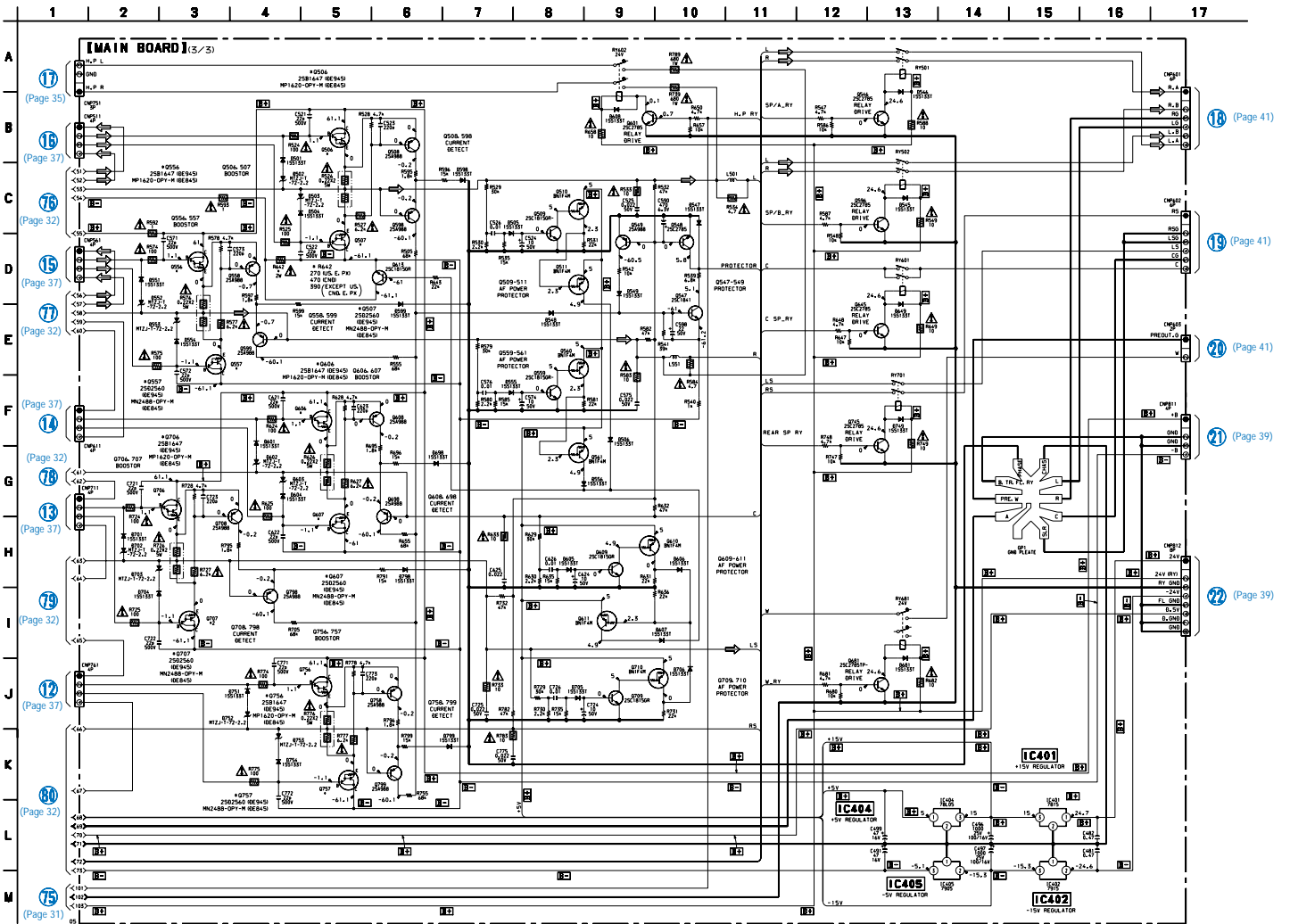








4-23. SCHEMATIC DIAGRAM – MAIN Board (3/3) –



以阴影和△标志来识别的零部件在安全方面具有关键性。因此只能以规定号码的零部件来更换。

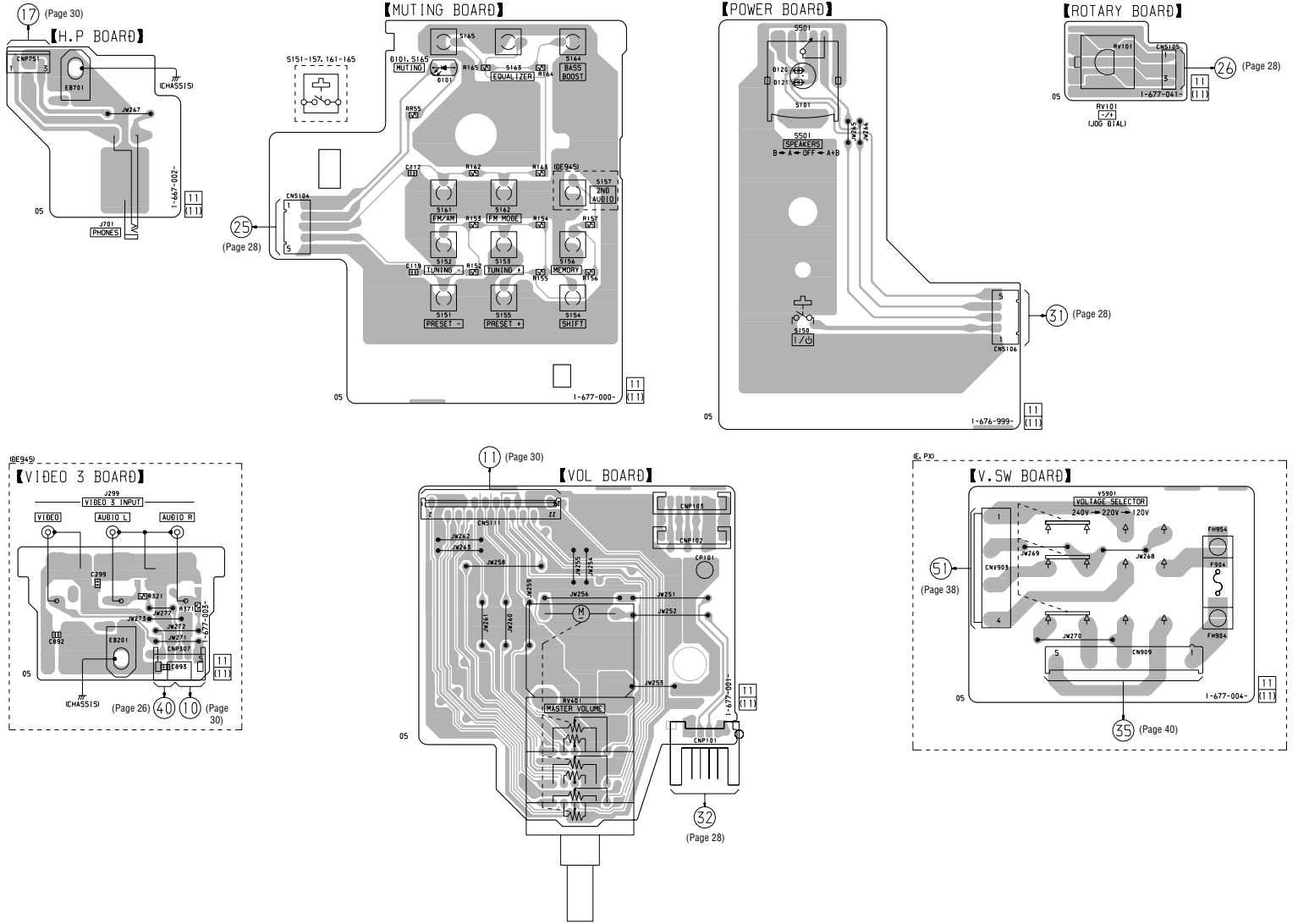
33 33

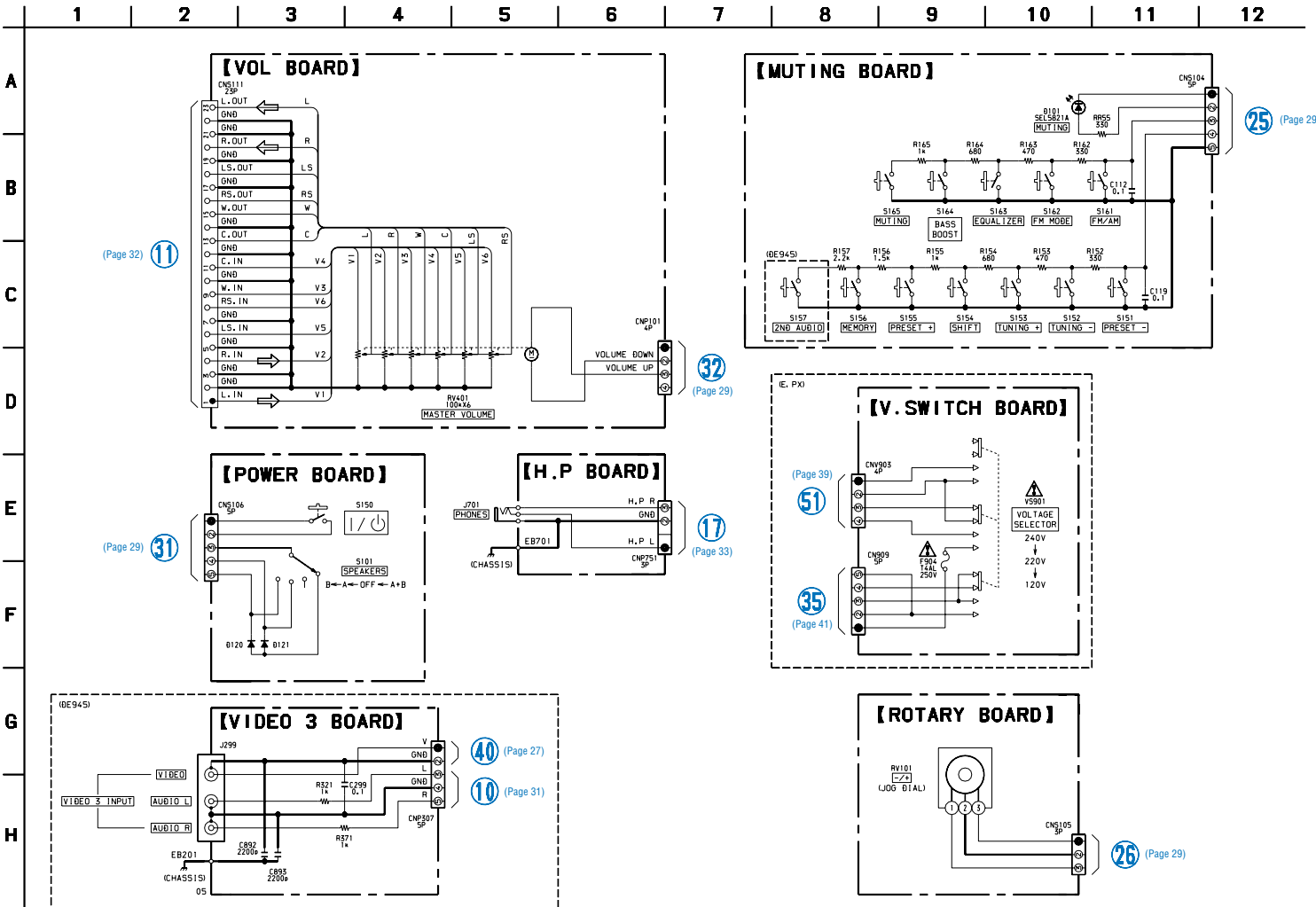
The components identified by mark or dotted line with mark are critical for safety. Replace only with part number specified.

Les composants identifiés par une marque ou une ligne pointillée avec une marque sont critiques pour la sécurité. Ne les remplacer que par une pièce portant le numéro spécifié.

**STR-DE845/DE945**

**4-24. PRINTED WIRING BOARDS – H.P/MUTING/POWER/ROTARY/VIDEO 3 (DE945)/VOL/V. SWITCH (E) Boards –** • See page 14 for Circuit Boards Location.





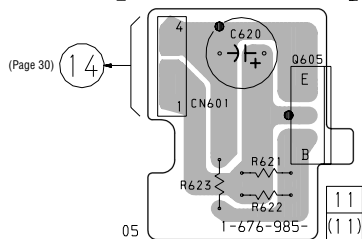
以阴影和△标志来识别的零部件在安全方面具有关键性。因此只能以规定号码的零部件来更换。

The components identified by mark △, or dotted line with mark △, are critical for safety. Replace only with part number specified.

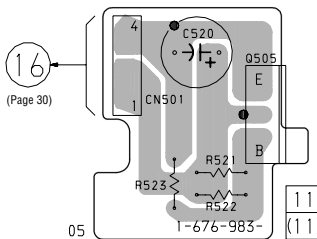
Les composants identifiés par une marque △ sont critiques pour la sécurité. Ne les remplacer que par une pièce portant le numéro spécifié.

4-26. PRINTED WIRING BOARDS – BIAS (C)/BIAS (L)/BIAS (R)/BIAS (LS)/BIAS (RS)/5.1 IN Boards – • See page 14 for Circuit Boards Location.

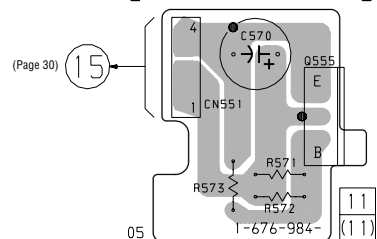
【BIAS (C) BOARD】



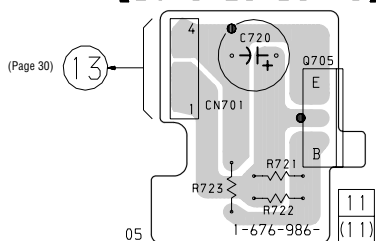
【BIAS (L) BOARD】



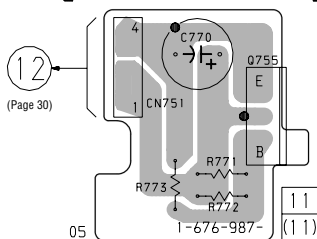
【BIAS (R) BOARD】



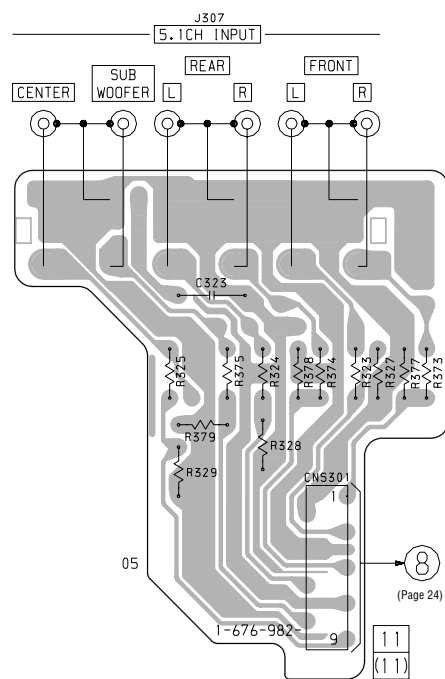
【BIAS (LS) BOARD】



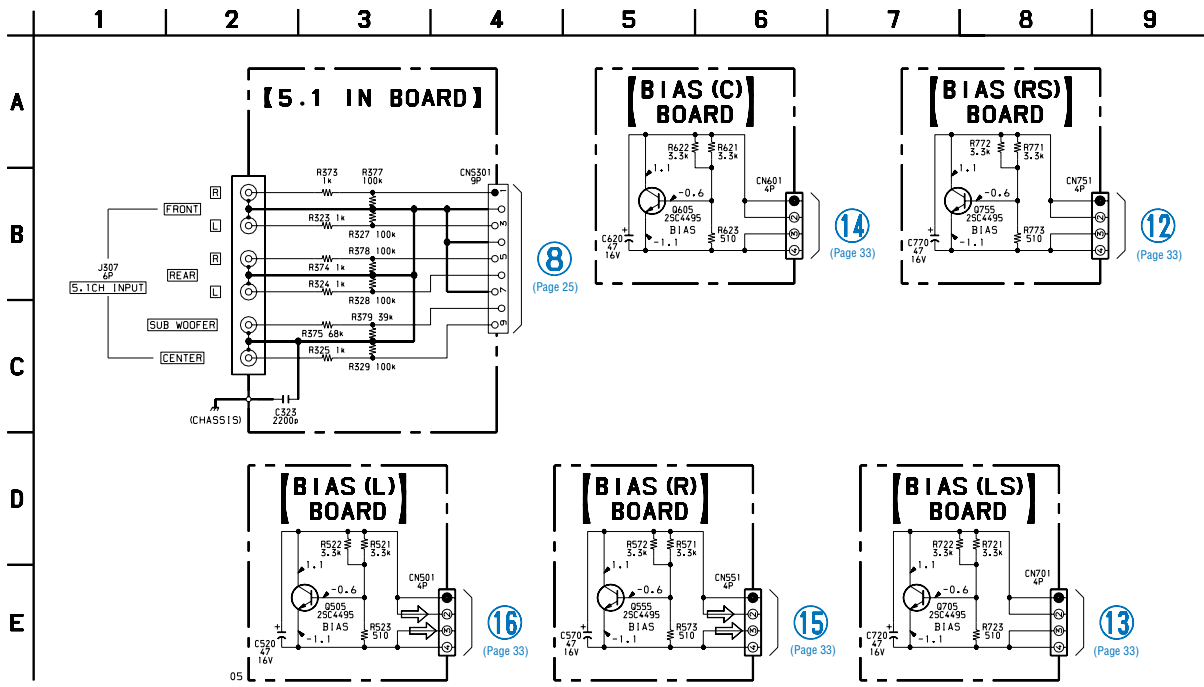
【BIAS (RS) BOARD】



【5.1 IN BOARD】

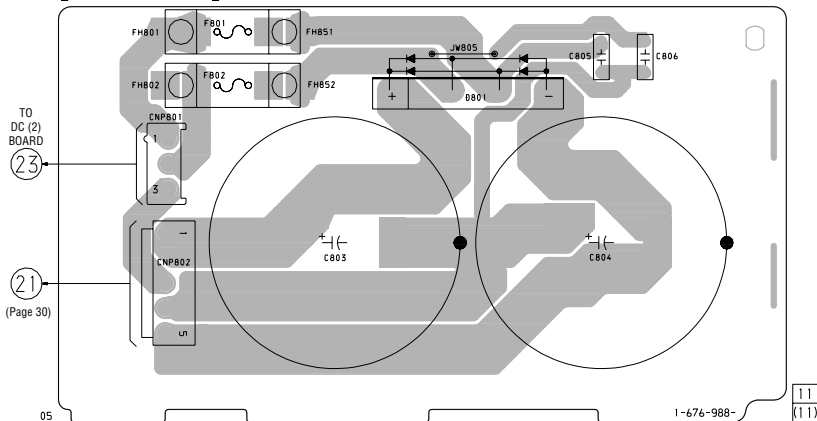


4-27. SCHEMATIC DIAGRAM – BIAS (C)/BIAS (L)/BIAS (R)/BIAS (LS)/BIAS (RS)/5.1 IN Boards –

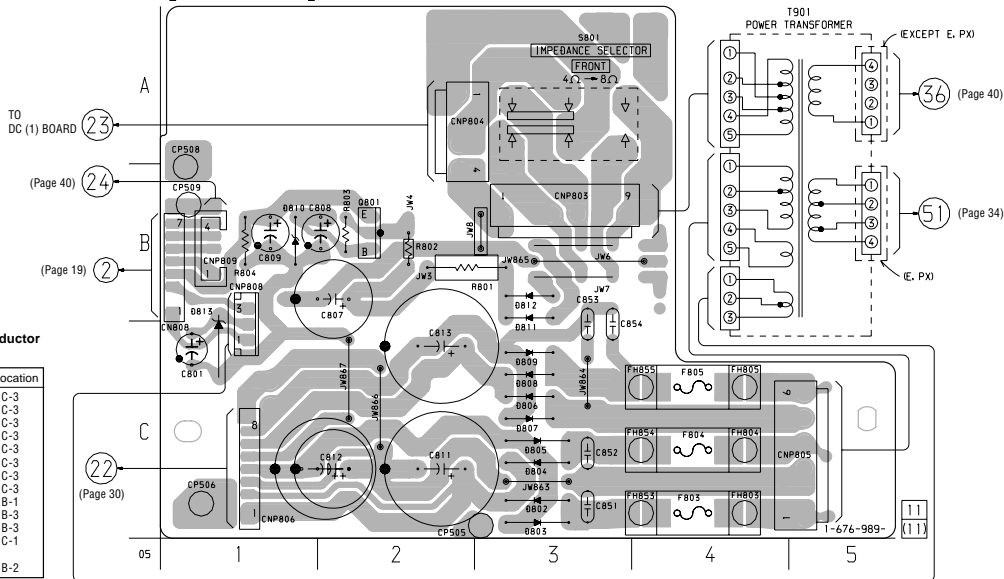


4-28. PRINTED WIRING BOARDS – DC (1)/DC (2) Boards – • See page 14 for Circuit Boards Location.

【DC (1) BOARD】



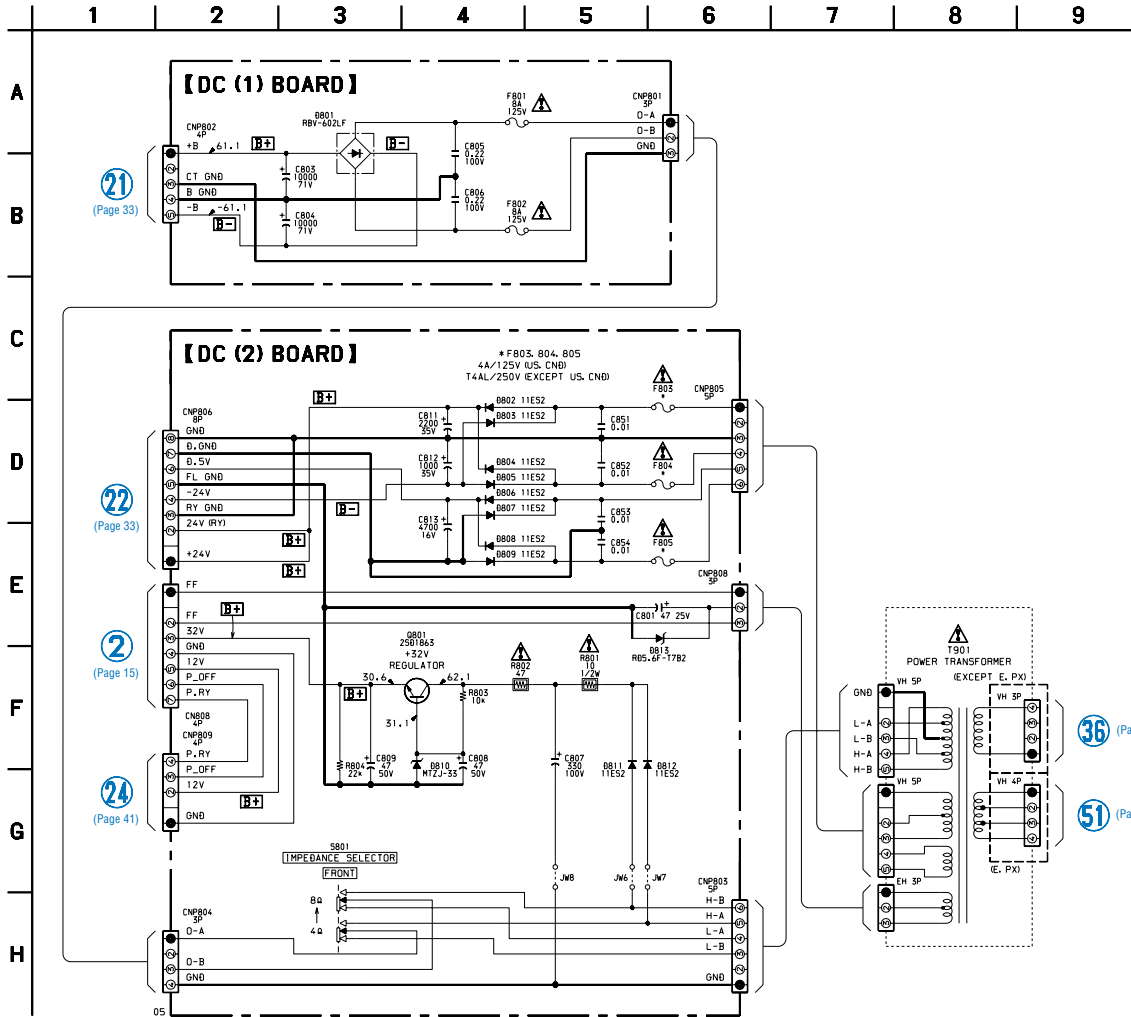
【DC (2) BOARD】



• Semiconductor Location

Ref. No.	Location
D802	C-3
D803	C-3
D804	C-3
D805	C-3
D806	C-3
D807	C-3
D808	C-3
D809	C-3
D810	B-1
D811	B-3
D812	B-3
D813	C-1
Q801	B-2

4-29. SCHEMATIC DIAGRAM – DC (1)/DC (2) Boards –



以阴影和△标志来识别的零部件在安全方面具有关键性。因此只能以规定号码的零部件来更换。

The components identified by mark △, or dotted line with mark △, are critical for safety. Replace only with part number specified.

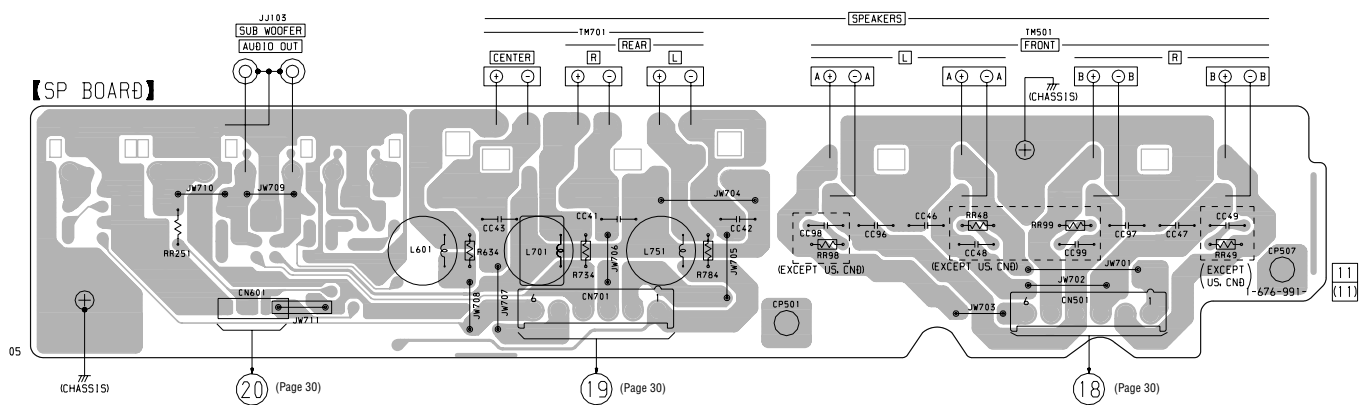
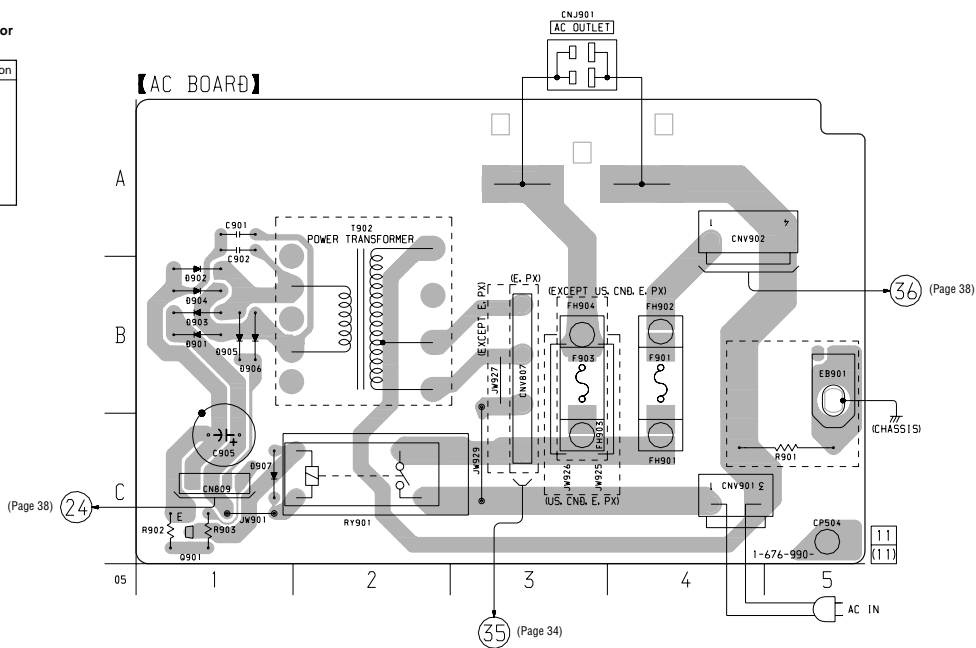
Les composants identifiés par une marque △ sont critiques pour la sécurité. Ne les remplacer que par une pièce portant le numéro spécifié.

STR-DE845/DE945

4-30. PRINTED WIRING BOARDS – AC/SP Boards – • See page 14 for Circuit Boards Location.

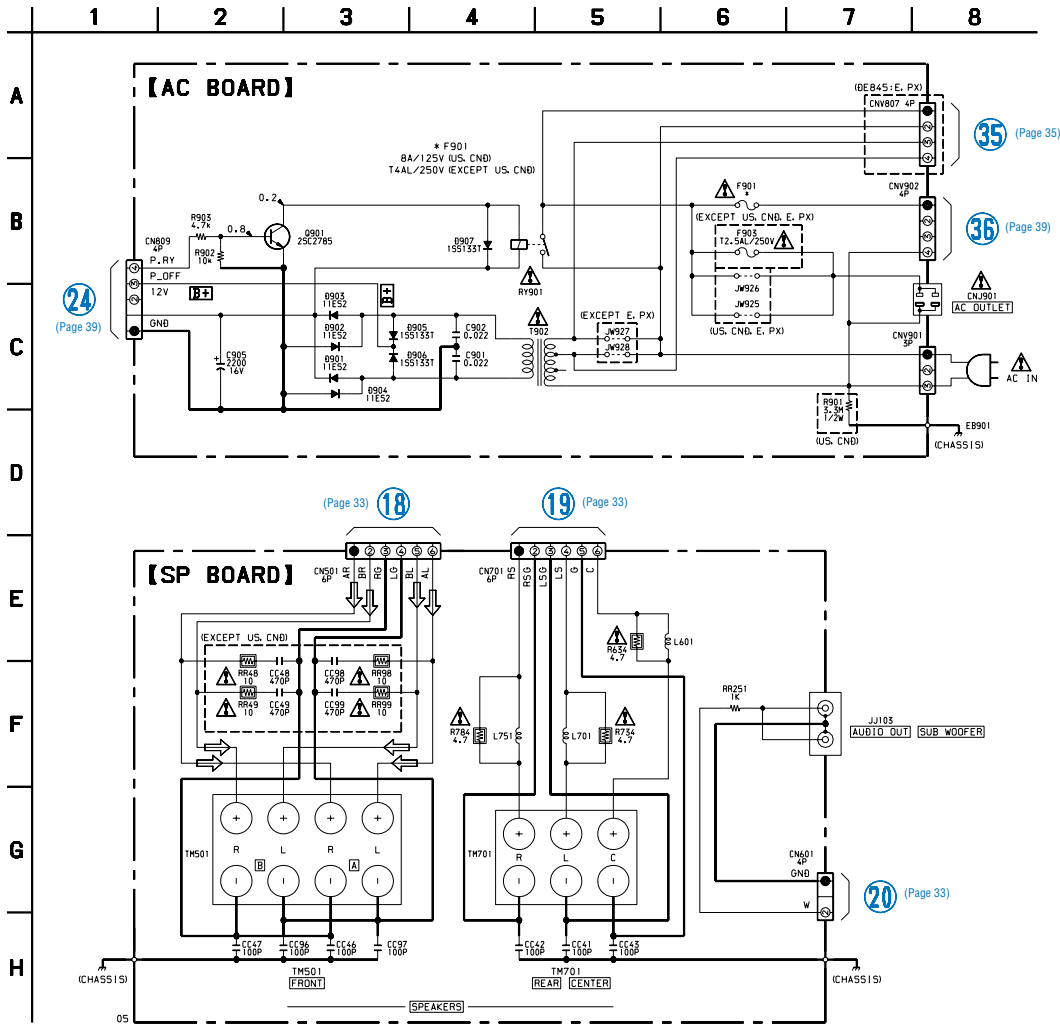
• Semiconductor Location

Ref. No.	Location
D901	B-1
D902	B-1
D903	B-1
D904	B-1
D905	B-1
D906	B-1
D907	C-1
Q901	C-1





4-31. SCHEMATIC DIAGRAM – AC/SP Boards –

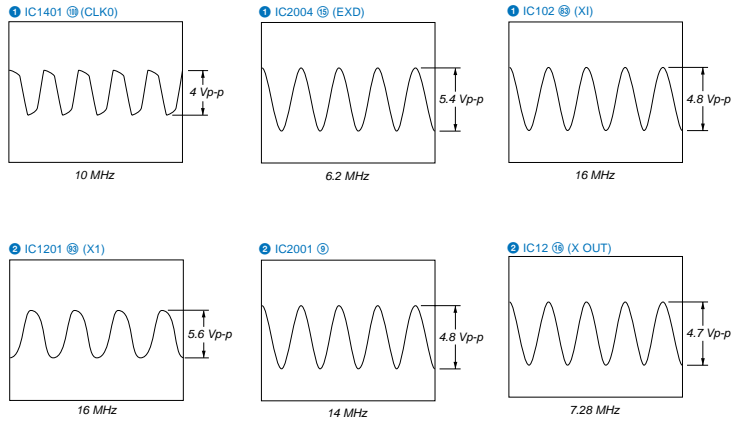


以阴影和△标志来识别的零部件在安全方面具有关键性。因此只能以规定号码的零部件来更换。

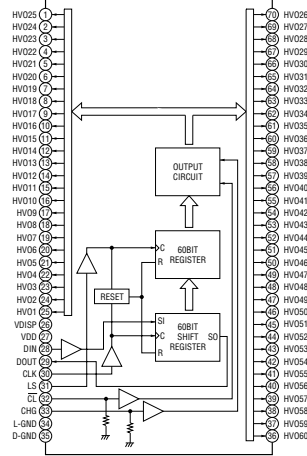
The components identified by mark △, or dotted line with mark △, are critical for safety. Replace only with part number specified.

Les composants identifiés par une marque △ sont critiques pour la sécurité. Ne les remplacer que par une pièce portant le numéro spécifié.

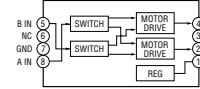
• Waveforms  
- DIGITAL Board -



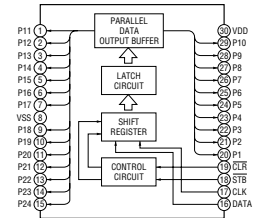
• IC Block Diagrams  
IC103 ML9261MBZ060 (DISPLAY Board)



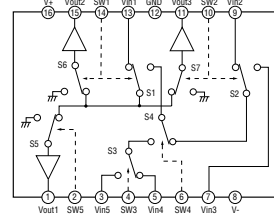
IC105 BA6208F-E2 (DISPLAY Board)



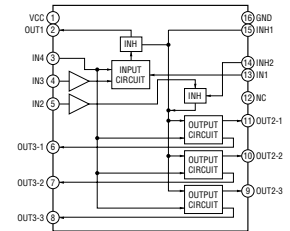
IC106 NJU3719L (DISPLAY Board)



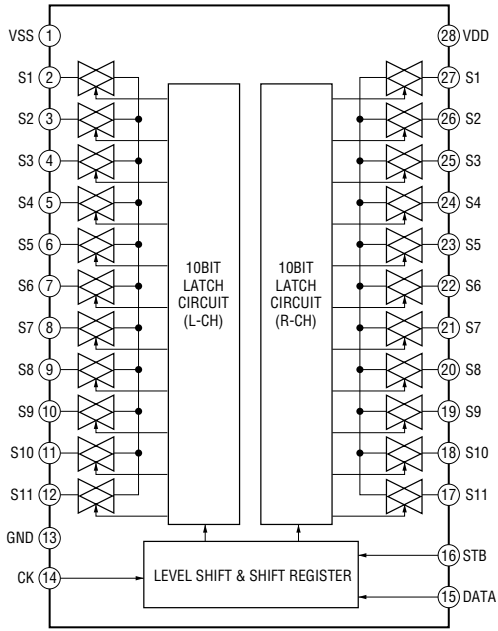
IC201 NJM2296D (VIDEO Board (DE845))  
IC251, 252 NJM2296D (S-VIDEO Board (US, Canadian))  
IC2005 NJM2296D (OSD Board (DE945))



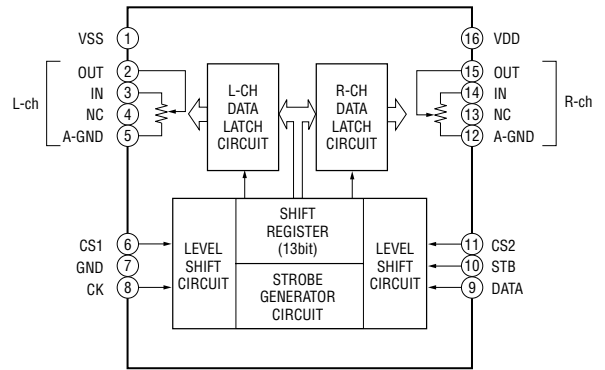
IC253 NJM2145D (S-VIDEO Board (US, Canadian))



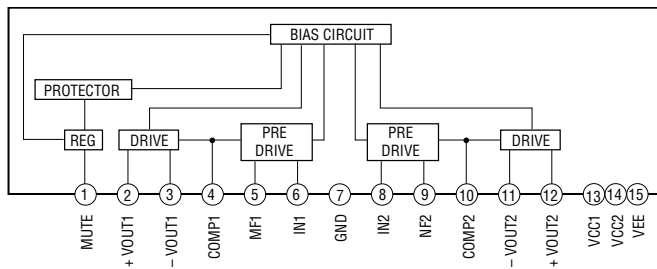
**IC301 TC9273N-004 (MAIN Board)**  
**IC303 TC9273N-014 (MAIN Board)**  
**IC330 TC9273N-013 (MAIN Board (DE945))**  
**IC1502 TC9273N-012 (EL) (AU SW Board)**



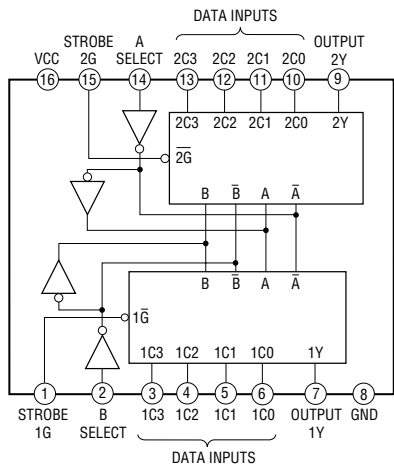
**IC414-416 TC9299P (MAIN Board)**



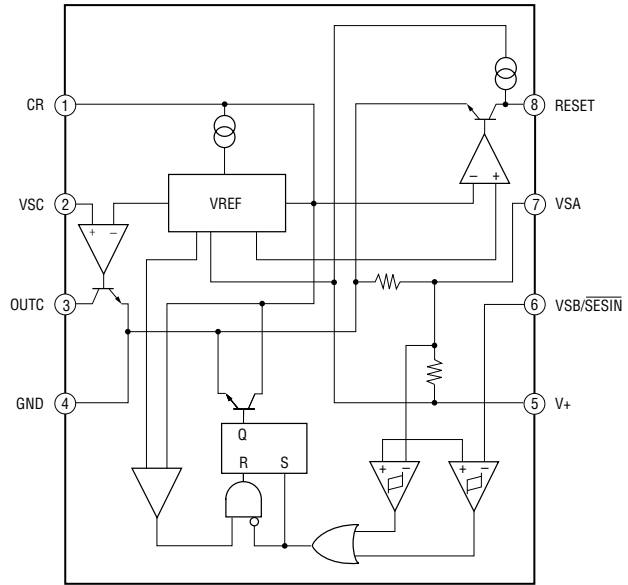
**IC501, 601, 701  $\mu$ PC2581V (MAIN Board)**



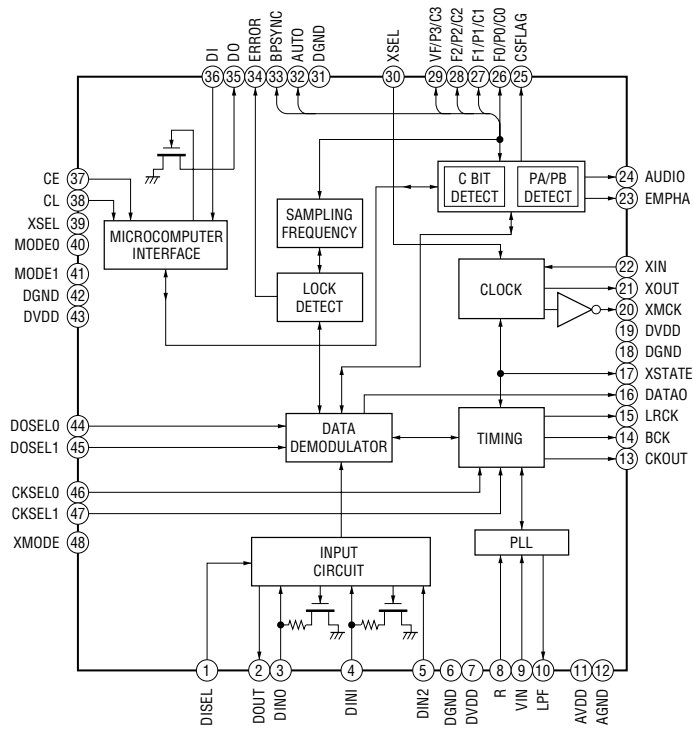
**IC1005 TC74ACT153AF (EL) (DIGITAL Board)**



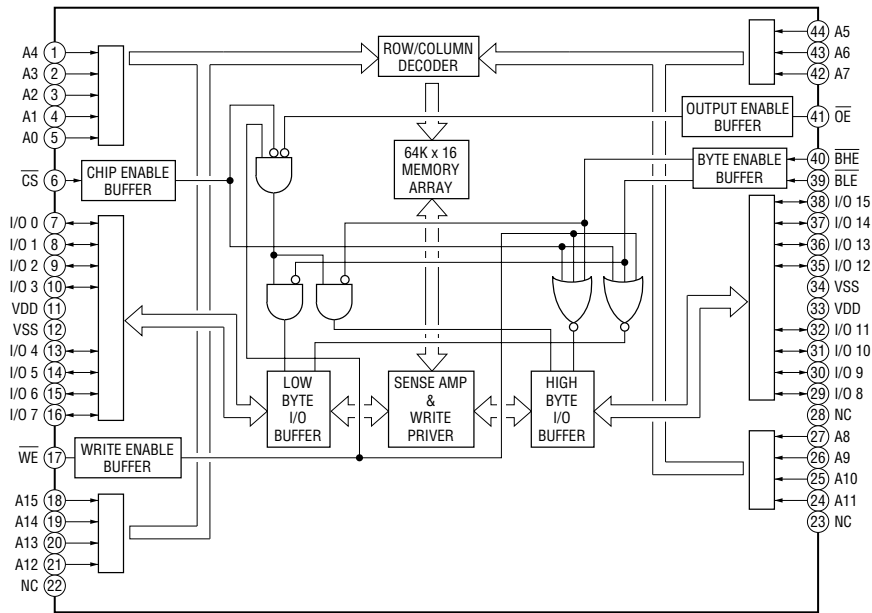
**IC1206 NJM2103M-TE2 (DIGITAL Board)**



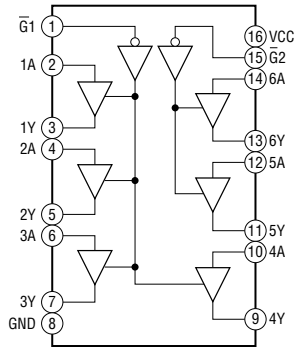
**IC1101 LC89055W-RA8 (DIGITAL Board)**



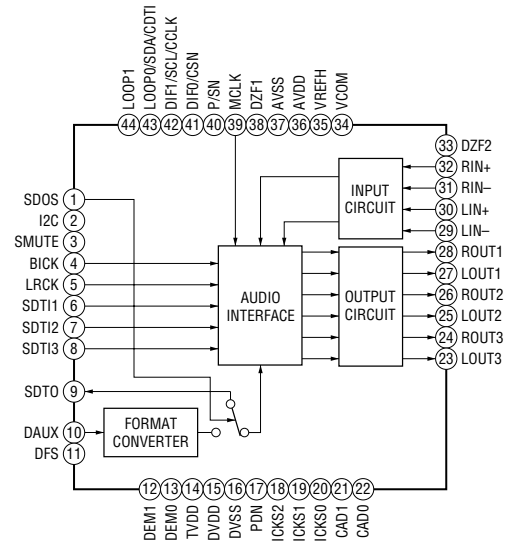
**IC1402 IDT71V016S15PH-AUTL (DIGITAL Board)**



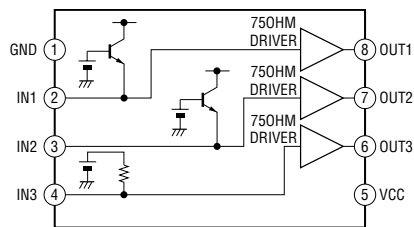
**IC1403 TC74VHC367FT (EL) (DIGITAL Board)**



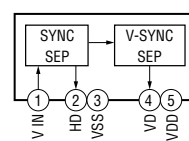
**IC1503 AK4527 (DIGITAL Board)**



**IC2002 BA7622 (OSD Board (DE945))**



**IC2006, 2008 LA7213 (OSD Board (DE945))**



#### 4-32. IC PIN FUNCTION DESCRIPTION

##### • DIGITAL BOARD IC1101 LC89055W-RA8 (AUDIO INTERFACE RECEIVER)

Pin No.	Pin Name	I/O	Description
1	DISEL	I	Input data select terminal (fixed at "L" in this set)
2	DOUT	O	EIAJ data and parity output terminal Not used
3	DIN0	I	Amp integrate data input from the select switch (IC1005)
4	DIN1	O	Amp integrate data input terminal Not used (fixed at "L")
5	DIN2	I	Amp integrate data input terminal Not used (fixed at "L")
6	DGND	—	Ground terminal (digital system)
7	DVDD	—	Power supply terminal (+5V) (digital system)
8	R	I	Input terminal for VCO generator band adjustment
9	VIN	I	Input terminal for VCO self running frequency set
10	LPF	O	External LPF for PLL is connected to this terminal
11	AVDD	—	Power supply terminal (+5V) (analog system)
12	AGND	—	Ground terminal (analog system)
13	CK OUT	O	Clock signal output to the A/D, D/A converter (IC1503)
14	BCK	O	Bit clock signal output to the A/D, D/A converter (IC1503), dolby digital audio decoder (IC1301), and audio DSP (IC1401)
15	LRCK	O	Clock signal output to the A/D, D/A converter (IC1503), dolby digital audio decoder (IC1301), and audio DSP (IC1401)
16	DATAO	O	Audio data output to the dolby digital audio decoder (IC1301)
17	XSTATE	O	Clock status flag output to the system controller (IC1201)
18	DGND	—	Ground terminal (digital system)
19	DVDD	—	Power supply terminal (+5V) (digital system)
20	XMCK	O	Not used (open)
21	XOUT	O	Clock output terminal Not used (open)
22	XIN	I	Clock input from the clock oscillator (IC1404) (12.288MHz)
23	EMPHA	O	Emphasis monitor output terminal "H": on Not used
24	AUDIO	O	Terminal for check
25	CSFLAG	O	Not used (open)
26	F0/P0/C0	O	Terminal for check
27	F1/P1/C1	O	Terminal for check
28	F2/P2/C2	O	Terminal for check
29	F3/P3/C3	O	Terminal for check
30	DVDD	—	Power supply terminal (+5V) (digital system)
31	DGND	—	Ground terminal (digital system)
32	AUTO	O	Not used (open)
33	BPSYNC	O	Not used (open)
34	ERROR	O	Error mute output to the system controller (IC1201)
35	DO	O	C-bit output to the system controller (IC1201)
36	DI	I	Data input from the system controller (IC1201)
37	CE	I	Chip enable signal input from the system controller (IC1201)
38	CLK	I	Clock signal input from the system controller (IC1201)
39	XSEL	I	Clock select terminal (fixed at "H" in this set)
40	MODE0	I	Mode 0 input terminal (fixed at "L" in this set)
41	MODE1	I	Mode 1 input terminal (fixed at "L" in this set)
42	DGND	—	Ground terminal (digital system)
43	DVDD	—	Power supply terminal (+5V) (digital system)

Pin No.	Pin Name	I/O	Description
44	DOSEL0	O	Data select 0 output terminal (fixed at "L" in this set)
45	DOSEL1	O	Data select 1 output terminal (fixed at "L" in this set)
46	CKSEL0	I	System clock select 0 input terminal (fixed at "L" in this set)
47	CKSEL1	I	System clock select 1 input terminal (fixed at "L" in this set)
48	XMODE	I	Reset signal input from the system controller (IC1201)

• **DIGITAL BOARD IC1201 MB90573PFV-G-296-BND (SYSTEM CONTROLLER)**

Pin No.	Pin Name	I/O	Description
1	SCLK	O	Serial clock signal output to the dolby digital audio decoder (IC1301)
2	SI	I	Serial data input from the dolby digital audio decoder (IC1301)
3	SO	O	Serial data output to the dolby digital audio decoder (IC1301)
4	CS	O	Chip select signal output to the dolby digital audio decoder (IC1301)
5	IC	O	Reset signal output to the dolby digital audio decoder (IC1301)
6	DSIG	I	Data detect signal input from the digital audio interface receiver (IC1101)
7	NC	O	Not used (fixed at "L")
8	VCC	—	Power supply terminal (+5V)
9	SIN0	I	UART signal input from the display controller (IC102)
10	SOT0	O	UART signal output to the display controller (IC102)
11, 12	NC	O	Not used (fixed at "L")
13	XHDWR	O	Data write output to the audio DSP (IC1401)
14	XHDRD	O	Data read output terminal Not used (fixed at "L")
15	SOD	I	Serial data input from the audio DSP (IC1401)
16	XHDCS	O	Chip select signal output to the audio DSP (IC1401)
17 to 24	HD7 to HD0	O	Two-way data bus with the audio DSP (IC1401)
25	HA0	O	Address data output to the audio DSP (IC1401)
26	XRST	O	Reset signal output to the audio DSP (IC1401)
27	HRDY	O	Ready signal output to the audio DSP (IC1401)
28	CS	O	Chip select signal output to the A/D, D/A converter (IC1503)
29	CCLK	O	Clock signal output to the A/D, D/A converter (IC1503)
30	CDTI	I	Data input from the A/D, D/A converter (IC1503)
31	SMUTE	O	Soft mute signal output to the A/D, D/A converter (IC1503)
32	PD	O	Reset signal output to the A/D, D/A converter (IC1503)
33	VSS	—	Ground terminal
34	C	—	External power regulator capacitor is connected terminal
35	96kHz	O	Dfs signal output to the A/D, D/A converter (IC1503)
36, 37	NC	I	Not used (fixed at "L")
38	DVCC	—	Power supply terminal (+5V) (digital system)
39	DVSS	—	Ground terminal (digital system)
40, 41	NC	O	Not used (fixed at "L")
42	AVCC	—	Power supply terminal (+5V) (analog system)
43	AVR+	—	Power supply terminal (+5V)
44	AVR-	—	Ground terminal
45	AVSS	—	Ground terminal (analog system)
46	EVSTB	O	Serial strobe output to the select switch circuit
47	EVDATA	O	Serial data output to the select switch circuit
48	EVCLK	O	Serial clock output to the select switch circuit
49	DISPMR	I	Display master request signal input from the display controller (IC102)
50	DISPDATA	I	Display master data input from the display controller (IC102)
51	SLVDTA/REQ	O	Slave data/request output to the display controller (IC102)
52	DISPCLK	I	Display master clock input from the display controller (IC102)
53	NC	I	Not used (fixed at "L")
54	VCC	—	Power supply terminal (+5V)
55	SLAT	O	Tuner latch signal output to the FM/AM tuner unit (TM301)



Pin No.	Pin Name	I/O	Description
56	SDATA	O	Tuner data output to the FM/AM tuner unit (TM301)
57	SCLK	O	Tuner clock signal output to the FM/AM tuner unit (TM301)
58	DATA IN	I	PLL data input from the FM/AM tuner unit (TM301)
59	AUSTOP	I	Tuned display detection signal input from the FM/AM tuner unit (TM301)
60	STEREO	I	Stereo detection signal input from the FM/AM tuner unit (TM301)
61, 62	NC	I	Not used (fixed at "L")
63	VSS	—	Ground terminal
64	NC	I	Not used (fixed at "L")
65	TH	I	Protect signal input terminal (fixed at "L" in this set)
66	PROTEC	I	Over load detect signal input from the protect circuit "L": protect detect
67	STOP	I	AC power check signal input from the power control (IC1206)
68 to 71	NC	I	Not used (fixed at "L")
72	VIDEO (SW4)	O	Video select (SW4) signal output to the video select switch (IC251, 252)
73	X1A	—	Not used (open)
74	X0A	—	Not used (open)
75	VIDEO (SW3)	O	Video select (SW3) signal output to the video select switch (IC251, 252)
76	VIDEO (SW2)	O	Video select (SW2) signal output to the video select switch (IC251, 252)
77	VIDEO (SW1)	O	Video select (SW1) signal output to the video select switch (IC251, 252)
78	HI-FI/QS	I	Model check detection input terminal "L": HI-FI "H": QS
79	TAPE NO/YES	I	Tape no/yes signal detection input terminal "L": tape yes "H": tape no
80	VIDEO 3 NO/YES	I	VIDEO 3 no/yes signal detection input terminal "L": VIDEO 3 yes "H": VIDEO 3 no
81	DTS NO/YES	I	DTS no/yes signal detection input terminal "L": DTS yes "H": DTS no
82	ACMUTE	O	Muting control signal output to the power amp (IC501, 601, 701)
83	96K NO/YES	I	96K no/yes signal detection input terminal Not used
84	TMUTE	O	Tuner muting control signal output to the FM/AM tuner unit (TM301) "H": muting
85	SMUTE	O	Surround muting control signal output to the AF amp (IC1508, 1509, 1510)
86	HSTX	—	Hardware standby terminal (fixed at "H" in this set)
87	MD2	O	MD2 signal output to the display controller (IC102)
88	MD1	O	MD1 signal output terminal (fixed at "H" in this set)
89	MD0	O	MD0 signal output to the display controller (IC102)
90	REST	I	Reset signal input from the display controller (IC102)
91	VSS	—	Ground terminal
92	XO	O	Main system clock output terminal (16MHz)
93	XI	I	Main system clock input terminal (16MHz)
94	VCC	—	Power supply terminal (+5V)
95, 96	PO0, PO1	I	Rewrite terminal for the flash memory Not used (fixed at "L")
97	RY-4/8	O	4/8 relay drive signal out put terminal Not used (open)
98	RY-PRE	O	Pre amp relay drive signal output terminal "H": relay on
99	RY-FRONT/A	O	Front speaker A relay drive signal output terminal "H": relay on
100	RY-FRONT/B	O	Front speaker B relay drive signal output terminal "H": relay on
101	RY-CENTER	O	Center speaker relay drive signal output terminal "H": relay on
102	RY-REAR	O	Rear speaker relay drive signal output terminal "H": relay on
103	RY-WOOFER	O	Rear woofer relay drive signal output terminal "H": relay on
104	RY-HP	O	Headphone relay drive signal output terminal "H": relay on
105	RY-POWER	O	Power relay drive signal output terminal "H": relay on
106	ANG/DIG	O	Analog/digital select signal output terminal "L": analog "H": digital

Pin No.	Pin Name	I/O	Description
107	DIG-INB	O	Digital input select B control signal output to the select switch (IC1005)
108	DIG-INA	O	Digital input select A control signal output to the select switch (IC1005)
109	XMODE	O	Reset signal output to the digital audio interface receiver (IC1101)
110	CL	O	Clock signal output to the digital audio interface receiver (IC1101)
111	CE	O	Chip enable signal output to the digital audio interface receiver (IC1101)
112	DI	O	Data output to the digital audio interface receiver (IC1101)
113	DO	I	Data input from the digital audio interface receiver (IC1101)
114	ERROR	I	Error signal input from the digital audio interface receiver (IC1101)
115 to 111	NC	I	Not used (fixed at "L")
118	XSTATE	I	Clock status flag signal input from the digital audio interface receiver (IC1101)
119	VSS	—	Ground terminal
120	NC	I	Not used (fixed at "L")

• DIGITAL BOARD IC1401 CXD2712R (AUDIO DSP)

Pin No.	Pin Name	I/O	Description
1	VSS3	—	Ground terminal
2 to 5	SOA to SOD	O	Serial data output to the A/D, D/A converter
6, 7	ECJ0, ECJ1	I	Conditional jump input terminal (fixed at “L” in this set)
8	NC	O	Not used (fixed at “L”)
9	XHDWR	I	Write data input from the system controller (IC1201)
10	XHDRD	I	Read data input terminal Not used (fixed at “H”)
11	VSS4	—	Ground terminal
12	VDD2	—	Power supply terminal (+3.3V)
13	HRDY	O	Ready signal output to the system controller (IC1201)
14	XHDCS	I	Chip select signal input from the system controller (IC1201)
15	HA0	I	Address signal input from the system controller (IC1201)
16 to 20	HD0 to HD4	I/O	Two-way data bus with the system controller (IC1201)
21	VSS5	—	Ground terminal
22	VDD3	—	Power supply terminal (+3.3V)
23 to 25	HD5 to HD7	I/O	Two-way data bus with the system controller (IC1201)
26	$\overline{\text{XRST}}$	I	Reset signal input from the system controller (IC1201) “L”: reset
27 to 30	FGP0 to FGP3	I/O	Data output terminal for the test
31	VSS6	—	Ground terminal
32 to 40	ED0 to ED8	I/O	Two-way data bus with external RAM Not used (fixed at “L”)
41	VSS7	—	Ground terminal
42	VDD4	—	Power supply terminal (+3.3V)
43 to 49	ED9 to ED15	I/O	Two-way data bus with external RAM Not used (fixed at “L”)
50	TEST	I	Test terminal (Normally: fixed at “L”)
51	VSS8	—	Ground terminal
52	VDD5	—	Power supply terminal (+3.3V)
53 to 60	ED16 to ED23	I/O	Two-way data bus with the S-RAM (IC1402)
61	VSS9	—	Ground terminal
62 to 69	ED24 to ED31	I/O	Two-way data bus with the S-RAM (IC1402)
70	XOE	O	Output enable signal output to the S-RAM (IC1402)
71	VSS10	—	Ground terminal
72	VDD6	—	Power supply terminal (+3.3V)
73	CAS	O	External RAM column address strobe signal output terminal Not used
74	XWE	O	Write enable signal output to the S-RAM (IC1402)
75	RAS	O	External RAM row address strobe signal output terminal Not used
76 to 80	EA0 to EA4	O	Address signal output to the S-RAM (IC1402) or test data input from the S-RAM (IC1402)
81	VSS11	—	Ground terminal
82	VDD7	—	Power supply terminal (+3.3V)
83 to 89	E5 to EA11	O	Address signal output to the S-RAM (IC1402) or test data input from the S-RAM (IC1402)
90	EA12	O	Address signal output to the S-RAM (IC1402)
91	VSS0	—	Ground terminal
92 to 94	EA13 to EA15	O	Address signal output to the S-RAM (IC1402)
95	EA16	O	Address signal output terminal (for check)
96	TSTA	I	Test data input terminal (Normally: fixed at “L”)
97	PLDIVF	I	PLL input frequency select terminal “L”: 256fs “H”: 128fs (fixed at “L” in this set)
98	PLDIVB	O	PLL input frequency select terminal “L”: 768fs “H”: 1024fs (fixed at “H” in this set)

Pin No.	Pin Name	I/O	Description
99	CLKI	I	Master clock signal input terminal (10MHz)
100	CLKO	O	Master clock signal output terminal (10MHz)
101	VSS1	—	Ground terminal
102	VDD0	—	Power supply terminal (+3.3V)
103	AVSS	—	Ground terminal (for PLL cell)
104	AVDD	—	Power supply terminal (+3.3V) (for PLL cell)
105	PLLCK	I/O	PLL output/test clock signal input terminal (for check)
106	XPLEN	I	PLL cell oscillation enable signal input terminal “L”: oscillation enable (fixed at “L” in this set)
107	TST	I	Test data input terminal (Normally: fixed at “L”)
108	LRCT	I	Frequency counter input terminal (fixed at “L” in this set)
109	LROUT	O	Clock driver signal output terminal (for check)
110	BKOUT	O	Clock driver signal output terminal (for check)
111	VSS2	—	Ground terminal
112	VDD1	—	Power supply terminal (+3.3V)
113	BCK0	I	Clock 0 signal input from the digital audio interface receiver (IC1101)
114	BCK1	I	Clock 1 signal input from the digital audio interface receiver (IC1101)
115	LRCK0	I	Clock 0 signal input from the digital audio interface receiver (IC1101)
116	LRCK1	I	Clock 1 signal input from the digital audio interface receiver (IC1101)
117 to 120	SIA to SID	—	Serial data input from the dolby digital audio decoder (IC1301)

• DIGITAL BOARD IC1503 AK4527 (A/D, D/A CONVERTER)

Pin No.	Pin Name	I/O	Description
1	SDOS	I	Data source select terminal "L": internal ADC output "H": DAUX input
2	I2C	I	Control mode select terminal "L": 3-wire serial "H": I2C bus
3	SMUTE	I	Soft mute signal input from the system controller (IC1201)
4	BCLK	I	Audio serial data clock signal input from the digital audio interface receiver (IC1101)
5	LRCK	I	Input channel clock signal input from the digital audio interface receiver (IC1101)
6	SDT1	I	DAC1 audio serial data input from the audio DSP (IC1401)
7	SDT2	I	DAC2 audio serial data input from the audio DSP (IC1401)
8	SDT3	I	DAC3 audio serial data input from the audio DSP (IC1401)
9	SDTO	O	audio serial data output to the dolby digital audio decoder (IC1301)
10	DAUX	I	Audio serial data input terminal Not used (fixed at "L")
11	DFS	I	Double speed sampling mode signal input from the system controller (IC1201) "L": normal speed "H": double speed
12, 13	DEM1, DEM0	I	De-emphasis signal input terminal Not used (fixed at "L")
14	TVDD	—	Power supply terminal (+5V) (for output buffer )
15	D5V	—	Power supply terminal (+5V) (digital system)
16	DGND	—	Ground terminal (digital system)
17	PD	I	Power down and reset signal input terminal "L": power down and reset
18	ICKS2	I	Clock select 2 input terminal (fixed at "L" in this set)
19	ICKS1	I	Clock select 1 input terminal (fixed at "H" in this set)
20	ICKS0	I	Clock select 0 input terminal (fixed at "H" in this set)
21	CAD1	I	Chip address 1 input terminal Used during the serial control mode (fixed at "L" in this set)
22	CAD0	I	Chip address 0 input terminal Used during the serial control mode (fixed at "L" in this set)
23	LOUT3	O	L-ch 3 analog output to the select switch (IC1502)
24	ROUT3	O	R-ch 3 analog output to the select switch (IC1502)
25	LOUT2	O	L-ch 2 analog output to the select switch (IC1502)
26	ROUT2	O	R-ch 2 analog output to the select switch (IC1502)
27	LOUT1	O	L-ch 1 analog output to the select switch (IC1502)
28	ROUT1	O	R-ch 1 analog output to the select switch (IC1502)
29	LIN-	I	L-ch analog negative input from the line amp (IC1504)
30	LIN+	I	L-ch analog positive input from the line amp (IC1504)
31	RIN-	I	R-ch analog negative input from the line amp (IC1504)
32	RIN+	I	R-ch analog positive input from the line amp (IC1504)
33	DZF2	O	Zero input detect 2 terminal Not used (open)
34	VCOM	O	Common voltage output terminal Large external capacitor is used to reduce power supply noise
35	VREFH	I	Positive voltage reference input terminal (+5V)
36	A5V	—	Power supply terminal (+5V) (analog system)
37	AGND	—	Ground terminal (analog system)
38	DZF1	O	Zero input detect 1 terminal Not used (open)
39	MCLKI	I	Master clock input from the digital audio interface receiver (IC1101)
40	S/P	I	Parallel or serial select terminal "L": serial control mode (fixed at "L" in this set)
41	CS	I	Chip select signal input from the system controller (IC1201)
42	CCLK	I	Clock signal input from the system controller (IC1201)
43	CDTI	I	Control signal output to the system controller (IC1201)
44	LOOP1	O	Loop back mode 1 signal output terminal (fixed at "L" in this set)

• DIGITAL BOARD IC102 MB90553ABPF-G-169-BND (DISPLAY CONTROLLER)

Pin No.	Pin Name	I/O	Description
1	EQ	O	EQUALIZER indicator (D123) drive signal output terminal "L": on
2	SUR	O	SURROUND indicator (D122) drive signal output terminal "L": on
3	LEVEL	O	LEVEL indicator (D119) drive signal output terminal "L": on
4	NAME	O	NAME indicator (D151) drive signal output terminal "L": on
5	SETUP	O	SET UP indicator (D152) drive signal output terminal "L": on
6	VOLUME	O	VOLUME indicator drive signal output terminal "L": on Not used (open)
7	MUTING	O	MUTING indicator (D101) drive signal output terminal "L": on
8	JOG	O	JOG indicator (D124) drive signal output terminal "L": on
9	VOLUP	O	Motor drive signal (volume up direction) output to the volume motor drive (IC105)
10	VOLDOWN	O	Motor drive signal (volume down direction) output to the volume motor drive (IC105)
11	VSS	—	Ground terminal
12	5V CHECK	O	Power check terminal
13	POWER RY	O	Power relay drive signal output terminal "H": on
14 to 17	NC	—	Not used (fixed at "L")
18	SIRCS IN	I	SIRCS input from the remote control receiver (IC101)
19	SOT0	O	Serial data output to the system controller (IC1201) (rewrite flash memory)
20	SIN0	I	Serial data input from the system controller (IC1201) (rewrite flash memory)
21	FL CLK	O	Clock signal output to the fluorescent display tube
22	FL DATA	O	Serial data output to the fluorescent display tube
23	VCC	—	Power supply terminal (+5V)
24	FL LAT	O	Latch signal output to the FL display driver (IC103)
25	FL CLEAR	O	Clear signal output to the FL display driver (IC103)
26	OSD CLK	O	OSD clock signal output to the select switch (IC2004) (used for STR-DE945 only)
27	C	—	External power regulator capacitor is connected to this terminal
28	OSD DOUT	O	OSD serial data output to the select switch (IC2004) (used for STR-DE945 only)
29 to 33	NC	—	Not used (fixed at "L")
34	AVCC	—	Power supply terminal (+5V) (analog system)
35	AVRH	—	Connected to power supply
36	AVRL	—	Connected to ground
37	AVSS	—	Ground terminal (analog system)
38	AD KEY IN 1	I	Key input terminal (A/D input) (S111 to 118)
39	AD KEY IN 2	I	Key input terminal (A/D input) (S121 to 125)
40	AD KEY IN 3	I	Key input terminal (A/D input) (S131 to 137)
41	AD KEY IN 4	I	Key input terminal (A/D input) (S141 to 149)
42	VSS	—	Ground terminal
43	AD KEY IN 5	I	Key input terminal (A/D input) (S151 to 157)
44	AD KEY IN 6	I	Key input terminal (A/D input) (S161 to 165)
45	AD KEY IN 7	I	Key input terminal Not used (fixed at "L")
46	RDS SIGNAL	I	RDS control signal input terminal Not used (fixed at "L")
47	STOP	I	Stop signal input from the power control (IC1206)
48	NC	—	Not used (fixed at "L")
49	MD0	I	MD 0 signal input from the system controller (IC1201)
50	MD1	I	MD 1 signal input terminal (fixed at "H" in this set)
51	MD2	I	MD 2 signal input from the system controller (IC1201)
52	HSTX	I	Hardware standby signal input to the power control (IC1206)

Pin No.	Pin Name	I/O	Description
53	RDS CLOCK	I	RDS clock signal input terminal Not used (fixed at "L")
54	RDS DATA	I	RDS data input terminal Not used (fixed at "L")
55	OSD VSYNC	O	Video sync signal output to the video switch (IC2005) (used for STR-DE945 only)
56	OSD VBLK	O	Video clock signal output to the video switch (IC2005) (used for STR-DE945 only)
57	NC	—	Not used (fixed at "L")
58	U-RESET	O	Reset signal output to the system controller (IC1201)
59	U-SREQ	I	Slave request signal and data input from the system controller (IC1201)
60	U-MREQ	O	Master request signal output to the system controller (IC1201)
61	U-DATA	O	Master data output to the system controller (IC1201)
62	U-CLOCK	O	Master clock signal output to the system controller (IC1201)
63	AUBUS-IN	I	Audio bus input terminal
64	SP-A	I	Speaker A select signal input terminal
65	SP-B	I	Speaker B select signal input terminal
66	POWER-KEY IN	I	Power switch (S150) input terminal "L" is input when this key pressing
67	AUBUS-OUT	O	Audio bus output terminal
68	VERSION IN 1	I	Setting terminal for version 1 input
69	VERSION IN 2	I	Setting terminal for version 2 input
70	VERSION IN 3	I	Setting terminal for version 3 input
71	VERSION IN 4	I	Setting terminal for version 4 input
72	VERSION IN 5	I	Setting terminal for version 5 input
73	VERSION OUT 1	O	Setting terminal for version 1 output
74	VERSION OUT 2	O	Setting terminal for version 2 output
75	JOG-UP	O	Function encoder up input terminal (RV101)
76	JOG-DOWN	O	Function encoder down input terminal (RV101)
77	RESET	O	Reset signal input from the power control (IC1206)
78 to 80	NC	—	Not used (fixed at "L")
81	VSS	—	Ground terminal
82	XO	O	System clock output terminal (16MHz)
83	XI	I	System clock input terminal (16MHz)
84	VCC	—	Power supply terminal (+5V)
85, 86	NC	—	Not used (fixed at "L")
87	LED CLK	I	LED clock signal input from the LED drive (IC106)
88	LED DATA	I	LED data input from the LED drive (IC106)
89	LED CE	I	LED chip enable signal input from the LED drive (IC106)
90	LED CLR	I	LED clear signal input from the LED drive (IC106)
91, 92	NC	—	Not used (fixed at "L")
93	MBUS-V1	I	V1 (M BUS) control signal input from the video select switch (IC253)
94	MBUS-DVD	I	DVD (M BUS) control signal input from the video select switch (IC253)
95	MBUS-TV	I	TV (M BUS) control signal input from the video select switch (IC253)
96	MBUS-STATUS	I	STATUS (M BUS) control signal input from the video select switch (IC253)
97	2WAY	O	Control A1 on/off control for signal output to the SIRCS driver (IC12) (used for STR-DE945 only)
98	LAT	O	Learning microprocessor latch signal output to the SIRCS driver (IC12) (used for STR-DE945 only)
99	RESET	O	Reset signal output to the SIRCS driver (IC12) (used for STR-DE945 only)
100	OSD LAY	O	Video latch signal output to the video switch (IC2004) (used for STR-DE945 only)

## SECTION 5 EXPLODED VIEWS

**NOTE:**

- -XX and -X mean standardized parts, so they may have some difference from the original one.
- Color Indication of Appearance Parts  
Example:  
KNOB, BALANCE (WHITE) . . . (RED)  
                  ↑                  ↑  
                  Parts Color Cabinet's Color

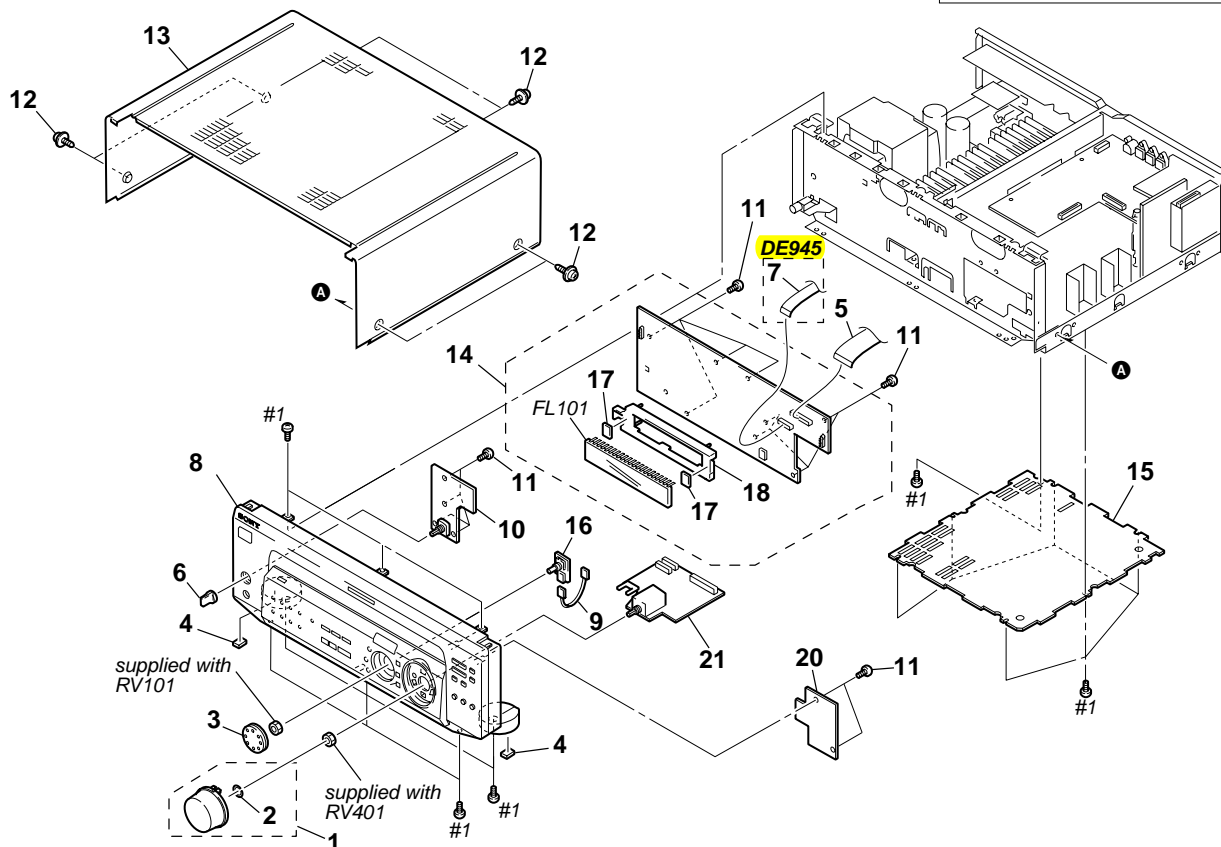
- Items marked “\*” are not stocked since they are seldom required for routine service. Some delay should be anticipated when ordering these items.
- The mechanical parts with no reference number in the exploded views are not supplied.
- Hardware (# mark) list and accessories and packing materials are given in the last of the electrical parts list.

The components identified by mark  $\Delta$  or dotted line with mark  $\Delta$  are critical for safety. Replace only with part number specified.

Les composants identifiés par une marque  $\Delta$  sont critiques pour la sécurité. Ne les remplacer que par une pièce portant le numéro spécifié.

以阴影和  $\Delta$  标志来识别的零部件，在安全方面具有关键性。因此只能以规定号码的零部件来更换。

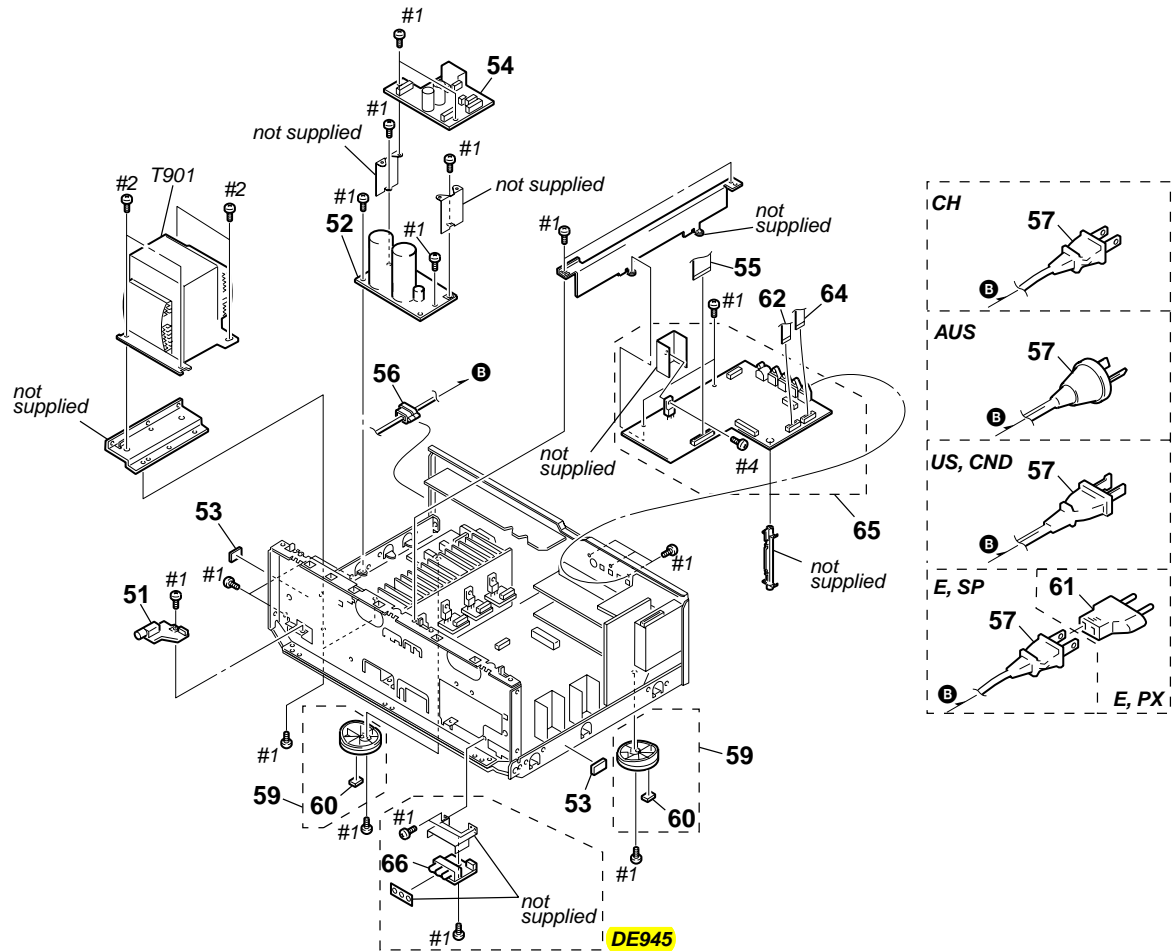
**(1) FRONT PANEL SECTION**



Ref. No.	Part No.	Description	Remark	Ref. No.	Part No.	Description	Remark
1	X-4951-035-1	KNOB (VOL) ASSY (BLACK) (US, CND, E, AUS, PX)		11	4-951-620-01	SCREW (2.6X8), +BVTP	
1	X-4951-269-1	KNOB (VOL) ASSY (GOLD) (MY, SP, CH)		12	4-210-291-01	SCREW (CASE 3 TP2) (BLACK) (EXCEPT MY, SP, CH)	
2	3-350-426-01	SPRING, RING		12	4-210-291-11	SCREW (CASE 3 TP2) (GOLD) (MY, SP, CH)	
3	4-226-799-01	KNOB (JOG) (BLACK) (US, CND, E, AUS, PX)		* 13	4-229-547-01	CASE (414532) (GOLD) (MY, SP, CH)	
3	4-226-799-11	KNOB (JOG) (GOLD) (MY, SP, CH)		* 13	4-979-945-01	CASE (414532) (BLACK) (E, AUS, PX)	
4	4-977-358-11	CUSHION		* 13	4-982-682-01	CASE (414532) (US, CND)	
5	1-773-054-11	WIRE (FLAT TYPE) (17 CORE) (E, AUS, CH, PX)		14	A-4428-772-A	DISPLAY BOARD, COMPLETE (845: US, CND)	
5	1-773-160-11	WIRE (FLAT TYPE) (21 CORE) (US, CND) (260mm)		14	A-4428-796-A	DISPLAY BOARD, COMPLETE (MY, SP, AUS, CH)	
6	4-957-383-01	KNOB (F14) (BLACK) (US, CND, E, AUS)		14	A-4428-804-A	DISPLAY BOARD, COMPLETE (E, PX)	
6	4-957-383-11	KNOB (F14) (GOLD) (MY, SP, CH)		14	A-4428-814-A	DISPLAY BOARD, COMPLETE (DE945)	
7	1-769-888-11	WIRE (FLAT TYPE) (7 CORE) (DE945)		* 15	4-979-946-01	PLATE (432), BOTTOM	
8	X-4952-754-1	PANEL ASSY, FRONT (DE945)		16	1-677-041-11	ROTARY BOARD	
8	X-4952-755-1	PANEL ASSY, FRONT (BLACK) (845: US, CND, E, AUS, PX)		* 17	4-955-901-01	CUSHION (FL)	
8	X-4952-756-1	PANEL ASSY, FRONT (GOLD) (MY, SP, CH)		* 18	4-990-797-01	HOLDER (FL)	
* 9	1-690-880-31	LEAD (WITH CONNECTOR)		20	1-677-000-11	MUTING BOARD	
10	1-676-999-11	POWER BOARD		21	1-677-001-11	VOL BOARD	
				FL101	1-517-781-21	INDICATOR, FLUORESCENT	



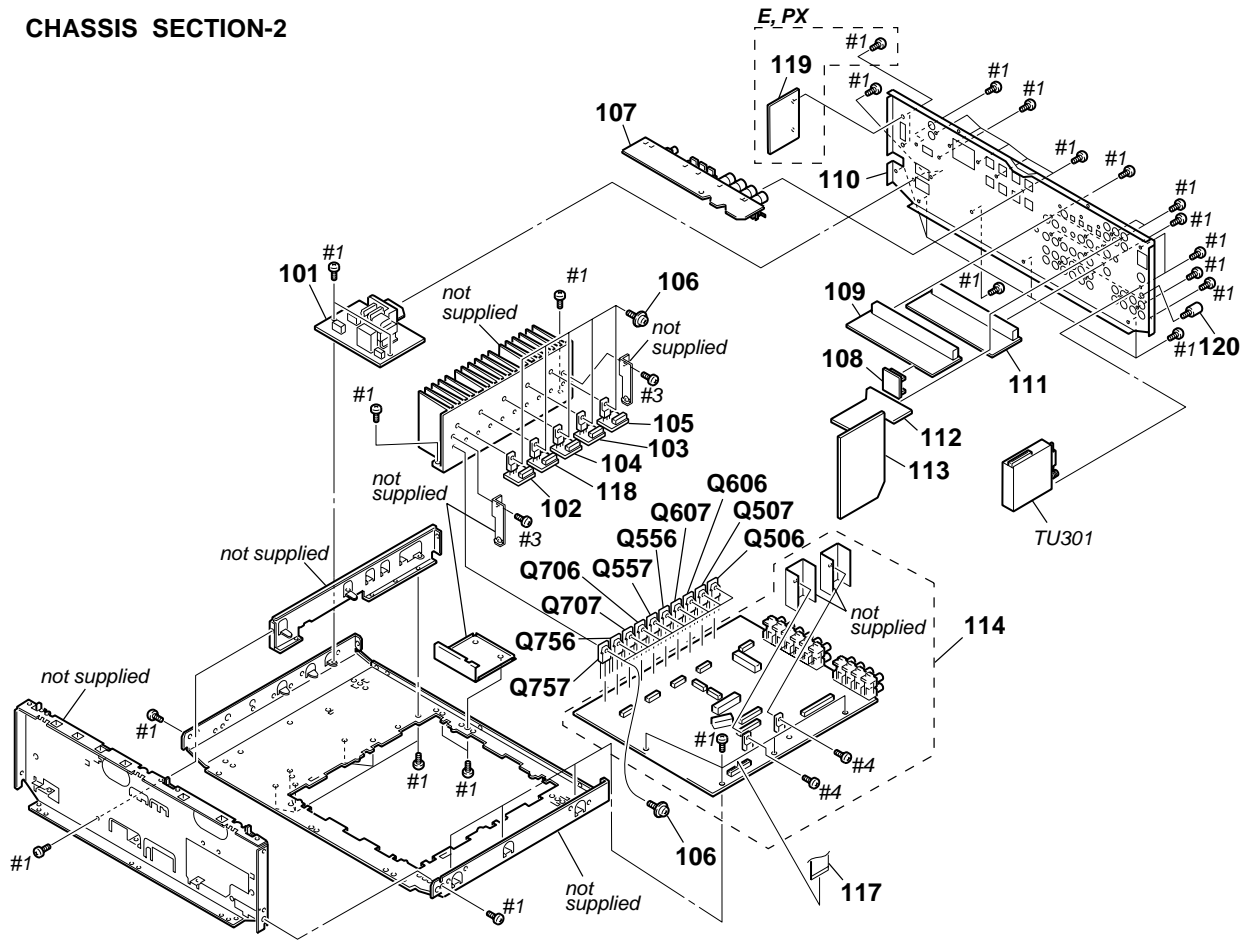
## (2) CHASSIS SECTION-1



<p>The components identified by mark <math>\triangle</math> or dotted line with mark <math>\triangle</math> are critical for safety. Replace only with part number specified.</p>	<p>Les composants identifiés par une marque <math>\triangle</math> sont critiques pour la sécurité. Ne les remplacer que par une pièce portant le numéro spécifié.</p>	<p>以阴影和 <math>\triangle</math> 标志来识别的零部件，在安全方面具有关键性。因此只能以规定号码的零部件来更换。</p>
---	--	---

Ref. No.	Part No.	Description	Remark	Ref. No.	Part No.	Description	Remark
51	1-677-002-11	H.P BOARD		60	4-977-358-11	CUSHION	
52	1-676-988-11	DC (1) BOARD		$\triangle$ 61	1-569-008-21	ADAPTOR, CONVERSION 2P (E, PX)	
53	4-985-642-01	CUSHION		62	1-773-004-11	WIRE (FLAT TYPE) (15 CORE) (100mm)	
54	1-676-989-11	DC (2) BOARD		64	1-773-001-11	WIRE (FLAT TYPE) (15 CORE) (70mm)	
55	1-773-150-11	WIRE (FLAT TYPE) (21 CORE) (160mm)		65	A-4428-787-A	DIGITAL BOARD, COMPLETE	(DE845: US, CND)
* 56	3-703-244-00	BUSHING (2104), CORD		65	A-4428-801-A	DIGITAL BOARD, COMPLETE	(EXCEPT US, CND)
$\triangle$ 57	1-696-847-11	CORD, POWER (AUS)		65	A-4428-820-A	DIGITAL BOARD, COMPLETE	(DE945)
$\triangle$ 57	1-769-743-11	CORD, POWER (CND)		66	1-677-003-11	VIDEO 3 BOARD	(DE945)
$\triangle$ 57	1-769-744-11	CORD, POWER (E, PX)		$\triangle$ T901	1-435-428-11	TRANSFORMER, POWER (E, PX)	
$\triangle$ 57	1-782-464-21	CORD, POWER (CH)		$\triangle$ T901	1-435-429-11	TRANSFORMER, POWER (AUS)	
$\triangle$ 57	1-783-820-11	CORD, POWER (US)		$\triangle$ T901	1-435-430-11	TRANSFORMER, POWER (US)	
59	X-4947-208-1	FOOT ASSY (F50150S) (BLACK)	(US, CND, E, AUS, PX)	$\triangle$ T901	1-435-431-11	TRANSFORMER, POWER (CND)	
59	X-4952-298-1	FOOT ASSY (F50150S) (GOLD) (MY, SP, CH)		$\triangle$ T901	1-435-432-11	TRANSFORMER, POWER (MY, SP, CH)	

### (3) CHASSIS SECTION-2



Ref. No.	Part No.	Description	Remark	Ref. No.	Part No.	Description	Remark
101	1-676-990-11	AC BOARD		114	A-4428-822-A	MAIN BOARD, COMPLETE (DE945: CND)	
102	1-676-986-11	BIAS (LS) BOARD		117	1-773-182-11	WIRE (FLAT TYPE) (23 CORE)	
103	1-676-985-11	BIAS (C) BOARD		118	1-676-987-11	BIAS (RS) BOARD	
104	1-676-984-11	BIAS (R) BOARD		119	1-677-004-11	V. SWITCH BOARD (E, PX)	
105	1-676-983-11	BIAS (L) BOARD		* 120	1-537-738-21	TERMINAL, EARTH	
106	3-905-609-11	SCREW (TRANSISTOR)		Q506	8-729-051-93	TRANSISTOR 2SB1647 (DE945)	
107	1-676-991-11	SP BOARD		Q506	8-749-010-26	IC MP1620-OPY-M (DE845)	
108	1-676-992-11	JOINT (1) (H) BOARD (DE845)		Q507	8-729-051-92	TRANSISTOR 2SD2560 (DE945)	
108	1-677-042-11	OSD JOINT (H) BOARD (DE945)		Q507	8-749-010-25	IC MN2488-OPY-M (DE845)	
109	A-4428-783-A	S-VIDEO BOARD, COMPLETE (DE845: US, CND)		Q556	8-729-051-93	TRANSISTOR 2SB1647 (DE945)	
109	A-4428-817-A	S-VIDEO BOARD, COMPLETE (DE945)		Q556	8-749-010-26	IC MP1620-OPY-M (DE845)	
110	4-226-871-02	PANEL, BACK (DE945: US)		Q557	8-729-051-92	TRANSISTOR 2SD2560 (DE945)	
110	4-226-871-12	PANEL, BACK (DE945: CND)		Q557	8-749-010-25	IC MN2488-OPY-M (DE845)	
110	4-226-871-32	PANEL, BACK (DE845: US)		Q606	8-729-051-93	TRANSISTOR 2SB1647 (DE945)	
110	4-226-871-42	PANEL, BACK (DE845: CND)		Q606	8-749-010-26	IC MP1620-OPY-M (DE845)	
110	4-226-871-52	PANEL, BACK (MY, SP)		Q607	8-729-051-92	TRANSISTOR 2SD2560 (DE945)	
110	4-226-871-62	PANEL, BACK (CH)		Q607	8-749-010-25	IC MN2488-OPY-M (DE845)	
110	4-226-871-72	PANEL, BACK (AUS)		Q706	8-729-051-93	TRANSISTOR 2SB1647 (DE945)	
110	4-226-871-82	PANEL, BACK (E, PX)		Q706	8-749-010-26	IC MP1620-OPY-M (DE845)	
111	1-676-994-11	VIDEO BOARD (DE845)		Q706	8-729-051-92	TRANSISTOR 2SD2560 (DE945)	
111	A-4428-818-A	OSD BOARD, COMPLETE (DE945)		Q707	8-749-010-25	IC MN2488-OPY-M (DE845)	
112	1-676-982-11	5.1 IN BOARD		Q756	8-729-051-93	TRANSISTOR 2SB1647 (DE945)	
113	A-4428-791-A	AU SW BOARD, COMPLETE		Q756	8-749-010-26	IC MP1620-OPY-M (DE845)	
114	A-4428-764-A	MAIN BOARD, COMPLETE (DE845: US)		Q757	8-729-051-92	TRANSISTOR 2SD2560 (DE945)	
114	A-4428-793-A	MAIN BOARD, COMPLETE (DE845: CND)		Q757	8-749-010-25	IC MN2488-OPY-M (DE845)	
114	A-4428-794-A	MAIN BOARD, COMPLETE (EXCEPT US, CND)		TM301	1-693-407-23	TUNER (DE845: US, CND, E/DE945)	
114	A-4428-813-A	MAIN BOARD, COMPLETE (DE945: US)		TM301	1-693-409-23	TUNER (MY, SP, AUS, CH)	

# SECTION 6 ELECTRICAL PARTS LIST

5.1 IN

AC

**NOTE:**

- Due to standardization, replacements in the parts list may be different from the parts specified in the diagrams or the components used on the set.
- -XX and -X mean standardized parts, so they may have some difference from the original one.
- RESISTORS  
All resistors are in ohms.  
METAL: Metal-film resistor.  
METAL OXIDE: Metal oxide-film resistor.  
F: nonflammable
- Abbreviation  
AUS : Australian model    MY : Malaysia model  
CH : Chinese model        SP : Singapore model  
CND: Canadian model

- Items marked "\*" are not stocked since they are seldom required for routine service. Some delay should be anticipated when ordering these items.
- SEMICONDUCTORS  
In each case, u:  $\mu$ , for example:  
uA. . . :  $\mu$ A. .        uPA. . . :  $\mu$ PA. .  
uPB. . . :  $\mu$ PB. .     uPC. . . :  $\mu$ PC. .  
uPD. . . :  $\mu$ PD. .
- CAPACITORS  
uF:  $\mu$ F
- COILS  
uH:  $\mu$ H

The components identified by mark  $\Delta$  or dotted line with mark  $\Delta$  are critical for safety. Replace only with part number specified.

Les composants identifiés par une marque  $\Delta$  sont critiques pour la sécurité. Ne les remplacer que par une pièce portant le numéro spécifié.

以阴影和  $\Delta$  标志来识别的零部件，在安全方面具有关键性，因此只能以规定号码的零部件来更换。

Ref. No.	Part No.	Description	Remark	Ref. No.	Part No.	Description	Remark
	1-676-982-11	5.1 IN BOARD *****					
		< CAPACITOR >					
C323	1-128-825-11	CERAMIC        2200PF    5%    50V					
		< CONNECTOR >					
CNS301	1-695-093-11	SOCKET, CONNECTOR 9P					
		< JACK >					
J307	1-794-269-11	JACK, PIN 6P (5.1CH INPUT)					
		< RESISTOR >					
R323	1-249-417-11	CARBON        1K        5%    1/4W					
R324	1-249-417-11	CARBON        1K        5%    1/4W					
R325	1-249-417-11	CARBON        1K        5%    1/4W					
R327	1-249-441-11	CARBON        100K     5%    1/4W					
R328	1-249-441-11	CARBON        100K     5%    1/4W					
R329	1-249-441-11	CARBON        100K     5%    1/4W					
R373	1-249-417-11	CARBON        1K        5%    1/4W					
R374	1-249-417-11	CARBON        1K        5%    1/4W					
R375	1-249-439-11	CARBON        68K      5%    1/4W					
R377	1-249-441-11	CARBON        100K     5%    1/4W					
R378	1-249-441-11	CARBON        100K     5%    1/4W					
R379	1-249-436-11	CARBON        39K      5%    1/4W					
*****							
	1-676-990-11	AC BOARD *****					
	1-533-223-11	HOLDER, FUSE					
		< CAPACITOR >					
C901	1-127-880-11	CERAMIC        0.022uF    10%    50V					
C902	1-127-880-11	CERAMIC        0.022uF    10%    50V					
C905	1-126-768-11	ELECT          2200uF     20%    16V					
		< CONNECTOR >					
$\Delta$ CNJ90	1-251-417-11	OUTLET, A. C. (AC OUTLET) (AUS)					
$\Delta$ CNJ90	1-251-718-11	OUTLET (2 GANG), AC (AC OUTLET) (US, CND, E, CH, PX)					
$\Delta$ CNJ90	1-785-285-11	OUTLET, AC (1P) (AC OUTLET) (MY, SP)					
CNV807	1-568-106-11	PIN, CONNECTOR 4P (E)					
CNV901	1-564-321-00	PIN, CONNECTOR 2P					
		< DIODE >					
* CNV902	1-565-792-11	PIN, CONNECTOR 2P					
D901	8-719-024-99	DIODE 11ES2-NTA2B					
D902	8-719-024-99	DIODE 11ES2-NTA2B					
D903	8-719-024-99	DIODE 11ES2-NTA2B					
D904	8-719-024-99	DIODE 11ES2-NTA2B					
D905	8-719-911-19	DIODE 1SS133T-72					
D906	8-719-911-19	DIODE 1SS133T-72					
D907	8-719-911-19	DIODE 1SS133T-72					
		< TERMINAL >					
* EB901	1-537-738-11	TERMINAL, EARTH (US, CND)					
		< FUSE >					
$\Delta$ F901	1-533-311-11	FUSE, GLASS CYLINDRICAL (DIA.5) 8A        125V (US, CND)					
$\Delta$ F901	1-532-504-51	FUSE        T4AL        250V (EXCEPT US, CND)					
$\Delta$ F903	1-532-749-11	FUSE        T2.5AL     250V (EXCEPT US, CND, E, PX)					
		< TRANSISTOR >					
Q901	8-729-119-78	TRANSISTOR    2SC2785TP-HFE					
		< RESISTOR >					
R901	1-202-725-00	SOLID        3.3M        10%    1/2W (US, CND)					
R902	1-249-429-11	CARBON        10K        5%    1/4W					
R903	1-249-425-11	CARBON        4.7K        5%    1/4W					
		< RELAY >					
RY901	1-755-298-11	RELAY					
		< TRANSFORMER >					
$\Delta$ T902	1-435-281-11	TRANSFORMER, POWER (US, CND)					
$\Delta$ T902	1-435-282-11	TRANSFORMER, POWER (MY, SP, AUS, CH)					
$\Delta$ T902	1-435-283-11	TRANSFORMER, POWER (E, PX)					
*****							

**AU SW**

Ref. No.	Part No.	Description	Remark	Ref. No.	Part No.	Description	Remark
	A-4428-791-A	AU SW BOARD, COMPLETE *****		Q1502	8-729-107-45	TRANSISTOR	2SC3624A-T1L15L16
		< CAPACITOR >		Q1503	8-729-107-45	TRANSISTOR	2SC3624A-T1L15L16
C1503	1-163-251-11	CERAMIC CHIP	100PF 5% 50V	Q1504	8-729-107-45	TRANSISTOR	2SC3624A-T1L15L16
C1504	1-163-037-11	CERAMIC CHIP	0.022uF 10% 25V	Q1505	8-729-107-45	TRANSISTOR	2SC3624A-T1L15L16
C1505	1-163-037-11	CERAMIC CHIP	0.022uF 10% 25V				
C1512	1-163-037-11	CERAMIC CHIP	0.022uF 10% 25V				
C1521	1-163-251-11	CERAMIC CHIP	100PF 5% 50V				
C1524	1-163-251-11	CERAMIC CHIP	100PF 5% 50V	Q1506	8-729-107-45	TRANSISTOR	2SC3624A-T1L15L16
C1525	1-163-251-11	CERAMIC CHIP	100PF 5% 50V	Q1507	8-729-027-23	TRANSISTOR	RT1P141C-TP-1
C1526	1-163-251-11	CERAMIC CHIP	100PF 5% 50V				
C1527	1-163-239-11	CERAMIC CHIP	33PF 5% 50V				
C1528	1-163-251-11	CERAMIC CHIP	100PF 5% 50V				
C1529	1-163-239-11	CERAMIC CHIP	33PF 5% 50V				
C1530	1-163-251-11	CERAMIC CHIP	100PF 5% 50V				
C1531	1-163-239-11	CERAMIC CHIP	33PF 5% 50V				
C1533	1-163-239-11	CERAMIC CHIP	33PF 5% 50V				
C1535	1-163-239-11	CERAMIC CHIP	33PF 5% 50V				
C1537	1-163-239-11	CERAMIC CHIP	33PF 5% 50V				
C1539	1-163-037-11	CERAMIC CHIP	0.022uF 10% 25V				
C1540	1-163-037-11	CERAMIC CHIP	0.022uF 10% 25V				
C1541	1-163-037-11	CERAMIC CHIP	0.022uF 10% 25V				
C1543	1-126-965-11	ELECT	22uF 20% 50V				
C1546	1-126-965-11	ELECT	22uF 20% 50V				
C1548	1-126-965-11	ELECT	22uF 20% 50V				
C1550	1-126-965-11	ELECT	22uF 20% 50V				
C1552	1-126-965-11	ELECT	22uF 20% 50V				
C1554	1-126-965-11	ELECT	22uF 20% 50V				
C1560	1-126-965-11	ELECT	22uF 20% 50V				
C1561	1-126-965-11	ELECT	22uF 20% 50V				
C1562	1-126-965-11	ELECT	22uF 20% 50V				
C1563	1-126-965-11	ELECT	22uF 20% 50V				
C1564	1-126-965-11	ELECT	22uF 20% 50V				
C1565	1-126-965-11	ELECT	22uF 20% 50V				
		< CONNECTOR >					
CNP10	1-784-927-11	PIN, CONNECTOR 12P					
CNP11	1-764-867-41	CONNECTOR, BOARD TO BOARD 20P					
CNP12	1-695-088-11	PIN, CONNECTOR (PC BOARD) 9P					
		< DIODE >					
D1501	8-719-820-05	DIODE 1SS181-TE85L					
D1504	8-719-820-05	DIODE 1SS181-TE85L					
D1505	8-719-820-05	DIODE 1SS181-TE85L					
		< IC >					
IC1502	8-759-590-10	IC TC9273F-012 (EL)					
IC1505	8-759-099-06	IC M5218AFP-TE1					
IC1506	8-759-099-06	IC M5218AFP-TE1					
IC1507	8-759-099-06	IC M5218AFP-TE1					
IC1508	8-759-099-06	IC M5218AFP-TE1					
IC1509	8-759-099-06	IC M5218AFP-TE1					
IC1510	8-759-099-06	IC M5218AFP-TE1					
		< TRANSISTOR >					
Q1501	8-729-107-45	TRANSISTOR	2SC3624A-T1L15L16				

Ref. No.	Part No.	Description	Remark	Ref. No.	Part No.	Description	Remark
R1584	1-216-089-00	RES-CHIP	47K 5% 1/10W		1-676-984-11	BIAS (R) BOARD *****	
R1585	1-216-081-00	METAL CHIP	22K 5% 1/10W			< CAPACITOR >	
R1594	1-216-073-00	METAL CHIP	10K 5% 1/10W				
R1595	1-216-073-00	METAL CHIP	10K 5% 1/10W				
R1596	1-216-073-00	METAL CHIP	10K 5% 1/10W	C570	1-104-664-11	ELECT 47uF 20% 16V	
						< TRANSISTOR >	
R1597	1-216-073-00	METAL CHIP	10K 5% 1/10W				
R1598	1-216-073-00	METAL CHIP	10K 5% 1/10W				
R1599	1-216-073-00	METAL CHIP	10K 5% 1/10W	Q555	8-729-026-08	TRANSISTOR 2SC4495	
*****							
	1-676-985-11	BIAS (C) BOARD *****				< RESISTOR >	
		< CAPACITOR >					
C620	1-104-664-11	ELECT 47uF 20% 16V					
		< TRANSISTOR >					
Q605	8-729-026-08	TRANSISTOR 2SC4495					
		< RESISTOR >					
R621	1-247-843-11	CARBON 3.3K 5% 1/4W					
R622	1-247-843-11	CARBON 3.3K 5% 1/4W					
R623	1-249-442-11	CARBON 510 5% 1/4W					
*****							
	1-676-983-11	BIAS (L) BOARD *****					
		< CAPACITOR >					
C520	1-104-664-11	ELECT 47uF 20% 16V					
		< TRANSISTOR >					
Q505	8-729-026-08	TRANSISTOR 2SC4495					
		< RESISTOR >					
R521	1-247-843-11	CARBON 3.3K 5% 1/4W					
R522	1-247-843-11	CARBON 3.3K 5% 1/4W					
R523	1-249-442-11	CARBON 510 5% 1/4W					
*****							
	1-676-986-11	BIAS (LS) BOARD *****					
		< CAPACITOR >					
C720	1-104-664-11	ELECT 47uF 20% 16V					
		< TRANSISTOR >					
Q705	8-729-026-08	TRANSISTOR 2SC4495					
		< RESISTOR >					
R721	1-247-843-11	CARBON 3.3K 5% 1/4W					
R722	1-247-843-11	CARBON 3.3K 5% 1/4W					
R723	1-249-442-11	CARBON 510 5% 1/4W					
*****							
	1-676-988-11	DC (1) BOARD *****					
	1-533-223-11	HOLDER, FUSE					
		< CAPACITOR >					
C803	1-125-897-11	ELECT 10000uF 20% 71V					
C804	1-125-897-11	ELECT 10000uF 20% 71V					
C805	1-130-781-00	MYLAR 0.22uF 5% 100V					
C806	1-130-781-00	MYLAR 0.22uF 5% 100V					
		< CONNECTOR >					
CNP802	1-785-102-11	PIN, CONNECTOR 4P					
		< DIODE >					
D801	8-719-072-05	DIODE RBV-602LF-A					
		< FUSE >					
△ F801	1-533-311-11	FUSE, GLASS CYLINDRICAL (DIA.5) 8A 125V					
△ F802	1-533-311-11	FUSE, GLASS CYLINDRICAL (DIA.5) 8A 125V					
*****							
	1-676-989-11	DC (2) BOARD *****					
	1-533-223-11	HOLDER, FUSE					

The components identified by mark △ or dotted line with mark △ are critical for safety. Replace only with part number specified.

Les composants identifiés par une marque △ sont critiques pour la sécurité. Ne les remplacer que par une pièce portant le numéro spécifié.

以阴影和 △ 标志来识别的零部件，在安全方面具有关键性。因此只能以规定号码的零部件来更换。

**DC (2)**      **DIGITAL**

Ref. No.	Part No.	Description	Remark
< CAPACITOR >			
C801	1-104-664-11	ELECT	47uF 20% 25V
C807	1-107-935-11	ELECT	330uF 20% 100V
C808	1-126-967-11	ELECT	47uF 20% 50V
C809	1-126-967-11	ELECT	47uF 20% 50V
C811	1-126-953-11	ELECT	2200uF 20% 35V
C812	1-126-952-11	ELECT	1000uF 20% 35V
C813	1-126-937-11	ELECT	4700uF 20% 16V
C851	1-136-153-00	FILM	0.01uF 5% 50V
C852	1-136-153-00	FILM	0.01uF 5% 50V
C853	1-136-153-00	FILM	0.01uF 5% 50V
C854	1-136-153-00	FILM	0.01uF 5% 50V
< CONNECTOR >			
CNP803	1-785-103-21	PIN, CONNECTOR 5P	
CNP804	1-785-101-11	PIN, CONNECTOR 3P	
CNP805	1-785-103-11	PIN, CONNECTOR 5P	
CNP806	1-784-924-11	PIN, CONNECTOR 8P	
* CNP808	1-564-506-11	PLUG, CONNECTOR 3P	
CNP809	1-784-921-11	PIN, CONNECTOR 4P	
< DIODE >			
D802	8-719-024-99	DIODE 11ES2-NTA2B	
D803	8-719-024-99	DIODE 11ES2-NTA2B	
D804	8-719-024-99	DIODE 11ES2-NTA2B	
D805	8-719-024-99	DIODE 11ES2-NTA2B	
D806	8-719-024-99	DIODE 11ES2-NTA2B	
D807	8-719-024-99	DIODE 11ES2-NTA2B	
D808	8-719-024-99	DIODE 11ES2-NTA2B	
D809	8-719-024-99	DIODE 11ES2-NTA2B	
D810	8-719-982-23	DIODE MTZJ-T-72-33	
D811	8-719-024-99	DIODE 11ES2-NTA2B	
D812	8-719-024-99	DIODE 11ES2-NTA2B	
D813	8-719-118-63	DIODE RD5.6F-T7B2	
< FUSE >			
△F803	1-533-419-11	FUSE, GLASS CYLINDRICAL (DIA.5) 4A 125V (US, CND)	
△F803	1-532-504-51	FUSE T4AL 250V (EXCEPT US, CND)	
△F804	1-533-419-11	FUSE, GLASS CYLINDRICAL (DIA.5) 4A 125V (US, CND)	
△F804	1-532-504-51	FUSE T4AL 250V (EXCEPT US, CND)	
△F805	1-533-419-11	FUSE, GLASS CYLINDRICAL (DIA.5) 4A 125V (US, CND)	
△F805	1-532-504-51	FUSE T4AL 250V (EXCEPT US, CND)	
< TRANSISTOR >			
Q801	8-729-051-94	TRANSISTOR 2SD1863TV2	
< RESISTOR >			
△R801	1-247-727-11	CARBON 10 5% 1/2W F	
△R802	1-249-401-11	CARBON 47 5% 1/4W F	
R803	1-249-429-11	CARBON 10K 5% 1/4W	
R804	1-249-433-11	CARBON 22K 5% 1/4W	

Ref. No.	Part No.	Description	Remark
< SWITCH >			
S801	1-771-876-11	SWITCH, POWER (IMPEDANCE SELECTOR)	
*****			
A-4428-787-A	DIGITAL BOARD, COMPLETE (DE845: US, CND)		
A-4428-801-A	DIGITAL BOARD, COMPLETE (EXCEPT US, CND)		
A-4428-820-A	DIGITAL BOARD, COMPLETE (DE945) *****		
4-227-901-01	HEAT SINK		
7-685-872-09	SCREW +BVTT 3X8 (S)		
< CAPACITOR >			
C1001	1-165-319-11	CERAMIC CHIP	0.1uF 50V
C1002	1-165-319-11	CERAMIC CHIP	0.1uF 50V
C1003	1-165-319-11	CERAMIC CHIP	0.1uF 50V
C1004	1-165-319-11	CERAMIC CHIP	0.1uF 50V
C1005	1-165-319-11	CERAMIC CHIP	0.1uF 50V
C1006	1-126-925-11	ELECT	470uF 20% 10V
C1007	1-126-965-11	ELECT	22uF 20% 50V
C1008	1-165-319-11	CERAMIC CHIP	0.1uF 50V
C1010	1-163-217-11	CERAMIC CHIP	1PF 0.25PF 50V
C1020	1-163-243-11	CERAMIC CHIP	47PF 5% 50V
C1101	1-165-319-11	CERAMIC CHIP	0.1uF 50V
C1102	1-104-664-11	ELECT	47uF 20% 16V
C1103	1-165-319-11	CERAMIC CHIP	0.1uF 50V
C1104	1-163-021-11	CERAMIC CHIP	0.01uF 10% 50V
C1105	1-104-664-11	ELECT	47uF 20% 16V
C1106	1-165-319-11	CERAMIC CHIP	0.1uF 50V
C1107	1-163-021-11	CERAMIC CHIP	0.01uF 10% 50V
C1108	1-165-319-11	CERAMIC CHIP	0.1uF 50V
C1109	1-163-021-11	CERAMIC CHIP	0.01uF 10% 50V
C1110	1-165-319-11	CERAMIC CHIP	0.1uF 50V
C1111	1-165-319-11	CERAMIC CHIP	0.1uF 50V
C1156	1-163-021-11	CERAMIC CHIP	0.01uF 10% 50V
C1157	1-165-319-11	CERAMIC CHIP	0.1uF 50V
C1201	1-126-964-11	ELECT	10uF 20% 50V
C1202	1-165-319-11	CERAMIC CHIP	0.1uF 50V
C1203	1-165-319-11	CERAMIC CHIP	0.1uF 50V
C1204	1-165-319-11	CERAMIC CHIP	0.1uF 50V
C1205	1-165-319-11	CERAMIC CHIP	0.1uF 50V
C1206	1-163-037-11	CERAMIC CHIP	0.022uF 10% 25V
C1207	1-165-319-11	CERAMIC CHIP	0.1uF 50V
C1208	1-165-319-11	CERAMIC CHIP	0.1uF 50V
C1209	1-165-319-11	CERAMIC CHIP	0.1uF 50V
C1210	1-165-319-11	CERAMIC CHIP	0.1uF 50V
C1211	1-163-251-11	CERAMIC CHIP	100PF 5% 50V
C1212	1-163-251-11	CERAMIC CHIP	100PF 5% 50V
C1213	1-165-319-11	CERAMIC CHIP	0.1uF 50V
C1214	1-164-161-11	CERAMIC CHIP	0.0022uF 10% 100V
C1215	1-126-935-11	ELECT	470uF 20% 16V
C1216	1-126-935-11	ELECT	470uF 20% 16V
C1217	1-126-935-11	ELECT	470uF 20% 16V
C1218	1-126-959-11	ELECT	0.47uF 20% 50V
C1219	1-165-319-11	CERAMIC CHIP	0.1uF 50V
C1220	1-126-957-11	ELECT	0.22uF 20% 50V

<p>The components identified by mark △ or dotted line with △ are critical for safety. Replace only with part number specified.</p>	<p>Les composants identifiés par une marque △ sont critiques pour la sécurité. Ne les remplacer que par une pièce portant le numéro spécifié.</p>	<p>以阴影和 △ 标志来识别的零部件，在安全方面具有关键性。因此只能以规定号码的零部件来更换。</p>
--	---	--

Ref. No.	Part No.	Description	Remark	Ref. No.	Part No.	Description	Remark
C1221	1-126-964-11	ELECT	10uF 20% 50V	C1519	1-164-505-11	CERAMIC CHIP 2.2uF	16V
C1222	1-165-319-11	CERAMIC CHIP	0.1uF 50V	C1522	1-126-965-11	ELECT 22uF 20% 50V	
C1223	1-165-319-11	CERAMIC CHIP	0.1uF 50V	C1523	1-106-347-00	MYLAR 1500PF 5% 200V	
C1224	1-165-319-11	CERAMIC CHIP	0.1uF 50V	C1544	1-165-319-11	CERAMIC CHIP 0.1uF	50V
C1225	1-165-319-11	CERAMIC CHIP	0.1uF 50V	C1570	1-126-964-11	ELECT 10uF 20% 50V	
C1226	1-126-960-11	ELECT	1uF 20% 50V	C1571	1-165-319-11	CERAMIC CHIP 0.1uF	50V
C1228	1-163-021-11	CERAMIC CHIP	0.01uF 10% 50V	C1572	1-126-965-11	ELECT 22uF 20% 50V	
C1229	1-126-935-11	ELECT	470uF 20% 16V	C1573	1-106-347-00	MYLAR 1500PF 5% 200V	
C1230	1-165-319-11	CERAMIC CHIP	0.1uF 50V	C3118	1-163-233-11	CERAMIC CHIP 18PF 5% 50V	
C1231	1-165-319-11	CERAMIC CHIP	0.1uF 50V	C3119	1-163-233-11	CERAMIC CHIP 18PF 5% 50V	
C1232	1-126-935-11	ELECT	470uF 20% 16V	< CONNECTOR >			
C1233	1-163-037-11	CERAMIC CHIP	0.022uF 10% 25V	CNP4	1-784-923-11	PIN, CONNECTOR 7P	
C1234	1-164-161-11	CERAMIC CHIP	0.0022uF 10% 100V	CNP7	1-784-927-11	PIN, CONNECTOR 12P	
C1235	1-164-161-11	CERAMIC CHIP	0.0022uF 10% 100V	CNS1	1-784-776-11	CONNECTOR, FFC 15P	
C1236	1-165-319-11	CERAMIC CHIP	0.1uF 50V	CNS2	1-784-778-11	CONNECTOR, FFC 17P (E, AUS, CH, PX)	
C1237	1-165-319-11	CERAMIC CHIP	0.1uF 50V	CNS2	1-784-782-11	CONNECTOR, FFC 21P (DE845: US, CND)	
C1238	1-165-319-11	CERAMIC CHIP	0.1uF 50V	CNS5	1-784-782-11	CONNECTOR, FFC 21P	
C1239	1-165-319-11	CERAMIC CHIP	0.1uF 50V	CNS6	1-784-776-11	CONNECTOR, FFC 15P	
C1301	1-165-319-11	CERAMIC CHIP	0.1uF 50V	< DIODE >			
C1302	1-163-021-11	CERAMIC CHIP	0.01uF 10% 50V	D1001	8-719-016-74	DIODE 1SS352-TPH3	
C1303	1-165-319-11	CERAMIC CHIP	0.1uF 50V	D1101	8-719-016-74	DIODE 1SS352-TPH3	
C1304	1-165-319-11	CERAMIC CHIP	0.1uF 50V	D1201	8-719-016-74	DIODE 1SS352-TPH3	
C1305	1-104-664-11	ELECT	47uF 20% 16V	D1202	8-719-016-74	DIODE 1SS352-TPH3	
C1306	1-163-133-00	CERAMIC CHIP	470PF 5% 50V	D1203	8-719-016-74	DIODE 1SS352-TPH3	
C1307	1-165-319-11	CERAMIC CHIP	0.1uF 50V	D1204	8-719-801-78	DIODE 1SS184-TE85L	
C1309	1-126-934-11	ELECT	220uF 20% 10V	D1205	8-719-801-78	DIODE 1SS184-TE85L	
C1310	1-165-319-11	CERAMIC CHIP	0.1uF 50V	D1206	8-719-016-74	DIODE 1SS352-TPH3	
C1311	1-165-319-11	CERAMIC CHIP	0.1uF 50V	D1207	8-719-016-74	DIODE 1SS352-TPH3	
C1312	1-165-319-11	CERAMIC CHIP	0.1uF 50V	D1208	8-719-053-18	DIODE 1SR154-400TE-25	
C1313	1-165-319-11	CERAMIC CHIP	0.1uF 50V	D1209	8-719-801-78	DIODE 1SS184-TE85L	
C1314	1-165-319-11	CERAMIC CHIP	0.1uF 50V	D1210	8-719-016-74	DIODE 1SS352-TPH3	
C1315	1-163-021-11	CERAMIC CHIP	0.01uF 10% 50V	D1211	8-719-053-18	DIODE 1SR154-400TE-25	
C1401	1-165-319-11	CERAMIC CHIP	0.1uF 50V	D1212	8-719-016-74	DIODE 1SS352-TPH3	
C1402	1-165-319-11	CERAMIC CHIP	0.1uF 50V	< FERRITE BEAD >			
C1403	1-163-275-11	CERAMIC CHIP	0.001uF 5% 50V	FB1101	1-469-152-11	FERRITE, EMI (SMD)	
C1404	1-165-319-11	CERAMIC CHIP	0.1uF 50V	FB1102	1-469-152-11	FERRITE, EMI (SMD)	
C1405	1-165-319-11	CERAMIC CHIP	0.1uF 50V	FB1103	1-469-152-11	FERRITE, EMI (SMD)	
C1406	1-165-319-11	CERAMIC CHIP	0.1uF 50V	FB1104	1-414-598-11	INDUCTOR, FERRITE BEAD	
C1407	1-165-319-11	CERAMIC CHIP	0.1uF 50V	FB1105	1-414-598-11	INDUCTOR, FERRITE BEAD	
C1408	1-165-319-11	CERAMIC CHIP	0.1uF 50V	FB1301	1-469-152-11	FERRITE, EMI (SMD)	
C1409	1-104-664-11	ELECT	47uF 20% 16V	FB1302	1-469-152-11	FERRITE, EMI (SMD)	
C1410	1-165-319-11	CERAMIC CHIP	0.1uF 50V	FB1401	1-469-152-11	FERRITE, EMI (SMD)	
C1411	1-165-319-11	CERAMIC CHIP	0.1uF 50V	FB1402	1-414-598-11	INDUCTOR, FERRITE BEAD	
C1412	1-165-319-11	CERAMIC CHIP	0.1uF 50V	FB1403	1-414-598-11	INDUCTOR, FERRITE BEAD	
C1413	1-165-319-11	CERAMIC CHIP	0.1uF 50V	FB1404	1-414-598-11	INDUCTOR, FERRITE BEAD	
C1414	1-104-664-11	ELECT	47uF 20% 16V	FB1405	1-469-152-11	FERRITE, EMI (SMD)	
C1416	1-104-664-11	ELECT	47uF 20% 16V	FB1501	1-469-152-11	FERRITE, EMI (SMD)	
C1417	1-165-319-11	CERAMIC CHIP	0.1uF 50V	FB1502	1-469-152-11	FERRITE, EMI (SMD)	
C1501	1-165-319-11	CERAMIC CHIP	0.1uF 50V	< IC >			
C1502	1-126-935-11	ELECT	470uF 20% 16V	IC1001	8-749-017-36	IC TORX-179 (DVD/LD IN)	
C1506	1-126-964-11	ELECT	10uF 20% 50V	IC1002	8-749-923-05	IC TORX178A (TV/SAT IN)	
C1508	1-165-319-11	CERAMIC CHIP	0.1uF 50V	IC1003	8-749-923-05	IC TORX178A (MD/DAT IN)	
C1509	1-104-664-11	ELECT	47uF 20% 16V	IC1004	8-749-923-04	IC TOTX178A (MD/DAT OUT)	
C1513	1-126-964-11	ELECT	10uF 20% 50V	IC1005	8-759-595-15	IC TC74ACT153AF (EL)	
C1514	1-165-319-11	CERAMIC CHIP	0.1uF 50V				
C1515	1-126-964-11	ELECT	10uF 20% 50V				
C1516	1-165-319-11	CERAMIC CHIP	0.1uF 50V				
C1518	1-165-319-11	CERAMIC CHIP	0.1uF 50V				

# DIGITAL

Ref. No.	Part No.	Description	Remark	Ref. No.	Part No.	Description	Remark
IC1007	8-759-242-70	IC TC7WU04F (TE12R)		R1106	1-216-071-00	METAL CHIP	8.2K 5% 1/10W
IC1101	8-759-639-35	IC LC89055W-RA8		R1108	1-216-025-00	RES-CHIP	100 5% 1/10W
IC1201	8-759-680-64	IC MB90573PFV-G-296-BND		R1110	1-216-049-11	RES-CHIP	1K 5% 1/10W
IC1202	8-759-186-30	IC TC74VHC14F (EL)		R1111	1-216-121-00	RES-CHIP	1M 5% 1/10W
IC1203	8-759-445-59	IC BA033T		R1112	1-216-295-00	SHORT	0
				R1114	1-216-025-00	RES-CHIP	100 5% 1/10W
IC1204	8-759-231-53	IC M5F7805L		R1115	1-216-073-00	METAL CHIP	10K 5% 1/10W
IC1205	8-759-231-53	IC M5F7805L		R1131	1-216-066-00	METAL CHIP	5.1K 5% 1/10W
IC1206	8-759-544-04	IC NJM2103M-TE2		R1160	1-216-049-11	RES-CHIP	1K 5% 1/10W
IC1207	8-759-231-53	IC M5F7805L		R1192	1-216-049-11	RES-CHIP	1K 5% 1/10W
IC1208	8-759-231-53	IC M5F7805L		R1201	1-216-097-00	RES-CHIP	100K 5% 1/10W
IC1301	8-759-643-42	IC CXD9511AQ		R1202	1-216-049-11	RES-CHIP	1K 5% 1/10W
IC1401	8-752-391-87	IC CXD2712R		R1203	1-216-049-11	RES-CHIP	1K 5% 1/10W
IC1402	8-759-538-16	IC IDT71V016S15PH-AUTL		R1204	1-216-049-11	RES-CHIP	1K 5% 1/10W
IC1403	8-759-524-32	IC TC74VHC367FT (EL)		R1205	1-216-049-11	RES-CHIP	1K 5% 1/10W
IC1404	8-759-242-70	IC TC7WU04F (TE12R)		R1206	1-216-049-11	RES-CHIP	1K 5% 1/10W
IC1501	8-759-231-53	IC M5F7805L		R1207	1-216-049-11	RES-CHIP	1K 5% 1/10W
IC1503	8-759-657-47	IC AK4527		R1208	1-216-049-11	RES-CHIP	1K 5% 1/10W
IC1504	8-759-099-06	IC M5218AFP-TE1		R1209	1-216-049-11	RES-CHIP	1K 5% 1/10W
IC1511	8-759-231-58	IC M5F7812L		R1210	1-216-049-11	RES-CHIP	1K 5% 1/10W
IC1554	8-759-099-06	IC M5218AFP-TE1		R1211	1-216-049-11	RES-CHIP	1K 5% 1/10W
		< JACK >		R1212	1-216-049-11	RES-CHIP	1K 5% 1/10W
J1001	1-778-228-11	JACK, PIN 1P (COAX)		R1213	1-216-049-11	RES-CHIP	1K 5% 1/10W
		< SHORT >		R1214	1-216-049-11	RES-CHIP	1K 5% 1/10W
JR1001	1-216-296-00	SHORT	0	R1215	1-216-025-00	RES-CHIP	100 5% 1/10W
JR1002	1-216-296-00	SHORT	0	R1216	1-216-025-00	RES-CHIP	100 5% 1/10W
JR1003	1-216-296-00	SHORT	0	R1217	1-216-049-11	RES-CHIP	1K 5% 1/10W
JR1004	1-216-296-00	SHORT	0	R1218	1-216-049-11	RES-CHIP	1K 5% 1/10W
JR1005	1-216-296-00	SHORT	0	R1219	1-216-049-11	RES-CHIP	1K 5% 1/10W
JR1006	1-216-296-00	SHORT	0	R1220	1-216-049-11	RES-CHIP	1K 5% 1/10W
JR1007	1-216-295-00	SHORT	0	R1221	1-216-073-00	METAL CHIP	10K 5% 1/10W (DE845)
JR1008	1-216-295-00	SHORT	0	R1222	1-216-073-00	METAL CHIP	10K 5% 1/10W (DE945)
JR1009	1-216-296-00	SHORT	0	R1223	1-216-073-00	METAL CHIP	10K 5% 1/10W (DE845)
		< TRANSISTOR >		R1224	1-216-089-00	RES-CHIP	47K 5% 1/10W
Q1201	8-729-230-49	TRANSISTOR	2SC2712-YG-TE85L	R1225	1-216-689-11	METAL CHIP	39K 0.5% 1/10W
Q1202	8-729-230-49	TRANSISTOR	2SC2712-YG-TE85L	R1226	1-216-689-11	METAL CHIP	39K 0.5% 1/10W
Q1203	8-729-027-43	TRANSISTOR	RT1N141C-TP-1	R1227	1-216-073-00	METAL CHIP	10K 5% 1/10W (DE945)
Q1204	8-729-230-49	TRANSISTOR	2SC2712-YG-TE85L	R1228	1-216-075-00	METAL CHIP	12K 5% 1/10W
Q1205	8-729-048-78	TRANSISTOR	2SD1733-TL-QR	R1229	1-216-065-00	RES-CHIP	4.7K 5% 1/10W
		< RESISTOR >		R1230	1-216-065-00	RES-CHIP	4.7K 5% 1/10W
R1001	1-216-025-00	RES-CHIP	100 5% 1/10W	R1232	1-216-065-00	RES-CHIP	4.7K 5% 1/10W
R1002	1-216-025-00	RES-CHIP	100 5% 1/10W	R1233	1-216-065-00	RES-CHIP	4.7K 5% 1/10W
R1003	1-216-025-00	RES-CHIP	100 5% 1/10W	R1234	1-216-065-00	RES-CHIP	4.7K 5% 1/10W
R1004	1-216-025-00	RES-CHIP	100 5% 1/10W	R1235	1-216-065-00	RES-CHIP	4.7K 5% 1/10W
R1006	1-216-025-00	RES-CHIP	100 5% 1/10W	R1236	1-216-065-00	RES-CHIP	4.7K 5% 1/10W
R1007	1-216-025-00	RES-CHIP	100 5% 1/10W	R1237	1-216-065-00	RES-CHIP	4.7K 5% 1/10W
R1008	1-216-022-00	METAL CHIP	75 5% 1/10W	R1238	1-216-065-00	RES-CHIP	4.7K 5% 1/10W
R1009	1-216-049-11	RES-CHIP	1K 5% 1/10W	R1239	1-216-073-00	METAL CHIP	10K 5% 1/10W
R1010	1-216-081-00	METAL CHIP	22K 5% 1/10W	R1240	1-216-073-00	METAL CHIP	10K 5% 1/10W
R1011	1-216-025-00	RES-CHIP	100 5% 1/10W	R1241	1-216-073-00	METAL CHIP	10K 5% 1/10W
R1013	1-216-115-00	METAL CHIP	560K 5% 1/10W	R1242	1-216-049-11	RES-CHIP	1K 5% 1/10W
R1101	1-216-073-00	METAL CHIP	10K 5% 1/10W	R1243	1-216-073-00	METAL CHIP	10K 5% 1/10W
R1102	1-216-073-00	METAL CHIP	10K 5% 1/10W	R1244	1-216-049-11	RES-CHIP	1K 5% 1/10W
R1104	1-216-022-00	METAL CHIP	75 5% 1/10W	R1245	1-216-049-11	RES-CHIP	1K 5% 1/10W
R1105	1-216-066-00	METAL CHIP	5.1K 5% 1/10W				



Ref. No.	Part No.	Description	Remark	Ref. No.	Part No.	Description	Remark
R1246	1-216-049-11	RES-CHIP	1K 5%	1/10W	R1404	1-216-097-00	RES-CHIP 100K 5% 1/10W
R1247	1-216-073-00	METAL CHIP	10K 5%	1/10W	R1405	1-216-121-00	RES-CHIP 1M 5% 1/10W
R1248	1-216-073-00	METAL CHIP	10K 5%	1/10W	R1406	1-216-073-00	METAL CHIP 10K 5% 1/10W
R1249	1-216-049-11	RES-CHIP	1K 5%	1/10W	R1407	1-216-025-00	RES-CHIP 100 5% 1/10W
R1250	1-216-025-00	RES-CHIP	100 5%	1/10W	R1408	1-216-025-00	RES-CHIP 100 5% 1/10W
R1251	1-216-073-00	METAL CHIP	10K 5%	1/10W	R1409	1-216-025-00	RES-CHIP 100 5% 1/10W
R1252	1-216-057-00	METAL CHIP	2.2K 5%	1/10W	R1410	1-216-295-00	SHORT 0
R1253	1-216-057-00	METAL CHIP	2.2K 5%	1/10W	R1412	1-216-065-00	RES-CHIP 4.7K 5% 1/10W
R1254	1-216-057-00	METAL CHIP	2.2K 5%	1/10W	R1413	1-216-065-00	RES-CHIP 4.7K 5% 1/10W
R1255	1-216-057-00	METAL CHIP	2.2K 5%	1/10W	R1414	1-216-065-00	RES-CHIP 4.7K 5% 1/10W
R1256	1-216-057-00	METAL CHIP	2.2K 5%	1/10W	R1415	1-216-065-00	RES-CHIP 4.7K 5% 1/10W
R1257	1-216-057-00	METAL CHIP	2.2K 5%	1/10W	R1416	1-216-065-00	RES-CHIP 4.7K 5% 1/10W
R1258	1-216-057-00	METAL CHIP	2.2K 5%	1/10W	R1417	1-216-065-00	RES-CHIP 4.7K 5% 1/10W
△ R1259	1-215-880-00	METAL OXIDE	10 5%	2W F	R1418	1-216-065-00	RES-CHIP 4.7K 5% 1/10W
△ R1260	1-215-884-11	METAL OXIDE	47 5%	2W F	R1419	1-216-065-00	RES-CHIP 4.7K 5% 1/10W
R1261	1-216-057-00	METAL CHIP	2.2K 5%	1/10W	R1420	1-216-065-00	RES-CHIP 4.7K 5% 1/10W
R1262	1-216-057-00	METAL CHIP	2.2K 5%	1/10W	R1421	1-216-065-00	RES-CHIP 4.7K 5% 1/10W
R1263	1-216-057-00	METAL CHIP	2.2K 5%	1/10W	R1422	1-216-025-00	RES-CHIP 100 5% 1/10W
R1264	1-216-049-11	RES-CHIP	1K 5%	1/10W	R1450	1-216-295-00	SHORT 0
R1265	1-216-049-11	RES-CHIP	1K 5%	1/10W	R1451	1-216-295-00	SHORT 0
R1266	1-216-049-11	RES-CHIP	1K 5%	1/10W	R1452	1-216-295-00	SHORT 0
R1267	1-216-073-00	METAL CHIP	10K 5%	1/10W	R1503	1-216-073-00	METAL CHIP 10K 5% 1/10W
R1269	1-216-093-11	RES-CHIP	68K 5%	1/10W	R1518	1-216-097-00	RES-CHIP 100K 5% 1/10W
R1270	1-216-049-11	RES-CHIP	1K 5%	1/10W	R1522	1-216-073-00	METAL CHIP 10K 5% 1/10W
R1271	1-216-073-00	METAL CHIP	10K 5%	1/10W	R1523	1-216-057-00	METAL CHIP 2.2K 5% 1/10W
R1272	1-216-073-00	METAL CHIP	10K 5%	1/10W	R1524	1-216-037-00	METAL CHIP 330 5% 1/10W
R1273	1-216-049-11	RES-CHIP	1K 5%	1/10W	R1525	1-216-073-00	METAL CHIP 10K 5% 1/10W
R1274	1-216-065-00	RES-CHIP	4.7K 5%	1/10W	R1526	1-216-037-00	METAL CHIP 330 5% 1/10W
R1275	1-216-049-11	RES-CHIP	1K 5%	1/10W	R1527	1-216-073-00	METAL CHIP 10K 5% 1/10W
R1276	1-216-049-11	RES-CHIP	1K 5%	1/10W	R1558	1-216-025-00	RES-CHIP 100 5% 1/10W
R1277	1-216-049-11	RES-CHIP	1K 5%	1/10W	R1570	1-216-065-00	RES-CHIP 4.7K 5% 1/10W
R1278	1-216-057-00	METAL CHIP	2.2K 5%	1/10W	R1571	1-216-065-00	RES-CHIP 4.7K 5% 1/10W
R1279	1-216-049-11	RES-CHIP	1K 5%	1/10W	R1572	1-216-073-00	METAL CHIP 10K 5% 1/10W
R1280	1-216-081-00	METAL CHIP	22K 5%	1/10W	R1573	1-216-057-00	METAL CHIP 2.2K 5% 1/10W
R1281	1-216-049-11	RES-CHIP	1K 5%	1/10W	R1574	1-216-037-00	METAL CHIP 330 5% 1/10W
R1282	1-216-049-11	RES-CHIP	1K 5%	1/10W	R1575	1-216-073-00	METAL CHIP 10K 5% 1/10W
R1283	1-216-073-00	METAL CHIP	10K 5%	1/10W	R1576	1-216-037-00	METAL CHIP 330 5% 1/10W
R1284	1-216-105-00	RES-CHIP	220K 5%	1/10W	R1577	1-216-073-00	METAL CHIP 10K 5% 1/10W
R1285	1-216-049-11	RES-CHIP	1K 5%	1/10W	R3121	1-216-043-00	RES-CHIP 560 5% 1/10W
R1286	1-216-049-11	RES-CHIP	1K 5%	1/10W			< VIBRATOR >
R1287	1-216-097-00	RES-CHIP	100K 5%	1/10W	X1201	1-781-356-21	VIBRATOR, CERAMIC (16MHz)
R1288	1-216-049-11	RES-CHIP	1K 5%	1/10W	X1401	1-781-464-21	VIBRATOR, CERAMIC (10MHz)
R1289	1-216-049-11	RES-CHIP	1K 5%	1/10W	X3501	1-781-465-21	VIBRATOR, CRYSTAL (12.288MHz)
R1290	1-216-093-11	RES-CHIP	68K 5%	1/10W	*****		
R1292	1-216-049-11	RES-CHIP	1K 5%	1/10W	A-4428-772-A	DISPLAY BOARD, COMPLETE (DE845: US, CND)	
R1293	1-216-073-00	METAL CHIP	10K 5%	1/10W	A-4428-796-A	DISPLAY BOARD, COMPLETE (MY, SP, AUS, CH)	
R1294	1-216-073-00	METAL CHIP	10K 5%	1/10W	A-4428-804-A	DISPLAY BOARD, COMPLETE (E, PX)	
R1295	1-216-049-11	RES-CHIP	1K 5%	1/10W	A-4428-814-A	DISPLAY BOARD, COMPLETE (DE945)	
R1296	1-216-295-00	SHORT	0		*****		
R1297	1-216-073-00	METAL CHIP	10K 5%	1/10W	* 4-955-901-01	CUSHION (FL)	
R1301	1-216-073-00	METAL CHIP	10K 5%	1/10W	* 4-990-797-01	HOLDER (FL)	
R1302	1-216-073-00	METAL CHIP	10K 5%	1/10W			< CAPACITOR >
R1303	1-216-295-00	SHORT	0		C101	1-104-664-11	ELECT 47uF 20% 16V
R1304	1-216-295-00	SHORT	0				
R1305	1-216-295-00	SHORT	0				
R1401	1-216-025-00	RES-CHIP	100 5%	1/10W			
R1402	1-216-025-00	RES-CHIP	100 5%	1/10W			
R1403	1-216-025-00	RES-CHIP	100 5%	1/10W			

The components identified by mark △ or dotted line with mark △ are critical for safety. Replace only with part number specified.

Les composants identifiés par une marque △ sont critiques pour la sécurité. Ne les remplacer que par une pièce portant le numéro spécifié.

以阴影和 △ 标志来识别的零部件，在安全方面具有关键性。因此只能以规定号码的零部件来更换。

# DISPLAY

Ref. No.	Part No.	Description	Remark	Ref. No.	Part No.	Description	Remark
C102	1-164-222-11	CERAMIC CHIP	0.22uF	25V	D107	8-719-016-74	DIODE 1SS352-TPH3
C103	1-165-319-11	CERAMIC CHIP	0.1uF	50V	D108	8-719-016-74	DIODE 1SS352-TPH3 (DE945)
C104	1-165-319-11	CERAMIC CHIP	0.1uF	50V	D114	8-719-016-74	DIODE 1SS352-TPH3 (E, PX)
C105	1-104-905-11	CAPACITOR	0.22F	5.5V	D116	8-719-016-74	DIODE 1SS352-TPH3 (MY, SP, AUS, CH)
C106	1-165-319-11	CERAMIC CHIP	0.1uF	50V	D118	8-719-016-74	DIODE 1SS352-TPH3
C107	1-126-786-11	ELECT	47uF	20% 16V	D119	8-719-046-39	LED SEL5821A-TP15 (LEVEL)
C108	1-165-319-11	CERAMIC CHIP	0.1uF	50V	D122	8-719-046-39	LED SEL5821A-TP15 (SUR)
C109	1-165-319-11	CERAMIC CHIP	0.1uF	50V	D123	8-719-046-39	LED SEL5821A-TP15 (EQ)
C110	1-165-319-11	CERAMIC CHIP	0.1uF	50V	D124	8-719-046-39	LED SEL5821A-TP15 (-/+)
C111	1-165-319-11	CERAMIC CHIP	0.1uF	50V	D151	8-719-046-39	LED SEL5821A-TP15 (NAME)
C113	1-165-319-11	CERAMIC CHIP	0.1uF	50V	D152	8-719-046-39	LED SEL5821A-TP15 (SET UP)
C114	1-126-967-11	ELECT	47uF	20% 50V	D157	8-719-046-39	LED SEL5821A-TP15 (2CH)
C115	1-163-021-11	CERAMIC CHIP	0.01uF	10% 50V	D158	8-719-046-39	LED SEL5821A-TP15 (MODE)
C116	1-163-021-11	CERAMIC CHIP	0.01uF	10% 50V	D160	8-719-078-96	LED SEL5855ATP15 (TAPE)
C117	1-165-319-11	CERAMIC CHIP	0.1uF	50V	D161	8-719-078-96	LED SEL5855ATP15 (MD/DAT)
C118	1-165-319-11	CERAMIC CHIP	0.1uF	50V	D162	8-719-078-96	LED SEL5855ATP15 (CD)
C120	1-104-664-11	ELECT	47uF	20% 16V	D163	8-719-078-96	LED SEL5855ATP15 (TUNER)
C121	1-165-319-11	CERAMIC CHIP	0.1uF	50V	D164	8-719-078-96	LED SEL5855ATP15 (DVD/LD)
C122	1-165-319-11	CERAMIC CHIP	0.1uF	50V	D165	8-719-078-96	LED SEL5855ATP15 (VIDEO 3)
C124	1-163-251-11	CERAMIC CHIP	100PF	5% 50V	D166	8-719-078-96	LED SEL5855ATP15 (TV/SAT) (DE945)
C125	1-165-319-11	CERAMIC CHIP	0.1uF	50V	D167	8-719-078-96	LED SEL5855ATP15 (VIDEO 1)
C152	1-165-319-11	CERAMIC CHIP	0.1uF	50V	D168	8-719-078-96	LED SEL5855ATP15 (VIDEO 2)
C153	1-165-319-11	CERAMIC CHIP	0.1uF	50V	D169	8-719-046-39	LED SEL5821A-TP15 (A.F.D)
C154	1-165-319-11	CERAMIC CHIP	0.1uF	50V	D170	8-719-313-45	LED SEL6810A-TH10 (5.1CH INPUT) (DE945)
C155	1-165-319-11	CERAMIC CHIP	0.1uF	50V	D171	8-719-078-96	LED SEL5855ATP15 (5.1CH INPUT) (DE845)
C158	1-165-319-11	CERAMIC CHIP	0.1uF	50V	D172	8-719-078-96	LED SEL5855ATP15 (PHONO) (DE945)
C159	1-163-251-11	CERAMIC CHIP	100PF	5% 50V	D180	8-719-016-74	DIODE 1SS352-TPH3
C160	1-163-251-11	CERAMIC CHIP	100PF	5% 50V	DD11	8-719-016-74	DIODE 1SS352-TPH3 (DE945)
CC11	1-165-319-11	CERAMIC CHIP	0.1uF	50V (DE945)	DD12	8-719-016-74	DIODE 1SS352-TPH3 (DE945)
CC12	1-165-319-11	CERAMIC CHIP	0.1uF	50V (DE945)	DD13	8-719-016-74	DIODE 1SS352-TPH3 (DE945)
CC13	1-165-319-11	CERAMIC CHIP	0.1uF	50V (DE945)	DD14	8-719-059-14	LED SID313BP-TP19 (SIRCS) (DE945)
CC14	1-136-153-00	FILM	0.01uF	5% 50V (DE945)	DD15	8-719-075-86	LED SID307BRTP19 (SIRCS) (DE945)
CC15	1-136-153-00	FILM	0.01uF	5% 50V (DE945)	DD16	8-719-075-86	LED SID307BRTP19 (SIRCS) (DE945)
CC16	1-126-916-11	ELECT	1000uF	20% 6.3V (DE945)			
		< CONNECTOR >					
CNP104	1-785-796-11	PIN, BOARD TO BOARD	5P		IC11	8-759-925-76	IC SN74HC08ANSR (DE945)
* CNP105	1-564-719-11	PIN, CONNECTOR (SMALL TYPE)	3P		IC12	8-759-666-99	IC TMP87C447U-1F23 (DE945)
CNP106	1-785-796-11	PIN, BOARD TO BOARD	5P		IC101	8-759-459-86	IC NJL64H400A (國)
CNS102	1-568-850-11	CONNECTOR, FFC	7P (DE945)		IC102	8-759-666-30	IC MB90553ABPF-G-169-BND
CNS101	1-784-778-11	CONNECTOR, FFC	17P (E, AUS, CH, PX)		IC103	8-759-679-75	IC ML9261MBZ060
CNS101	1-784-782-11	CONNECTOR, FFC	21P (US, CND)		IC105	8-759-589-67	IC BA6208F-E2
CNS103	1-770-397-11	HOUSING, CONNECTOR (PC BOARD)	4P		IC106	8-759-373-50	IC NJU3719L
		< DIODE >					
D100	8-719-072-82	LED SELU5E20C-STP15					
		(MULTI CHANNEL DECODING)					
D102	8-719-053-18	DIODE 1SR154-400TE-25			Q102	8-729-027-23	TRANSISTOR RT1P141C-TP-1
D103	8-719-016-74	DIODE 1SS352-TPH3			Q108	8-729-027-43	TRANSISTOR RT1N141C-TP-1
D104	8-719-075-59	LED SELS5B23CTP15			Q109	8-729-230-49	TRANSISTOR 2SC2712-YG-TE85L
		(DIGITAL CINEMA SOUND)			QQ11	8-729-230-49	TRANSISTOR 2SC2712-YG-TE85L (DE945)
D105	8-719-313-45	LED SEL6810A-TH10 (EQUALIZER)			QQ13	8-729-801-93	TRANSISTOR 2SD1387-34-TP (DE945)
D106	8-719-313-45	LED SEL6810A-TH10 (BASS BOOST)			QQ14	8-729-801-93	TRANSISTOR 2SD1387-34-TP (DE945)

Ref. No.	Part No.	Description	Remark	Ref. No.	Part No.	Description	Remark
< RESISTOR >							
R100	1-216-089-00	RES-CHIP 47K	5% 1/10W	R177	1-216-001-00	METAL CHIP	10 5% 1/10W
R101	1-216-049-11	RES-CHIP 1K	5% 1/10W	R178	1-216-073-00	METAL CHIP	10K 5% 1/10W
R102	1-216-049-11	RES-CHIP 1K	5% 1/10W	R179	1-216-065-00	RES-CHIP	4.7K 5% 1/10W
R103	1-216-049-11	RES-CHIP 1K	5% 1/10W	R180	1-216-081-00	METAL CHIP	22K 5% 1/10W
R104	1-216-049-11	RES-CHIP 1K	5% 1/10W	R181	1-216-081-00	METAL CHIP	22K 5% 1/10W
R105	1-216-049-11	RES-CHIP 1K	5% 1/10W	R182	1-216-049-11	RES-CHIP	1K 5% 1/10W
R106	1-216-049-11	RES-CHIP 1K	5% 1/10W	R183	1-216-049-11	RES-CHIP	1K 5% 1/10W
△ R107	1-249-385-11	CARBON 2.2	5% 1/6W F	R184	1-216-049-11	RES-CHIP	1K 5% 1/10W
△ R108	1-249-385-11	CARBON 2.2	5% 1/6W F	R185	1-216-049-11	RES-CHIP	1K 5% 1/10W
R109	1-216-025-00	RES-CHIP 100	5% 1/10W (DE945)	R186	1-216-049-11	RES-CHIP	1K 5% 1/10W
R110	1-216-049-11	RES-CHIP 1K	5% 1/10W (DE945)	R187	1-216-049-11	RES-CHIP	1K 5% 1/10W
R111	1-216-065-00	RES-CHIP 4.7K	5% 1/10W	R188	1-216-065-00	RES-CHIP	4.7K 5% 1/10W
R112	1-216-037-00	METAL CHIP 330	5% 1/10W	R189	1-216-117-00	METAL CHIP	680K 5% 1/10W
R113	1-216-041-00	METAL CHIP 470	5% 1/10W	R190	1-216-097-00	RES-CHIP	100K 5% 1/10W
R114	1-216-045-00	METAL CHIP 680	5% 1/10W	R191	1-216-073-00	METAL CHIP	10K 5% 1/10W
R115	1-216-049-11	RES-CHIP 1K	5% 1/10W	R192	1-216-073-00	METAL CHIP	10K 5% 1/10W
R116	1-216-053-00	METAL CHIP 1.5K	5% 1/10W	R193	1-216-073-00	METAL CHIP	10K 5% 1/10W
R117	1-216-057-00	METAL CHIP 2.2K	5% 1/10W	R194	1-216-073-00	METAL CHIP	10K 5% 1/10W
R118	1-216-065-00	RES-CHIP 4.7K	5% 1/10W	R195	1-216-065-00	RES-CHIP	4.7K 5% 1/10W (DE945)
R119	1-216-025-00	RES-CHIP 100	5% 1/10W (DE945)	R196	1-216-073-00	METAL CHIP	10K 5% 1/10W (DE945)
R120	1-216-025-00	RES-CHIP 100	5% 1/10W (DE945)	R197	1-216-073-00	METAL CHIP	10K 5% 1/10W (DE945)
R121	1-216-065-00	RES-CHIP 4.7K	5% 1/10W	R198	1-216-073-00	METAL CHIP	10K 5% 1/10W
R122	1-216-037-00	METAL CHIP 330	5% 1/10W	R199	1-216-073-00	METAL CHIP	10K 5% 1/10W
R123	1-216-041-00	METAL CHIP 470	5% 1/10W	RR11	1-216-025-00	RES-CHIP 100	5% 1/10W (US, CND)
R124	1-216-045-00	METAL CHIP 680	5% 1/10W	RR12	1-216-025-00	RES-CHIP 100	5% 1/10W (US, CND)
R125	1-216-049-11	RES-CHIP 1K	5% 1/10W	RR13	1-216-025-00	RES-CHIP 100	5% 1/10W (US, CND)
R126	1-216-073-00	METAL CHIP 10K	5% 1/10W	RR14	1-216-025-00	RES-CHIP 100	5% 1/10W (US, CND)
R127	1-216-073-00	METAL CHIP 10K	5% 1/10W	RR15	1-216-073-00	METAL CHIP 10K	5% 1/10W (DE945)
R129	1-216-025-00	RES-CHIP 100	5% 1/10W	RR16	1-216-065-00	RES-CHIP 4.7K	5% 1/10W (DE945)
R130	1-216-097-00	RES-CHIP 100K	5% 1/10W	RR17	1-216-073-00	METAL CHIP 10K	5% 1/10W (DE945)
R131	1-216-065-00	RES-CHIP 4.7K	5% 1/10W	RR18	1-216-073-00	METAL CHIP 10K	5% 1/10W (DE945)
R132	1-216-037-00	METAL CHIP 330	5% 1/10W	RR19	1-216-298-00	METAL CHIP 2.2	5% 1/10W (DE945)
R133	1-216-041-00	METAL CHIP 470	5% 1/10W	RR20	1-216-298-00	METAL CHIP 2.2	5% 1/10W (DE945)
R134	1-216-045-00	METAL CHIP 680	5% 1/10W	RR21	1-216-295-00	SHORT 0	(DE945)
R135	1-216-049-11	RES-CHIP 1K	5% 1/10W	RR22	1-216-295-00	SHORT 0	(DE945)
R136	1-216-053-00	METAL CHIP 1.5K	5% 1/10W (DE945)	RR23	1-216-097-00	RES-CHIP 100K	5% 1/10W (DE945)
R137	1-216-057-00	METAL CHIP 2.2K	5% 1/10W (DE945)	RR24	1-216-073-00	METAL CHIP 10K	5% 1/10W (DE945)
R141	1-216-065-00	RES-CHIP 4.7K	5% 1/10W	RR25	1-216-089-00	RES-CHIP 47K	5% 1/10W
R142	1-216-037-00	METAL CHIP 330	5% 1/10W	RR27	1-216-089-00	RES-CHIP 47K	5% 1/10W
R143	1-216-041-00	METAL CHIP 470	5% 1/10W	RR28	1-216-089-00	RES-CHIP 47K	5% 1/10W
R144	1-216-045-00	METAL CHIP 680	5% 1/10W	RR29	1-216-295-00	SHORT 0	(DE945)
R145	1-216-049-11	RES-CHIP 1K	5% 1/10W	RR30	1-216-295-00	SHORT 0	(DE945)
R146	1-216-053-00	METAL CHIP 1.5K	5% 1/10W	RR31	1-216-073-00	METAL CHIP 10K	5% 1/10W (DE945)
R147	1-216-057-00	METAL CHIP 2.2K	5% 1/10W	RR32	1-216-073-00	METAL CHIP 10K	5% 1/10W (DE945)
R148	1-216-065-00	RES-CHIP 4.7K	5% 1/10W				
R151	1-216-065-00	RES-CHIP 4.7K	5% 1/10W				
R161	1-216-065-00	RES-CHIP 4.7K	5% 1/10W				
R171	1-216-073-00	METAL CHIP 10K	5% 1/10W				
R172	1-216-001-00	METAL CHIP 10	5% 1/10W				
R175	1-216-089-00	RES-CHIP 47K	5% 1/10W				
R176	1-216-073-00	METAL CHIP 10K	5% 1/10W				

The components identified by mark △ or dotted line with mark △ are critical for safety. Replace only with part number specified.

Les composants identifiés par une marque △ sont critiques pour la sécurité. Ne les remplacer que par une pièce portant le numéro spécifié.

以阴影和 △ 标志来识别的零部件，在安全方面具有关键性。因此只能以规定号码的零部件来更换。

<b>DISPLAY</b>	<b>H. P</b>	<b>JOINT (1) (H)</b>	<b>MAIN</b>
----------------	-------------	----------------------	-------------

Ref. No.	Part No.	Description	Remark
RR33	1-216-073-00	METAL CHIP 10K 5%	1/10W (DE945)
RR34	1-216-073-00	METAL CHIP 10K 5%	1/10W (DE945)
RR35	1-216-073-00	METAL CHIP 10K 5%	1/10W (DE945)
RR36	1-216-049-11	RES-CHIP 1K 5%	1/10W (DE945)
RR37	1-216-049-11	RES-CHIP 1K 5%	1/10W (DE945)
RR51	1-216-029-00	METAL CHIP 150 5%	1/10W
RR52	1-216-029-00	METAL CHIP 150 5%	1/10W
RR53	1-216-029-00	METAL CHIP 150 5%	1/10W
RR54	1-216-037-00	METAL CHIP 330 5%	1/10W
RR61	1-216-029-00	METAL CHIP 150 5%	1/10W
RR62	1-216-029-00	METAL CHIP 150 5%	1/10W
RR63	1-216-029-00	METAL CHIP 150 5%	1/10W
RR74	1-216-037-00	METAL CHIP 330 5%	1/10W
RR75	1-216-029-00	METAL CHIP 150 5%	1/10W
RR76	1-216-029-00	METAL CHIP 150 5%	1/10W
< SWITCH >			
S111	1-771-349-21	SWITCH, KEYBOARD (<)	
S112	1-771-349-21	SWITCH, KEYBOARD (>)	
S113	1-771-349-21	SWITCH, KEYBOARD (LEVEL)	
S114	1-771-349-21	SWITCH, KEYBOARD (SUR)	
S115	1-771-349-21	SWITCH, KEYBOARD (EQ)	
S116	1-771-349-21	SWITCH, KEYBOARD (ENTER)	
S117	1-771-349-21	SWITCH, KEYBOARD (NAME)	
S118	1-771-349-21	SWITCH, KEYBOARD (SET UP)	
S121	1-771-349-21	SWITCH, KEYBOARD (C)	
S122	1-771-349-21	SWITCH, KEYBOARD (B)	
S123	1-771-349-21	SWITCH, KEYBOARD (A)	
S124	1-771-349-21	SWITCH, KEYBOARD (2CH)	
S125	1-771-349-21	SWITCH, KEYBOARD (MODE)	
S131	1-771-349-21	SWITCH, KEYBOARD (DVD/LD)	
S132	1-771-349-21	SWITCH, KEYBOARD (VIDEO 3)	
S133	1-771-349-21	SWITCH, KEYBOARD (CD)	
S134	1-771-349-21	SWITCH, KEYBOARD (TUNER)	
S135	1-771-349-21	SWITCH, KEYBOARD (A.F.D)	
S136	1-771-349-21	SWITCH, KEYBOARD (PHONO) (DE945)	
S137	1-771-349-21	SWITCH, KEYBOARD (TV/SAT) (DE945)	
S141	1-771-349-21	SWITCH, KEYBOARD (MD/DAT)	
S142	1-771-349-21	SWITCH, KEYBOARD (VIDEO 2)	
S143	1-771-349-21	SWITCH, KEYBOARD (INPUT MODE)	
S144	1-771-349-21	SWITCH, KEYBOARD (5.1CH INPUT) (DE945)	
S145	1-771-349-21	SWITCH, KEYBOARD (DISPLAY)	
S146	1-771-349-21	SWITCH, KEYBOARD (DIMMER)	
S147	1-771-349-21	SWITCH, KEYBOARD (VUDEO 1)	
S148	1-771-349-21	SWITCH, KEYBOARD (TAPE)	
S149	1-771-349-21	SWITCH, KEYBOARD (5.1CH INPUT) (DE845)	
< VIBRATOR >			
X11	1-767-938-21	VIBRATOR, CERAMIC (7.28MHZ) (DE945)	
X101	1-781-356-21	VIBRATOR, CERAMIC (6MHZ)	

\*\*\*\*\*

Ref. No.	Part No.	Description	Remark
	1-677-002-11	H. P BOARD *****	
		< CONNECTOR >	
CNP751	1-779-978-11	PIN, CONNECTOR 3P	
		< TERMINAL >	
* EB701	1-537-738-21	TERMINAL, EARTH	
		< JACK >	
J701	1-750-735-11	JACK (LARGE TYPE) (PHONES)	
*****			
	1-676-992-11	JOINT (1) (H) BOARD (DE845) *****	
		< CONNECTOR >	
CNP211	1-695-089-11	PIN, CONNECTOR (PC BOARD) 11P	
CNP212	1-695-089-11	PIN, CONNECTOR (PC BOARD) 11P	
*****			
	A-4428-764-A	MAIN BOARD, COMPLETE (DE845: US)	
	A-4428-793-A	MAIN BOARD, COMPLETE (DE845: CND)	
	A-4428-794-A	MAIN BOARD, COMPLETE (EXCEPT US, CND)	
	A-4428-813-A	MAIN BOARD, COMPLETE (DE945: US)	
	A-4428-822-A	MAIN BOARD, COMPLETE (DE945: CND) *****	
	7-685-872-09	SCREW +BVTT 3X8 (S)	
		< CAPACITOR >	
C301	1-126-961-11	ELECT 2.2uF 20% 50V	
C302	1-128-809-11	CERAMIC 100PF 5% 50V (EXCEPT US, CND)	
C303	1-126-934-11	ELECT 220uF 20% 10V	
C304	1-125-896-91	MYLAR 0.0091uF 5% 50V	
C305	1-136-159-00	MYLAR 0.033uF 5% 50V	
C306	1-126-961-11	ELECT 2.2uF 20% 50V	
C307	1-128-809-11	CERAMIC 100PF 5% 50V (EXCEPT US, CND)	
C308	1-128-813-11	CERAMIC 220PF 5% 50V (EXCEPT US, CND)	
C309	1-128-809-11	CERAMIC 100PF 5% 50V (DE945)	
C311	1-126-965-11	ELECT 22uF 20% 50V	
C312	1-127-868-11	CERAMIC 2200PF 10% 50V	
C313	1-127-868-11	CERAMIC 2200PF 10% 50V	
C314	1-128-825-11	CERAMIC 2200PF 5% 50V (DE945)	
C315	1-127-868-11	CERAMIC 2200PF 10% 50V	
C320	1-126-965-11	ELECT 22uF 20% 50V (DE945)	
C330	1-126-965-11	ELECT 22uF 20% 50V (DE945)	
C331	1-126-965-11	ELECT 22uF 20% 50V	
C340	1-127-880-11	CERAMIC 0.022uF 10% 50V (DE945)	
C350	1-127-880-11	CERAMIC 0.022uF 10% 50V (DE945)	
C351	1-126-961-11	ELECT 2.2uF 20% 50V	

Ref. No.	Part No.	Description	Remark			Ref. No.	Part No.	Description	Remark		
C352	1-128-809-11	CERAMIC	100PF	5%	50V	C523	1-128-813-11	CERAMIC	220PF	5%	50V
C353	1-126-934-11	ELECT	220uF	20%	10V	C524	1-126-795-11	ELECT	10uF	20%	50V
C354	1-125-896-91	MYLAR	0.0091uF	5%	50V	C525	1-136-157-00	MYLAR	0.022uF	5%	50V
C355	1-136-159-00	MYLAR	0.033uF	5%	50V	C526	1-136-153-00	FILM	0.01uF	5%	50V
C356	1-126-961-11	ELECT	2.2uF	20%	50V	C539	1-128-809-11	CERAMIC	100PF	5%	50V
C357	1-128-809-11	CERAMIC	100PF	5%	50V	C551	1-126-965-11	ELECT	22uF	20%	50V
C358	1-128-813-11	CERAMIC	220PF	5%	50V	C552	1-128-811-11	CERAMIC	150PF	5%	50V
C361	1-126-965-11	ELECT	22uF	20%	50V	C553	1-102-233-00	CERAMIC	33PF	10%	500V
C370	1-126-965-11	ELECT	22uF	20%	50V	C555	1-126-934-11	ELECT	220uF	20%	10V
C380	1-126-965-11	ELECT	22uF	20%	50V	C571	1-107-597-11	CERAMIC	22PF	10%	500V
C381	1-126-965-11	ELECT	22uF	20%	50V	C572	1-107-597-11	CERAMIC	22PF	10%	500V
C388	1-127-880-11	CERAMIC	0.022uF	10%	50V	C573	1-128-813-11	CERAMIC	220PF	5%	50V
C389	1-127-880-11	CERAMIC	0.022uF	10%	50V	C574	1-126-964-11	ELECT	10uF	20%	50V
C392	1-127-880-11	CERAMIC	0.022uF	10%	50V	C575	1-136-157-00	MYLAR	0.022uF	5%	50V
C394	1-127-880-11	CERAMIC	0.022uF	10%	50V	C576	1-136-153-00	FILM	0.01uF	5%	50V
C395	1-128-809-11	CERAMIC	100PF	5%	50V	C589	1-128-809-11	CERAMIC	100PF	5%	50V
C396	1-127-880-11	CERAMIC	0.022uF	10%	50V	C590	1-126-935-11	ELECT	470uF	20%	6.3V
C397	1-127-880-11	CERAMIC	0.022uF	10%	50V	C594	1-128-560-11	ELECT	22uF	20%	100V
C398	1-128-809-11	CERAMIC	100PF	5%	50V	C595	1-128-560-11	ELECT	22uF	20%	100V
C401	1-127-880-11	CERAMIC	0.022uF	10%	50V	C598	1-126-965-11	ELECT	22uF	20%	50V
C402	1-127-880-11	CERAMIC	0.022uF	10%	50V	C601	1-126-965-11	ELECT	22uF	20%	50V
C403	1-128-809-11	CERAMIC	100PF	5%	50V	C602	1-128-811-11	CERAMIC	150PF	5%	50V
C404	1-128-809-11	CERAMIC	100PF	5%	50V	C603	1-102-233-00	CERAMIC	33PF	10%	500V
C410	1-126-965-11	ELECT	22uF	20%	50V	C605	1-126-934-11	ELECT	220uF	20%	10V
C411	1-126-965-11	ELECT	22uF	20%	50V	C621	1-107-597-11	CERAMIC	22PF	10%	500V
C412	1-126-965-11	ELECT	22uF	20%	50V	C622	1-107-597-11	CERAMIC	22PF	10%	500V
C417	1-126-965-11	ELECT	22uF	20%	50V	C623	1-128-813-11	CERAMIC	220PF	5%	50V
C418	1-126-965-11	ELECT	22uF	20%	50V	C624	1-126-964-11	ELECT	10uF	20%	50V
C419	1-128-809-11	CERAMIC	100PF	5%	50V	C625	1-136-157-00	MYLAR	0.022uF	5%	50V
C421	1-128-809-11	CERAMIC	100PF	5%	50V	C626	1-136-153-00	FILM	0.01uF	5%	50V
C422	1-128-809-11	CERAMIC	100PF	5%	50V	C639	1-128-809-11	CERAMIC	100PF	5%	50V
C423	1-128-809-11	CERAMIC	100PF	5%	50V	C651	1-126-796-11	ELECT	22uF	20%	50V
C460	1-126-965-11	ELECT	22uF	20%	50V	C652	1-126-796-11	ELECT	22uF	20%	50V
C461	1-126-965-11	ELECT	22uF	20%	50V	C701	1-126-965-11	ELECT	22uF	20%	50V
C462	1-126-965-11	ELECT	22uF	20%	50V	C702	1-128-811-11	CERAMIC	150PF	5%	50V
C466	1-126-965-11	ELECT	22uF	20%	50V	C703	1-102-233-00	CERAMIC	33PF	10%	500V
C467	1-126-965-11	ELECT	22uF	20%	50V	C705	1-126-934-11	ELECT	220uF	20%	10V
C468	1-126-965-11	ELECT	22uF	20%	50V	C721	1-107-597-11	CERAMIC	22PF	10%	500V
C471	1-128-809-11	CERAMIC	100PF	5%	50V	C722	1-107-597-11	CERAMIC	22PF	10%	500V
C472	1-128-809-11	CERAMIC	100PF	5%	50V	C723	1-128-813-11	CERAMIC	220PF	5%	50V
C473	1-128-809-11	CERAMIC	100PF	5%	50V	C724	1-126-964-11	ELECT	10uF	20%	50V
C481	1-136-173-00	MYLAR	0.47uF	5%	50V	C725	1-136-157-00	MYLAR	0.022uF	5%	50V
C482	1-136-173-00	MYLAR	0.47uF	5%	50V	C726	1-136-153-00	FILM	0.01uF	5%	50V
C491	1-104-664-11	ELECT	47uF	20%	16V	C739	1-128-809-11	CERAMIC	100PF	5%	50V
C496	1-126-942-61	ELECT	1000uF	20%	25V	C751	1-126-965-11	ELECT	22uF	20%	50V
C497	1-126-942-61	ELECT	1000uF	20%	25V	C752	1-128-811-11	CERAMIC	150PF	5%	50V
C499	1-104-664-11	ELECT	47uF	20%	16V	C753	1-102-233-00	CERAMIC	33PF	10%	500V
C501	1-126-965-11	ELECT	22uF	20%	50V	C755	1-126-934-11	ELECT	220uF	20%	10V
C502	1-128-811-11	CERAMIC	150PF	5%	50V	C771	1-107-597-11	CERAMIC	22PF	10%	500V
C503	1-102-233-00	CERAMIC	33PF	10%	500V	C772	1-107-597-11	CERAMIC	22PF	10%	500V
C505	1-126-934-11	ELECT	220uF	20%	10V	C773	1-128-813-11	CERAMIC	220PF	5%	50V
C521	1-107-597-11	CERAMIC	22PF	10%	500V	C775	1-136-157-00	MYLAR	0.022uF	5%	50V
C522	1-107-597-11	CERAMIC	22PF	10%	500V	C789	1-128-809-11	CERAMIC	100PF	5%	50V
											< CONNECTOR >
						CNP301	1-573-852-11	CONNECTOR, BOARD TO BOARD	20P		
						CNP511	1-784-921-11	PIN, CONNECTOR	4P		

# MAIN

Ref. No.	Part No.	Description	Remark	Ref. No.	Part No.	Description	Remark
CNP561	1-784-921-11	PIN, CONNECTOR 4P		D799	8-719-911-19	DIODE 1SS133T-72	
CNP601	1-785-104-11	PIN, CONNECTOR 6P				< IC >	
CNP602	1-785-104-11	PIN, CONNECTOR 6P					
CNP603	1-779-978-11	PIN, CONNECTOR 3P		IC301	8-759-582-64	IC TC9273N-004	
CNP611	1-784-921-11	PIN, CONNECTOR 4P		IC302	8-759-636-74	IC M5218AP-22	
CNP711	1-784-921-11	PIN, CONNECTOR 4P		IC303	8-759-582-65	IC TC9273N-014	
CNP751	1-779-978-21	PIN, CONNECTOR 3P		IC304	8-759-636-74	IC M5218AP-22	
CNP761	1-784-921-11	PIN, CONNECTOR 4P		IC309	8-759-636-74	IC M5218AP-22 (DE945)	
CNP811	1-785-102-11	PIN, CONNECTOR 4P		IC330	8-759-582-66	IC TC9273N-013 (DE945)	
CNP812	1-784-924-11	PIN, CONNECTOR 8P		IC401	8-759-231-59	IC M5F7815L	
CNS302	1-784-784-11	CONNECTOR, FFC 23P		IC402	8-759-245-87	IC M5F7915L	
CNS305	1-779-978-11	PIN, CONNECTOR 3P (DE945)		IC404	8-759-708-05	IC NJM78L05A-T3	
CNS306	1-784-782-11	CONNECTOR, FFC 21P		IC405	8-759-245-79	IC M5F7905L	
		< DIODE >		IC408	8-759-636-74	IC M5218AP-22	
D301	8-719-911-19	DIODE 1SS133T-72 (DE945)		IC409	8-759-636-74	IC M5218AP-22	
D501	8-719-911-19	DIODE 1SS133T-72		IC410	8-759-636-74	IC M5218AP-22	
D502	8-719-109-51	DIODE MTZJ-T-72-2.2		IC414	8-759-534-63	IC TC9299P	
D503	8-719-109-51	DIODE MTZJ-T-72-2.2		IC415	8-759-534-63	IC TC9299P	
D504	8-719-911-19	DIODE 1SS133T-72		IC416	8-759-534-63	IC TC9299P	
D505	8-719-911-19	DIODE 1SS133T-72		IC501	8-759-326-52	IC uPC2581V	
D506	8-719-911-19	DIODE 1SS133T-72		IC601	8-759-326-52	IC uPC2581V	
D545	8-719-911-19	DIODE 1SS133T-72		IC651	8-759-636-74	IC M5218AP-22	
D546	8-719-911-19	DIODE 1SS133T-72		IC701	8-759-326-52	IC uPC2581V	
D547	8-719-911-19	DIODE 1SS133T-72				< JACK >	
D548	8-719-911-19	DIODE 1SS133T-72		J301	1-695-188-31	JACK, PIN 4P (PHONO, CD)	
D549	8-719-911-19	DIODE 1SS133T-72		J302	1-695-188-31	JACK, PIN 4P (DE845: MD/TAPE, DE945: MD/DAT)	
D551	8-719-911-19	DIODE 1SS133T-72		J303	1-695-188-31	JACK, PIN 4P (TAPE IN/REC OUT) (DE945)	
D552	8-719-109-51	DIODE MTZJ-T-72-2.2		J304	1-774-411-11	JACK, PIN 6P (VIDEO 1, VIDEO2)	
D553	8-719-109-51	DIODE MTZJ-T-72-2.2		J305	1-774-411-11	JACK, PIN 6P (TV/SAT, DVD/LD)	
D554	8-719-911-19	DIODE 1SS133T-72		J306	1-774-822-11	JACK, PIN 2P (2ND AUDIO OUT) (DE945)	
D555	8-719-911-19	DIODE 1SS133T-72				< COIL >	
D556	8-719-911-19	DIODE 1SS133T-72		L501	1-420-872-00	COIL, AIR-CORE	
D598	8-719-911-19	DIODE 1SS133T-72		L551	1-420-872-00	COIL, AIR-CORE	
D599	8-719-911-19	DIODE 1SS133T-72				< TRANSISTOR >	
D601	8-719-911-19	DIODE 1SS133T-72		Q301	8-729-119-79	TRANSISTOR 2SC2785TP-FEK (DE945)	
D602	8-719-109-51	DIODE MTZJ-T-72-2.2		Q501	8-729-900-36	TRANSISTOR BA1F4M-TP	
D603	8-719-109-51	DIODE MTZJ-T-72-2.2		Q503	8-729-900-63	TRANSISTOR BN1F4M-TP	
D604	8-719-911-19	DIODE 1SS133T-72		Q506	8-729-051-93	TRANSISTOR 2SB1647 (DE945)	
D605	8-719-911-19	DIODE 1SS133T-72		Q506	8-749-010-26	IC MP1620-OPY-M (DE845)	
D606	8-719-911-19	DIODE 1SS133T-72		Q507	8-729-051-92	TRANSISTOR 2SD2560 (DE945)	
D607	8-719-911-19	DIODE 1SS133T-72		Q507	8-749-010-25	IC MN2488-OPY-M (DE845)	
D608	8-719-911-19	DIODE 1SS133T-72		Q508	8-729-140-82	TRANSISTOR 2SA988TP-PAFAEA	
D649	8-719-911-19	DIODE 1SS133T-72		Q509	8-729-281-53	TRANSISTOR 2SC1815GR-TPE2	
D681	8-719-911-19	DIODE 1SS133T-72		Q510	8-729-900-63	TRANSISTOR BN1F4M-TP	
D698	8-719-911-19	DIODE 1SS133T-72		Q511	8-729-900-63	TRANSISTOR BN1F4M-TP	
D701	8-719-911-19	DIODE 1SS133T-72		Q546	8-729-119-79	TRANSISTOR 2SC2785TP-FEK	
D702	8-719-109-51	DIODE MTZJ-T-72-2.2		Q547	8-729-140-84	TRANSISTOR 2SC1841TP-PAFAEA	
D703	8-719-109-51	DIODE MTZJ-T-72-2.2		Q548	8-729-119-79	TRANSISTOR 2SC2785TP-FEK	
D704	8-719-911-19	DIODE 1SS133T-72		Q549	8-729-140-82	TRANSISTOR 2SA988TP-PAFAEA	
D705	8-719-911-19	DIODE 1SS133T-72		Q556	8-729-051-93	TRANSISTOR 2SB1647 (DE945)	
D706	8-719-911-19	DIODE 1SS133T-72		Q556	8-749-010-26	IC MP1620-OPY-M (DE845)	
D749	8-719-911-19	DIODE 1SS133T-72		Q557	8-729-051-92	TRANSISTOR 2SD2560 (DE945)	
D751	8-719-911-19	DIODE 1SS133T-72		Q557	8-749-010-25	IC MN2488-OPY-M (DE845)	
D752	8-719-109-51	DIODE MTZJ-T-72-2.2					
D753	8-719-109-51	DIODE MTZJ-T-72-2.2					
D754	8-719-911-19	DIODE 1SS133T-72					
D798	8-719-911-19	DIODE 1SS133T-72					

Ref. No.	Part No.	Description	Remark	Ref. No.	Part No.	Description	Remark
Q558	8-729-140-82	TRANSISTOR 2SA988TP-PAFAEA		R317	1-249-417-11	CARBON 1K	5% 1/4W
Q559	8-729-281-53	TRANSISTOR 2SC1815GR-TPE2		R318	1-249-421-11	CARBON 2.2K	5% 1/4W
Q560	8-729-900-63	TRANSISTOR BN1F4M-TP		R319	1-249-417-11	CARBON 1K	5% 1/4W
Q561	8-729-900-63	TRANSISTOR BN1F4M-TP		R320	1-249-417-11	CARBON 1K	5% 1/4W
Q596	8-729-119-79	TRANSISTOR 2SC2785TP-FEK		R321	1-247-807-31	CARBON 100	5% 1/4W (DE945)
Q598	8-729-140-82	TRANSISTOR 2SA988TP-PAFAEA		R322	1-249-417-11	CARBON 1K	5% 1/4W (DE945)
Q599	8-729-140-82	TRANSISTOR 2SA988TP-PAFAEA		R326	1-249-417-11	CARBON 1K	5% 1/4W
Q601	8-729-119-79	TRANSISTOR 2SC2785TP-FEK		R330	1-247-887-00	CARBON 220K	5% 1/4W (DE945)
Q606	8-729-051-93	TRANSISTOR 2SB1647 (DE945)		R331	1-247-887-00	CARBON 220K	5% 1/4W (DE945)
Q606	8-749-010-26	IC MP1620-OPY-M (DE845)		R335	1-247-887-00	CARBON 220K	5% 1/4W
Q607	8-729-051-92	TRANSISTOR 2SD2560 (DE945)		R336	1-249-429-11	CARBON 10K	5% 1/4W (DE945)
Q607	8-749-010-25	IC MN2488-OPY-M (DE845)		R337	1-249-425-11	CARBON 4.7K	5% 1/4W (DE945)
Q608	8-729-140-82	TRANSISTOR 2SA988TP-PAFAEA		R338	1-249-441-11	CARBON 100K	5% 1/4W (DE945)
Q609	8-729-281-53	TRANSISTOR 2SC1815GR-TPE2		R341	1-249-437-11	CARBON 47K	5% 1/4W (DE945)
Q610	8-729-900-63	TRANSISTOR BN1F4M-TP		R342	1-249-425-11	CARBON 4.7K	5% 1/4W (DE945)
Q611	8-729-900-63	TRANSISTOR BN1F4M-TP		R351	1-249-421-11	CARBON 2.2K	5% 1/4W (EXCEPT US, CND)
Q613	8-729-281-53	TRANSISTOR 2SC1815GR-TPE2		R352	1-249-441-11	CARBON 100K	5% 1/4W
Q645	8-729-119-79	TRANSISTOR 2SC2785TP-FEK		R353	1-249-440-11	CARBON 82K	5% 1/4W
Q681	8-729-119-79	TRANSISTOR 2SC2785TP-FEK		R354	1-249-408-11	CARBON 180	5% 1/4W
Q698	8-729-140-82	TRANSISTOR 2SA988TP-PAFAEA		R355	1-249-428-11	CARBON 8.2K	5% 1/4W
Q706	8-729-051-93	TRANSISTOR 2SB1647 (DE945)		R356	1-249-441-11	CARBON 100K	5% 1/4W
Q706	8-749-010-26	IC MP1620-OPY-M (DE845)		R357	1-247-807-31	CARBON 100	5% 1/4W
Q707	8-729-051-92	TRANSISTOR 2SD2560 (DE945)		R358	1-249-441-11	CARBON 100K	5% 1/4W
Q707	8-749-010-25	IC MN2488-OPY-M (DE845)		R359	1-249-413-11	CARBON 470	5% 1/4W
Q708	8-729-140-82	TRANSISTOR 2SA988TP-PAFAEA		R360	1-249-417-11	CARBON 1K	5% 1/4W
Q709	8-729-281-53	TRANSISTOR 2SC1815GR-TPE2		R361	1-249-421-11	CARBON 2.2K	5% 1/4W
Q710	8-729-900-63	TRANSISTOR BN1F4M-TP		R362	1-249-417-11	CARBON 1K	5% 1/4W
Q745	8-729-119-79	TRANSISTOR 2SC2785TP-FEK		R363	1-249-421-11	CARBON 2.2K	5% 1/4W (DE945)
Q756	8-729-051-93	TRANSISTOR 2SB1647 (DE945)		R364	1-249-417-11	CARBON 1K	5% 1/4W (DE945)
Q756	8-749-010-26	IC MP1620-OPY-M (DE845)		R366	1-249-421-11	CARBON 2.2K	5% 1/4W
Q757	8-729-051-92	TRANSISTOR 2SD2560 (DE945)		R367	1-249-417-11	CARBON 1K	5% 1/4W
Q757	8-749-010-25	IC MN2488-OPY-M (DE845)		R368	1-249-421-11	CARBON 2.2K	5% 1/4W
Q758	8-729-140-82	TRANSISTOR 2SA988TP-PAFAEA		R369	1-249-417-11	CARBON 1K	5% 1/4W
Q798	8-729-140-82	TRANSISTOR 2SA988TP-PAFAEA		R370	1-249-417-11	CARBON 1K	5% 1/4W
Q799	8-729-140-82	TRANSISTOR 2SA988TP-PAFAEA		R371	1-247-807-31	CARBON 100	5% 1/4W (DE945)
< RESISTOR >				R376	1-249-417-11	CARBON 1K	5% 1/4W
R301	1-249-421-11	CARBON 2.2K	5% 1/4W (EXCEPT US, CND)	R380	1-247-887-00	CARBON 220K	5% 1/4W (DE945)
R302	1-249-441-11	CARBON 100K	5% 1/4W	R381	1-247-887-00	CARBON 220K	5% 1/4W
R303	1-249-440-11	CARBON 82K	5% 1/4W	R385	1-247-887-00	CARBON 220K	5% 1/4W
R304	1-249-408-11	CARBON 180	5% 1/4W	R388	1-249-441-11	CARBON 100K	5% 1/4W (DE945)
R305	1-249-428-11	CARBON 8.2K	5% 1/4W	R391	1-249-437-11	CARBON 47K	5% 1/4W (DE945)
R306	1-249-441-11	CARBON 100K	5% 1/4W	R392	1-249-425-11	CARBON 4.7K	5% 1/4W (DE945)
R307	1-247-807-31	CARBON 100	5% 1/4W	R396	1-249-417-11	CARBON 1K	5% 1/4W
R308	1-249-441-11	CARBON 100K	5% 1/4W	R398	1-249-417-11	CARBON 1K	5% 1/4W
R309	1-249-413-11	CARBON 470	5% 1/4W	R401	1-249-417-11	CARBON 1K	5% 1/4W
R310	1-249-417-11	CARBON 1K	5% 1/4W	R402	1-249-417-11	CARBON 1K	5% 1/4W
R311	1-249-421-11	CARBON 2.2K	5% 1/4W				
R312	1-249-417-11	CARBON 1K	5% 1/4W				
R313	1-249-421-11	CARBON 2.2K	5% 1/4W (DE945)				
R314	1-249-417-11	CARBON 1K	5% 1/4W (DE945)				
△ R315	1-249-393-11	CARBON 10	5% 1/4W F (DE945)				
R316	1-249-421-11	CARBON 2.2K	5% 1/4W				

<p>The components identified by mark △ or dotted line with mark △ are critical for safety. Replace only with part number specified.</p>	<p>Les composants identifiés par une marque △ sont critiques pour la sécurité. Ne les remplacer que par une pièce portant le numéro spécifié.</p>	<p>以阴影和 △ 标志来识别的零部件，在安全方面具有关键性。因此只能以规定号码的零部件来更换。</p>
---	---	--

# MAIN

Ref. No.	Part No.	Description	Remark	Ref. No.	Part No.	Description	Remark	
R403	1-249-417-11	CARBON	1K 5%	1/4W	R554	1-247-843-11	CARBON 3.3K 5%	1/4W
R404	1-249-417-11	CARBON	1K 5%	1/4W	R555	1-249-439-11	CARBON 68K 5%	1/4W
R405	1-249-417-11	CARBON	1K 5%	1/4W	R556	1-249-437-11	CARBON 47K 5%	1/4W
R406	1-249-417-11	CARBON	1K 5%	1/4W	△R574	1-249-405-11	CARBON 100 5%	1/4W F
R407	1-249-417-11	CARBON	1K 5%	1/4W	△R575	1-249-405-11	CARBON 100 5%	1/4W F
R408	1-249-417-11	CARBON	1K 5%	1/4W	△R576	1-234-182-11	ENCAPSULATED COMPONENT 0.22	5W F
R413	1-249-441-11	CARBON	100K 5%	1/4W	△R577	1-240-855-91	CARBON 6.2K 5%	1/4W F
R414	1-249-441-11	CARBON	100K 5%	1/4W	R578	1-249-425-11	CARBON 4.7K 5%	1/4W
R415	1-249-441-11	CARBON	100K 5%	1/4W	R579	1-247-866-11	CARBON 30K 5%	1/4W
R416	1-249-426-11	CARBON	5.6K 5%	1/4W	R580	1-249-421-11	CARBON 2.2K 5%	1/4W
R417	1-249-425-11	CARBON	4.7K 5%	1/4W	R581	1-249-433-11	CARBON 22K 5%	1/4W
R418	1-249-425-11	CARBON	4.7K 5%	1/4W	R582	1-249-437-11	CARBON 47K 5%	1/4W
R419	1-249-437-11	CARBON	47K 5%	1/4W	△R583	1-249-393-11	CARBON 10 5%	1/4W F
R420	1-249-437-11	CARBON	47K 5%	1/4W	△R584	1-249-389-11	CARBON 4.7 5%	1/4W F
R421	1-249-437-11	CARBON	47K 5%	1/4W	R585	1-249-431-11	CARBON 15K 5%	1/4W
R430	1-247-887-00	CARBON	220K 5%	1/4W (DE945)	R586	1-249-429-11	CARBON 10K 5%	1/4W
R452	1-249-417-11	CARBON	1K 5%	1/4W	R587	1-249-425-11	CARBON 4.7K 5%	1/4W
R453	1-249-417-11	CARBON	1K 5%	1/4W	△R588	1-249-393-11	CARBON 10 5%	1/4W F
R454	1-249-417-11	CARBON	1K 5%	1/4W	R590	1-249-433-11	CARBON 22K 5%	1/4W
R463	1-249-441-11	CARBON	100K 5%	1/4W	△R592	1-249-381-11	CARBON 1 5%	1/4W F
R464	1-249-441-11	CARBON	100K 5%	1/4W	△R593	1-249-381-11	CARBON 1 5%	1/4W F
R465	1-249-441-11	CARBON	100K 5%	1/4W	R594	1-249-425-11	CARBON 4.7K 5%	1/4W
R466	1-249-426-11	CARBON	5.6K 5%	1/4W	R595	1-249-420-11	CARBON 1.8K 5%	1/4W
R467	1-249-437-11	CARBON	47K 5%	1/4W	R596	1-249-431-11	CARBON 15K 5%	1/4W
R468	1-249-425-11	CARBON	4.7K 5%	1/4W	R597	1-249-420-11	CARBON 1.8K 5%	1/4W
R469	1-249-437-11	CARBON	47K 5%	1/4W	R599	1-249-431-11	CARBON 15K 5%	1/4W
R470	1-249-437-11	CARBON	47K 5%	1/4W	R601	1-249-417-11	CARBON 1K 5%	1/4W
R471	1-249-437-11	CARBON	47K 5%	1/4W	R602	1-249-439-11	CARBON 68K 5%	1/4W
R480	1-247-887-00	CARBON	220K 5%	1/4W (DE945)	R603	1-249-439-11	CARBON 68K 5%	1/4W
R501	1-249-417-11	CARBON	1K 5%	1/4W	R604	1-249-418-11	CARBON 1.2K 5%	1/4W
R502	1-249-439-11	CARBON	68K 5%	1/4W	△R624	1-249-405-11	CARBON 100 5%	1/4W F
R503	1-249-439-11	CARBON	68K 5%	1/4W	△R625	1-249-405-11	CARBON 100 5%	1/4W F
R504	1-247-843-11	CARBON	3.3K 5%	1/4W	△R626	1-234-182-11	ENCAPSULATED COMPONENT 0.22	5W F
R505	1-249-439-11	CARBON	68K 5%	1/4W	△R627	1-240-855-91	CARBON 6.2K 5%	1/4W F
△R524	1-249-405-11	CARBON	100 5%	1/4W F	R628	1-249-425-11	CARBON 4.7K 5%	1/4W
△R525	1-249-405-11	CARBON	100 5%	1/4W F	R629	1-247-866-11	CARBON 30K 5%	1/4W
△R526	1-240-924-11	ENCAPSULATED COMPONENT 0.22	5W F		R630	1-249-421-11	CARBON 2.2K 5%	1/4W
△R527	1-240-855-91	CARBON	6.2K 5%	1/4W F	R631	1-249-433-11	CARBON 22K 5%	1/4W
R528	1-249-425-11	CARBON	4.7K 5%	1/4W	R632	1-249-437-11	CARBON 47K 5%	1/4W
R529	1-247-866-11	CARBON	30K 5%	1/4W	△R633	1-249-393-11	CARBON 10 5%	1/4W F
R530	1-249-421-11	CARBON	2.2K 5%	1/4W	R634	1-249-441-11	CARBON 100K 5%	1/4W
R531	1-249-433-11	CARBON	22K 5%	1/4W	R635	1-249-431-11	CARBON 15K 5%	1/4W
R532	1-249-437-11	CARBON	47K 5%	1/4W	R636	1-249-433-11	CARBON 22K 5%	1/4W
△R533	1-249-393-11	CARBON	10 5%	1/4W F	△R642	1-216-453-00	METAL OXIDE 270	5% 2W F (US, E)
△R534	1-249-389-11	CARBON	4.7 5%	1/4W F	△R642	1-216-454-11	METAL OXIDE 390	5% 2W F (EXCEPT US, CND, E)
R535	1-249-431-11	CARBON	15K 5%	1/4W	△R642	1-215-890-11	METAL OXIDE 470	5% 2W F (CND)
R539	1-249-427-11	CARBON	6.8K 5%	1/4W	R643	1-249-433-11	CARBON 22K 5%	1/4W
R540	1-249-417-11	CARBON	1K 5%	1/4W	R647	1-249-429-11	CARBON 10K 5%	1/4W
R541	1-249-436-11	CARBON	39K 5%	1/4W	R648	1-249-425-11	CARBON 4.7K 5%	1/4W
R542	1-249-429-11	CARBON	10K 5%	1/4W	△R649	1-249-393-11	CARBON 10 5%	1/4W F
R547	1-249-425-11	CARBON	4.7K 5%	1/4W	R650	1-249-425-11	CARBON 4.7K 5%	1/4W
R548	1-249-429-11	CARBON	10K 5%	1/4W	R651	1-249-417-11	CARBON 1K 5%	1/4W
△R549	1-249-393-11	CARBON	10 5%	1/4W F	R652	1-249-427-11	CARBON 6.8K 5%	1/4W
R551	1-249-417-11	CARBON	1K 5%	1/4W	R653	1-249-441-11	CARBON 100K 5%	1/4W
R552	1-249-439-11	CARBON	68K 5%	1/4W	R654	1-249-439-11	CARBON 68K 5%	1/4W
R553	1-249-439-11	CARBON	68K 5%	1/4W				

<p>The components identified by mark △ or dotted line with mark △ are critical for safety. Replace only with part number specified.</p>	<p>Les composants identifiés par une marque △ sont critiques pour la sécurité. Ne les remplacer que par une pièce portant le numéro spécifié.</p>	<p>以阴影和 △ 标志来识别的零部件，在安全方面具有关键性。因此只能以规定号码的零部件来更换。</p>
---	---	--



Ref. No.	Part No.	Description	Remark	Ref. No.	Part No.	Description	Remark
R655	1-249-439-11	CARBON	68K 5%	1/4W	1-677-000-11	MUTING BOARD	
R657	1-249-429-11	CARBON	10K 5%	1/4W		*****	
△ R658	1-249-393-11	CARBON	10 5%	1/4W F		< CAPACITOR >	
R680	1-249-429-11	CARBON	10K 5%	1/4W			
R681	1-249-425-11	CARBON	4.7K 5%	1/4W	C112	1-165-319-11	CERAMIC CHIP 0.1uF 50V
△ R682	1-249-393-11	CARBON	10 5%	1/4W F	C119	1-165-319-11	CERAMIC CHIP 0.1uF 50V
R690	1-249-433-11	CARBON	22K 5%	1/4W		< DIODE >	
R695	1-249-420-11	CARBON	1.8K 5%	1/4W			
R696	1-249-431-11	CARBON	15K 5%	1/4W	D101	8-719-046-39	LED SEL5821A-TP15 (MUTING)
R701	1-249-417-11	CARBON	1K 5%	1/4W		< RESISTOR >	
R702	1-249-439-11	CARBON	68K 5%	1/4W			
R703	1-249-439-11	CARBON	68K 5%	1/4W			
R704	1-249-418-11	CARBON	1.2K 5%	1/4W			
R705	1-249-439-11	CARBON	68K 5%	1/4W	R152	1-216-037-00	METAL CHIP 330 5% 1/10W
△ R724	1-249-405-11	CARBON	100 5%	1/4W F	R153	1-216-041-00	METAL CHIP 470 5% 1/10W
△ R725	1-249-405-11	CARBON	100 5%	1/4W F	R154	1-216-045-00	METAL CHIP 680 5% 1/10W
△ R726	1-234-182-11	ENCAPSULATED COMPONENT	0.22 5W	F	R155	1-216-049-11	RES-CHIP 1K 5% 1/10W
					R156	1-216-053-00	METAL CHIP 1.5K 5% 1/10W
△ R727	1-240-855-91	CARBON	6.2K 5%	1/4W F			
R728	1-249-425-11	CARBON	4.7K 5%	1/4W	R157	1-216-057-00	METAL CHIP 2.2K 5% 1/10W
R729	1-247-866-11	CARBON	30K 5%	1/4W			(DE945)
R730	1-249-421-11	CARBON	2.2K 5%	1/4W	R162	1-216-037-00	METAL CHIP 330 5% 1/10W
R731	1-249-433-11	CARBON	22K 5%	1/4W	R163	1-216-041-00	METAL CHIP 470 5% 1/10W
R732	1-249-437-11	CARBON	47K 5%	1/4W	R164	1-216-045-00	METAL CHIP 680 5% 1/10W
△ R733	1-249-393-11	CARBON	10 5%	1/4W F	R165	1-216-049-11	RES-CHIP 1K 5% 1/10W
R735	1-249-431-11	CARBON	15K 5%	1/4W	RR55	1-216-037-00	METAL CHIP 330 5% 1/10W
△ R739	1-215-868-00	METAL OXIDE	680 5%	1W F		< SWITCH >	
R747	1-249-429-11	CARBON	10K 5%	1/4W			
R748	1-249-425-11	CARBON	4.7K 5%	1/4W	S151	1-771-349-21	SWITCH, KEYBOARD (PRESET -)
△ R749	1-249-393-11	CARBON	10 5%	1/4W F	S152	1-771-349-21	SWITCH, KEYBOARD (TUNING -)
R751	1-249-417-11	CARBON	1K 5%	1/4W	S153	1-771-349-21	SWITCH, KEYBOARD (TUNING +)
R752	1-249-439-11	CARBON	68K 5%	1/4W	S154	1-771-349-21	SWITCH, KEYBOARD (SHIFT)
R753	1-249-439-11	CARBON	68K 5%	1/4W	S155	1-771-349-21	SWITCH, KEYBOARD (PRESET +)
R754	1-249-418-11	CARBON	1.2K 5%	1/4W			
R755	1-249-439-11	CARBON	68K 5%	1/4W	S156	1-771-349-21	SWITCH, KEYBOARD (MEMORY)
△ R774	1-249-405-11	CARBON	100 5%	1/4W F	S157	1-771-349-21	SWITCH, KEYBOARD (2ND AUDIO) (DE945)
△ R775	1-249-405-11	CARBON	100 5%	1/4W F	S161	1-771-349-21	SWITCH, KEYBOARD (FM/AM)
△ R776	1-234-182-11	ENCAPSULATED COMPONENT	0.22 5W	F	S162	1-771-349-21	SWITCH, KEYBOARD (FM MODE)
					S163	1-771-349-21	SWITCH, KEYBOARD (EQUALIZER)
△ R777	1-240-855-91	CARBON	6.2K 5%	1/4W F			
R778	1-249-425-11	CARBON	4.7K 5%	1/4W	S164	1-771-349-21	SWITCH, KEYBOARD (BASS BOOST)
R782	1-249-437-11	CARBON	47K 5%	1/4W	S165	1-771-349-21	SWITCH, KEYBOARD (MUTING)
△ R783	1-249-393-11	CARBON	10 5%	1/4W F		*****	
△ R789	1-215-868-00	METAL OXIDE	680 5%	1W F		A-4428-818-A	OSD BOARD, COMPLETE (DE945)
							*****
R790	1-249-433-11	CARBON	22K 5%	1/4W		< CAPACITOR >	
R791	1-249-431-11	CARBON	15K 5%	1/4W	C2001	1-126-925-11	ELECT 470uF 20% 10V
R795	1-249-420-11	CARBON	1.8K 5%	1/4W	C2002	1-126-925-11	ELECT 470uF 20% 10V
R796	1-249-420-11	CARBON	1.8K 5%	1/4W	C2003	1-164-159-11	CERAMIC 0.1uF 50V
R799	1-249-431-11	CARBON	15K 5%	1/4W	C2004	1-164-159-11	CERAMIC 0.1uF 50V
					C2005	1-126-960-11	ELECT 1uF 20% 50V
					C2006	1-104-664-11	ELECT 47uF 20% 16V
					C2009	1-128-801-11	CERAMIC 22PF 5% 50V
RY301	1-515-793-11	RELAY 24V (DE945)			C2010	1-164-159-11	CERAMIC 0.1uF 50V
RY501	1-515-920-11	RELAY (24V)			C2011	1-162-198-31	CERAMIC 8.2PF 10% 50V
RY502	1-515-920-11	RELAY (24V)			C2012	1-104-664-11	ELECT 47uF 20% 16V
RY601	1-515-920-11	RELAY (24V)					
RY602	1-515-793-11	RELAY			C2013	1-164-159-11	CERAMIC 0.1uF 50V
					C2014	1-162-199-31	CERAMIC 10PF 5% 50V
RY681	1-515-793-11	RELAY			C2015	1-128-803-11	CERAMIC 33PF 5% 50V
RY701	1-515-920-11	RELAY (24V)			C2016	1-128-809-11	CERAMIC 100PF 5% 50V
					C2017	1-104-656-11	ELECT 2200uF 20% 6.3V

The components identified by mark △ or dotted line with mark △ are critical for safety. Replace only with part number specified.

Les composants identifiés par une marque △ sont critiques pour la sécurité. Ne les remplacer que par une pièce portant le numéro spécifié.

以阴影和 △ 标志来识别的零部件，在安全方面具有关键性。因此只能以规定号码的零部件来更换。

Ref. No.	Part No.	Description	Remark	Ref. No.	Part No.	Description	Remark
C2018	1-126-964-11	ELECT	10uF 20% 50V	F12002	1-424-543-11	FILTER, NOISE	
C2019	1-164-159-11	CERAMIC	0.1uF 50V			< IC >	
C2020	1-126-964-11	ELECT	10uF 20% 50V	IC2001	8-759-917-18	IC TC74HCU04AP	
C2023	1-164-159-11	CERAMIC	0.1uF 50V	IC2002	8-759-666-34	IC BA7622	
C2024	1-126-964-11	ELECT	10uF 20% 50V	IC2004	8-759-647-08	IC MB90089PF-234-ER	
C2025	1-126-964-11	ELECT	10uF 20% 50V	IC2005	8-759-529-20	IC NJM2296D	
C2026	1-126-964-11	ELECT	10uF 20% 50V	IC2006	8-759-822-05	IC LA7213	
C2027	1-126-964-11	ELECT	10uF 20% 50V	IC2008	8-759-822-05	IC LA7213	
C2028	1-164-159-11	CERAMIC	0.1uF 50V			< JACK >	
C2029	1-128-805-11	CERAMIC	47PF 5% 50V	J2001	1-774-227-11	JACK, PIN 1P (MONITOR)	
C2030	1-164-159-11	CERAMIC	0.1uF 50V	J2002	1-770-337-11	JACK, PIN 3P (VIDEO 2)	
C2031	1-128-805-11	CERAMIC	47PF 5% 50V	J2003	1-770-337-11	JACK, PIN 3P (TV/SAT, DVD/LD)	
C2032	1-128-805-11	CERAMIC	47PF 5% 50V	J2004	1-563-330-11	JACK (CONTROL A1II)	
C2033	1-164-159-11	CERAMIC	0.1uF 50V			< COIL >	
C2034	1-164-159-11	CERAMIC	0.1uF 50V	L2001	1-410-973-11	INDUCTOR 22uH	
C2035	1-126-964-11	ELECT	10uF 20% 50V			< TRANSISTOR >	
C2036	1-104-664-11	ELECT	47uF 20% 16V	Q2001	8-729-119-79	TRANSISTOR 2SC2785TP-FEK	
C2037	1-164-159-11	CERAMIC	0.1uF 50V	Q2002	8-729-119-79	TRANSISTOR 2SC2785TP-FEK	
C2038	1-164-159-11	CERAMIC	0.1uF 50V			< RESISTOR >	
C2039	1-164-159-11	CERAMIC	0.1uF 50V	R2001	1-249-417-11	CARBON 1K 5% 1/4W	
C2040	1-126-916-11	ELECT	1000uF 20% 6.3V	R2002	1-247-804-11	CARBON 75 5% 1/4W	
C2041	1-126-964-11	ELECT	10uF 20% 50V	R2003	1-249-417-11	CARBON 1K 5% 1/4W	
C2042	1-126-964-11	ELECT	10uF 20% 50V	R2005	1-247-903-00	CARBON 1M 5% 1/4W	
C2043	1-164-159-11	CERAMIC	0.1uF 50V	R2006	1-249-417-11	CARBON 1K 5% 1/4W	
C2044	1-164-159-11	CERAMIC	0.1uF 50V	R2007	1-249-425-11	CARBON 4.7K 5% 1/4W	
C2045	1-164-159-11	CERAMIC	0.1uF 50V	R2008	1-247-804-11	CARBON 75 5% 1/4W	
C2046	1-126-960-11	ELECT	1uF 20% 50V	R2009	1-247-804-11	CARBON 75 5% 1/4W	
C2047	1-126-964-11	ELECT	10uF 20% 50V	R2010	1-247-804-11	CARBON 75 5% 1/4W	
C2048	1-164-159-11	CERAMIC	0.1uF 50V	R2011	1-247-804-11	CARBON 75 5% 1/4W	
C2049	1-104-664-11	ELECT	47uF 20% 16V	R2012	1-249-437-11	CARBON 47K 5% 1/4W	
C2050	1-126-916-11	ELECT	1000uF 20% 6.3V	R2013	1-247-804-11	CARBON 75 5% 1/4W	
C2051	1-126-964-11	ELECT	10uF 20% 50V	R2014	1-247-804-11	CARBON 75 5% 1/4W	
C2052	1-164-159-11	CERAMIC	0.1uF 50V	R2015	1-249-437-11	CARBON 47K 5% 1/4W	
C2053	1-127-861-11	CERAMIC	2200PF 10% 50V	R2016	1-249-437-11	CARBON 47K 5% 1/4W	
C2054	1-126-960-11	ELECT	1uF 20% 50V	R2017	1-249-424-11	CARBON 3.9K 5% 1/4W	
C2056	1-164-159-11	CERAMIC	0.1uF 50V	R2018	1-249-418-11	CARBON 1.2K 5% 1/4W	
		< CONNECTOR >		R2019	1-249-437-11	CARBON 47K 5% 1/4W	
CNP251	1-568-826-11	CONNECTOR, FFC 7P		R2020	1-249-411-11	CARBON 330 5% 1/4W	
CNP252	1-695-091-11	PIN, CONNECTOR (PC BOARD) 15P		R2022	1-247-804-11	CARBON 75 5% 1/4W	
CNP253	1-784-921-11	PIN, CONNECTOR 4P		R2023	1-247-883-00	CARBON 150K 5% 1/4W	
		< TRIMMER >		R2024	1-249-411-11	CARBON 330 5% 1/4W	
CT2002	1-141-442-91	CAP, CERAMIC TRIMMER 20PF		R2025	1-249-421-11	CARBON 2.2K 5% 1/4W	
CT2003	1-141-442-91	CAP, CERAMIC TRIMMER 20PF		R2027	1-247-807-31	CARBON 100 5% 1/4W	
		< DIODE >		R2028	1-247-883-00	CARBON 150K 5% 1/4W	
D2001	8-719-911-19	DIODE 1SS133T-72		R2029	1-249-411-11	CARBON 330 5% 1/4W	
D2002	8-719-911-19	DIODE 1SS133T-72		R2030	1-249-393-11	CARBON 10 5% 1/4W	
D2003	8-719-911-19	DIODE 1SS133T-72		R2031	1-249-393-11	CARBON 10 5% 1/4W	
D2004	8-719-911-19	DIODE 1SS133T-72		R2032	1-249-393-11	CARBON 10 5% 1/4W	
D2005	8-719-911-19	DIODE 1SS133T-72		R2034	1-249-417-11	CARBON 1K 5% 1/4W	
		< FERRITE BEAD/FILTER >		R2037	1-247-807-31	CARBON 100 5% 1/4W	
FB2001	1-416-300-21	FILTER, NOISE					
FB2002	1-416-300-21	FILTER, NOISE					
FB2003	1-412-911-21	INDUCTOR, FERRITE BEAD					

## OSD

## OSD JOINT (H)

## POWER

## ROTARY

## SP

## S-VIDEO

Ref. No.	Part No.	Description	Remark	Ref. No.	Part No.	Description	Remark
		< VIBRATOR >				< RESISTOR >	
X2002	1-781-821-21	VIBRATOR, CRYSTAL (14MHz)		△ R634	1-249-389-11	CARBON 4.7 5% 1/4W F	
*****				△ R734	1-249-389-11	CARBON 4.7 5% 1/4W F	
	1-677-042-11	OSD JOINT (H) BOARD (DE945)		△ R784	1-249-389-11	CARBON 4.7 5% 1/4W F	
*****				RR48	1-249-393-11	CARBON 10 5% 1/4W (E, AUS, CH, PX)	
		< CONNECTOR >		RR49	1-249-393-11	CARBON 10 5% 1/4W (E, AUS, CH, PX)	
CNP211	1-695-091-11	PIN, CONNECTOR (PC BOARD) 15P		RR98	1-249-393-11	CARBON 10 5% 1/4W (E, AUS, CH, PX)	
CNP212	1-695-096-11	SOCKET, CONNECTOR 15P		RR99	1-249-393-11	CARBON 10 5% 1/4W (E, AUS, CH, PX)	
*****				RR251	1-249-417-11	CARBON 1K 5% 1/4W	
	1-676-999-11	POWER BOARD				< TERMINAL >	
*****				* TM501	1-694-454-21	TERMINAL BOARD (SP) (FRONT SPEAKERS)	
D120	8-719-016-74	DIODE 1SS352-TPH3		TM701	1-694-528-11	TERMINAL BOARD (SPEAKER) 6P (REAR/CENTER SPEAKERS)	
D121	8-719-016-74	DIODE 1SS352-TPH3		*****			
		< DIODE >		A-4428-783-A	S-VIDEO BOARD, COMPLETE	(DE845: US, CND)	
		< SWITCH >		A-4428-817-A	S-VIDEO BOARD, COMPLETE (DE945)		
S101	1-762-268-11	SWITCH, ROTARY (SPEAKERS)		*****			
S150	1-771-349-21	SWITCH, KEYBOARD (I/⌂)				< CAPACITOR >	
*****				C252	1-136-165-00	MYLAR 0.1uF 5% 50V	
	1-677-041-11	ROTARY BOARD		C253	1-126-964-11	ELECT 10uF 20% 50V	
*****				C255	1-136-165-00	MYLAR 0.1uF 5% 50V	
		< VARIABLE RESISTOR >		C256	1-126-964-11	ELECT 10uF 20% 50V	
RV101	1-418-817-11	ENCODER (ROTARY) (-/+)		C257	1-136-165-00	MYLAR 0.1uF 5% 50V	
*****				C258	1-126-964-11	ELECT 10uF 20% 50V	
	1-676-991-11	SP BOARD		C259	1-126-964-11	ELECT 10uF 20% 50V	
*****				C260	1-136-165-00	MYLAR 0.1uF 5% 50V	
		< CAPACITOR >		C262	1-164-159-11	CERAMIC 0.1uF 50V	
CC41	1-128-809-11	CERAMIC 100PF 5% 50V		C263	1-164-159-11	CERAMIC 0.1uF 50V	
CC42	1-128-809-11	CERAMIC 100PF 5% 50V		C265	1-164-159-11	CERAMIC 0.1uF 50V	
CC43	1-128-809-11	CERAMIC 100PF 5% 50V		C266	1-164-159-11	CERAMIC 0.1uF 50V	
CC46	1-128-809-11	CERAMIC 100PF 5% 50V		C267	1-128-805-11	CERAMIC 47PF 5% 50V	
CC47	1-128-809-11	CERAMIC 100PF 5% 50V		C268	1-128-805-11	CERAMIC 47PF 5% 50V	
CC48	1-128-817-11	CERAMIC 470PF 5% 50V (E, AUS, CH, PX)		C269	1-128-805-11	CERAMIC 47PF 5% 50V	
CC49	1-128-817-11	CERAMIC 470PF 5% 50V (E, AUS, CH, PX)		C270	1-128-805-11	CERAMIC 47PF 5% 50V	
CC96	1-128-809-11	CERAMIC 100PF 5% 50V		C271	1-104-664-11	ELECT 47uF 20% 16V	
CC97	1-128-809-11	CERAMIC 100PF 5% 50V		C272	1-128-817-11	CERAMIC 470PF 5% 50V	
CC98	1-128-817-11	CERAMIC 470PF 5% 50V (E, AUS, CH, PX)		C273	1-128-825-11	CERAMIC 2200PF 5% 50V	
CC99	1-128-817-11	CERAMIC 470PF 5% 50V (E, AUS, CH, PX)		C274	1-128-825-11	CERAMIC 2200PF 5% 50V	
		< JACK >		C275	1-128-825-11	CERAMIC 2200PF 5% 50V	
JJ103	1-774-819-11	JACK, PIN 2P (SUB WOOFER)		C276	1-128-817-11	CERAMIC 470PF 5% 50V	
		< COIL >				< CONNECTOR >	
L601	1-420-872-00	COIL, AIR-CORE		CNS211	1-695-094-11	SOCKET, CONNECTOR 11P (DE845: US, CND)	
L701	1-420-872-00	COIL, AIR-CORE		CNS211	1-695-096-11	SOCKET, CONNECTOR 15P (DE945)	
L751	1-420-872-00	COIL, AIR-CORE		CNS213	1-564-718-11	PIN, CONNECTOR (SMALL TYPE) 2P (DE945)	
				CNS215	1-784-776-11	CONNECTOR, FFC 15P	
						< DIODE >	
				D204	8-719-911-19	DIODE 1SS133T-72	
				D205	8-719-911-19	DIODE 1SS133T-72	

The components identified by mark △ or dotted line with mark △ are critical for safety. Replace only with part number specified.

Les composants identifiés par une marque △ sont critiques pour la sécurité. Ne les remplacer que par une pièce portant le numéro spécifié.

以阴影和 △ 标志来识别的零部件，在安全方面具有关键性。因此只能以规定号码的零部件来更换。

Ref. No.	Part No.	Description	Remark	Ref. No.	Part No.	Description	Remark
		< IC >					
IC251	8-759-529-20	IC NJM2296D		C215	1-164-159-11	CERAMIC 0.1uF	50V
IC252	8-759-529-20	IC NJM2296D		C216	1-104-664-11	ELECT 47uF 20%	16V
IC253	8-759-666-33	IC NJM2145D		C217	1-164-159-11	CERAMIC 0.1uF	50V
		< JACK >		C218	1-164-159-11	CERAMIC 0.1uF	50V
J251	1-537-943-11	TERMINAL, S (MONITER)		C219	1-164-159-11	CERAMIC 0.1uF	50V
J252	1-764-676-11	CONNECTOR (ROUND TYPE) (VIDEO 1)				< CONNECTOR >	
J253	1-764-676-11	CONNECTOR (ROUND TYPE) (TV/SAT, DVD/LD)		CNS212	1-695-094-11	SOCKET, CONNECTOR 11	
J255	1-563-330-11	JACK (VIDEO 1)				< DIODE >	
J256	1-563-330-11	JACK (DVD/LD)		D201	8-719-911-19	DIODE 1SS133T-72	
J257	1-563-330-11	JACK (TV/SAT)		D202	8-719-911-19	DIODE 1SS133T-72	
J258	1-563-330-11	JACK (MONITOR)				< IC >	
		< TRANSISTOR >		IC201	8-759-529-20	IC NJM2296D	
Q201	8-729-900-80	TRANSISTOR BA1A4M-TP				< JACK >	
Q202	8-729-422-57	TRANSISTOR BN1A4M-TP		J201	1-774-227-11	JACK, PIN 1P (MONITOR)	
		< RESISTOR >		J202	1-770-337-11	JACK, PIN 3P (VIDEO 2)	
R209	1-247-804-11	CARBON 75 5% 1/4W		J203	1-770-337-11	JACK, PIN 3P (TV/SAT, DVD/LD)	
R210	1-247-804-11	CARBON 75 5% 1/4W		J204	1-563-330-11	JACK (CONTROL A1II)	
R211	1-249-417-11	CARBON 1K 5% 1/4W				< RESISTOR >	
R212	1-249-417-11	CARBON 1K 5% 1/4W		R201	1-247-804-11	CARBON 75 5% 1/4W	
R213	1-249-417-11	CARBON 1K 5% 1/4W		R202	1-247-804-11	CARBON 75 5% 1/4W	
R214	1-249-417-11	CARBON 1K 5% 1/4W		R203	1-247-804-11	CARBON 75 5% 1/4W	
R215	1-249-429-11	CARBON 10K 5% 1/4W		R204	1-247-804-11	CARBON 75 5% 1/4W	
R216	1-249-429-11	CARBON 10K 5% 1/4W		R205	1-247-804-11	CARBON 75 5% 1/4W	
R217	1-249-429-11	CARBON 10K 5% 1/4W		R206	1-247-804-11	CARBON 75 5% 1/4W	
R251	1-247-804-11	CARBON 75 5% 1/4W		R207	1-247-804-11	CARBON 75 5% 1/4W	
R252	1-247-804-11	CARBON 75 5% 1/4W		R208	1-247-804-11	CARBON 75 5% 1/4W	
R253	1-247-804-11	CARBON 75 5% 1/4W				*****	
R254	1-247-804-11	CARBON 75 5% 1/4W		1-677-003-11	VIDEO 3 BOARD (DE945)	*****	
R255	1-247-804-11	CARBON 75 5% 1/4W				< CAPACITOR >	
R257	1-247-804-11	CARBON 75 5% 1/4W		C299	1-165-319-11	CERAMIC CHIP 0.1uF	50V
R258	1-247-804-11	CARBON 75 5% 1/4W		C892	1-164-690-91	CERAMIC CHIP 0.0022uF 5%	50V
R259	1-247-804-11	CARBON 75 5% 1/4W		C893	1-164-690-91	CERAMIC CHIP 0.0022uF 5%	50V
R260	1-247-804-11	CARBON 75 5% 1/4W				< CONNECTOR >	
R261	1-247-804-11	CARBON 75 5% 1/4W		CNP307	1-564-721-11	PIN, CONNECTOR (SMALL TYPE) 5P	
		*****				< TERMINAL >	
1-676-994-11	VIDEO BOARD (DE845)	*****		* EB201	1-537-738-21	TERMINAL, EARTH	
		< CAPACITOR >				< JACK >	
C201	1-126-964-11	ELECT 10uF 20% 50V		J299	1-770-571-11	JACK BLOCK, PIN (L TYPE) 3P (VIDEO 3 INPUT)	
C202	1-126-964-11	ELECT 10uF 20% 50V				< RESISTOR >	
C203	1-126-964-11	ELECT 10uF 20% 50V		R321	1-216-049-11	RES-CHIP 1K 5% 1/10W	
C204	1-126-964-11	ELECT 10uF 20% 50V		R371	1-216-049-11	RES-CHIP 1K 5% 1/10W	
C205	1-128-805-11	CERAMIC 47PF 5% 50V				*****	
C206	1-128-805-11	CERAMIC 47PF 5% 50V				< CONNECTOR >	
C207	1-128-805-11	CERAMIC 47PF 5% 50V				< RESISTOR >	
C208	1-126-964-11	ELECT 10uF 20% 50V				< TERMINAL >	
C209	1-164-159-11	CERAMIC 0.1uF 50V				< JACK >	
C210	1-164-159-11	CERAMIC 0.1uF 50V				< RESISTOR >	
C211	1-164-159-11	CERAMIC 0.1uF 50V				< TERMINAL >	
C212	1-164-159-11	CERAMIC 0.1uF 50V				< JACK >	
C213	1-104-664-11	ELECT 47uF 20% 16V				< RESISTOR >	

The components identified by mark $\Delta$ or dotted line with $\Delta$ are critical for safety. Replace only with part number specified.	Les composants identifiés par une marque $\Delta$ sont critiques pour la sécurité. Ne les remplacer que par une pièce portant le numéro spécifié.	以阴影和 $\Delta$ 标志来识别的零部件，在安全方面具有关键性。因此只能以规定号码的零部件来更换。
---	---	--

Ref. No.	Part No.	Description	Remark	Ref. No.	Part No.	Description	Remark
	1-677-004-11	V. SWITCH BOARD (E, PX) *****		Q606	8-749-010-26	IC MP1620-OPY-M (DE845)	
	1-533-217-31	HOLDER, FUSE  < CONNECTOR >		Q607	8-729-051-92	TRANSISTOR 2SD2560 (DE945)	
CNV903	1-568-106-11	PIN, CONNECTOR 4P  < FUSE >		Q607	8-749-010-25	IC MN2488-OPY-M (DE845)	
△ F904	1-532-504-51	FUSE T4AL 250V  < SWITCH >		Q706	8-729-051-93	TRANSISTOR 2SB1647 (DE945)	
△ VS901	1-571-437-21	SWITCH, POWER VOLTAGE CHANGE (VOLTAGE SELECTOR) *****		Q706	8-749-010-26	IC MP1620-OPY-M (DE845)	
	1-677-001-11	VOL BOARD *****  < CONNECTOR >		Q707	8-729-051-92	TRANSISTOR 2SD2560 (DE945)	
CNP101	1-770-388-11	PIN, CONNECTOR (PC BOARD) 4P		Q707	8-749-010-25	IC MN2488-OPY-M (DE845)	
CNS111	1-784-784-11	CONNECTOR, FFC 23P  < LEAD >		Q756	8-749-010-26	IC MP1620-OPY-M (DE845)	
* CP101	1-690-880-31	LEAD (WITH CONNECTOR)  < VARIABLE RESISTOR >		Q757	8-729-051-92	TRANSISTOR 2SD2560 (DE945)	
RV401	1-225-446-12	RES, VAR, CARBON 100K/100KX5 (MASTER VOLUME) *****		△ T901	1-435-428-11	TRANSFORMER, POWER (E, PX)	
		MISCELLANEOUS *****		△ T901	1-435-429-11	TRANSFORMER, POWER (AUS)	
5	1-773-054-11	WIRE (FLAT TYPE) (17 CORE) (E, AUS, CH, PX)		△ T901	1-435-430-11	TRANSFORMER, POWER (US)	
5	1-773-160-11	WIRE (FLAT TYPE) (21 CORE) (US, CND)		△ T901	1-435-431-11	TRANSFORMER, POWER (CND)	
7	1-769-888-11	WIRE (FLAT TYPE) (7 CORE) (DE945)		△ T901	1-435-432-11	TRANSFORMER, POWER (MY, SP, CH)	
* 9	1-690-880-31	LEAD (WITH CONNECTOR)		TM301	1-693-407-23	TUNER (DE845: US, CND, E/DE945)	
55	1-773-150-11	WIRE (FLAT TYPE) (21 CORE)		TM301	1-693-409-23	TUNER (MY, SP, AUS, CH) *****	
△ 57	1-696-847-11	CORD, POWER (AUS)				ACCESSORIES & PACKING MATERIALS *****	
△ 57	1-769-743-11	CORD, POWER (CND)		1-418-866-11	REMOTE COMMANDER RM-LJ304 (DE945)		
△ 57	1-769-744-11	CORD, POWER (E, PX)		1-418-875-11	REMOTE COMMANDER RM-LP204 (DE845)		
△ 57	1-782-464-21	CORD, POWER (CH)		4-210-990-01	LID, BATTERY CASE		
△ 57	1-783-820-11	CORD, POWER (US)		1-501-594-11	ANTENNA (FM) (DE845: US, MY, SP, AUS, CH)		
△ 61	1-569-008-21	ADAPTOR, CONVERSION 2P (E, PX)		1-501-721-11	ANTENNA (LOOP)		
62	1-773-004-11	WIRE (FLAT TYPE) (15 CORE)		△	1-776-258-11	CORD, AVC CONNECTION (DE845: CND/945)	
64	1-773-001-11	WIRE (FLAT TYPE) (15 CORE)		△	1-777-172-11	CORD, CONNECTION (DE845: CND/DE945)	
117	1-773-182-11	WIRE (FLAT TYPE) (23 CORE)		△	1-777-560-11	CORD, CONNECTION (DE845: CND/DE945)	
* 120	1-537-738-21	TERMINAL, EARTH		△	1-793-184-21	CONNECTOR (F TYPE ADAPTOR) (DE845: CND, E/DE945)	
Q506	8-729-051-93	TRANSISTOR 2SB1647 (DE945)		3-866-670-11	MANUAL, COMMONNESS INSTRUCTION (ENGLISH) (DE845: US, AUS/DE945: US)		
Q506	8-749-010-26	IC MP1620-OPY-M (DE845)		3-866-670-21	MANUAL, COMMONNESS INSTRUCTION (ENGLISH, FRENCH, GERMAN, SPANISH, DUTCH, PORTUGUESE, SWEDISH, ITALIAN, CHINESE) (DE845: CND, E/DE945: CND)		
Q507	8-729-051-92	TRANSISTOR 2SD2560 (DE945)		3-866-670-41	MANUAL, COMMONNESS INSTRUCTION (ENGLISH, ALABIC, CHINESE) (CH)		
Q507	8-749-010-25	IC MN2488-OPY-M (DE845)		4-227-952-11	MANUAL, INSTRUCTION (ENGLISH) (DE945)		
Q556	8-729-051-93	TRANSISTOR 2SB1647 (DE945)		4-227-952-21	MANUAL, INSTRUCTION (FRENCH, SPANISH) (DE945: CND)		
Q556	8-749-010-26	IC MP1620-OPY-M (DE845)		4-227-953-11	MANUAL, INSTRUCTION (ENGLISH) (DE845)		
Q557	8-729-051-92	TRANSISTOR 2SD2560 (DE945)		4-227-953-21	MANUAL, INSTRUCTION (FRENCH, SPANISH) (DE845: CND, E)		
Q557	8-749-010-25	IC MN2488-OPY-M (DE845)		4-227-953-31	MANUAL, INSTRUCTION (CHINESE) (E, CH)		
Q606	8-729-051-93	TRANSISTOR 2SB1647 (DE945)		4-229-126-11	MANUAL, INSTRUCTION (ENGLISH) (DE845: US, CND, E, AUS, CH/DE945)		
				4-229-126-21	MANUAL, INSTRUCTION (FRENCH) (DE845: CND, E/DE945: CND)		
				4-229-126-31	MANUAL, INSTRUCTION (SPANISH, ITALIAN) (E)		
				4-229-126-41	MANUAL, INSTRUCTION (CHINESE) (CH)		
						*****	

The components identified by mark △ or dotted line with mark △ are critical for safety. Replace only with part number specified.

Les composants identifiés par une marque △ sont critiques pour la sécurité. Ne les remplacer que par une pièce portant le numéro spécifié.

以阴影和 △ 标志来识别的零部件，在安全方面具有关键性。因此只能以规定号码的零部件来更换。

<u>Ref. No.</u>	<u>Part No.</u>	<u>Description</u>	<u>Remark</u>
		***** HARDWARE LIST *****	
#1	7-685-646-79	SCREW +BVTP 3X8 TYPE2 IT-3	
#2	7-685-881-09	SCREW +BVTT 4X8 (S)	
#3	7-685-645-79	SCREW +BVTP 3X6 TYPE2 IT-3	
#4	7-685-872-09	SCREW +BVTT 3X8 (S)	