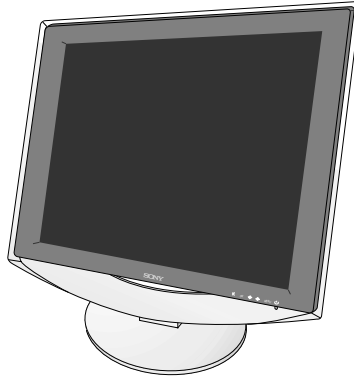


SDM-HS73

SERVICE MANUAL

US Model
Canadian Model
AEP Model
Chinese Model



TFT LCD COLOR COMPUTER DISPLAY

There are some different LCD panels are used in the model SDM-HS73.
Therefore the repair parts are also different.
Please confirm the serial number before repairing.

LGE Production

Color	Dest.	Product Code	Description	Serial Number	
				AU Panel	LPL Panel
WHITE	U/C	17-4445-10	SDM-HS73/WC UC7	6,000,001-6,080,000	6,080,001-6,200,000
GRAY	U/C	17-4461-10	SDM-HS73/HC UC7	3,200,001-3,260,000 6,750,001-6,850,000	3,260,001-3,350,000
BLUE	U/C	17-4458-10	SDM-HS73/LC UC7	3,500,001-3,580,000	3,580,001-3,700,000
BLACK	U/C	17-4570-10	SDM-HS73/BC UC7	9,940,001-9,948,000	9,948,001-9,960,000
WHITE	AEP	17-4445-20	SDM-HS73/WC EKZ	6,200,001-6,280,000	6,280,001-6,400,000
GRAY	AEP	17-4461-20	SDM-HS73/HC EKZ	3,350,001-3,410,000	3,410,001-3,500,000
BLUE	AEP	17-4458-20	SDM-HS73/LC EKZ	3,700,001-3,780,000	3,780,001-3,900,000
BLACK	AEP	17-4570-20	SDM-HS73/BC EKZ	1,260,001-1,320,000	1,320,001-1,400,000
WHITE	CH	17-4445-30	SDM-HS73/WC CN6	6,615,001-6,630,000	6,600,001-6,615,000
GRAY	CH	17-4461-30	SDM-HS73/HC CN6	6,645,001-6,660,000	6,630,001-6,645,000
BLACK	CH	17-4570-30	SDM-HS73/BC CN6	9,965,001-9,970,000	9,960,001-9,965,000

TPV Production

Color	Destination	Serial Number	LCD Panel
White	U/C	1,000,001-1,060,000	CPT Panel
		1,060,001-1,100,000	AU Panel
	AEP	1,210,001-1,222,000	CPT Panel
		1,222,001-1,230,000	AU Panel
Grey	U/C	1,100,001-1,160,000	CPT Panel
		1,160,001-1,200,000	AU Panel
	AEP	1,230,001-1,242,000	CPT Panel
		1,242,001-1,250,000	AU Panel
Blue	U/C	1,200,001-1,206,000	CPT Panel
		1,206,001-1,210,000	AU Panel
	AEP	1,250,001-1,256,000	CPT Panel
		1,256,001-1,260,000	AU Panel
Black	U/C	1,400,001-1,460,000	CPT Panel
		1,460,001-1,500,000	AU Panel
	AEP	1,500,001-1,530,000	CPT Panel
		1,530,001-1,550,000	AU Panel

CONTENTS

SPECIFICATIONS	2	BLOCK DIAGRAM	7
PRECAUTIONS	3	ADJUSTMENT	8
TIMING CHART	4	EXPLODED VIEW	9
OPERATING INSTRUCTIONS	5	EXPLODED VIEW PARTS LIST	10
WIRING DIAGRAM	6		

SPECIFICATIONS

1. LCD CHARACTERISTICS

Type : TFT Color LCD Module
 Active Display Area : 17 inch(337.92(H) x 270.336(V))
 Size : 358.5(W) x 296.5(H) x 19.0(D)
 Pixel Pitch : 0.264 (Per one triad) x 0.264
 Color Depth : 16.2M Colors
 Electrical Interface : LVDS
 Operating Mode : Normally White
 Backlight Unit : 4-CCFL (Cold Cathode Fluorescent Lamp)

2. OPTICAL CHARACTERISTICS

2-1. Viewing Angle by Contrast Ratio ≥ 10
 Left : -55° min., -70°(Typ) Right : +55° min., +70°(Typ)
 Top : +55° min., +70°(Typ) Bottom : -55° min., -70°(Typ)

2-2. Luminance : 200(min), 250(Typ)

2-3. Contrast Ratio : 200(min), 450(Typ)

3. SIGNAL (Refer to the Timing Chart)

3-1. Sync Signal
 • Type : Separate Sync

3-2. Video Input Signal

1) Type : R, G, B Analog
 2) Voltage Level : 0~0.70 V($\pm 5\%$)
 a) Color 0, 0 : 0 Vp-p
 b) Color 7, 0 : 0.35 Vp-p
 c) Color 15, 0 : 0.7 Vp-p
 3) Input Impedance : 75 Ω

3-3. Operating Frequency

Horizontal : 28 ~ 80kHz
 Vertical : 48 ~ 75Hz

4. Max. Resolution

Analog : 1280 x 1024 / 75Hz

5. POWER SUPPLY

5-1. Power : AC 100~240V, 50/60Hz , 1.0A

5-2. Power Consumption

MODE	H/V SYNC	VIDEO	POWER CONSUMPTION	LED COLOR
POWER ON (NORMAL)	ON/ON	ACTIVE	less than 45 W	GREEN
STAND-BY	OFF/ON	OFF	less than 1 W	AMBER
SUSPEND	ON/OFF	OFF	less than 1 W	AMBER
DPMS OFF	OFF/OFF	OFF	less than 1 W	AMBER
POWER S/W OFF	-	-	less than 1 W	OFF

6. ENVIRONMENT

6-1. Operating Temperature: 5°C~35°C (41°F~95°F)
 (Ambient)

6-2. Relative Humidity : 10%~80%
 (Non-condensing)

6-3. MTBF : 50,000 Hours(Typ)
 30,000 Hours(Min)

7. DIMENSIONS (with TILT/SWIVEL)


Width : 423 mm (16.65")
 Depth : 233 mm (9.17")
 Height : 400 mm (15.75")

8. WEIGHT (with TILT/SWIVEL)

Net. Weight : 5.9 kg (13.10 lbs)
 Gross Weight : 8.2 kg (18.08 lbs)

PRECAUTION

WARNING FOR THE SAFETY-RELATED COMPONENT.

- There are some special components used in LCD monitor that are important for safety. **These parts are marked  on the schematic diagram and the replacement parts list.** It is essential that these critical parts should be replaced with the manufacturer's specified parts to prevent electric shock, fire or other hazard.
- Do not modify original design without obtaining written permission from manufacturer or you will void the original parts and labor guarantee.

TAKE CARE DURING HANDLING THE LCD MODULE WITH BACKLIGHT UNIT.

- Must mount the module using mounting holes arranged in four corners.
- Do not press on the panel, edge of the frame strongly or electric shock as this will result in damage to the screen.
- Do not scratch or press on the panel with any sharp objects, such as pencil or pen as this may result in damage to the panel.
- Protect the module from the ESD as it may damage the electronic circuit (C-MOS).
- Make certain that treatment person's body are grounded through wrist band.
- Do not leave the module in high temperature and in areas of high humidity for a long time.
- The module not be exposed to the direct sunlight.
- Avoid contact with water as it may a short circuit within the module.
- If the surface of panel become dirty, please wipe it off with a softmaterial. (Cleaning with a dirty or rough cloth may damage the panel.)

CAUTION

Please use only a plastic screwdriver to protect yourself from shock hazard during service operation.

WARNING

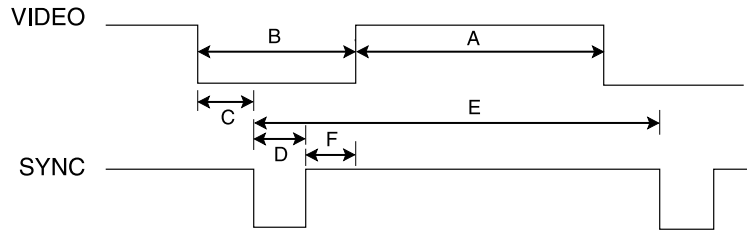
BE CAREFUL ELECTRIC SHOCK !

- If you want to replace with the new backlight (CCFL) or inverter circuit, must disconnect the AC adapter because high voltage appears at inverter circuit about 650Vrms.
- Handle with care wires or connectors of the inverter circuit. If the wires are pressed cause short and may burn or take fire.

TIMING CHART

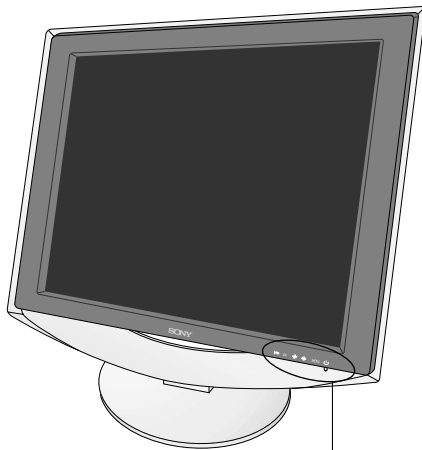
<< Dot Clock (MHz), Horizontal Frequency (kHz), Vertical Frequency (Hz), Horizontal etc... (μs), Vertical etc... (ms) >>

Mode	H/V Sort	Sync Polarity	Dot Clock	Frequency	Total Period (E)	Video Active Time (A)	Front Porch (C)	Sync Duration (D)	Back Porch (F)	Blanking time (B)	Resolution
1	H	-	28.350	31.500	900	720	18	108	54	180	720x400 70Hz
	V	+		70.156Hz	449	400	12	3	34	49	
2	H	-	25.175	31.469	800	640	16	96	48	160	640x480 60Hz
	V	-		59.940Hz	525	480	10	2	33	45	
3	H	-	30.240	35.00	864	640	64	64	96	224	640x480 65Hz
	V	-		66.667Hz	525	480	3	3	39	45	
4	H	-	31.500	37.50	840	640	16	64	120	200	640x480 75Hz
	V	-		75.0Hz	500	480	1	3	16	20	
5	H	-	31.505	35.162	896	720	34	40	102	176	720x480 60Hz
	V	-		59.901Hz	587	480	12	2	93	107	
6	H	+-	36.000	35.156	1024	800	24	72	128	224	800x600 56Hz
	V	+		56.250Hz	625	600	1	2	22	25	
7	H	+	40.000	37.879	1056	800	40	128	88	256	800x600 60Hz
	V	+		60.317Hz	628	600	1	4	23	28	
8	H	+	50.000	48.077	1040	800	56	120	64	240	800x600 72Hz
	V	+		72.188Hz	666	600	37	6	23	66	
9	H	+	49.500	46.875	1056	800	16	80	160	256	800x600 75Hz
	V	+		75.0Hz	625	600	1	3	21	25	
10	H	-	57.285	49.727	1152	832	32	64	224	320	832x624 (MAC16") 75Hz
	V	-		74.553Hz	667	624	3	3	37	43	
11	H	-	65.000	48.363	1344	1024	24	136	160	320	1024x768 60Hz
	V	-		60.004Hz	806	768	3	6	29	38	
12	H	-	75.000	56.476	1328	1024	24	136	144	304	1024x768 70Hz
	V	-		70.069Hz	806	768	3	6	29	38	
13	H	+	78.750	60.023	1312	1024	16	96	176	288	1024x768 75Hz
	V	+		75.029Hz	800	768	1	3	28	32	
14	H	-	80.000	60.241	1328	1024	32	96	176	304	1024x768 (MAC19) 75Hz
	V	-		74.927Hz	804	768	3	3	30	36	
15	H	+	108.000	67.500	1600	1152	64	128	256	448	1152x864 75Hz
	V	+		75.000Hz	900	864	1	3	32	36	
16	H	-	100.000	68.681	1456	1152	32	128	144	304	1152x870 (MAC21) 75Hz
	V	-		75.062Hz	915	870	3	3	39	45	
17	H	-	92.940	61.795	1504	1152	30	128	194	352	1152x900 66Hz
	V	-		65.950Hz	937	900	2	4	31	37	
18	H	-	105.590	71.732	1472	1152	16	96	208	320	1152x900 75Hz
	V	-		76.068Hz	943	900	2	8	33	43	
19	H	+	46.200	31.216	1480	1170	37	129	144	310	1170x584 50Hz
	V	+		50.026Hz	624	584	3	3	34	40	
20	H	+	108.000	60.000	1800	1280	96	112	312	520	1280x960 60Hz
	V	+		60.000Hz	1000	960	1	3	36	40	
21	H	+	108.000	63.981	1688	1280	48	112	248	408	1280x1024 60Hz
	V	+		60.020Hz	1066	1024	1	3	38	42	
22	H	+	135.000	79.976	1688	1280	16	144	248	408	1280x1024 75Hz
	V	+		75.025Hz	1066	1024	1	3	38	42	



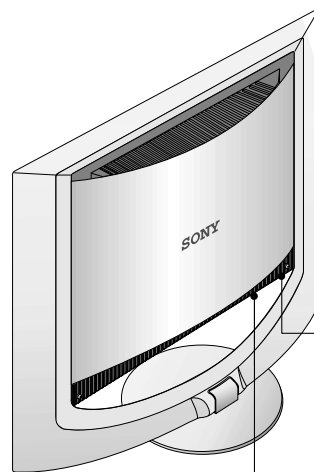
OPERATING INSTRUCTIONS

FRONT VIEW



See front control panel

REAR VIEW



D-Sub Signal Connector

Power Connector

Front Control Panel



5 4 3 2 1

1. Power switch and indicator

This switch turns the display on and off.
This power indicator lights up in green when the display is turned on, and lights up in orange when the monitor is in power saving mode.

2. MENU Button

This button display or close the main menu.

3. Up/Down Buttons

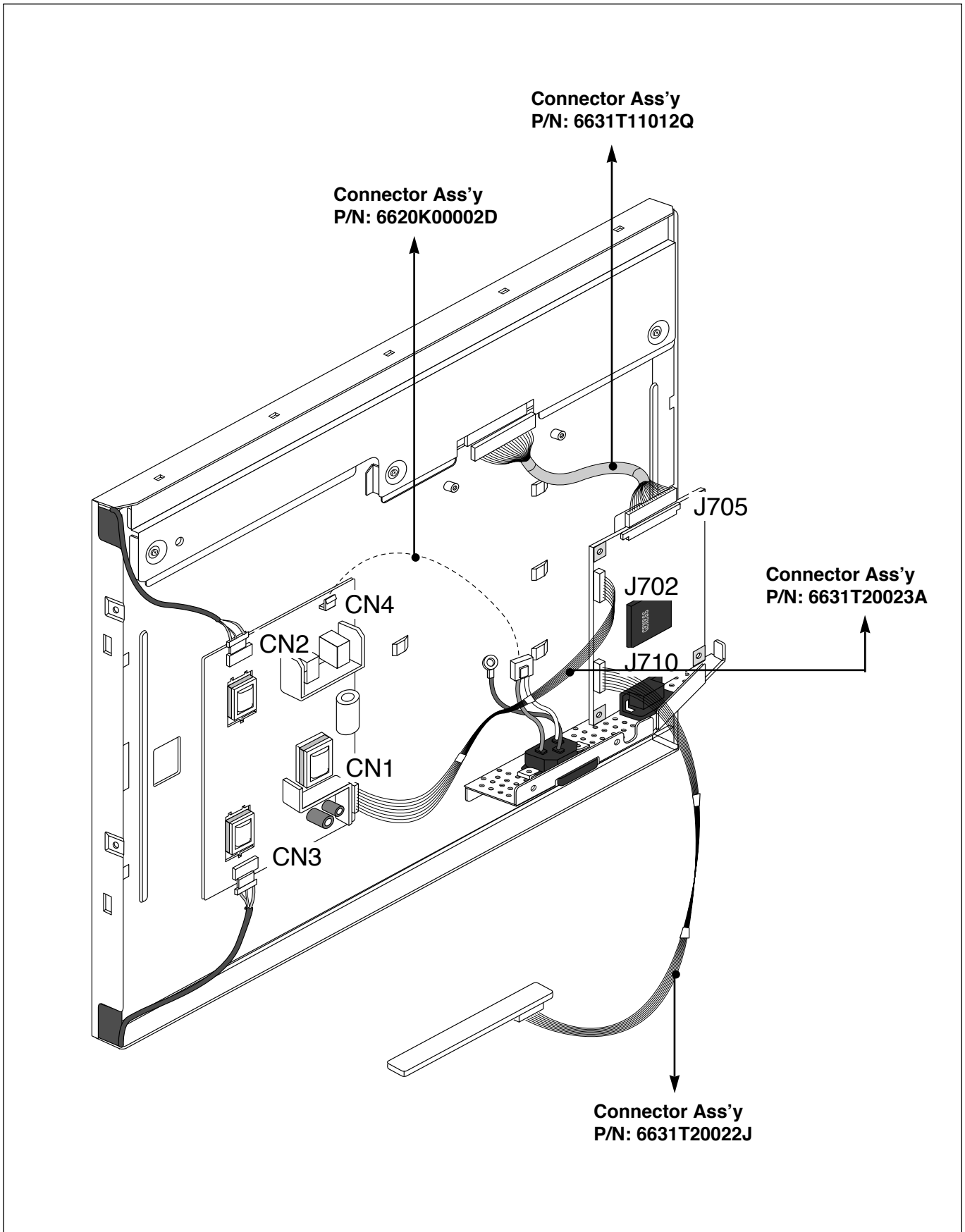
These buttons function as the Up/Down buttons when selecting the menu items and making adjustments.

4. OK Button

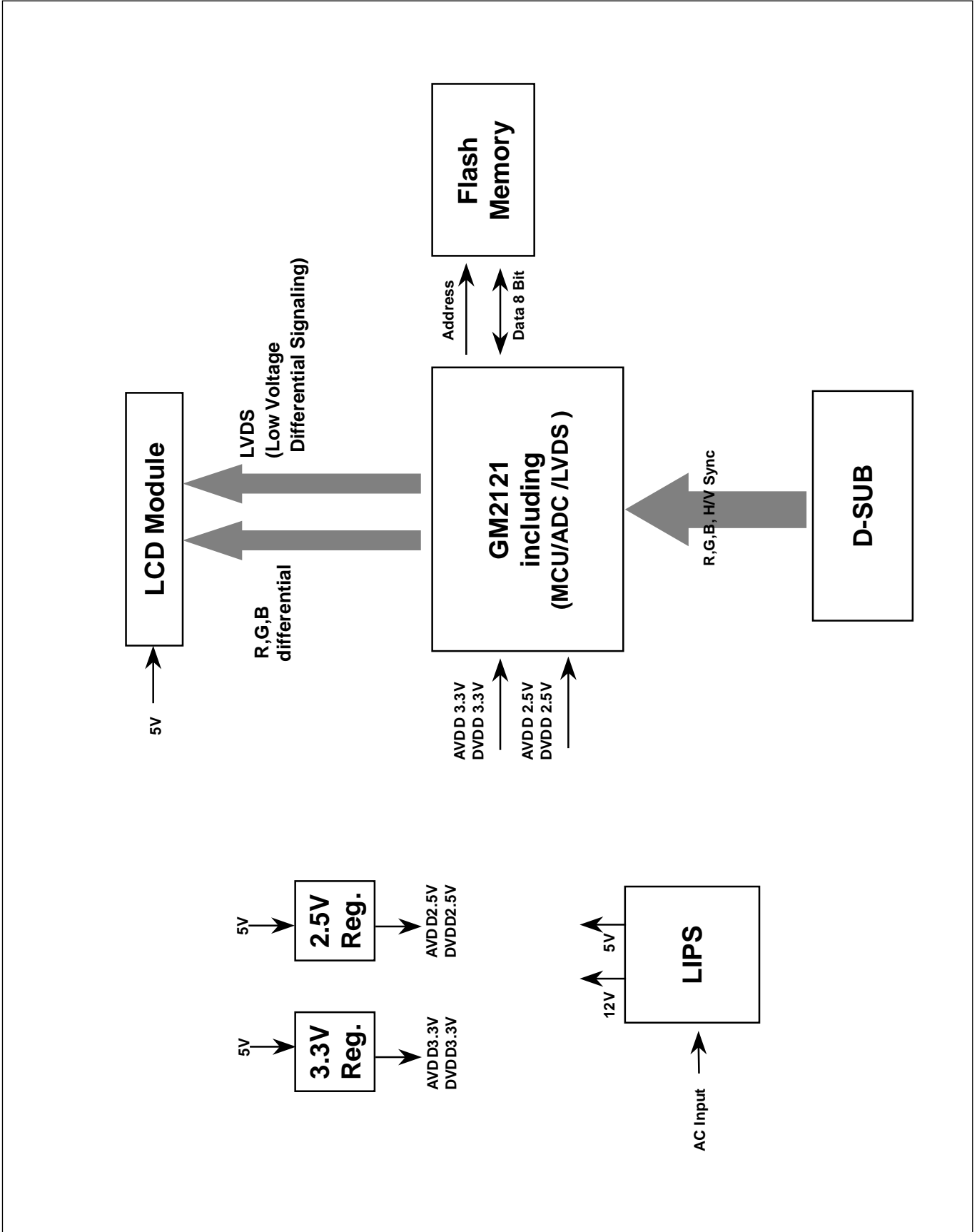
This button select the item or executes the settings in the menu.

5. Backlight control Button

WIRING DIAGRAM



BLOCK DIAGRAM



ADJUSTMENT

1. Procedures of how to go to service mode.

- 1) Enter the service mode of this unit by turning on the power while pressing and holding the "↓" key simultaneously.
- 2) Press "MENU" key----MAINTAIN.
- 3) Press "OK" key to enter the service menu.
- 4) Select the desired function.
- 5) Press the "MENU" key to exit OSD.
- 6) Turn off the power and then turn on it again. The monitor then enters the normal mode.
To enter the service again, repeat the procedure described above.

Note

W/B readjustment is required after the panel, board and microcomputer are replaced. However, be sure to perform aging for more than 30 minutes for RGB reset before W/B adjustment.

2. Setup

- 1) Prepare timing and pattern data for a signal generator according to the Sony timing specifications.
- 2) Connect a monitor video cable to the signal generator.
- 3) Put Color Analyzer(ex. CA-110) 50cm away from the monitor, specify it vertically in the center of the display, and adjust the focus to the optimum level using an eyepiece.
- 4) Put the monitor and Color Analyzer(ex. CA-110) in a light-shielded room.
- 5) Set up [SERVICE MODE] of the monitor.

3. Operation

Data is manually set to improve the productivity. The brightness, contrast, and backlight are set to 50, 70 and 100 respectively. After that, the default data of the color temperature to be adjusted is set.

4. Warm up time

Warm up for 30 minutes before performing any adjustment.

5. Adjustment for White Balance

- a. Display Full white pattern at SXGA/60Hz.
- b. Set up [SERVICE MODE].
- c. Click "INITIAL EEPROM".
- d. Click "WHITE BALANCE".

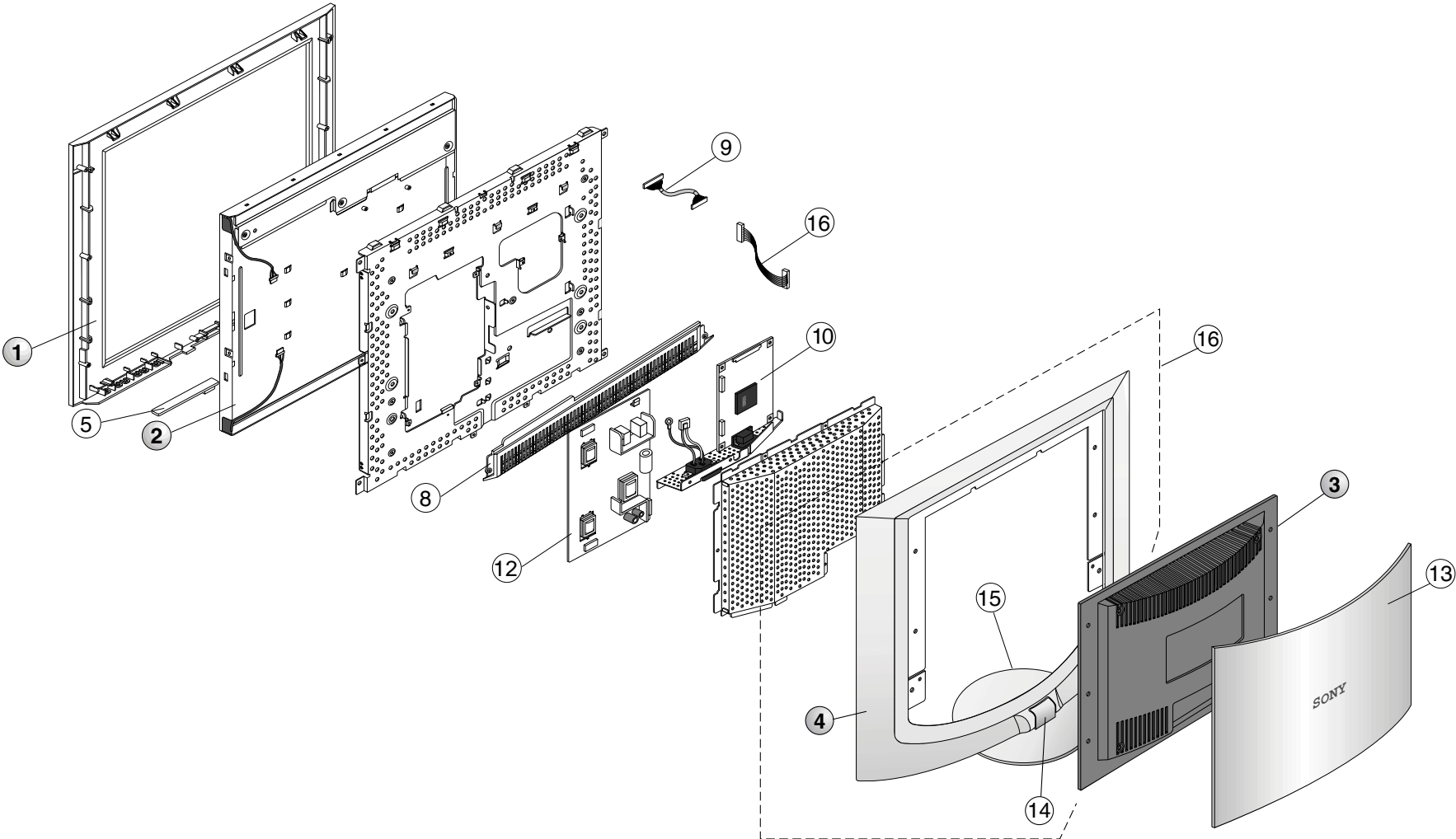
6. 9300K color adjustment

- a. Select "9300K" in "COLOR TEMP" and enter.
- b. Use a 35% IRE white video field in the primary mode.
- c. Adjust "SUB CONTRAST " to secure the color temperature.
- d. Press "OK" key to exit adjust mode.

7. 6500K color adjustment

- a. Select "6500K" in "COLOR TEMP" and enter.
- b. Repeat the adjustment procedure as steps b to d at 9300K.

EXPLODED VIEW



EXPLODED VIEW PARTS LIST

LEG Production

Ref. No.	Part No.	Description	Remark
1	X-4041-462-1	BEZEL ASSY(White)	3091TKL061A
	X-4041-466-1	BEZEL ASSY(Blue)	3091TKL061B
	X-4041-478-1	BEZEL ASSY(Gray)	3091TKL061C
2	1-805-277-11	LCD PANEL (M170EN05)	6304FAU005A
3	X-4042-469-1	BACK CABINET ASSY(Gray)	3809TKL041C
	X-4041-463-1	BACK CABINET ASSY(White)	3809TKL041A
	X-4041-467-1	BACK CABINET ASSY(Blue)	3809TKL041B
4	X-4041-464-1	CENTER CABINET ASSY	3043TKK109A
5	A-1405-151-A	H MOUNT/ CONTROL	6871TST369E
8	4-094-405-01	COVER, BOTTOM VENT(White)	3550TKK301A
	4-094-405-11	COVER, BOTTOM VENT(Blue)	3550TKK301B
	4-094-405-21	COVER, BOTTOM VENT(Gray)	3550TKK301C
9	1-900-273-29	LVDS CONNECTOR ASSY	6631T11016Q
10	A-1405-150-A	A MOUNT/SCALER	3313TL7014G
12	A-1404-781-A	G MOUNT/POWER AC-DC	6871TPT237G
13	4-094-406-01	COVER, REAR(White)	3550TKK302A
	4-094-406-11	COVER, REAR(Blue)	3550TKK302B
	4-094-406-21	COVER, REAR(Gray)	3550TKK302C
14	4-094-409-01	HINGE COVER	3550TKK305A
15	X-4041-465-1	STAND ASSY	3043TKK115A
16	X-4042-661-1	CENTER CABINET ASSY WITH TILT SWIVEL ASSY	3043TKK109B
	4-094-454-01	PURSE LOCK	4930TKK026B
ACCESSORIES & PACKING MATERIALS			
	1-827-110-21	CABLE, D-SUB	6850TD9004C
	1-827-118-21	CORD SET, POWER SUPPLY (UC)	6410TUW002G
	1-827-120-21	CORD SET, POWER SUPPLY (AEP)	6410TEW005D
	1-827-781-21	CORD SET, POWER SUPPLY (CH)	6410TCW004B
	4-094-157-01	CD-ROM (MANUAL) (AEP, CH)	3170TZ1226B
	4-094-506-11	CD-ROM (MANUAL) (UC)	3170TZ1226C
	4-094-158-01	QUICK SETUP GUIDE(UC, CH)	3828TUO206B
	4-094-158-11	QUICK SETUP GUIDE(AEP)	3828TUO206D
	* 4-094-346-01	INDIVIDUAL CARTON	3890TSE412A
	* 4-094-401-01	BAG, PROTECTION	3880TKZ009E
	* 4-094-417-01	CUSHION	3920TKE217A

TPV Production

Ref. No.	Part No.	Description	Remarks
1	X-4043-112-1	BEZEL ASSY (Gray)	34L1264AHY L GP
	X-4043-120-1	BEZEL ASSY (Black)	34L1264AKA L GP
	X-4042-892-1	BEZEL ASSY (White)	34L1264AHV L GP
	X-4043-114-1	BEZEL ASSY (Blue)	34L1264AHX L GP
2	1-805-564-11	LCD PANEL (CPT)	750LLC50G08 GP
	1-805-277-21	LCD PANEL (AU)	750L LU70-N05-GP
3	X-4043-113-1	BACK CABINET ASSY(Gray)	34L1266 HY L GP
	X-4043-121-1	BACK CABINET ASSY(Black)	34L1266 KA L GP
	X-4042-893-1	BACK CABINET ASSY(White)	34L1266 HV L GP
	X-4043-115-1	BACK CABINET ASSY(Blue)	34L1266 HX L GP
4	X-4042-894-1	CENTER CABINET ASSY	34L1267 HW B GP
5	A-1410-864-A	H MOUNT	33L4691 HW L GP
8	4-101-653-11	BOTTOM VENT COVER (Gray)	34L1269 HW L GP
	4-101-653-31	BOTTOM VENT COVER (Black)	34L1269 KA L GP
	4-101-653-01	BOTTOM VENT COVER (White)	34L1269 HW L GP
	4-101-653-21	BOTTOM VENT COVER (Blue)	34L1269 HW L GP
9	1-900-283-15	CONNECTOR ASSY	95L8018-30-35 GP
10	A-1410-863-A	A MOUNT (for CPT)	71521217-1 GP
	N/A	A MOUNT (for AU)	715L1217-1 GP
12	A-1410-861-A	G MOUNT (for CPT)	715L1200-E-GP
	A-1410-862-A	G MOUNT (for AU)	N/A
13	4-101-654-11	REAR COVER (Gray)	34L1268AHY B GP
	4-101-654-31	REAR COVER (Black)	34L1268AKA L GP
	4-101-654-01	REAR COVER (White)	34L1268 AHV B GP
	4-101-654-21	REAR COVER (Blue)	34L1268 AHX B GP
14	4-101-657-01	HINGE COVER	33L4690 HW L GP
15	X-4042-895-1	STAND ASSY	705L780KB3439G GP
ACCESSORIES & PACKING MATERIALS			
	4-101-571-01	INDIVIDUAL CARTON	44LP701-834-1A GP
	4-101-666-01	CUSHION	44LP701-1/2 GP
	4-101-643-01	PROTECTION BAG	45L88607SN2 GP
	1-828-847-11	POWER-SUPPLY CORD SET (U/C)	89L40213-18N-IS GP
	1-827-120-21	POWER-SUPPLY CORD SET (AEP)	LG's AC Power Cord ↗LG P/N: 6410TEW005D↖
	1-827-110-21	D-SUB CABLE	89L1738-LAS-12 GP
	4-094-158-32	QUICK SETUP GUIDE (U/C, CH)	41L7800-834-5A GP
	4-094-158-41	QUICK SETUP GUIDE (AEP)	41L7800834 5B GP
	4-101-574-02	CD-ROM	70L1600-834-1A GP
	4-101-644-01	PURSE LOCK	LG's Purse Lock ↗Sony P/N: 409445401↖