

STR-DB870/DB1070

SERVICE MANUAL

Ver 1.5 2003.07

US Model
E Model
Chinese Model
STR-DB1070
Canadian Model
AEP Model
UK Model
STR-DB870/DB1070



Photo: STR-DB870

This receiver incorporates Dolby* Digital and Pro Logic Surround and the DTS** Digital Surround System.

* Manufactured under license from Dolby Laboratories.

"Dolby", "Pro Logic" and the double-D symbol are trademarks of Dolby Laboratories.

** "DTS" and "DTS Digital Surround" are registered trademarks of Digital Theater Systems, Inc.

SPECIFICATIONS

AUDIO POWER SPECIFICATIONS

POWER OUTPUT AND TOTAL HARMONIC DISTORTION:

With 8 ohm loads, both channels driven, from 20 – 20,000 Hz; rated 100 watts per channel minimum RMS power, with no more than 0.09 % total harmonic distortion from 250 milliwatts to rated output (Models of area code U only).

Amplifier section

POWER OUTPUT

Models of area code U, CA

Rated Power Output at Stereo Mode

(8 ohms 20 Hz – 20 kHz, THD 0.09 %)
100 W + 100 W
(4 ohms 20 Hz – 20 kHz, THD 0.09 %)
90 W + 90 W

Reference Power Output²⁾

(8 ohms 20 Hz – 20 kHz, THD 0.09 %)
STR-DB1070: FRONT¹⁾: 100 W + 100 W
CENTER¹⁾: 100 W

SURR¹⁾: 100 W + 100 W
STR-DB870: SURR BACK¹⁾: 100 W

FRONT¹⁾: 100 W + 100 W
CENTER¹⁾: 100 W

SURR¹⁾: 100 W + 100 W
(4 ohms 20 Hz – 20 kHz, THD 0.09 %)

STR-DB1070: FRONT¹⁾: 90 W + 90 W
CENTER¹⁾: 90 W

SURR¹⁾: 90 W + 90 W
STR-DB870: SURR BACK¹⁾: 90 W

FRONT¹⁾: 90 W + 90 W
CENTER¹⁾: 90 W
SURR¹⁾: 90 W + 90 W

Models of other area code

Rated Power Output at Stereo Mode

(8 ohms 1 kHz, THD 0.7 %)

STR-DB1070: 100 W + 100 W²⁾

90 W + 90 W²⁾

STR-DB870: 100 W + 100 W²⁾

(4 ohms 1 kHz, THD 0.7 %)

STR-DB1070: 90 W + 90 W²⁾

80 W + 80 W²⁾

STR-DB870: 100 W + 100 W²⁾

Reference Power Output²⁾

(8 ohms 1 kHz, THD 0.7 %)

STR-DB1070: FRONT¹⁾: 100 W + 100 W
CENTER¹⁾: 100 W

STR-DB870: SURR¹⁾: 100 W + 100 W
SURR BACK¹⁾: 100 W

FRONT¹⁾: 100 W + 100 W
CENTER¹⁾: 100 W

SURR¹⁾: 100 W + 100 W
(4 ohms 1 kHz, THD 0.7 %)

STR-DB1070: FRONT¹⁾: 90 W + 90 W
CENTER¹⁾: 90 W

SURR¹⁾: 90 W + 90 W
STR-DB870: SURR BACK¹⁾: 90 W

FRONT¹⁾: 100 W + 100 W
CENTER¹⁾: 100 W

SURR¹⁾: 100 W + 100 W
(8 ohms 20 Hz – 20 kHz, THD 0.09 %)

STR-DB1070: FRONT¹⁾: 90 W + 90 W
CENTER¹⁾: 90 W

SURR¹⁾: 90 W + 90 W
STR-DB870: SURR BACK¹⁾: 90 W

FRONT¹⁾: 90 W + 90 W
CENTER¹⁾: 90 W

SURR¹⁾: 90 W + 90 W

(4 ohms 20 Hz – 20 kHz, THD 0.09 %)

STR-DB1070: FRONT¹⁾: 80 W + 80 W

CENTER¹⁾: 80 W

SURR¹⁾: 80 W + 80 W

STR-DB870: SURR BACK¹⁾: 80 W

FRONT¹⁾: 90 W + 90 W

CENTER¹⁾: 90 W

SURR¹⁾: 90 W + 90 W

1) Depending on the sound field settings and the source, there may be no sound output.

2) Measured under the following conditions:

Area code	Power requirements
E	240 V AC, 50 Hz
CN, SP, CEL, KR	230 V AC, 50 Hz
TW	110 V AC, 60 Hz

3) Measured under the following conditions:

Area code	Power requirements
CN	220 V AC, 50 Hz

Frequency response

PHONO RIAA equalization curve
±0.5 dB

CD/SACD, TAPE, 10 Hz – 100 kHz
MD/DAT, MD/TAPE, ±3 dB (with sound field,
TV/SAT, DVD/LD, equalizer, and bass boost
VIDEO 1, 2, 3 bypassed)

– Continued on next page –

FM STEREO/FM-AM RECEIVER

9-873-842-16

2003G05-1

© 2003.07

Sony Corporation

Home Audio Company

Published by Sony Engineering Corporation

SONY®

STR-DB870/DB1070

Inputs (Analog)

PHONO	Sensitivity: 2.5 mV Impedance: 50 kilohms S/N ⁴⁾ : 86 dB (A, 2.5 mV ⁵⁾)
MULTI CH IN (1, 2), CD/SACD, TAPE, MD/DAT, MD/TAPE, DVD/LD, TV/SAT, VIDEO 1, 2, 3	Sensitivity: 150 mV Impedance: 50 kilohms S/N ⁴⁾ : 96 dB (A, 150 mV ⁵⁾)

4) INPUT SHORT.

5) Weighted network, input level.

Inputs (Digital)

DVD/LD (Coaxial)	Sensitivity: – Impedance: 75 ohms S/N: 100 dB (A, 20 kHz LPF)
DVD/LD, TV/SAT, MD/DAT, MD/TAPE (Optical)	Sensitivity: – Impedance: – S/N: 100 dB (A, 20 kHz LPF)

Outputs

TAPE, MD/DAT, MD/ TAPE (REC OUT), VIDEO 1, 2 (AUDIO OUT)	Voltage: 150 mV Impedance: 1 kilohms
FRONT L/R, CENTER, SURROUND L/R, SURROUND BACK, SUB WOOFER	Voltage: 2 V Impedance: 1 kilohms

EQ

BASS:	99 Hz~1.0 kHz (21 steps)
MID:	198 Hz~10 kHz (37 steps)
TREBLE:	1.0 kHz~10 kHz (23 steps)
Gain levels:	±10 dB, 1 dB step

FM tuner section

Tuning range 87.5 - 108.0 MHz

Antenna terminals 75 ohms, unbalanced

Sensitivity

Mono:	18.3 dBf, 2.2 μV/75 ohms
Stereo:	38.3 dBf, 22.5 μV/75 ohms

Usable sensitivity 11.2 dBf, 1 μV/75 ohms

S/N

Mono:	76 dB
Stereo:	70 dB

Harmonic distortion at 1 kHz

Mono:	0.3%
Stereo:	0.5%

Separation 45 dB at 1 kHz

Frequency response 30 Hz – 15 kHz,
+0.5/-2 dB

Selectivity 60 dB at 400 kHz

AM tuner section

Tuning range

Models of area code U, CA

With 10-kHz tuning scale: 530 – 1.710 kHz⁶⁾

With 9-kHz tuning scale: 531 – 1.710 kHz⁶⁾

Models of area code E

With 10-kHz tuning scale: 530 – 1.610 kHz⁶⁾

With 9-kHz tuning scale: 531 – 1.602 kHz⁶⁾

Models of area code CN, SP, CEL, TW, KR

With 9-kHz tuning scale: 531 – 1.602 kHz

Antenna Loop antenna

Usable sensitivity 50 dB/m (at 1,000 kHz or
999 kHz)

S/N 54 dB (at 50 mV/m)

Harmonic distortion 0.5 % (50 mV/m,
400 kHz)

Selectivity

At 9 kHz:	35 dB
At 10 kHz:	40 dB

6) You can change the AM tuning scale to 9 kHz or 10 kHz. After tuning in any AM station, turn off the receiver. Hold down TUNING – and press I/⏻. All preset stations will be erased when you change the tuning scale. To reset the scale to 10 kHz (or 9 kHz), repeat the procedure.

Video section

Inputs

Video:	1 Vp-p, 75 ohms
S-video:	Y: 1 Vp-p, 75 ohms C: 0.286 Vp-p, 75 ohms

Outputs

Video:	1 Vp-p, 75 ohms
S-video:	Y: 1 Vp-p, 75 ohms C: 0.286 Vp-p, 75 ohms

General

Power requirements

Area code	Power requirements
U, CA	120 V AC, 60 Hz
CEL	230 V AC, 50/60 Hz
CN, SP	220 – 230 V AC, 50/60 Hz
E	120/220/240 V AC, 50/60 Hz
TW	110 V AC, 60 Hz
KR	220 V – 230 V AC, 60 Hz

Power consumption

Area code	Power consumption
U	STR-DB1070: 300 W
CA	STR-DB1070: 420 VA STR-DB870: 390 VA
CEL	STR-DB1070: 240 W STR-DB870: 230 W
CN, SP, E, TW, KR	STR-DB1070: 240 W

AC outlets

Area code	AC outlets
U, CA	2 switched, 120 W/1A MAX
SP, CEL, KR	1 switched, 100 W MAX
CN, E, TW	2 switched, 100 W MAX

Dimensions 430 × 161 × 401 mm
including projecting parts
and controls

Mass (Approx.) 16.0 kg

Supplied accessories

- FM wire antenna (1)
- AM loop antenna (1)
- Models of area code U, CA
 - Audio/video/control S connecting cord (1)
 - Control S connecting cord (1)
- STR-DB1070 only
 - Models of area code U, CA
 - Remote commander RM-PP505L (1)
 - R6 (size-AA) batteries (2)
 - Models of other area codes
 - Remote commander RM-LP205 (1)
 - R6 (size-AA) batteries (3)
- STR-DB870 only
 - Models of area code CA
 - Remote commander RM-PP505 (1)
 - R6 (size-AA) batteries (2)
 - Models of area code CEL
 - Remote commander RM-U305 (1)
 - R6 (size-AA) batteries (2)

Design and specifications are subject to change without notice.

• Abbreviation

CA : Canadian model	SP : Malaysia and Singapore models
CEL : AEP and UK models	TW : Taiwan model
CN : Chinese model	U : US model
KR : Korean model	

Notes on chip component replacement

- Never reuse a disconnected chip component.
- Notice that the minus side of a tantalum capacitor may be damaged by heat.

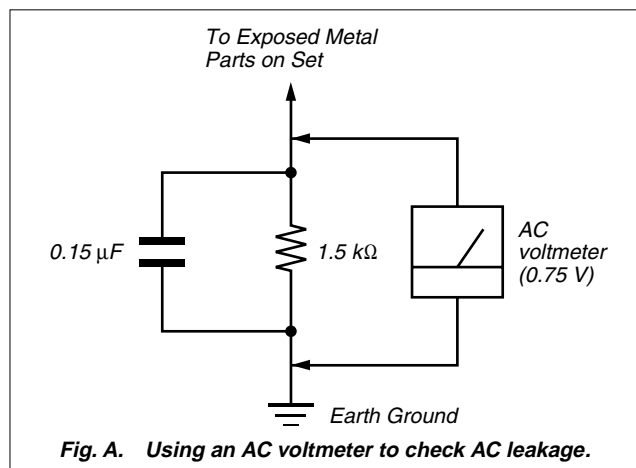
SAFETY CHECK-OUT

After correcting the original service problem, perform the following safety check before releasing the set to the customer: Check the antenna terminals, metal trim, “metallized” knobs, screws, and all other exposed metal parts for AC leakage. Check leakage as described below.

LEAKAGE TEST

The AC leakage from any exposed metal part to earth ground and from all exposed metal parts to any exposed metal part having a return to chassis, must not exceed 0.5 mA (500 microamperes.). Leakage current can be measured by any one of three methods.

1. A commercial leakage tester, such as the Simpson 229 or RCA WT-540A. Follow the manufacturers' instructions to use these instruments.
2. A battery-operated AC milliammeter. The Data Precision 245 digital multimeter is suitable for this job.
3. Measuring the voltage drop across a resistor by means of a VOM or battery-operated AC voltmeter. The “limit” indication is 0.75 V, so analog meters must have an accurate low-voltage scale. The Simpson 250 and Sanwa SH-63Trd are examples of a passive VOM that is suitable. Nearly all battery operated digital multimeters that have a 2 V AC range are suitable. (See Fig. A)



与安全有关的零部件须知

在原理图上用阴影及 \triangle 标记来识别的零部件在安全操作上是具有关键性的。这些零部件要用本手册中所示的部件号对应的索尼零部件进行更换。

在安全操作上具有关键性的电路调整与索尼公司出版的维修手册完全一致。在更换关键零部件时或怀疑动作失常时，请进行这些调整操作。

SAFETY-RELATED COMPONENT WARNING!!

COMPONENTS IDENTIFIED BY MARK \triangle OR DOTTED LINE WITH MARK \triangle ON THE SCHEMATIC DIAGRAMS AND IN THE PARTS LIST ARE CRITICAL TO SAFE OPERATION. REPLACE THESE COMPONENTS WITH SONY PARTS WHOSE PART NUMBERS APPEAR AS SHOWN IN THIS MANUAL OR IN SUPPLEMENTS PUBLISHED BY SONY.

ATTENTION AU COMPOSANT AYANT RAPPORT À LA SÉCURITÉ!

LES COMPOSANTS IDENTIFIÉS PAR UNE MARQUE \triangle SUR LES DIAGRAMMES SCHÉMATIQUES ET LA LISTE DES PIÈCES SONT CRITIQUES POUR LA SÉCURITÉ DE FONCTIONNEMENT. NE REMPLACER CES COMPOSANTS QUE PAR DES PIÈCES SONY DONT LES NUMÉROS SONT DONNÉS DANS CE MANUEL OU DANS LES SUPPLÉMENTS PUBLIÉS PAR SONY.

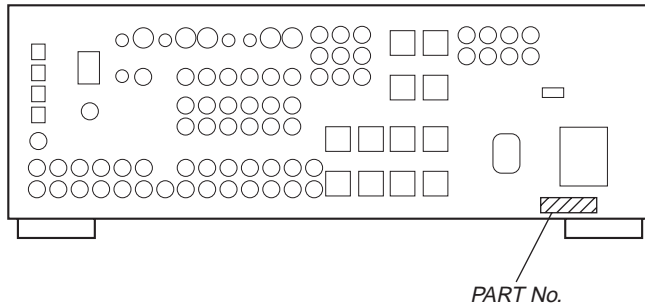
TABLE OF CONTENTS

1. SERVICING NOTES	5	7. EXPLODED VIEWS	
2. GENERAL	6	7-1. Case Section	63
3. DISASSEMBLY		7-2. Front Panel Section-1	64
3-1. Disassembly Flow	8	7-3. Front Panel Section-2	65
3-2. Case	9	7-4. Chassis Section-1	66
3-3. S-VIDEO board, VIDEO Board, Tuner	9	7-5. Chassis Section-2	67
3-4. VIDEO AU Board	10	8. ELECTRICAL PARTS LIST	68
3-5. DIGITAL Board	10		
3-6. MAIN Board	11		
4. TEST MODE	12		
5. ELECTRICAL ADJUSTMENT	13		
6. DIAGRAMS			
6-1. Block Diagram			
– TUNER/VIDEO INPUT Section –	15		
6-2. Block Diagram – AUDIO DSP Section –	16		
6-3. Block Diagram – AUDIO CONTROL Section –	17		
6-4. Block Diagram – POWER AMP Section –	18		
6-5. Block Diagram			
– DISPLAY/KEY CONTROL Section –	19		
6-6. Block Diagram – POWER SUPPLY Section –	20		
6-7. Note for Printed Wiring Boards			
and Schematic Diagrams	21		
6-8. Schematic Diagram – DIGITAL Board (1/5) –	23		
6-9. Schematic Diagram – DIGITAL Board (2/5) –	24		
6-10. Schematic Diagram – DIGITAL Board (3/5) –	25		
6-11. Schematic Diagram – DIGITAL Board (4/5) –	26		
6-12. Schematic Diagram – DIGITAL Board (5/5) –	27		
6-13. Printed Wiring Board			
– DIGITAL Board (Component Side) –	28		
6-14. Printed Wiring Board			
– DIGITAL Board (Conductor Side) –	29		
6-15. Printed Wiring Board – VIDEO Board –	30		
6-16. Schematic Diagram – VIDEO Board –	31		
6-17. Printed Wiring Boards			
– S-VIDEO/VIDEO AU Boards –	32		
6-18. Schematic Diagram			
– S-VIDEO/VIDEO AU Boards –	33		
6-19. Printed Wiring Board – MAIN Board –	34		
6-20. Schematic Diagram – MAIN Board (1/3) –	35		
6-21. Schematic Diagram – MAIN Board (2/3) –	36		
6-22. Schematic Diagram – MAIN Board (3/3) –	37		
6-23. Printed Wiring Board – BIAS Board –	38		
6-24. Schematic Diagram – BIAS Board –	39		
6-25. Printed Wiring Boards – DISP/SW Boards –	40		
6-26. Schematic Diagram – DISP/SW Boards –	41		
6-27. Printed Wiring Boards			
– H.P/MUTING/POWER/SP/VIDEO 3 Boards –	42		
6-28. Schematic Diagram			
– H.P/MUTING/POWER/SP/VIDEO 3 Boards –	43		
6-29. Printed Wiring Boards			
– POWER SUPPLY Section –	44		
6-30. Schematic Diagram – POWER SUPPLY Section –	45		
6-31. IC Pin Function Description	51		

SECTION 1 SERVICING NOTES

• MODEL IDENTIFICATION

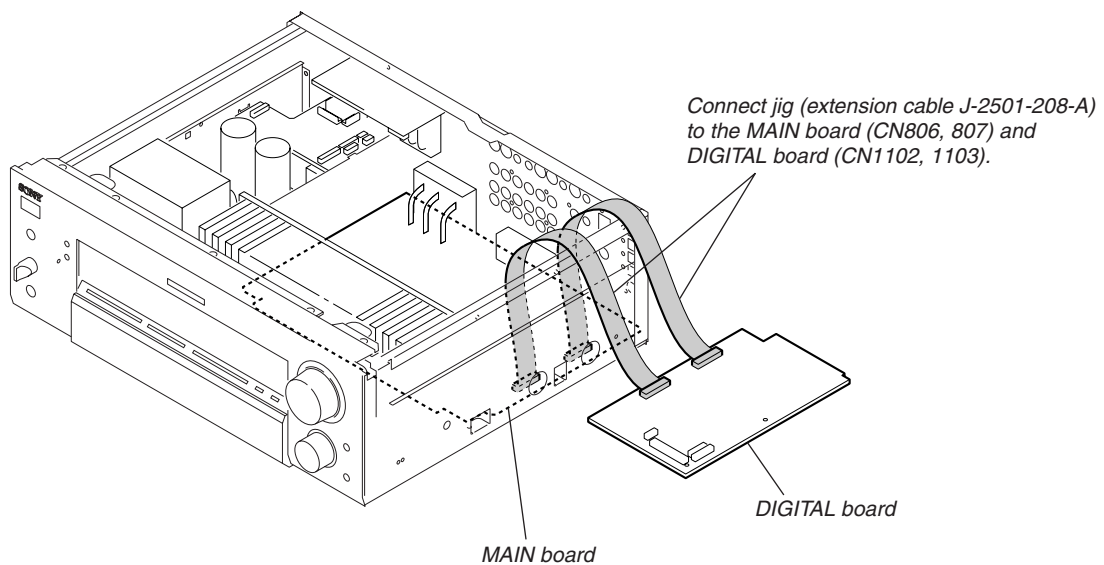
– Rear Panel –



Model	PART No.
DB1070 : US model	4-233-610-0□
DB1070 : Canadian model	4-233-610-1□
DB1070 : Malaysia and Singapore models	4-233-610-2□
DB1070 : Chinese model	4-233-610-3□
DB1070 : AEP and UK models	4-233-610-5□
DB1070 : 120 V AC area and 240 V AC area in E models	4-233-610-7□
DB1070 : Taiwan model	4-233-610-8□
DB1070 : Korean model	4-233-610-9□
DB870 : Canadian model	4-233-630-1□
DB870 : AEP and UK models	4-233-630-2□

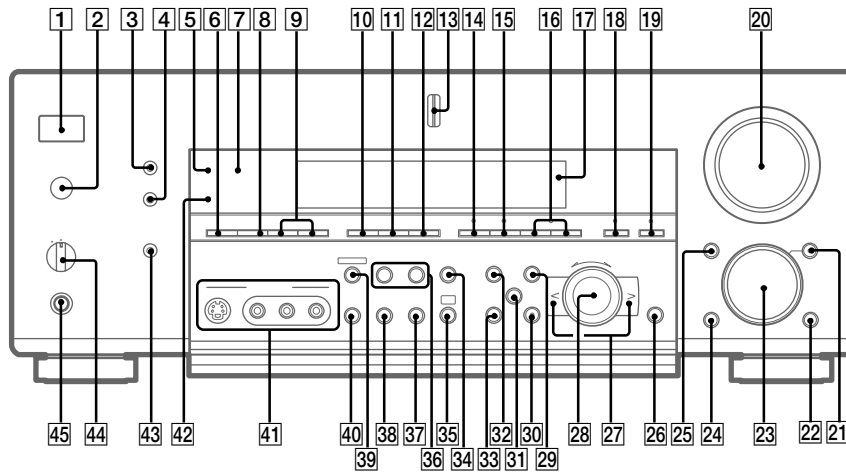
SERVICE POSITION

In checking the DIGITAL board, prepare jig (extension cable J-2501-208-A: 200 mm 21 core).



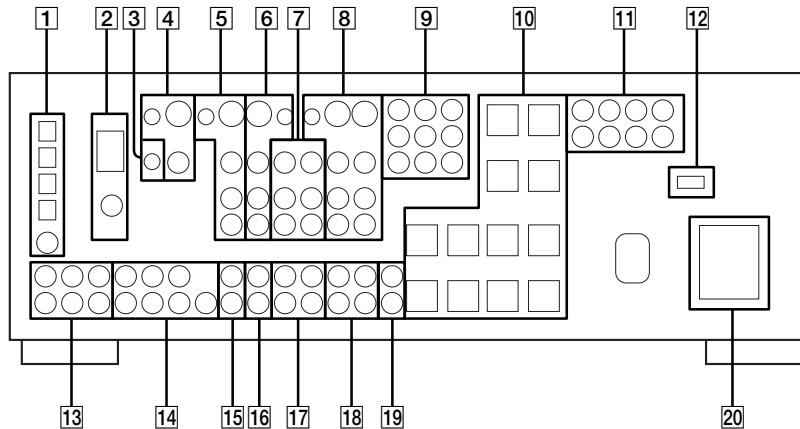
LOCATION OF CONTROLS

– Front Panel –



- | | | |
|---|---|---|
| 2CH 15 (30) | ENTER 26 (43) | NAME 33 (43) |
| 2ND ROOM (STR-DB1070 only) 35 (27) | EQ 30 (36) | NIGHT MODE 19 (31) |
| 6.1CH DECODING 10 (31) | EQUALIZER 34 (36) | ON SCREEN (STR-DB1070 only) 43 (10) |
| 6.1CH DECODING indicator 7 (31) | FM/AM 6 (38, 39) | PHONES jack 45 (26) |
| A.F.D. 14 (30) | FM MODE 40 (39) | PRESET TUNING +/- 9 (40) |
| AUDIO SPLIT 21 (25) | FUNCTION 23 (24, 25, 38, 39, 40, 43) | PTY SELECT +/- (AEP and UK models) 36 (41) |
| CINEMA STUDIO EX 11 (28) | INPUT MODE 24 (26) | RDS/PTY (AEP and UK models) 38 (41) |
| Cursor buttons (</>) 27 (19, 33, 35, 36, 43, 45) | IR receptor 2 | SET UP 32 (19, 45) |
| DIGITAL CONCERT HALL 12 (29) | Jog dial 28 (19, 33, 35, 36, 43, 45) | SHIFT 8 (40) |
| DIMMER 4 (27) | LEVEL 29 (35) | SLEEP (Except AEP and UK models) 38 (44) |
| DIMMER indicator 42 (27) | MASTER VOLUME 20 (24, 26) | SPEAKERS switch 44 (26) |
| Digital Cinema Sound indicator 5 (28) | MEMORY 39 (38, 40) | STREAM INFO (STR-DB870 only) 35 (27) |
| Display 17 (32) | MODE +/- 16 (28, 37) | SURR 31 (33) |
| DISPLAY 3 (27, 41) | MULTI/2CH A. DIRECT 18 (26, 30) | TEST TONE 37 (24) |
| DOOR OPEN 25 | MULTI CHANNEL DECODING indicator 13 | TUNING +/- 36 (39) |
| | MUTING 22 (26) | VIDEO 3 INPUT jacks 41 |
| | | I/⏻ (power) 1 (18, 23, 24, 37, 38) |

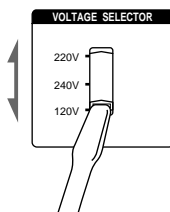
– Rear Panel –



- | | |
|--|---|
| 1 DIGITAL jack | 11 PRE OUT jack |
| 2 ANTENNA terminal | 12 IMPEDANCE SELECTOR switch |
| 3 CONTROL A1 II jack | 13 MULTI CH IN jack (STR-DB870)
MULTI CH IN 2 jack (STR-DB1070) |
| 4 MONITOR jack | 14 MULTI CH IN 1 jack (STR-DB1070) |
| 5 TV/SAT jack | 15 PHONO jack |
| 6 DVD/LD jack | 16 CD/SACD jack |
| 7 VIDEO 2 jack | 17 MD/TAPE jack (STR-DB870)
MD/DAT jack (STR-DB1070) |
| 8 VIDEO 1 jack | 18 TAPE jack (STR-DB1070) |
| 9 COMPONENT VIDEO jack (US and Canadian models) | 19 2ND ROOM jack (STR-DB1070) |
| 10 SPEAKER terminal | 20 AC OUTLET |

Setting the voltage selector (120 V AC area and 240 V AC area in E models)

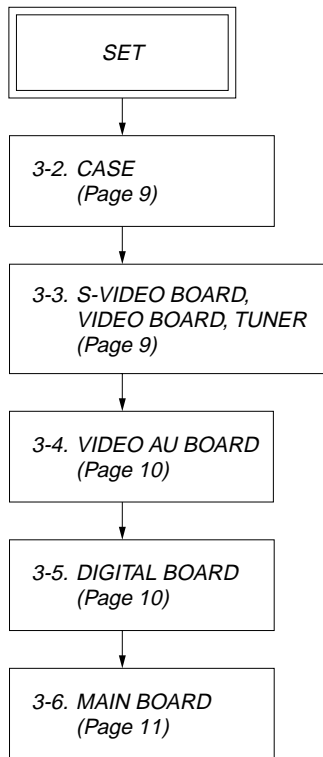
If your receiver has a voltage selector on the rear panel, check that the voltage selector is set to the local power supply voltage. If not, use a screwdriver to set the selector to the correct position before connecting the AC power cord to a wall outlet.



SECTION 3 DISASSEMBLY

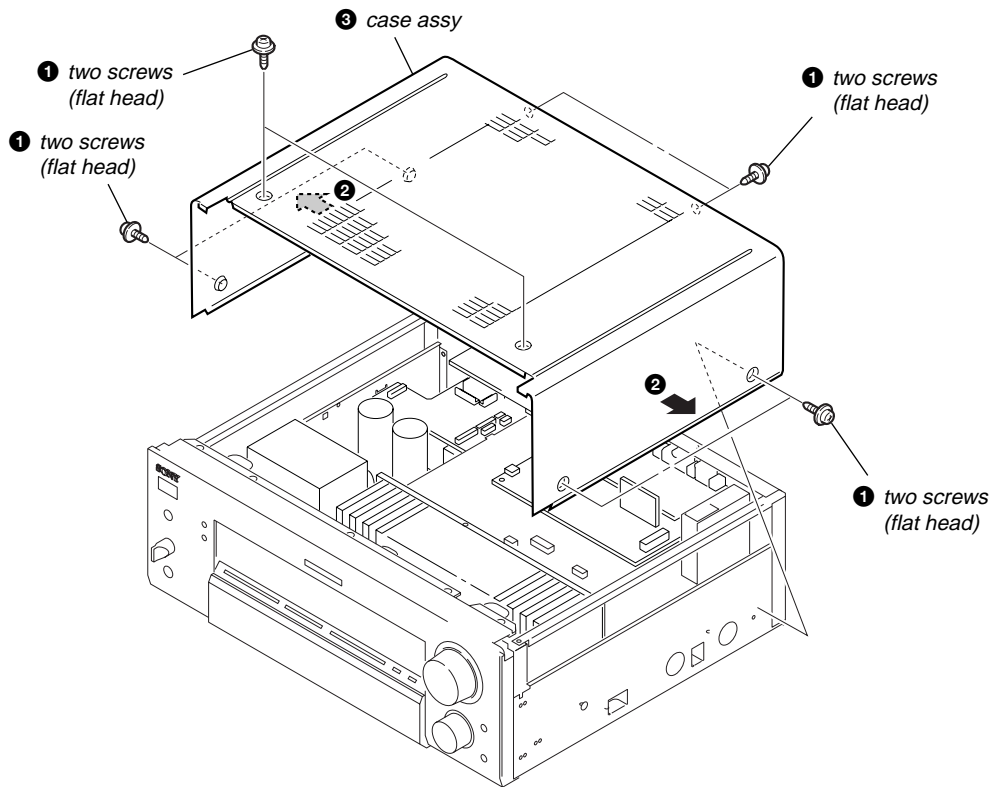
- This set can be disassembled in the order shown below.

3-1. DISASSEMBLY FLOW

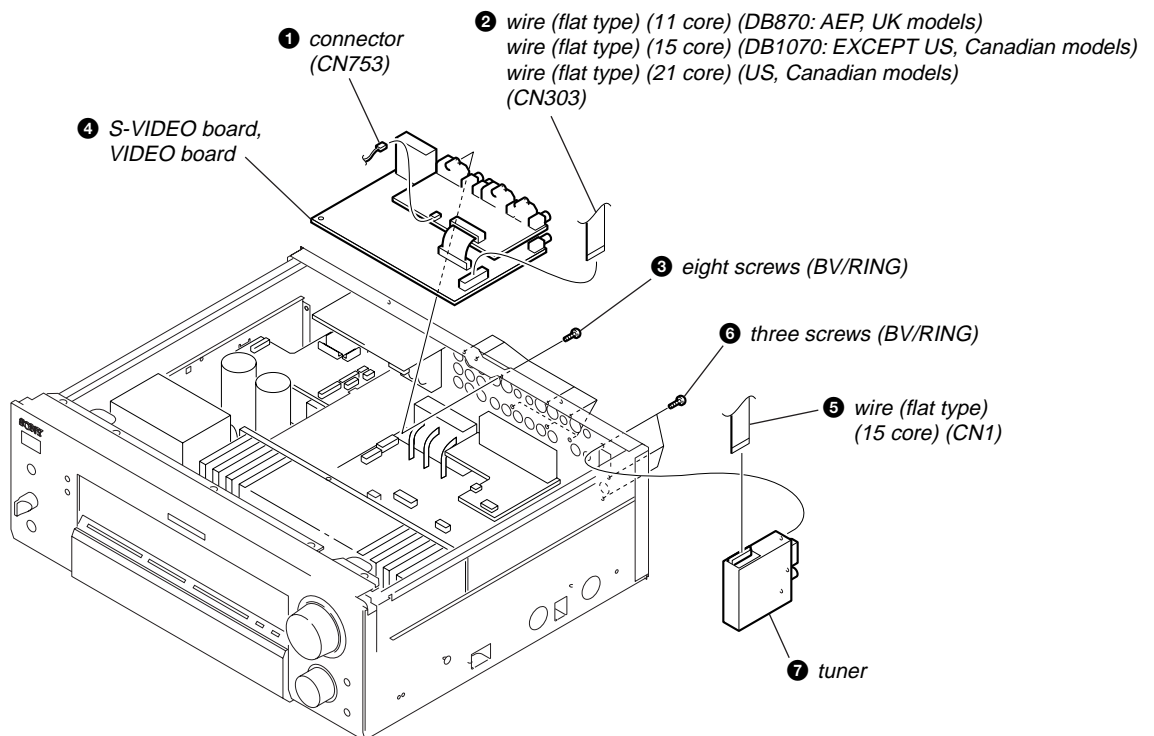


Note: Follow the disassembly procedure in the numerical order given.

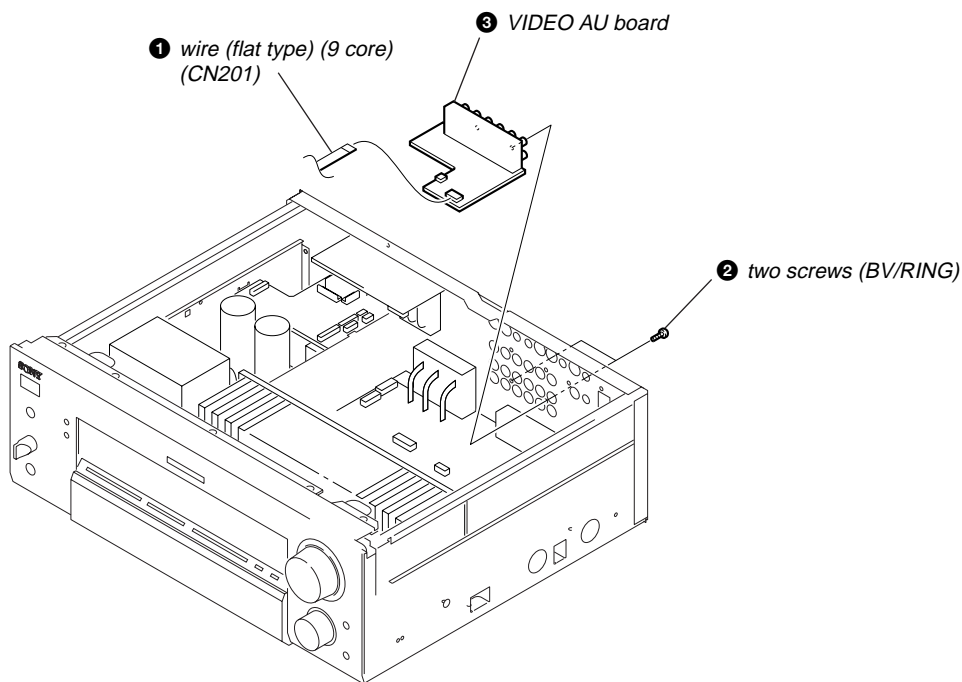
3-2. CASE



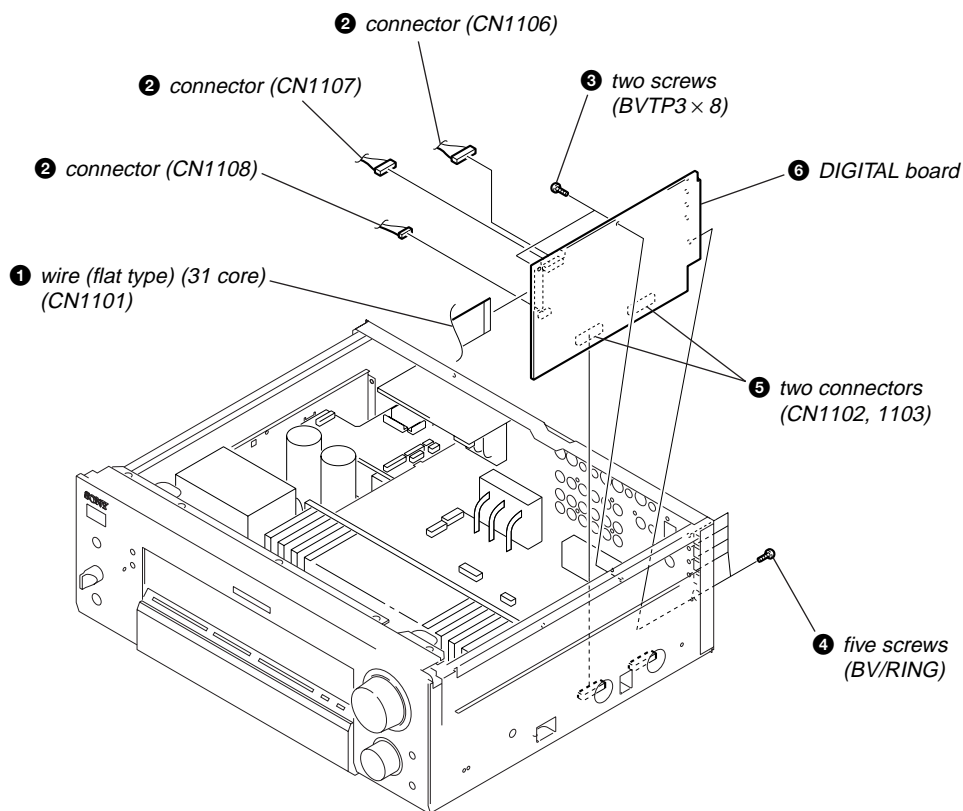
3-3. S-VIDEO BOARD, VIDEO BOARD, TUNER



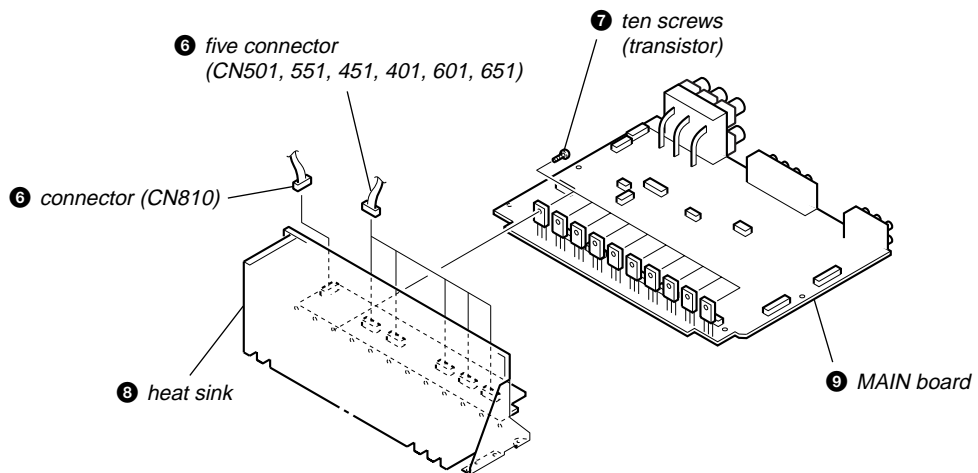
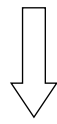
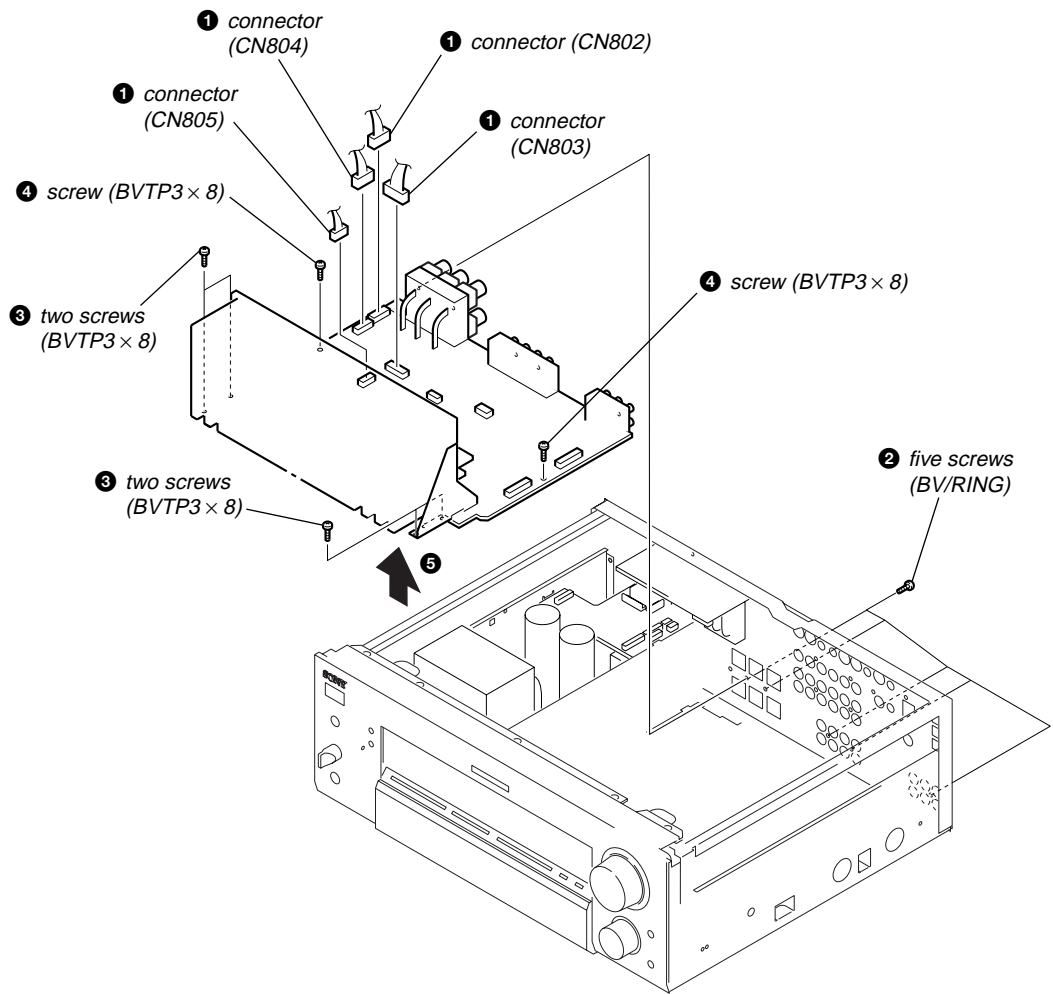
3-4. VIDEO AU BOARD



3-5. DIGITAL BOARD



3-6. MAIN BOARD



SECTION 4 TEST MODE

Factory Set Mode

All preset contents are reset to the default setting.

Procedure:

While pressing the **[SET UP]** and **[DIMMER]** buttons, press the **[I/⏻]** button to turn on the main power. The message “TUNER FACTORY PRESET” appears and the present contents are reset to the default values.

All Clear Mode

All preset contents are cleared when this mode is activated. Use this mode before returning the product to clients upon completion of repair.

Procedure:

While pressing the **[A.F.D.]** and **[MODE +]** buttons, press the **[I/⏻]** button to turn on the main power. The message “MEMORY CLEARED” appears and the memories are reset to the default values.

Sound Field Clear Mode

The preset sound field is cleared when this mode is activated. Use this mode before returning the product to clients upon completion of repair.

Procedure:

While pressing the **[MODE +]** button, press the **[I/⏻]** button to turn on the main power. The message “S.F Initialize” appears and initialization is performed.

Fluorescent Indicator Tube Test Mode

All fluorescent segments are tested. When this test is activated, all segments turn on at the same time, then each segment turns on one after another.

Procedure:

1. While pressing the **[A.F.D.]** and **[DIMMER]** buttons, press the **[I/⏻]** button to turn on the main power.
2. All segments turn on at the same time, then each segment turns on press the **[A.F.D.]** button.

Demonstration Mode

Procedure:

While pressing the **[SET UP]** button simultaneously, press the **[I/⏻]** button to turn on the main power. The set enters the DEMO mode.

Wait a while, then the demonstration starts. If the **[I/⏻]** button is pressed often the demonstration has started, the power is turned off, and the demonstration resumes if the **[I/⏻]** button is pressed again.

AM Channel Step 9 kHz/10 kHz Selection Mode (US, Canadian and E Models)

Either the 9 kHz step or 10 kHz step can be selected for the AM channel step.

Procedure:

1. Set the FUNCTION to AM. Press the **[I/⏻]** button to turn off the main power.
2. While depressing the **[PRESET TUNING +]** button, press the **[I/⏻]** button to turn on the main power.
3. Either the message “AM 9 kHz Step” or “AM 10 kHz Step” appears. Select the desired step.

Version Mode

When this mode is used, the microprocessor version number is displayed.

Procedure:

Press three buttons of **[SHIFT]**, **[MODE +]** and **[TUNING -]** simultaneously. The microprocessor version number appears.

DSP Test Mode

This test is conducted to check if the DSP functions normally.

Procedure:

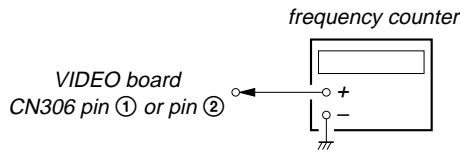
1. While pressing the **[DISPLAY]** and **[TUNING +]** buttons, press the **[I/⏻]** button to turn on the main power.
2. If the DSP is normal, the message “RWS 1:000 2:000 SYNC” appears.
3. If the DSP is abnormal, characters other than 0 appears at the 000 part of the message.

Note: RWS characters of the message correspond to the digits of 000. RW means read/write from the system controller (IC1703) to the DSP, and S means the communication between DSP and S-RAM (IC1502, IC1602). For example, if the writing of the system controller failed, 0*0 (* is a character other than 0) appears. Also, 1 and 2 indicates DSP1 (IC1501) and DSP2 (IC1601), and 1:000 and 2:000 show the test results of DSP1 and DSP2 respectively.

SECTION 5 ELECTRICAL ADJUSTMENT

OSD Adjustment (STR-DB1070 Model)

Connection



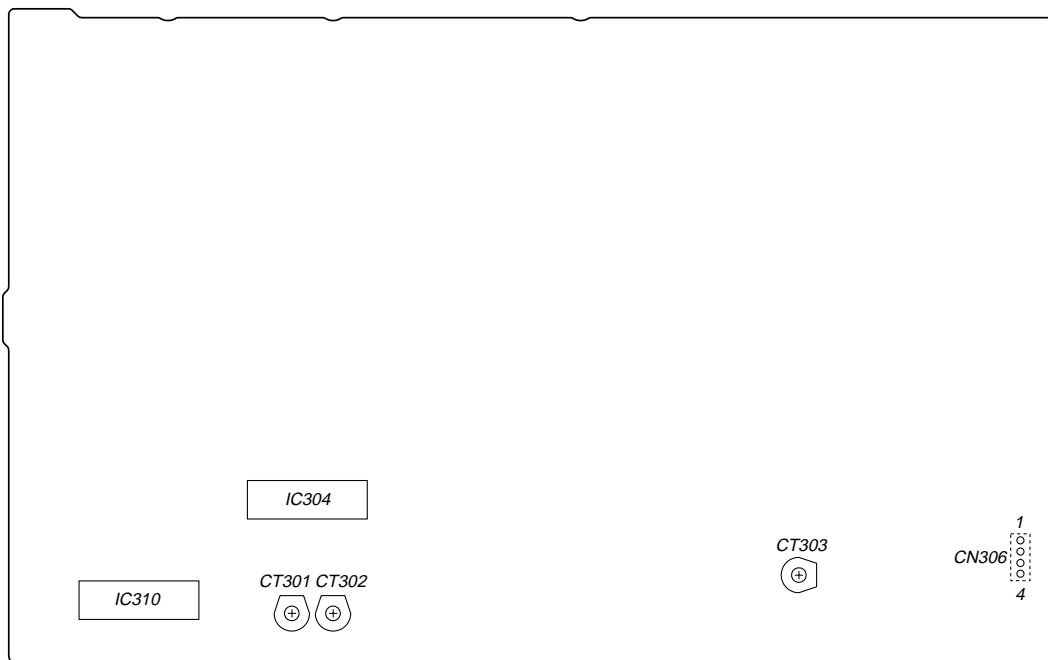
Procedure:

1. Short the CN306 pin ④ on the VIDEO board to the GND.
2. Connect a frequency counter to the CN306 pin ② on the VIDEO board.
3. Press the button to turn on the main power.
4. Press the button.
5. Press the or button to display "COLOR".
6. Turn the JOG DIAL to display "NTSC".
7. Press the button to display "OSD H.POSITION".
8. Adjust the CT302 so that the frequency counter reading is 3.57954 MHz.
9. Press the button to display "NTSC".
10. Turn the JOG DIAL to display "PAL".
11. Press the button to display "OSD H.POSITION".
12. Adjust the CT301 so that the frequency counter reading is 4.43361 MHz.
13. Press the button to turn off the main power.
14. Connect a frequency counter to the CN306 pin ① on the VIDEO board.
15. Press the button to turn on the main power.
16. Press the button.
17. Press the button to display "OSD V.POSITION".
18. Adjust the CT303 so that the frequency counter reading is 7.20 MHz.

Note: The steps 5, 6 and 9 to 12 should be performed to the models except for the US and Canadian.

Adjustment and Connection Location:

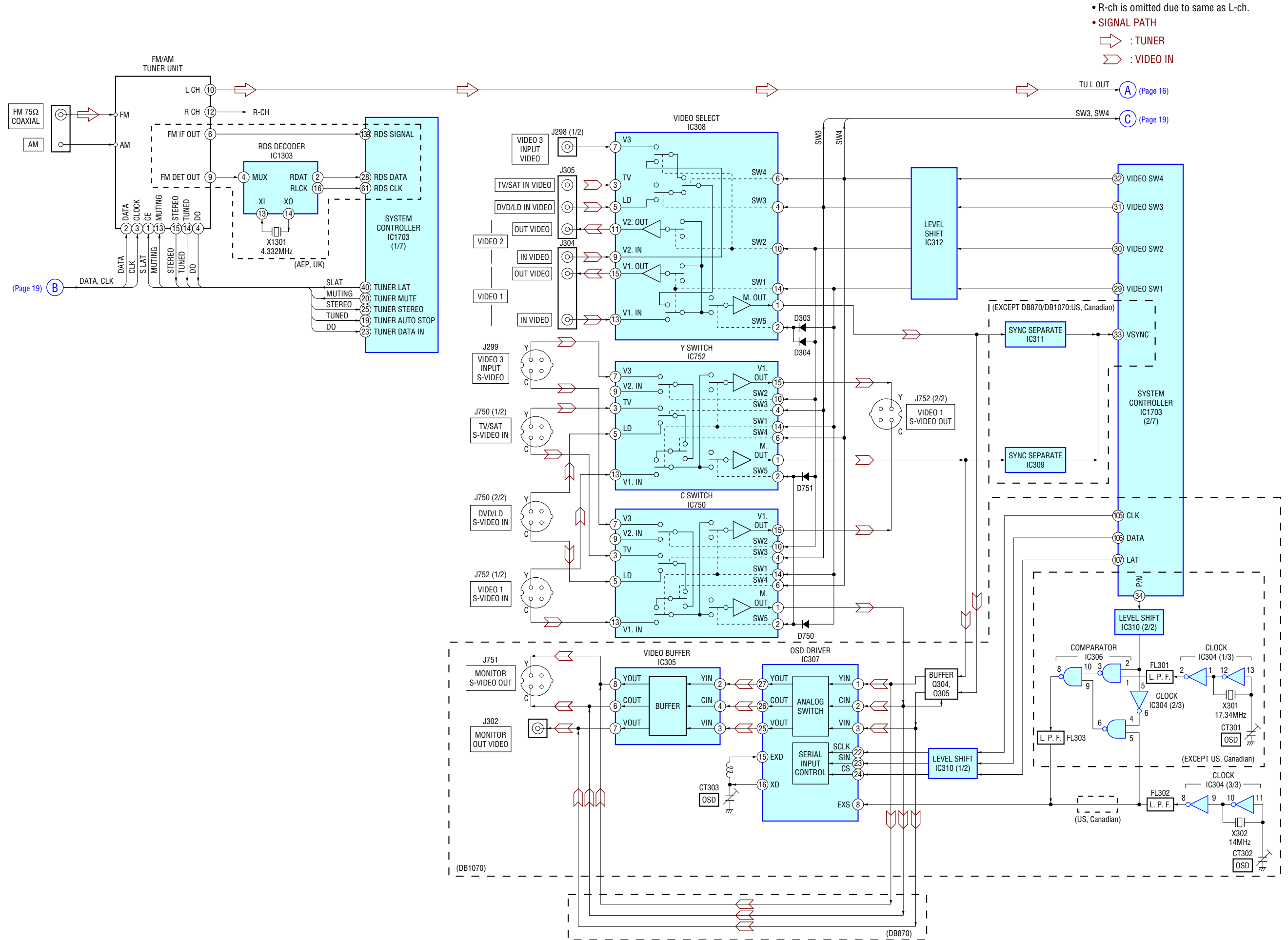
– VIDEO BOARD (Component Side) –



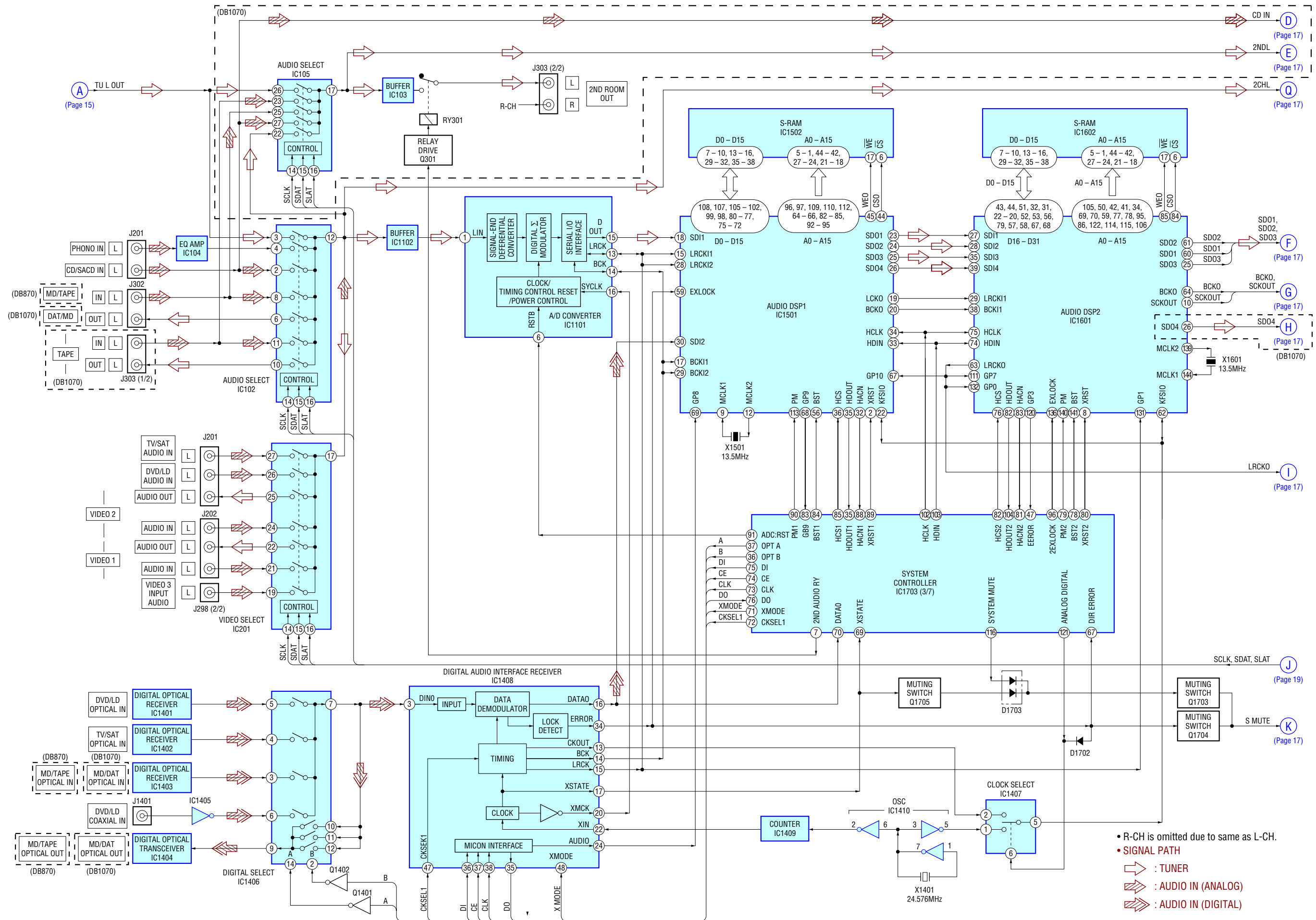
MEMO

SECTION 6
DIAGRAMS

6-1. BLOCK DIAGRAM – TUNER/VIDEO INPUT Section –

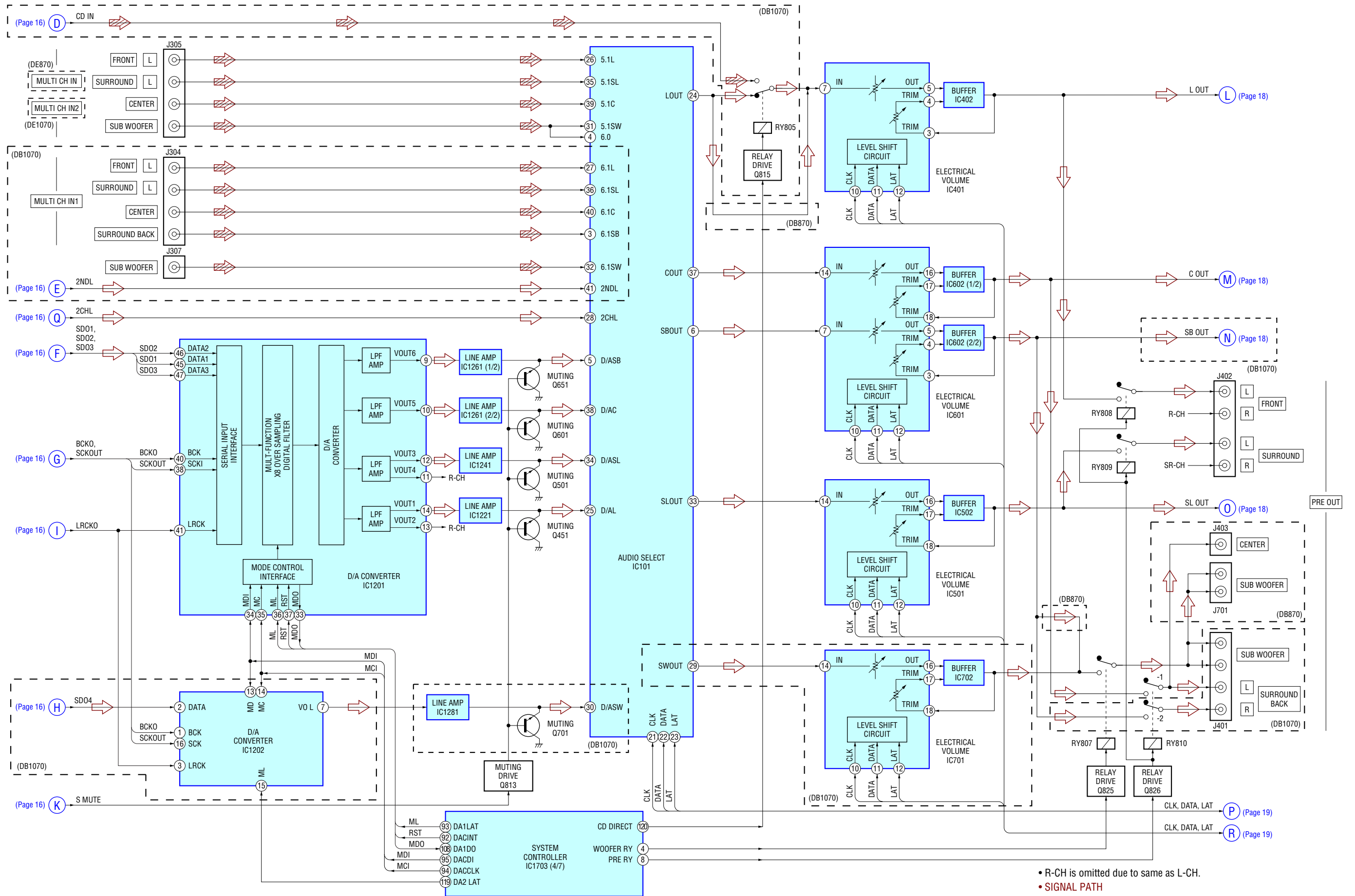


6-2. BLOCK DIAGRAM – AUDIO DSP Section –



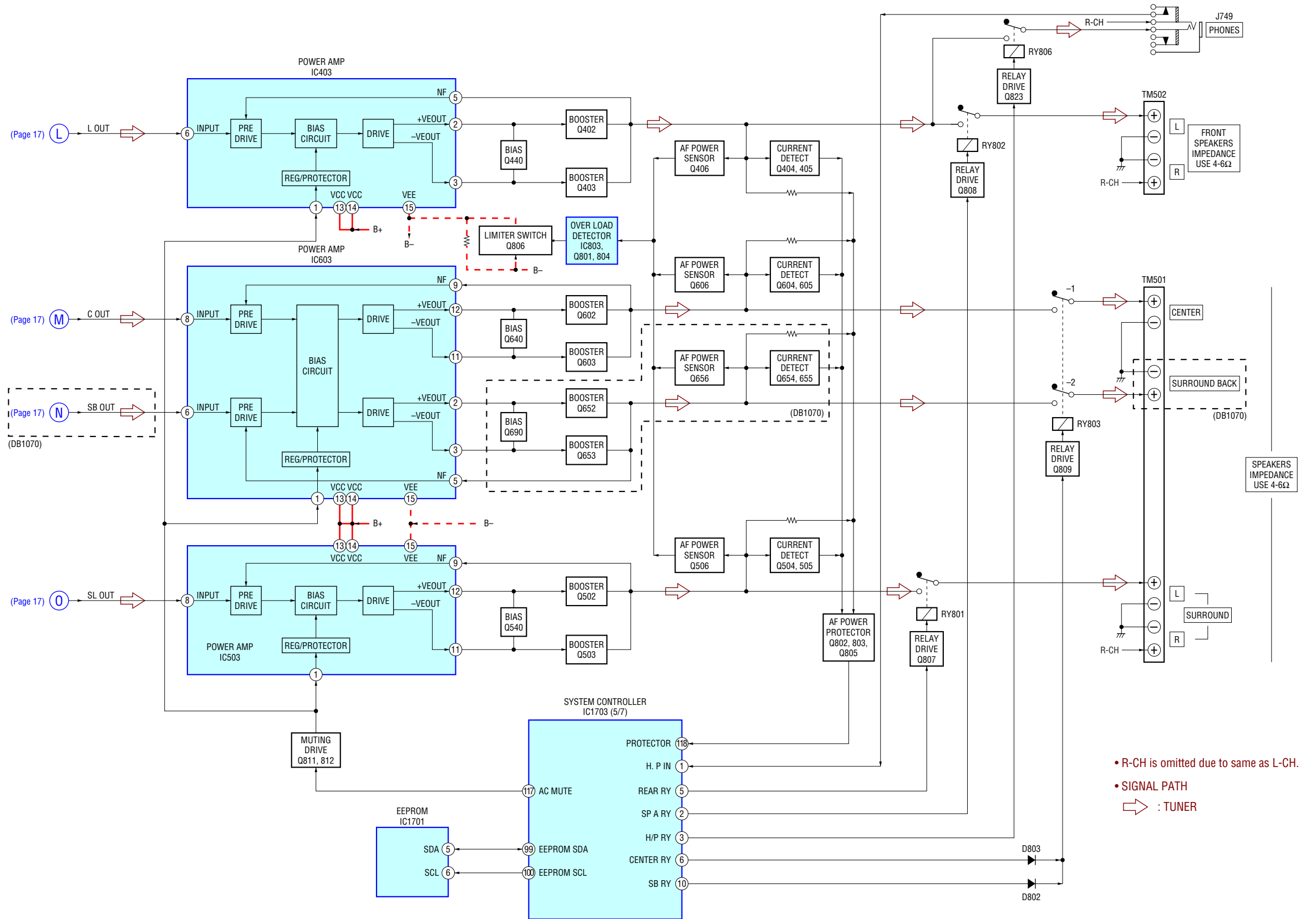
- R-CH is omitted due to same as L-CH.
- SIGNAL PATH
- : TUNER
- : AUDIO IN (ANALOG)
- : AUDIO IN (DIGITAL)

6-3. BLOCK DIAGRAM – AUDIO CONTROL Section –

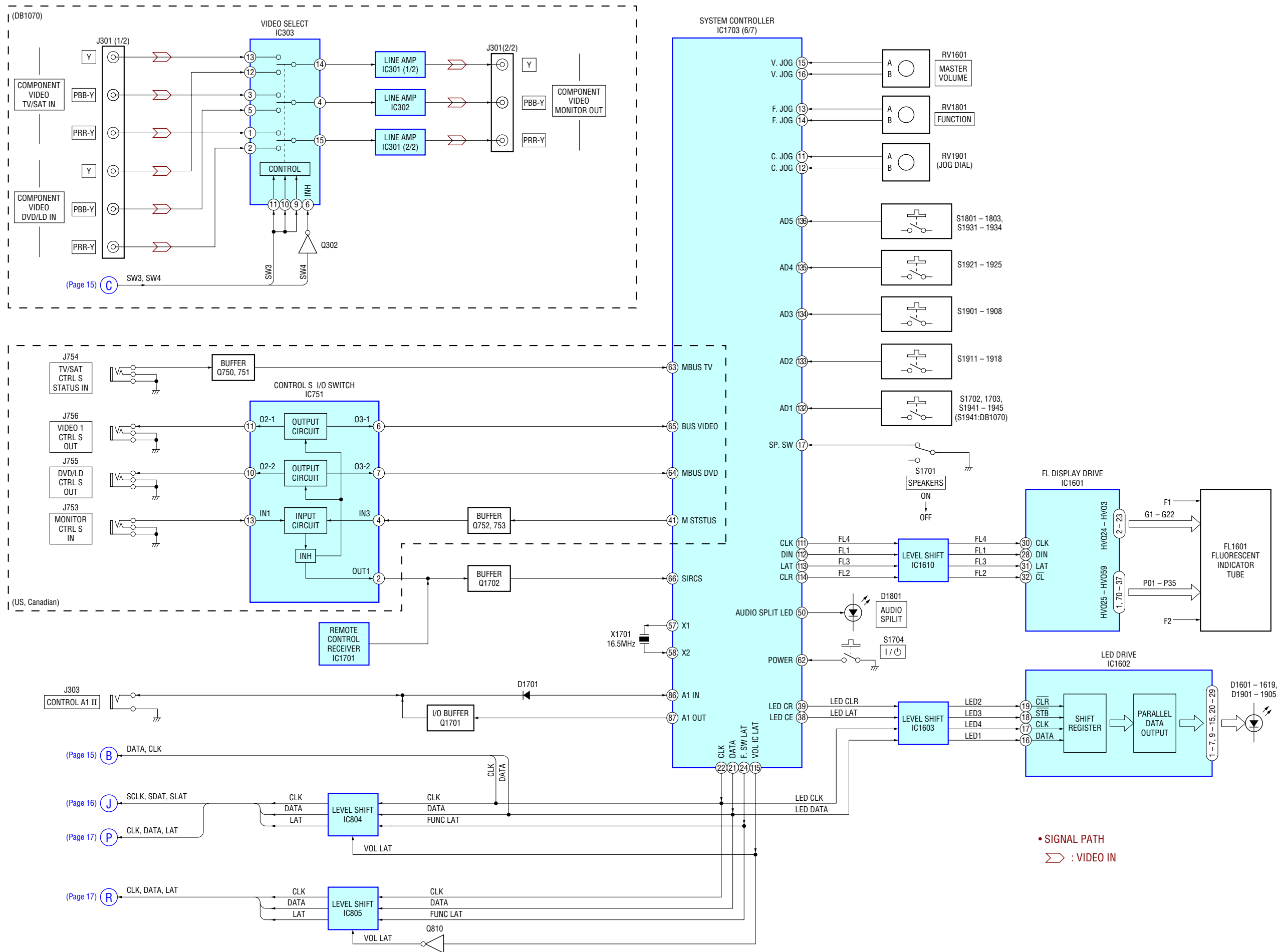


• R-CH is omitted due to same as L-CH.
 • SIGNAL PATH
 ⇨ : TUNER
 ⇨ : AUDIO IN (ANALOG)
 ⇨ : AUDUI IN (DIGITAL)

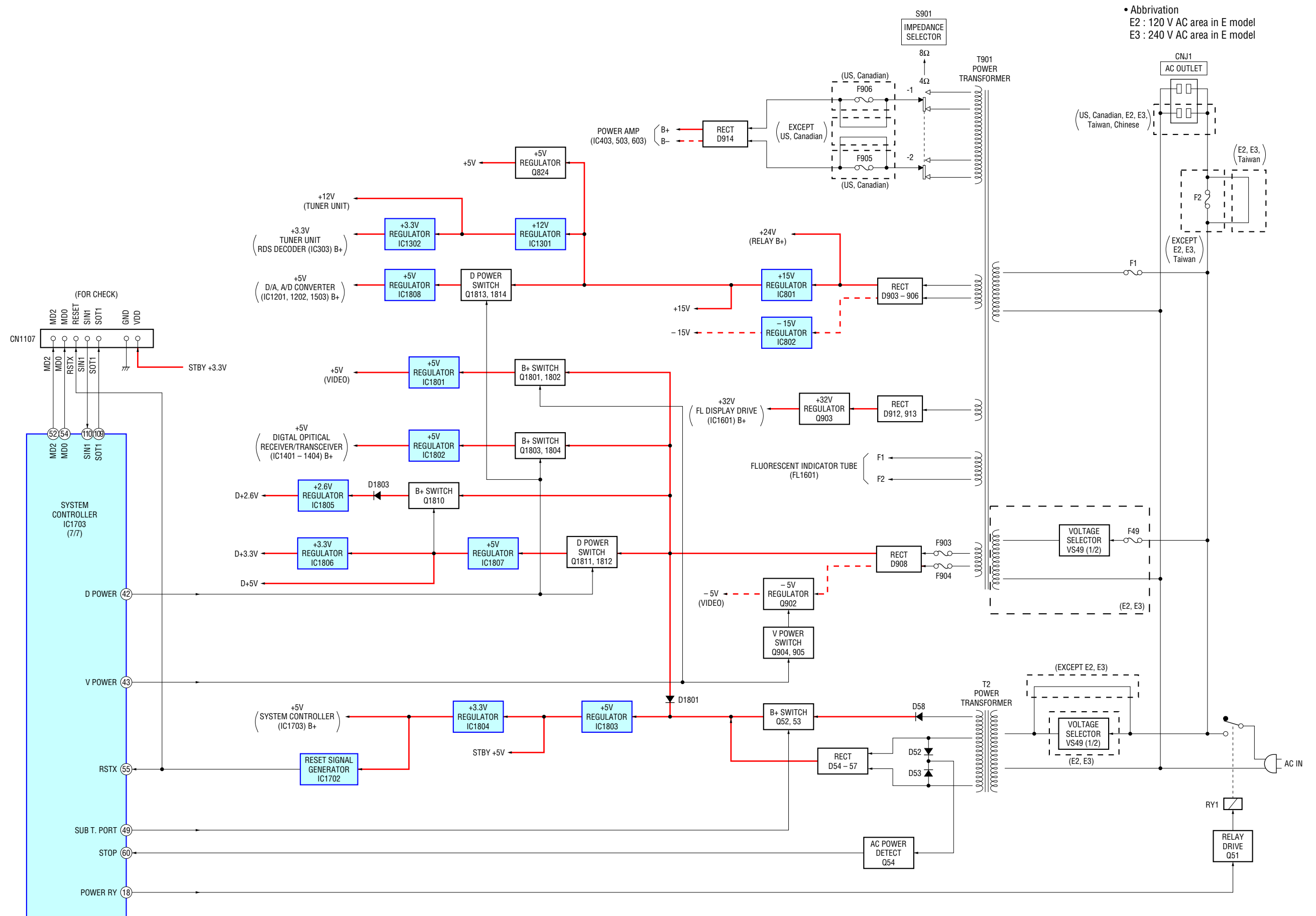
6-4. BLOCK DIAGRAM – POWER AMP Section –



6-5. BLOCK DIAGRAM - DISPLAY/KEY CONTROL Section -



6-6. BLOCK DIAGRAM – POWER SUPPLY Section –



- Abbreviation
- E2 : 120 V AC area in E model
- E3 : 240 V AC area in E model

6-7. NOTE FOR PRINTED WIRING BOARDS AND SCHEMATIC DIAGRAMS

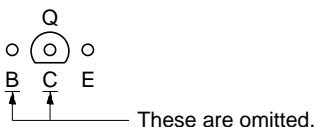
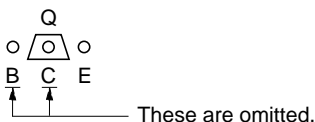
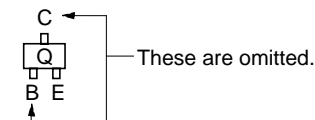
Note on Printed Wiring Board:

- — : parts extracted from the component side.
- : parts extracted from the conductor side.
- : Pattern from the side which enables seeing. (The other layers' patterns are not indicated.)

Caution:

Pattern face side: Parts on the pattern face side seen from (Conductor Side) the pattern face are indicated.
 Parts face side: Parts on the parts face side seen from (Component Side) the parts face are indicated.

- Indication of transistor



Note on Schematic Diagram:

- All capacitors are in μF unless otherwise noted. pF: μpF 50 WV or less are not indicated except for electrolytics and tantalums.
- All resistors are in Ω and $1/4\text{W}$ or less unless otherwise specified.
- Δ : internal component.
- : nonflammable resistor.
- : panel designation.

Note:

The components identified by mark Δ or dotted line with mark Δ are critical for safety. Replace only with part number specified.

Note:

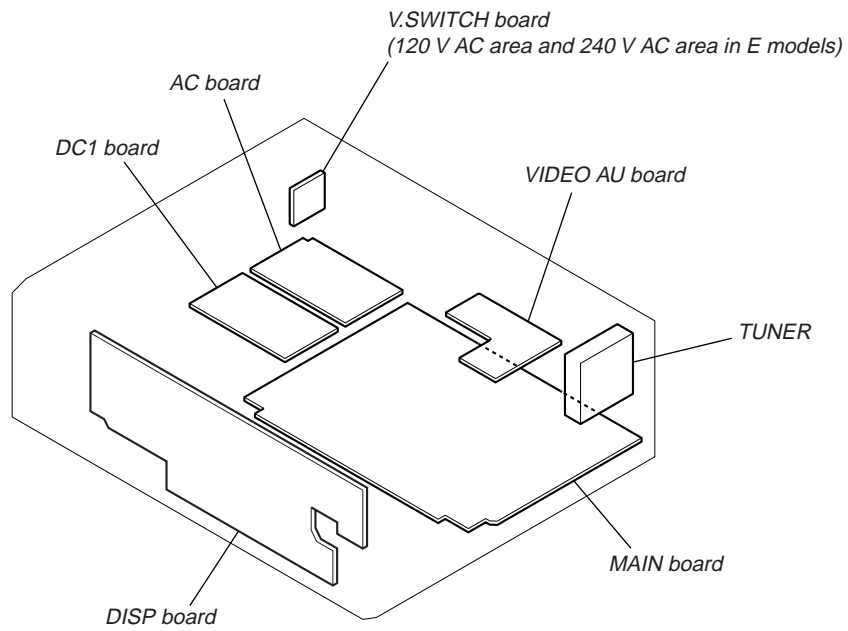
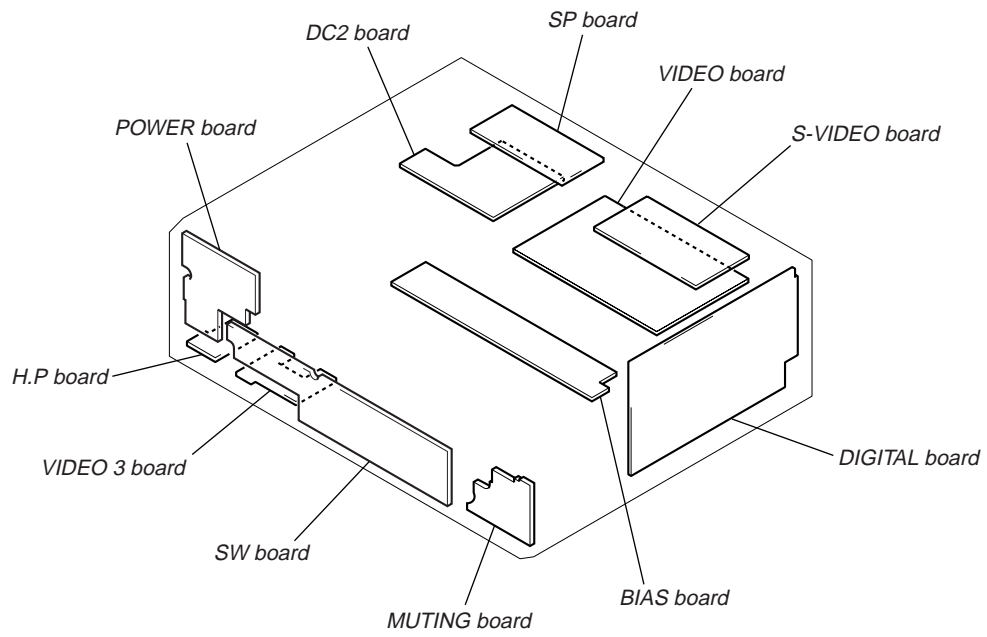
Les composants identifiés par une marque Δ sont critiques pour la sécurité. Ne les remplacer que par une pièce portant le numéro spécifié.

以阴影和 Δ 标志来识别的零部件在安全方面具有关键性。因此只能以规定号码的零部件来更换。

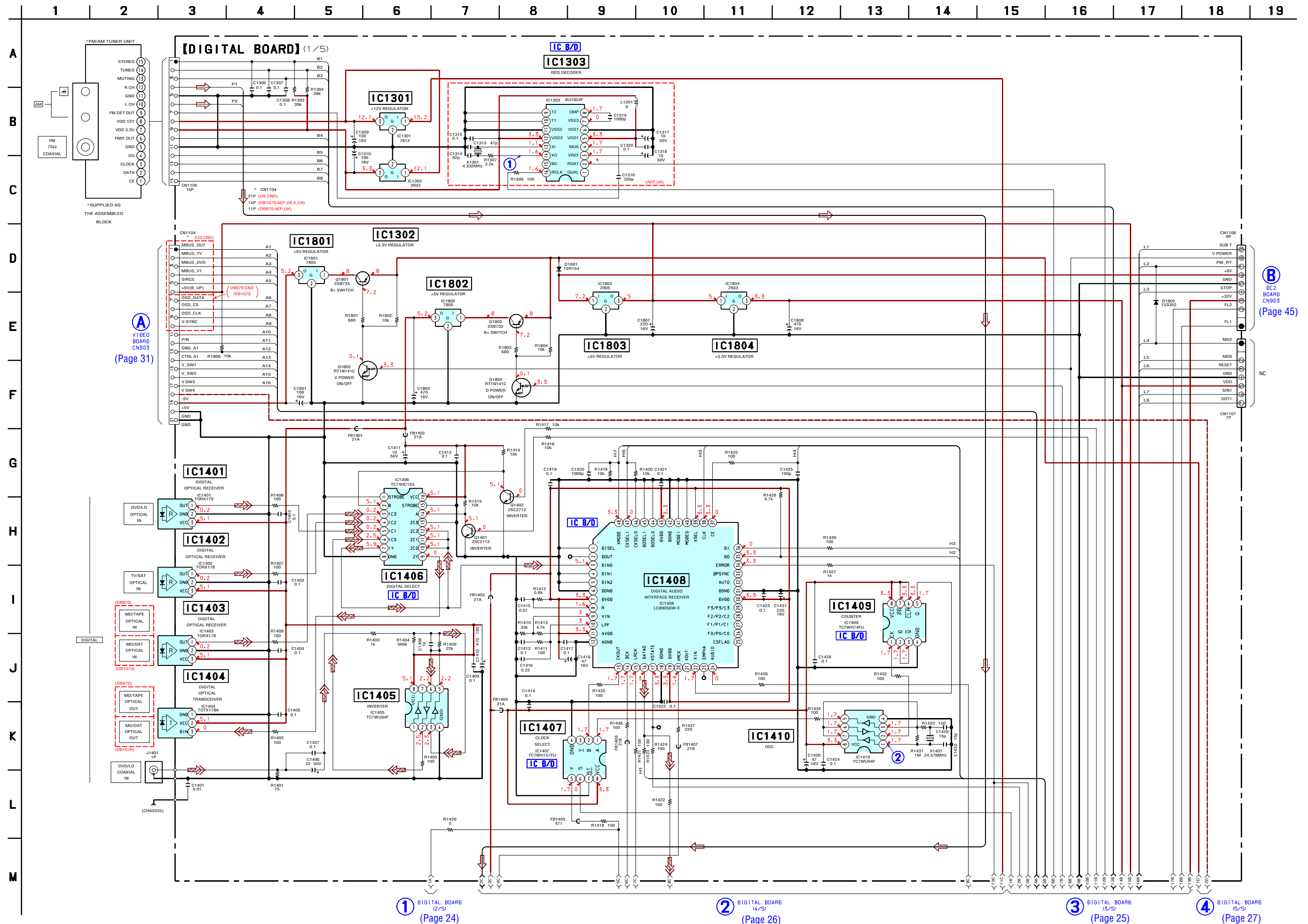
- : B+ Line.
- : B- Line.
- Voltages and waveforms are dc with respect to ground under no-signal (detuned) conditions.
no mark : TUNER
* : Impossible to measure
- Voltages are taken with a VOM (Input impedance 10 M Ω). Voltage variations may be noted due to normal production tolerances.
- Waveforms are taken with a oscilloscope. Voltage variations may be noted due to normal production tolerances.
- Circled numbers refer to waveforms.
- Signal path.
 : TUNER
 : AUDIO IN (ANALOG)
 : AUDIO IN (DIGITAL)
 : VIDEO IN
- Abbreviation
CH : Chinese model
CND : Canadian model
E2 : 120 V AC area in E model
E3 : 240 V AC area in E model
KR : Korean model
MY : Malaysia model
SP : Singapore model
TW : Taiwan model

STR-DB870/DB1070

• Circuit Boards Location



6-8. SCHEMATIC DIAGRAM – DIGITAL Board (1/5) – • See page 46 for Waveforms. • See page 46 for IC Block Diagrams.



(A) VIDEO BOARD CN303 (Page 31)

(B) BOARD CN903 (Page 45)

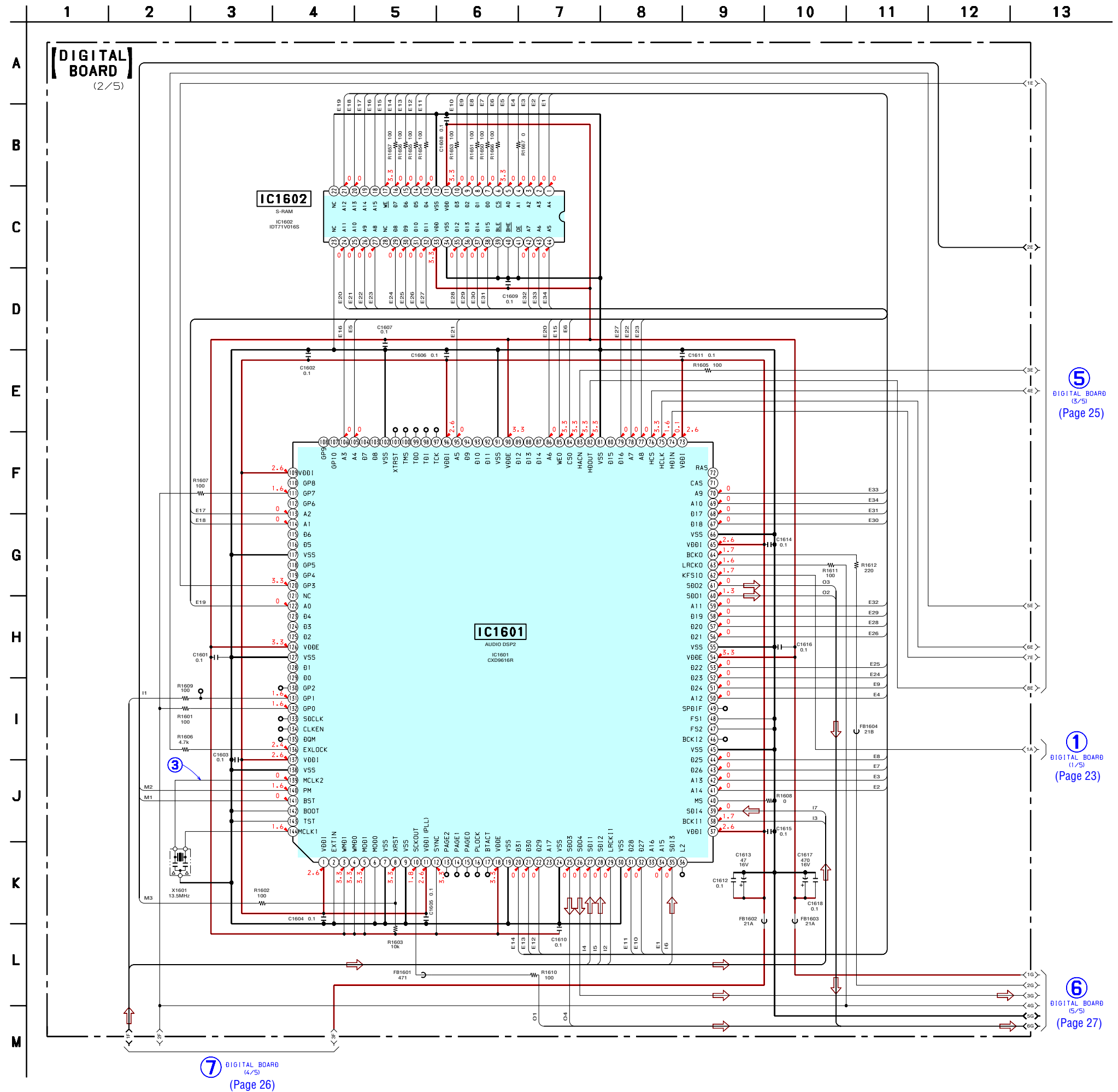
(1) DIGITAL BOARD (2/5) (Page 24)

(2) DIGITAL BOARD (4/5) (Page 26)

(3) DIGITAL BOARD (5/5) (Page 25)

(4) DIGITAL BOARD (5/5) (Page 27)

6-9. SCHEMATIC DIAGRAM – DIGITAL Board (2/5) – • See page 46 for Waveform.



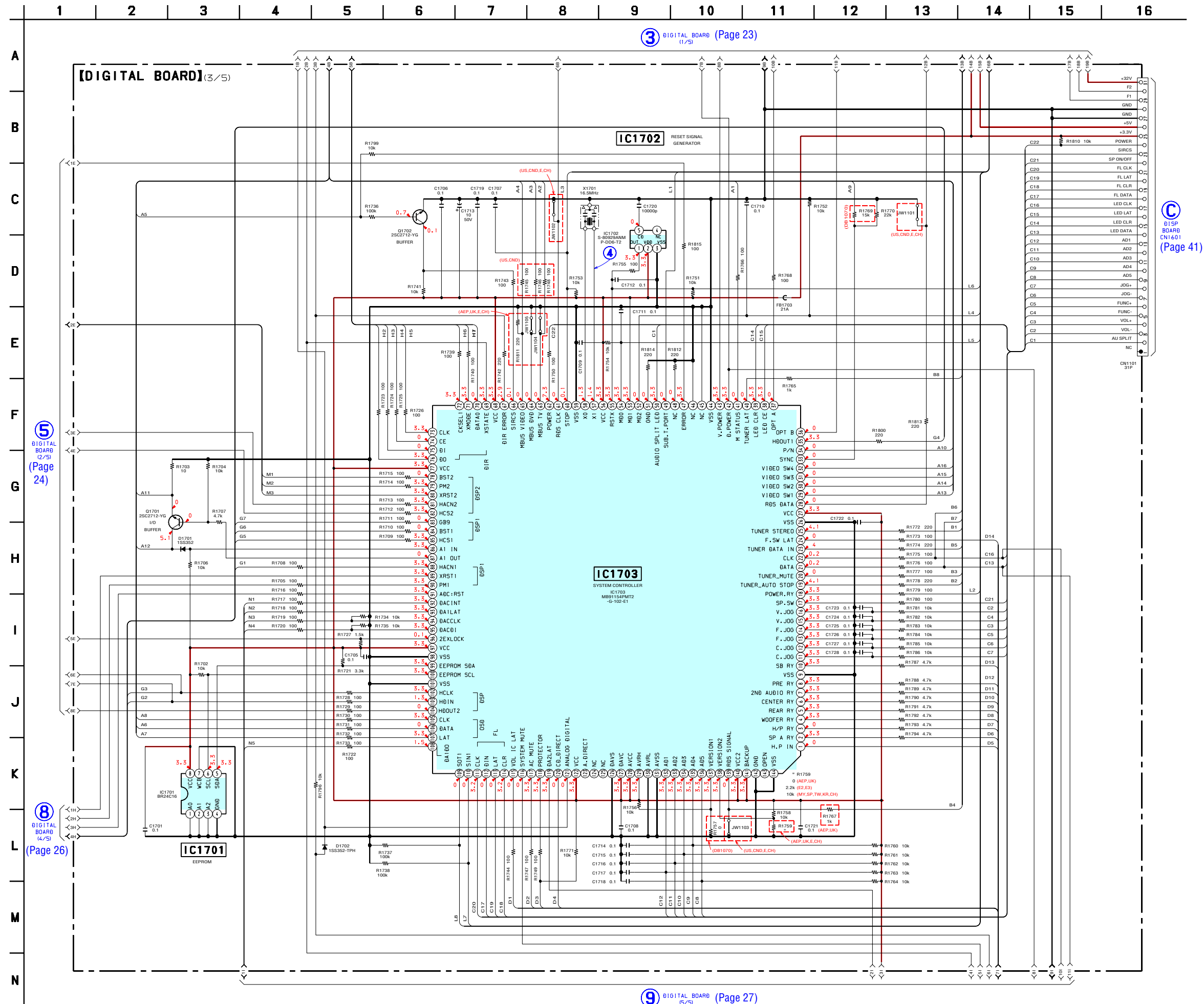
5 DIGITAL BOARD (3/5) (Page 25)

1 DIGITAL BOARD (1/5) (Page 23)

6 DIGITAL BOARD (5/5) (Page 27)

7 DIGITAL BOARD (4/5) (Page 26)

6-10. SCHEMATIC DIAGRAM – DIGITAL Board (3/5) – • See page 46 for Waveform.



3 DIGITAL BOARD (Page 23)

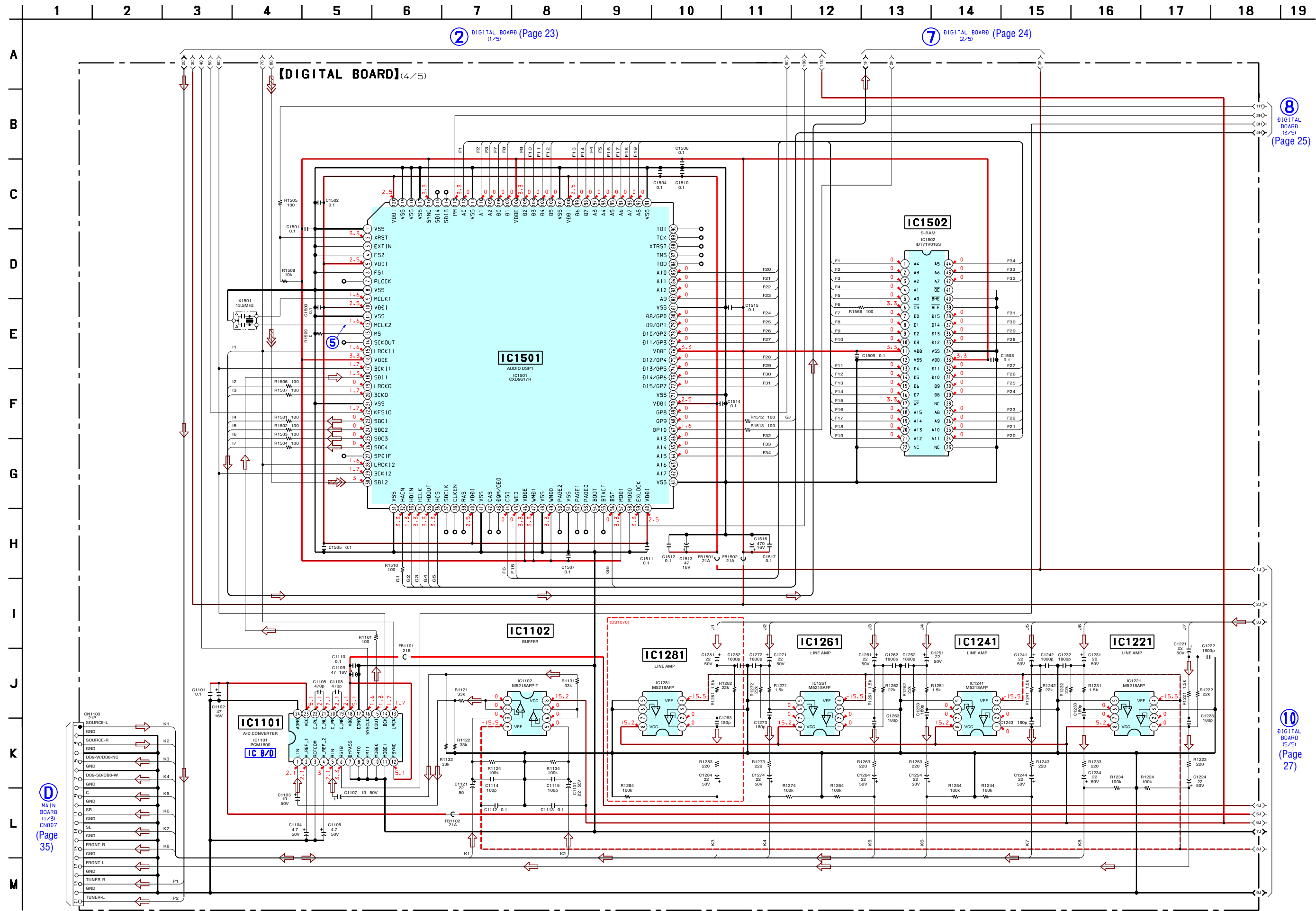
5 DIGITAL BOARD (2/5) (Page 24)

8 DIGITAL BOARD (4/5) (Page 26)

9 DIGITAL BOARD (5/5) (Page 27)

C DSP BOARD CN1601 (Page 41)

6-11. SCHEMATIC DIAGRAM – DIGITAL Board (4/5) – • See page 46 for Waveform. • See page 46 for IC Block Diagram.

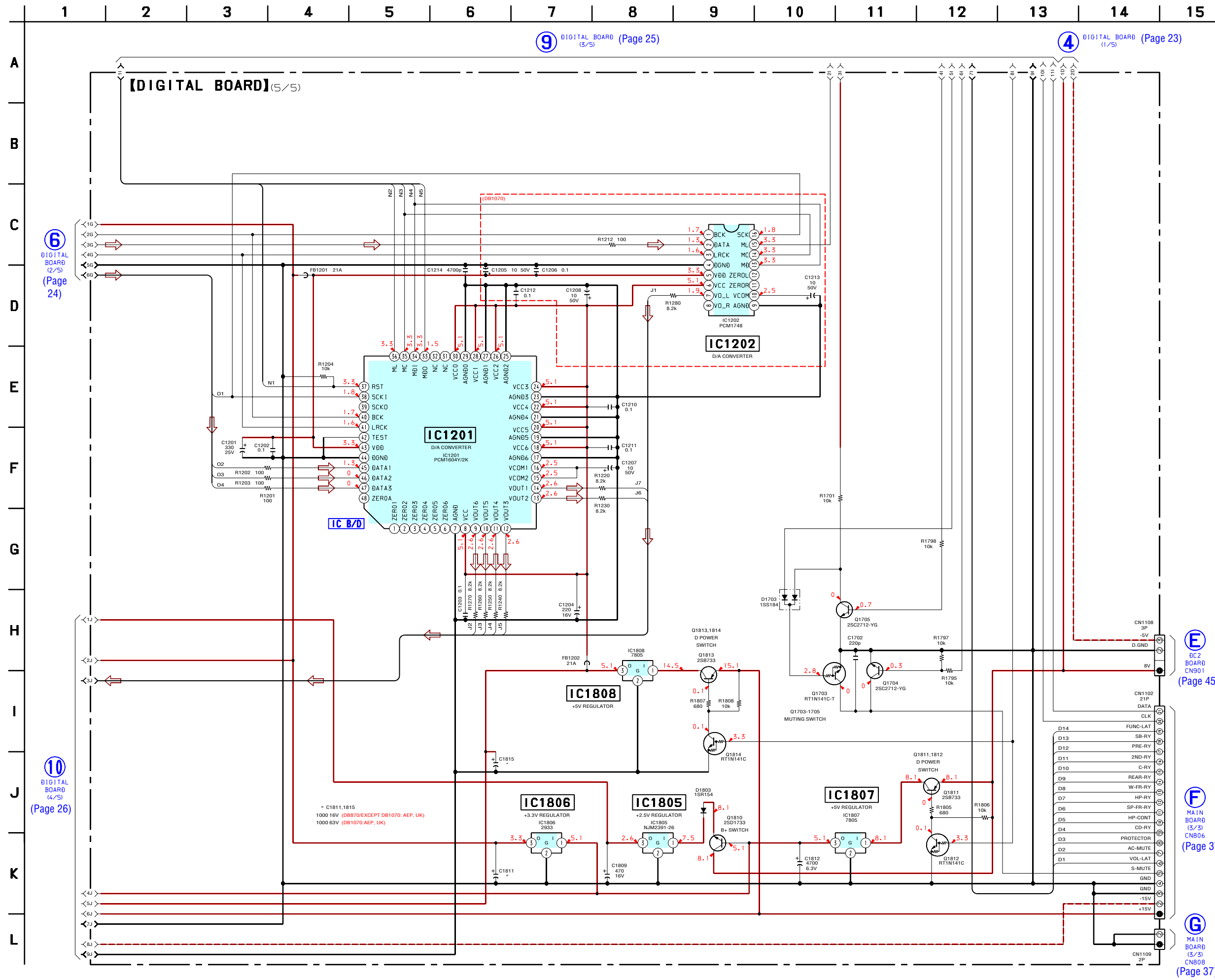


D MAIN BOARD (1/5) CN807 (Page 35)

8 DIGITAL BOARD (5/5) (Page 25)

10 DIGITAL BOARD (5/5) (Page 27)

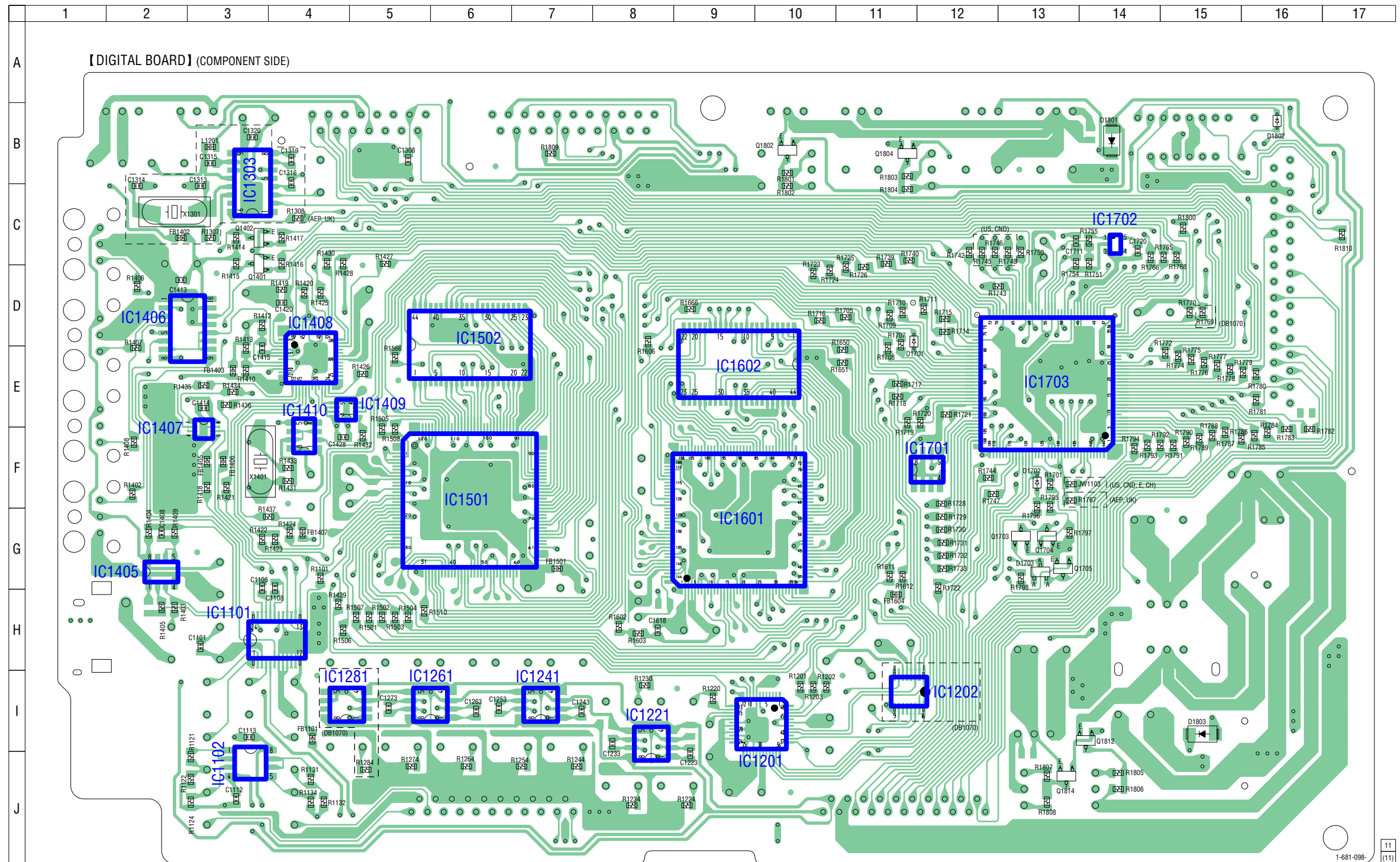
6-12. SCHEMATIC DIAGRAM – DIGITAL Board (5/5) – • See page 46 for IC Block Diagrams.



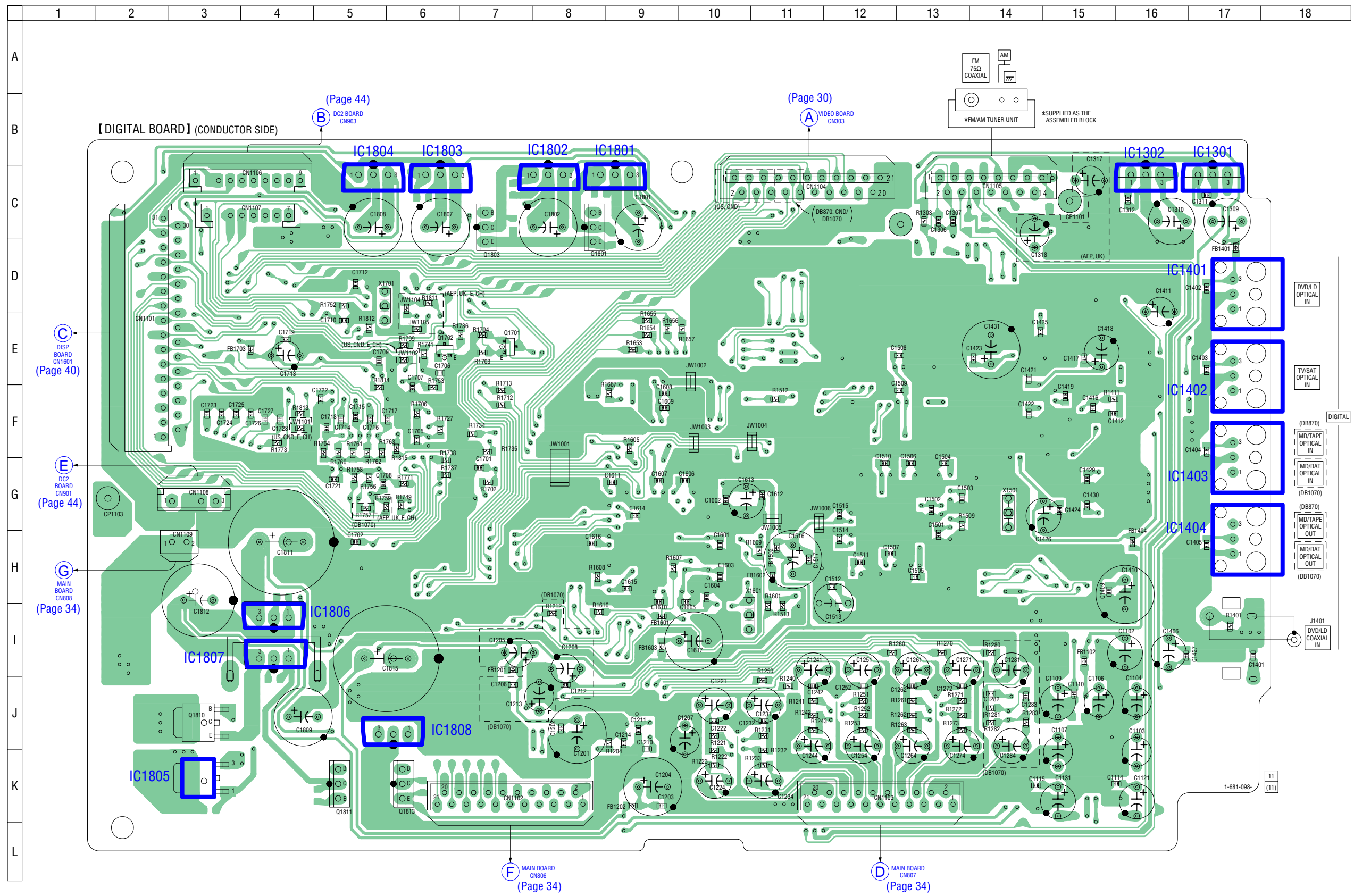
6-13. PRINTED WIRING BOARD – DIGITAL Board (Component Side) – • See page 22 for Circuit Boards Location.

• Semiconductor Location

Ref. No.	Location
D1701	D-11
D1702	F-13
D1703	G-13
D1801	B-14
D1802	B-16
D1803	I-15
IC1101	H-4
IC1102	J-3
IC1201	I-10
IC1202	I-11
IC1221	I-8
IC1241	I-7
IC1261	I-5
IC1281	I-4
IC1303	B-3
IC1405	G-2
IC1406	D-2
IC1407	F-3
IC1408	E-4
IC1409	E-4
IC1410	F-4
IC1501	F-6
IC1502	D-6
IC1601	G-9
IC1602	E-9
IC1701	F-12
IC1702	C-14
IC1703	E-13
Q1401	C-3
Q1402	C-3
Q1703	G-13
Q1704	G-13
Q1705	G-13
Q1802	B-10
Q1804	B-11
Q1812	I-14
Q1814	J-13



6-14. PRINTED WIRING BOARD – DIGITAL Board (Conductor Side) – • See page 22 for Circuit Boards Location.



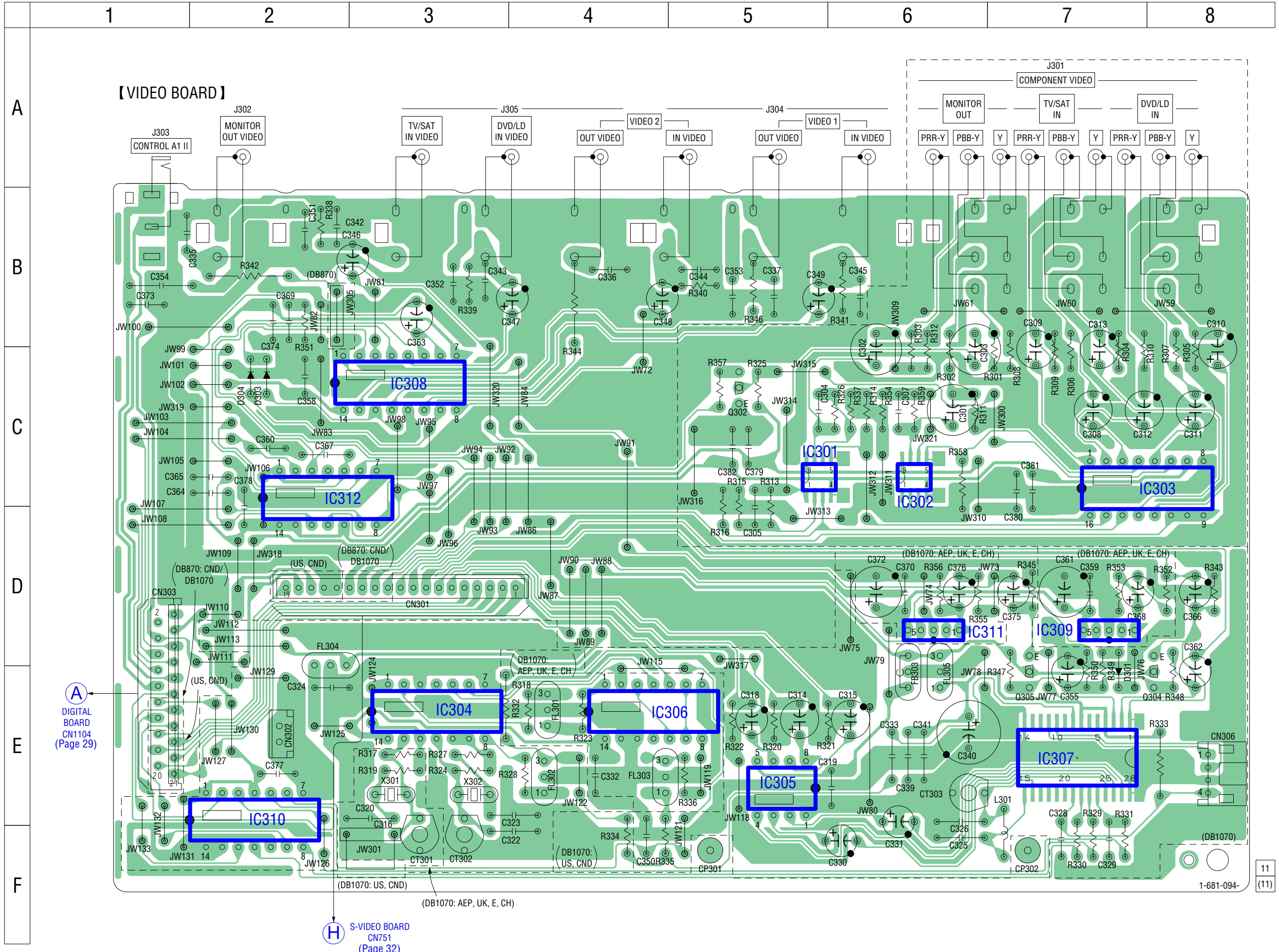
• Semiconductor Location

Ref. No.	Location
IC1301	C-17
IC1302	C-16
IC1401	D-17
IC1402	E-17
IC1403	G-17
IC1404	H-17
IC1801	C-9
IC1802	C-8
IC1803	C-6
IC1804	C-5
IC1805	K-3
IC1806	I-4
IC1807	I-4
IC1808	J-6
Q1701	E-7
Q1702	E-6
Q1801	C-8
Q1803	C-7
Q1810	J-3
Q1811	K-5
Q1813	K-6

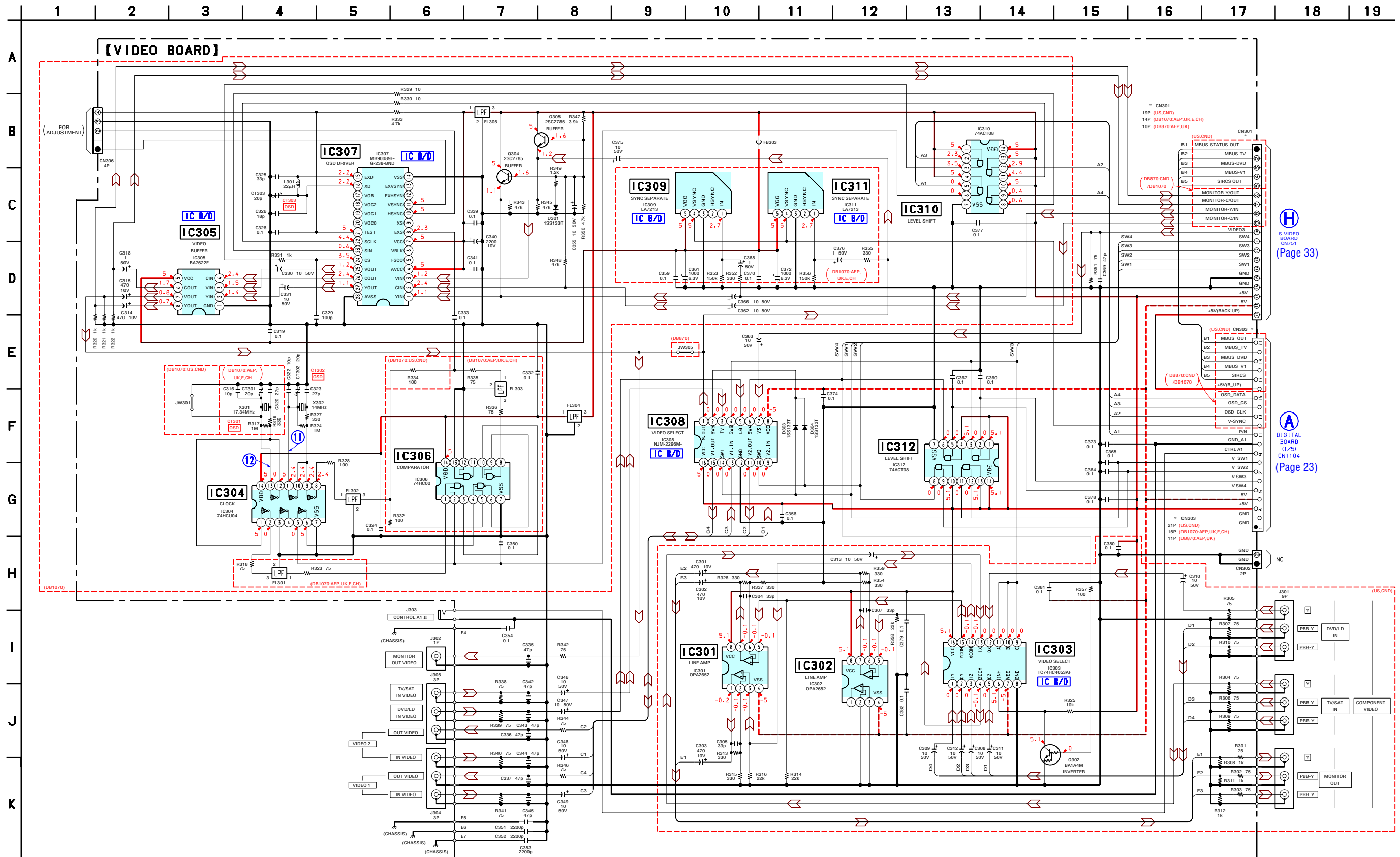
6-15. PRINTED WIRING BOARD – VIDEO Board – • See page 22 for Circuit Boards Location.

• Semiconductor Location

Ref. No.	Location
D301	E-7
D303	C-2
D304	C-2
IC301	C-5
IC302	C-6
IC303	C-7
IC304	E-3
IC305	E-5
IC306	E-4
IC307	E-7
IC308	C-3
IC309	D-7
IC310	E-2
IC311	D-6
IC312	C-2
Q302	C-5
Q304	E-8
Q305	E-7



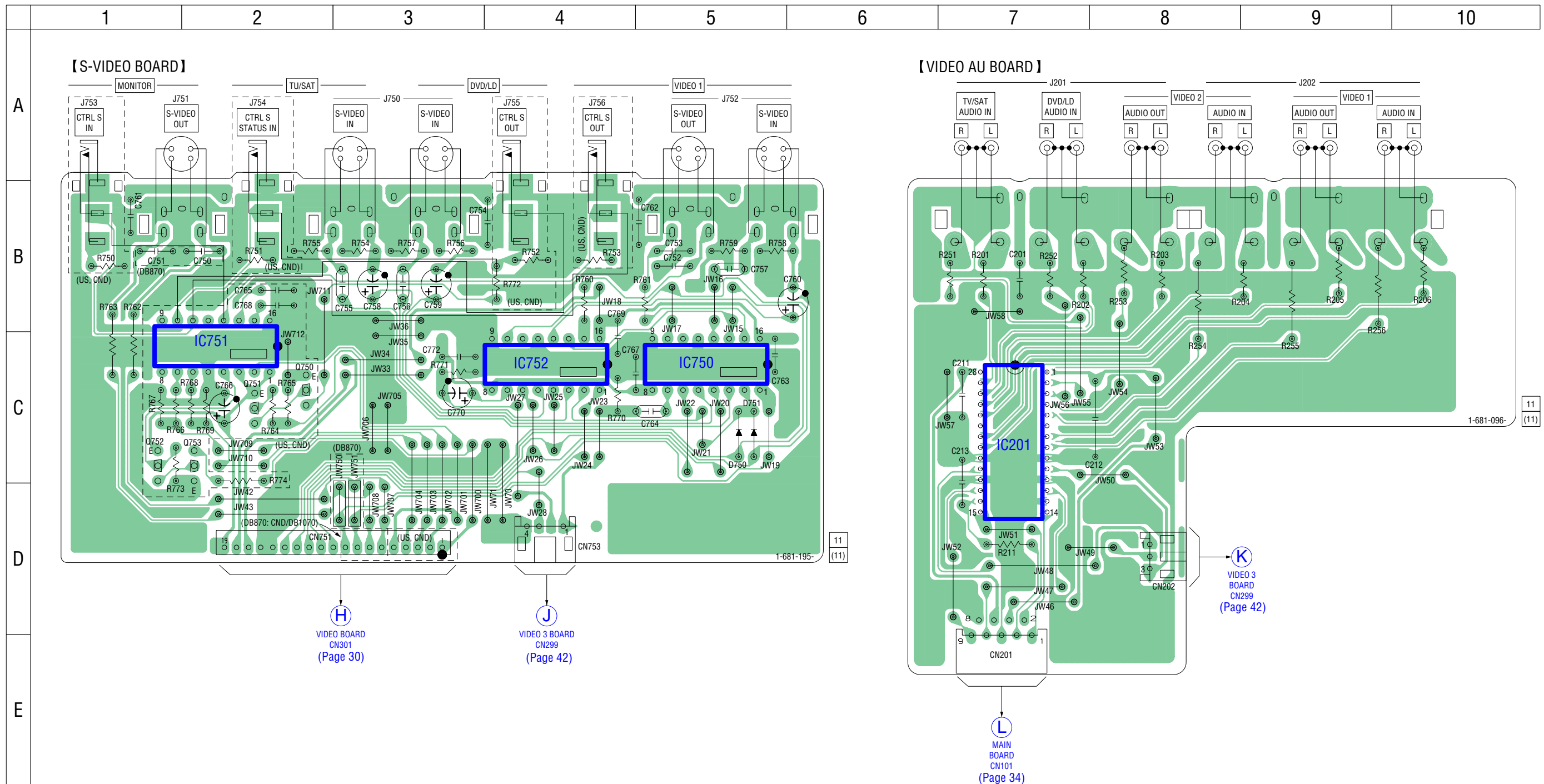
6-16. SCHEMATIC DIAGRAM – VIDEO Board – • See page 46 for Waveforms. • See page 46 for IC Block Diagrams.



(H) S-VIDEO BOARD (CN301) (Page 33)

(A) DIGITAL BOARD (CN104) (Page 23)

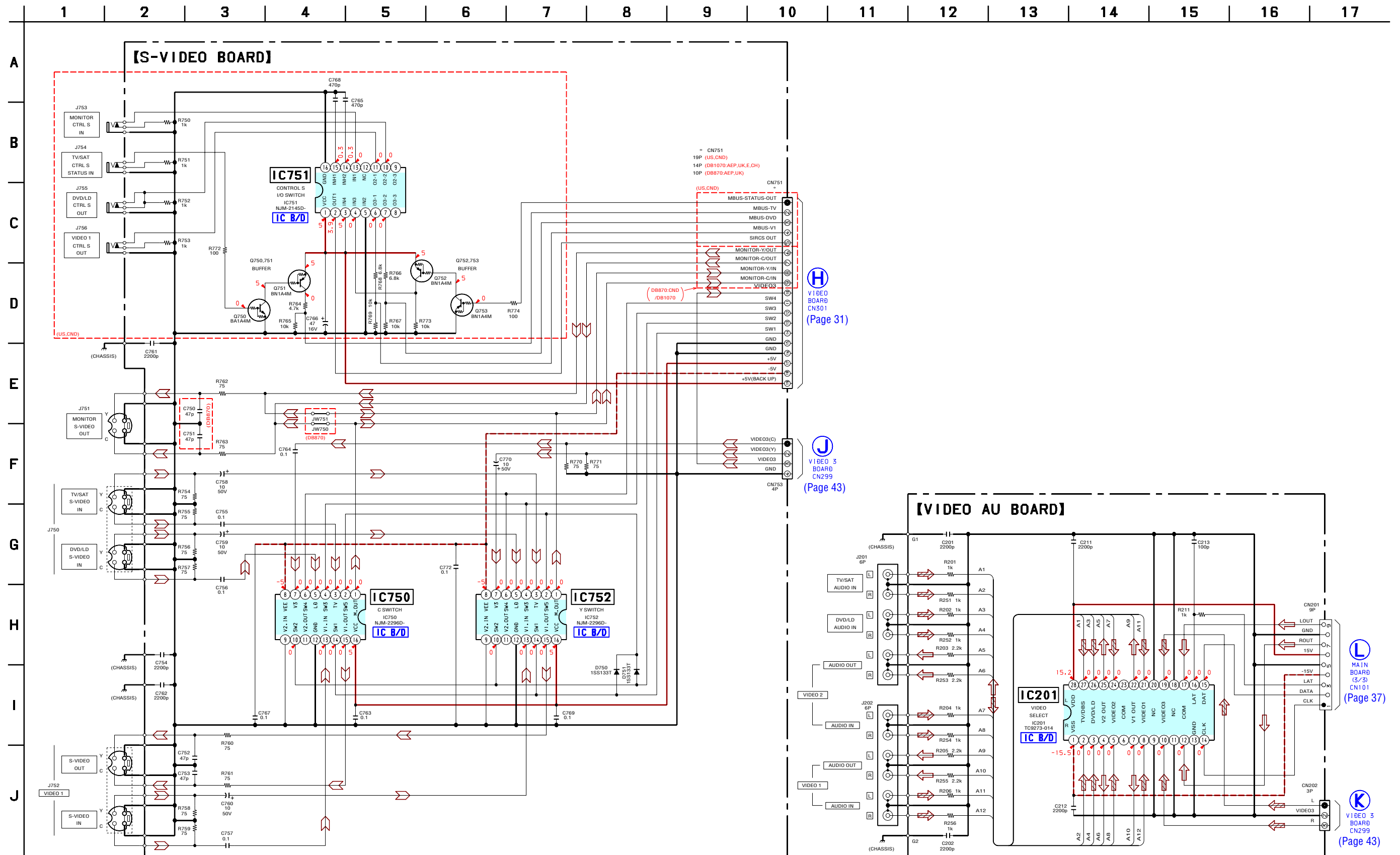
6-17. PRINTED WIRING BOARDS – S-VIDEO/VIDEO AU Boards – • See page 22 for Circuit Boards Location.



• Semiconductor Location

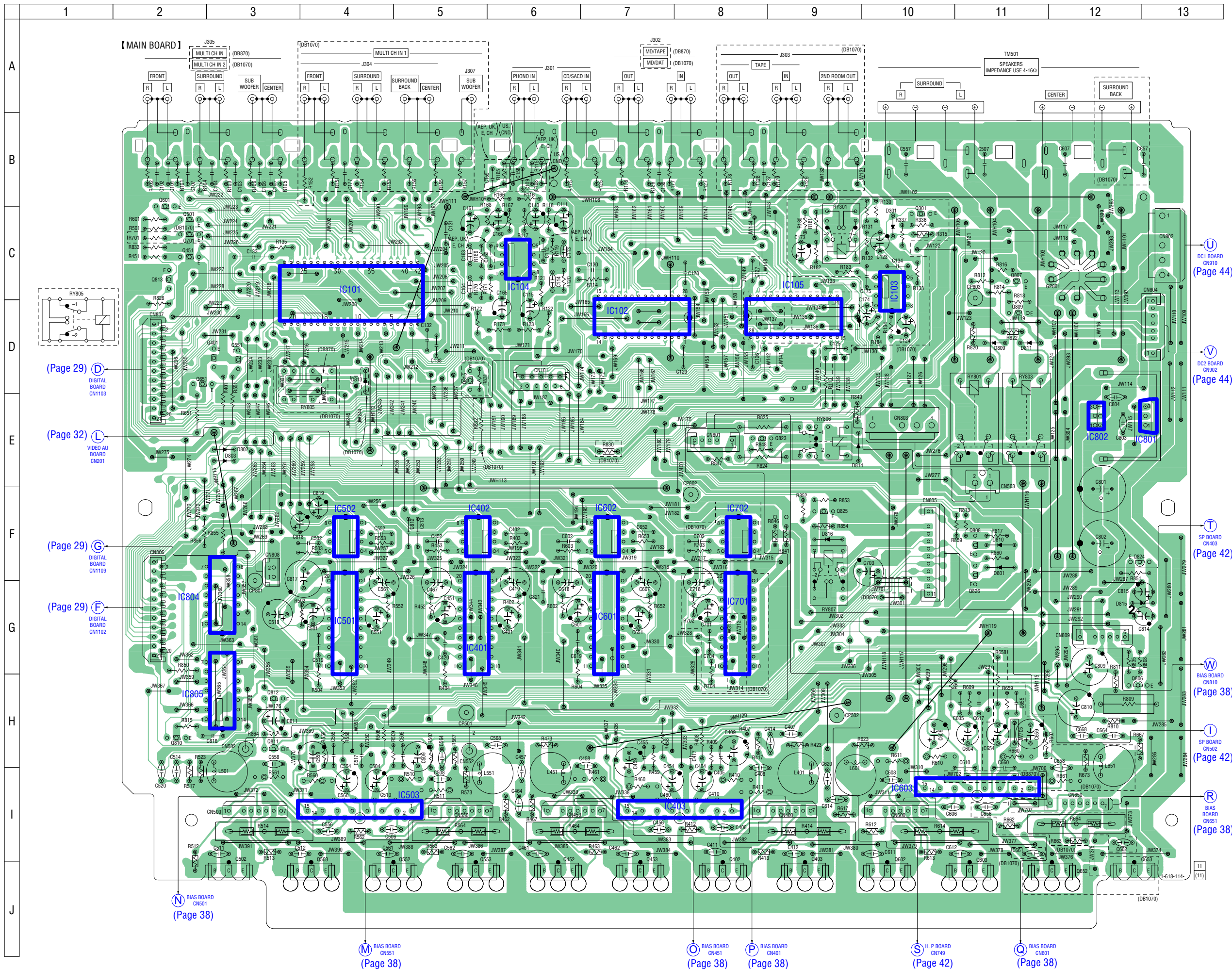
Ref. No.	Location
D750	C-5
D751	C-5
IC201	C-7
IC750	C-5
IC751	C-2
IC752	C-4
Q750	C-2
Q751	C-2
Q752	C-1
Q753	C-2

6-18. SCHEMATIC DIAGRAM – S-VIDEO/VIDEO AU Boards – • See page 46 for IC Block Diagrams.

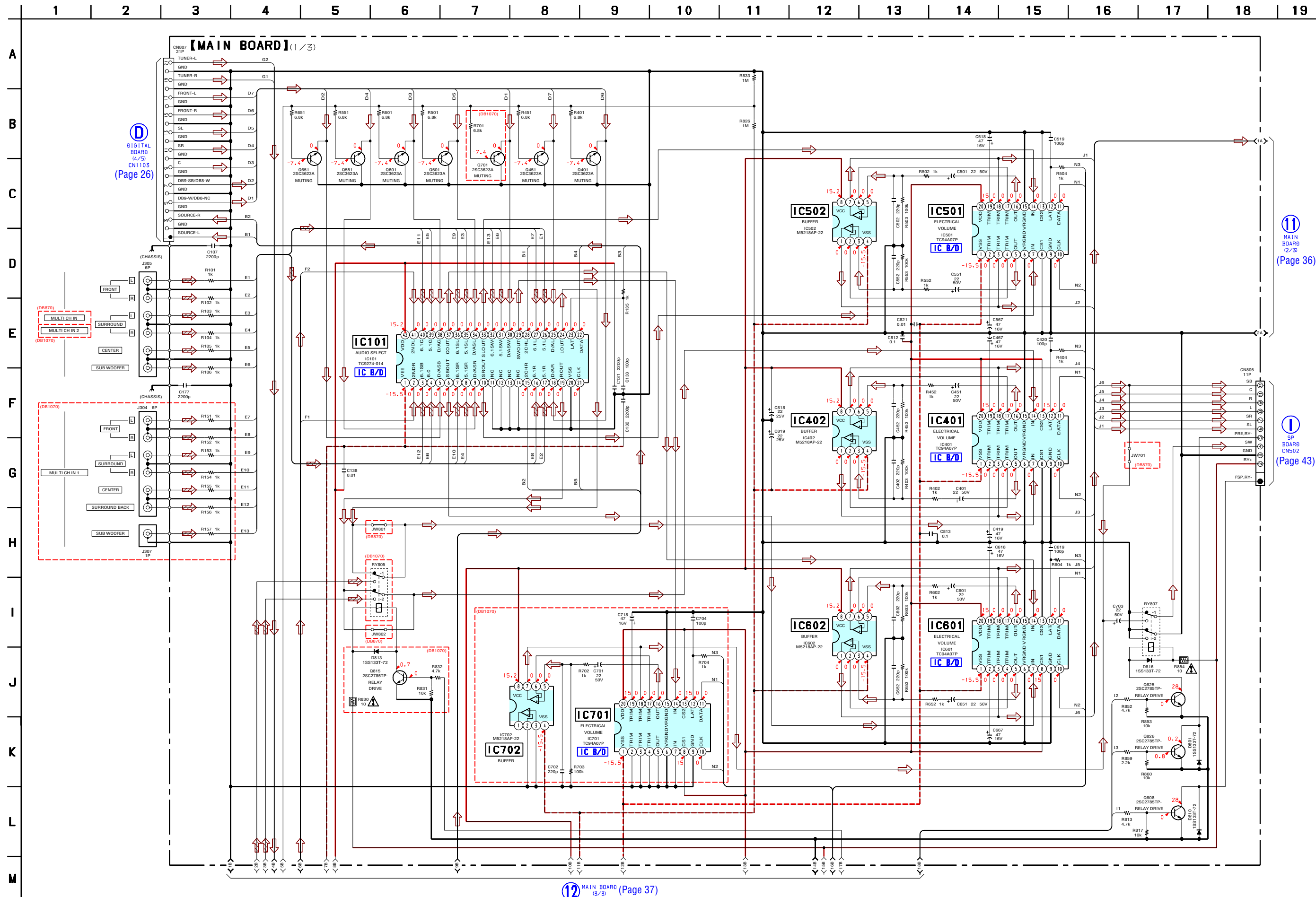


• Semiconductor Location

Ref. No.	Location
D301	C-10
D801	F-11
D802	E-3
D803	E-3
D809	D-11
D810	F-11
D811	D-11
D813	D-4
D814	E-9
D815	G-12
D816	F-9
IC101	C-4
IC102	D-7
IC103	C-10
IC104	C-6
IC105	D-9
IC401	G-5
IC402	F-5
IC403	I-7
IC501	G-4
IC502	F-4
IC503	I-4
IC601	G-7
IC602	F-7
IC603	I-11
IC701	G-8
IC702	F-8
IC801	E-13
IC802	E-12
IC804	G-3
IC805	H-3
Q301	C-10
Q401	D-3
Q402	J-8
Q403	J-9
Q451	C-2
Q452	J-6
Q453	J-7
Q501	C-2
Q502	J-3
Q503	J-4
Q551	D-3
Q552	J-4
Q553	J-5
Q601	B-2
Q602	J-10
Q603	J-11
Q651	D-2
Q652	J-12
Q653	J-12
Q701	C-2
Q806	H-12
Q807	C-11
Q808	F-11
Q809	D-11
Q810	H-2
Q811	H-3
Q812	H-3
Q813	C-2
Q815	D-5
Q823	E-8
Q824	F-12
Q825	F-9
Q826	F-11



6-20. SCHEMATIC DIAGRAM – MAIN Board (1/3) – • See page 46 for IC Block Diagrams.



DIGITAL BOARD (4/5) CN1103 (Page 26)

MAIN BOARD (2/3) (Page 36)

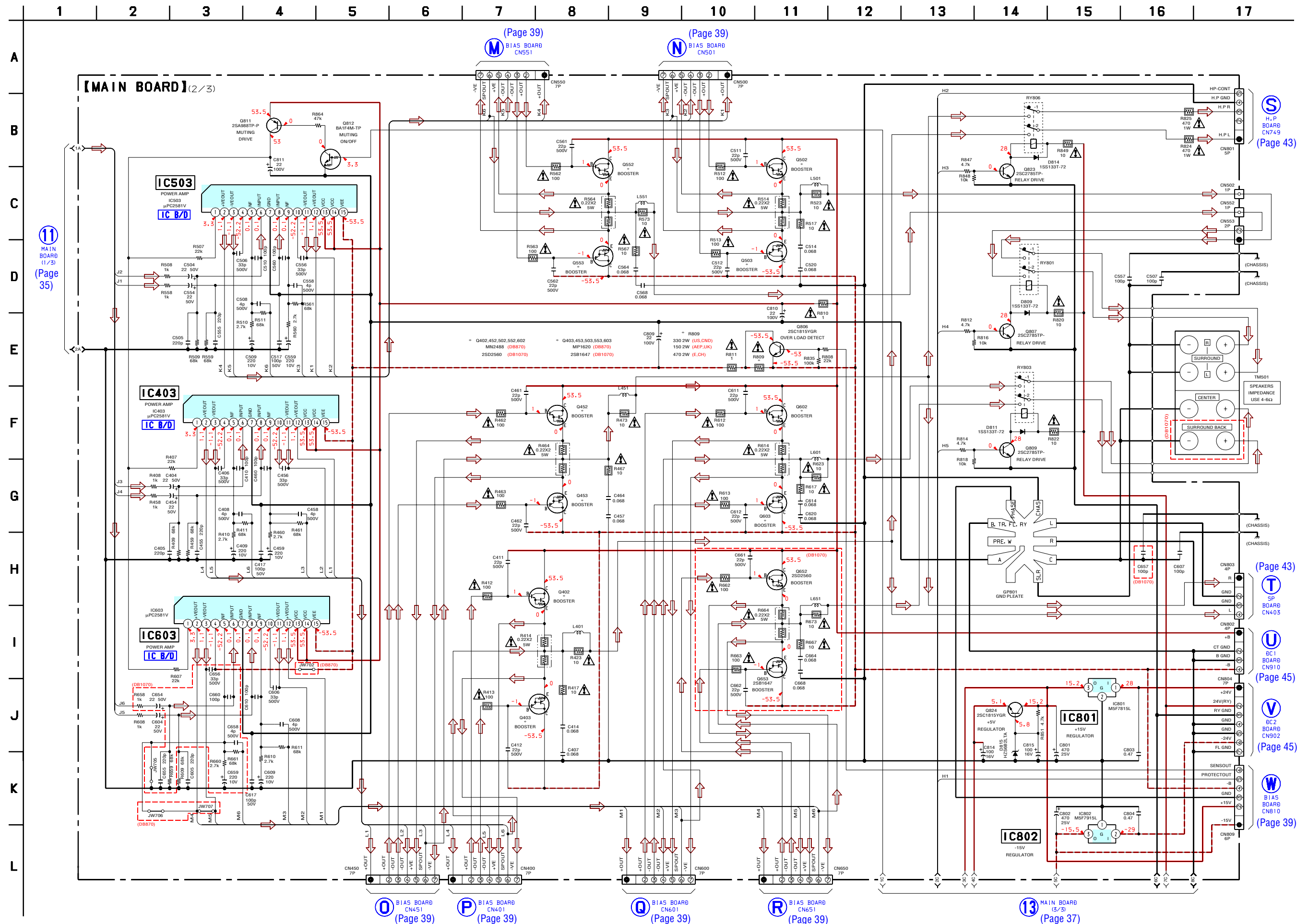
SP BOARD CN502 (Page 43)

12 MAIN BOARD (3/3) (Page 37)

以阴影和△标志来识别的零部件在安全方面具有关键性。因此只能以规定号码的零部件来更换。

The components identified by mark △ or dotted line with mark △ are critical for safety. Replace only with part number specified.

Les composants identifiés par une marque △ sont critiques pour la sécurité. Ne les remplacer que par une pièce portant le numéro spécifié.

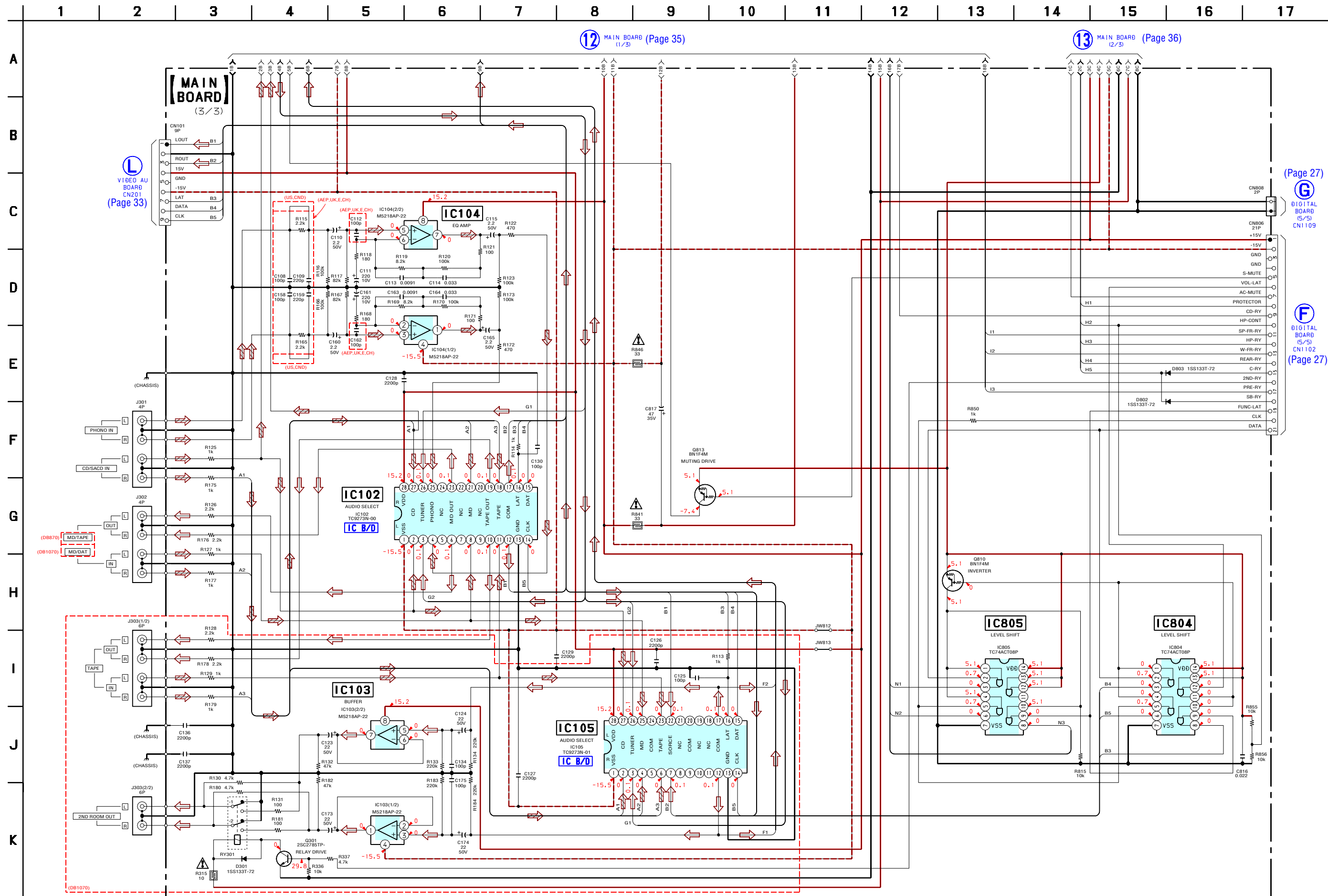


以阴影和△标志来识别的零部件在安全方面具有关键性。因此只能以规定号码的零部件来更换。

The components identified by mark △ or dotted line with mark △ are critical for safety. Replace only with part number specified.

Les composants identifiés par une marque △ sont critiques pour la sécurité. Ne les remplacer que par une pièce portant le numéro spécifié.

6-22. SCHEMATIC DIAGRAM – MAIN Board (3/3) – • See page 46 for IC Block Diagrams.

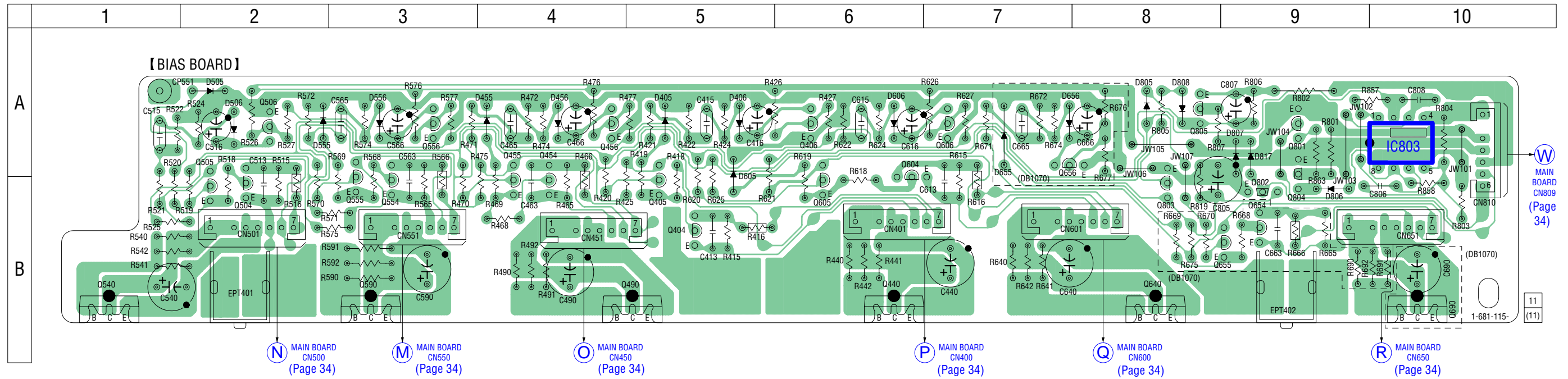


以阴影和△标志来识别的零部件在安全方面具有关键性。因此只能以规定号码的零部件来更换。

The components identified by mark △ or dotted line with mark △ are critical for safety. Replace only with part number specified.

Les composants identifiés par une marque △ sont critiques pour la sécurité. Ne les remplacer que par une pièce portant le numéro spécifié.

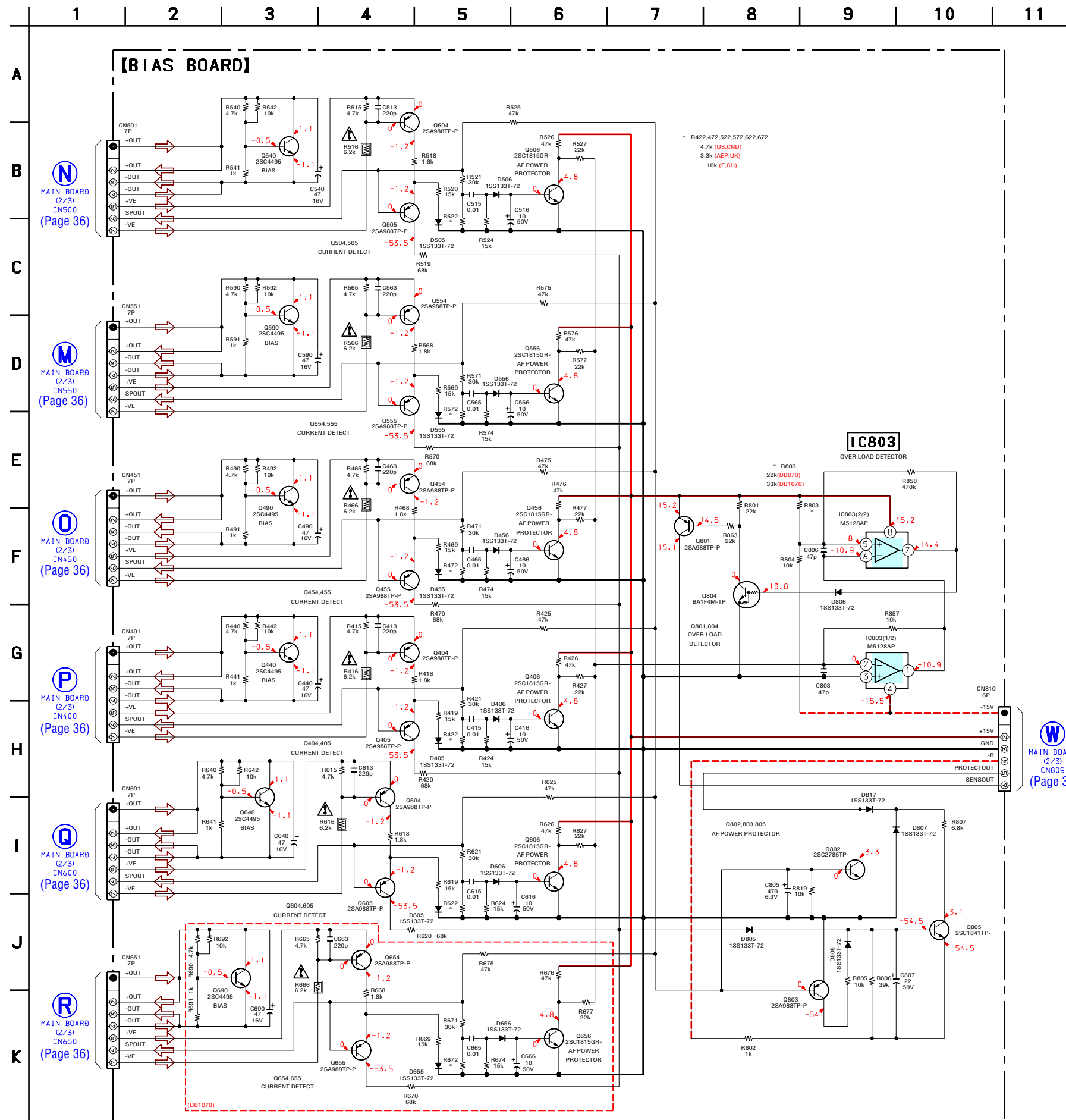
6-23. PRINTED WIRING BOARD – BIAS Board – • See page 22 for Circuit Boards Location.



• Semiconductor Location

Ref. No.	Location	Ref. No.	Location
D405	A-5	Q455	B-4
D406	A-5	Q456	A-4
D455	A-4	Q490	B-5
D456	A-4	Q504	B-2
D505	A-2	Q505	B-2
D506	A-2	Q506	A-2
D555	A-2	Q540	B-1
D556	A-3	Q554	B-3
D605	A-5	Q555	B-3
D606	A-6	Q556	A-3
D655	A-7	Q590	B-3
D656	A-7	Q604	A-6
D805	A-8	Q605	B-6
D806	B-9	Q606	A-7
D807	A-9	Q640	B-8
D808	A-8	Q654	B-9
D817	A-9	Q655	B-9
		Q656	A-7
IC803	A-10	Q690	B-10
		Q801	A-9
Q404	B-5	Q802	B-9
Q405	B-5	Q803	B-8
Q406	A-6	Q804	A-9
Q440	B-6	Q805	A-8
Q454	B-4		

6-24. SCHEMATIC DIAGRAM – BIAS Board –

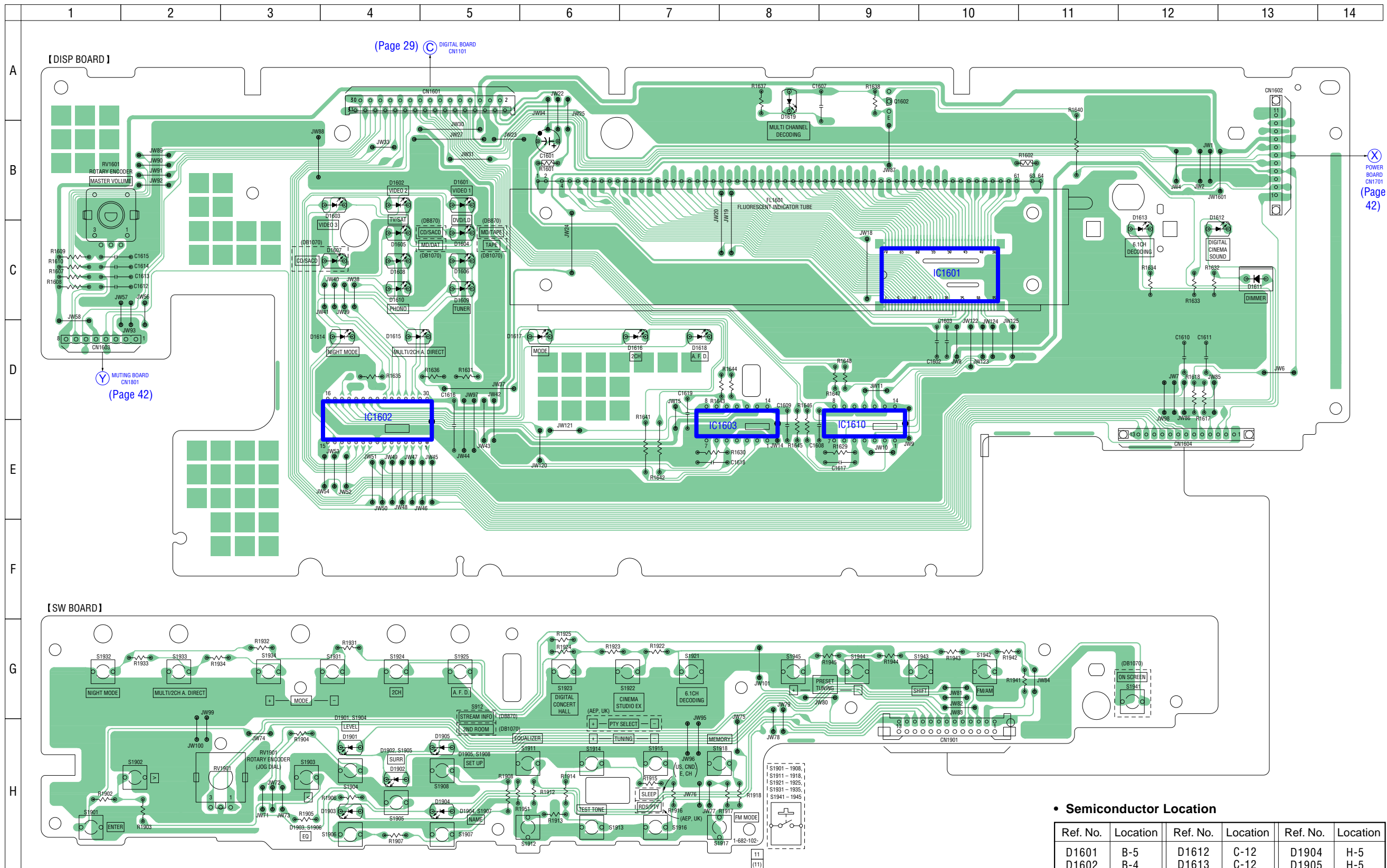


The components identified by mark Δ or dotted line with mark Δ are critical for safety. Replace only with part number specified.

Les composants identifiés par une marque Δ sont critiques pour la sécurité. Ne les remplacer que par une pièce portant le numéro spécifié.

以阴影和 Δ 标志来识别的零部件在安全方面具有关键性。因此只能以规定号码的零部件来更换。

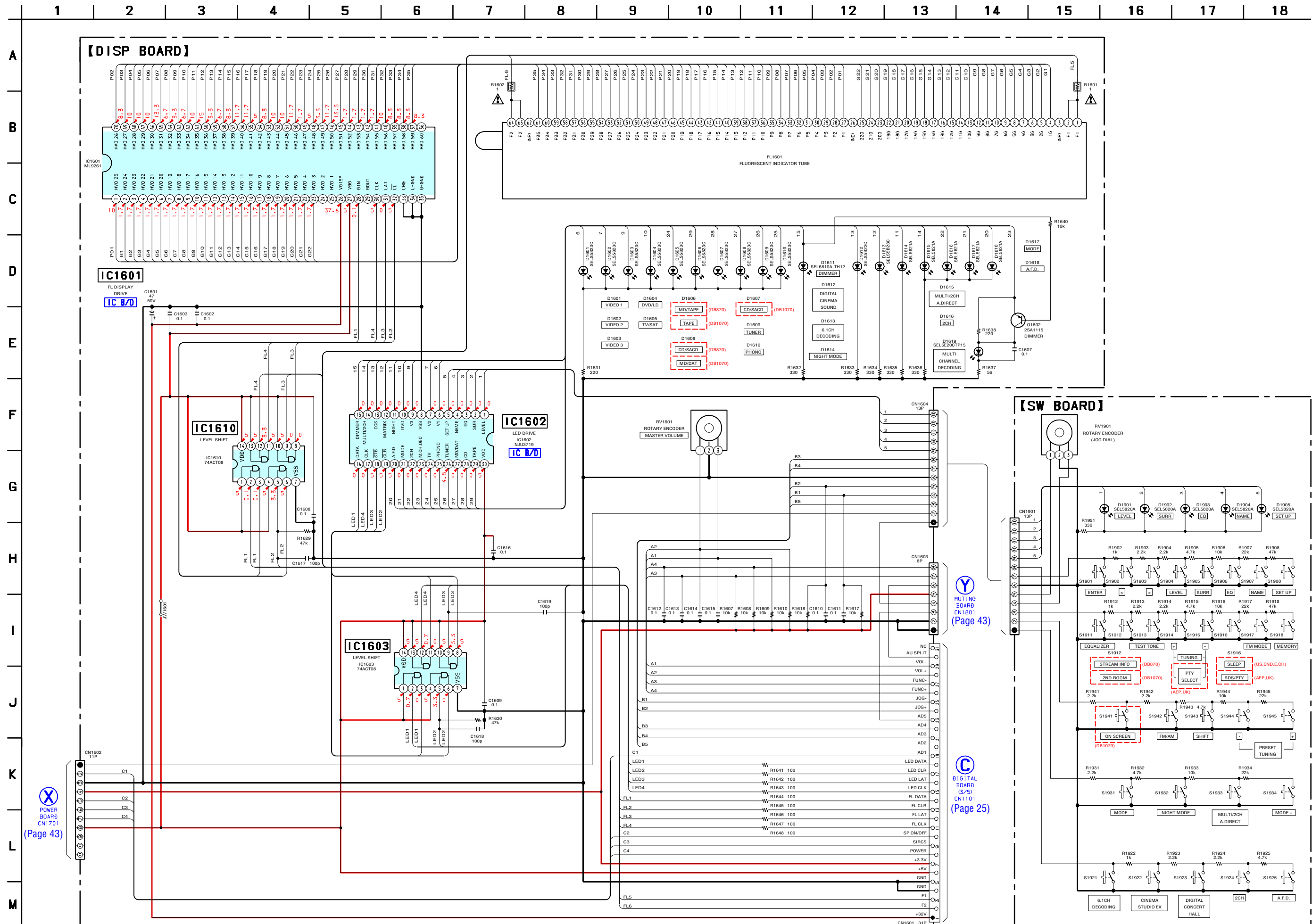
6-25. PRINTED WIRING BOARDS – DISP/SW Boards – • See page 22 for Circuit Boards Location.



• Semiconductor Location

Ref. No.	Location	Ref. No.	Location	Ref. No.	Location
D1601	B-5	D1612	C-12	D1904	H-5
D1602	B-4	D1613	C-12	D1905	H-5
D1603	B-4	D1614	D-4		
D1604	C-5	D1615	D-4	IC1601	C-10
D1605	C-4	D1616	D-7	IC1602	E-4
D1606	C-5	D1617	D-6	IC1603	E-8
D1607	C-4	D1618	D-7	IC1610	E-9
D1608	C-4	D1619	A-8		
D1609	C-5	D1901	H-4	Q1602	A-9
D1610	C-4	D1902	H-4		
D1611	C-13	D1903	H-4		

6-26. SCHEMATIC DIAGRAM – DISP/SW Boards – • See page 46 for IC Block Diagrams.

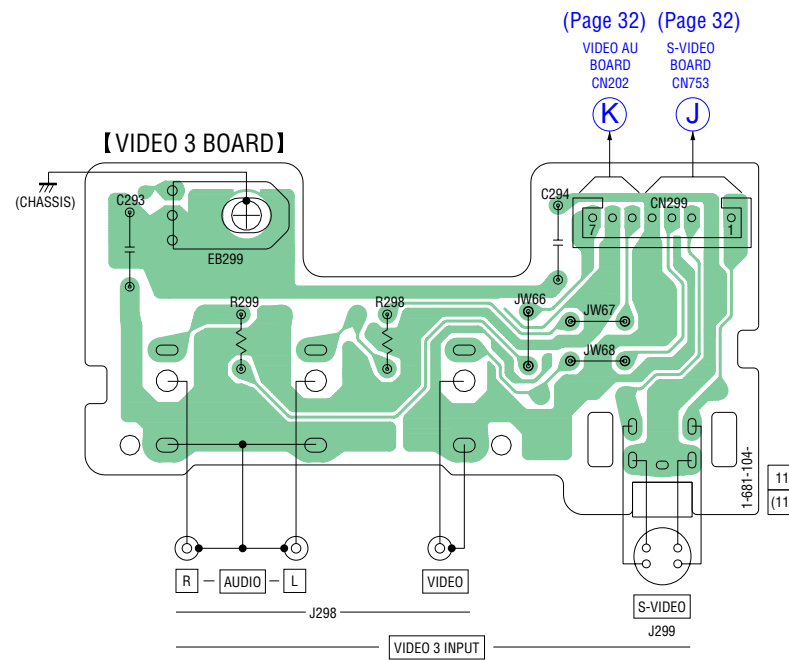
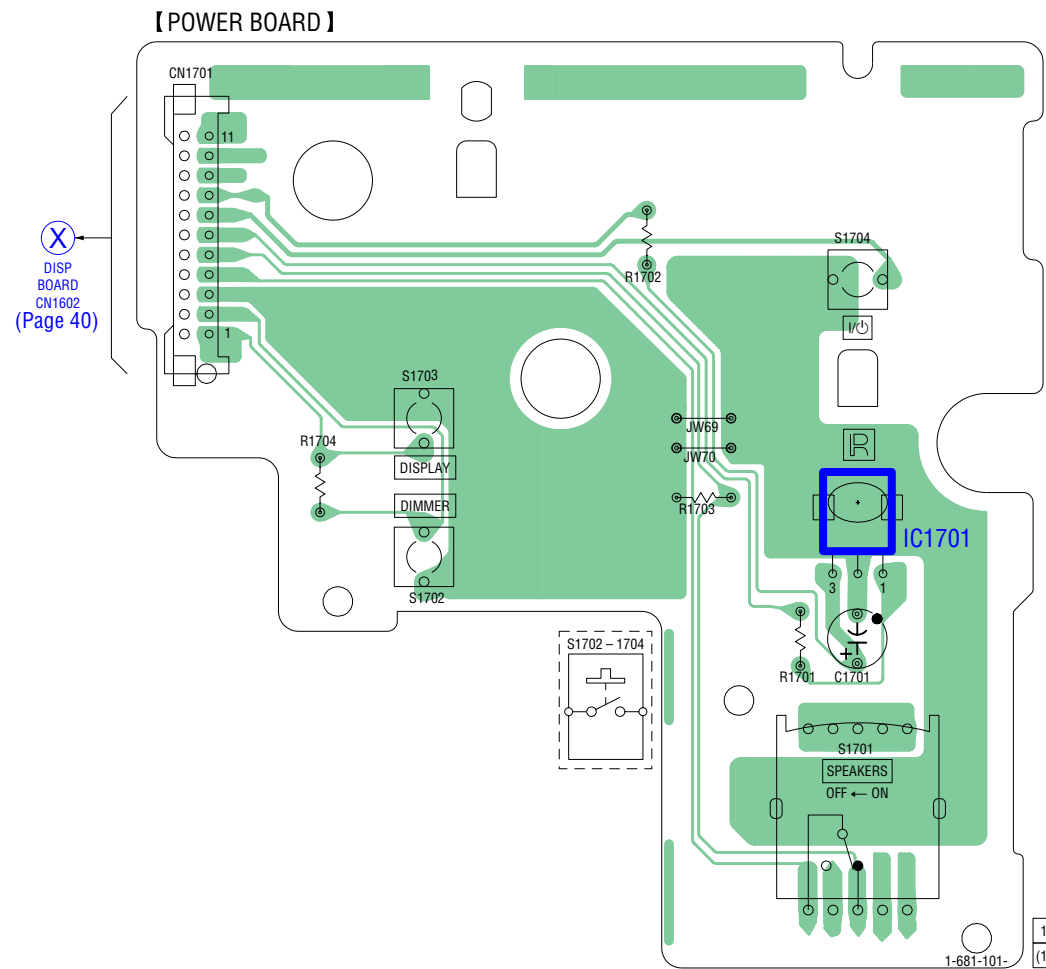
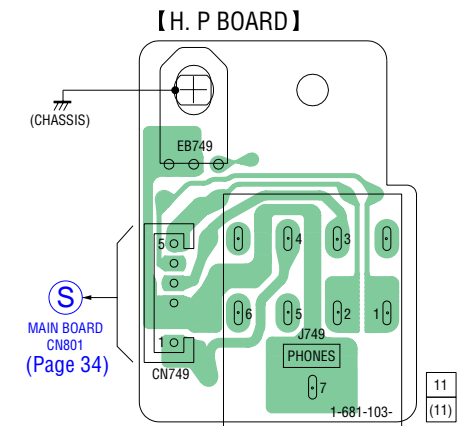
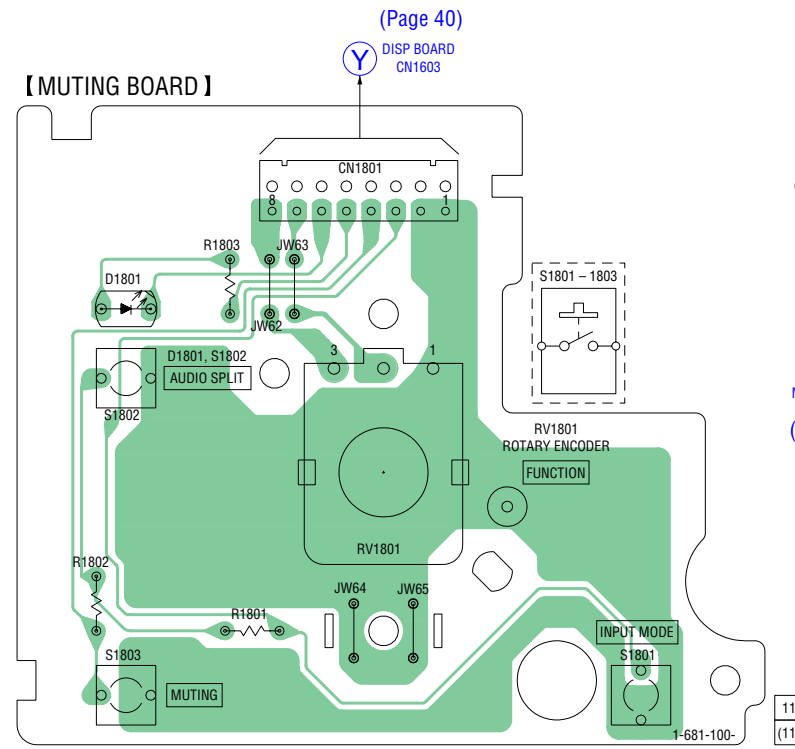
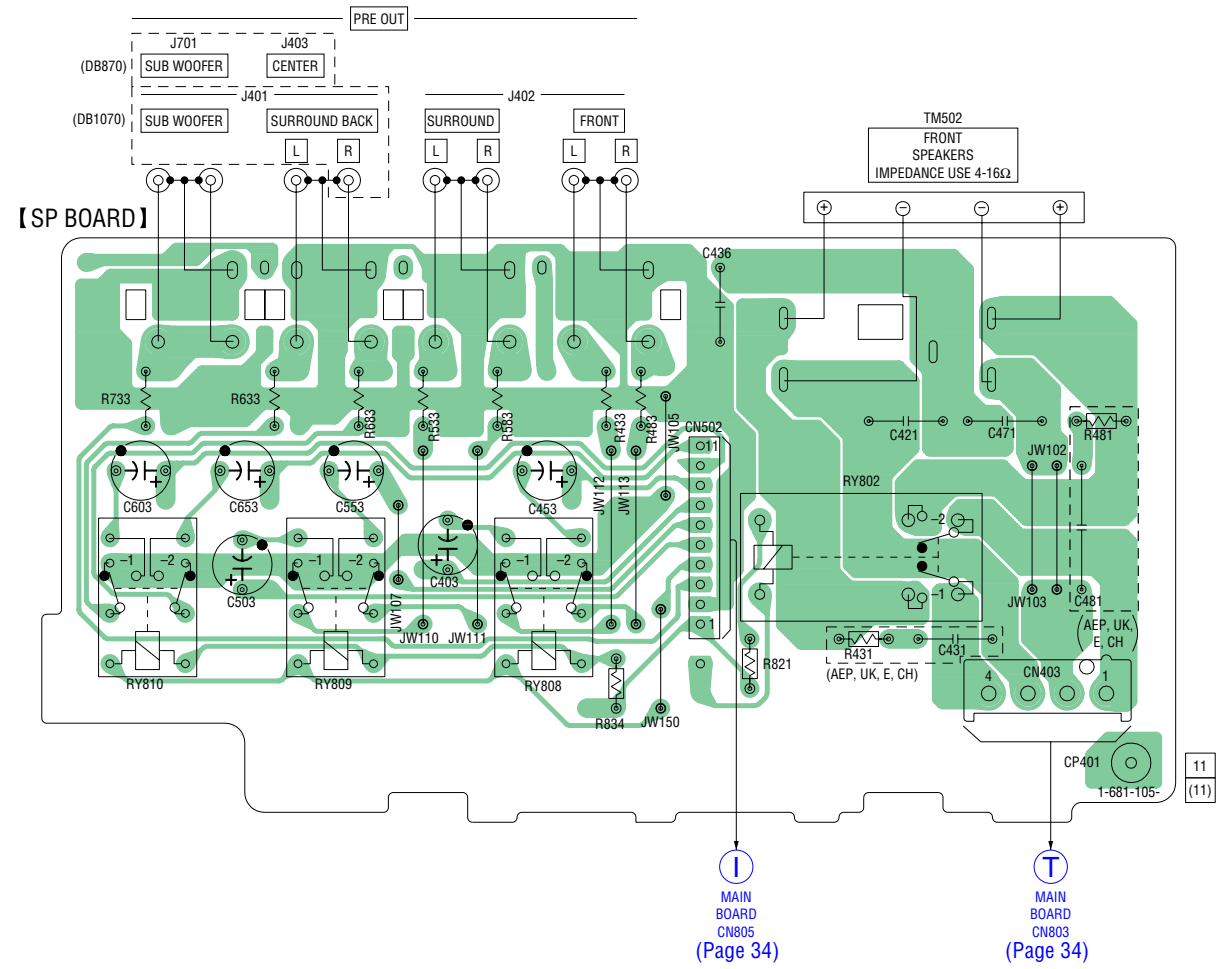


POWER BOARD CN1701 (Page 43)

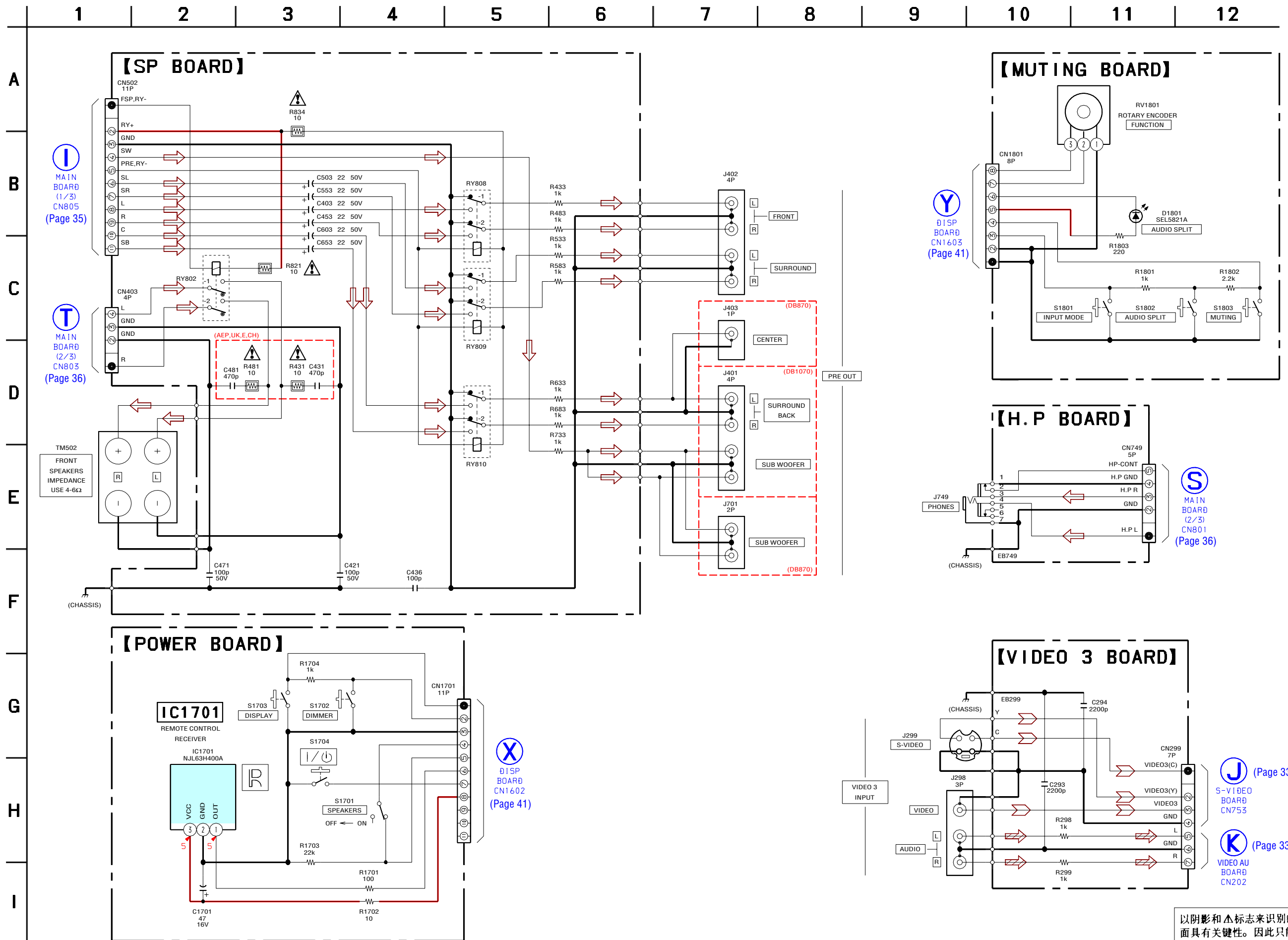
MUTING BOARD CN1801 (Page 43)

DIGITAL BOARD (3/5) CN1101 (Page 25)

6-27. PRINTED WIRING BOARDS – H.P/MUTING/POWER/SP/VIDEO 3 Boards – • See page 22 for Circuit Boards Location.



6-28. SCHEMATIC DIAGRAM – H.P/MUTING/POWER/SP/VIDEO 3 Boards –



I
MAIN BOARD (1/3)
CN805
(Page 35)

T
MAIN BOARD (2/3)
CN803
(Page 36)

TM502
FRONT SPEAKERS
IMPEDANCE
USE 4-6Ω

X
DISP BOARD
CN1602
(Page 41)

Y
DISP BOARD
CN1603
(Page 41)

S
MAIN BOARD (2/3)
CN801
(Page 36)

J (Page 33)

S-VIDEO BOARD
CN753

K (Page 33)

VIDEO AU BOARD
CN202

以阴影和△标志来识别的零部件在安全方面具有关键性。因此只能以规定号码的零部件来更换。

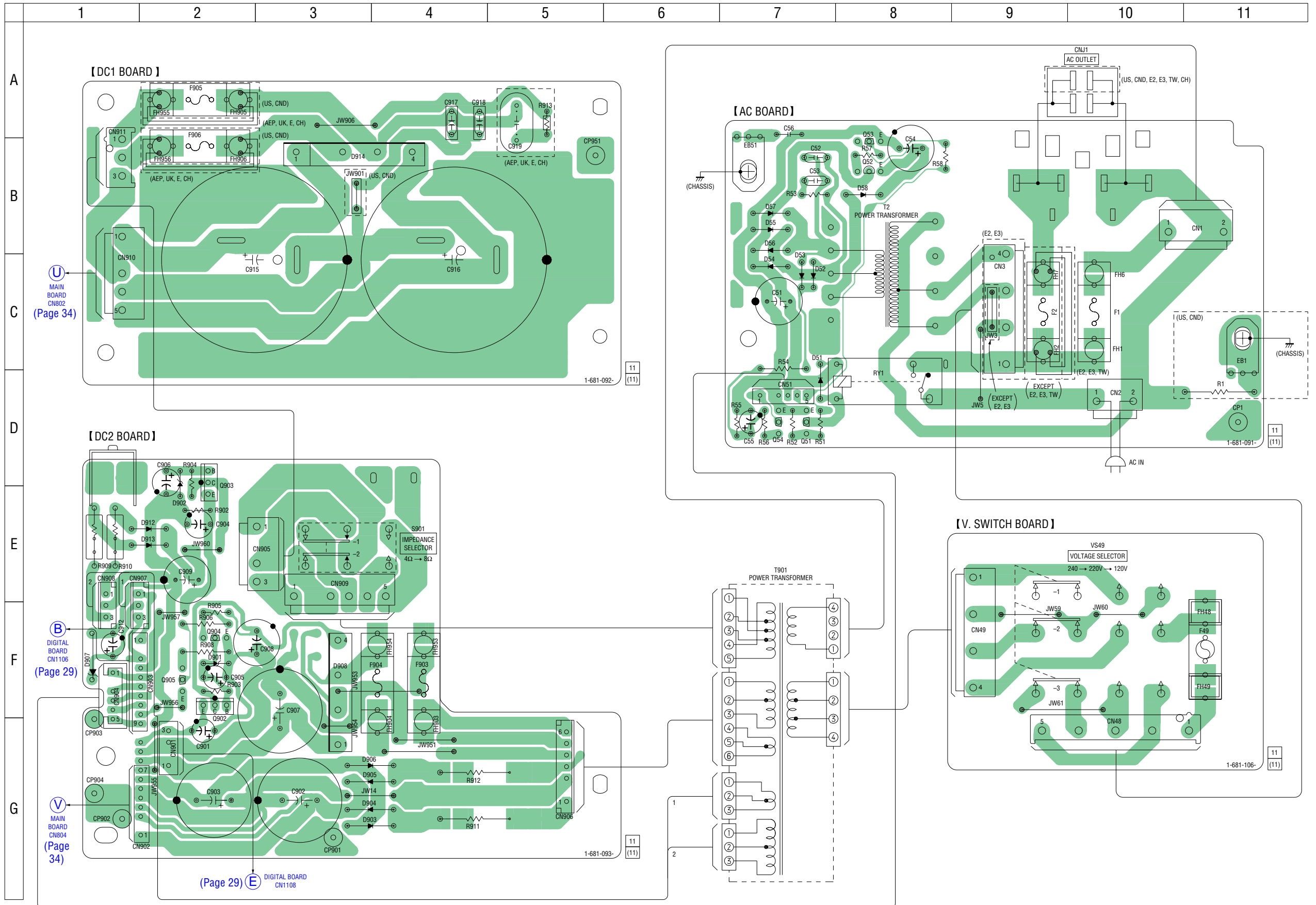
The components identified by mark △ or dotted line with mark △ are critical for safety. Replace only with part number specified.

Les composants identifiés par une marque △ sont critiques pour la sécurité. Ne les remplacer que par une pièce portant le numéro spécifié.

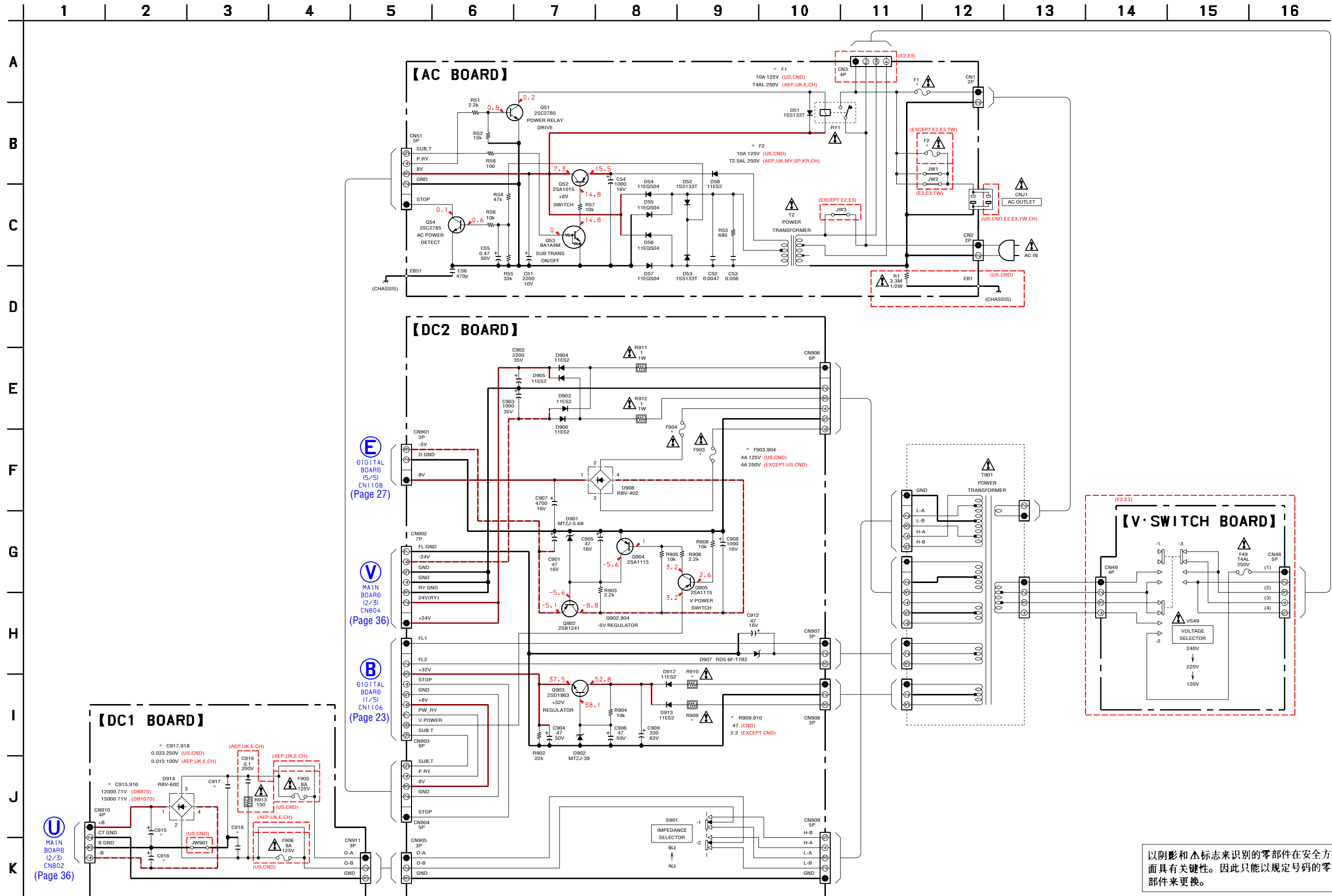
6-29. PRINTED WIRING BOARDS – POWER SUPPLY Section – • See page 22 for Circuit Boards Location.

• Semiconductor Location

Ref. No.	Location
D51	D-7
D52	C-7
D53	C-7
D54	C-7
D55	B-7
D56	B-7
D57	B-7
D58	B-8
D901	F-2
D902	D-2
D903	G-3
D904	G-3
D905	G-3
D906	G-3
D907	F-1
D908	F-3
D912	E-2
D913	E-2
D914	B-3
Q51	D-7
Q52	B-8
Q53	B-8
Q54	D-7
Q902	F-2
Q903	D-2
Q904	F-2
Q905	F-2



6-30. SCHEMATIC DIAGRAM – POWER SUPPLY Section –



U MAIN BOARD (2/3) CN802 (Page 36)

E DIGITAL BOARD (5/5) CN1108 (Page 27)

V MAIN BOARD (2/3) CN804 (Page 36)

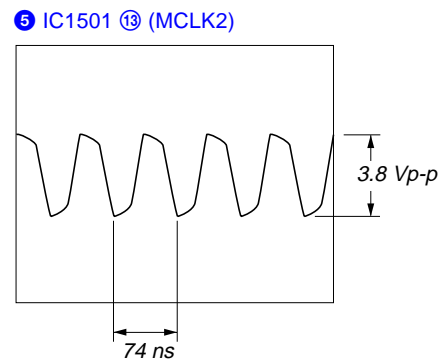
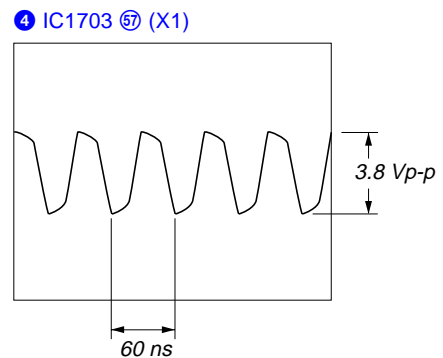
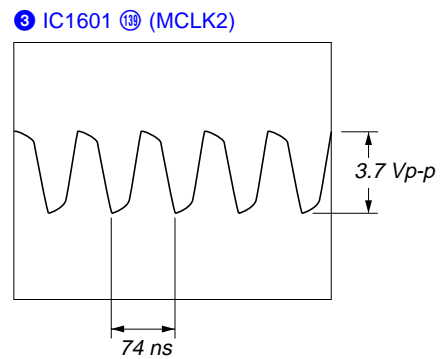
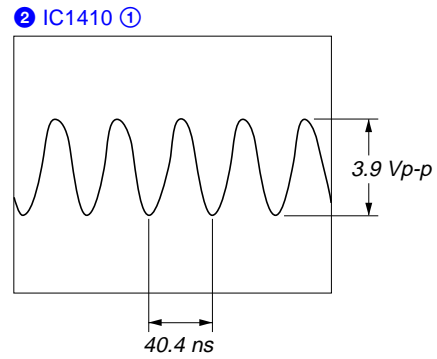
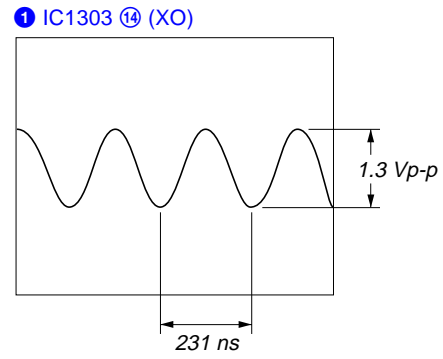
B DIGITAL BOARD (1/5) CN1106 (Page 23)

以阴影和△标志来识别的零部件在安全方面具有关键性。因此只能以规定号码的零部件来更换。

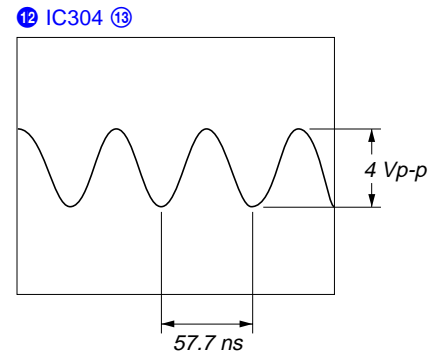
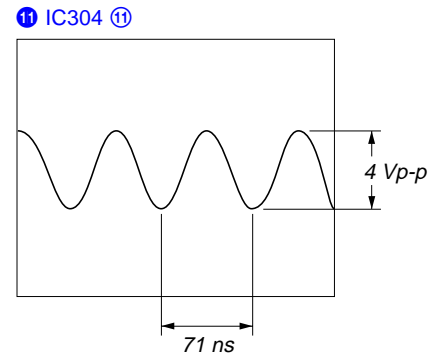
The components identified by mark △ or dotted line with mark △ are critical for safety. Replace only with part number specified.

Les composants identifiés par une marque △ sont critiques pour la sécurité. Ne les remplacer que par une pièce portant le numéro spécifié.

• Waveforms
– DIGITAL Board –

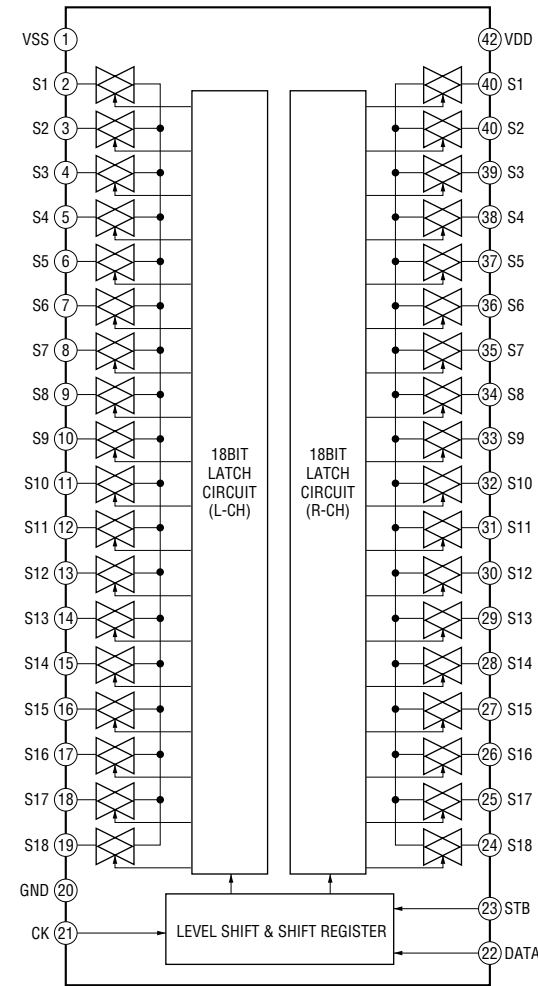


– VIDEO Board –

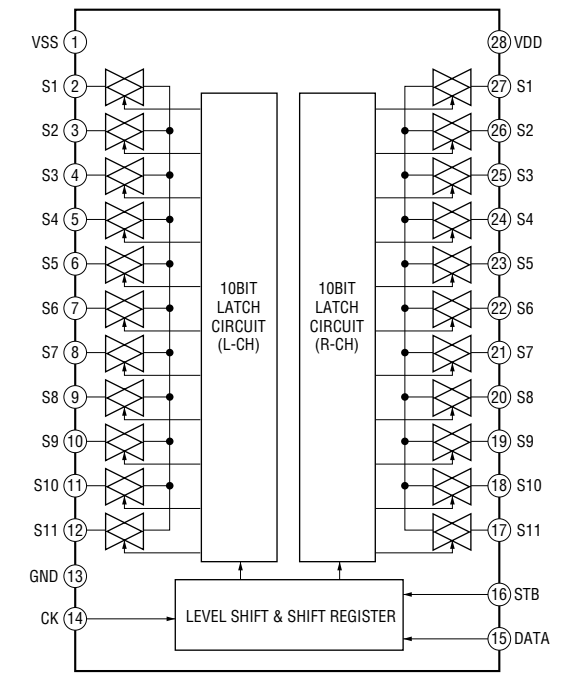


• IC Block Diagrams

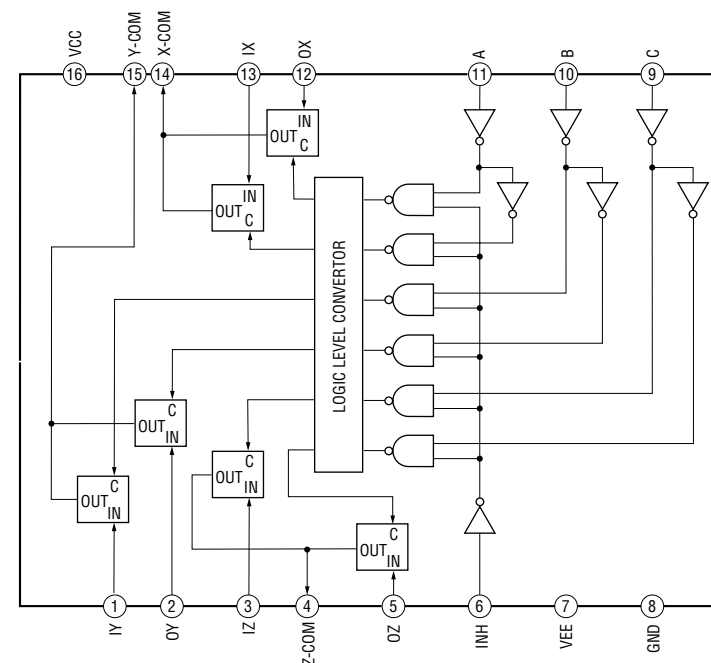
IC101 TC9274N-016 (MAIN board)



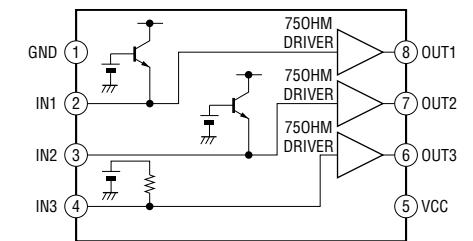
IC102 TC9273N-004 (MAIN Board)
IC105 TC9273N-013 (MAIN Board (STR-DB1070))
IC201 TC9273N-014 (VIDEO AU Board)



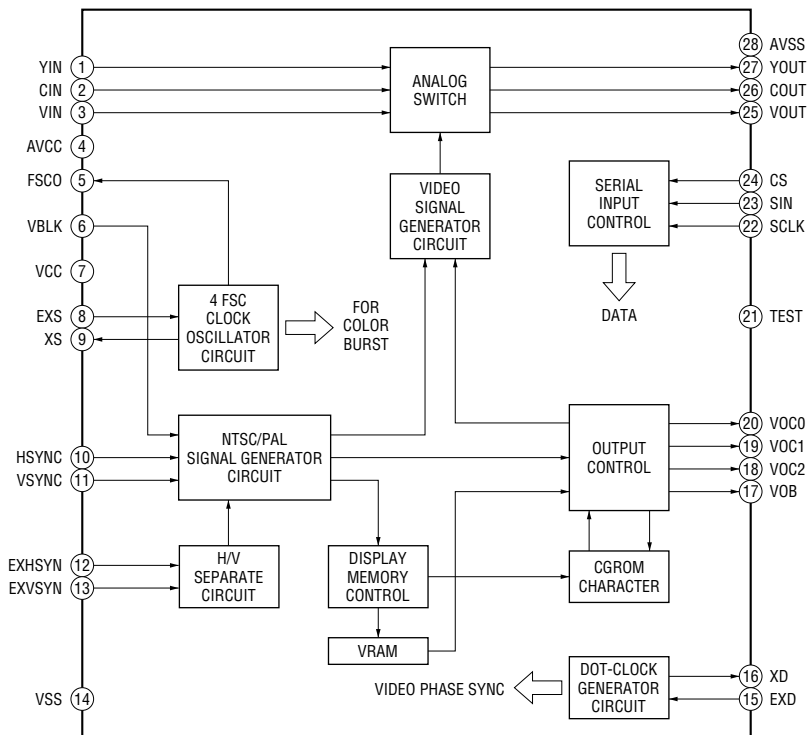
IC303 TC74HC4053AP (VIDEO Board (US and Canadian models))



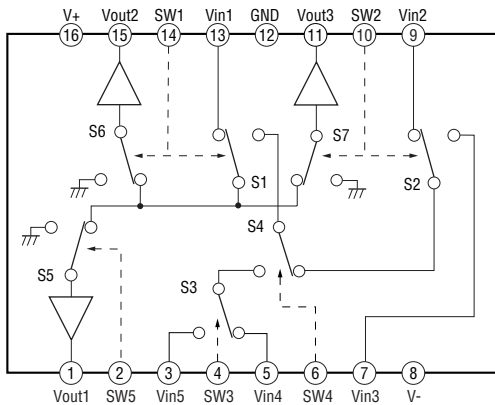
IC305 BA7622 (VIDEO Board (STR-BD1070))



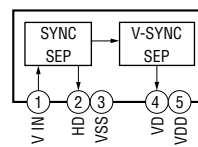
IC307 MB90089F-G-238-BND (VIDEO Board (STR-DB1070))



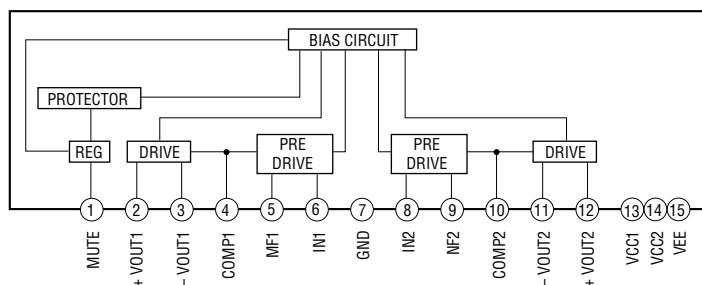
**IC308 NJM2296D (VIDEO Board)
IC750, 752 NJM2296D (S-VDIEO Board)**



**IC309, 311 LA7213 (VIDEO Board
(STR-DB1070: AEP, UK, E and Chinese models))**

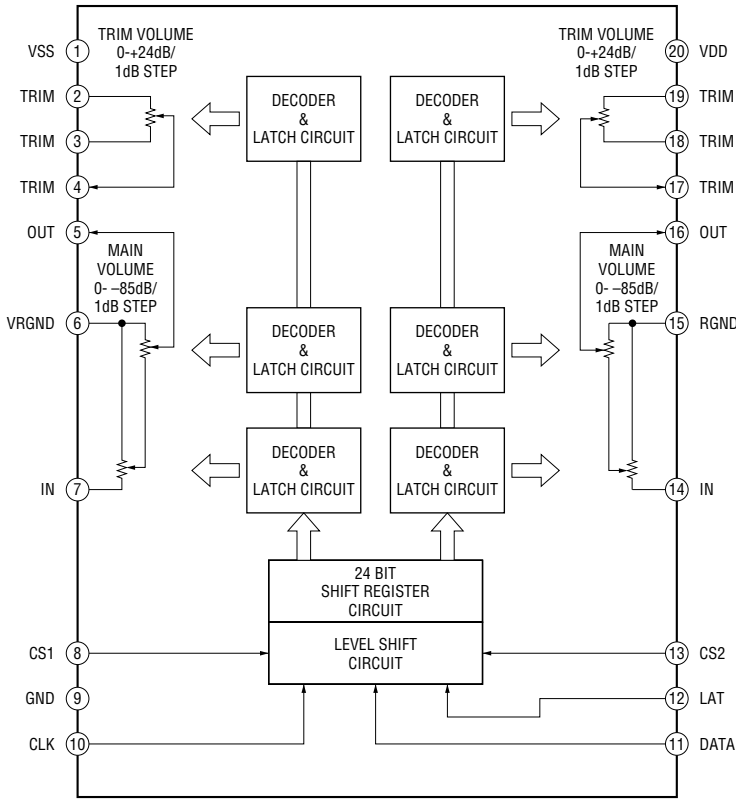


IC403, 503, 603 μPC2581V (MAIN Board (IC603: STR-DB1070))

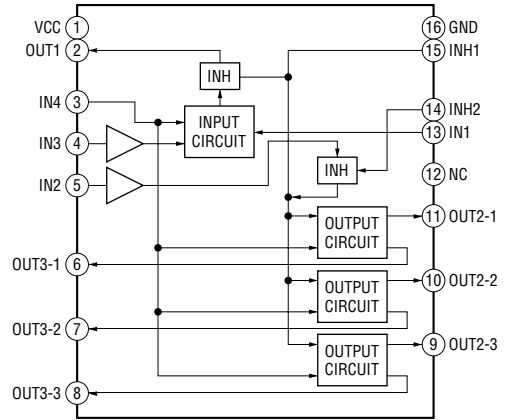


STR-DB870/DB1070

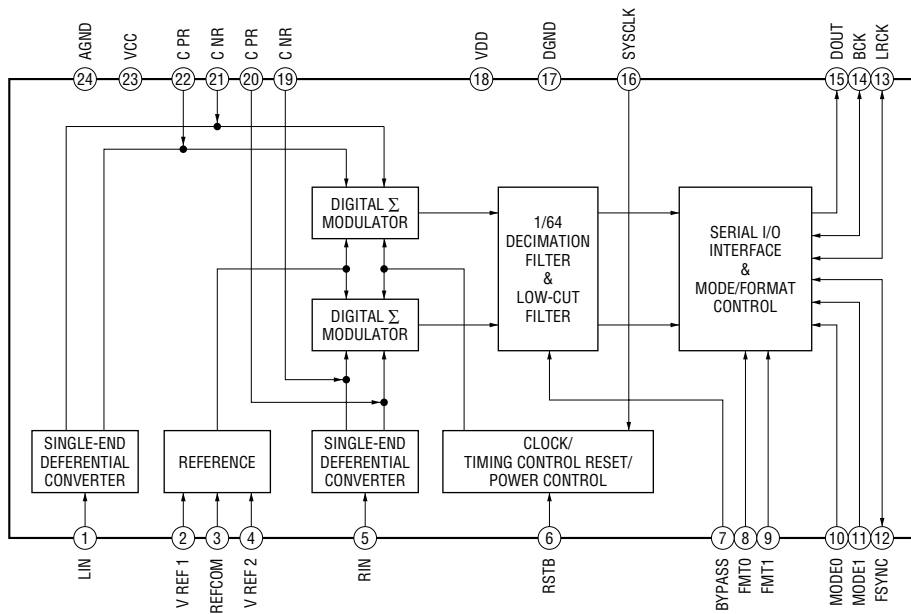
IC401, 501, 601, 701 TC94A07P (MAIN Board)



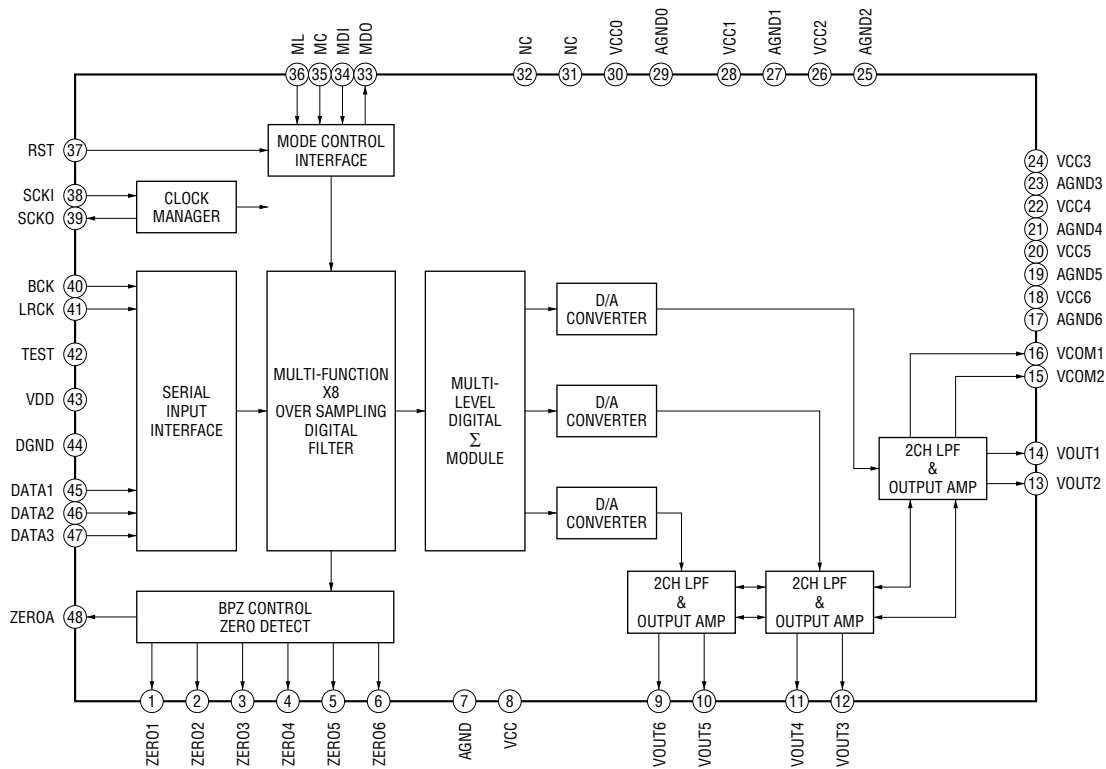
IC751 NJM2145D (S-VIDEO Board (US and Canadian models))



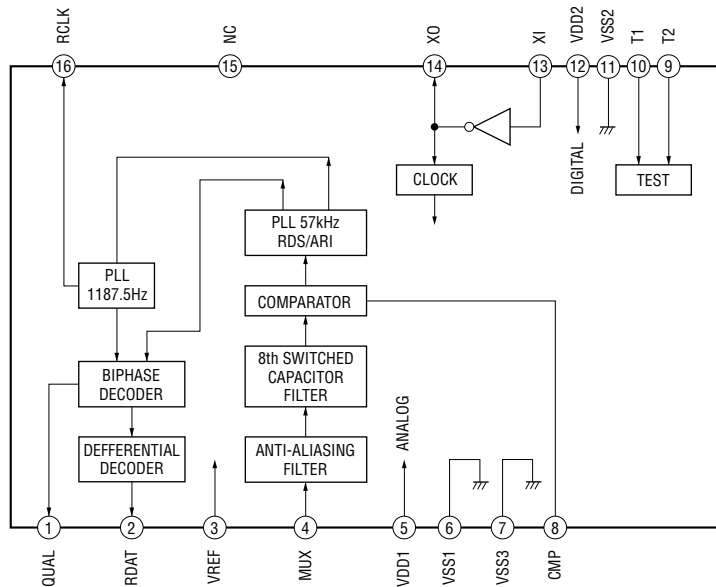
IC1101 PCM1800E/2K (DIGITAL Board)



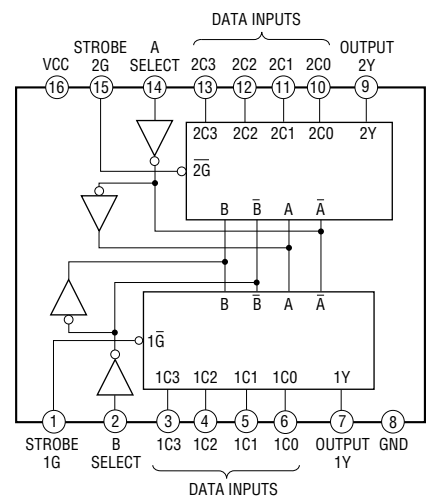
IC1201 PCM1604Y/2K (DIGITAL Board)



IC1303 BU1924F-E2 (DIGITAL Board (AEP and UK models))

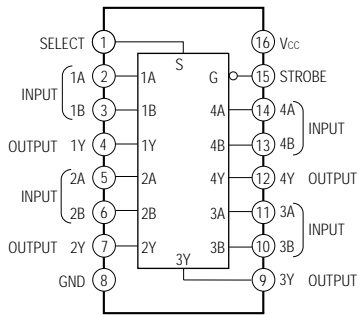


IC1406 SN74HC153ANS (DIGITAL Board)

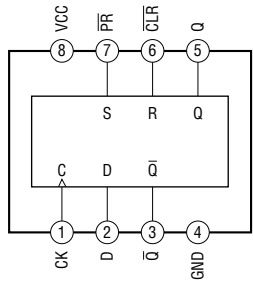


STR-DB870/DB1070

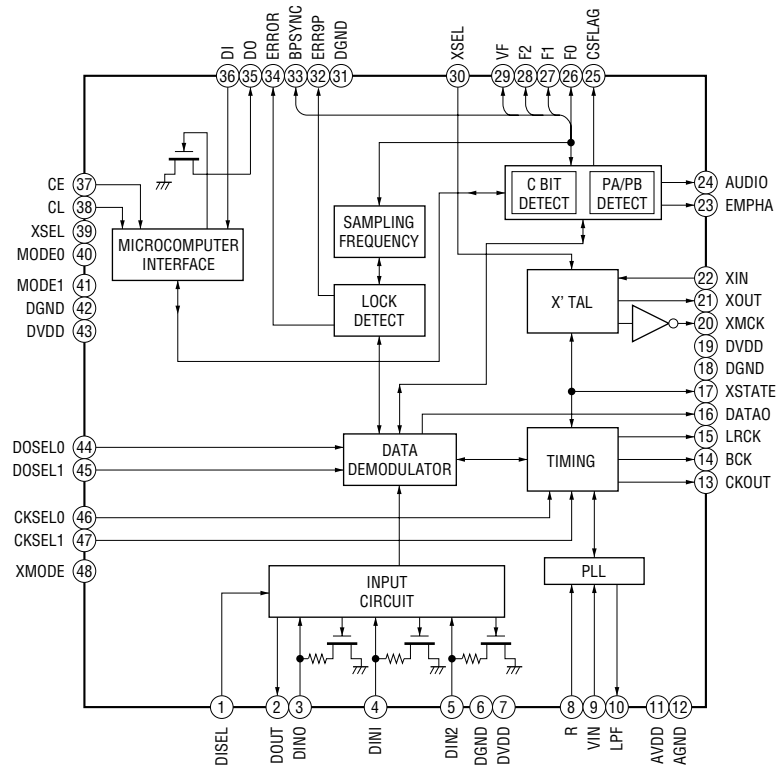
IC1407 TC7WH157FU (TE12R)
(DIGITAL Board)



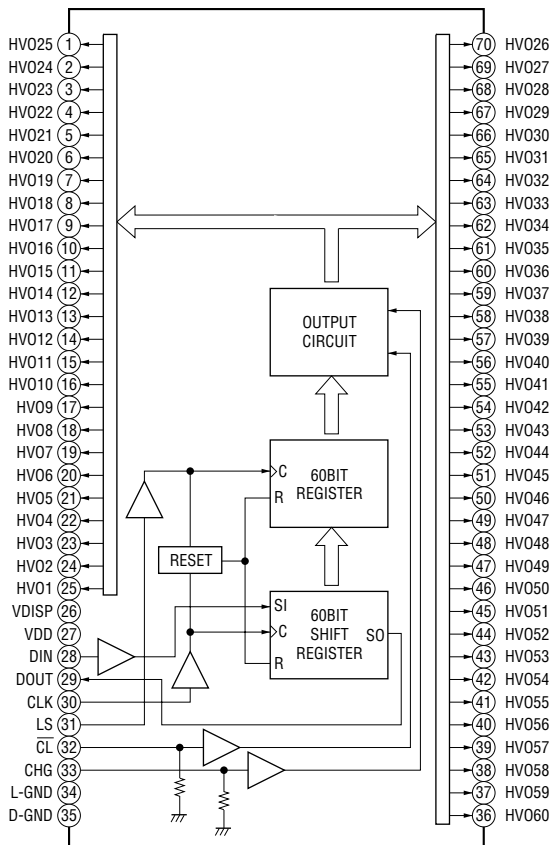
IC1409 TC7WH74FU (TE12R)
(DIGITAL Board)



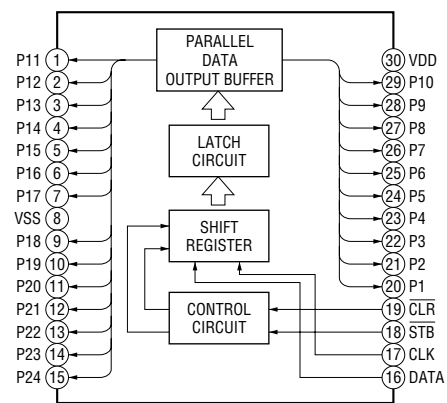
IC1408 LC89056W-E (DIGITAL Board)



IC1601 ML9261MB (DISP Board)



IC1602 NJU3719L (DISP Board)



6-31. IC PIN FUNCTION DESCRIPTION

• DIGITAL BOARD IC1201 PCM1604Y/2K (D/A CONVERTER)

Pin No.	Pin Name	I/O	Description
1 to 6	ZER01 to ZER06	I	Not used (open)
7	AGND	—	Ground terminal (for analog)
8	VCC	—	Power supply terminal (+5V)
9	VOUT6	O	Analog negative signal output to the line amp (IC1261)
10	VOUT5	O	Analog negative signal output to the line amp (IC1261)
11	VOUT4	O	Analog negative signal output to the line amp (IC1241)
12	VOUT3	O	Analog negative signal output to the line amp (IC1241)
13	VOUT2	O	Analog negative signal output to the line amp (IC1221)
14	VOUT1	O	Analog negative signal output to the line amp (IC1221)
15	VCOM2	O	Common voltage output terminal
16	VCOM1	O	Large external capacitor is used to reduce power supply noise
17	AGND6	—	Ground terminal (for analog)
18	VCC6	—	Power supply terminal (+5V)
19	AGND5	—	Ground terminal (for analog)
20	VCC5	—	Power supply terminal (+5V)
21	AGND4	—	Ground terminal (for analog)
22	VCC4	—	Power supply terminal (+5V)
23	AGND3	—	Ground terminal (for analog)
24	VCC3	—	Power supply terminal (+5V)
25	AGND2	—	Ground terminal (for analog)
26	VCC2	—	Power supply terminal (+5V)
27	AGND1	—	Ground terminal (for analog)
28	VCC1	—	Power supply terminal (+5V)
29	AGND0	—	Ground terminal (for analog)
30	VCC0	—	Power supply terminal (+5V)
31, 32	NC	—	Not used (open)
33	MDO	O	Serial data output to the system control (IC1703)
34	MDI	I	Serial data input from the system controller (IC1703)
35	MC	I	Clock signal input from the system controller (IC1703)
36	ML	I	Latch signal input from the system controller (IC1703)
37	RST	I	Reset signal input from the system controller (IC1703)
38	SCKI	I	Serial clock signal input from the audio DSP2 (IC1601)
39	SCKO	O	Serial clock signal output terminal Not used (open)
40	BCK	I	Bit clock signal input from the audio DSP2 (IC1601)
41	LRCK	I	L/R sampling clock signal input from the audio DSP2 (IC1601)
42	TEST	I	Test data input terminal (fixed at "L")
43	VDD	—	Power supply terminal (+5V)
44	DGND	—	Ground terminal (for digital)
45	DATA1	I	Audio serial data1 input from the audio DSP2 (IC1601)
46	DATA2	I	Audio serial data2 input from the audio DSP2 (IC1601)
47	DATA3	I	Audio serial data3 input from the audio DSP2 (IC1601)
48	ZER0A	I	Zero input detect terminal Not used (open)

• DIGITAL BOARD IC1408 LC89056W-E (DIGITAL AUDIO INTERFACE RECEIVER)

Pin No.	Pin Name	I/O	Description
1	DISEL	I	Input data select terminal (fixed at "L")
2	DOUT	O	EIAJ data and parity output terminal Not used (open)
3	DIN0	I	Amp integrate data input from the select switch (IC1406)
4	DIN1	O	Amp integrate data input terminal Not used (fixed at "L")
5	DIN2	I	Amp integrate data input terminal Not used (fixed at "L")
6	DGND	—	Ground terminal (for digital)
7	DVDD	—	Power supply terminal (+5V) (for digital)
8	R	I	Input terminal for VCO generator band adjustment
9	VIN	I	Input terminal for VCO self running frequency set
10	LPF	O	External LPF for PLL is connected to this terminal
11	AVDD	—	Power supply terminal (+5V) (for analog)
12	AGND	—	Ground terminal (for analog)
13	CKOUT	O	Clock signal output to the audio DSP1, 2 (IC1501, 1601)
14	BCK	O	Bit clock signal output to the A/D converter (IC1101) and audio DSP1 (IC1501)
15	LRCK	O	L/R sampling clock signal output to the A/D converter (IC1101) and audio DSP1, 2 (IC1501, 1601)
16	DATAO	O	Audio data output to the system controller (IC1703) and audio DSP1 (IC1501)
17	XSTATE	O	Clock status flag output to the system controller (IC1703)
18	DGND	—	Ground terminal (for digital)
19	DVDD	—	Power supply terminal (+5V) (for digital)
20	XMCK	O	Clock signal outout to the A/D converetr (IC1101) (24.576MHz)
21	XOUT	O	Clock output terminal Not used (open)
22	XIN	I	Clock input from the clock oscillator (IC1410) (24.576MHz)
23	EMPHA	O	Emphasis monitor output terminal "H": on Not used (open)
24	AUDIO	O	Audio transfer signal output to the audio DSP1 (IC1501)
25	CSFLAG	O	Not used (open)
26 to 29	F0/P0/C0 to F3/P3/C3	O	Terminal for check Not used (open)
30	DVDD	—	Power supply terminal (+5V) (for digital)
31	DGND	—	Ground terminal (for digital)
32	AUTO	O	Not used (open)
33	BPSYNC	O	Not used (open)
34	ERROR	O	Error mute output to the system controller (IC1703) and audio DSP1 (IC1501)
35	DO	O	Data output to the system controller (IC1703)
36	DI	I	Data input from the system controller (IC1703)
37	CE	I	Chip enable signal input from the system controller (IC1703)
38	CLK	I	Clock signal input from the system controller (IC1703)
39	XSEL	I	Clock select terminal (fixed at "H")
40, 41	MODE0, MODE1	I	Mode setting input terminal (fixed at "L")
42	DGND	—	Ground terminal (for digital)
43	DVDD	—	Power supply terminal (+5V) (for digital)
44, 45	DOSEL0, DOSEL1	I	Data format select signal input terminal (fixed at "L")
46	CKSEL0	I	System clock select signal input terminal (fixed at "L")
47	CKSEL1	I	System clock select signal input from the system controller (IC1703)
48	XMODE	I	Reset signal input from the system controller (IC1703)

• DIGITAL BOARD IC1501 CDX9617R (AUDIO DSP1)

Pin No.	Pin Name	I/O	Description
1	VSS	—	Ground terminal
2	XRST	I	Reset signal input from the system controller (IC1703)
3	EXTIN	I	Master clock input terminal Not used (fixed at “L”)
4	FS2	I	Sampling frequency select signal input terminal Not used (fixed at “L”)
5	VDDI	—	Power supply terminal (+2.5V)
6	FS1	I	Sampling frequency select signal input terminal Not used (fixed at “L”)
7	PLOCK	O	Internal PLL lock signal output terminal Not used (open)
8	VSS	—	Ground terminal
9	MCLK1	I	System clock input terminal (13.5MHz)
10	VDDI	—	Power supply terminal (+2.5V)
11	VSS	—	Ground terminal
12	MCLK2	O	System clock output terminal (13.5MHz)
13	MS	I	Master/slave active select terminal “L”: internal clock, “H”: external clock
14	SCKOUT	O	Internal system clock output terminal Not used (open)
15	LRCKI1	I	L/R sampling clock signal input from the audio interface receiver (IC1408)
16	VDDE	—	Power supply terminal (+3.3V)
17	BCKI1	I	Bit clock signal input from the audio interface receiver (IC1408)
18	SDI1	I	Audio data input from the A/D converter (IC1503)
19	LRCKO	O	L/R sampling clock signal output to the audio DSP2 (IC1601)
20	BCKO	O	Bit clock signal output to the audio DSP2 (IC1601)
21	VSS	—	Ground terminal
22	KFSIO	I/O	Audio clock signal (384fs/256fs) in/out terminal
23 to 26	SDO1 to SDO4	O	Audio serial data output to the audio DSP2 (IC1601)
27	SPDIF	O	S/PDIF output terminal Not used (open)
28	LRCKI2	I	L/R sampling clock signal input from the audio interface receiver (IC1408)
29	BCKI2	I	Bit clock signal input from the audio interface receiver (IC1408)
30	SDI2	I	Audio serial data input from the audio interface receiver (IC1408)
31	VSS	—	Ground terminal
32	HACN	O	Host acknowledge signal output to the system controller (IC1703)
33	HDIN	I	Host serial data input from the system controller (IC1703)
34	HCLK	I	Host clock signal input from the system controller (IC1703)
35	HDOOUT	O	Host serial data output to the system controller (IC1703)
36	HCS	I	Host chip select input from the system controller (IC1703)
37	SDCLK	O	SD-RAM clock output terminal Not used (open)
38	CLKEN	O	SD-RAM clock enable output terminal Not used (open)
39	RAS	O	Row address strobe signal output terminal Not used (open)
40	VDDI	—	Power supply terminal (+2.5V)
41	VSS	—	Ground terminal
42	CAS	O	Column address strobe signal output terminal Not used (open)
43	DQM/OE0	O	Mask data output terminal
44	CS0	O	Chip select signal output to the S-RAM (IC1502)
45	WE0	O	Write enable signal output to the S-RAM (IC1502)
46	VDDE	—	Power supply terminal (+3.3V)
47	WMD1	I	External memory wait mode setting terminal (fixed at “H”)
48	VSS	—	Ground terminal

Pin No.	Pin Name	I/O	Description
49	WMD0	I	External memory wait mode setting terminal (fixed at "H")
50	PAGE2	O	External memory page select signal output terminal Not used (open)
51	VSS	—	Ground terminal
52, 53	PAGE1, PAGE0	O	External memory page select signal output terminal Not used (open)
54	BOOT	I	Boot mode control signal input terminal Not used (fixed at "L")
55	BTACT	O	Boot mode display signal output terminal Not used (open)
56	BST	I	Boot strap signal input from the system controller (IC1703)
57	MOD1	I	Mode select signal input terminal "L": 384fs, "H": 256fs
58	MOD0	I	Mode select signal input terminal "L": single chip mode, "H": can not use
59	EXLOCK	I	Error lock signal input from the digital audio interface receiver (IC1408)
60	VDDI	—	Power supply terminal (+2.5V)
61	VSS	—	Ground terminal
62, 63	A17, A16	O	Address signal output terminal Not used (open)
64 to 66	A15 to A13	O	Address signal output to the S-RAM (IC1502)
67	GP10	I	Serial clock input from the audio DSP2 (IC1601)
68	GP9	O	Signal output to the system controller (IC1703)
69	GP8	I	Audio transfer signal output to the digital audio interface receiver (IC1408)
70	VDDI	—	Power supply terminal (+2.5V)
71	VSS	—	Ground terminal
72 to 75	D15/GP7 to D12/GP4	I/O	Two-way data bus with the S-RAM (IC1502)
76	VDDE	—	Power supply terminal (+3.3V)
77 to 80	D11/GP3 to D8/GP0	I/O	Two-way data bus with the S-RAM (IC1502)
81	VSS	—	Ground terminal
82 to 85	A9, A12 to A10	O	Address signal output to the S-RAM (IC1502)
86	TDO	O	Emulation data output terminal Not used (open)
87	TMS	I	Emulation data input start/end select terminal Not used (open)
88	XTRST	I	Emulation break signal input terminal Not used (open)
89	TCK	I	Emulation clock signal input terminal Not used (open)
90	TDI	I	Emulation data input terminal Not used (open)
91	VSS	—	Ground terminal
92 to 97	A8 to A3	O	Address signal output to the S-RAM (IC1502)
98, 99	D7, D6	I/O	Two-way data bus with the S-RAM (IC1502)
100	VDDI	—	Power supply terminal (+2.5V)
101	VSS	—	Ground terminal
102 to 105	D5 to D2	I/O	Two-way data bus with the S-RAM (IC1502)
106	VDDE	—	Power supply terminal (+3.3V)
107, 108	D1, D0	I/O	Two-way data bus with the S-RAM (IC1502)
109, 110	A2, A1	O	Address signal output to the S-RAM (IC1502)
111	VSS	—	Ground terminal
112	A0	O	Address signal output to the S-RAM (IC1502)
113	PM	I	PLL initialize signal input from the system controller (IC1703)
114	SDI3, SDI4	I	Audio serial data input data terminal Not used (open)
116	SYNC	I	Sync/unsync select signal input terminal "L": sync (fixed at "H")
117 to 119	VSS	—	Ground terminal
120	VDDI	—	Power supply terminal (+2.5V)

• DIGITAL BOARD IC1601 CXD9616R (AUDIO DSP2)

Pin No.	Pin Name	I/O	Description
1	VDDI	—	Power supply terminal (+2.5V)
2	EXTIN	I	Not used (fixed at “L”)
3, 4	WMD1, WMD0	I	External memory wait mode setting terminal (fixed at “H”)
5	MOD1	I	Mode select signal input terminal “L”: 384fs, “H”: 256fs
6	MOD0	I	Mode select signal input terminal “L”: single chip mode, “H”: can not use
7	VSS	—	Ground terminal
8	XRST	I	Reset signal input from the system controller (IC1703)
9	VSS	—	Ground terminal
10	SCKOUT	O	Serial clock signal output to the D/A converter (IC1201, 1202)
11	VDDI (PLL)	—	Power supply terminal (+2.5V) (for PLL)
12	SYNC	I	Sync/unsync select signal input terminal “L”: sync
13 to 15	PAGE2 to PAGE0	O	External memory page select signal output terminal Not used (open)
16	PLOCK	O	Internal PLL lock signal output terminal Not used (open)
17	BTACK	I	Boot mode display signal output terminal Not used (open)
18	VDDE	—	Power supply terminal (+3.3V)
19	VSS	—	Ground terminal
20 to 22	D31 to D29	I/O	Two-way data bus with the S-RAM (IC1602)
23	A17	O	Address signal output terminal Not used (open)
24	VSS	—	Ground terminal
25	SDO3	O	Audio serial data output to the D/A converter (IC1201)
26	SDO4	O	Audio serial data output to the D/A converter (IC1202)
27, 28	SDI1, SDI2	I	Audio serial data input from the audio DSP1 (IC1501)
29	LRCKI1	I	L/R sampling clock signal input from the audio DSP1 (IC1501)
30	VSS	—	Ground terminal
31, 32	D28, D27	I/O	Two-way data bus with the S-RAM (IC1602)
33	A16	O	Address signal output terminal Not used (open)
34	A15	O	Address signal output to the S-RAM (IC1602)
35	SDI3	I	Audio serial data input from the audio DSP1 (IC1501)
36	L2	—	Not used (open)
37	VDDI	—	Power supply terminal (+2.5V)
38	BCKI1	I	Bit clock signal input from the audio DSP1 (IC1501)
39	SDI4	I	Audio serial data input from the audio DSP1 (IC1501)
40	MS	I	Master/slave active select terminal “L”: internal clock, “H”: external clock (fixed at “L”)
41, 42	A14, A13	O	Address signal output to the S-RAM (IC1602)
43, 44	D26, D25	I/O	Two-way data bus with the S-RAM (IC1602)
45	VSS	—	Ground terminal
46	BCKI2	I	Bit clock signal input terminal Not used (open)
47, 48	FS2, FS1	I	Sampling frequency select signal input terminal Not used (open)
49	SPDIF	I	S/PDIF output terminal Not used (open)
50	A12	O	Address signal output to the S-RAM (IC1602)
51 to 53	D24 to D22	I/O	Two-way data bus with the S-RAM (IC1602)
54	VDDE	—	Power supply terminal (+3.3V)
55	VSS	—	Ground terminal
56 to 58	D21 to D19	I/O	Two-way data bus with the S-RAM (IC1602)
59	A11	O	Address signal output to the S-RAM (IC1602)

Pin No.	Pin Name	I/O	Description
60, 61	SDO1, SDO2	O	Audio serial data output to the D/A converter (IC1201)
62	KFSIO	I/O	Audio clock signal (384fs/256fs) in/out terminal
63	LRCKO	O	L/R sampling clock signal output to the D/A converter (IC1201, 1202)
64	BCKO	O	Bit clock signal output to the D/A converter (IC1201, 1202)
65	VDDI	—	Power supply terminal (+2.5V)
66	VSS	—	Ground terminal
67, 68	D18, D17	I/O	Two-way data bus with the S-RAM (IC1602)
69, 70	A10, A9	O	Address signal output to the S-RAM (IC1602)
71	CAS	O	Column address strobe signal output terminal Not used (open)
72	RAS	O	Row address strobe signal output terminal Not used (open)
73	VDDI	—	Power supply terminal (+2.5V)
74	HDIN	I	Host serial data input from the system controller (IC1703)
75	HCLK	I	Host clock signal input from the system controller (IC1703)
76	HCS	I	Host chip select input from the system controller (IC1703)
77, 78	A8, A7	O	Address signal output to the S-RAM (IC1602)
79	D16	I/O	Two-way data bus with the S-RAM (IC1602)
80	D15	I/O	Two-way data bus terminal Not used (open)
81	VSS	—	Ground terminal
82	HDOOUT	O	Host serial data input from the system controller (IC1703)
83	HACN	O	Host acknowledge signal output to the system controller (IC1703)
84	CSO	O	Chip select signal output to the S-RAM (IC1602)
85	WEO	O	Write enable signal output to the S-RAM (IC1602)
86	A6	O	Address signal output to the S-RAM (IC1602)
87 to 89	D14 to D12	I/O	Two-way data bus terminal Not used (open)
90	VDDE	—	Power supply terminal (+3.3V)
91	VSS	—	Ground terminal
92 to 94	D11 to D9	I/O	Two-way data bus terminal Not used (open)
95	A5	O	Address signal output to the S-RAM (IC1602)
96	VDDI	—	Power supply terminal (+2.5V)
97	TCK	I	Emulation clock signal input terminal Not used (open)
98	TDI	I	Emulation data input terminal Not used (open)
99	TDO	O	Emulation data input terminal Not used (open)
100	TMS	I	Emulation data input start/end select Not used (open)
101	XTRST	I	Emulation break signal input terminal Not used (open)
102	VSS	—	Ground terminal
103, 104	D8, D7	I/O	Two-way data bus terminal Not used (open)
105, 106	A4, A3	O	Address signal output to the S-RAM (IC1602)
107, 108	GP10, GP9	—	Not used (open)
109	VDDI	—	Power supply terminal (+2.5V)
110	GP8	—	Not used (open)
111	GP7	I	Serial clock signal input terminal
112	GP6	—	Not used (open)
113, 114	A2, A1	O	Address signal output to the S-RAM (IC1602)
115, 116	D6, D5	I/O	Two-way data bus terminal Not used (open)
117	VSS	—	Ground terminal
118, 119	GP5, GP4	—	Not used (open)

Pin No.	Pin Name	I/O	Description
120	GP3	O	Error signal output to the system controller (IC1703)
121	NC	—	Not used (open)
122	A0	O	Address signal output to the S-RAM (IC1602)
123 to 125	D4 to D2	I/O	Two-way data bus terminal Not used (open)
126	VDDE	—	Power supply terminal (+3.3V)
127	VSS	—	Ground terminal
128, 129	D1, D0	I/O	Two-way data bus terminal Not used (open)
130	GP2	—	Not used (open)
131	GP1	I	Clock signal input from the digital audio interface receiver (IC1408)
132	GP0	I	Serial clock signal input terminal
133	SDCLK	O	Not used (open)
134	CLKEN	O	Not used (open)
135	DQM	O	Not used (open)
136	EXLOCK	I	External lock signal input from the system controller (IC1703)
137	VDDI	—	Power supply terminal (+2.5V)
138	VSS	—	Ground terminal
139	MCLK2	O	System clock output terminal (13.5MHz)
140	PM	I	PLL initialize signal input from the system controller (IC1703)
141	BST	I	Boot strap signal input from the system controller (IC1703)
142	BOOT	I	Boot mode control signal input terminal Not used (fixed at “L”)
143	TST	I	Not used (fixed at “L”)
144	MCLK1	I	System clock output terminal (13.5MHz)

• DIGITAL BOARD IC1703 MB91154PMT2-G-102-E1 (SYSTEM CONTROLLER)

Pin No.	Pin Name	I/O	Description
1	H.P IN	I	Headphone detect signal input from the HP jack (J749) "H": active
2	SP A RY	O	Front speaker A relay drive signal output terminal "H": relay on
3	H/P RY	O	Headphone relay drive signal output terminal "H": relay on
4	WOOFER RY	O	Woofer speaker relay drive signal output terminal "H": relay on
5	REAR RY	O	Rear speaker drive signal output terminal "H": relay on
6	CENTER RY	O	Center and surround back speakers drive signal output terminal "H": relay on
7	2ND AUDIO RY	O	2nd audio relay drive signal output terminal "H": relay on
8	PRE RY	O	Pre relay drive signal output terminal "H": relay on
9	VSS	—	Ground terminal
10	SB RY	I	Center and surround back speakers drive signal output terminal "H": relay on
11	C.JOG	I	Jog dial pulse input from the RV1901 (jog dial) A phase input
12	C.JOG	I	Jog dial pulse input from the RV1901 (jog dial) B phase input
13	F.JOG	I	Jog dial pulse input from the RV1801 (FUNCTION) A phase input
14	F.JOG	I	Jog dial pulse input from the RV1801 (FUNCTION) B phase input
15	V.JOG	I	Jog dial pulse input from the RV1601 (MASTER VOLUME) A phase input
16	V.JOG	I	Jog dial pulse input from the RV1601 (MASTER VOLUME) B phase input
17	SP.SW	I	Speaker ON/OFF signal input terminal "L": speaker on
18	POWER.RY	O	Power relay drive signal output terminal "H": relay on
19	TUNER AUTO STOP	I	Tuned display auto stop detect signal input from the FM/AM tuner unit "L": active
20	TUNER MUTE	O	Muting control signal output to the FM/AM tuner unit "L": muting
21	DATA	O	Serial data output to the FM/AM tuner unit, LED drive (IC1602), function switch (IC101, 102, 105, 201) and electrical volume (IC401, 501, 601, 701)
22	CLK	O	Serial data transfer clock signal output to the FM/AM tuner unit, LED drive (IC1602), function switch (IC101, 102, 105, 201) and electrical volume (IC401, 501, 601, 701)
23	TUNER DATA IN	I	PLL data input from the FM/AM tuner unit
24	F. SW LAT	O	Serial data latch pulse output to the function switch (IC101, 102, 105, 201) and electrical volume (IC401, 501, 601, 701) "H": active
25	TUNER STEREO	I	FM stereo detection signal input from the FM/AM tuner unit "L": stereo
26	VSS	—	Ground terminal
27	VCC	—	Power supply terminal (+3.3V)
28	RDS DATA	O	RDS serial data output to the RDS decoder (IC1303) (AEP, UK models only)
29	VIDEO SW1	O	Video select signal output to the video switch (IC308) and S-VIDEO switch (IC750, 752)
30	VIDEO SW2	O	Video select signal output to the video switch (IC308) and S-VIDEO switch (IC750, 752)
31	VIDEO SW3	O	Video select signal output to the video select switch (IC308) and S-VIDEO select switch (IC750, 752)
32	VIDEO SW4	O	Video select signal output to the video select switch (IC308) and S-VIDEO select switch (IC750, 752)
33	VSYNC	I	Vertical synchronized signal input from the LA7213 (IC309, 311) (DB1070: AEP, UK,E, Chinese models only)
34	P/N	O	NTSC/PAL select signal output terminal "L": NTSC (DB1070: US, Canadian models) "H": PAL (DB1070: AEP, UK,E, Chinese models)
35	HDOUT1	I	Host serial data input from the audio DSP1 (IC1501)
36, 37	OPT B, OPT A	O	Digital input select signal output to the select switch (IC1406)
38	LED CE	O	Chip enable signal output to the LED driver (IC1602)
39	LED CLR	O	Clear signal output to the LED driver (IC1602)
40	TUNER LAT	O	Tuner latch signal output to the FM/AM tuner unit

Pin No.	Pin Name	I/O	Description
41	M STATUS	O	STATUS (M BUS) control signal output to the select switch (IC751)
42	D.POWER	O	Power ON/OFF control signal output terminal (digital section power)
43	V.POWER	O	Power ON/OFF control signal output terminal (video section power)
44	VSS	—	Ground terminal
45, 46	NC	I	Not used (fixed at “L”)
47	ERROR	I	Error signal input from the audio DSP (IC1601)
48	NC	I	Not used (fixed at “L”)
49	SUB.T.PORT	O	Sub power transformer (T2) on/off signal output terminal
50	AUDIO SPLIT LED	O	LED drive signal output of AUDIO SPLIT indicator (D1801)
51	GND	—	Not used (fixed at “L”)
52	MD2	O	MD2 signal output terminal (fixed at “L”)
53	MD1	O	MD1 signal output terminal (fixed at “H”)
54	MD0	O	MD0 signal output terminal (fixed at “H”)
55	RSTX	I	System reset signal input from the reset signal generator (IC1702)
56	VCC	—	Power supply terminal (+3.3V)
57	X1	O	Main system clock output terminal (16.5MHz)
58	X0	I	Main system clock output terminal (16.5MHz)
59	VSS	—	Ground terminal
60	STOP	I	AC power check signal input terminal
61	RDS CLK	I	RDS serial data transfer clock signal input from the RDS decoder (IC1303)
62	POWER	I	Key input terminal I/⏻ key (S1704) input
63	MBUS TV	I	TV (M BUS) signal input from the TV jack (J755) (US, Canadian models only)
64	MBUS DVD	I	DVD (M BUS) signal input terminal (US, Canadian models only)
65	MBUS VIDEO	I	VIDEO (M BUS) input terminal (US, Canadian models only)
66	SIRCS	I	Sircs signal input from the remote control receiver (IC1701) and select switch (IC751)
67	DIR ERROR	I	Error signal input from the digital audio interface receiver (IC1408)
68	VCC	—	Power supply terminal (+3.3V)
69	XSTATE	I	Clock status flag signal input from the digital audio interface receiver (IC1408)
70	DATA0	I	Audio data input from the digital audio interface receiver (IC1408)
71	XMODE	O	Reset signal output to the digital audio interface receiver (IC1408) “L”: active
72	CKSEL1	O	System clock select 1 output to the digital audio interface receiver (IC1408)
73	CLK	O	Clock signal output to the digital audio interface receiver (IC1408)
74	CE	O	Chip enable signal output to the digital audio interface receiver (IC1408)
75	DI	O	Data output to the digital audio interface receiver (IC1408)
76	DO	I	Data input from the digital audio interface receiver (IC1408)
77	VCC	—	Power supply terminal (+3.3V)
78	BST	O	Booster control signal output to the audio DSP2 (IC1601)
79	PM2	O	PLL initialize signal output to the audio DSP2 (IC1601)
80	XRST2	O	Reset signal output to the audio DSP2 (IC1601)
81	HACN2	I	Host acknowledge signal input from the audio DSP2(IC1601)
82	HCS2	O	Host chip select signal output to the audio DSP2 (IC1601)
83	GB9	I	Signal input from the audio DSP1 (IC1501)
84	BST1	O	Boot strap signal output to the audio DSP1 (IC1501)
85	HCS1	O	Host chip select signal output to the audio DSP1 (IC1501)
86	A1 IN	I	Audio bus input terminal (control A1)
87	A1 OUT	O	Audio bus output terminal (control A1)

Pin No.	Pin Name	I/O	Description
88	HACN1	I	Host acknowledge signal input from the audio DSP1(IC1501)
89	XRST1	O	Reset signal output to the audio DSP1 (IC1501)
90	PM1	O	PLL initialize signal output to the audio DSP1 (IC1501)
91	ADC : RST	O	Reset signal output to the A/D converter (IC1101)
92	DACINT	O	Reset signal output to the D/A converter (IC1201)
93	DA1LAT	O	Serial data latch pulse output to the D/A converter (IC1201)
94	(PG3) DACCLK	O	Serial data transfer clock signal output to the D/A converter (IC1201, 1202)
95	(PG4) DACDI	O	Serial data output to the D/A converter (IC1201, 1202)
96	(PG5) 2EXLOCK	O	External lock signal output to the audio DSP (IC1601)
97	VCC	—	Power supply terminal (+3.3V)
98	VSS	—	Ground terminal
99	EEPROM SDA	I/O	Two-way data bus with the EEPROM (IC1701)
100	EEPROM SCL	O	Serial data transfer clock signal output to the EEPROM (IC1701)
101	VSS	—	Ground terminal
102	HCLK	O	Host clock signal output to the audio DSP (IC1501, 1601)
103	HDIN	O	Host serial data output to the audio DSP (IC1501, 1601)
104	HDOUT2	I	Host serial data input from the audio DSP (IC1601)
105	CLK	O	OSD serial data transfer clock signal output to the select switch (IC307)
106	DATA	O	OSD serial data output to the select switch (IC307)
107	LAT	O	OSD serial data latch pulse output to the select switch (IC307)
108	DAIDO	I	Serial data input from the D/A converter (IC1201)
109	SOTI	O	UART signal output terminal Not used (fixed at "L")
110	SINI	I	UART signal input terminal Not used (fixed at "L")
111	CLK	O	Serial data transfer clock signal output to the FL display driver (IC1601)
112	DIN	O	Serial data output to the FL display driver (IC1601)
113	LAT	O	Serial data latch pulse output to the FL display driver (IC1601)
114	CLR	O	Clear signal output to the FL display driver (IC1601)
115	VOL IC LAT	O	Serial data latch pulse output to the electrical volume (IC401, 501, 601, 701)
116	SYSTEM MUTE	O	System muting control signal output terminal
117	AC MUTE	O	Audio muting control signal output to the poweramp (IC403, 503, 603)
118	PROTECTOR	I	Over load detection signal input from the protect circuit "L": protect detect
119	DA2LAT	O	Serial data latch pulse output to the A/D, D/A converter (IC1202)
120	CD DIRECT	O	CD direct relay drive signal output terminal "H": relay on
121	ANALOG DIGITAL	O	Analog/digital select signal output to the TC7WH157FU (IC1407) "L": analog, "H": digital
122	VCC	—	Power supply terminal (+3.3V)
123	A. DIRECT	O	MULT/2CH DIRECT select signal output terminal Not used (open)
124	NC	—	Not used (open)
125	NC	—	Not used (open)
126	DAVS	—	Ground terminal (for digital)
127	DAVC	—	Power supply terminal (+3.3V) (for digital)
128	AVCC	—	Power supply terminal (+3.3V) (for analog)
129	AVRH	—	Reference voltage input (+3.3V) terminal (for analog)
130	AVRL	—	Connect to ground (for analog)
131	AVSS	—	Ground terminal (for terminal)

Pin No.	Pin Name	I/O	Description
132	AD1	I	Key input terminal (A/D input) S1702, 1703, 1941 to 1945 (DIMMER, DISPLAY, ON SCREEN (DB1070), FM/AM, SHIFT, PRESET TUNING -/+)
133	AD2	I	Key input terminal (A/D input) S1911 to 1918 (EQUALIZER, STREAM INFO (DB870)/ 2ND ROOM (DB1070), TEST TONE, TUNING +/-, SLEEP (US, Canadian, E, Chinese models)/RDS/PTY (AEP, UK models) FM MODE, MEMORY)
134	AD3	I	Key input terminal (A/D input) S1901 to 1908 (ENTER, >, <, LEVEL, SUR, EQ, NAME, SET UP)
135	AD4	I	Key input terminal (A/D input) S1921 to 1925 (6.1CH DECODING, CINEMA STUDIO EX, DIGITAL CONCERT HALL, 2CH, A.F.D.)
136	AD5	I	Key input terminal (A/D input) S1801 to 1803, 1931 to 1934 (INPUT MODE, AUDIO SPLIT, MUTING, MODE -, NIGHT MODE, MULTI/2CH A.DIRECT, MODE +)
137	VERSION1	I	Version setting signal input terminal
138	VERSION2	I	Version setting signal input terminal
139	RDS SIGNAL	I	FM IF signal input from the tuner unit (AEP, UK models only)
140	VCC2	—	Power supply terminal (+3.3V)
141	BACKUP	—	Power supply terminal (+3.3V) (for back up)
142	GND	—	Ground terminal
143	OPEN	—	Not used (open)
144	VSS	—	Ground terminal

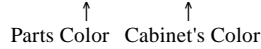
• VIDEO BOARD IC307 MB90089F-G-238-BND (OSD DRIVER)

Pin No.	Pin Name	I/O	Description
1	YIN	I	Y (luminance) signal input from the Y switch (IC752)
2	CIN	I	C (color) signal input from the C switch (IC750)
3	VIN	I	Composite video signal input from the video select (IC308)
4	AVCC	—	Power supply terminal (+5V) (for analog)
5	FSCO	O	Internal color burst phase display signal output terminal Not used (open)
6	VBLK	O	Vertical blanking timing signal output terminal Not used (open)
7	VCC	—	Power supply terminal (+5V)
8	EXS	I	External clock generator circuit for color burst (NTSC: 14.31818MHz, PAL: 17.734475MHz)
9	XS	O	Clock signal output terminal for color burst Not used (open)
10	HSYNC	O	Horizontal synchronizing signal output terminal (for test)
11	VSYNC	O	Vertical synchronizing signal output terminal (for test)
12	EXHSYN	I	External horizontal synchronizing signal input terminal Not used (open)
13	EXVSYN	I	External vertical synchronizing signal input terminal Not used (open)
14	VSS	—	Ground terminal
15	EXD	I	Dot clock generator connecting terminal for display
16	XD	O	Dot clock generator connecting terminal for display
17	VOB	O	Blanking signal output terminal Not used (open)
18	VOC2	O	color signal output terminal Not used (open)
19	VOC1	O	color signal output terminal Not used (open)
20	VOC0	O	color signal output terminal Not used (open)
21	TEST	I	Test signal input terminal “L”: test (normally: fixed at “H”)
22	SCLK	I	Serial data transfer shift clock signal input terminal
23	SIN	I	Serial data input terminal
24	CS	I	Chip select signal input terminal “L”: active
25	VOUT	O	Composite video signal output to the video buffer (IC305)
26	COUT	O	C (color) signal output to the video buffer (IC305)
27	YOUT	O	Y (luminance) signal output to the video buffer (IC305)
28	AVSS	—	Ground terminal (for analog)

SECTION 7 EXPLODED VIEWS

NOTE:

- XX and -X mean standardized parts, so they may have some difference from the original one.
- Color Indication of Appearance Parts
Example:
KNOB, BALANCE (WHITE) . . . (RED)



- Abbreviation
CH : Chinese model E3 : 240 V AC area in E model SP : Singapore model
CND : Canadian model KR : Korean model TW : Taiwan model
E2 : 120 V AC area in E model MY : Malaysia model

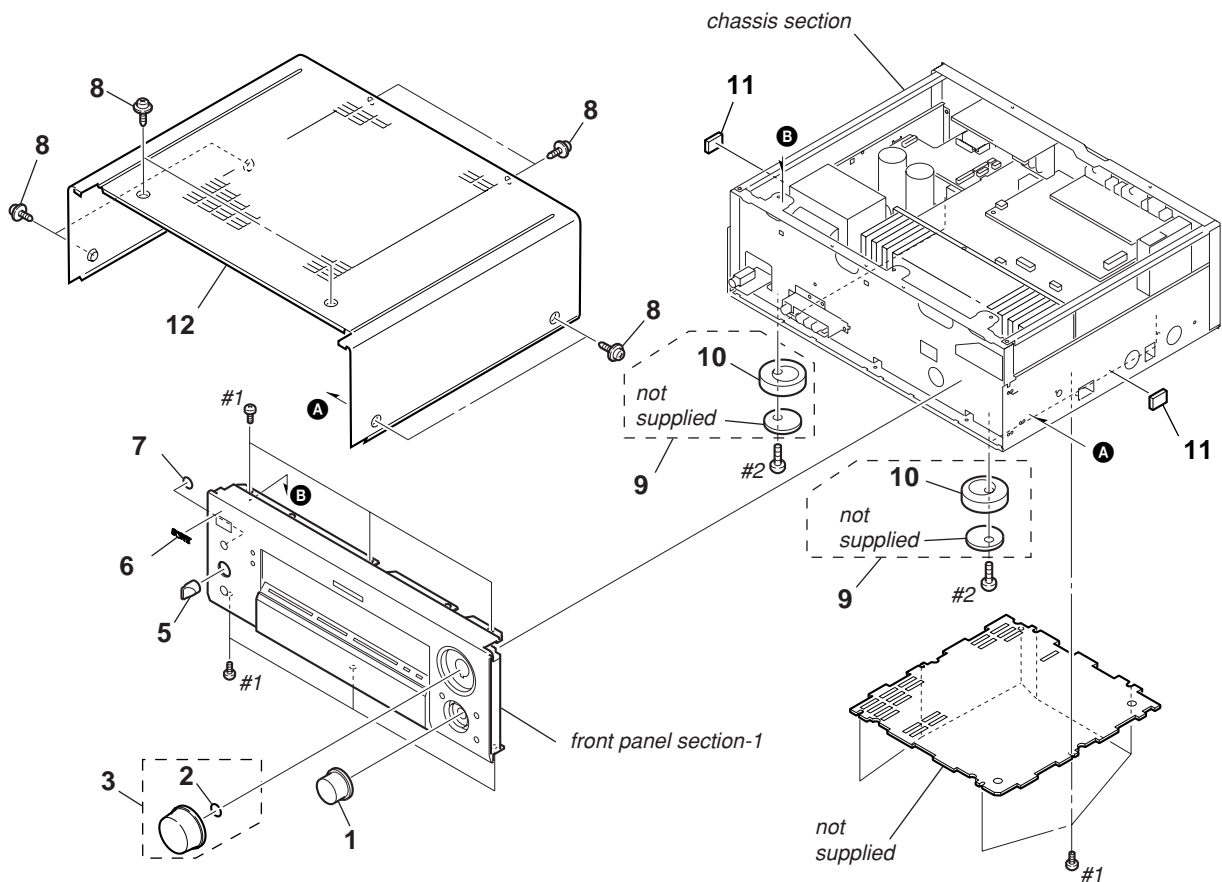
- Items marked "*" are not stocked since they are seldom required for routine service. Some delay should be anticipated when ordering these items.
- The mechanical parts with no reference number in the exploded views are not supplied.
- Hardware (# mark) list and accessories are given in the last of the electrical parts list.

The components identified by mark △ or dotted line with mark △ are critical for safety. Replace only with part number specified.

Les composants identifiés par une marque △ sont critiques pour la sécurité. Ne les remplacer que par une pièce portant le numéro spécifié.

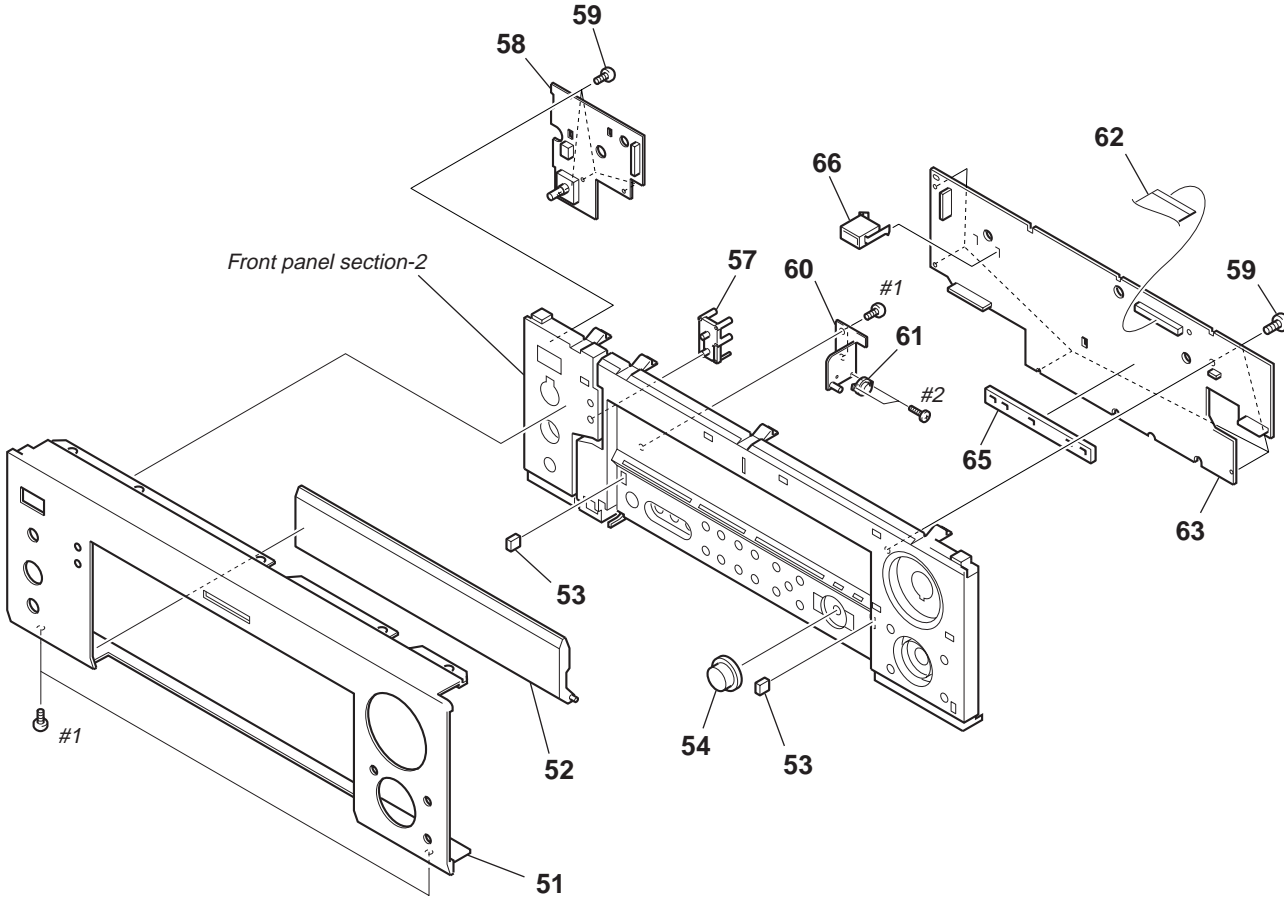
以阴影和 △ 标志来识别的零部件，在安全方面具有关键性。因此只能以规定号码的零部件来更换。

7-1. CASE SECTION



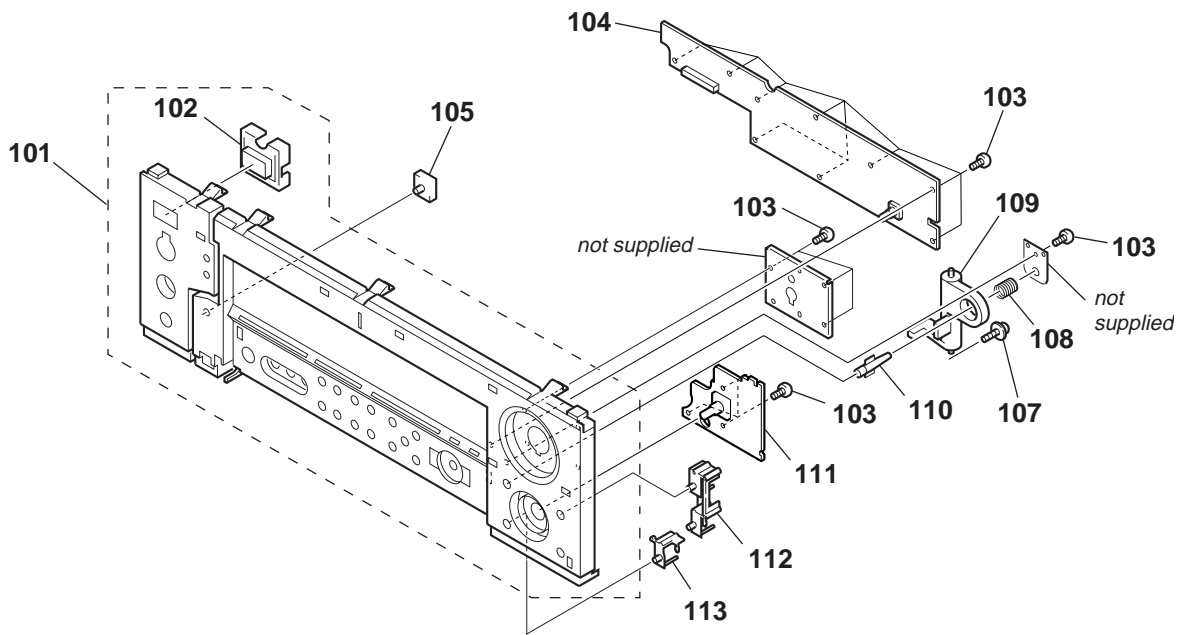
Ref. No.	Part No.	Description	Remark	Ref. No.	Part No.	Description	Remark
1	X-4948-601-1	KNOB (FUNC) ASSY (BLACK)		8	4-227-843-01	SCREW (TP), FLAT HEAD (BLACK)...(BLACK)	
1	X-4948-634-1	KNOB (FUNC) ASSY (GOLD)		8	4-227-843-11	SCREW (TP), FLAT HEAD (SILVER)...(SILVER, GOLD)	
1	X-4950-280-1	KNOB (FUNC) ASSY (SILVER)		9	X-4952-818-1	FOOT ASSY (F50180S) (US, CND)	
2	3-703-466-00	SPRING (6600)		9	X-4952-819-1	FOOT ASSY (F50180S) (EXCEPT US, CND/SILVER)	
3	X-4953-670-1	KNOB (VOL-E) ASSY (BLACK)		9	X-4952-820-1	FOOT ASSY (F50180S) (GOLD)	
3	X-4953-671-1	KNOB (VOL-E) ASSY (GOLD)		10	4-970-123-41	FOOT (F50180S) (US, CND)	
3	X-4953-672-1	KNOB (VOL-E) ASSY (SILVER)		10	4-970-123-51	FOOT (F50180S) (EXCEPT US, CND/SILVER)	
5	4-233-626-01	KNOB (F14B) (BLACK)		10	4-970-123-61	FOOT (F50180S) (GOLD)	
5	4-233-626-11	KNOB (F14B) (GOLD)		11	4-985-642-01	CUSHION	
5	4-233-626-21	KNOB (F14B) (SILVER)		* 12	X-4950-431-1	CASE ASSY (BLACK)	
6	4-942-568-41	EMBLEM (NO.5), SONY (BLACK)		* 12	X-4950-432-1	CASE ASSY (SILVER)	
6	4-942-568-51	EMBLEM (NO.5), SONY (GOLD)		* 12	X-4950-437-1	CASE ASSY (GOLD)	
6	4-942-568-61	EMBLEM (NO.5), SONY (SILVER)					
7	X-4953-000-1	WINDOW ASSY, REMOTE CONTROL					

7-2. FRONT PANEL SECTION-1



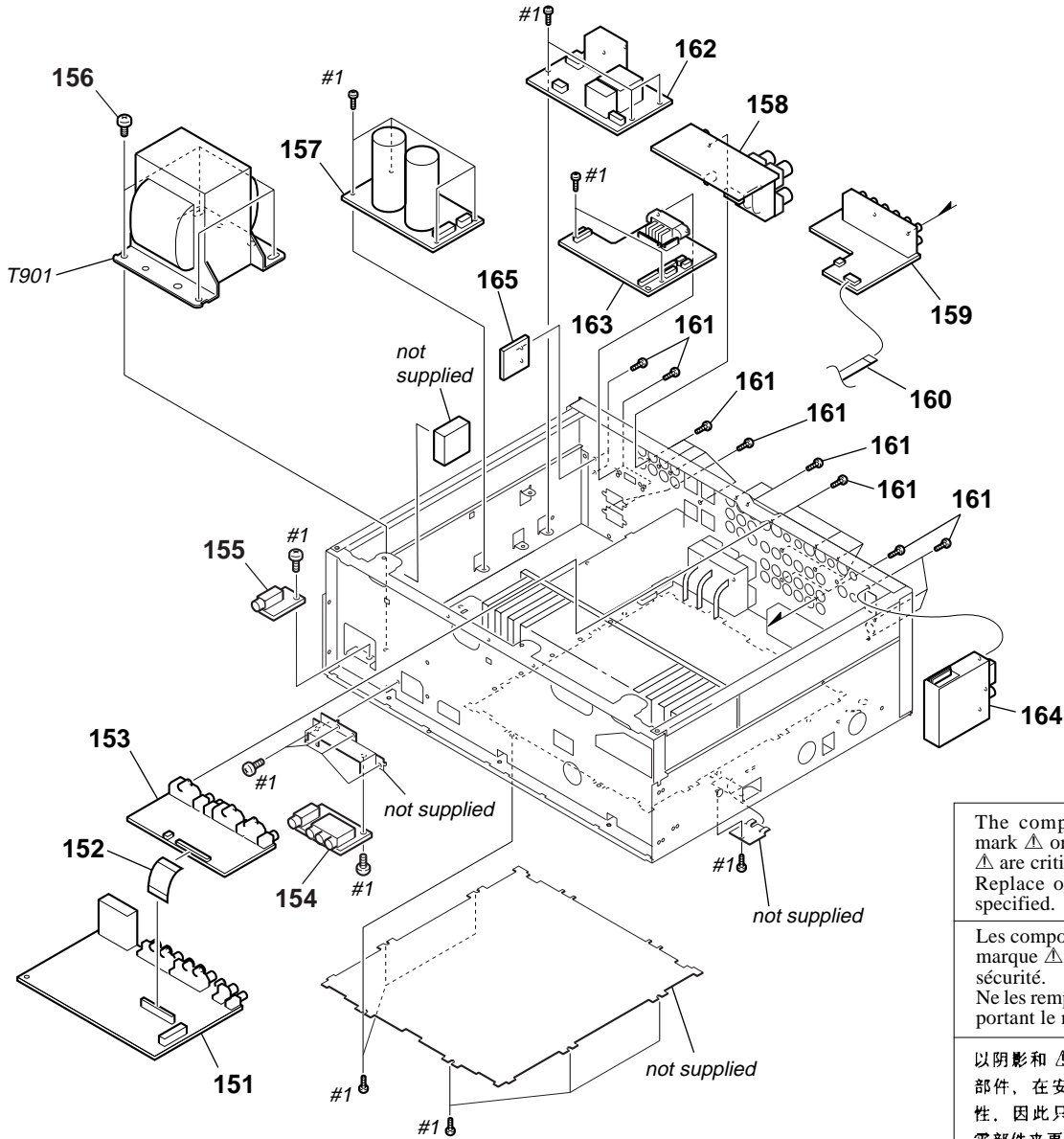
Ref. No.	Part No.	Description	Remark	Ref. No.	Part No.	Description	Remark
51	4-233-627-01	PANEL, FRONT (DB1070: CND, E2, E3, US)		54	4-217-729-01	KNOB (JOG) (BLACK)	
51	4-233-627-11	PANEL, FRONT (for BLACK) (DB1070: AEP, UK)		54	4-217-729-11	KNOB (JOG) (GOLD)	
51	4-233-627-21	PANEL, FRONT (for SILVER)		54	4-217-729-21	KNOB (JOG) (SILVER)	
		(DB1070: AEP, UK)		57	4-227-138-01	BUTTON (DISPLAY) (BLACK)	
51	4-233-627-31	PANEL, FRONT (CH, KR, MY, SP, TW)		57	4-227-138-11	BUTTON (DISPLAY) (GOLD)	
51	4-233-627-51	PANEL, FRONT (DB870: CND)					
51	4-233-627-61	PANEL, FRONT (for BLACK) (DB870: AEP, UK)		57	4-227-138-21	BUTTON (DISPLAY) (SILVER)	
51	4-233-627-71	PANEL, FRONT (for SILVER) (DB870: AEP, UK)		58	1-681-101-11	POWER BOARD	
52	A-2004-824-A	LID ASSY (for SILVER) (DB870: AEP, UK)		59	4-951-620-01	SCREW (2.6X8), +BVTP	
52	A-4412-934-A	LID ASSY (for BLACK) (DB870: AEP, CND, UK)		60	X-4952-753-1	BRACKET (DAMPER L) ASSY	
52	A-4412-938-A	LID ASSY (for BLACK)		61	3-973-975-31	DAMPER, OIL	
		(DB1070: AEP, CND, E2, E3, UK, US)		62	1-765-352-11	WIRE (FLAT TYPE) (31 CORE)	
52	A-4412-940-A	LID ASSY (CH, KR, MY, SP, TW)		63	A-4476-467-A	DISP BOARD, COMPLETE (DB870)	
52	A-4412-942-A	LID ASSY (for SILVER) (DB1070: AEP, UK)		63	A-4476-500-A	DISP BOARD, COMPLETE (DB1070)	
53	3-736-779-41	MAGNET (BLACK)		65	4-227-153-01	SHEET (LIGHT INTERCEPTION)	
53	3-736-779-71	MAGNET (SILVER)		66	4-233-625-01	HOLDER (6.1CH)	
53	3-736-779-81	MAGNET (GOLD)					

7-3. FRONT PANEL SECTION-2



Ref. No.	Part No.	Description	Remark	Ref. No.	Part No.	Description	Remark
101	X-4953-673-1	BASE ASSY, PANEL (DB1070: CND, E2, E3, US)		105	4-233-621-11	BUTTON (ON SCREEN) (GOLD) (DB1070)	
101	X-4953-674-1	BASE ASSY, PANEL (for BLACK) (DB1070: AEP, UK)		105	4-233-621-21	BUTTON (ON SCREEN) (SILVER)(DB1070)	
101	X-4953-675-1	BASE ASSY, PANEL (for SILVER) (DB1070: AEP, UK)		107	4-913-587-81	BLACKET, YOKE	
101	X-4953-676-1	BASE ASSY, PANEL (CH, KR, MY, SP, TW)		108	4-227-150-01	SPRING, COMPRESSION	
101	X-4953-677-1	BASE ASSY, PANEL (DB870: CND)		109	4-227-143-01	LEVER (OPEN) (BLACK)	
101	X-4953-678-1	BASE ASSY, PANEL (for BLACK) (DB870: AEP, UK)		109	4-227-143-11	LEVER (OPEN) (GOLD)	
101	X-4953-741-1	BASE ASSY, PANEL (for SILVER) (DB870: AEP, UK)		109	4-227-143-21	LEVER (OPEN) (SILVER)	
102	4-998-592-01	BUTTON (POWER) (BLACK)		110	4-227-142-01	BUTTON (OPEN) (BLACK)	
102	4-998-592-12	BUTTON (POWER) (GOLD)		110	4-227-142-11	BUTTON (OPEN) (GOLD)	
102	4-998-592-23	BUTTON (POWER) (SILVER)		110	4-227-142-21	BUTTON (OPEN) (SILVER)	
103	4-951-620-01	SCREW (2.6X8), +BVTP		111	1-681-100-11	MUTING BOARD	
104	A-4476-470-A	SW BOARD, COMPLETE (DB870)		112	X-4952-765-1	BUTTON (MUTING) ASSY (BLACK)	
104	A-4476-501-A	SW BOARD, COMPLETE (DB1070)		112	X-4952-766-1	BUTTON (MUTING) ASSY (GOLD)	
105	4-233-621-01	BUTTON (ON SCREEN) (BLACK) (DB1070)		112	X-4952-767-1	BUTTON (MUTING) ASSY (SILVER)	
				113	4-233-620-01	BUTTON (INPUT MODE) (BLACK)	
				113	4-233-620-11	BUTTON (INPUT MODE) (GOLD)	
				113	4-233-620-21	BUTTON (INPUT MODE) (SILVER)	

7-4. CHASSIS SECTION-1



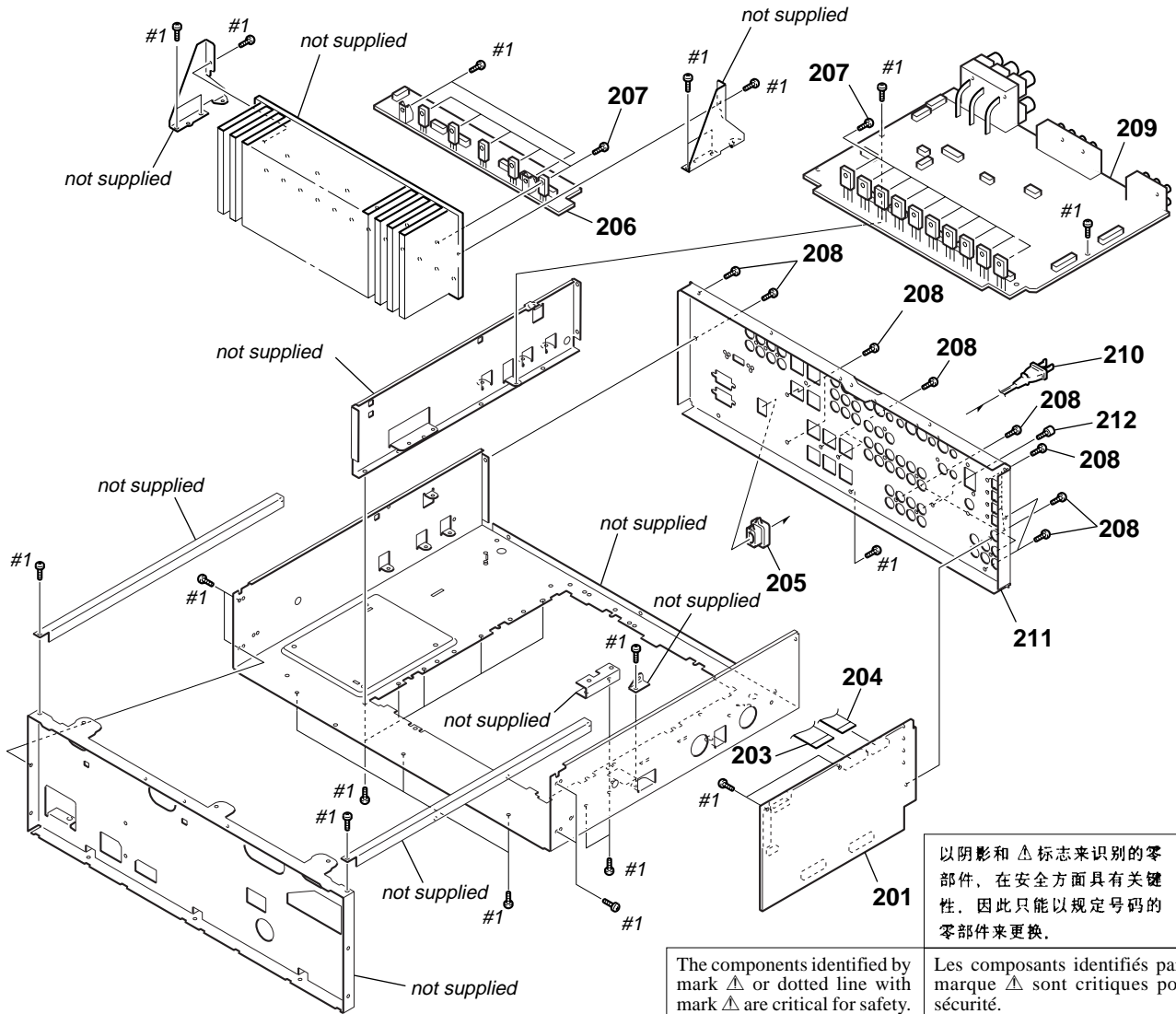
The components identified by mark ▲ or dotted line with mark ▲ are critical for safety. Replace only with part number specified.

Les composants identifiés par une marque ▲ sont critiques pour la sécurité. Ne les remplacer que par une pièce portant le numéro spécifié.

以阴影和 ▲标志来识别的零部件，在安全方面具有关键性。因此只能以规定号码的零部件来更换。

Ref. No.	Part No.	Description	Remark	Ref. No.	Part No.	Description	Remark
151	A-4476-492-A	VIDEO BOARD, COMPLETE (DB870: AEP, UK)		161	3-704-515-21	SCREW (BV/RING)	
151	A-4476-477-A	VIDEO BOARD, COMPLETE (DB870: CND)		162	1-681-091-11	AC BOARD	
151	A-4476-516-A	VIDEO BOARD, COMPLETE (DB1070: EXCEPT US, CND)		163	A-4726-835-A	DC 2 BOARD, COMPLETE (DB1070: CND)	
151	A-4476-505-A	VIDEO BOARD, COMPLETE (DB1070: CND, US)		163	A-4476-491-A	DC 2 BOARD, COMPLETE (DB870: AEP, UK)	
152	1-773-105-11	WIRE (FLAT TYPE) (19 CORE)		163	A-4476-476-A	DC 2 BOARD, COMPLETE (DB870: CND)	
153	A-4476-493-A	S-VIDEO BOARD, COMPLETE (DB870: AEP, UK)		163	A-4476-529-A	DC 2 BOARD, COMPLETE (DB1070: AEP, UK)	
153	A-4476-478-A	S-VIDEO BOARD, COMPLETE (DB870: CND)		163	A-4476-515-A	DC 2 BOARD, COMPLETE (CH, E2, E3, KR, MY, SP, TW)	
153	A-4476-517-A	S-VIDEO BOARD, COMPLETE (DB1070: EXCEPT US, CND)		163	A-4476-504-A	DC 2 BOARD, COMPLETE (US)	
153	A-4476-506-A	S-VIDEO BOARD, COMPLETE (DB1070: CND, US)		164	1-693-539-21	TUNER (DB870: CND/DB1070: CND, E2, E3, US)	
154	1-681-104-11	VIDEO 3 BOARD		164	1-693-540-21	TUNER (DB870: AEP, UK / DB1070: AEP, CH, KR, MY, SP, TW, UK)	
155	1-681-103-11	H.P BOARD		165	1-681-106-11	V.SWITCH BOARD (E2, E3)	
156	4-900-386-01	SCREW		▲ T901	1-437-324-11	TRANSFORMER, POWER (TW)	
157	1-681-092-11	DC1 BOARD		▲ T901	1-437-325-11	TRANSFORMER, POWER (CND, US)	
158	1-681-105-11	SP BOARD		▲ T901	1-437-327-11	TRANSFORMER, POWER (DB870: AEP, UK / DB1070: AEP, CH, KR, MY, SP, UK)	
159	1-681-096-11	VIDEO AU BOARD		▲ T901	1-437-328-11	TRANSFORMER, POWER (E2, E3)	
160	1-769-904-11	WIRE (FLAT TYPE) (9 CORE)					

7-5. CHASSIS SECTION-2



以阴影和 △ 标志来识别的零
部件，在安全方面具有关键
性。因此只能以规定号码的
零部件来更换。

The components identified by
mark △ or dotted line with
mark △ are critical for safety.
Replace only with part num-
ber specified.

Les composants identifiés par une
marque △ sont critiques pour la
sécurité.
Ne les remplacer que par une pièce
portant le numéro spécifié.

Ref. No.	Part No.	Description	Remark	Ref. No.	Part No.	Description	Remark
201	A-4476-496-A	DIGITAL BOARD, COMPLETE (DB870: AEP, UK)		209	A-4476-486-A	MAIN BOARD, COMPLETE (DB870: AEP, UK)	
201	A-4476-481-A	DIGITAL BOARD, COMPLETE (DB870: CND)		209	A-4476-485-A	MAIN BOARD, COMPLETE (DB870: CND)	
201	A-4476-530-A	DIGITAL BOARD, COMPLETE (DB1070: AEP, UK)		209	A-4476-527-A	MAIN BOARD, COMPLETE (DB1070: AEP, UK)	
201	A-4476-508-A	DIGITAL BOARD, COMPLETE (DB1070: CND, US)		209	A-4476-510-A	MAIN BOARD, COMPLETE (DB1070: CND)	
201	A-4476-519-A	DIGITAL BOARD, COMPLETE (CH, KR, MY, SP, TW)		209	A-4476-511-A	MAIN BOARD, COMPLETE (CH, E2, E3, KR, MY, SP, TW)	
201	A-4476-525-A	DIGITAL BOARD, COMPLETE (E2, E3)		209	A-4476-498-A	MAIN BOARD, COMPLETE (US)	
203	1-769-939-11	WIRE (FLAT TYPE) (11 CORE) (DB870: AEP, UK)		△ 210	1-769-079-21	CORD, POWER (KR)	
203	1-773-001-11	WIRE (FLAT TYPE) (15 CORE) (DB1070: EXCEPT US, CND)		△ 210	1-769-743-11	CORD, POWER (CND)	
203	1-773-143-11	WIRE (FLAT TYPE) (21 CORE) (CND, US)		△ 210	1-777-071-21	CORD, POWER (DB870: AEP, UK/ DB1070: AEP, E2, E3, MY, SP, TW, UK)	
204	1-773-001-11	WIRE (FLAT TYPE) (15 CORE) (DB870)		△ 210	1-782-464-21	CORD, POWER (CH)	
204	1-773-003-11	WIRE (FLAT TYPE) (15 CORE) (DB1070)		△ 210	1-783-820-11	CORD, POWER (US)	
* 205	3-703-244-00	BUSHING (2104), CORD		211	4-233-610-01	PANEL (B9), BACK (US)	
206	A-4476-487-A	BIAS BOARD, COMPLETE (DB870: AEP, UK)		211	4-233-610-11	PANEL (B9), BACK (DB1070: CND)	
206	A-4726-840-A	BIAS BOARD, COMPLETE (DB870: CND)		211	4-233-610-21	PANEL (B9), BACK (MY, SP)	
206	A-4476-528-A	BIAS BOARD, COMPLETE (DB1070: AEP, UK)		211	4-233-610-31	PANEL (B9), BACK (CH)	
206	A-4476-841-A	BIAS BOARD, COMPLETE (DB1070: CND)		211	4-233-610-51	PANEL (B9), BACK (DB1070: AEP, UK)	
206	A-4476-512-A	BIAS BOARD, COMPLETE (CH, E2, E3, KR, MY, SP, TW)		211	4-233-610-71	PANEL (B9), BACK (E2, E3)	
206	A-4476-499-A	BIAS BOARD, COMPLETE (US)		211	4-233-610-81	PANEL (B9), BACK (TW)	
207	3-905-609-11	SCREW (TRANSISTOR)		211	4-233-610-91	PANEL (B9), BACK (KR)	
208	3-704-515-21	SCREW (BV/RING)		211	4-233-630-11	PANEL (B8.E10), BACK (DB870: CND)	
				211	4-233-630-21	PANEL (B8.E10), BACK (DB870: AEP, UK)	
				212	4-947-010-01	SCREW, FEEDER FIXED	

SECTION 8
ELECTRICAL PARTS LIST

AC

NOTE:

- Due to standardization, replacements in the parts list may be different from the parts specified in the diagrams or the components used on the set.
- -XX and -X mean standardized parts, so they may have some difference from the original one.
- RESISTORS
All resistors are in ohms.
METAL: Metal-film resistor.
METAL OXIDE: Metal oxide-film resistor.
F: nonflammable
- Abbreviation
CH : Chinese model E3 : 240 V AC area in E model SP : Singapore model
CND : Canadian model KR : Korean model TW : Taiwan model
E2 : 120 V AC area in E model MY : Malaysia model

- Items marked “*” are not stocked since they are seldom required for routine service. Some delay should be anticipated when ordering these items.
- SEMICONDUCTORS
In each case, u: μ , for example:
uA. . : μ A. . uPA. . : μ PA. .
uPB. . : μ PB. . uPC. . : μ PC. .
uPD. . : μ PD. .
- CAPACITORS
uF: μ F
- COILS
uH: μ H

The components identified by mark Δ or dotted line with mark Δ are critical for safety. Replace only with part number specified.

Les composants identifiés par une marque Δ sont critiques pour la sécurité. Ne les remplacer que par une pièce portant le numéro spécifié.

以阴影和 Δ 标志来识别的零部件，在安全方面具有关键性，因此只能以规定号码的零部件来更换。

When indicating parts by reference number, please include the board.

Ref. No.	Part No.	Description	Remark
	1-681-091-11	AC BOARD *****	
	1-533-217-31	HOLDER, FUSE < CAPACITOR >	
C51	1-126-927-11	ELECT 2200uF 20% 10V	
C52	1-137-368-11	MYLAR 0.0047uF 5% 50V	
C53	1-137-465-11	MYLAR 0.056uF 5% 50V	
C54	1-126-767-11	ELECT 1000uF 20% 16V	
C55	1-126-959-11	ELECT 0.47uF 20% 50V	
C56	1-128-817-11	CERAMIC 470PF 5% 50V	
		< CONNECTOR >	
* CN1	1-565-792-11	PIN, CONNECTOR 2P	
CN2	1-564-321-00	PIN, CONNECTOR 2P	
CN3	1-568-106-11	PIN, CONNECTOR 4P (E2, E3)	
		< JACK >	
Δ CNJ1	1-251-718-11	OUTLET (2 GANG) , AC (AC OUTLET) (CND, E2, E3, TW, US)	
Δ CNJ1	1-785-285-11	OUTLET, AC (1P) (AC OUTLET) (AEP, MY, SP, UK)	
Δ CNJ1	1-815-076-11	OUTLET, AC 2P (AC OUTLET) (CH)	
Δ CNJ1	1-815-751-11	OUTLET, AC 1P (AC OUTLET) (KR)	
		< DIODE >	
D51	8-719-911-19	DIODE 1SS199-25	
D52	8-719-911-19	DIODE 1SS199-25	
D53	8-719-911-19	DIODE 1SS199-25	
D54	8-719-210-21	DIODE 11EQS04	
D55	8-719-210-21	DIODE 11EQS04	
D56	8-719-210-21	DIODE 11EQS04	
D57	8-719-210-21	DIODE 11EQS04	
D58	8-719-024-99	DIODE 11ES2-NTA2B	
		< TERMINAL >	
* EB1	1-537-738-21	TERMINAL, EARTH (CND, US)	
* EB51	1-537-738-21	TERMINAL, EARTH	
		< FUSE >	
Δ F1	1-532-504-51	FUSE (T4AL/250V) (AEP, CH, E2, E3, KR, SP, UK)	

Ref. No.	Part No.	Description	Remark
Δ F1	1-533-311-11	FUSE GLASS CYLINDRICAL (DIA.5) (8A/125V) (TW)	
Δ F1	1-533-312-11	FUSE GLASS CYLINDRICAL (DIA.5) (10A/125V) (CND, US)	
Δ F2	1-532-464-51	FUSE (T2.5AL/250V) (AEP, CH, KR, MY, SP, UK)	
Δ F2	1-533-312-11	FUSE GLASS CYLINDRICAL (DIA.5) (10A/125V) (CND, US)	
		< TRANSISTOR >	
Q51	8-729-119-78	TRANSISTOR 2SC2785-HFE	
Q52	8-729-201-53	TRANSISTOR 2SA1015-GR	
Q53	8-729-900-80	TRANSISTOR DTC124ES	
Q54	8-729-119-78	TRANSISTOR 2SC2785-HFE	
		< RESISTOR >	
R1	1-219-237-11	SOLID 3.3M 20% 1/2W (CND, US)	
R51	1-249-421-11	CARBON 2.2K 5% 1/4W	
R52	1-249-429-11	CARBON 10K 5% 1/4W	
R53	1-249-415-11	CARBON 680 5% 1/4W	
R54	1-249-437-11	CARBON 47K 5% 1/4W	
R55	1-249-435-11	CARBON 33K 5% 1/4W	
R56	1-249-429-11	CARBON 10K 5% 1/4W	
R57	1-249-429-11	CARBON 10K 5% 1/4W	
		< RELAY >	
Δ RY1	1-755-439-11	RELAY	
		< TRANSFORMER >	
Δ T2	1-437-311-11	TRANSFORMER, POWER (TW)	
Δ T2	1-437-312-11	TRANSFORMER, POWER (US, CND)	
Δ T2	1-437-313-11	TRANSFORMER, POWER (AEP, CH, KR, MY, SP, UK)	
Δ T2	1-437-314-11	TRANSFORMER, POWER (E2, E3)	

Ref. No.	Part No.	Description	Remark	Ref. No.	Part No.	Description	Remark
A-4476-487-A		BIAS BOARD, COMPLETE (DB870: AEP, UK)		C663	1-128-813-11	CERAMIC 220PF 5% 50V	
A-4476-499-A		BIAS BOARD, COMPLETE (US)					(DB1070)
A-4476-512-A		BIAS BOARD, COMPLETE (CH, E2, E3, KR, MY, SP, TW)		C665	1-136-153-00	FILM 0.01uF 5% 50V	
A-4476-528-A		BIAS BOARD, COMPLETE (DB1070: AEP, UK)		C666	1-119-824-11	ELECT MELF 10uF 20% 50V	
A-4476-840-A		BIAS BOARD, COMPLETE (DB870: CND)					(DB1070: CH, CND, E, US)
A-4476-841-A		BIAS BOARD, COMPLETE (DB1070: CND)		C666	1-135-743-11	ELECT 10uF 50V	
		*****					(DB1070: AEP, UK)
		< CAPACITOR >		C690	1-128-840-11	ELECT 47uF 20% 16V	
							(DB1070: CH, CND, E, US)
C413	1-128-813-11	CERAMIC 220PF 5% 50V		C690	1-135-708-11	ELECT 47uF 16V	
C415	1-136-153-00	FILM 0.01uF 5% 50V					(DB1070: AEP, UK)
C416	1-119-824-11	ELECT MELF 10uF 20% 50V		C805	1-135-655-11	ELECT 470uF 6.3V	
		(DB870/DB1070: CH, CND, E, US)					(DB1070: AEP, UK)
C416	1-135-743-11	ELECT 10uF 50V		C805	1-137-657-11	ELECT 470uF 20% 6.3V	
		(DB1070: AEP, UK)					(DB870/DB1070: CH, CND, E, US)
C440	1-128-840-11	ELECT 47uF 20% 16V		C806	1-128-805-11	CERAMIC 47PF 5% 50V	
		(DB870/DB1070: CH, CND, E, US)		C807	1-126-965-11	ELECT 22uF 20% 50V	
C440	1-135-708-11	ELECT 47uF 16V		C808	1-128-805-11	CERAMIC 47PF 5% 50V	
		(DB1070: AEP, UK)					< CONNECTOR >
C463	1-128-813-11	CERAMIC 220PF 5% 50V		CN401	1-784-923-11	PIN, CONNECTOR 7P	
C465	1-136-153-00	FILM 0.01uF 5% 50V		CN451	1-784-923-11	PIN, CONNECTOR 7P	
C466	1-119-824-11	ELECT MELF 10uF 20% 50V		CN501	1-784-923-11	PIN, CONNECTOR 7P	
		(DB870/DB1070: CH, CND, E, US)		CN551	1-784-923-11	PIN, CONNECTOR 7P	
C466	1-135-743-11	ELECT 10uF 50V		CN601	1-784-923-11	PIN, CONNECTOR 7P	
		(DB1070: AEP, UK)		CN651	1-784-923-11	PIN, CONNECTOR 7P	
C490	1-128-840-11	ELECT 47uF 20% 16V		CN809	1-779-977-11	PIN, CONNECTOR 6P	
		(DB870/DB1070: CH, CND, E, US)					< DIODE >
C490	1-135-708-11	ELECT 47uF 16V		D405	8-719-911-19	DIODE 1SS199-25	
		(DB1070: AEP, UK)		D406	8-719-911-19	DIODE 1SS199-25	
C513	1-128-813-11	CERAMIC 220PF 5% 50V		D455	8-719-911-19	DIODE 1SS199-25	
C515	1-136-153-00	FILM 0.01uF 5% 50V		D456	8-719-911-19	DIODE 1SS199-25	
C516	1-119-824-11	ELECT MELF 10uF 20% 50V		D505	8-719-911-19	DIODE 1SS199-25	
		(DB870/DB1070: CH, CND, E, US)		D506	8-719-911-19	DIODE 1SS199-25	
C516	1-135-743-11	ELECT 10uF 50V		D555	8-719-911-19	DIODE 1SS199-25	
		(DB1070: AEP, UK)		D556	8-719-911-19	DIODE 1SS199-25	
C540	1-128-840-11	ELECT 47uF 20% 16V		D605	8-719-911-19	DIODE 1SS199-25	
		(DB870/DB1070: CH, CND, E, US)		D606	8-719-911-19	DIODE 1SS199-25	
C540	1-135-708-11	ELECT 47uF 16V					
		(DB1070: AEP, UK)		D655	8-719-911-19	DIODE 1SS199-25 (DB1070)	
C563	1-128-813-11	CERAMIC 220PF 5% 50V		D656	8-719-911-19	DIODE 1SS199-25 (DB1070)	
C565	1-136-153-00	FILM 0.01uF 5% 50V		D805	8-719-911-19	DIODE 1SS199-25	
C566	1-119-824-11	ELECT MELF 10uF 20% 50V		D806	8-719-911-19	DIODE 1SS199-25	
		(DB870/DB1070: CH, CND, E, US)		D807	8-719-911-19	DIODE 1SS199-25	
C566	1-135-743-11	ELECT 10uF 50V					
		(DB1070: AEP, UK)		D808	8-719-911-19	DIODE 1SS199-25	
C590	1-128-840-11	ELECT 47uF 20% 16V		D817	8-719-911-19	DIODE 1SS199-25	
		(DB870/DB1070: CH, CND, E, US)					< IC >
C590	1-135-708-11	ELECT 47uF 16V		IC803	8-759-636-74	IC M5218AP-22	
		(DB1070: AEP, UK)					< TRANSISTOR >
C613	1-128-813-11	CERAMIC 220PF 5% 50V		Q404	8-729-140-82	TRANSISTOR 2SA988-PAFAEA	
C615	1-136-153-00	FILM 0.01uF 5% 50V		Q405	8-729-140-82	TRANSISTOR 2SA988-PAFAEA	
C616	1-119-824-11	ELECT MELF 10uF 20% 50V		Q406	8-729-281-53	TRANSISTOR 2SC1815-GR	
		(DB870/DB1070: CH, CND, E, US)		Q440	8-729-026-08	TRANSISTOR 2SC4495	
C616	1-135-743-11	ELECT 10uF 50V		Q454	8-729-140-82	TRANSISTOR 2SA988-PAFAEA	
		(DB1070: AEP, UK)					
C640	1-128-840-11	ELECT 47uF 20% 16V		Q455	8-729-140-82	TRANSISTOR 2SA988-PAFAEA	
		(DB870/DB1070: CH, CND, E, US)					
C640	1-135-708-11	ELECT 47uF 16V					
		(DB1070: AEP, UK)					

BIAS

Ref. No.	Part No.	Description	Remark	Ref. No.	Part No.	Description	Remark
Q456	8-729-281-53	TRANSISTOR	2SC1815-GR	R477	1-249-433-11	CARBON	22K 5% 1/4W
Q490	8-729-026-08	TRANSISTOR	2SC4495	R490	1-249-425-11	CARBON	4.7K 5% 1/4W
Q504	8-729-140-82	TRANSISTOR	2SA988-PAFAEA				
Q505	8-729-140-82	TRANSISTOR	2SA988-PAFAEA	R491	1-249-417-11	CARBON	1K 5% 1/4W
				R492	1-249-429-11	CARBON	10K 5% 1/4W
Q506	8-729-281-53	TRANSISTOR	2SC1815-GR	R515	1-249-425-11	CARBON	4.7K 5% 1/4W
Q540	8-729-026-08	TRANSISTOR	2SC4495	△ R516	1-240-855-11	CARBON	6.2K 5% 1/4W F
Q554	8-729-140-82	TRANSISTOR	2SA988-PAFAEA	R518	1-249-420-11	CARBON	1.8K 5% 1/4W
Q555	8-729-140-82	TRANSISTOR	2SA988-PAFAEA				
Q556	8-729-281-53	TRANSISTOR	2SC1815-GR	R519	1-249-439-11	CARBON	68K 5% 1/4W
				R520	1-249-431-11	CARBON	15K 5% 1/4W
Q590	8-729-026-08	TRANSISTOR	2SC4495	R521	1-247-866-11	CARBON	30K 5% 1/4W
Q604	8-729-140-82	TRANSISTOR	2SA988-PAFAEA	R522	1-247-843-11	CARBON	3.3K 5% 1/4W
Q605	8-729-140-82	TRANSISTOR	2SA988-PAFAEA				(AEP, UK)
Q606	8-729-281-53	TRANSISTOR	2SC1815-GR	R522	1-249-425-11	CARBON	4.7K 5% 1/4W
Q640	8-729-026-08	TRANSISTOR	2SC4495				(CND, US)
				R522	1-249-429-11	CARBON	10K 5% 1/4W
Q654	8-729-140-82	TRANSISTOR	2SA988-PAFAEA (DB1070)				(CH, E)
Q655	8-729-140-82	TRANSISTOR	2SA988-PAFAEA (DB1070)	R524	1-249-431-11	CARBON	15K 5% 1/4W
Q656	8-729-281-53	TRANSISTOR	2SC1815-GR (DB1070)	R525	1-249-437-11	CARBON	47K 5% 1/4W
Q690	8-729-026-08	TRANSISTOR	2SC4495 (DB1070)	R526	1-249-437-11	CARBON	47K 5% 1/4W
Q801	8-729-140-82	TRANSISTOR	2SA988-PAFAEA	R527	1-249-433-11	CARBON	22K 5% 1/4W
Q802	8-729-119-78	TRANSISTOR	2SC2785-HFE	R540	1-249-425-11	CARBON	4.7K 5% 1/4W
Q803	8-729-140-82	TRANSISTOR	2SA988-PAFAEA	R541	1-249-417-11	CARBON	1K 5% 1/4W
Q804	8-729-900-36	TRANSISTOR	DTC124ES	R542	1-249-429-11	CARBON	10K 5% 1/4W
Q805	8-729-140-84	TRANSISTOR	2SC1841-PAFAEA	R565	1-249-425-11	CARBON	4.7K 5% 1/4W
				△ R566	1-240-855-11	CARBON	6.2K 5% 1/4W F
		< RESISTOR >					
R415	1-249-425-11	CARBON	4.7K 5% 1/4W	R568	1-249-420-11	CARBON	1.8K 5% 1/4W
△ R416	1-240-855-11	CARBON	6.2K 5% 1/4W F	R569	1-249-431-11	CARBON	15K 5% 1/4W
R418	1-249-420-11	CARBON	1.8K 5% 1/4W	R570	1-249-439-11	CARBON	68K 5% 1/4W
R419	1-249-431-11	CARBON	15K 5% 1/4W	R571	1-247-866-11	CARBON	30K 5% 1/4W
R420	1-249-439-11	CARBON	68K 5% 1/4W	R572	1-247-843-11	CARBON	3.3K 5% 1/4W
							(AEP, UK)
R421	1-247-866-11	CARBON	30K 5% 1/4W				
R422	1-247-843-11	CARBON	3.3K 5% 1/4W	R572	1-249-425-11	CARBON	4.7K 5% 1/4W
			(AEP, UK)				(CND, US)
R422	1-249-425-11	CARBON	4.7K 5% 1/4W	R572	1-249-429-11	CARBON	10K 5% 1/4W
			(CND, US)				(CH, E)
R422	1-249-429-11	CARBON	10K 5% 1/4W	R574	1-249-431-11	CARBON	15K 5% 1/4W
			(CH, E)	R575	1-249-437-11	CARBON	47K 5% 1/4W
R424	1-249-431-11	CARBON	15K 5% 1/4W	R576	1-249-437-11	CARBON	47K 5% 1/4W
R425	1-249-437-11	CARBON	47K 5% 1/4W	R577	1-249-433-11	CARBON	22K 5% 1/4W
R426	1-249-437-11	CARBON	47K 5% 1/4W	R590	1-249-425-11	CARBON	4.7K 5% 1/4W
R427	1-249-433-11	CARBON	22K 5% 1/4W	R591	1-249-417-11	CARBON	1K 5% 1/4W
R440	1-249-425-11	CARBON	4.7K 5% 1/4W	R592	1-249-429-11	CARBON	10K 5% 1/4W
R441	1-249-417-11	CARBON	1K 5% 1/4W	R615	1-249-425-11	CARBON	4.7K 5% 1/4W
R442	1-249-429-11	CARBON	10K 5% 1/4W	△ R616	1-240-855-11	CARBON	6.2K 5% 1/4W F
R465	1-249-425-11	CARBON	4.7K 5% 1/4W	R618	1-249-420-11	CARBON	1.8K 5% 1/4W
△ R466	1-240-855-11	CARBON	6.2K 5% 1/4W F	R619	1-249-431-11	CARBON	15K 5% 1/4W
R468	1-249-420-11	CARBON	1.8K 5% 1/4W	R620	1-249-439-11	CARBON	68K 5% 1/4W
R469	1-249-431-11	CARBON	15K 5% 1/4W	R621	1-247-866-11	CARBON	30K 5% 1/4W
R470	1-249-439-11	CARBON	68K 5% 1/4W	R622	1-247-843-11	CARBON	3.3K 5% 1/4W
R471	1-247-866-11	CARBON	30K 5% 1/4W				(AEP, UK)
R472	1-247-843-11	CARBON	3.3K 5% 1/4W	R622	1-249-425-11	CARBON	4.7K 5% 1/4W
			(AEP, UK)				(CND, US)
R472	1-249-425-11	CARBON	4.7K 5% 1/4W	R622	1-249-429-11	CARBON	10K 5% 1/4W
			(CND, US)				(CH, E)
R472	1-249-429-11	CARBON	10K 5% 1/4W	R624	1-249-431-11	CARBON	15K 5% 1/4W
			(CH, E)	R625	1-249-437-11	CARBON	47K 5% 1/4W
R474	1-249-431-11	CARBON	15K 5% 1/4W	R626	1-249-437-11	CARBON	47K 5% 1/4W
R475	1-249-437-11	CARBON	47K 5% 1/4W	R627	1-249-433-11	CARBON	22K 5% 1/4W
R476	1-249-437-11	CARBON	47K 5% 1/4W	R640	1-249-425-11	CARBON	4.7K 5% 1/4W

The components identified by mark △ or dotted line with mark △ are critical for safety. Replace only with part number specified.

Les composants identifiés par une marque △ sont critiques pour la sécurité. Ne les remplacer que par une pièce portant le numéro spécifié.

以阴影和 △ 标志来识别的零部件，在安全方面具有关键性。因此只能以规定号码的零部件来更换。

BIAS **DC1** **DC2**

Ref. No.	Part No.	Description	Remark	Ref. No.	Part No.	Description	Remark
R641	1-249-417-11	CARBON	1K 5% 1/4W	C916	1-137-666-12	ELECT 15000uF 20% 71V	(DB1070)
R642	1-249-429-11	CARBON	10K 5% 1/4W	C917	1-137-350-11	MYLAR 0.015uF 10% 100V	(AEP, CH, E, UK)
R665	1-249-425-11	CARBON	4.7K 5% 1/4W (DB1070)	C917	1-137-419-11	MYLAR 0.033uF 10% 100V	(CND, US)
△R666	1-240-855-11	CARBON	6.2K 5% 1/4W F (DB1070)	C918	1-137-350-11	MYLAR 0.015uF 10% 100V	(AEP, CH, E, UK)
R668	1-249-420-11	CARBON	1.8K 5% 1/4W (DB1070)	C918	1-137-419-11	MYLAR 0.033uF 10% 100V	(CND, US)
R669	1-249-431-11	CARBON	15K 5% 1/4W (DB1070)	C919	1-104-999-11	MYLAR 0.1uF 10% 200V	(AEP, CH, E, UK)
R670	1-249-439-11	CARBON	68K 5% 1/4W (DB1070)			< DIODE >	
R671	1-247-866-11	CARBON	30K 5% 1/4W (DB1070)	D914	8-719-072-05	DIODE RBV-602LF-A	
R672	1-247-843-11	CARBON	3.3K 5% 1/4W (DB1070: AEP, UK)			< FUSE >	
R672	1-249-425-11	CARBON	4.7K 5% 1/4W (DB1070: CND, US)	△F905	1-533-311-11	FUSE GLASS CYLINDRICAL (DIA.5) (8A/125V)	(CND, US)
R672	1-249-429-11	CARBON	10K 5% 1/4W (DB1070: CH, E)	△F906	1-533-311-11	FUSE GLASS CYLINDRICAL (DIA.5) (8A/125V)	(CND, US)
R674	1-249-431-11	CARBON	15K 5% 1/4W (DB1070)			< RESISTOR >	
R675	1-249-437-11	CARBON	47K 5% 1/4W (DB1070)	△R913	1-249-407-11	CARBON 150 5% 1/4W F	(AEP, CH, E, UK)
R676	1-249-437-11	CARBON	47K 5% 1/4W (DB1070)	*****			
R677	1-249-433-11	CARBON	22K 5% 1/4W (DB1070)		A-4476-476-A	DC2 BOARD, COMPLETE (DB870: CND)	
R690	1-249-425-11	CARBON	4.7K 5% 1/4W (DB1070)		A-4476-491-A	DC2 BOARD, COMPLETE (DB870: AEP, UK)	
R691	1-249-417-11	CARBON	1K 5% 1/4W (DB1070)		A-4476-504-A	DC2 BOARD, COMPLETE (US)	
R692	1-249-429-11	CARBON	10K 5% 1/4W (DB1070)		A-4476-515-A	DC2 BOARD, COMPLETE (CH, E2, E3, KR, MY, SP, TW)	
R801	1-249-433-11	CARBON	22K 5% 1/4W		A-4476-529-A	DC2 BOARD, COMPLETE (DB1070: AEP, UK)	
R802	1-249-417-11	CARBON	1K 5% 1/4W		A-4726-835-A	DC2 BOARD, COMPLETE (DB1070: CND)	
R803	1-249-433-11	CARBON	22K 5% 1/4W (DB870)		1-533-217-31	HOLDER, FUSE	
R803	1-249-435-11	CARBON	33K 5% 1/4W (DB1070)			< CAPACITOR >	
R804	1-249-429-11	CARBON	10K 5% 1/4W	C901	1-104-660-11	ELECT 47uF 20% 16V	
R805	1-249-429-11	CARBON	10K 5% 1/4W	C902	1-127-732-51	ELECT MELF 2200uF 20% 35V	(DB870/DB1070: CH, CND, E, US)
R806	1-249-436-11	CARBON	39K 5% 1/4W	C902	1-135-781-51	ELECT 2200uF 35V	(DB1070: AEP, UK)
R807	1-249-427-11	CARBON	6.8K 5% 1/4W	C903	1-127-731-51	ELECT MELF 1000uF 20% 35V	(DB870/DB1070: CH, CND, E, US)
R819	1-249-429-11	CARBON	10K 5% 1/4W	C903	1-135-780-51	ELECT 1000uF 35V	(DB1070: AEP, UK)
R857	1-249-429-11	CARBON	10K 5% 1/4W				
R858	1-247-895-00	CARBON	470K 5% 1/4W	C904	1-126-967-11	ELECT 47uF 20% 50V	
R863	1-249-433-11	CARBON	22K 5% 1/4W	C905	1-104-660-11	ELECT 47uF 20% 16V	
*****				C906	1-126-967-11	ELECT 47uF 20% 50V	
	1-681-092-11	DC1 BOARD	*****	C907	1-127-723-51	ELECT MELF 4700uF 20% 16V	(DB870/DB1070: CH, CND, E, US)
	1-533-217-31	HOLDER, FUSE (CND, US)		C907	1-135-696-11	ELECT 4700uF 16V	(DB1070: AEP, UK)
		< CAPACITOR >		C908	1-126-767-11	ELECT 1000uF 20% 16V	
C915	1-125-895-11	ELECT	12000uF 20% 71V (DB870)	C909	1-128-554-11	ELECT 330uF 20% 63V	
C915	1-137-666-12	ELECT	15000uF 20% 71V (DB1070)	C912	1-104-660-11	ELECT 47uF 20% 16V	
C916	1-125-895-11	ELECT	12000uF 20% 71V (DB870)				

The components identified by mark △ or dotted line with mark △ are critical for safety. Replace only with part number specified.	Les composants identifiés par une marque △ sont critiques pour la sécurité. Ne les remplacer que par une pièce portant le numéro spécifié.	以阴影和 △标志来识别的零部件，在安全方面具有关键性。因此只能以规定号码的零部件来更换。
--	--	--

STR-DB870/DB1070

Ver 1.4

DC2 DIGITAL

Ref. No.	Part No.	Description	Remark
< CONNECTOR >			
CN904	1-784-922-11	PIN, CONNECTOR 5P	
CN905	1-785-101-11	PIN, CONNECTOR 3P	
CN906	1-691-768-11	PLUG (MICRO CONNECTOR) 6P	
CN907	1-564-506-11	PLUG, CONNECTOR 3P	
CN908	1-564-506-21	PLUG, CONNECTOR 3P	
CN909	1-785-103-11	PIN, CONNECTOR 5P	
< DIODE >			
D901	8-719-109-89	DIODE RD5.6ESB2	
D902	8-719-983-95	DIODE MTZJ-T-72-39	
D903	8-719-024-99	DIODE 11ES2-NTA2B	
D904	8-719-024-99	DIODE 11ES2-NTA2B	
D905	8-719-024-99	DIODE 11ES2-NTA2B	
D906	8-719-024-99	DIODE 11ES2-NTA2B	
D907	8-719-118-63	DIODE RD5.6F-T7B2	
D908	8-719-510-53	DIODE D4SB60L	
D912	8-719-024-99	DIODE 11ES2-NTA2B	
D913	8-719-024-99	DIODE 11ES2-NTA2B	
< FUSE >			
△ F903	1-532-504-51	FUSE (4A/250V) (EXPECT US, CND)	
△ F903	1-533-419-11	FUSE (4A/125V) (US, CND)	
△ F904	1-532-504-51	FUSE (4A/250V) (EXPECT US, CND)	
△ F904	1-533-419-11	FUSE (4A/125V) (US, CND)	
< TRANSISTOR >			
Q902	8-729-041-38	TRANSISTOR 2SB1241TV2Q	
Q903	8-729-051-94	TRANSISTOR 2SD1863TV2	
Q904	8-729-119-76	TRANSISTOR 2SA1115-EF	
Q905	8-729-119-76	TRANSISTOR 2SA1115-EF	
< RESISTOR >			
R902	1-249-433-11	CARBON 22K 5% 1/4W	
R903	1-249-421-11	CARBON 2.2K 5% 1/4W	
R904	1-249-429-11	CARBON 10K 5% 1/4W	
R905	1-249-429-11	CARBON 10K 5% 1/4W	
R906	1-249-421-11	CARBON 2.2K 5% 1/4W	
R908	1-249-429-11	CARBON 10K 5% 1/4W	
△ R909	1-212-974-00	RES, FUSE 47 5% 1/2W (CND)	
△ R909	1-249-385-11	CARBON 2.2 5% 1/6W F (EXCEPT CND)	
△ R910	1-212-974-00	RES, FUSE 47 5% 1/2W (CND)	
△ R910	1-249-385-11	CARBON 2.2 5% 1/6W F (EXCEPT CND)	
△ R911	1-216-349-00	METAL OXIDE 1 5% 1W F	
△ R912	1-216-349-00	METAL OXIDE 1 5% 1W F	
< SWITCH >			
△ S901	1-771-876-11	SWITCH, POWER (IMPEDANCE SELECTOR)	

Ref. No.	Part No.	Description	Remark
	A-4476-481-A	DIGITAL BOARD, COMPLETE (DB870: CND)	
	A-4476-496-A	DIGITAL BOARD, COMPLETE (DB870: AEP, UK)	
	A-4476-508-A	DIGITAL BOARD, COMPLETE (DB1070: CND, US)	
	A-4476-519-A	DIGITAL BOARD, COMPLETE (CH, KR, MY, SP, TW)	
	A-4476-525-A	DIGITAL BOARD, COMPLETE(E2, E3)	
	A-4476-530-A	DIGITAL BOARD, COMPLETE (DB1070: AEP, UK)	

*	3-309-144-21	HEAT SINK	
	7-685-872-09	SCREW +BVTT 3X8 (S)	
< CAPACITOR >			
C1101	1-165-319-11	CERAMIC CHIP 0.1uF 50V	
C1102	1-128-840-11	ELECT 47uF 20% 16V (DB870/DB1070: CH, CND, E, US)	
C1102	1-135-708-11	ELECT 47uF 16V (DB1070: AEP, UK)	
C1103	1-119-824-11	ELECT MELF 10uF 20% 50V (DB870/DB1070: CH, CND, E, US)	
C1103	1-135-743-11	ELECT 10uF 50V (DB1070: AEP, UK)	
C1104	1-119-823-11	ELECT 4.7uF 20% 50V (DB870/DB1070: CH, CND, E, US)	
C1104	1-135-742-11	ELECT 4.7uF 50V (DB1070: AEP, UK)	
C1105	1-163-133-00	CERAMIC CHIP 470PF 5% 50V	
C1106	1-119-823-11	ELECT 4.7uF 20% 50V (DB870/DB1070: CH, CND, E, US)	
C1106	1-135-742-11	ELECT 4.7uF 50V (DB1070: AEP, UK)	
C1107	1-119-824-11	ELECT MELF 10uF 20% 50V (DB870/DB1070: CH, CND, E, US)	
C1107	1-135-743-11	ELECT 10uF 50V (DB1070: AEP, UK)	
C1108	1-163-133-00	CERAMIC CHIP 470PF 5% 50V	
C1109	1-128-840-11	ELECT 47uF 20% 16V (DB870/DB1070: CH, CND, E, US)	
C1109	1-135-708-11	ELECT 47uF 16V (DB1070: AEP, UK)	
C1110	1-165-319-11	CERAMIC CHIP 0.1uF 50V	
C1112	1-165-319-11	CERAMIC CHIP 0.1uF 50V	
C1113	1-165-319-11	CERAMIC CHIP 0.1uF 50V	
C1114	1-163-251-11	CERAMIC CHIP 100PF 5% 50V	
C1115	1-163-251-11	CERAMIC CHIP 100PF 5% 50V	
C1121	1-128-858-11	ELECT 22uF 20% 50V (DB870/DB1070: CH, CND, E, US)	
C1121	1-135-744-11	ELECT 22uF 50V (DB1070: AEP, UK)	
C1131	1-128-858-11	ELECT 22uF 20% 50V (DB870/DB1070: CH, CND, E, US)	
C1131	1-135-744-11	ELECT 22uF 50V (DB1070: AEP, UK)	
C1201	1-128-846-11	ELECT 330uF 20% 25V (DB870/DB1070: CH, CND, E, US)	
C1201	1-135-683-11	ELECT 330uF 25V (DB1070: AEP, UK)	
C1202	1-165-319-11	CERAMIC CHIP 0.1uF 50V	
C1203	1-165-319-11	CERAMIC CHIP 0.1uF 50V	

The components identified by mark △ or dotted line with mark △ are critical for safety. Replace only with part number specified.	Les composants identifiés par une marque △ sont critiques pour la sécurité. Ne les remplacer que par une pièce portant le numéro spécifié.	以阴影和 △ 标志来识别的零部件，在安全方面具有关键性。因此只能以规定号码的零部件来更换。
--	--	---

DIGITAL

Ref. No.	Part No.	Description	Remark	Ref. No.	Part No.	Description	Remark
C1204	1-127-719-11	ELECT MELF	220uF 20% 16V (DB870/DB1070: CH, CND, E, US)	C1252	1-163-012-00	CERAMIC CHIP	0.0018uF 5% 50V
C1204	1-135-710-11	ELECT	220uF 16V (DB1070: AEP, UK)	C1253	1-163-257-11	CERAMIC CHIP	180PF 5% 50V
C1205	1-119-824-11	ELECT MELF	10uF 20% 50V (DB1070: AEP, CH, E, UK)	C1254	1-128-858-11	ELECT	22uF 20% 50V (DB870/DB1070: CH, CND, E, US)
C1205	1-135-743-11	ELECT	10uF 50V (DB1070: AEP, UK)	C1254	1-135-744-11	ELECT	22uF 50V (DB1070: AEP, UK)
C1206	1-165-319-11	CERAMIC CHIP	0.1uF 50V (DB1070)	C1261	1-128-858-11	ELECT	22uF 20% 50V (DB870/DB1070: CH, CND, E, US)
C1207	1-119-824-11	ELECT MELF	10uF 20% 50V (DB870/DB1070: CH, CND, E, US)	C1261	1-135-744-11	ELECT	22uF 50V (DB1070: AEP, UK)
C1207	1-135-743-11	ELECT	10uF 50V (DB1070: AEP, UK)	C1262	1-163-012-00	CERAMIC CHIP	0.0018uF 5% 50V
C1208	1-119-824-11	ELECT MELF	10uF 20% 50V (DB1070: US, CND, E, CH)	C1263	1-163-257-11	CERAMIC CHIP	180PF 5% 50V
C1208	1-135-743-11	ELECT	10uF 50V (DB1070: AEP, UK)	C1264	1-128-858-11	ELECT	22uF 20% 50V (DB870/DB1070: CH, CND, E, US)
C1210	1-165-319-11	CERAMIC CHIP	0.1uF 50V	C1264	1-135-744-11	ELECT	22uF 50V (DB1070: AEP, UK)
C1211	1-165-319-11	CERAMIC CHIP	0.1uF 50V	C1271	1-128-858-11	ELECT	22uF 20% 50V (DB870/DB1070: CH, CND, E, US)
C1212	1-165-319-11	CERAMIC CHIP	0.1uF 50V (DB1070)	C1271	1-135-744-11	ELECT	22uF 50V (DB1070: AEP, UK)
C1213	1-119-824-11	ELECT MELF	10uF 20% 50V (DB1070: US, CND, E, CH)	C1272	1-163-012-00	CERAMIC CHIP	0.0018uF 5% 50V
C1213	1-135-743-11	ELECT	10uF 50V (DB1070: AEP, UK)	C1273	1-163-257-11	CERAMIC CHIP	180PF 5% 50V
C1214	1-163-017-00	CERAMIC CHIP	0.0047uF 5% 50V	C1274	1-128-858-11	ELECT	22uF 20% 50V (DB870/DB1070: CH, CND, E, US)
C1221	1-128-858-11	ELECT	22uF 20% 50V (DB870/DB1070: CH, CND, E, US)	C1274	1-135-744-11	ELECT	22uF 50V (DB1070: AEP, UK)
C1221	1-135-744-11	ELECT	22uF 50V (DB1070: AEP, UK)	C1281	1-128-858-11	ELECT	22uF 20% 50V (DB1070: CH, CND, E, US)
C1222	1-163-012-00	CERAMIC CHIP	0.0018uF 5% 50V	C1281	1-135-744-11	ELECT	22uF 50V (DB1070: AEP, UK)
C1223	1-163-257-11	CERAMIC CHIP	180PF 5% 50V	C1282	1-163-012-00	CERAMIC CHIP	0.0018uF 5% 50V (DB1070)
C1224	1-128-858-11	ELECT	22uF 20% 50V (DB870/DB1070: CH, CND, E, US)	C1283	1-163-257-11	CERAMIC CHIP	180PF 5% 50V (DB1070)
C1224	1-135-744-11	ELECT	22uF 50V (DB1070: AEP, UK)	C1284	1-128-858-11	ELECT	22uF 20% 50V (DB1070: CH, CND, E, US)
C1231	1-128-858-11	ELECT	22uF 20% 50V (DB870/DB1070: CH, CND, E, US)	C1284	1-135-744-11	ELECT	22uF 50V (DB1070: AEP, UK)
C1231	1-135-744-11	ELECT	22uF 50V (DB1070: AEP, UK)	C1306	1-165-319-11	CERAMIC CHIP	0.1uF 50V
C1232	1-163-012-00	CERAMIC CHIP	0.0018uF 5% 50V	C1307	1-165-319-11	CERAMIC CHIP	0.1uF 50V
C1233	1-163-257-11	CERAMIC CHIP	180PF 5% 50V	C1308	1-165-319-11	CERAMIC CHIP	0.1uF 50V
C1234	1-128-858-11	ELECT	22uF 20% 50V (DB870/DB1070: CH, CND, E, US)	C1309	1-127-718-11	ELECT MELF	100uF 20% 16V (DB870/DB1070: CH, CND, E, US)
C1234	1-135-744-11	ELECT	22uF 50V (DB1070: AEP, UK)	C1309	1-135-709-11	ELECT	100uF 16V (DB1070: AEP, UK)
C1241	1-128-858-11	ELECT	22uF 20% 50V (DB870/DB1070: CH, CND, E, US)	C1310	1-127-718-11	ELECT MELF	100uF 20% 16V (DB870/DB1070: CH, CND, E, US)
C1241	1-135-744-11	ELECT	22uF 50V (DB1070: AEP, UK)	C1310	1-135-709-11	ELECT	100uF 16V (DB1070: AEP, UK)
C1242	1-163-012-00	CERAMIC CHIP	0.0018uF 5% 50V	C1313	1-163-243-11	CERAMIC CHIP	47PF 5% 50V (AEP, UK)
C1243	1-163-257-11	CERAMIC CHIP	180PF 5% 50V	C1314	1-163-249-11	CERAMIC CHIP	82PF 5% 50V (AEP, UK)
C1244	1-128-858-11	ELECT	22uF 20% 50V (DB870/DB1070: CH, CND, E, US)	C1315	1-165-319-11	CERAMIC CHIP	0.1uF 50V (AEP, UK)
C1244	1-135-744-11	ELECT	22uF 50V (DB1070: AEP, UK)	C1316	1-163-263-11	CERAMIC CHIP	330PF 5% 50V (AEP, UK)
C1251	1-128-858-11	ELECT	22uF 20% 50V (DB870/DB1070: CH, CND, E, US)	C1317	1-119-824-11	ELECT MELF	10uF 20% 50V (DB870: AEP, UK)
C1251	1-135-744-11	ELECT	22uF 50V (DB1070: AEP, UK)	C1317	1-135-743-11	ELECT	10uF 50V (DB1070: AEP, UK)

STR-DB870/DB1070

DIGITAL

Ref. No.	Part No.	Description	Remark	Ref. No.	Part No.	Description	Remark
C1318	1-119-824-11	ELECT MELF	10uF 20% 50V (DB870: AEP, UK)	C1505	1-165-319-11	CERAMIC CHIP	0.1uF 50V
C1318	1-135-743-11	ELECT	10uF 50V (DB1070: AEP, UK)	C1506	1-165-319-11	CERAMIC CHIP	0.1uF 50V
C1319	1-163-275-11	CERAMIC CHIP	0.001uF 5% 50V (AEP, UK)	C1507	1-165-319-11	CERAMIC CHIP	0.1uF 50V
C1320	1-165-319-11	CERAMIC CHIP	0.1uF 50V (AEP, UK)	C1508	1-165-319-11	CERAMIC CHIP	0.1uF 50V
C1401	1-163-021-11	CERAMIC CHIP	0.01uF 10% 50V	C1509	1-165-319-11	CERAMIC CHIP	0.1uF 50V
C1402	1-165-319-11	CERAMIC CHIP	0.1uF 50V	C1510	1-165-319-11	CERAMIC CHIP	0.1uF 50V
C1403	1-165-319-11	CERAMIC CHIP	0.1uF 50V	C1511	1-165-319-11	CERAMIC CHIP	0.1uF 50V
C1404	1-165-319-11	CERAMIC CHIP	0.1uF 50V	C1512	1-165-319-11	CERAMIC CHIP	0.1uF 50V
C1405	1-165-319-11	CERAMIC CHIP	0.1uF 50V	C1513	1-128-840-11	ELECT	47uF 20% 16V (DB870/DB1070: CH, CND, E, US)
C1406	1-128-858-11	ELECT	22uF 20% 50V (DB870/DB1070: CH, CND, E, US)	C1513	1-135-708-11	ELECT	47uF 16V (DB1070: AEP, UK)
C1406	1-135-744-11	ELECT	22uF 50V (DB1070: AEP, UK)	C1514	1-165-319-11	CERAMIC CHIP	0.1uF 50V
C1408	1-163-217-11	CERAMIC CHIP	1PF 0.25PF 50V	C1515	1-165-319-11	CERAMIC CHIP	0.1uF 50V
C1409	1-165-319-11	CERAMIC CHIP	0.1uF 50V	C1516	1-127-720-11	ELECT MELF	470uF 20% 16V (DB870/DB1070: CH, CND, E, US)
C1410	1-127-720-11	ELECT MELF	470uF 20% 16V (DB870/DB1070: CH, CND, E, US)	C1516	1-135-711-11	ELECT	470uF 16V (DB1070: AEP, UK)
C1410	1-135-711-11	ELECT	470uF 16V (DB1070: AEP, UK)	C1517	1-165-319-11	CERAMIC CHIP	0.1uF 50V
C1411	1-119-824-11	ELECT MELF	10uF 20% 50V (DB870/DB1070: CH, CND, E, US)	C1601	1-165-319-11	CERAMIC CHIP	0.1uF 50V
C1411	1-135-743-11	ELECT	10uF 50V (DB1070: AEP, UK)	C1602	1-165-319-11	CERAMIC CHIP	0.1uF 50V
C1412	1-165-319-11	CERAMIC CHIP	0.1uF 50V	C1603	1-165-319-11	CERAMIC CHIP	0.1uF 50V
C1413	1-165-319-11	CERAMIC CHIP	0.1uF 50V	C1604	1-165-319-11	CERAMIC CHIP	0.1uF 50V
C1414	1-165-319-11	CERAMIC CHIP	0.1uF 50V	C1605	1-165-319-11	CERAMIC CHIP	0.1uF 50V
C1415	1-163-021-11	CERAMIC CHIP	0.01uF 10% 50V	C1606	1-165-319-11	CERAMIC CHIP	0.1uF 50V
C1416	1-164-222-11	CERAMIC CHIP	0.22uF 25V	C1607	1-165-319-11	CERAMIC CHIP	0.1uF 50V
C1417	1-165-319-11	CERAMIC CHIP	0.1uF 50V	C1608	1-165-319-11	CERAMIC CHIP	0.1uF 50V
C1418	1-128-840-11	ELECT	47uF 20% 16V (DB870/DB1070: CH, CND, E, US)	C1609	1-165-319-11	CERAMIC CHIP	0.1uF 50V
C1418	1-135-708-11	ELECT	47uF 16V (DB1070: AEP, UK)	C1610	1-165-319-11	CERAMIC CHIP	0.1uF 50V
C1419	1-165-319-11	CERAMIC CHIP	0.1uF 50V	C1611	1-165-319-11	CERAMIC CHIP	0.1uF 50V
C1420	1-163-275-11	CERAMIC CHIP	0.001uF 5% 50V	C1612	1-165-319-11	CERAMIC CHIP	0.1uF 50V
C1421	1-165-319-11	CERAMIC CHIP	0.1uF 50V	C1613	1-128-840-11	ELECT	47uF 20% 16V (DB870/DB1070: CH, CND, E, US)
C1422	1-165-319-11	CERAMIC CHIP	0.1uF 50V	C1613	1-135-708-11	ELECT	47uF 16V (DB1070: AEP, UK)
C1423	1-165-319-11	CERAMIC CHIP	0.1uF 50V	C1614	1-165-319-11	CERAMIC CHIP	0.1uF 50V
C1424	1-165-319-11	CERAMIC CHIP	0.1uF 50V	C1615	1-165-319-11	CERAMIC CHIP	0.1uF 50V
C1425	1-163-251-11	CERAMIC CHIP	100PF 5% 50V	C1616	1-165-319-11	CERAMIC CHIP	0.1uF 50V
C1426	1-128-840-11	ELECT	47uF 20% 16V (DB870/DB1070: CH, CND, E, US)	C1617	1-127-720-11	ELECT MELF	470uF 20% 16V (DB870/DB1070: CH, CND, E, US)
C1426	1-135-708-11	ELECT	47uF 16V (DB1070: AEP, UK)	C1617	1-135-711-11	ELECT	470uF 16V (DB1070: AEP, UK)
C1427	1-165-319-11	CERAMIC CHIP	0.1uF 50V	C1618	1-165-319-11	CERAMIC CHIP	0.1uF 50V
C1428	1-165-319-11	CERAMIC CHIP	0.1uF 50V	C1701	1-165-319-11	CERAMIC CHIP	0.1uF 50V
C1429	1-163-231-11	CERAMIC CHIP	15PF 5% 50V	C1702	1-163-125-00	CERAMIC CHIP	220PF 5% 50V
C1430	1-163-231-11	CERAMIC CHIP	15PF 5% 50V	C1705	1-165-319-11	CERAMIC CHIP	0.1uF 50V
C1431	1-127-719-11	ELECT MELF	220uF 20% 16V (DB870/DB1070: CH, CND, E, US)	C1706	1-165-319-11	CERAMIC CHIP	0.1uF 50V
C1431	1-135-710-11	ELECT	220uF 16V (DB1070: AEP, UK)	C1707	1-165-319-11	CERAMIC CHIP	0.1uF 50V
C1501	1-165-319-11	CERAMIC CHIP	0.1uF 50V	C1708	1-165-319-11	CERAMIC CHIP	0.1uF 50V
C1502	1-165-319-11	CERAMIC CHIP	0.1uF 50V	C1709	1-165-319-11	CERAMIC CHIP	0.1uF 50V
C1503	1-165-319-11	CERAMIC CHIP	0.1uF 50V	C1710	1-165-319-11	CERAMIC CHIP	0.1uF 50V
C1504	1-165-319-11	CERAMIC CHIP	0.1uF 50V	C1711	1-165-319-11	CERAMIC CHIP	0.1uF 50V
				C1712	1-165-319-11	CERAMIC CHIP	0.1uF 50V
				C1713	1-119-824-11	ELECT MELF	10uF 20% 50V (DB870/DB1070: CH, CND, E, US)
				C1713	1-135-743-11	ELECT	10uF 50V (DB1070: AEP, UK)
				C1714	1-165-319-11	CERAMIC CHIP	0.1uF 50V
				C1715	1-165-319-11	CERAMIC CHIP	0.1uF 50V

Ref. No.	Part No.	Description	Remark	Ref. No.	Part No.	Description	Remark
C1716	1-165-319-11	CERAMIC CHIP	0.1uF 50V	D1802	8-719-988-61	DIODE 1SS355TE-17	
C1717	1-165-319-11	CERAMIC CHIP	0.1uF 50V	D1803	8-719-053-18	DIODE 1SR154-400TE-25	
C1718	1-165-319-11	CERAMIC CHIP	0.1uF 50V			< FERRITE BEAD >	
C1719	1-165-319-11	CERAMIC CHIP	0.1uF 50V				
C1720	1-163-021-11	CERAMIC CHIP	0.001uF 10% 50V	FB1101	1-469-730-11	FERRITE 0uH	
C1721	1-165-319-11	CERAMIC CHIP	0.1uF 50V	FB1102	1-469-152-11	FERRITE 0uH	
C1722	1-165-319-11	CERAMIC CHIP	0.1uF 50V	FB1201	1-469-152-11	FERRITE 0uH	
C1723	1-165-319-11	CERAMIC CHIP	0.1uF 50V	FB1202	1-469-152-11	FERRITE 0uH	
C1724	1-165-319-11	CERAMIC CHIP	0.1uF 50V	FB1401	1-469-152-11	FERRITE 0uH	
C1725	1-165-319-11	CERAMIC CHIP	0.1uF 50V	FB1402	1-469-152-11	FERRITE 0uH	
C1726	1-165-319-11	CERAMIC CHIP	0.1uF 50V	FB1403	1-469-152-11	FERRITE 0uH	
C1727	1-165-319-11	CERAMIC CHIP	0.1uF 50V	FB1404	1-469-152-11	FERRITE 0uH	
C1728	1-165-319-11	CERAMIC CHIP	0.1uF 50V	FB1405	1-469-730-11	FERRITE 0uH	
C1801	1-127-718-11	ELECT MELF	100uF 20% 16V (DB870/DB1070: CH, CND, E, US)	FB1406	1-469-730-11	FERRITE 0uH	
C1801	1-135-709-11	ELECT	100uF 16V (DB1070: AEP, UK)	FB1407	1-469-730-11	FERRITE 0uH	
C1802	1-127-720-11	ELECT MELF	470uF 20% 16V (DB870/DB1070: CH, CND, E, US)	FB1501	1-469-152-11	FERRITE 0uH	
C1802	1-135-711-11	ELECT	470uF 16V (DB1070: AEP, UK)	FB1502	1-469-152-11	FERRITE 0uH	
C1807	1-127-719-11	ELECT MELF	220uF 20% 16V (DB870/DB1070: CH, CND, E, US)	FB1601	1-469-730-11	FERRITE 0uH	
C1807	1-135-710-11	ELECT	220uF 16V (DB1070: AEP, UK)	FB1602	1-469-152-11	FERRITE 0uH	
C1808	1-127-720-11	ELECT MELF	470uF 20% 16V (DB870/DB1070: CH, CND, E, US)	FB1603	1-469-152-11	FERRITE 0uH	
C1808	1-135-711-11	ELECT	470uF 16V (DB1070: AEP, UK)	FB1604	1-469-730-11	FERRITE 0uH	
C1809	1-127-720-11	ELECT MELF	470uF 20% 16V (DB870/DB1070: CH, CND, E, US)	FB1703	1-469-152-11	FERRITE 0uH	
C1809	1-135-711-11	ELECT	470uF 16V (DB1070: AEP, UK)			< IC >	
C1811	1-119-841-11	ELECT	1000uF 20% 63V (DB1070: AEP, UK)	IC1101	8-759-560-56	IC PCM1800E/2K	
C1811	1-127-721-11	ELECT	1000uF 20% 16V (DB870/EXCEPT DB1070: AEP, UK)	IC1102	8-759-099-06	IC M5218AFP-TE1	
C1812	1-137-661-11	ELECT	4700uF 20% 6.3V	IC1201	8-759-825-12	IC PCM1604Y/2K	
C1815	1-119-841-11	ELECT	1000uF 20% 63V (DB1070: AEP, UK)	IC1202	8-759-825-13	IC PCM1748E/2K (DB1070)	
C1815	1-127-721-11	ELECT	1000uF 20% 16V (DB870/EXCEPT DB1070: AEP, UK)	IC1221	8-759-099-06	IC M5218AFP-TE1	
		< CONNECTOR >		IC1241	8-759-099-06	IC M5218AFP-TE1	
CN1101	1-784-753-11	CONNECTOR, FFC 31P		IC1261	8-759-099-06	IC M5218AFP-TE1	
CN1102	1-569-815-11	CONNECTOR, BOARD TO BOARD 21P		IC1281	8-759-099-06	IC M5218AFP-TE1 (DB1070)	
CN1103	1-569-815-11	CONNECTOR, BOARD TO BOARD 21P		IC1301	8-759-231-58	IC TA7812S	
CN1104	1-568-830-11	CONNECTOR, FFC 11P (DB870: AEP, UK)		IC1302	8-759-445-59	IC BA033T	
CN1104	1-568-838-11	CONNECTOR, FFC 21P (CND, US)		IC1303	8-759-557-36	IC BU1924F-E2 (AEP, UK)	
CN1104	1-784-776-11	CONNECTOR, FFC 15P (DB1070: AEP, CH, E, UK)		IC1401	8-749-017-36	IC TORX-179 (DIGITAL DVD/LD OPTICAL IN)	
CN1105	1-784-776-11	CONNECTOR, FFC 15P		IC1402	8-749-923-05	IC TORX178B (DIGITAL TV/SAT OPTICAL IN)	
CN1106	1-779-799-11	PIN, CONNECTOR 9P		IC1403	8-749-923-05	IC TORX178B (DIGITAL MD/TAPE OPTICAL IN (DB870), MD/DAT OPTICAL IN (DB1070))	
CN1107	1-784-923-11	PIN, CONNECTOR 7P		IC1404	8-749-923-04	IC TOTX178A (DIGITAL MD/TAPE OPTICAL OUT (DB870), MD/DAT OPTICAL OUT (DB1070))	
CN1108	1-691-765-11	PLUG (MICRO CONNECTOR) 3P		IC1405	8-759-242-70	IC TC7WU04F	
		< DIODE >		IC1406	8-759-926-17	IC SN74HC153ANS	
D1701	8-719-988-61	DIODE 1SS355TE-17		IC1407	8-759-546-74	IC TC7WH157FU (TE12R)	
D1702	8-719-988-61	DIODE 1SS355TE-17		IC1408	8-759-825-15	IC LC89056W-E	
D1703	8-719-801-78	DIODE 1SS184		IC1409	8-759-447-77	IC TC7WH74FU (TE12R)	
D1801	8-719-053-18	DIODE 1SR154-400TE-25		IC1410	8-759-242-70	IC TC7WU04F	
				IC1501	8-759-698-76	IC CXD9617R	
				IC1502	8-759-538-16	IC IDT71V016S15PH-AUTL	
				IC1601	8-759-698-77	IC CXD9616R	
				IC1602	8-759-538-16	IC IDT71V016S15PH-AUTL	
				IC1701	8-759-641-86	IC BR24C16F-E2	
				IC1702	8-759-714-20	IC S-80929ANMP-DDS-T2	
				IC1703	8-759-836-80	IC MB91154PMT2-G-102-E1	
				IC1801	8-759-231-53	IC TA7805S	
				IC1802	8-759-231-53	IC TA7805S	

STR-DB870/DB1070

DIGITAL

Ref. No.	Part No.	Description	Remark	Ref. No.	Part No.	Description	Remark
IC1803	8-759-450-47	IC BA05T		R1212	1-216-025-11	RES-CHIP	100 5% 1/10W
IC1804	8-759-445-59	IC BA033T					(DB1070)
IC1805	8-759-835-63	IC NJM2391DL1-26-TE1		R1220	1-216-071-00	METAL CHIP	8.2K 5% 1/10W
IC1806	8-759-445-59	IC BA033T		R1221	1-216-053-00	METAL CHIP	1.5K 5% 1/10W
IC1807	8-759-231-53	IC TA7805S		R1222	1-216-081-00	METAL CHIP	22K 5% 1/10W
IC1808	8-759-231-53	IC TA7805S		R1223	1-216-033-00	METAL CHIP	220 5% 1/10W
		< JACK >		R1224	1-216-097-11	RES-CHIP	100K 5% 1/10W
J1401	1-794-972-11	JACK, PIN 1P (DIGITAL DVD/LD COAXIAL IN)	(DB870)	R1230	1-216-071-00	METAL CHIP	8.2K 5% 1/10W
J1401	1-794-973-11	JACK, PIN 1P (DIGITAL DVD/LD COAXIAL IN)	(DB1070)	R1231	1-216-053-00	METAL CHIP	1.5K 5% 1/10W
		< SHORT >		R1232	1-216-081-00	METAL CHIP	22K 5% 1/10W
JW1001	1-211-950-11	SHORT	0	R1243	1-216-033-00	METAL CHIP	220 5% 1/10W
JW1002	1-216-296-11	SHORT	0	R1244	1-216-097-11	RES-CHIP	100K 5% 1/10W
JW1003	1-216-296-11	SHORT	0	R1250	1-216-071-00	METAL CHIP	8.2K 5% 1/10W
JW1004	1-216-296-11	SHORT	0	R1251	1-216-053-00	METAL CHIP	1.5K 5% 1/10W
JW1005	1-216-296-11	SHORT	0	R1252	1-216-081-00	METAL CHIP	22K 5% 1/10W
JW1006	1-216-296-11	SHORT	0	R1253	1-216-033-00	METAL CHIP	220 5% 1/10W
JW1101	1-216-295-11	SHORT	0 (CH, CND, E, US)	R1254	1-216-097-11	RES-CHIP	100K 5% 1/10W
JW1102	1-216-295-11	SHORT	0 (CH, CND, E, US)	R1260	1-216-071-00	METAL CHIP	8.2K 5% 1/10W
JW1103	1-216-295-11	SHORT	0 (CH, CND, E, US)	R1261	1-216-053-00	METAL CHIP	1.5K 5% 1/10W
JW1104	1-216-295-11	SHORT	0 (AEP, CH, E, UK)	R1262	1-216-081-00	METAL CHIP	22K 5% 1/10W
JW1105	1-216-295-11	SHORT	0 (AEP, CH, E, UK)	R1263	1-216-033-00	METAL CHIP	220 5% 1/10W
L1201	1-216-295-11	SHORT	0 (AEP, UK)	R1264	1-216-097-11	RES-CHIP	100K 5% 1/10W
		< TRANSISTOR >		R1270	1-216-071-00	METAL CHIP	8.2K 5% 1/10W
Q1401	8-729-230-49	TRANSISTOR	2SC2712-YG	R1271	1-216-053-00	METAL CHIP	1.5K 5% 1/10W
Q1402	8-729-230-49	TRANSISTOR	2SC2712-YG	R1272	1-216-081-00	METAL CHIP	22K 5% 1/10W
Q1701	8-729-230-49	TRANSISTOR	2SC2712-YG	R1273	1-216-033-00	METAL CHIP	220 5% 1/10W
Q1702	8-729-230-49	TRANSISTOR	2SC2712-YG	R1274	1-216-097-11	RES-CHIP	100K 5% 1/10W
Q1703	8-729-027-43	TRANSISTOR	RT1N141C-TP-1	R1280	1-216-071-00	METAL CHIP	8.2K 5% 1/10W
Q1704	8-729-230-49	TRANSISTOR	2SC2712-YG	R1281	1-216-053-00	METAL CHIP	1.5K 5% 1/10W
Q1705	8-729-230-49	TRANSISTOR	2SC2712-YG				(DB1070)
Q1801	8-729-140-93	TRANSISTOR	2SB733-34	R1282	1-216-081-00	METAL CHIP	22K 5% 1/10W
Q1802	8-729-027-43	TRANSISTOR	RT1N141C-TP-1				(DB1070)
Q1803	8-729-140-93	TRANSISTOR	2SB733-34	R1283	1-216-033-00	METAL CHIP	220 5% 1/10W
Q1804	8-729-027-43	TRANSISTOR	RT1N141C-TP-1				(DB1070)
Q1810	8-729-048-78	TRANSISTOR	2SD1733-TL-QR	R1284	1-216-097-11	RES-CHIP	100K 5% 1/10W
Q1811	8-729-140-93	TRANSISTOR	2SB733-34				(DB1070)
Q1812	8-729-027-43	TRANSISTOR	RT1N141C-TP-1	R1303	1-216-689-11	METAL CHIP	39K 0.5% 1/10W
Q1813	8-729-140-93	TRANSISTOR	2SB733-34	R1304	1-216-689-11	METAL CHIP	39K 0.5% 1/10W
Q1814	8-729-027-43	TRANSISTOR	RT1N141C-TP-1	R1307	1-216-057-00	METAL CHIP	2.2K 5% 1/10W
		< RESISTOR >					(AEP, UK)
R1101	1-216-025-11	RES-CHIP	100 5% 1/10W	R1308	1-216-025-11	RES-CHIP	100 5% 1/10W
R1121	1-216-085-00	RES-CHIP	33K 5% 1/10W				(AEP, UK)
R1122	1-216-085-00	RES-CHIP	33K 5% 1/10W	R1401	1-216-022-00	METAL CHIP	75 5% 1/10W
R1124	1-216-097-11	RES-CHIP	100K 5% 1/10W	R1402	1-216-025-11	RES-CHIP	100 5% 1/10W
R1131	1-216-085-00	RES-CHIP	33K 5% 1/10W	R1403	1-216-049-11	RES-CHIP	1K 5% 1/10W
R1132	1-216-085-00	RES-CHIP	33K 5% 1/10W	R1404	1-216-115-00	METAL CHIP	560K 5% 1/10W
R1134	1-216-097-11	RES-CHIP	100K 5% 1/10W	R1405	1-216-025-11	RES-CHIP	100 5% 1/10W
R1201	1-216-025-11	RES-CHIP	100 5% 1/10W	R1406	1-216-025-11	RES-CHIP	100 5% 1/10W
R1202	1-216-025-11	RES-CHIP	100 5% 1/10W	R1407	1-216-025-11	RES-CHIP	100 5% 1/10W
R1203	1-216-025-11	RES-CHIP	100 5% 1/10W	R1408	1-216-025-11	RES-CHIP	100 5% 1/10W
R1204	1-216-073-00	RES-CHIP	10K 5% 1/10W	R1409	1-216-081-00	METAL CHIP	22K 5% 1/10W
				R1410	1-216-085-00	RES-CHIP	33K 5% 1/10W
				R1411	1-216-025-11	RES-CHIP	100 5% 1/10W

DIGITAL

Ref. No.	Part No.	Description			Remark	Ref. No.	Part No.	Description			Remark
R1412	1-216-067-00	METAL CHIP	5.6K	5%	1/10W						
R1413	1-216-065-00	RES-CHIP	4.7K	5%	1/10W	R1667	1-216-295-11	SHORT	0		
R1414	1-216-073-00	RES-CHIP	10K	5%	1/10W	R1701	1-216-073-00	RES-CHIP	10K	5%	1/10W
						R1702	1-216-073-00	RES-CHIP	10K	5%	1/10W
R1415	1-216-073-00	RES-CHIP	10K	5%	1/10W	R1703	1-216-001-00	METAL CHIP	10	5%	1/10W
R1416	1-216-073-00	RES-CHIP	10K	5%	1/10W	R1704	1-216-073-00	RES-CHIP	10K	5%	1/10W
R1417	1-216-073-00	RES-CHIP	10K	5%	1/10W						
R1418	1-216-025-11	RES-CHIP	100	5%	1/10W	R1705	1-216-025-11	RES-CHIP	100	5%	1/10W
R1419	1-216-073-00	RES-CHIP	10K	5%	1/10W	R1706	1-216-073-00	RES-CHIP	10K	5%	1/10W
						R1707	1-216-065-00	RES-CHIP	4.7K	5%	1/10W
R1420	1-216-073-00	RES-CHIP	10K	5%	1/10W	R1708	1-216-025-11	RES-CHIP	100	5%	1/10W
R1421	1-216-025-11	RES-CHIP	100	5%	1/10W	R1709	1-216-025-11	RES-CHIP	100	5%	1/10W
R1422	1-216-025-11	RES-CHIP	100	5%	1/10W						
R1423	1-216-025-11	RES-CHIP	100	5%	1/10W	R1710	1-216-025-11	RES-CHIP	100	5%	1/10W
R1424	1-216-025-11	RES-CHIP	100	5%	1/10W	R1711	1-216-025-11	RES-CHIP	100	5%	1/10W
						R1712	1-216-025-11	RES-CHIP	100	5%	1/10W
R1425	1-216-025-11	RES-CHIP	100	5%	1/10W	R1713	1-216-025-11	RES-CHIP	100	5%	1/10W
R1426	1-216-025-11	RES-CHIP	100	5%	1/10W	R1714	1-216-025-11	RES-CHIP	100	5%	1/10W
R1427	1-216-049-11	RES-CHIP	1K	5%	1/10W						
R1428	1-216-065-00	RES-CHIP	4.7K	5%	1/10W	R1715	1-216-025-11	RES-CHIP	100	5%	1/10W
R1429	1-216-295-11	SHORT	0			R1716	1-216-025-11	RES-CHIP	100	5%	1/10W
						R1717	1-216-025-11	RES-CHIP	100	5%	1/10W
R1430	1-216-025-11	RES-CHIP	100	5%	1/10W	R1718	1-216-025-11	RES-CHIP	100	5%	1/10W
R1431	1-216-121-11	RES-CHIP	1M	5%	1/10W	R1719	1-216-025-11	RES-CHIP	100	5%	1/10W
R1432	1-216-025-11	RES-CHIP	100	5%	1/10W						
R1433	1-216-029-00	METAL CHIP	150	5%	1/10W	R1720	1-216-025-11	RES-CHIP	100	5%	1/10W
R1434	1-216-025-11	RES-CHIP	100	5%	1/10W	R1721	1-216-061-00	RES-CHIP	3.3K	5%	1/10W
						R1722	1-216-025-11	RES-CHIP	100	5%	1/10W
R1435	1-216-025-11	RES-CHIP	100	5%	1/10W	R1723	1-216-025-11	RES-CHIP	100	5%	1/10W
R1436	1-216-025-11	RES-CHIP	100	5%	1/10W	R1724	1-216-025-11	RES-CHIP	100	5%	1/10W
R1437	1-216-033-00	METAL CHIP	220	5%	1/10W						
R1501	1-216-025-11	RES-CHIP	100	5%	1/10W	R1725	1-216-025-11	RES-CHIP	100	5%	1/10W
R1502	1-216-025-11	RES-CHIP	100	5%	1/10W	R1726	1-216-025-11	RES-CHIP	100	5%	1/10W
						R1727	1-216-053-00	METAL CHIP	1.5K	5%	1/10W
R1503	1-216-025-11	RES-CHIP	100	5%	1/10W	R1728	1-216-025-11	RES-CHIP	100	5%	1/10W
R1504	1-216-025-11	RES-CHIP	100	5%	1/10W	R1729	1-216-025-11	RES-CHIP	100	5%	1/10W
R1505	1-216-025-11	RES-CHIP	100	5%	1/10W						
R1506	1-216-025-11	RES-CHIP	100	5%	1/10W	R1730	1-216-025-11	RES-CHIP	100	5%	1/10W
R1507	1-216-025-11	RES-CHIP	100	5%	1/10W	R1731	1-216-025-11	RES-CHIP	100	5%	1/10W
						R1732	1-216-025-11	RES-CHIP	100	5%	1/10W
R1508	1-216-073-00	RES-CHIP	10K	5%	1/10W	R1733	1-216-025-11	RES-CHIP	100	5%	1/10W
R1509	1-216-295-11	SHORT	0			R1734	1-216-073-00	RES-CHIP	10K	5%	1/10W
R1510	1-216-025-11	RES-CHIP	100	5%	1/10W						
R1512	1-216-025-11	RES-CHIP	100	5%	1/10W	R1735	1-216-073-00	RES-CHIP	10K	5%	1/10W
R1513	1-216-025-11	RES-CHIP	100	5%	1/10W	R1736	1-216-097-11	RES-CHIP	100K	5%	1/10W
						R1737	1-216-097-11	RES-CHIP	100K	5%	1/10W
R1566	1-216-025-11	RES-CHIP	100	5%	1/10W	R1738	1-216-097-11	RES-CHIP	100K	5%	1/10W
R1601	1-216-025-11	RES-CHIP	100	5%	1/10W	R1739	1-216-025-11	RES-CHIP	100	5%	1/10W
R1602	1-216-025-11	RES-CHIP	100	5%	1/10W						
R1603	1-216-073-00	RES-CHIP	10K	5%	1/10W	R1740	1-216-025-11	RES-CHIP	100	5%	1/10W
R1605	1-216-025-11	RES-CHIP	100	5%	1/10W	R1741	1-216-073-00	RES-CHIP	10K	5%	1/10W
						R1742	1-216-033-00	METAL CHIP	220	5%	1/10W
R1606	1-216-065-00	RES-CHIP	4.7K	5%	1/10W	R1743	1-216-025-11	RES-CHIP	100	5%	1/10W
R1607	1-216-025-11	RES-CHIP	100	5%	1/10W	R1744	1-216-025-11	RES-CHIP	100	5%	1/10W
R1608	1-216-295-11	SHORT	0								
R1609	1-216-025-11	RES-CHIP	100	5%	1/10W	R1745	1-216-025-11	RES-CHIP	100	5%	1/10W
R1610	1-216-025-11	RES-CHIP	100	5%	1/10W						(CND, US)
						R1746	1-216-025-11	RES-CHIP	100	5%	1/10W
R1611	1-216-025-11	RES-CHIP	100	5%	1/10W						(CND, US)
R1612	1-216-033-00	METAL CHIP	220	5%	1/10W	R1747	1-216-025-11	RES-CHIP	100	5%	1/10W
R1650	1-216-025-11	RES-CHIP	100	5%	1/10W	R1748	1-216-025-11	RES-CHIP	100	5%	1/10W
R1651	1-216-025-11	RES-CHIP	100	5%	1/10W						(CND, US)
R1653	1-216-025-11	RES-CHIP	100	5%	1/10W	R1749	1-216-025-11	RES-CHIP	100	5%	1/10W
R1654	1-216-025-11	RES-CHIP	100	5%	1/10W	R1750	1-216-025-11	RES-CHIP	100	5%	1/10W
R1655	1-216-025-11	RES-CHIP	100	5%	1/10W	R1751	1-216-073-00	RES-CHIP	10K	5%	1/10W
R1656	1-216-025-11	RES-CHIP	100	5%	1/10W	R1752	1-216-073-00	RES-CHIP	10K	5%	1/10W
R1657	1-216-025-11	RES-CHIP	100	5%	1/10W	R1753	1-216-073-00	RES-CHIP	10K	5%	1/10W
R1666	1-216-025-11	RES-CHIP	100	5%	1/10W	R1754	1-216-073-00	RES-CHIP	10K	5%	1/10W

STR-DB870/DB1070

DIGITAL

DISP

Ref. No.	Part No.	Description	Remark
R1755	1-216-025-11	RES-CHIP	100 5% 1/10W
R1756	1-216-073-00	RES-CHIP	10K 5% 1/10W
R1757	1-216-295-11	SHORT	0 (DB1070)
R1758	1-216-073-00	RES-CHIP	10K 5% 1/10W
R1759	1-216-057-00	METAL CHIP	2.2K 5% 1/10W (E2, E3)
R1759	1-216-073-00	RES-CHIP	10K 5% 1/10W (CH, KR, MY, SP, TW)
R1759	1-216-295-11	SHORT	0 (AEP, UK)
R1760	1-216-073-00	RES-CHIP	10K 5% 1/10W
R1761	1-216-073-00	RES-CHIP	10K 5% 1/10W
R1762	1-216-073-00	RES-CHIP	10K 5% 1/10W
R1763	1-216-073-00	RES-CHIP	10K 5% 1/10W
R1764	1-216-073-00	RES-CHIP	10K 5% 1/10W
R1765	1-216-049-11	RES-CHIP	1K 5% 1/10W
R1766	1-216-025-11	RES-CHIP	100 5% 1/10W
R1767	1-216-049-11	RES-CHIP	1K 5% 1/10W (AEP, UK)
R1768	1-216-025-11	RES-CHIP	100 5% 1/10W
R1769	1-216-077-00	RES-CHIP	15K 5% 1/10W (DB1070)
R1770	1-216-081-00	METAL CHIP	22K 5% 1/10W
R1771	1-216-073-00	RES-CHIP	10K 5% 1/10W
R1772	1-216-033-00	METAL CHIP	220 5% 1/10W
R1773	1-216-025-11	RES-CHIP	100 5% 1/10W
R1774	1-216-033-00	METAL CHIP	220 5% 1/10W
R1775	1-216-025-11	RES-CHIP	100 5% 1/10W
R1776	1-216-025-11	RES-CHIP	100 5% 1/10W
R1777	1-216-025-11	RES-CHIP	100 5% 1/10W
R1778	1-216-033-00	METAL CHIP	220 5% 1/10W
R1779	1-216-025-11	RES-CHIP	100 5% 1/10W
R1780	1-216-025-11	RES-CHIP	100 5% 1/10W
R1781	1-216-073-00	RES-CHIP	10K 5% 1/10W
R1782	1-216-073-00	RES-CHIP	10K 5% 1/10W
R1783	1-216-073-00	RES-CHIP	10K 5% 1/10W
R1784	1-216-073-00	RES-CHIP	10K 5% 1/10W
R1785	1-216-073-00	RES-CHIP	10K 5% 1/10W
R1786	1-216-073-00	RES-CHIP	10K 5% 1/10W
R1787	1-216-065-00	RES-CHIP	4.7K 5% 1/10W
R1788	1-216-065-00	RES-CHIP	4.7K 5% 1/10W
R1789	1-216-065-00	RES-CHIP	4.7K 5% 1/10W
R1790	1-216-065-00	RES-CHIP	4.7K 5% 1/10W
R1791	1-216-065-00	RES-CHIP	4.7K 5% 1/10W
R1792	1-216-065-00	RES-CHIP	4.7K 5% 1/10W
R1793	1-216-065-00	RES-CHIP	4.7K 5% 1/10W
R1794	1-216-065-00	RES-CHIP	4.7K 5% 1/10W
R1795	1-216-073-00	RES-CHIP	10K 5% 1/10W
R1796	1-216-073-00	RES-CHIP	10K 5% 1/10W
R1797	1-216-073-00	RES-CHIP	10K 5% 1/10W
R1798	1-216-073-00	RES-CHIP	10K 5% 1/10W
R1799	1-216-073-00	RES-CHIP	10K 5% 1/10W
R1800	1-216-033-00	METAL CHIP	220 5% 1/10W
R1801	1-216-045-00	METAL CHIP	680 5% 1/10W
R1802	1-216-073-00	RES-CHIP	10K 5% 1/10W
R1803	1-216-045-00	METAL CHIP	680 5% 1/10W
R1804	1-216-073-00	RES-CHIP	10K 5% 1/10W
R1805	1-216-045-00	METAL CHIP	680 5% 1/10W
R1806	1-216-073-00	RES-CHIP	10K 5% 1/10W

Ref. No.	Part No.	Description	Remark
R1807	1-216-045-00	METAL CHIP	680 5% 1/10W
R1808	1-216-073-00	RES-CHIP	10K 5% 1/10W
R1809	1-216-073-00	RES-CHIP	10K 5% 1/10W
R1810	1-216-073-00	RES-CHIP	10K 5% 1/10W
R1811	1-216-033-00	METAL CHIP	220 5% 1/10W (AEP, CH, E, UK)
R1812	1-216-033-00	METAL CHIP	220 5% 1/10W
R1813	1-216-033-00	METAL CHIP	220 5% 1/10W
R1814	1-216-033-00	METAL CHIP	220 5% 1/10W
R1815	1-216-025-11	RES-CHIP	100 5% 1/10W
< VIBRATOR >			
X1301	1-781-536-11	VIBRATOR, CRYSTAL (4.332MHz)	(AEP, UK)
X1401	1-795-219-21	VIBRATOR, CRYSTAL (24.576MHz)	
X1501	1-795-297-21	VIBRATOR, CERAMIC (13.5MHz)	
X1601	1-795-264-21	VIBRATOR, CERAMIC (13.5MHz)	
X1701	1-795-179-21	VIBRATOR, CERAMIC (16.5MHz)	

	A-4476-467-A	DISP BOARD, COMPLETE (DB870)	
	A-4476-500-A	DISP BOARD, COMPLETE (DB1070)	

*	4-921-941-01	CUSHION (FL)	
*	4-990-797-01	HOLDER (FL)	
< CAPACITOR >			
C1601	1-126-967-11	ELECT	47uF 20% 50V
C1602	1-164-159-11	CERAMIC	0.1uF 50V
C1603	1-164-159-11	CERAMIC	0.1uF 50V
C1607	1-164-159-11	CERAMIC	0.1uF 50V
C1608	1-164-159-11	CERAMIC	0.1uF 50V
C1609	1-164-159-11	CERAMIC	0.1uF 50V
C1610	1-164-159-11	CERAMIC	0.1uF 50V
C1611	1-164-159-11	CERAMIC	0.1uF 50V
C1612	1-164-159-11	CERAMIC	0.1uF 50V
C1613	1-164-159-11	CERAMIC	0.1uF 50V
C1614	1-164-159-11	CERAMIC	0.1uF 50V
C1615	1-164-159-11	CERAMIC	0.1uF 50V
C1616	1-164-159-11	CERAMIC	0.1uF 50V
C1617	1-162-282-31	CERAMIC	100PF 10% 50V
C1618	1-162-282-31	CERAMIC	100PF 10% 50V
C1619	1-162-282-31	CERAMIC	100PF 10% 50V
< CONNECTOR >			
CN1601	1-784-792-11	CONNECTOR, FFC 31P	
CN1602	1-770-553-11	CONNECTOR, BOARD TO BOARD 11P	
*	CN1603	1-568-056-11	PIN, BOARD TO BOARD 8P
CN1604	1-784-807-11	CONNECTOR, BOARD TO BOARD 13P	
< LED >			
D1601	8-719-075-60	LED SELS5823C-TP15 (VIDEO 1)	
D1602	8-719-075-60	LED SELS5823C-TP15 (VIDEO 2)	
D1603	8-719-075-60	LED SELS5823C-TP15 (VIDEO 3)	
D1604	8-719-075-60	LED SELS5823C-TP15 (DVD/LD)	
D1605	8-719-075-60	LED SELS5823C-TP15 (TV/SAT)	
D1606	8-719-075-60	LED SELS5823C-TP15 (MD/TAPE (DB870), TAPE (DB1070))	
D1607	8-719-075-60	LED SELS5823C-TP15 (CD/SACD) (DB1070)	

DISP **H.P** **MAIN**

Ref. No.	Part No.	Description	Remark	Ref. No.	Part No.	Description	Remark
D1608	8-719-075-60	LED SELS5823C-TP15 (CD/SACD (DB870), MD/DAT (DB1070))				< ROTARY ENCODER >	
D1609	8-719-075-60	LED SELS5823C-TP15 (TUNER)		RV1601	1-418-773-11	ENCODER, ROTARY (MASTER VOLUME)	
D1610	8-719-075-60	LED SELS5823C-TP15 (PHONO)		*****			
D1611	8-719-313-50	LED SEL6810A-TH12 (DIMMER)		1-681-103-11	H.P BOARD		
D1612	8-719-075-59	LED SELS5B23C-TP15 (DIGITAL CINEMA SOUND)			*****		
D1613	8-719-075-59	LED SELS5B23C-TP15 (6.1CH DECODING)			< CONNECTOR >		
D1614	8-719-046-39	LED SEL5821A-TP15 (NIGHT MODE)		CN749	1-784-922-11	PIN, CONNECTOR 5P	
D1615	8-719-046-39	LED SEL5821A-TP15 (MULTI/2CH A.DIRECT)			< TERMINAL >		
D1616	8-719-046-39	LED SEL5821A-TP15 (2CH)		* EB749	1-537-738-21	TERMINAL, EARTH	
D1617	8-719-046-39	LED SEL5821A-TP15 (MODE)			< JACK >		
D1618	8-719-046-39	LED SEL5821A-TP15 (A.F.D.)		J749	1-815-313-21	JACK (PHONES)	
D1619	8-719-084-07	LED SEL5E20CTP15 (MULTI CHANNEL DECODING)		*****			
		< FLUORESCENT INDICATOR TUBE >		A-4476-485-A	MAIN BOARD, COMPLETE (DB870: CND)		
FL1601	1-518-737-11	INDICATOR TUBE, FLUORESCENT		A-4476-486-A	MAIN BOARD, COMPLETE (DB870: AEP, UK)		
		< IC >		A-4476-498-A	MAIN BOARD, COMPLETE (US)		
IC1601	8-759-679-75	IC ML9261MB		A-4476-510-A	MAIN BOARD, COMPLETE (DB1070: CND)		
IC1602	8-759-373-50	IC NJU3719L		A-4476-511-A	MAIN BOARD, COMPLETE (CH, E2, E3, KR, MY, SP, TW)		
IC1603	8-759-036-90	IC MC74ACT08N		A-4476-527-A	MAIN BOARD, COMPLETE (DB1070: AEP, UK)		
IC1610	8-759-036-90	IC MC74ACT08N		*****			
		< TRANSISTOR >		7-685-872-09	SCREW +BVTT 3X8 (S)		
Q1602	8-729-119-76	TRANSISTOR 2SA1175-HFE			< CAPACITOR >		
		< RESISTOR >		C107	1-128-825-11	CERAMIC 2200PF 5% 50V	
△R1601	1-249-381-11	CARBON 1 5% 1/4W F		C108	1-128-809-11	CERAMIC 100PF 5% 50V	
△R1602	1-249-381-11	CARBON 1 5% 1/4W F				(AEP, CH, E, UK)	
R1607	1-249-429-11	CARBON 10K 5% 1/4W		C109	1-128-813-11	CERAMIC 220PF 5% 50V	
R1608	1-249-429-11	CARBON 10K 5% 1/4W				(AEP, CH, E, UK)	
R1609	1-249-429-11	CARBON 10K 5% 1/4W		C110	1-119-821-11	ELECT MELF 2.2uF 20% 50V	
						(DB870/DB1070: CH, CND, E, US)	
R1610	1-249-429-11	CARBON 10K 5% 1/4W		C110	1-135-740-11	ELECT 2.2uF 50V	
R1617	1-249-429-11	CARBON 10K 5% 1/4W				(DB1070: AEP, UK)	
R1618	1-249-429-11	CARBON 10K 5% 1/4W		C111	1-128-832-11	ELECT 220uF 20% 10V	
R1629	1-249-437-11	CARBON 47K 5% 1/4W				(DB870/DB1070: CH, CND, E, US)	
R1630	1-249-437-11	CARBON 47K 5% 1/4W		C111	1-135-667-11	ELECT 220uF 10V	
						(DB1070: AEP, UK)	
R1631	1-249-409-11	CARBON 220 5% 1/4W		C112	1-128-809-11	CERAMIC 100PF 5% 50V	
R1632	1-249-411-11	CARBON 330 5% 1/4W				(AEP, CH, E, UK)	
R1633	1-249-411-11	CARBON 330 5% 1/4W		C113	1-125-896-11	MYLAR 0.0091uF 5% 50V	
R1634	1-249-411-11	CARBON 330 5% 1/4W		C114	1-136-159-00	MYLAR 0.033uF 5% 50V	
R1635	1-249-411-11	CARBON 330 5% 1/4W					
R1636	1-249-411-11	CARBON 330 5% 1/4W		C115	1-119-821-11	ELECT MELF 2.2uF 20% 50V	
R1637	1-249-402-11	CARBON 56 5% 1/4W				(DB870/DB1070: CH, CND, E, US)	
R1638	1-249-409-11	CARBON 220 5% 1/4W		C115	1-135-740-11	ELECT 2.2uF 50V	
R1640	1-249-429-11	CARBON 10K 5% 1/4W				(DB1070: AEP, UK)	
R1641	1-247-807-31	CARBON 100 5% 1/4W		C123	1-128-858-11	ELECT 22uF 20% 50V	
						(DB1070: CH, CND, E, US)	
R1642	1-247-807-31	CARBON 100 5% 1/4W		C123	1-135-744-11	ELECT 22uF 50V	
R1643	1-247-807-31	CARBON 100 5% 1/4W				(DB1070: AEP, UK)	
R1644	1-247-807-31	CARBON 100 5% 1/4W		C124	1-128-858-11	ELECT 22uF 20% 50V	
R1645	1-247-807-31	CARBON 100 5% 1/4W				(DB1070: CH, CND, E, US)	
R1646	1-247-807-31	CARBON 100 5% 1/4W		C124	1-135-744-11	ELECT 22uF 50V	
						(DB1070: AEP, UK)	
R1647	1-247-807-31	CARBON 100 5% 1/4W		C125	1-128-809-11	CERAMIC 100PF 5% 50V	
R1648	1-247-807-31	CARBON 100 5% 1/4W				(DB1070)	

The components identified by mark △ or dotted line with mark △ are critical for safety. Replace only with part number specified.

Les composants identifiés par une marque △ sont critiques pour la sécurité. Ne les remplacer que par une pièce portant le numéro spécifié.

以阴影和 △ 标志来识别的零部件, 在安全方面具有关键性. 因此只能以规定号码的零部件来更换.

STR-DB870/DB1070

MAIN

Ref. No.	Part No.	Description	Remark	Ref. No.	Part No.	Description	Remark
C126	1-128-825-11	CERAMIC	2200PF 5% 50V (DB1070)	C409	1-135-667-11	ELECT	220uF 10V (DB1070: AEP, UK)
C127	1-128-825-11	CERAMIC	2200PF 5% 50V (DB1070)	C410	1-128-809-11	CERAMIC	100PF 5% 50V
C128	1-127-868-11	CERAMIC	2200PF 10% 50V	C411	1-107-597-11	CERAMIC	22PF 10% 500V
C129	1-127-868-11	CERAMIC	2200PF 10% 50V	C412	1-107-597-11	CERAMIC	22PF 10% 500V
C130	1-128-809-11	CERAMIC	100PF 5% 50V	C414	1-136-163-00	MYLAR	0.068uF 5% 50V
C131	1-127-868-11	CERAMIC	2200PF 10% 50V	C417	1-128-809-11	CERAMIC	100PF 5% 50V
C132	1-127-868-11	CERAMIC	2200PF 10% 50V	C419	1-128-840-11	ELECT	47uF 20% 16V (DB870/DB1070: CH, CND, E, US)
C133	1-128-809-11	CERAMIC	100PF 5% 50V	C419	1-135-708-11	ELECT	47uF 16V (DB1070: AEP, UK)
C134	1-128-809-11	CERAMIC	100PF 5% 50V (DB1070)	C420	1-128-809-11	CERAMIC	100PF 5% 50V
C136	1-128-825-11	CERAMIC	2200PF 5% 50V	C451	1-128-858-11	ELECT	22uF 20% 50V (DB870/DB1070: CH, CND, E, US)
C137	1-128-825-11	CERAMIC	2200PF 5% 50V (DB1070)	C451	1-135-744-11	ELECT	22uF 50V (DB1070: AEP, UK)
C138	1-127-876-11	CERAMIC	0.01uF 10% 50V	C452	1-128-813-11	CERAMIC	220PF 5% 50V
C159	1-128-813-11	CERAMIC	220PF 5% 50V (AEP, CH, E, UK)	C454	1-128-858-11	ELECT	22uF 20% 50V (DB870/DB1070: CH, CND, E, US)
C160	1-119-821-11	ELECT MELF	2.2uF 20% 50V (DB870/DB1070: CH, CND, E, US)	C454	1-135-744-11	ELECT	22uF 50V (DB1070: AEP, UK)
C160	1-135-740-11	ELECT	2.2uF 50V (DB1070: AEP, UK)	C455	1-128-813-11	CERAMIC	220PF 5% 50V
C161	1-128-832-11	ELECT	220uF 20% 10V (DB870/DB1070: CH, CND, E, US)	C456	1-102-233-00	CERAMIC	33PF 10% 500V
C161	1-135-667-11	ELECT	220uF 10V (DB1070: AEP, UK)	C457	1-136-163-00	MYLAR	0.068uF 5% 50V
C162	1-128-809-11	CERAMIC	100PF 5% 50V (AEP, CH, E, UK)	C458	1-102-230-00	CERAMIC	4PF 0.25PF 500V
C163	1-125-896-11	MYLAR	0.0091uF 5% 50V	C459	1-128-832-11	ELECT	220uF 20% 10V (DB870/DB1070: CH, CND, E, US)
C164	1-136-159-00	MYLAR	0.033uF 5% 50V	C459	1-135-667-11	ELECT	220uF 10V (DB1070: AEP, UK)
C165	1-119-821-11	ELECT MELF	2.2uF 20% 50V (DB870/DB1070: CH, CND, E, US)	C460	1-128-809-11	CERAMIC	100PF 5% 50V
C165	1-135-740-11	ELECT	2.2uF 50V (DB1070: AEP, UK)	C461	1-107-597-11	CERAMIC	22PF 10% 500V
C173	1-128-858-11	ELECT	22uF 20% 50V (DB1070: CH, CND, E, US)	C462	1-107-597-11	CERAMIC	22PF 10% 500V
C173	1-135-744-11	ELECT	22uF 50V (DB1070: AEP, UK)	C464	1-136-163-00	MYLAR	0.068uF 5% 50V
C174	1-128-858-11	ELECT	22uF 20% 50V (DB1070: CH, CND, E, US)	C467	1-128-840-11	ELECT	47uF 20% 16V (DB870/DB1070: CH, CND, E, US)"
C174	1-135-744-11	ELECT	22uF 50V (DB1070: AEP, UK)	C467	1-135-708-11	ELECT	47uF 16V (DB1070: AEP, UK)
C175	1-128-809-11	CERAMIC	100PF 5% 50V (DB1070)	C501	1-128-858-11	ELECT	22uF 20% 50V (DB870/DB1070: CH, CND, E, US)
C177	1-128-825-11	CERAMIC	2200PF 5% 50V (DB1070)	C501	1-135-744-11	ELECT	22uF 50V (DB1070: AEP, UK)
C401	1-128-858-11	ELECT	22uF 20% 50V (DB870/DB1070: CH, CND, E, US)	C502	1-128-813-11	CERAMIC	220PF 5% 50V
C401	1-135-744-11	ELECT	22uF 50V (DB1070: AEP, UK)	C504	1-128-858-11	ELECT	22uF 20% 50V (DB870/DB1070: CH, CND, E, US)
C402	1-128-813-11	CERAMIC	220PF 5% 50V	C504	1-135-744-11	ELECT	22uF 50V (DB1070: AEP, UK)
C404	1-128-858-11	ELECT	22uF 20% 50V (DB870/DB1070: CH, CND, E, US)	C505	1-128-813-11	CERAMIC	220PF 5% 50V
C404	1-135-744-11	ELECT	22uF 50V (DB1070: AEP, UK)	C506	1-102-233-00	CERAMIC	33PF 10% 500V
C405	1-128-813-11	CERAMIC	220PF 5% 50V	C507	1-128-809-11	CERAMIC	100PF 5% 50V
C406	1-102-233-00	CERAMIC	33PF 10% 500V	C508	1-102-230-00	CERAMIC	4PF 0.25PF 500V
C407	1-136-163-00	MYLAR	0.068uF 5% 50V	C509	1-128-832-11	ELECT	220uF 20% 10V (DB870/DB1070: CH, CND, E, US)
C408	1-102-230-00	CERAMIC	4PF 0.25PF 500V	C509	1-135-667-11	ELECT	220uF 10V (DB1070: AEP, UK)
C409	1-128-832-11	ELECT	220uF 20% 10V (DB870/DB1070: CH, CND, E, US)	C510	1-128-809-11	CERAMIC	100PF 5% 50V
				C511	1-107-597-11	CERAMIC	22PF 10% 500V
				C512	1-107-597-11	CERAMIC	22PF 10% 500V
				C514	1-136-163-00	MYLAR	0.068uF 5% 50V
				C517	1-128-809-11	CERAMIC	100PF 5% 50V
				C518	1-128-840-11	ELECT	47uF 20% 16V (DB870/DB1070: CH, CND, E, US)

Ref. No.	Part No.	Description	Remark			Ref. No.	Part No.	Description	Remark		
C518	1-135-708-11	ELECT	47uF		16V	C651	1-135-744-11	ELECT	22uF		50V
					(DB1070: AEP, UK)						(DB1070: AEP, UK)
C519	1-128-809-11	CERAMIC	100PF	5%	50V	C652	1-128-813-11	CERAMIC	220PF	5%	50V
C520	1-136-163-00	MYLAR	0.068uF	5%	50V	C654	1-128-858-11	ELECT	22uF	20%	50V
C551	1-128-858-11	ELECT	22uF	20%	50V						(DB1070: CH, CND, E, US)
					(DB870/DB1070: CH, CND, E, US)	C654	1-135-744-11	ELECT	22uF		50V
											(DB1070: AEP, UK)
C551	1-135-744-11	ELECT	22uF		50V	C655	1-128-813-11	CERAMIC	220PF	5%	50V
					(DB1070: AEP, UK)						(DB1070)
C552	1-128-813-11	CERAMIC	220PF	5%	50V	C656	1-102-233-00	CERAMIC	33PF	10%	500V
C554	1-128-858-11	ELECT	22uF	20%	50V						(DB1070)
					(DB870/DB1070: CH, CND, E, US)	C657	1-128-809-11	CERAMIC	100PF	5%	50V
C554	1-135-744-11	ELECT	22uF		50V						(DB1070)
					(DB1070: AEP, UK)	C658	1-102-230-00	CERAMIC	4PF	0.25PF	500V
C555	1-128-813-11	CERAMIC	220PF	5%	50V						(DB1070)
C556	1-102-233-00	CERAMIC	33PF	10%	500V	C659	1-128-832-11	ELECT	220uF	20%	10V
C557	1-128-809-11	CERAMIC	100PF	5%	50V						(DB1070: CH, CND, E, US)
C558	1-102-230-00	CERAMIC	4PF	0.25PF	500V	C659	1-135-667-11	ELECT	220uF		10V
C559	1-128-832-11	ELECT	220uF	20%	10V						(DB1070: AEP, UK)
					(DB870/DB1070: CH, CND, E, US)	C660	1-128-809-11	CERAMIC	100PF	5%	50V
C559	1-135-667-11	ELECT	220uF		10V						(DB1070)
					(DB1070: AEP, UK)	C661	1-107-597-11	CERAMIC	22PF	10%	500V
C560	1-128-809-11	CERAMIC	100PF	5%	50V						(DB1070)
C561	1-107-597-11	CERAMIC	22PF	10%	500V	C662	1-107-597-11	CERAMIC	22PF	10%	500V
C562	1-107-597-11	CERAMIC	22PF	10%	500V						(DB1070)
C564	1-136-163-00	MYLAR	0.068uF	5%	50V	C664	1-136-163-00	MYLAR	0.068uF	5%	50V
C567	1-128-840-11	ELECT	47uF	20%	16V						(DB1070)
					(DB870/DB1070: CH, CND, E, US)	C667	1-128-840-11	ELECT	47uF	20%	16V
C567	1-135-708-11	ELECT	47uF		16V						(DB870/DB1070: CH, CND, E, US)
					(DB1070: AEP, UK)	C667	1-135-708-11	ELECT	47uF		16V
C568	1-136-163-00	MYLAR	0.068uF	5%	50V						(DB1070: AEP, UK)
C601	1-128-858-11	ELECT	22uF	20%	50V	C668	1-136-163-00	MYLAR	0.068uF	5%	50V
					(DB870/DB1070: CH, CND, E, US)						(DB1070)
C601	1-135-744-11	ELECT	22uF		50V	C701	1-128-858-11	ELECT	22uF	20%	50V
					(DB1070: AEP, UK)						(DB1070: CH, CND, E, US)
C602	1-128-813-11	CERAMIC	220PF	5%	50V	C701	1-135-744-11	ELECT	22uF		50V
C604	1-128-858-11	ELECT	22uF	20%	50V						(DB1070: AEP, UK)
					(DB870/DB1070: CH, CND, E, US)	C702	1-128-813-11	CERAMIC	220PF	5%	50V
C604	1-135-744-11	ELECT	22uF		50V						(DB1070)
					(DB1070: AEP, UK)	C703	1-128-858-11	ELECT	22uF	20%	50V
C605	1-128-813-11	CERAMIC	220PF	5%	50V						(DB870/DB1070: CH, CND, E, US)
C606	1-102-233-00	CERAMIC	33PF	10%	500V	C703	1-135-744-11	ELECT	22uF		50V
C607	1-128-809-11	CERAMIC	100PF	5%	50V						(DB1070: AEP, UK)
C608	1-102-230-00	CERAMIC	4PF	0.25PF	500V	C704	1-128-809-11	CERAMIC	100PF	5%	50V
C609	1-128-832-11	ELECT	220uF	20%	10V						(DB1070)
					(DB870/DB1070: CH, CND, E, US)	C718	1-128-840-11	ELECT	47uF	20%	16V
C609	1-135-667-11	ELECT	220uF		10V						(DB1070: CH, CND, E, US)
					(DB1070: AEP, UK)	C718	1-135-708-11	ELECT	47uF		16V
C610	1-128-809-11	CERAMIC	100PF	5%	50V						(DB1070: AEP, UK)
C611	1-107-597-11	CERAMIC	22PF	10%	500V	C801	1-127-726-11	ELECT MELF	470uF	20%	25V
C612	1-107-597-11	CERAMIC	22PF	10%	500V						(DB870/DB1070: CH, CND, E, US)
C614	1-136-163-00	MYLAR	0.068uF	5%	50V	C801	1-135-684-11	ELECT	470uF		25V
C617	1-128-809-11	CERAMIC	100PF	5%	50V						(DB1070: AEP, UK)
C618	1-128-840-11	ELECT	47uF	20%	16V	C802	1-127-726-11	ELECT MELF	470uF	20%	25V
					(DB870/DB1070: CH, CND, E, US)						(DB870/DB1070: CH, CND, E, US)
C618	1-135-708-11	ELECT	47uF		16V	C802	1-135-684-11	ELECT	470uF		25V
					(DB1070: AEP, UK)						(DB1070: AEP, UK)
C619	1-128-809-11	CERAMIC	100PF	5%	50V	C803	1-136-173-00	MYLAR	0.47uF	5%	50V
C620	1-136-163-00	MYLAR	0.068uF	5%	50V	C804	1-136-173-00	MYLAR	0.47uF	5%	50V
C651	1-128-858-11	ELECT	22uF	20%	50V	C809	1-128-883-11	ELECT	22uF	20%	100V
					(DB870/DB1070: CH, CND, E, US)						(DB870/DB1070: CH, CND, E, US)
						C809	1-135-727-11	ELECT	22uF		100V
											(DB1070: AEP, UK)

STR-DB870/DB1070

MAIN

Ref. No.	Part No.	Description	Remark	Ref. No.	Part No.	Description	Remark
C810	1-128-883-11	ELECT	22uF 20% 100V (DB870/DB1070: CH, CND, E, US)	IC602	8-759-636-74	IC M5218AP-22	
C810	1-135-727-11	ELECT	22uF 100V (DB1070: AEP, UK)	IC603	8-759-326-52	IC uPC2581V	
C811	1-128-560-11	ELECT	22uF 20% 100V	IC701	8-759-835-76	IC TC94A07P (DB1070)	
C812	1-127-888-11	CERAMIC	0.1uF 10% 50V	IC702	8-759-636-74	IC M5218AP-22 (DB1070)	
C813	1-127-888-11	CERAMIC	0.1uF 10% 50V	IC801	8-759-231-59	IC TA7815S	
C814	1-126-933-11	ELECT	100uF 20% 16V	IC802	8-759-245-87	IC TA7915S	
C815	1-126-933-11	ELECT	100uF 20% 16V	IC804	8-759-036-90	IC MC74ACT08N	
C816	1-127-880-11	CERAMIC	0.022uF 10% 50V	IC805	8-759-036-90	IC MC74ACT08N	
C817	1-135-775-11	ELECT	47uF 35V			< JACK >	
C818	1-128-858-11	ELECT	22uF 20% 25V (DB870/DB1070: CH, CND, E, US)	J301	1-794-981-11	JACK, PIN 4P (PHONO IN, CD/SACD IN) (DB870)	
C818	1-135-703-11	ELECT	22uF 25V (DB1070: AEP, UK)	J301	1-794-982-11	JACK, PIN 4P (PHONO IN, CD/SACD IN) (DB1070)	
C819	1-128-858-11	ELECT	22uF 20% 25V (DB870/DB1070: CH, CND, E, US)	J302	1-794-981-11	JACK, PIN 4P (MD/TAPE OUT, MD/TAPE IN) (DB870)	
C819	1-135-703-11	ELECT	22uF 25V (DB1070: AEP, UK)	J302	1-794-982-11	JACK, PIN 4P (MD/DAT OUT, MD/DAT IN) (DB1070)	
C824	1-127-876-11	CERAMIC	0.01uF 10% 50V	J303	1-794-984-11	JACK, PIN 6P (TAPE IN/OUT, 2ND ROOM OUT) (DB1070)	
		< CONNECTOR >		J304	1-815-543-11	JACK, PIN 6P (MULTI CH IN 1 FRONT/ SURROUND/CENTER/SURROUND BACK) (DB1070)	
CN101	1-568-828-11	CONNECTOR, FFC 9P		J305	1-793-775-12	JACK, PIN 6P (MULTI CH IN FRONT/ SURROUND/CENTER/SUB WOOFER) (DB870)	
CN801	1-784-922-11	PIN, CONNECTOR 5P		J305	1-815-543-11	JACK, PIN 6P (MULTI CH IN 2 FRONT/ SURROUND/CENTER/SUB WOOFER) (DB1070)	
CN802	1-785-102-11	PIN, CONNECTOR 4P		J307	1-794-974-11	JACK, PIN 1P (SUB WOOFER) (DB1070)	
CN803	1-785-102-21	PIN, CONNECTOR 4P				< COIL >	
CN804	1-784-923-11	PIN, CONNECTOR 7P		L401	1-420-872-00	COIL, AIR-CORE	
CN805	1-784-926-11	PIN, CONNECTOR 11P		L451	1-420-872-00	COIL, AIR-CORE	
CN806	1-569-814-11	CONNECTOR, BOARD TO BOARD 21P		L501	1-420-872-00	COIL, AIR-CORE	
CN807	1-569-814-11	CONNECTOR, BOARD TO BOARD 21P		L551	1-420-872-00	COIL, AIR-CORE	
CN808	1-564-505-11	PLUG, CONNECTOR 2P		L601	1-420-872-00	COIL, AIR-CORE	
		< DIODE >		L651	1-420-872-00	COIL, AIR-CORE (DB1070)	
D301	8-719-911-19	DIODE 1SS199-25 (DB1070)				< TRANSISTOR/IC >	
D801	8-719-911-19	DIODE 1SS199-25		Q301	8-729-119-79	TRANSISTOR 2SC2785-FEK (DB1070)	
D802	8-719-911-19	DIODE 1SS199-25		Q401	8-729-141-30	TRANSISTOR 2SC3623A-LK	
D803	8-719-911-19	DIODE 1SS199-25		Q402	8-729-051-92	TRANSISTOR 2SD2560 (DB1070)	
D809	8-719-911-19	DIODE 1SS199-25		Q402	8-749-010-25	IC MN2488-OPY-M (DB870)	
D810	8-719-911-19	DIODE 1SS199-25		Q403	8-729-051-93	TRANSISTOR 2SB1647 (DB1070)	
D811	8-719-911-19	DIODE 1SS199-25		Q403	8-749-010-26	IC MP1620-OPY-M (DB870)	
D813	8-719-911-19	DIODE 1SS199-25 (DB1070)		Q451	8-729-141-30	TRANSISTOR 2SC3623A-LK	
D814	8-719-911-19	DIODE 1SS199-25		Q452	8-729-051-92	TRANSISTOR 2SD2560 (DB1070)	
D815	8-719-985-88	DIODE HZS6B2LTA		Q452	8-749-010-25	IC MN2488-OPY-M (DB870)	
D816	8-719-911-19	DIODE 1SS199-25		Q453	8-729-051-93	TRANSISTOR 2SB1647 (DB1070)	
		< IC >		Q453	8-749-010-26	IC MP1620-OPY-M (DB870)	
IC101	8-759-835-79	IC TC9274N-016		Q501	8-729-141-30	TRANSISTOR 2SC3623A-LK	
IC102	8-759-582-64	IC TC9273N-004		Q502	8-729-051-92	TRANSISTOR 2SD2560 (DB1070)	
IC103	8-759-636-74	IC M5218AP-22 (DB1070)		Q502	8-749-010-25	IC MN2488-OPY-M (DB870)	
IC104	8-759-636-74	IC M5218AP-22		Q503	8-729-051-93	TRANSISTOR 2SB1647 (DB1070)	
IC105	8-759-582-66	IC TC9273N-013 (DB1070)		Q503	8-749-010-26	IC MP1620-OPY-M (DB870)	
IC401	8-759-835-76	IC TC94A07P		Q551	8-729-141-30	TRANSISTOR 2SC3623A-LK	
IC402	8-759-636-74	IC M5218AP-22		Q552	8-729-051-92	TRANSISTOR 2SD2560 (DB1070)	
IC403	8-759-326-52	IC uPC2581V		Q552	8-749-010-25	IC MN2488-OPY-M (DB870)	
IC501	8-759-835-76	IC TC94A07P		Q553	8-729-051-93	TRANSISTOR 2SB1647 (DB1070)	
IC502	8-759-636-74	IC M5218AP-22		Q553	8-749-010-26	IC MP1620-OPY-M (DB870)	
IC503	8-759-326-52	IC uPC2581V					
IC601	8-759-835-76	IC TC94A07P					

Ref. No.	Part No.	Description	Remark	Ref. No.	Part No.	Description	Remark
Q601	8-729-141-30	TRANSISTOR	2SC3623A-LK	R134	1-247-887-00	CARBON	220K 5% 1/4W (DB1070)
Q602	8-729-051-92	TRANSISTOR	2SD2560 (DB1070)	R135	1-249-417-11	CARBON	1K 5% 1/4W
Q602	8-749-010-25	IC	MN2488-OPY-M (DB870)	R151	1-249-417-11	CARBON	1K 5% 1/4W (DB1070)
Q603	8-729-051-93	TRANSISTOR	2SB1647 (DB1070)	R152	1-249-417-11	CARBON	1K 5% 1/4W (DB1070)
Q603	8-749-010-26	IC	MP1620-OPY-M (DB870)	R153	1-249-417-11	CARBON	1K 5% 1/4W (DB1070)
Q651	8-729-141-30	TRANSISTOR	2SC3623A-LK	R154	1-249-417-11	CARBON	1K 5% 1/4W (DB1070)
Q652	8-729-051-92	TRANSISTOR	2SD2560 (DB1070)	R155	1-249-417-11	CARBON	1K 5% 1/4W (DB1070)
Q653	8-729-051-93	TRANSISTOR	2SB1647 (DB1070)	R156	1-249-417-11	CARBON	1K 5% 1/4W (DB1070)
Q701	8-729-141-30	TRANSISTOR	2SC3623ATP-LK (DB1070)	R157	1-249-417-11	CARBON	1K 5% 1/4W (DB1070)
Q806	8-729-119-78	TRANSISTOR	2SC2785-HFE	R165	1-249-421-11	CARBON	2.2K 5% 1/4W (AEP, CH, E, UK)
Q807	8-729-119-79	TRANSISTOR	2SC2785-FEK	R166	1-249-441-11	CARBON	100K 5% 1/4W
Q808	8-729-119-79	TRANSISTOR	2SC2785-FEK	R167	1-249-440-11	CARBON	82K 5% 1/4W
Q809	8-729-119-79	TRANSISTOR	2SC2785-FEK	R168	1-249-408-11	CARBON	180 5% 1/4W
Q810	8-729-900-63	TRANSISTOR	DTA124ES	R169	1-249-428-11	CARBON	8.2K 5% 1/4W
Q811	8-729-140-82	TRANSISTOR	2SA988-PAFAEA	R170	1-249-441-11	CARBON	100K 5% 1/4W
Q812	8-729-900-36	TRANSISTOR	DTC124ES	R171	1-247-807-31	CARBON	100 5% 1/4W
Q813	8-729-900-63	TRANSISTOR	DTA124ES	R172	1-249-413-11	CARBON	470 5% 1/4W
Q815	8-729-119-79	TRANSISTOR	2SC2785-FEK (DB1070)	R173	1-249-441-11	CARBON	100K 5% 1/4W
Q823	8-729-119-79	TRANSISTOR	2SC2785-FEK	R175	1-249-417-11	CARBON	1K 5% 1/4W
Q824	8-729-119-78	TRANSISTOR	2SC2785-HFE	R176	1-249-421-11	CARBON	2.2K 5% 1/4W
Q825	8-729-119-79	TRANSISTOR	2SC2785-FEK	R177	1-249-417-11	CARBON	1K 5% 1/4W
Q826	8-729-119-79	TRANSISTOR	2SC2785-FEK	R178	1-249-421-11	CARBON	2.2K 5% 1/4W (DB1070)
< RESISTOR >				R179	1-249-417-11	CARBON	1K 5% 1/4W (DB1070)
R101	1-249-417-11	CARBON	1K 5% 1/4W	R180	1-249-425-11	CARBON	4.7K 5% 1/4W (DB1070)
R102	1-249-417-11	CARBON	1K 5% 1/4W	R181	1-247-807-31	CARBON	100 5% 1/4W (DB1070)
R103	1-249-417-11	CARBON	1K 5% 1/4W	R182	1-249-437-11	CARBON	47K 5% 1/4W (DB1070)
R104	1-249-417-11	CARBON	1K 5% 1/4W	R183	1-247-887-00	CARBON	220K 5% 1/4W (DB1070)
R105	1-249-417-11	CARBON	1K 5% 1/4W	R184	1-247-887-00	CARBON	220K 5% 1/4W (DB1070)
R106	1-249-417-11	CARBON	1K 5% 1/4W	△R315	1-249-393-11	CARBON	10 5% 1/4W F (DB1070)
R113	1-249-417-11	CARBON	1K 5% 1/4W (DB1070)	R336	1-249-429-11	CARBON	10K 5% 1/4W (DB1070)
R114	1-249-417-11	CARBON	1K 5% 1/4W	R337	1-249-425-11	CARBON	4.7K 5% 1/4W (DB1070)
R115	1-249-421-11	CARBON	2.2K 5% 1/4W (AEP, CH, E, UK)	R401	1-249-427-11	CARBON	6.8K 5% 1/4W
R116	1-249-441-11	CARBON	100K 5% 1/4W	R402	1-249-417-11	CARBON	1K 5% 1/4W
R117	1-249-440-11	CARBON	82K 5% 1/4W	R403	1-249-441-11	CARBON	100K 5% 1/4W
R118	1-249-408-11	CARBON	180 5% 1/4W	R404	1-249-417-11	CARBON	1K 5% 1/4W
R119	1-249-428-11	CARBON	8.2K 5% 1/4W	R407	1-249-433-11	CARBON	22K 5% 1/4W
R120	1-249-441-11	CARBON	100K 5% 1/4W	R408	1-249-417-11	CARBON	1K 5% 1/4W
R121	1-247-807-31	CARBON	100 5% 1/4W	R409	1-249-439-11	CARBON	68K 5% 1/4W
R122	1-249-413-11	CARBON	470 5% 1/4W	R410	1-249-422-11	CARBON	2.7K 5% 1/4W (EXCEPT DB1070: AEP, UK)
R123	1-249-441-11	CARBON	100K 5% 1/4W	R410	1-249-683-31	CARBON	2.7K 5% 1/2W (DB1070: AEP, UK)
R125	1-249-417-11	CARBON	1K 5% 1/4W				
R126	1-249-421-11	CARBON	2.2K 5% 1/4W				
R127	1-249-417-11	CARBON	1K 5% 1/4W				
R128	1-249-421-11	CARBON	2.2K 5% 1/4W (DB1070)				
R129	1-249-417-11	CARBON	1K 5% 1/4W (DB1070)				
R130	1-249-425-11	CARBON	4.7K 5% 1/4W (DB1070)				
R131	1-247-807-31	CARBON	100 5% 1/4W (DB1070)				
R132	1-249-437-11	CARBON	47K 5% 1/4W (DB1070)				
R133	1-247-887-00	CARBON	220K 5% 1/4W (DB1070)				

The components identified by mark △ or dotted line with mark △ are critical for safety. Replace only with part number specified.

Les composants identifiés par une marque △ sont critiques pour la sécurité. Ne les remplacer que par une pièce portant le numéro spécifié.

以阴影和 △ 标志来识别的零部件，在安全方面具有关键性。因此只能以规定号码的零部件来更换。

STR-DB870/DB1070

Ver 1.3

MAIN

Ref. No.	Part No.	Description	Remark	Ref. No.	Part No.	Description	Remark
R411	1-249-439-11	CARBON	68K 5% 1/4W (EXCEPT DB1070: AEP, UK)	△R562	1-249-405-11	CARBON	100 5% 1/4W F
R411	1-249-494-11	CARBON	68K 5% 1/2W (DB1070: AEP, UK)	△R563	1-249-405-11	CARBON	100 5% 1/4W F
△R412	1-249-405-11	CARBON	100 5% 1/4W F	△R564	1-234-182-11	ENCAPSULATED COMPONENT	0.22 5W F
△R413	1-249-405-11	CARBON	100 5% 1/4W F	△R567	1-249-393-11	CARBON	10 5% 1/4W F
△R414	1-234-182-11	ENCAPSULATED COMPONENT	0.22 5W F	△R573	1-249-393-11	CARBON	10 5% 1/4W F
△R417	1-249-393-11	CARBON	10 5% 1/4W F	R601	1-249-427-11	CARBON	6.8K 5% 1/4W
R423	1-249-393-11	CARBON	10 5% 1/4W	R602	1-249-417-11	CARBON	1K 5% 1/4W
R451	1-249-427-11	CARBON	6.8K 5% 1/4W	R603	1-249-441-11	CARBON	100K 5% 1/4W
R452	1-249-417-11	CARBON	1K 5% 1/4W	R604	1-249-417-11	CARBON	1K 5% 1/4W
R453	1-249-441-11	CARBON	100K 5% 1/4W	R607	1-249-433-11	CARBON	22K 5% 1/4W
R458	1-249-417-11	CARBON	1K 5% 1/4W	R608	1-249-417-11	CARBON	1K 5% 1/4W
R459	1-249-439-11	CARBON	68K 5% 1/4W	R609	1-249-439-11	CARBON	68K 5% 1/4W
R460	1-249-422-11	CARBON	2.7K 5% 1/4W (EXCEPT DB1070: AEP, UK)	R610	1-249-422-11	CARBON	2.7K 5% 1/4W (EXCEPT DB1070: AEP, UK)
R460	1-249-683-31	CARBON	2.7K 5% 1/2W (DB1070: AEP, UK)	R610	1-249-683-31	CARBON	2.7K 5% 1/2W (DB1070: AEP, UK)
R461	1-249-439-11	CARBON	68K 5% 1/4W (EXCEPT DB1070: AEP, UK)	R611	1-249-439-11	CARBON	68K 5% 1/4W (EXCEPT DB1070: AEP, UK)
R461	1-249-494-11	CARBON	68K 5% 1/2W (DB1070: AEP, UK)	R611	1-249-494-11	CARBON	68K 5% 1/2W (DB1070: AEP, UK)
△R462	1-249-405-11	CARBON	100 5% 1/4W F	△R612	1-249-405-11	CARBON	100 5% 1/4W F
△R463	1-249-405-11	CARBON	100 5% 1/4W F	△R613	1-249-405-11	CARBON	100 5% 1/4W F
△R464	1-234-182-11	ENCAPSULATED COMPONENT	0.22 5W F	△R614	1-234-182-11	ENCAPSULATED COMPONENT	0.22 5W F
△R467	1-249-393-11	CARBON	10 5% 1/4W F	△R617	1-249-393-11	CARBON	10 5% 1/4W F
△R473	1-249-393-11	CARBON	10 5% 1/4W F	△R623	1-249-393-11	CARBON	10 5% 1/4W F
R501	1-249-427-11	CARBON	6.8K 5% 1/4W	R651	1-249-427-11	CARBON	6.8K 5% 1/4W
R502	1-249-417-11	CARBON	1K 5% 1/4W	R652	1-249-417-11	CARBON	1K 5% 1/4W
R503	1-249-441-11	CARBON	100K 5% 1/4W	R653	1-249-441-11	CARBON	100K 5% 1/4W
R504	1-249-417-11	CARBON	1K 5% 1/4W	R658	1-249-417-11	CARBON	1K 5% 1/4W (DB1070)
R507	1-249-433-11	CARBON	22K 5% 1/4W	R659	1-249-439-11	CARBON	68K 5% 1/4W (DB1070)
R508	1-249-417-11	CARBON	1K 5% 1/4W	R660	1-249-422-11	CARBON	2.7K 5% 1/4W (EXCEPT DB1070: AEP, UK)
R509	1-249-439-11	CARBON	68K 5% 1/4W	R660	1-249-683-31	CARBON	2.7K 5% 1/2W (DB1070: AEP, UK)
R510	1-249-422-11	CARBON	2.7K 5% 1/4W (EXCEPT DB1070: AEP, UK)	R661	1-249-439-11	CARBON	68K 5% 1/4W (EXCEPT DB1070: AEP, UK)
R510	1-249-683-31	CARBON	2.7K 5% 1/2W (DB1070: AEP, UK)	R661	1-249-494-11	CARBON	68K 5% 1/2W (DB1070: AEP, UK)
R511	1-249-439-11	CARBON	68K 5% 1/4W (EXCEPT DB1070: AEP, UK)	△R662	1-249-405-11	CARBON	100 5% 1/4W F (DB1070)
R511	1-249-494-11	CARBON	68K 5% 1/2W (DB1070: AEP, UK)	△R663	1-249-405-11	CARBON	100 5% 1/4W F (DB1070)
△R512	1-249-405-11	CARBON	100 5% 1/4W F	△R664	1-234-182-11	ENCAPSULATED COMPONENT	0.22 5W F (DB1070)
△R513	1-249-405-11	CARBON	100 5% 1/4W F	△R667	1-249-393-11	CARBON	10 5% 1/4W F (DB1070)
△R514	1-234-182-11	ENCAPSULATED COMPONENT	0.22 5W F	△R673	1-249-393-11	CARBON	10 5% 1/4W F (DB1070)
△R517	1-249-393-11	CARBON	10 5% 1/4W F	R701	1-249-427-11	CARBON	6.8K 5% 1/4W (DB1070)
△R523	1-249-393-11	CARBON	10 5% 1/4W F	R702	1-249-417-11	CARBON	1K 5% 1/4W (DB1070)
R551	1-249-427-11	CARBON	6.8K 5% 1/4W	R703	1-249-441-11	CARBON	100K 5% 1/4W (DB1070)
R552	1-249-417-11	CARBON	1K 5% 1/4W	R704	1-249-417-11	CARBON	1K 5% 1/4W (DB1070)
R553	1-249-441-11	CARBON	100K 5% 1/4W	R808	1-249-433-11	CARBON	22K 5% 1/4W
R558	1-249-417-11	CARBON	1K 5% 1/4W	△R809	1-215-887-00	METAL OXIDE	150 5% 2W F (AEP, UK)
R559	1-249-439-11	CARBON	68K 5% 1/4W				
R560	1-249-422-11	CARBON	2.7K 5% 1/4W (EXCEPT DB1070: AEP, UK)				
R560	1-249-683-31	CARBON	2.7K 5% 1/2W (DB1070: AEP, UK)				
R561	1-249-439-11	CARBON	68K 5% 1/4W (EXCEPT DB1070: AEP, UK)				
R561	1-249-494-11	CARBON	68K 5% 1/2W (DB1070: AEP, UK)				

The components identified by mark △ or dotted line with mark △ are critical for safety. Replace only with part number specified.

Les composants identifiés par une marque △ sont critiques pour la sécurité. Ne les remplacer que par une pièce portant le numéro spécifié.

以阴影和 △ 标志来识别的零部件, 在安全方面具有关键性。因此只能以规定号码的零部件来更换。

MAIN

MUTING

POWER

Ref. No.	Part No.	Description	Remark	Ref. No.	Part No.	Description	Remark
△ R809	1-215-889-00	METAL OXIDE	330 5%	2W F (CND, US)	1-681-100-11	MUTING BOARD *****	
△ R809	1-215-890-11	METAL OXIDE	470 5%	2W F (CH, E)		< CONNECTOR >	
△ R810	1-249-381-11	CARBON	1 5%	1/4W F	* CN1801	1-695-808-11	CONNECTOR, PC BOARD 8P
△ R811	1-249-381-11	CARBON	1 5%	1/4W F		< LED >	
R812	1-249-425-11	CARBON	4.7K 5%	1/4W	D1801	8-719-046-39	LED SEL5821A-TP15 (AUDIO SPLIT)
R813	1-249-425-11	CARBON	4.7K 5%	1/4W		< RESISTOR >	
R814	1-249-425-11	CARBON	4.7K 5%	1/4W	R1801	1-249-417-11	CARBON 1K 5% 1/4W
R815	1-249-429-11	CARBON	10K 5%	1/4W	R1802	1-249-421-11	CARBON 2.2K 5% 1/4W
R816	1-249-429-11	CARBON	10K 5%	1/4W	R1803	1-249-409-11	CARBON 220 5% 1/4W
R817	1-249-429-11	CARBON	10K 5%	1/4W		< ROTARY ENCODER >	
R818	1-249-429-11	CARBON	10K 5%	1/4W	RV1801	1-467-808-21	ENCODER, ROTARY (FUNCTION)
△ R820	1-249-393-11	CARBON	10 5%	1/4W F		< SWITCH >	
△ R822	1-249-393-11	CARBON	10 5%	1/4W F	S1801	1-762-875-21	SWITCH, KEYBOARD (INPUT MODE)
△ R824	1-215-867-00	METAL OXIDE	470 5%	1W F	S1802	1-762-875-21	SWITCH, KEYBOARD (AUDIO SPLIT)
△ R825	1-215-867-00	METAL OXIDE	470 5%	1W F	S1803	1-762-875-21	SWITCH, KEYBOARD (MUTING)
R826	1-247-903-00	CARBON	1M 5%	1/4W	*****		
△ R830	1-249-393-11	CARBON	10 5%	1/4W F (DB1070)		1-681-101-11	POWER BOARD *****
R831	1-249-429-11	CARBON	10K 5%	1/4W (DB1070)		< CAPACITOR >	
R832	1-249-425-11	CARBON	4.7K 5%	1/4W (DB1070)	C1701	1-104-660-11	ELECT 47uF 20% 16V
R833	1-247-903-00	CARBON	1M 5%	1/4W		< CONNECTOR >	
R835	1-249-441-11	CARBON	100K 5%	1/4W	CN1701	1-770-404-11	HOUSING, CONNECTOR (PC BOARD) 11P
△ R841	1-249-399-11	CARBON	33 5%	1/4W F		< IC >	
△ R846	1-249-399-11	CARBON	33 5%	1/4W F	IC1701	8-759-459-85	IC NJL63H400A (REMOTE CONTROL RECEIVER)
R847	1-249-425-11	CARBON	4.7K 5%	1/4W		< RESISTOR >	
R848	1-249-429-11	CARBON	10K 5%	1/4W	R1701	1-247-807-31	CARBON 100 5% 1/4W
△ R849	1-249-393-11	CARBON	10 5%	1/4W F	R1702	1-249-393-11	CARBON 10 5% 1/4W
R850	1-249-417-11	CARBON	1K 5%	1/4W	R1703	1-249-433-11	CARBON 22K 5% 1/4W
R851	1-249-425-11	CARBON	4.7K 5%	1/4W	R1704	1-249-417-11	CARBON 1K 5% 1/4W
R852	1-249-425-11	CARBON	4.7K 5%	1/4W		< SWITCH >	
R853	1-249-429-11	CARBON	10K 5%	1/4W	S1701	1-786-151-11	SWITCH, ROTARY (SPEAKERS)
△ R854	1-249-393-11	CARBON	10 5%	1/4W F	S1702	1-762-875-21	SWITCH, KEYBOARD (DIMMER)
R855	1-249-429-11	CARBON	10K 5%	1/4W	S1703	1-762-875-21	SWITCH, KEYBOARD (DISPLAY)
R856	1-249-429-11	CARBON	10K 5%	1/4W	S1704	1-762-875-21	SWITCH, KEYBOARD (I/⏻)
R859	1-249-421-11	CARBON	2.2K 5%	1/4W	*****		
R860	1-249-429-11	CARBON	10K 5%	1/4W		< RELAY >	
R864	1-249-437-11	CARBON	47K 5%	1/4W	RY301	1-515-793-11	RELAY (DB1070)
					RY801	1-515-920-11	RELAY (24V)
					RY803	1-515-920-11	RELAY (24V)
					RY805	1-515-793-11	RELAY (DB1070)
					RY806	1-515-793-11	RELAY
					RY807	1-515-793-11	RELAY
						< TERMINAL >	
TM501	1-694-837-11	TERMINAL BOARD (SP) (SURROUND/ CENTER/SURROUND BACK SPEAKERS) (DB1070)			TM501	1-694-839-11	TERMINAL BOARD (SP) (SURROUND/CENTER SPEAKERS) (DB870)

The components identified by mark △ or dotted line with mark △ are critical for safety. Replace only with part number specified.

Les composants identifiés par une marque △ sont critiques pour la sécurité. Ne les remplacer que par une pièce portant le numéro spécifié.

以阴影和 △ 标志来识别的零部件，在安全方面具有关键性。因此只能以规定号码的零部件来更换。

STR-DB870/DB1070

S-VIDEO

Ref. No.	Part No.	Description	Remark
	A-4476-478-A	S-VIDEO BOARD, COMPLETE (DB870: CND)	
	A-4476-493-A	S-VIDEO BOARD, COMPLETE (DB870: AEP, UK)	
	A-4476-506-A	S-VIDEO BOARD, COMPLETE (DB1070: CND, US)	
	A-4476-517-A	S-VIDEO BOARD, COMPLETE (DB1070: AEP, CH, E2, E3, KR, MY, SP, TW, UK)	

< CAPACITOR >			
C750	1-128-805-11	CERAMIC 47PF 5%	50V (DB870)
C751	1-128-805-11	CERAMIC 47PF 5%	50V (DB870)
C752	1-128-805-11	CERAMIC 47PF 5%	50V
C753	1-128-805-11	CERAMIC 47PF 5%	50V
C754	1-128-825-11	CERAMIC 2200PF 5%	50V
C755	1-136-165-00	MYLAR 0.1uF 5%	50V
C756	1-136-165-00	MYLAR 0.1uF 5%	50V
C757	1-136-165-00	MYLAR 0.1uF 5%	50V
C758	1-126-964-11	ELECT 10uF 20%	50V
C759	1-126-964-11	ELECT 10uF 20%	50V
C760	1-126-964-11	ELECT 10uF 20%	50V
C761	1-128-825-11	CERAMIC 2200PF 5%	50V
C762	1-128-825-11	CERAMIC 2200PF 5%	50V
C763	1-127-888-11	CERAMIC 0.1uF 10%	50V
C764	1-136-165-00	MYLAR 0.1uF 5%	50V
C765	1-128-817-11	CERAMIC 470PF 5%	50V (CND, US)
C766	1-104-660-11	ELECT 47uF 20%	16V (CND, US)
C767	1-127-888-11	CERAMIC 0.1uF 10%	50V
C768	1-128-817-11	CERAMIC 470PF 5%	50V (CND, US)
C769	1-127-888-11	CERAMIC 0.1uF 10%	50V
C770	1-126-964-11	ELECT 10uF 20%	50V
C772	1-127-888-11	CERAMIC 0.1uF 10%	50V
< CONNECTOR >			
* CN751	1-573-828-11	CONNECTOR, BOARD TO BOARD 14P (DB1070: AEP, CH, E, UK)	
CN751	1-766-719-41	CONNECTOR, BOARD TO BOARD 10P (DB870: AEP, UK)	
CN751	1-784-040-41	CONNECTOR, BOARD TO BOARD 19P (CND, US)	
* CN753	1-564-720-11	PIN, CONNECTOR (SMALL TYPE) 4P	
< DIODE >			
D750	8-719-911-19	DIODE 1SS199-25	
D751	8-719-911-19	DIODE 1SS199-25	
< IC >			
IC750	8-759-529-20	IC NJM2296D	
IC751	8-759-666-33	IC NJM2145D (CND, US)	
IC752	8-759-529-20	IC NJM2296D	
< JACK >			
J750	1-764-676-11	CONNECTOR (ROUND TYPE) (TV/SAT S-VIDEO IN, DVD/LD S-VIDEO IN) (DB870)	
J750	1-779-801-11	CONNECTOR (DIN) 2P (TV/SAT S-VIDEO IN, DVD/LD S-VIDEO IN) (DB1070)	

Ref. No.	Part No.	Description	Remark
J751	1-537-943-11	CONNECTOR (DIN) 1P (MONITOR S-VIDEO OUT) (DB870)	
J751	1-779-800-11	CONNECTOR (DIN) (MONITOR S-VIDEO OUT) (DB1070)	
J752	1-764-676-11	CONNECTOR (ROUND TYPE) (VIDEO 1 S-VIDEO OUT) (DB870)	
J752	1-779-801-11	CONNECTOR (DIN) (VIDEO 1 S-VIDEO OUT) (DB1070)	
J753	1-563-330-11	JACK (MONITOR CTRL S IN) (CND, US)	
J754	1-563-330-11	JACK (TV/SAT CTRL S STATUS IN) (CND, US)	
J755	1-563-330-11	JACK (DVD/LD CTRL S OUT) (CND, US)	
J756	1-563-330-11	JACK (VIDEO 1 CTRL S OUT) (CND, US)	
< TRANSISTOR >			
Q750	8-729-900-80	TRANSISTOR DTC124ES (CND, US)	
Q751	8-729-422-57	TRANSISTOR UN4111 (CND, US)	
Q752	8-729-422-57	TRANSISTOR UN4111 (CND, US)	
Q753	8-729-900-80	TRANSISTOR DTC124ES (CND, US)	
< RESISTOR >			
R750	1-249-417-11	CARBON 1K 5%	1/4W (CND, US)
R751	1-249-417-11	CARBON 1K 5%	1/4W (CND, US)
R752	1-249-417-11	CARBON 1K 5%	1/4W (CND, US)
R753	1-249-417-11	CARBON 1K 5%	1/4W (CND, US)
R754	1-247-804-11	CARBON 75 5%	1/4W
R755	1-247-804-11	CARBON 75 5%	1/4W
R756	1-247-804-11	CARBON 75 5%	1/4W
R757	1-247-804-11	CARBON 75 5%	1/4W
R758	1-247-804-11	CARBON 75 5%	1/4W
R759	1-247-804-11	CARBON 75 5%	1/4W
R760	1-247-804-11	CARBON 75 5%	1/4W
R761	1-247-804-11	CARBON 75 5%	1/4W
R762	1-247-804-11	CARBON 75 5%	1/4W
R763	1-247-804-11	CARBON 75 5%	1/4W
R764	1-249-427-11	CARBON 6.8K 5%	1/4W (CND, US)
R765	1-249-429-11	CARBON 10K 5%	1/4W (CND, US)
R766	1-249-427-11	CARBON 6.8K 5%	1/4W (CND, US)
R767	1-249-429-11	CARBON 10K 5%	1/4W (CND, US)
R768	1-249-427-11	CARBON 6.8K 5%	1/4W (CND, US)
R769	1-249-429-11	CARBON 10K 5%	1/4W (CND, US)
R770	1-247-804-11	CARBON 75 5%	1/4W
R771	1-247-804-11	CARBON 75 5%	1/4W
R772	1-247-807-31	CARBON 100 5%	1/4W (CND, US)
R773	1-249-429-11	CARBON 10K 5%	1/4W (CND, US)
R774	1-247-807-31	CARBON 100 5%	1/4W (CND, US)

SP

SW

Ref. No.	Part No.	Description	Remark	Ref. No.	Part No.	Description	Remark
	1-681-105-11	SP BOARD *****			A-4476-470-A	SW BOARD, COMPLETE (DB870)	
					A-4476-501-A	SW BOARD, COMPLETE (DB1070) *****	
		< CAPACITOR >				< CONNECTOR >	
C403	1-128-858-11	ELECT	22uF 20% 50V				
C421	1-128-809-11	CERAMIC	100PF 5% 50V	CN1901	1-784-806-11	HOUSING, CONNECTOR (PC BOARD) 13P	
C431	1-128-817-11	CERAMIC	470PF 5% 50V (AEP, CH, E, UK)			< LED >	
C436	1-128-809-11	CERAMIC	100PF 5% 50V	D1901	8-719-032-98	LED SEL5820A-TP15 (LEVEL)	
C453	1-128-858-11	ELECT	22uF 20% 50V	D1902	8-719-032-98	LED SEL5820A-TP15 (SURR)	
C471	1-128-809-11	CERAMIC	100PF 5% 50V	D1903	8-719-032-98	LED SEL5820A-TP15 (EQ)	
C481	1-128-817-11	CERAMIC	470PF 5% 50V (AEP, CH, E, UK)	D1904	8-719-032-98	LED SEL5820A-TP15 (NAME)	
C503	1-128-858-11	ELECT	22uF 20% 50V	D1905	8-719-032-98	LED SEL5820A-TP15 (SET UP)	
C553	1-128-858-11	ELECT	22uF 20% 50V			< RESISTOR >	
C603	1-128-858-11	ELECT	22uF 20% 50V	R1902	1-249-417-11	CARBON 1K 5% 1/4W	
C653	1-128-858-11	ELECT	22uF 20% 50V	R1903	1-249-421-11	CARBON 2.2K 5% 1/4W	
		< JACK >		R1904	1-249-421-11	CARBON 2.2K 5% 1/4W	
J401	1-815-542-11	JACK, PIN 4P (PRE OUT SURROUND BACK/ SUB WOOFER) (DB1070)		R1905	1-249-425-11	CARBON 4.7K 5% 1/4W	
J402	1-779-902-21	JACK, PIN 4P (PRE OUT FRONT/SURROUND) (DB870)		R1906	1-249-429-11	CARBON 10K 5% 1/4W	
J402	1-815-541-11	JACK, PIN 4P (PRE OUT FRONT/SURROUND) (DB1070)		R1907	1-249-433-11	CARBON 22K 5% 1/4W	
J403	1-774-843-11	JACK, PIN 1P (PRE OUT CENTER)		R1908	1-249-437-11	CARBON 47K 5% 1/4W	
J701	1-793-777-12	JACK, PIN 2P (PRE OUT SUB WOOFER) (DB870)		R1912	1-249-417-11	CARBON 1K 5% 1/4W	
		< RESISTOR >		R1913	1-249-421-11	CARBON 2.2K 5% 1/4W	
△R431	1-249-393-11	CARBON	10 5% 1/4W F (AEP, CH, E, UK)	R1914	1-249-421-11	CARBON 2.2K 5% 1/4W	
R433	1-249-417-11	CARBON	1K 5% 1/4W	R1915	1-249-425-11	CARBON 4.7K 5% 1/4W	
△R481	1-249-393-11	CARBON	10 5% 1/4W F (AEP, CH, E, UK)	R1916	1-249-429-11	CARBON 10K 5% 1/4W	
R483	1-249-417-11	CARBON	1K 5% 1/4W	R1917	1-249-433-11	CARBON 22K 5% 1/4W	
R533	1-249-417-11	CARBON	1K 5% 1/4W	R1918	1-249-437-11	CARBON 47K 5% 1/4W	
R583	1-249-417-11	CARBON	1K 5% 1/4W	R1922	1-249-417-11	CARBON 1K 5% 1/4W	
R633	1-249-417-11	CARBON	1K 5% 1/4W	R1923	1-249-421-11	CARBON 2.2K 5% 1/4W	
R683	1-249-417-11	CARBON	1K 5% 1/4W	R1924	1-249-421-11	CARBON 2.2K 5% 1/4W	
R733	1-249-417-11	CARBON	1K 5% 1/4W	R1925	1-249-425-11	CARBON 4.7K 5% 1/4W	
△R821	1-249-393-11	CARBON	10 5% 1/4W F	R1931	1-249-421-11	CARBON 2.2K 5% 1/4W	
△R834	1-249-393-11	CARBON	10 5% 1/4W F	R1932	1-249-425-11	CARBON 4.7K 5% 1/4W	
		< RELAY >		R1933	1-249-429-11	CARBON 10K 5% 1/4W	
RY802	1-515-920-11	RELAY (24V)		R1934	1-249-433-11	CARBON 22K 5% 1/4W	
RY808	1-515-793-11	RELAY		R1941	1-249-421-11	CARBON 2.2K 5% 1/4W	
RY809	1-515-793-11	RELAY		R1942	1-249-421-11	CARBON 2.2K 5% 1/4W	
RY810	1-515-793-11	RELAY		R1943	1-249-425-11	CARBON 4.7K 5% 1/4W	
		< TERMINALBOARD >		R1944	1-249-429-11	CARBON 10K 5% 1/4W	
TM502	1-694-842-12	TERMINAL BOARD (SP) (FRONT SPEAKERS) *****		R1945	1-249-433-11	CARBON 22K 5% 1/4W	
				R1951	1-249-411-11	CARBON 330 5% 1/4W	
						< ROTARY RESISTOR >	
				RV1901	1-418-921-11	ENCODER, ENCODER (JOG DIAL)	
						< SWITCH >	
				S1901	1-762-875-21	SWITCH, KEYBOARD (ENTER)	
				S1902	1-762-875-21	SWITCH, KEYBOARD (>)	
				S1903	1-762-875-21	SWITCH, KEYBOARD (<)	
				S1904	1-762-875-21	SWITCH, KEYBOARD (LEVEL)	
				S1905	1-762-875-21	SWITCH, KEYBOARD (SURR)	
				S1906	1-762-875-21	SWITCH, KEYBOARD (EQ)	
				S1907	1-762-875-21	SWITCH, KEYBOARD (NAME)	
				S1908	1-762-875-21	SWITCH, KEYBOARD (SET UP)	
				S1911	1-762-875-21	SWITCH, KEYBOARD (EQUALIZER)	

The components identified by mark △ or dotted line with mark △ are critical for safety. Replace only with part number specified.

Les composants identifiés par une marque △ sont critiques pour la sécurité. Ne les remplacer que par une pièce portant le numéro spécifié.

以阴影和 △ 标志来识别的零部件，在安全方面具有关键性。因此只能以规定号码的零部件来更换。

STR-DB870/DB1070

SW **VIDEO**

Ref. No.	Part No.	Description	Remark
S1912	1-762-875-21	SWITCH, KEYBOARD (STREAM INFO (DB870), 2ND ROOM (DB1070))	
S1913	1-762-875-21	SWITCH, KEYBOARD (TEST TONE)	
S1914	1-762-875-21	SWITCH, KEYBOARD (PTY SELECT + (AEP, UK), TUNING +)	
S1915	1-762-875-21	SWITCH, KEYBOARD (TUNING -) (PTY SELECT - (AEP, UK), TUNING -)	
S1916	1-762-875-21	SWITCH, KEYBOARD (SLEEP (CH, CND, E, US), RDS/PTY (AEP, UK))	
S1917	1-762-875-21	SWITCH, KEYBOARD (FM MODE)	
S1918	1-762-875-21	SWITCH, KEYBOARD (MEMORY)	
S1921	1-762-875-21	SWITCH, KEYBOARD (6.1CH DECODING)	
S1922	1-762-875-21	SWITCH, KEYBOARD (CINEMA STUDIO EX)	
S1923	1-762-875-21	SWITCH, KEYBOARD (DIGITAL CONCERT HALL)	
S1924	1-762-875-21	SWITCH, KEYBOARD (2CH)	
S1925	1-762-875-21	SWITCH, KEYBOARD (A.F.D.)	
S1931	1-762-875-21	SWITCH, KEYBOARD (MODE -)	
S1932	1-762-875-21	SWITCH, KEYBOARD (NIGHT MODE)	
S1933	1-762-875-21	SWITCH, KEYBOARD (MULTI/2CH A.DIRECT)	
S1934	1-762-875-21	SWITCH, KEYBOARD (MODE +)	
S1941	1-762-875-21	SWITCH, KEYBOARD (ON SCREEN) (DB1070)	
S1942	1-762-875-21	SWITCH, KEYBOARD (FM/AM)	
S1943	1-762-875-21	SWITCH, KEYBOARD (SHIFT)	
S1944	1-762-875-21	SWITCH, KEYBOARD (PRESET TUNING -)	
S1945	1-762-875-21	SWITCH, KEYBOARD (PRESET TUNING +)	

	A-4476-477-A	VIDEO BOARD, COMPLETE (DB870: CND)	
	A-4476-492-A	VIDEO BOARD, COMPLETE (DB870: AEP, UK)	
	A-4476-505-A	VIDEO BOARD, COMPLETE (DB1070: CND, US)	
	A-4476-516-A	VIDEO BOARD, COMPLETE (DB1070: AEP, CH, E2, E3, KR, MY, SP, CH, TW, UK)	

	< CAPACITOR >		
C301	1-126-935-11	ELECT	470uF 20% 10V (CND, US)
C302	1-126-935-11	ELECT	470uF 20% 10V (CND, US)
C303	1-126-935-11	ELECT	470uF 20% 10V (CND, US)
C304	1-128-803-11	CERAMIC	33PF 5% 50V (CND, US)
C305	1-128-803-11	CERAMIC	33PF 5% 50V (CND, US)
C307	1-128-803-11	CERAMIC	33PF 5% 50V (CND, US)
C308	1-126-964-11	ELECT	10uF 20% 50V (CND, US)
C309	1-126-964-11	ELECT	10uF 20% 50V (CND, US)
C310	1-126-964-11	ELECT	10uF 20% 50V (CND, US)
C311	1-126-964-11	ELECT	10uF 20% 50V (CND, US)
C312	1-126-964-11	ELECT	10uF 20% 50V (CND, US)
C313	1-126-964-11	ELECT	10uF 20% 50V (CND, US)

Ref. No.	Part No.	Description	Remark
C314	1-126-935-11	ELECT	470uF 20% 10V (DB1070)
C315	1-126-935-11	ELECT	470uF 20% 10V (DB1070)
C316	1-162-199-31	CERAMIC	10PF 5% 50V (DB1070: AEP, CH, E, UK)
C318	1-126-960-11	ELECT	1uF 20% 50V (DB1070)
C319	1-127-888-11	CERAMIC	0.1uF 10% 50V (DB1070)
C320	1-128-802-11	CERAMIC	27PF 5% 50V (DB1070: AEP, CH, E, UK)
C322	1-162-199-31	CERAMIC	10PF 5% 50V (DB1070)
C323	1-128-802-11	CERAMIC	27PF 5% 50V (DB1070)
C324	1-127-888-11	CERAMIC	0.1uF 10% 50V (DB1070)
C325	1-128-803-11	CERAMIC	33PF 5% 50V (DB1070)
C326	1-162-205-31	CERAMIC	18PF 5% 50V (DB1070)
C328	1-127-888-11	CERAMIC	0.1uF 10% 50V (DB1070)
C329	1-128-809-11	CERAMIC	100PF 5% 50V (DB1070)
C330	1-126-964-11	ELECT	10uF 20% 50V (DB1070)
C331	1-126-964-11	ELECT	10uF 20% 50V (DB1070)
C332	1-127-888-11	CERAMIC	0.1uF 10% 50V (DB1070: AEP, CH, E, UK)
C333	1-127-888-11	CERAMIC	0.1uF 10% 50V (DB1070)
C335	1-128-805-11	CERAMIC	47PF 5% 50V
C336	1-128-805-11	CERAMIC	47PF 5% 50V
C337	1-128-805-11	CERAMIC	47PF 5% 50V
C339	1-127-888-11	CERAMIC	0.1uF 10% 50V (DB1070)
C340	1-126-927-11	ELECT	2200uF 20% 10V (DB1070)
C341	1-127-888-11	CERAMIC	0.1uF 10% 50V (DB1070)
C342	1-128-805-11	CERAMIC	47PF 5% 50V
C343	1-128-805-11	CERAMIC	47PF 5% 50V
C344	1-128-805-11	CERAMIC	47PF 5% 50V
C345	1-128-805-11	CERAMIC	47PF 5% 50V
C346	1-126-964-11	ELECT	10uF 20% 50V
C347	1-126-964-11	ELECT	10uF 20% 50V
C348	1-126-964-11	ELECT	10uF 20% 50V
C349	1-126-964-11	ELECT	10uF 20% 50V
C350	1-127-888-11	CERAMIC	0.1uF 10% 50V (DB1070)
C351	1-127-868-11	CERAMIC	2200PF 10% 50V
C352	1-127-868-11	CERAMIC	2200PF 10% 50V
C353	1-127-868-11	CERAMIC	2200PF 10% 50V
C354	1-127-888-11	CERAMIC	0.1uF 10% 50V
C355	1-126-964-11	ELECT	10uF 20% 50V (DB1070)
C358	1-127-888-11	CERAMIC	0.1uF 10% 50V

Ref. No.	Part No.	Description	Remark	Ref. No.	Part No.	Description	Remark
C359	1-127-888-11	CERAMIC	0.1uF 10% 50V (DB1070: AEP, CH, E, UK)	D304	8-719-911-19	DIODE 1SS199-25	
C360	1-127-888-11	CERAMIC	0.1uF 10% 50V			< FERRITE BEAD/NOISE FILTER >	
C361	1-126-916-11	ELECT	1000uF 20% 6.3V (DB1070: AEP, CH, E, UK)	FB303	1-412-911-11	FERRITE 0uH (DB1070)	
C362	1-126-964-11	ELECT	10uF 20% 50V (DB1070)	FL301	1-424-543-11	FERRITE 0uH (DB1070: AEP, CH, E, UK)	
C363	1-126-964-11	ELECT	10uF 20% 50V	FL302	1-424-543-11	FERRITE 0uH (DB1070)	
C364	1-127-888-11	CERAMIC	0.1uF 10% 50V	FL303	1-424-543-11	FERRITE 0uH (DB1070: AEP, CH, E, UK)	
C365	1-127-888-11	CERAMIC	0.1uF 10% 50V	FL304	1-416-300-21	FILTER, NOISE (DB1070)	
C366	1-126-964-11	ELECT	10uF 20% 50V (DB1070)	FL305	1-416-300-21	FILTER, NOISE (DB1070)	
C367	1-127-888-11	CERAMIC	0.1uF 10% 50V			< IC >	
C368	1-126-960-11	ELECT	1uF 20% 50V (DB1070: AEP, CH, E, UK)	IC301	6-700-051-01	IC OPA2652 (CND, US)	
C369	1-128-805-11	CERAMIC	47PF 5% 50V	IC302	6-700-051-01	IC OPA2652 (CND, US)	
C370	1-127-888-11	CERAMIC	0.1uF 10% 50V (DB1070: AEP, CH, E, UK)	IC303	8-759-231-66	IC TC74HC4053AP (CND, US)	
C372	1-126-916-11	ELECT	1000uF 20% 6.3V (DB1070: AEP, CH, E, UK)	IC304	8-759-917-18	IC SN74HCU04AN (DB1070)	
C373	1-127-888-11	CERAMIC	0.1uF 10% 50V	IC305	8-759-666-34	IC BA7622 (DB1070)	
C374	1-127-888-11	CERAMIC	0.1uF 10% 50V	IC306	8-759-232-01	IC TC74HC00AP (DB1070: AEP, CH, E, UK)	
C375	1-126-964-11	ELECT	10uF 20% 50V (DB1070)	IC307	6-700-367-01	IC MB90089F-G-238-BND (DB1070)	
C376	1-126-960-11	ELECT	1uF 20% 50V (DB1070: AEP, CH, E, UK)	IC308	8-759-529-20	IC NJM2296D	
C377	1-127-888-11	CERAMIC	0.1uF 10% 50V (DB1070)	IC309	8-759-822-05	IC LA7213 (DB1070: AEP, CH, E, UK)	
C378	1-127-888-11	CERAMIC	0.1uF 10% 50V	IC310	8-759-036-90	IC MC74ACT08N (DB1070)	
C379	1-127-888-11	CERAMIC	0.1uF 10% 50V (CND, US)	IC311	8-759-822-05	IC LA7213 (DB1070: AEP, CH, E, UK)	
C380	1-127-888-11	CERAMIC	0.1uF 10% 50V (CND, US)	IC312	8-759-036-90	IC MC74ACT08N	
C381	1-127-888-11	CERAMIC	0.1uF 10% 50V (CND, US)			< JACK >	
C382	1-127-888-11	CERAMIC	0.1uF 10% 50V (CND, US)	J301	1-794-313-11	JACK, PIN (BLOCK) 9P (COMPONENT VIDEO MONITOR OUT, TV/SAT IN, DVD/LD IN) (DB1070: CND, US)	
		< CONNECTOR >		J301	1-815-573-11	JACK, PIN BLOCK 9P (COMPONENT VIDEO MONITOR OUT, TV/SAT IN, DVD/LD IN)	
CN301	1-573-846-11	CONNECTOR, BOARD TO BOARD 14P (DB1070: AEP, CH, E, UK)		J302	1-794-970-11	JACK, PIN 1P (MONITOR OUT VIDEO) (DB870)	
CN301	1-766-715-21	CONNECTOR, BOARD TO BOARD 10P (DB870: AEP, UK)		J302	1-794-971-11	JACK, PIN 1P (MONITOR OUT VIDEO) (DB1070)	
CN301	1-784-039-21	CONNECTOR, BOARD TO BOARD 19P (CND, US)		J303	1-563-330-11	JACK (CONTROL A1 II)	
CN302	1-564-505-11	PLUG, CONNECTOR 2P		J304	1-794-978-11	JACK, PIN 3P (VIDEO 2 IN VIDEO, VIDEO 1 IN/OUT VIDEO) (DB870)	
CN303	1-568-830-11	CONNECTOR, FFC 11P (DB870: AEP, UK)		J304	1-794-979-11	JACK, PIN 3P (VIDEO 2 IN VIDEO, VIDEO 1 IN/OUT VIDEO) (DB1070)	
CN303	1-568-838-11	CONNECTOR, FFC 21P (CND, US)		J305	1-794-978-11	JACK, PIN 3P (TV/SAT IN VIDEO, DVD/LD IN VIDEO, VIDEO OUT 2 VIDEO) (DB870)	
CN303	1-784-776-11	CONNECTOR, FFC 15P (DB1070: AEP, CH, E, UK)		J305	1-794-979-11	JACK, PIN 3P (TV/SAT IN VIDEO, DVD/LD IN VIDEO, VIDEO OUT 2 VIDEO) (DB1070)	
* CN306	1-564-720-11	PIN, CONNECTOR (SMALL TYPE) 4P (DB1070)				< COIL >	
		< TRIMMER >		L301	1-410-973-11	INDUCTOR 22uH (DB1070)	
CT301	1-141-442-11	CAP, CERAMIC TRIMMER 20PF (DB1070: AEP, CH, E, UK)				< TRANSISTOR >	
CT302	1-141-442-11	CAP, CERAMIC TRIMMER 20PF (DB1070)		Q302	8-729-900-80	TRANSISTOR DTC124ES (CND, US)	
CT303	1-141-442-11	CAP, CERAMIC TRIMMER 20PF (DB1070)		Q304	8-729-119-79	TRANSISTOR 2SC2785-FEK (DB1070)	
		< DIODE >		Q305	8-729-119-79	TRANSISTOR 2SC2785-FEK (DB1070)	
D301	8-719-911-19	DIODE 1SS199-25 (DB1070)				< RESISTOR >	
D303	8-719-911-19	DIODE 1SS199-25		R301	1-247-804-11	CARBON 75 5% 1/4W (CND, US)	
				R302	1-247-804-11	CARBON 75 5% 1/4W (CND, US)	
				R303	1-247-804-11	CARBON 75 5% 1/4W (CND, US)	

STR-DB870/DB1070

VIDEO	VIDEO 3
--------------	----------------

Ref. No.	Part No.	Description	Remark
R304	1-247-804-11	CARBON	75 5% 1/4W (CND, US)
R305	1-247-804-11	CARBON	75 5% 1/4W (CND, US)
R306	1-247-804-11	CARBON	75 5% 1/4W (CND, US)
R307	1-247-804-11	CARBON	75 5% 1/4W (CND, US)
R308	1-249-417-11	CARBON	1K 5% 1/4W (CND, US)
R309	1-247-804-11	CARBON	75 5% 1/4W (CND, US)
R310	1-247-804-11	CARBON	75 5% 1/4W (CND, US)
R311	1-249-417-11	CARBON	1K 5% 1/4W (CND, US)
R312	1-249-417-11	CARBON	1K 5% 1/4W (CND, US)
R313	1-249-411-11	CARBON	330 5% 1/4W (CND, US)
R314	1-249-433-11	CARBON	22K 5% 1/4W (CND, US)
R315	1-249-411-11	CARBON	330 5% 1/4W (CND, US)
R316	1-249-433-11	CARBON	22K 5% 1/4W (CND, US)
R317	1-247-903-00	CARBON	1M 5% 1/4W (DB1070: AEP, CH, E, UK)
R318	1-247-804-11	CARBON	75 5% 1/4W (DB1070: AEP, CH, E, UK)
R319	1-249-411-11	CARBON	330 5% 1/4W (DB1070: AEP, CH, E, UK)
R320	1-249-417-11	CARBON	1K 5% 1/4W (DB1070)
R321	1-249-417-11	CARBON	1K 5% 1/4W (DB1070)
R322	1-249-417-11	CARBON	1K 5% 1/4W (DB1070)
R323	1-247-804-11	CARBON	75 5% 1/4W (DB1070: AEP, CH, E, UK)
R324	1-247-903-00	CARBON	1M 5% 1/4W (DB1070)
R325	1-249-429-11	CARBON	10K 5% 1/4W (CND, US)
R326	1-249-411-11	CARBON	330 5% 1/4W (CND, US)
R327	1-249-411-11	CARBON	330 5% 1/4W (DB1070)
R328	1-247-807-31	CARBON	100 5% 1/4W (DB1070)
R329	1-249-393-11	CARBON	10 5% 1/4W (DB1070)
R330	1-249-393-11	CARBON	10 5% 1/4W (DB1070)
R331	1-249-417-11	CARBON	1K 5% 1/4W (DB1070)
R332	1-247-807-31	CARBON	100 5% 1/4W (DB1070: AEP, CH, E, UK)
R333	1-249-425-11	CARBON	4.7K 5% 1/4W (DB1070)
R334	1-247-807-31	CARBON	100 5% 1/4W (DB1070: CND, US)

Ref. No.	Part No.	Description	Remark
R335	1-247-804-11	CARBON	75 5% 1/4W (DB1070: AEP, CH, E, UK)
R336	1-247-804-11	CARBON	75 5% 1/4W (DB1070: AEP, CH, E, UK)
R337	1-249-411-11	CARBON	330 5% 1/4W (CND, US)
R338	1-247-804-11	CARBON	75 5% 1/4W
R339	1-247-804-11	CARBON	75 5% 1/4W
R340	1-247-804-11	CARBON	75 5% 1/4W
R341	1-247-804-11	CARBON	75 5% 1/4W
R342	1-247-804-11	CARBON	75 5% 1/4W
R343	1-249-437-11	CARBON	47K 5% 1/4W (DB1070)
R344	1-247-804-11	CARBON	75 5% 1/4W
R345	1-249-437-11	CARBON	47K 5% 1/4W (DB1070)
R346	1-247-804-11	CARBON	75 5% 1/4W
R347	1-249-424-11	CARBON	3.9K 5% 1/4W (DB1070)
R348	1-249-437-11	CARBON	47K 5% 1/4W (DB1070)
R349	1-249-418-11	CARBON	1.2K 5% 1/4W (DB1070)
R350	1-249-437-11	CARBON	47K 5% 1/4W (DB1070)
R351	1-247-804-11	CARBON	75 5% 1/4W
R352	1-249-411-11	CARBON	330 5% 1/4W (DB1070: AEP, CH, E, UK)
R353	1-247-883-00	CARBON	150K 5% 1/4W (DB1070: AEP, CH, E, UK)
R354	1-249-411-11	CARBON	330 5% 1/4W (CND, US)
R355	1-249-411-11	CARBON	330 5% 1/4W (DB1070: AEP, CH, E, UK)
R356	1-247-883-00	CARBON	150K 5% 1/4W (DB1070: AEP, CH, E, UK)
R357	1-247-807-31	CARBON	100 5% 1/4W (CND, US)
R358	1-249-433-11	CARBON	22K 5% 1/4W (CND, US)
R359	1-249-411-11	CARBON	330 5% 1/4W (CND, US)
< VIBRATOR >			
X301	1-781-820-21	VIBRATOR, CRYSTAL (17.34MHz)	(DB1070: AEP, CH, E, UK)
X302	1-781-821-21	VIBRATOR, CRYSTAL (14MHz)	(DB1070)

	1-681-104-11	VIDEO 3 BOARD	*****
< CAPACITOR >			
C293	1-162-302-11	CERAMIC	0.0022uF 30% 16V
C294	1-162-302-11	CERAMIC	0.0022uF 30% 16V
< CONNECTOR >			
CN299	1-784-923-11	PIN, CONNECTOR 7P	
* EB299	1-537-738-21	TERMINAL, EARTH	

VIDEO 3

VIDEO AU

V.SWITCH

Ref. No.	Part No.	Description	Remark
		< JACK >	
J298	1-770-571-11	JACK BLOCK, PIN (L TYPE) 3P (VIDEO 3 INPUT VIDEO/AUDIO)	
J299	1-784-808-11	TERMINAL, S (VIDEO 3 INPUT S-VIDEO)	
		< RESISTOR >	
R298	1-249-417-11	CARBON 1K 5% 1/4W	
R299	1-249-417-11	CARBON 1K 5% 1/4W	

	1-681-096-11	VIDEO AU BOARD *****	
		< CAPACITOR >	
C201	1-127-868-11	CERAMIC 2200PF 10% 50V	
C202	1-127-868-11	CERAMIC 2200PF 10% 50V	
C211	1-127-868-11	CERAMIC 2200PF 10% 50V	
C212	1-127-868-11	CERAMIC 2200PF 10% 50V	
C213	1-128-809-11	CERAMIC 100PF 5% 50V	
		< CONNECTOR >	
CN201	1-568-441-11	SOCKET, CONNECTOR 9P	
* CN202	1-564-719-11	PIN, CONNECTOR (SMALL TYPE) 3P	
		< IC >	
IC201	8-759-582-65	IC TC9273N-014	
		< JACK >	
J201	1-774-411-11	JACK, PIN 6P (TV/SAT AUDIO IN, DVD/LD AUDIO IN, VIDEO 2 AUDIO OUT) (DB870)	
J201	1-794-984-11	JACK, PIN 6P (TV/SAT AUDIO IN, DVD/LD AUDIO IN, VIDEO 2 AUDIO OUT) (DB1070)	
J202	1-774-411-11	JACK, PIN 6P (VIDEO 2 AUDIO IN, VIDEO 1 AUDIO IN/OUT) (DB870)	
J202	1-794-984-11	JACK, PIN 6P (VIDEO 2 AUDIO IN, VIDEO 1 AUDIO IN/OUT) (DB1070)	
		< RESISTOR >	
R201	1-249-417-11	CARBON 1K 5% 1/4W	
R202	1-249-417-11	CARBON 1K 5% 1/4W	
R203	1-249-421-11	CARBON 2.2K 5% 1/4W	
R204	1-249-417-11	CARBON 1K 5% 1/4W	
R205	1-249-421-11	CARBON 2.2K 5% 1/4W	
R206	1-249-417-11	CARBON 1K 5% 1/4W	
R211	1-249-417-11	CARBON 1K 5% 1/4W	
R251	1-249-417-11	CARBON 1K 5% 1/4W	
R252	1-249-417-11	CARBON 1K 5% 1/4W	
R253	1-249-421-11	CARBON 2.2K 5% 1/4W	
R254	1-249-417-11	CARBON 1K 5% 1/4W	
R255	1-249-421-11	CARBON 2.2K 5% 1/4W	
R256	1-249-417-11	CARBON 1K 5% 1/4W	

Ref. No.	Part No.	Description	Remark
	1-681-106-11	V.SWITCH BOARD (E2, E3) *****	
	1-533-217-31	HOLDER, FUSE < CONNECTOR >	
CN49	1-568-106-11	PIN, CONNECTOR 4P < FUSE >	
△ F49	1-532-504-51	FUSE (T4AL/250V) < SWITCH >	
△ VS49	1-571-437-21	SWITCH, POWER VOLTAGE CHANGE (VOLTAGE SELECTOR) *****	
		MISCELLANEOUS *****	
62	1-765-352-11	WIRE (FLAT TYPE) (31 CORE)	
64	1-773-105-11	WIRE (FLAT TYPE) (19 CORE) (CND, US)	
160	1-769-904-11	WIRE (FLAT TYPE) (9 CORE)	
164	1-693-539-21	TUNER (DB870: CND/DB1070: CND, E2, E3, US)	
164	1-693-540-21	TUNER(DB870: AEP, UK/ DB1070: AEP, CH, KR, MY, SP, TW, UK)	
203	1-773-143-11	WIRE (FLAT TYPE) (21 CORE) (CND, US)	
204	1-773-001-11	WIRE (FLAT TYPE) (15 CORE) (DB870)	
204	1-773-003-11	WIRE (FLAT TYPE) (15 CORE) (DB1070)	
△ 210	1-769-079-21	CORD, POWER (KR)	
△ 210	1-769-743-11	CORD, POWER (CND)	
△ 210	1-777-071-21	CORD, POWER (DB870: AEP, UK/ DB1070: AEP, E2, E3, MY, SP, TW, UK)	
△ 210	1-782-464-21	CORD, POWER (CH)	
△ 210	1-783-820-11	CORD, POWER (US)	
△ T901	1-437-324-11	TRANSFORMER, POWER (TW)	
△ T901	1-437-325-11	TRANSFORMER, POWER (CND, US)	
△ T901	1-437-327-11	TRANSFORMER, POWER (DB870: AEP, UK / DB1070: AEP, CH, KR, MY, SP, UK)	
△ T901	1-437-328-11	TRANSFORMER, POWER (E2) *****	
		***** HARDWARE LIST *****	
#1	7-685-646-79	SCREW +BVTP 3X8 TYPE2 IT-3	
#2	7-685-885-09	SCREW +BVTT 4X16 (S) *****	
		ACCESSORIES *****	
△	1-569-008-21	ADAPTOR, CONVERSION (E2, E3, TW)	
△	1-770-019-11	ADAPTOR, CONVERSION PLUG 3P (UK)	
	1-476-552-21	COMMANDER, STANDARD (RM-U305A) (DB870: AEP, UK)	
	1-476-606-11	REMOTE COMMANDER (RM-PP505) (DB870: CND)	
	1-476-607-11	REMOTE COMMANDER (RM-PP505L) (DB1070: CND, US)	
	1-476-645-11	REMOTE COMMANDER (RM-LP205) (DB1070: AEP, CH, E2, E3, KR, MY, SP, TW, UK)	

The components identified by mark △ or dotted line with mark △ are critical for safety. Replace only with part number specified.

Les composants identifiés par une marque △ sont critiques pour la sécurité. Ne les remplacer que par une pièce portant le numéro spécifié.

以阴影和 △ 标志来识别的零部件，在安全方面具有关键性。因此只能以规定号码的零部件来更换。

STR-DB870/DB1070

<u>Ref. No.</u>	<u>Part No.</u>	<u>Description</u>	<u>Remark</u>
1-501-374-11		ANTENNA, LOOP (AM)	
1-501-594-11		ANTENNA (FM)	
1-777-172-11		CORD, CONNECTION (CONTROL S CONNECTING CORD) (CND,US)	
1-777-560-11		CORD, CONNECTION (AUDIO/VIDEO/ CONTROL S CONNECTING CORD) (CND, US)	
1-793-184-21		CONNECTOR (F TYPE ADAPTOR) (CND, E2, E3, US)	
4-228-696-01		COVER, BATTERY (for RM-U305A) (DB870: AEP, UK)	
4-983-536-01		COVER, BATTERY (for RM-PP505, RM-PP505L, RM-LP205) (EXCEPT DB870: AEP, UK)	
4-235-985-11		MANUAL, INSTRUCTION (ENGLISH)	
4-235-985-21		MANUAL, INSTRUCTION (FRENCH) (DB870: AEP, CND/ DB1070: AEP, CND, E2, E3, MY, SP)	
4-235-985-31		MANUAL, INSTRUCTION (SPANISH) (DB870: AEP/DB1070: AEP, E2, E3, MY, SP)	
4-235-985-41		MANUAL, INSTRUCTION (TRADITIONAL CHINESE) (DB1070: E3, KR, MY, SP, TW)	
4-235-985-51		MANUAL, INSTRUCTION (SIMPLIFIED CHINESE) (CH)	
4-235-985-61		MANUAL, INSTRUCTION (KOREAN) (KR)	
4-235-985-71		MANUAL, INSTRUCTION (GERMAN, DUTCH, SWEDISH) (AEP)	
4-235-985-81		MANUAL, INSTRUCTION (ITALIAN, POLISH) (AEP)	
4-236-327-11		MANUAL, INSTRUCTION (for RM-PP505) (ENGLISH) (DB870: CND)	
4-236-327-21		MANUAL, INSTRUCTION (for RM-PP505) (FRENCH) (DB870: CND)	
4-236-328-11		MANUAL, INSTRUCTION (for RM-PP505L) (ENGLISH) (DB1070: US, CND)	
4-236-328-21		MANUAL, INSTRUCTION (for RM-PP505L) (FRENCH) (DB1070: CND)	
4-236-383-11		MANUAL, INSTRUCTION (for RM-LP205) (ENGLISH) (DB1070: AEP, CH, E2, E3, MY, SP, TW, UK)	
4-236-383-21		MANUAL, INSTRUCTION (for RM-LP205) (FRENCH, SPANISH) (DB1070: AEP, E2, E3, MY, SP, TW)	
4-236-383-31		MANUAL, INSTRUCTION (for RM-LP205) (TRADITIONAL CHINESE) (E3, MY, SP, TW)	
4-236-383-41		MANUAL, INSTRUCTION (SIMPLIFIED CHINESE) (CH)	
4-236-383-51		MANUAL, INSTRUCTION (for RM-LP205) (KOREAN) (KR)	
4-236-383-61		MANUAL, INSTRUCTION (for RM-LP205) (GERMAN, DUTCH, SWEDISH, ITALIAN, POLISH) (DB1070: AEP)	

MEMO

