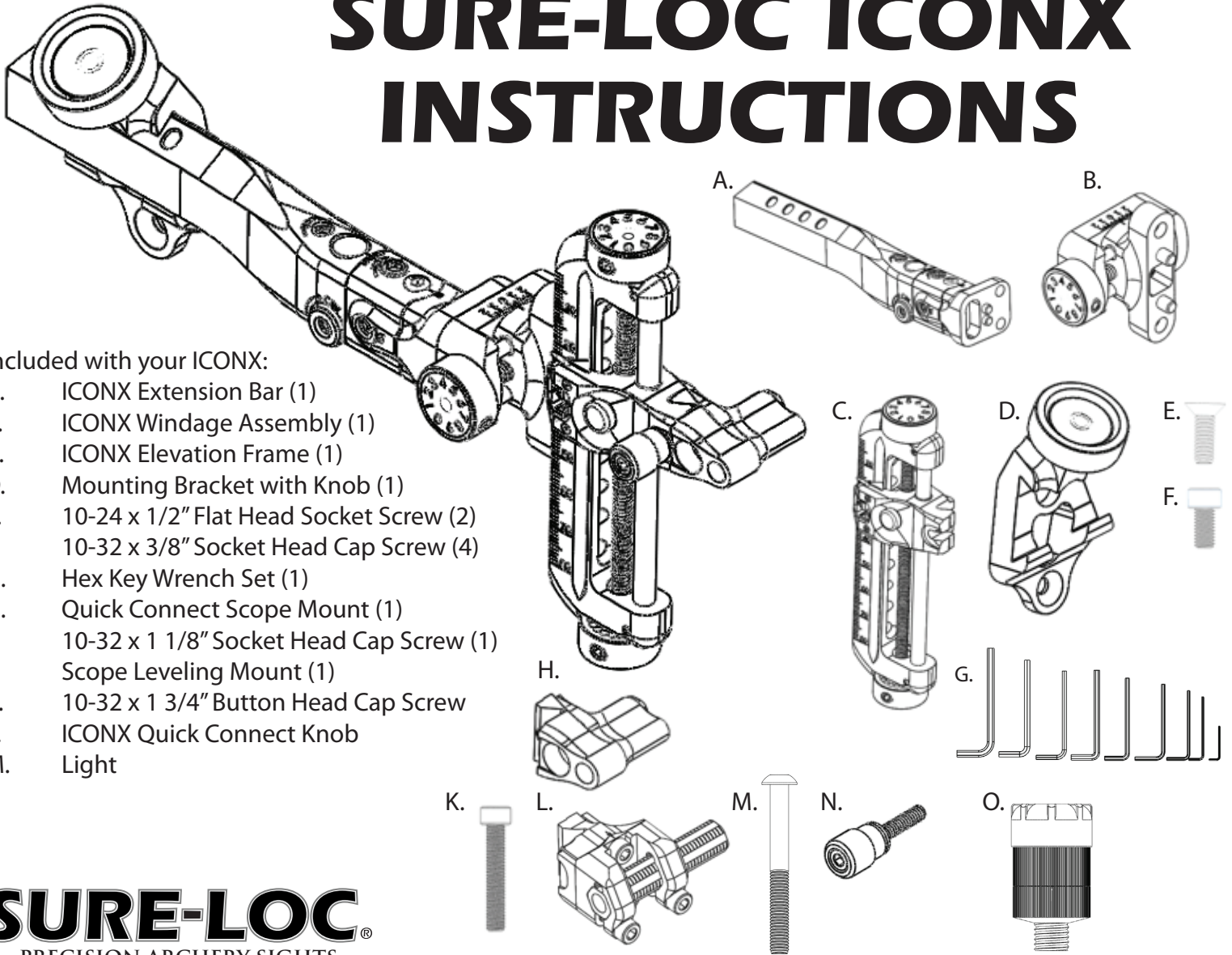


# SURE-LOC ICONX INSTRUCTIONS



Included with your ICONX:

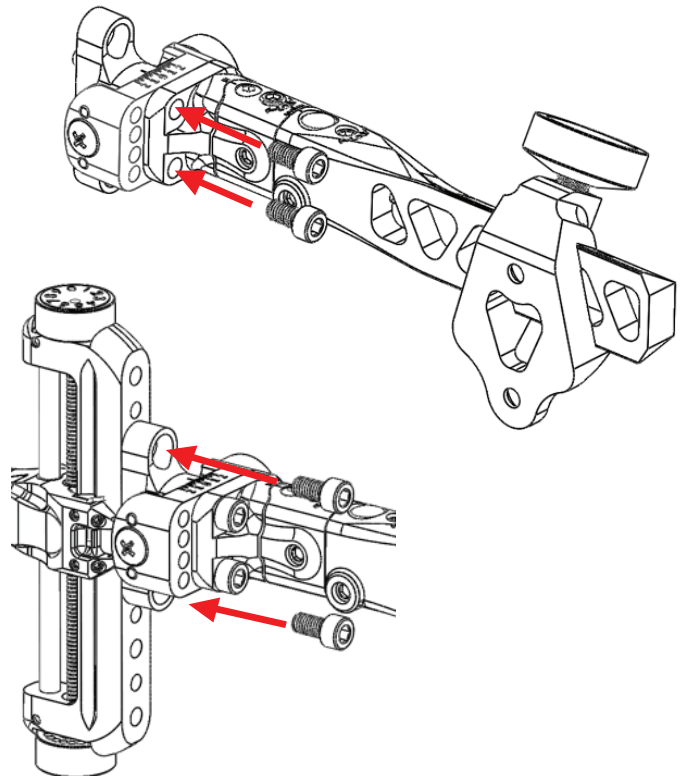
- A. ICONX Extension Bar (1)
- B. ICONX Windage Assembly (1)
- C. ICONX Elevation Frame (1)
- D. Mounting Bracket with Knob (1)
- E. 10-24 x 1/2" Flat Head Socket Screw (2)
- F. 10-32 x 3/8" Socket Head Cap Screw (4)
- G. Hex Key Wrench Set (1)
- H. Quick Connect Scope Mount (1)
- I. 10-32 x 1 1/8" Socket Head Cap Screw (1)
- J. Scope Leveling Mount (1)
- K. 10-32 x 1 3/4" Button Head Cap Screw
- L. ICONX Quick Connect Knob
- M. Light

**SURE-LOC**  
PRECISION ARCHERY SIGHTS

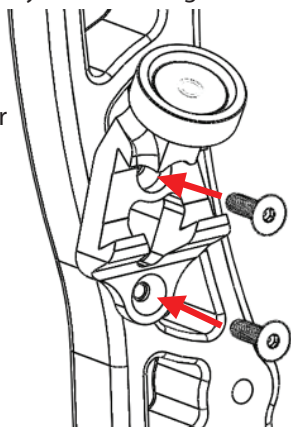
## ICONX Assembly Instructions:

1. Attach the ICONX Windage Assembly (B) to the ICONX Extension Bar (A) as shown, using two 10-32 x 3/8" Socket Head Cap Screws (F), and the 5/32" Hex Key Wrench. A good starting point is the orientation shown, though moving the ICONX Windage Assembly left or right may be necessary depending on your setup.

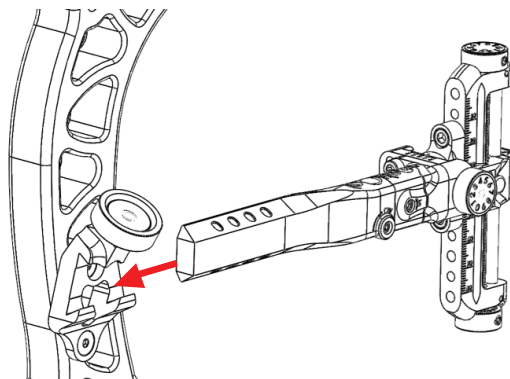
2. Attach the ICONX Elevation Frame (C) to the ICONX Windage Assembly (B) as show, using the remaining two 10-32 x 3/8" Socket Head Cap Screws (F), and the 5/32" Allen Wrench. A good starting point is to position the ICONX Windage Assembly near the center of the frame, though moving the ICONX Elevation Frame up or down may be necessary depending on your setup.



3. Attach the Mounting Bracket (D) to your bow using the two 10-24 x 1/2" Flat Head Socket Screws (E) and the 1/8" Hex Key Wrench. The Mounting Bracket can be installed with the knob up or down, depending on your setup.

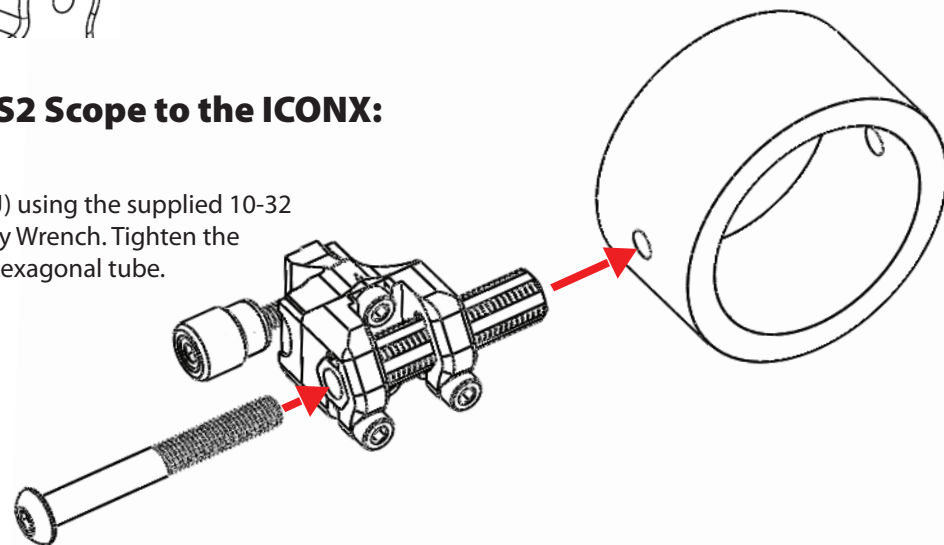


4. Attach your scope/aperture to the ICONX, (See directions following this section) and slide the ICONX Extension dovetail into the Mounting Bracket. Choose which detent in the extension best fits you, and tighten the Mounting Bracket knob to secure the ICONX in place.

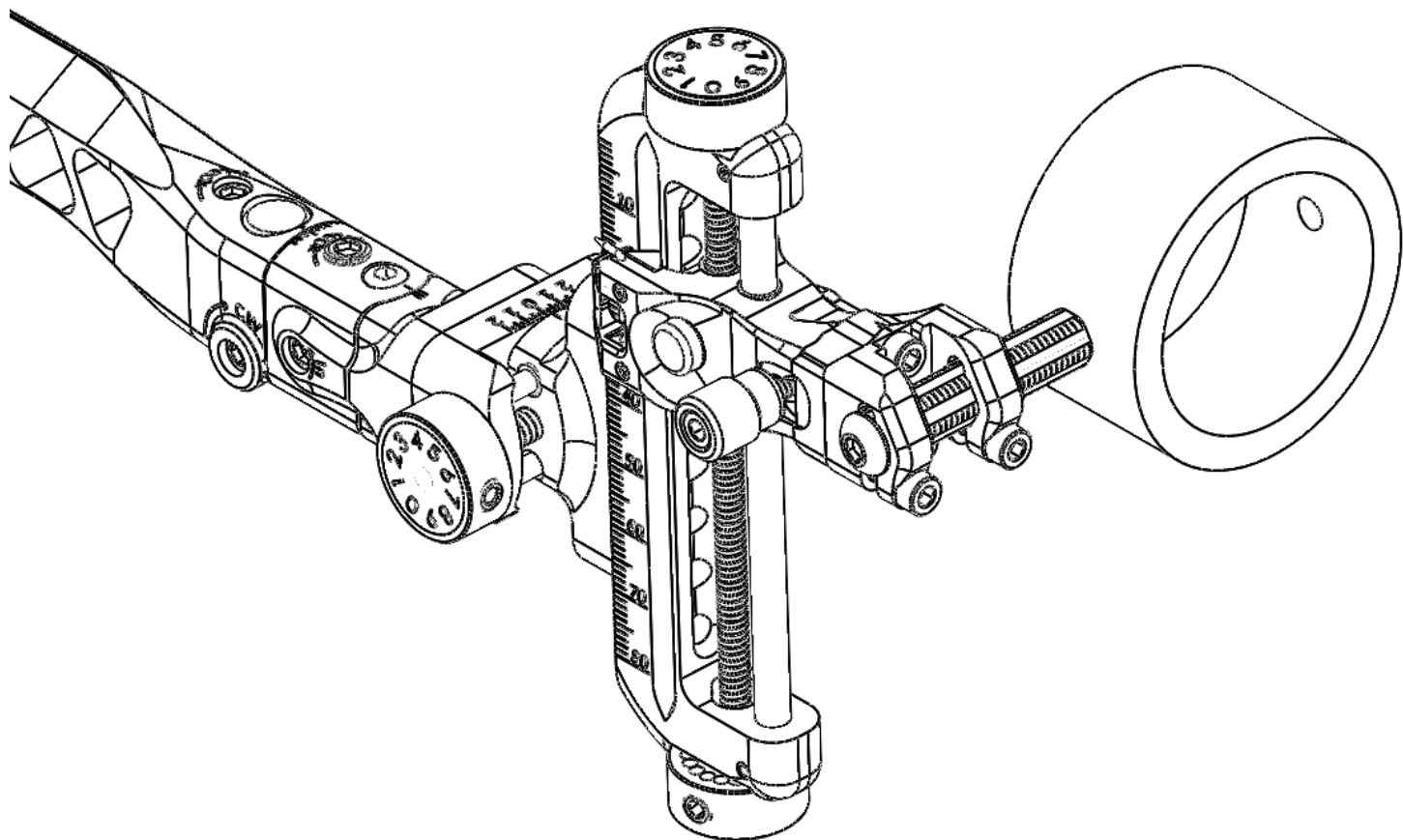


### Attaching a Scope other than the S2 Scope to the ICONX:

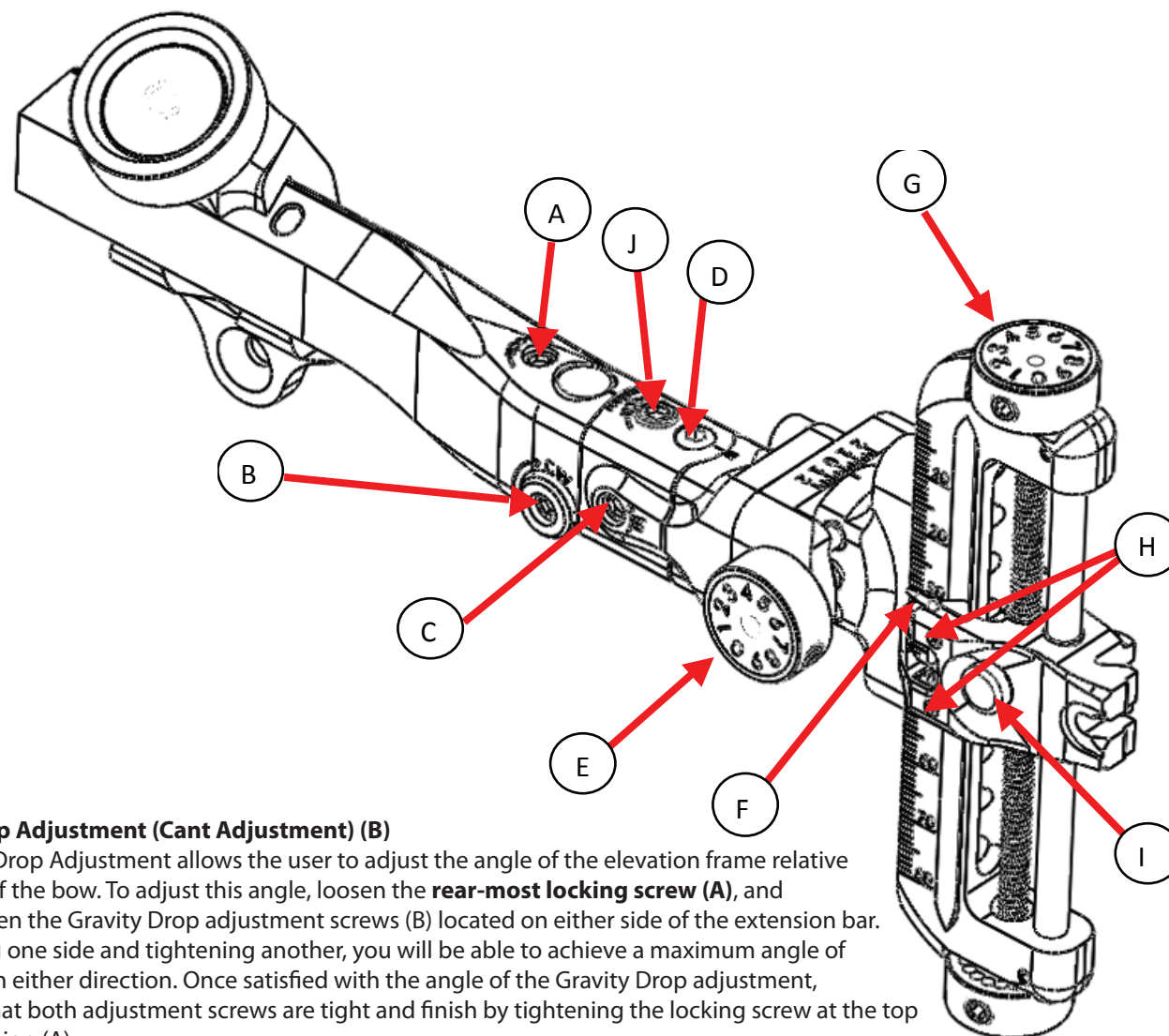
1. Attach your scope to the Scope Leveling Mount (J) using the supplied 10-32 x 1 3/4" button head cap screw (K) and 5/32" Hex Key Wrench. Tighten the screw so that the scope is secure to the end of the hexagonal tube.



2. Use the ICONX Quick Connect Knob (L) to secure the Scope Leveling Mount (J) and Scope to your ICONX. Tighten the knob until the Scope Leveling Mount is secured in place.



### ICONX Features and Adjustments



#### Gravity Drop Adjustment (Cant Adjustment) (B)

The Gravity Drop Adjustment allows the user to adjust the angle of the elevation frame relative to the riser of the bow. To adjust this angle, loosen the **rear-most locking screw (A)**, and loosen/tighten the Gravity Drop adjustment screws (B) located on either side of the extension bar. By loosening one side and tightening another, you will be able to achieve a maximum angle of 15 degrees in either direction. Once satisfied with the angle of the Gravity Drop adjustment, make sure that both adjustment screws are tight and finish by tightening the locking screw at the top of the extension (A).

#### 3rd Axis Adjustment (C)

The ICONX's 3rd axis adjustment system works similarly to the Gravity Drop adjustment system. By loosening the top locking screw (J), and loosening/tightening the 3rd axis adjustment screws (C), the user will be able to achieve a maximum angle of 5 degrees in either direction to square the sight to the bow. Once satisfied with the angle of the 3rd axis adjustment, make sure both adjustment screws are tight and finish by tightening the **locking screw (J)** at the top of the extension.

#### Reversible Windage Offset (D)

The Windage offset of the ICONX is reversible to accommodate users who need to move their sight to extreme-right or extreme-left positions. To reverse the offset of the ICONX, loosen the 3rd axis adjustment (C) and locking screw (J), and remove the 3rd Axis Hinge Screw, (D). Remove the offset bracket, and flip the offset bracket to the opposite orientation. Insert the offset bracket back into the ICONX extension, and replace the 3rd Axis Hinge Screw (D), making sure to tighten the screw all the way to the bottom. Also make sure to tighten the 3rd axis adjustment (C) and locking screw (J)

#### Windage Adjustment (E)

The Windage Adjustment of the ICONX allows the user to micro-adjust a total of .5" horizontally. Each click of the Windage adjustment knob moves the sight horizontally .002". The Windage adjustment does not have or need a locking mechanism.

#### Adjustable Pointer (F)

Each side of the ICONX Elevation Frame has an adjustable pointer. To adjust the pointer, simply loosen the screws that holds the pointer in position, using the 1/16" hex key wrench (G) provided. Once satisfied with the position of the pointer, tighten the screw.

#### Elevation Adjustment (G)

The Elevation Adjustment of the ICONX allows the user to micro-adjust the scope of the sight vertically. Each click of the Elevation adjustment knob moves the sight vertically .002". The elevation adjustment feature does not have or need a locking mechanism.

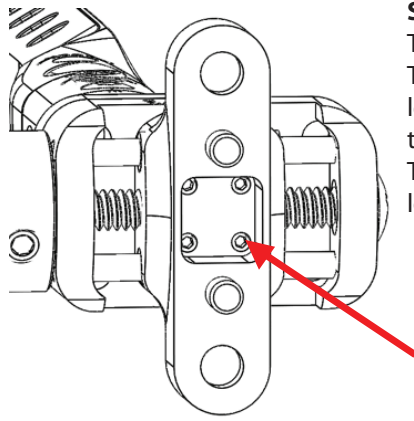
#### Elevation Tensioning System (H)

The elevation tensioning system allows the user to loosen/tighten the amount of tension they feel when making mass elevation adjustments. To adjust the elevation tension, loosen or tighten each of the four tensioning screws (H), using the supplied 1/16" hex key wrench (G), until the user is satisfied.

#### Mass Elevation Adjustment (I)

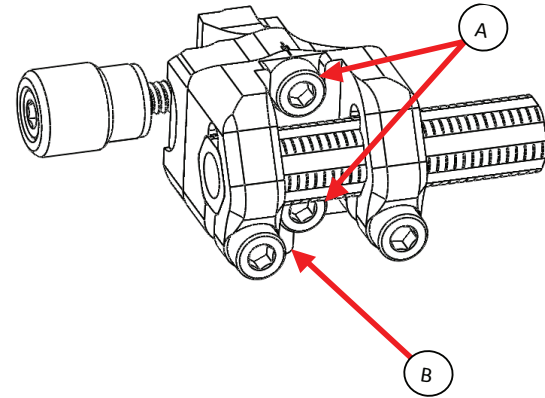
This button is used for quickly making large adjustments to the sights elevation. To use this mechanism, simply depress the button, move the sight to the desired elevation, and let the button go. No locking mechanism is needed.

**Windage Tensioning System**  
The Windage Tensioning System of the ICONX uses four screws to increase/decrease the amount of tension in the Windage Adjustment.



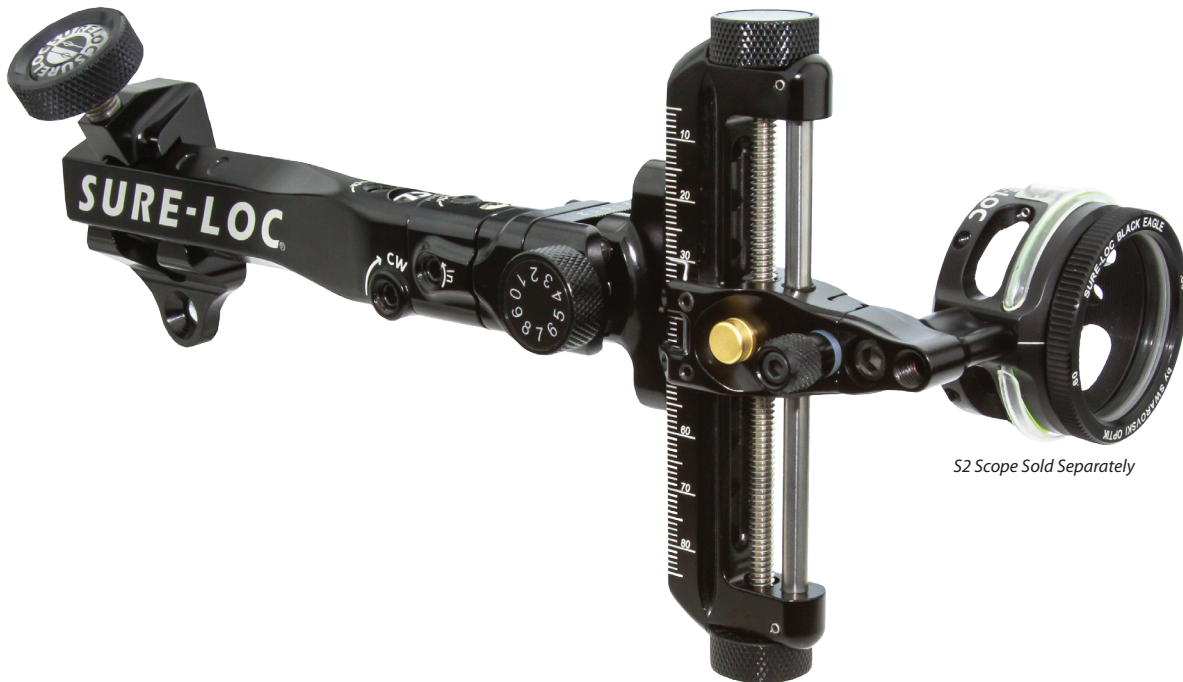
**Scope Leveling System**

The user is able to level the scope using the scope leveling mount (J). To do this, loosen the locking screws, (A), and move the lever (B) until the scope is at the desired angle relative to the elevation frame. To finish, tighten the locking screws.



## Care & Maintenance for your SURE-LOC Sight

Your SURE-LOC sight requires very little maintenance to keep adjustments crisp and firm. To prevent damage to internal threads always ensure that the engagement button is fully engaged prior to shooting. Use a spray contact cleaner to remove any dirty build up. If your sight gets wet, simply use a blow-dryer to dry it off. A **small drop** of *lightweight oil* may be used under the adjustment knobs on the ball bearing to reduce wear. But remember, oil attracts dirt so use it sparingly and keep your sight clean. **DO NOT use oil on any other moving parts of the sight.** We use special taps to resist bolt loosening and we recommend that you **DO NOT use Loctite** on any sight parts.



# SURE-LOC®

PRECISION ARCHERY SIGHTS

[www.sureloc.com](http://www.sureloc.com)

1230 Poplar Ave, Superior, WI 54880