

SWISHER
A TRADITION OF QUALITY SINCE 1945

swisherinc.com

OWNER'S MANUAL

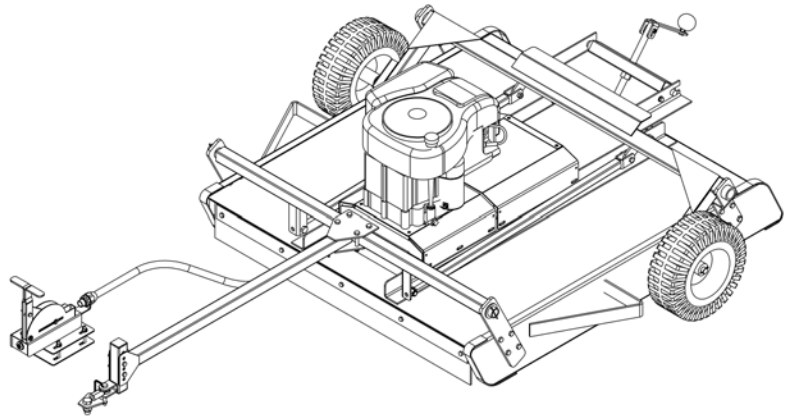
MODEL NO.
POLB10544HD
RTB105441
RTB1254412V



CAUTION:

Read and follow all
Safety Rules and
Instructions Before
Operating This
Equipment

Rev. 05-301



44" ROUGH CUT TRAILMOWER

Assembly
Operation
Service and Adjustment
Repair Parts

SWISHER
A TRADITION OF QUALITY SINCE 1945

1602 CORPORATE DRIVE, P.O. BOX 67, WARRENSBURG, MISSOURI 64093
PHONE (660) 747-8183 FAX (660) 747-8650

Manufacturing quality lawn care equipment since 1945

Made In The

USA

LIMITED WARRANTY

The manufacturer's warranty to the original consumer purchaser is: This product is free from defects in materials and workmanship for a period of two (1) year from the date of purchase by the original consumer purchaser. We will repair or replace, at our discretion, parts found to be defective due to materials or workmanship. This warranty is subject to the following limitations and exclusions:

- 1) Engine Warranty All engines utilized on our products have a separate warranty extended to them by the individual engine manufacturer. Any engine service difficulty is the responsibility of the engine manufacturer and in no way is Swisher Mower Co., Inc. or its agents responsible for the engine warranty. The Briggs & Stratton Engine Service Hot-Line is 1-800-233-3723. The Tecumseh Engine Service Hot-Line is 1-800-558-5402. The Honda Engine Service Hot-Line is 1-800-426-7701.
- 2) Commercial Use This product is not intended for commercial use and carries no commercial warranty.
- 3) Limitation This warranty applies only to products which have been properly assembled, adjusted, and operated in accordance with the instructions contained within this manual. This warranty does not apply to any product of Swisher Mower Co., Inc., that has been subject to alteration, misuse, abuse, improper assembly or installation, shipping damage, or to normal wear of product.
- 4) Exclusions Excluded from this warranty are normal wear, normal adjustments, and normal maintenance.

In the event you have a claim under this warranty, you must return the product to an authorized service dealer. All transportation charges, damage, or loss incurred during transportation of parts submitted for replacement or repair under this warranty shall be borne by the purchaser. Should you have any questions concerning this warranty, please contact us toll-free at 1-800-222-8183. The model number, serial number, date of purchase, and the name of the authorized Swisher dealer from whom you purchased the mower will be needed before any warranty claim can be processed.

THIS WARRANTY DOES NOT APPLY TO ANY INCIDENTAL OR CONSEQUENTIAL DAMAGES AND ANY IMPLIED WARRANTIES ARE LIMITED TO THE SAME TIME PERIODS STATED HEREIN FOR ALL EXPRESSED WARRANTIES. Some states do not allow the limitation of consequential damages or limitations on how long an implied warranty may last, so the above limitations or exclusions may not apply to you. This warranty gives you specific legal rights and you may have other rights, which vary from state-to-state. This is a limited warranty as defined by the Magnuson-Moss Act of 1975.

TABLE OF CONTENTS

WARRANTY.....	2	CUTTER MAINTENANCE.....	8
INTRODUCTION.....	3	TROUBLESHOOTING.....	9
SAFETY.....	3-4	DECALS.....	10
ASSEMBLY.....	4	PARTS BREAKDOWN.....	11-15
OPERATION.....	5-7		

Thank you for choosing Swisher's RC44 Trail mower. Before operating your mower, please read, understand and follow all of the safety precautions and other instructions explained in this manual . As with all power equipment, lawnmowers can be potentially dangerous if improperly used.

SAFETY PRECAUTIONS



This Safety Alert Symbol indicates important messages in this manual. When you see this symbol, carefully read the message that follows and be alert to the possibility of personal injury.

Read this manual completely. This machine can amputate hands and feet, and throw objects. Failure to observe the following safety instructions could result in serious injury or death.

- Read the manual. Learn to operate this machine safely.
- Always disconnect the spark plug wire and place the wire where it cannot contact the spark plug, to prevent accidental starting the engine when setting up, transporting, adjusting or making repairs.
- Keep all shields and guards in place.
- Understand the speed, steering and stability of this machine. Know the positions and operations of all controls before you operate this machine. Check all of the controls in a safe area before starting to work with this machine.
- Allow only responsible adults who are familiar with these instructions to operate this machine. **Never allow children to operate this machine.**
- Clear the area of objects such as rocks, toys, wire, etc. that can be picked up and thrown by the blade.
- Be sure the area is clear of other people before mowing. Be aware of the mower discharge direction and do not point at anyone. **Stop the machine** if anyone enters the mowing area. Children are often attracted to the machine and the mowing activity. ***Never assume that children will remain where you last saw them.*** Keep children under the watchful care of another responsible adult.
- **No riders!**
- Do not put hands or feet near or under rotating parts.
- Do not mow in reverse. **Always look down and behind before and during backing.**

- Turn off the blades when not mowing. Before leaving the machine, turn off the blades and stop the engine.
- Watch for traffic when operating near or crossing roadways.
- Do not operate the mower if it has been dropped or damaged in any manner or if the mower vibrates excessively. Excessive vibration is an indication of damage. Repair mower as necessary.
- Dress properly. Do not operate the mower when barefoot or wearing open sandals. Wear only solid shoes with good traction when mowing.
- Never allow operation by untrained persons.
- Do not operate the machine while under the influence of alcohol or drugs.
- Do not operate on slopes greater than 15 degrees.
- Never tamper with safety devices. Check their proper operation regularly.
- Stop and inspect the equipment if you strike an object. Repair, if necessary, before restarting. Never make adjustments or repairs with the engine running.
- Mower blades are sharp and can cut. Wrap the blades or wear gloves, and use extra caution when servicing them. Do not operate at too fast a rate.
- Return lever to its vertical position to disengage blades.
- The braking system is applied when the blades become disengaged. It is designed to bring the blades to a quick stop (approximately 7 seconds). Each Trail Mower brake system has been tested and calibrated. For safety, the consumer should not alter the braking system.

ASSEMBLY

- Disengage spark plug wire and place where it cannot make a connection.
- (Refer to Owner's Manual p.11) Attach receiver hitch parts to P/N 4866TC.
- Check engine oil. All engines are filled with oil at the factory. Verify oil level and add if necessary before starting engine. (See Engine Owner's Manual)
- Verify fuel level and add if necessary before starting engine.
- Check the battery (if so equipped). If battery is put into service after the "month & year" of the date on the battery, then it may need to be charged with a 12 volt battery charger for a minimum of 1 hour, but no more than 2 hours at a rate of 6 to 10 amps.
- Attach battery cable(s) to battery. Red wire to positive (FIRST) and black wire to negative (SECOND).
- Reconnect spark plug wire.
- (Refer to Owner's Manual p. 5) For proper operating procedures.

OPERATING YOUR TRAILMOWER



The operation of any mower can produce foreign objects to be thrown into the eyes, resulting in severe eye damage. Always wear certified safety glasses or wide-vision safety goggles over spectacles before starting any cutting machine and while operating such a machine.



The operation of any cutter produces sound waves that are damaging to the human ear. Ear protection is recommended.



CAUTION!

Tragic accidents can occur if the operator is not alert to the presence of children. Children are often attracted to the machine and the mowing activity. *Never assume that children will remain where you last saw them.*

INTENDED USE

The 44" Rugged Cut Trail Mower is designed to clear dense areas of grass and cut saplings up to 1 inch thick on golf courses and small estates. It is not intended to create a finish cut on lawns. Your Trail Mower should be towed behind an ATV, golf cart, lawn tractor, or other approved vehicle. It is not recommended for speeds exceeding 5 MPH.

ATTACHING TRAILMOWER TO TOW VEHICLE

- Back vehicle up to desired towing position.
- Offset the Trail Mower to the side opposite the tow vehicle discharge (if any). This prevents the tow vehicle from throwing grass into Trail Mower engine.
- Bolt swivel hitch (H10) to vehicle tow receiver. If tow vehicle has a ball hitch, the ball must be removed before swivel hitch can be fastened.
- Attach tow hitch and the "L" hitch (4866 & H1) to the swivel hitch. The hitch pin (H11) should go completely through both the swivel and "L" hitches and clipped to prevent accidental separation. Check that all hardware is secure at both the tow vehicle and the Trail Mower.

TRANSPORTING MOWER

- Stop Trail Mower.
- Place Trail Mower deck in its highest position.
- When transporting unattached from tow vehicle, remove spark plug wire and place it where it cannot contact the spark plug.

ENGAGING BLADES

Note: Do not start the mower with the T-handle console is in the "ENGAGED" position.

- Engage blades by pulling T-handle lever into its horizontal position.

- Return lever to its vertical position to disengage blades.
- The braking system is applied when the blades become disengaged. It is designed to bring the blades to quick stop (approximately 7 seconds). Each Trail Mower brake system has been tested. For safety, the consumer should not alter the braking system.

STOPPING THE ENGINE

- Make sure the tow vehicle parking brake is set.
- Disengage mower blades.
- Reduce engine idle speed, and allow engine to run momentarily for cooling.
- Turn key to the “OFF” position.

STARTING THE ENGINE

See engine manufacturer’s recommendations for the type and amount of oil and fuel used.

- Make sure the tow vehicle parking brake is set, mower is level, and blades are disengaged. Engine must be level to accurately check and fill oil. Do not overfill.
- Check spark plug wire, oil, and fuel.
- Check all electrical connections for build-up of debris.
- Set engine idle to “CHOKE” position.
- Turn key to the “RUN” position.
- Pull rope with a single fluid motion.
- (12V models only) Turn key to the “RUN” position, then to the “START” position.
- Set engine idle at maximum RPM for best performance.
- Allow engine to run a few moments before engaging blades.

BREAKING IN YOUR MOWER

- Set the vehicle parking brake and chock the wheels to prevent accidental rolling.
- While the engine is running, slowly, engage blade control.
- In a safe environment, i.e. no children or pets, allow blades to rotate and engine to idle for 5 minutes, breaking-in the belt for a longer life.
- Stop mower.



CAUTION: SHUT OFF THE MOWER ENGINE AND REMOVE SPARK PLUG WIRE FROM SPARK PLUG BEFORE MAKING ANY ADJUSTMENTS TO THE MOWER.

FRONT TO BACK ADJUSTMENT

For best cutting results, the mowing deck should be parallel to the ground. To check parallel adjustment, measure the distance from the bottom edge of the deck in both the front and rear of the deck. This adjustment is best done while the tow vehicle and Trail Mower are connected.

- Remove bolts and nuts from the “L” hitch (H1).
- Raise or lower hitch section to obtain proper front to back adjustment.
- Connect bolts and nuts in “L” hitch securely.

MOWER HEIGHT ADJUSTMENT

- There is approximately 3 inches of height adjustment.
- Rotate height adjust crank handle in a clockwise direction to lift the mower deck. A counter-clockwise direction is used to lower the mower deck.
- Dense areas of grass should be cut twice.
- Push handle down to lock height position.

TOW HITCH OFFSET

- When offsetting the mower do so to the side opposite the discharge of the tow vehicle.
- Swisher recommends if the tow vehicle is equipped with a mid-mount mower to overlap the cut approximately 6". This may vary depending on mowing terrain, obstacles, and/or tow vehicle. Always keep safety the first priority.
- Always keep the tow vehicle cutter raised higher than the Trail Mower.

STARTING TO MOW

- Adjust the cutting height.
- Double check vehicle to mower attachment.
- Start mower engine and set throttle to "FAST" for best cutting performance.
- Slowly engage T-handle lever.
- Carefully mount vehicle and start mowing at a slow travel speed.

STOPPING THE MOWING SESSION

- Bring tow vehicle to a complete stop, set the parking brake and disengage blades.
- Turn key switch to the "OFF" position.
- Always remember to remove keys to avoid irresponsible usage.

SUGGESTED MOWING PRACTICES

- Operate mower engine at full throttle to assure the best cutting performance and maximum material discharge.
- Allow wet grass to dry. Wet grass will clump and collect under the mowing deck.
- Mowing should be started with tow vehicle in low gear and increased only as safe mowing conditions permit. Mowing speed should not exceed 5 MPH.
- Mowing conditions and the types of grass will vary from place to place. You may find when mowing dense areas that the pressure of the wheel tracks may cause the grass to be pushed down and not effectively mowed. If this happens you may want to mow the area twice. Once with the mower raised and the second mowing at the desired height. The second mowing should be at a right angle from the previous for best results.
- Reducing the travel speed will help mow dense growth. This allows the blades the time necessary to make its initial cut, and regain momentum to continue cutting and discharging debris properly. The engine may stall if you are mowing too fast!
- Do not attempt to mow areas that the tow vehicle cannot maneuver through and/or slopes that you do not feel comfortable riding.

CUTTER MAINTENANCE

GENERAL RECOMMENDATIONS

The warranty on this cutter does not cover items that have been subjected to operator abuse or negligence. To receive full value from the warranty, operator must maintain unit as instructed in this manual.

Some adjustments will need to be made periodically to maintain your unit properly.

All adjustments in the service and adjustments section of this manual should be checked at least once each season.

BEFORE EACH SEASON

A new spark plug and clean air filter assure proper air-fuel mixture and help your engine run better and last longer.

- Replace the spark plug.
- Clean or replace the air filter.
- Check blades and belts for wear.

BEFORE EACH USE

- Check engine oil level. (Do this twice to ensure an accurate reading.)
- Check condition of air filter and clean or replace if necessary.
- Check blade operation.
- Check for loose fasteners.

DAILY MAINTENANCE

Make sure all nuts and bolts are tight and cotter pins and retainer springs are secure.

Keep blades sharp. Observe all safety precautions.

BLADE CARE AND SERVICE

For best results cutter blades must be kept sharp. The blades can be sharpened with a few strokes of a file or grinding wheel. Do Not attempt to sharpen while on the cutter.

Important: Replace blades that have been damaged or deeply nicked.

Important: Check blade and spindle hardware on a regular basis to make sure nuts are tight.



CAUTION: DO NOT HANDLE MOWER BLADES WITH BARE HANDS. CARELESS OR IMPROPER HANDLING MAY RESULT IN SERIOUS INJURY.

GENERAL TROUBLESHOOTING

The mower is not cutting level.

- Level deck. Check air pressure of all tires; make sure they are equal. See tires for maximum inflation.
- Make certain blades are installed identical, without the engine running.

The engine will not start.

- Disengage blades, turn key switch to the “OFF” position, check battery and all other electrical connections, and inspect spark plug and wire.
- Contact engine manufacturer or qualified mechanic.

Engine runs poorly.

- See engine manual.
- Check the throttle adjuster.
- Replace fuel, clean fuel filter and fuel line.
- Check spark plug and gap.

Mower bounces excessively while towing.

- Lower tire pressure.
- Tow at a lower speed.



IF PROBLEMS PERSIST HAVE A QUALIFIED MECHANIC SERVICE THE MOWER. NEVER ATTEMPT TO MAKE AN ADJUSTMENT THAT YOU ARE NOT SURE IS CORRECT. DOING SO CAN CAUSE OTHER PROBLEMS.



SAFETY AND OPERATIONAL DECALS

Replace decal immediately if damaged. Order by part number from Swisher Mower and Machine Co. Inc.



OD82-44 RUGGED CUT DECAL



OD39-SWISHER FLAG DECAL



OD29-DANGER DECAL



OD33-5MPH DECAL



OD55-DANGER DECAL



OD36-Deflector Decal



OD10-ENGAGE DECAL



OD45-WARNING DECAL



OD99-OFF/RUN DECAL

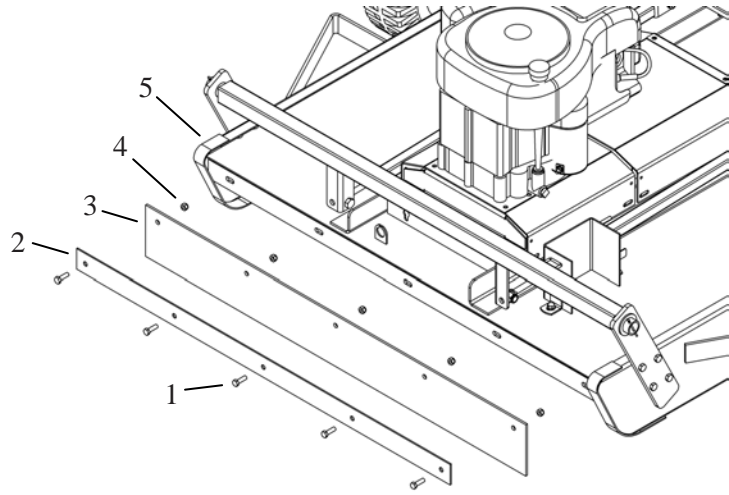


OD28-OFF/RUN/START DECAL

FRONT SKIRT ASSEMBLY

FIGURE 1

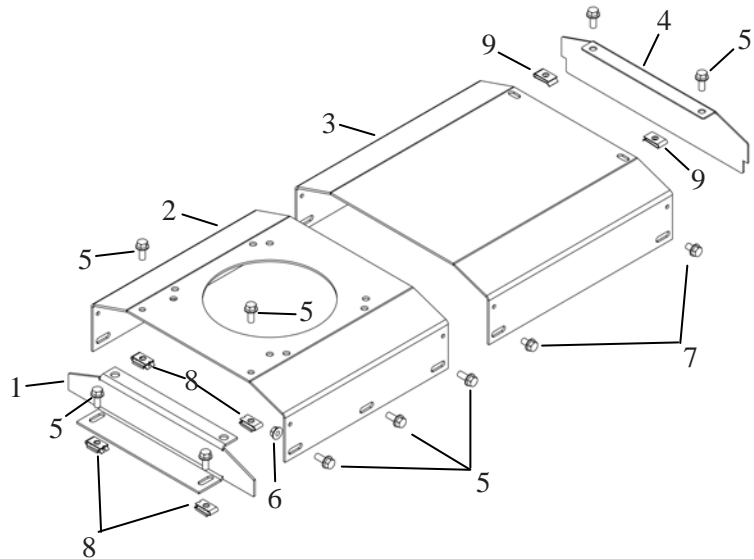
Item #	Description	Part #
1	5/16-18 X 1 HCC GR5 ZP	NB501
2	Metal Strap For Rubber Flap	4853TC
3	Rubber Flapper, 5" X 42.75"	4843
4	5/16-18 Nyloc Nut	NB181
5	Deck Weldment	4865TC



COVER ASSEMBLY

FIGURE 2

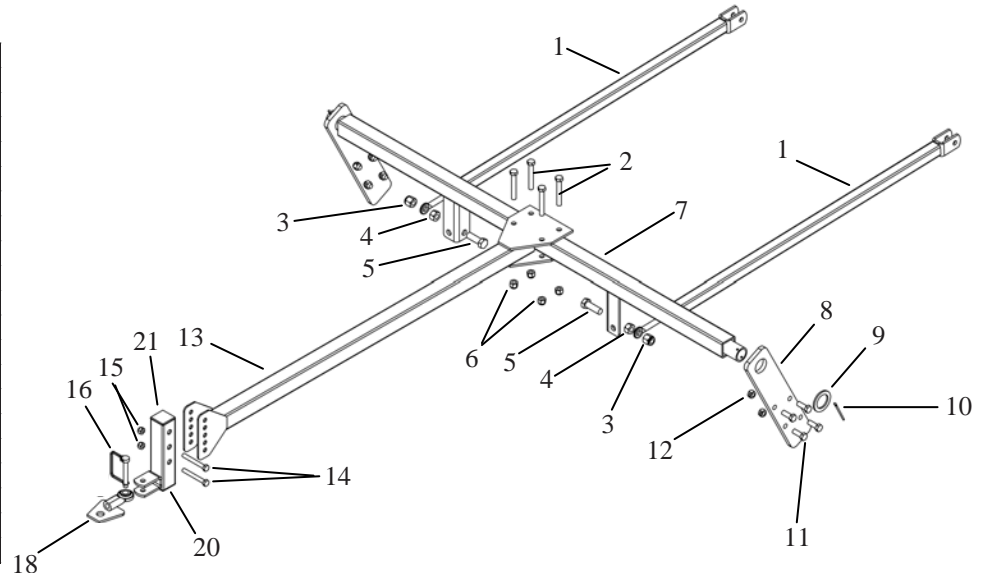
Item #	Description	Part #
1	Front Auxiliary Pulley Cover	4862TC
2	Motor Base Support	4836TC
3	Pulley Cover	4844TC
4	Rear Auxiliary Pulley Cover	4840TC
5	5/16-18 X 3/4 Serr Flg Bolt	NB596
6	5/16-18 Serrated Flange Nut	NB170
7	5/16-18 X 1/2 Serr. Flg Bolt	NB252
8	Tinnerman Clips 5/16-18 Heavy Duty	3669
9	Tinnerman Clip 5/16-18	3706



HITCH BAR ASSEMBLY

FIGURE 3

Item #	Description	Part #
1	Height Adjustment Bar	4864TC
2	3/8-16 X 2 1/2 HCC GR5 ZP	NB221
3	1/2-13 Nyloc Nut	NB281
4	1/2-13 Nut GR2 ZP	NB213Z
5	1/2-13 X 1 1/2 HTC GR2 ZP	NB617
6	3/8-16 Nyloc Nut	NB182
7	Front Torsion Bar	4861TC
8	Height Adjustment Bracket Front	4805TC
9	1 1/4ID X 1 7/8OD 10 Ga. Washer	NB185Z
10	1/8 X 2 Cotter Pin	NB633
11	3/8-24 X 1 Bolt	NB238
12	3/8-24 Two Way Locknut	NB216
13	Hitch	4866TC
14	5/16-18 X 2 1/2 HCC GR5 ZP	NB138
15	5/16-18 Nyloc Nut	NB181
16	Safety Hitch Pin	H11
18	Hitch Swivel	H10TK
20	L Hitch	H1TK
21	Plug for H1	10063
22	Plug for H1 "Prior to 7-14-04"	H1P



When ordering replacement parts

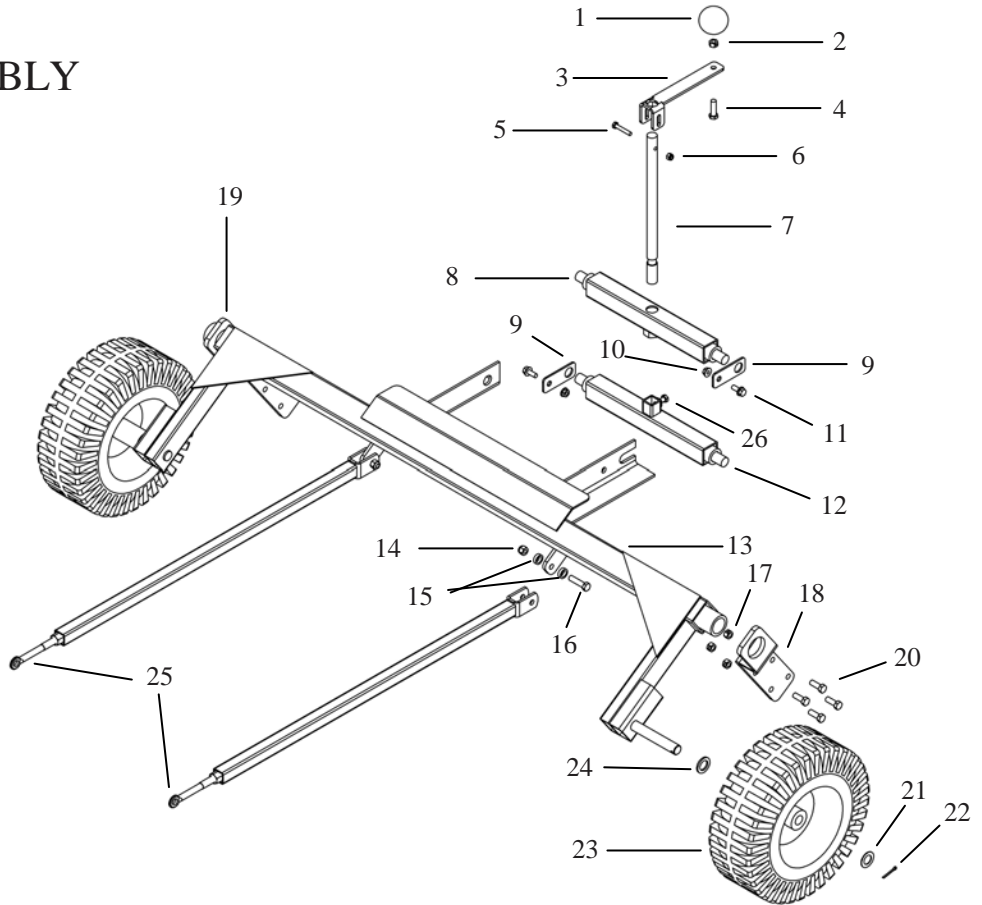
* = USE PAINT CODE:

TC=TEX.RED,S=SLIVER,TK=TEX.BLACK

REAR AXLE ASSEMBLY

FIGURE 4

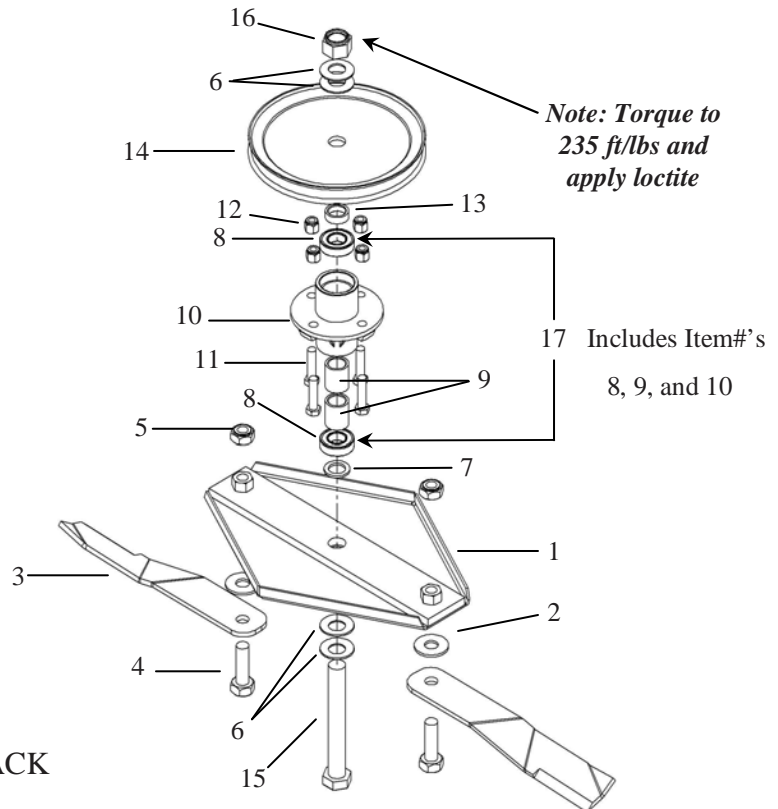
Item #	Description	Part #
1	Plastic Knob - Black	4857
2	3/8-16 2-Way Lock Nut	NB280
3	Height Adjustment Crank	4874TC
4	3/8-16 X 1 1/4 GR5 ZP	NB618
5	1/4-20 X 1 1/2 HCCGR2ZP	NB104Z
6	1/4-20 Nylok Nut	NB180
7	3/4-10 X 13 Stud w/ Groove	4829-010
8	Top Height Adjustment Bar	4850TC
9	Height Adjustment Pin Lock	4827TC
10	5/16-18 Serrated Flange Nut	NB170
11	5/16-18 X 3/4 Serr Flg Bolt	NB596
12	Bottom Height Adjustment Bar	4851TC
13	Rear Torsion Bar	4860TC
14	3/8-16 Nylok Nut Jam	NB207
15	Plastic Bushing	T2PB
16	3/8-16 X 1 1/2 HCC GR5 ZP	NB107
17	3/8-24 Two Way Locknut	NB216
18	Left Rear Height Adj Bracket	4809LTC
19	Right Rear Height Adj Bracket	4809RTC
20	3/8-24 X 1 Bolt	NB238
21	3/4 ID X 1 1/4 OD 18 GA Washer	NB179
22	1/8 X 1 Cotter Pin	NB126
23	Wheel, Tire, Bearings	4834
24	13/16 X 1 1/4 X 1/8 Washer	NB195
25	1/2-13 X 7 3/4 Eye Bolt	10038
26	5/16-18 X 1/2 Serr. Flg Bolt	NB252



BLADE DRIVER ASSEMBLY

FIGURE 5

Item #	Description	Part #
1	Stump Jumper Weldment	4859TK
2	3/4 Washer ZP	NB179
3	15" Blade	4855
4	3/4-10 X 2 1/2 GR8 Bolt	NB611
5	3/4-10 Nyloc Nut	NB609
6	1" ID X 2" OD X 14GA Bellville Washer	NB738
7	1 X 1 1/2 10GA Washer Hardened PLN	NB614HT
8	Blade Bearing	4845
9	Tube Spacer	4049
10	Blade Driver	4858TK
11	1/2-13 X 2 HCC GR5 ZP	NB509
12	1/2-13 Nyloc Nut	NB281
13	Spacer	BB105SL
14	Blade Pulley- 10.3125"	4846
15	1-8 X 7 1/2" GR8 ZP	NB737
16	1-8 Nyloc Nut ZP	NB612
17	Blade Driver Complete	4872



When ordering replacement parts

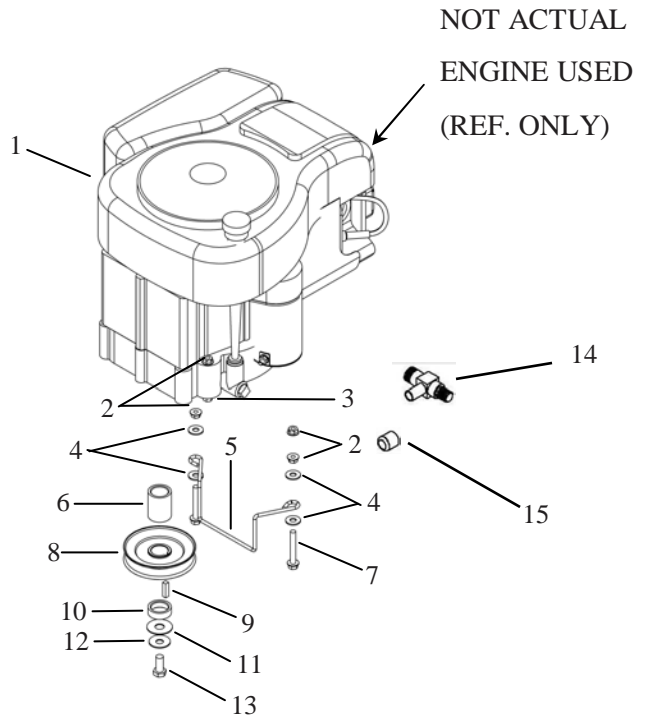
* = USE PAINT CODE:

TC=TEX.RED,S=SLIVER,TK=TEX.BLACK

ENGINE PULLEY ASSEMBLY

FIGURE 6

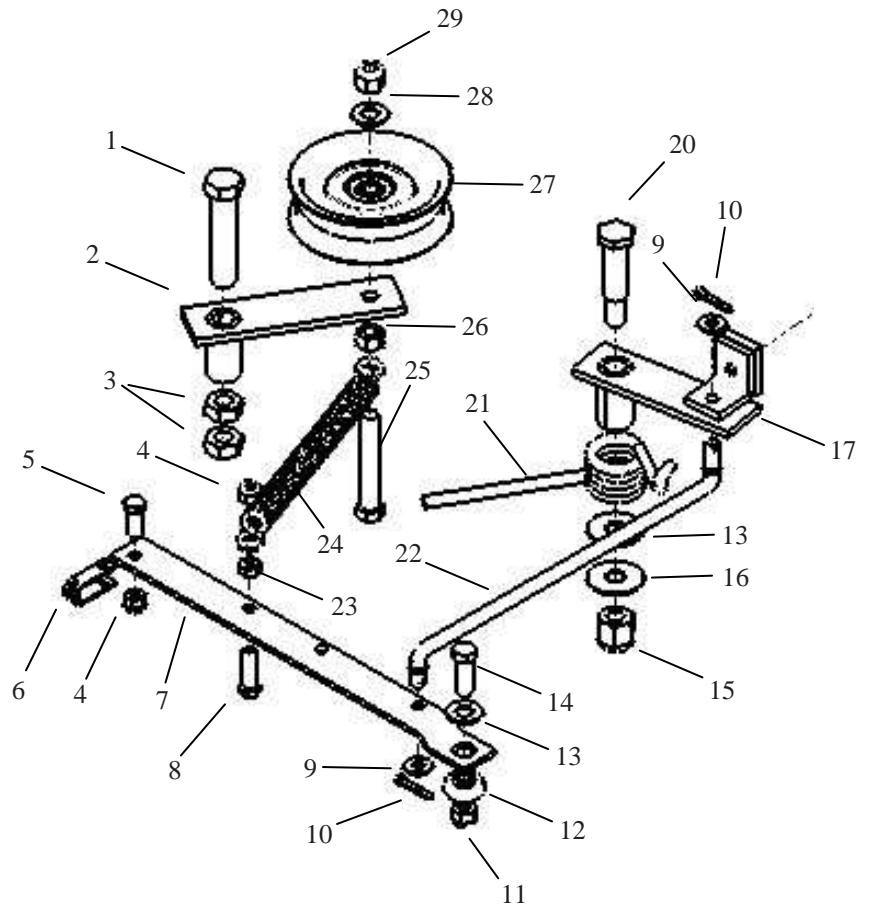
	Engine B&S 12V St W/Gas Tank	N/A
2	5/16-18 Serrated Flange Nut	NB170
3	5/16-18 X 1 1/4 Serrated Flange Bolt	NB253
4	5/16 USS Flat Washer ZP	NB556
5	RT44 Belt Guide	4867
6	Spacer For Engine Pulley	BB105S
7	5/16-18 X 2 1/4 Flang Serr. GR5 ZP	NB622
8	Engine Pulley- 4.25"OD,1 1/4 ID	BB105
9	1/4 X 1 Key Stock	9031
10	Spacer Lower For Engine Pulley	BB105SL
11	Washer	TR150W
12	Washer Belleville Engine Pulley	699
13	7/16-20 X 1 HCF GR5 ZP	NB452N
14	Oil Drain Valve	16000
15	Oil Drain Cap	AS123



BELT ENGAGE CONFIGURATION

FIGURE 7

Item #	Description	Part #
1	1/2-13 X 2 1/2 HCC GR5 ZP	NB510
2	Idler Arm	6681TK
3	1/2-13 2-Way Jam Lock Nut	NB121
4	1/4-20 Nylok Nut	NB180
5	1/4-20 X 3/4 GR5 ZP	NB250
6	Clutch Cable Clevis	9023MOD
7	Belt Engage Arm	4898TK
8	1/4-20 X 1 HCC GR5 ZP	NB102
9	1/4 SAE Washer	NB274
10	5/64 X 3/4 Cotter Pin	NB519
11	5/16-18 Nyloc Nut	NB181
12	Spacer	B99S
13	3/8 Hardened Washer	NB196
14	5/16-18 X 1 HCC GR5 ZP	NB501
15	1/2-13 Nyloc Nut	NB281
16	Washer Belleville	699
17	Brake Arm Assembly	4893
20	1/2 X 1-9/16 Shoulder Bolt	NB220
21	Torsion Brake Spring	9040
22	Brake Rod	4891TK
23	1/4-20 HX Nut ZP	NB139
24	Clutch Rod Spring	682S
25	3/8-16 X 2 1/2 HTC GR5 ZP	NB619
26	3/8-16 HNC GR2 ZP	NB212
27	Idler Pulley OD-3.25", ID-3/8"	B527
28	3/8 SAE Washer	NB272
29	3/8-16 Nyloc Nut	NB182



When ordering replacement parts

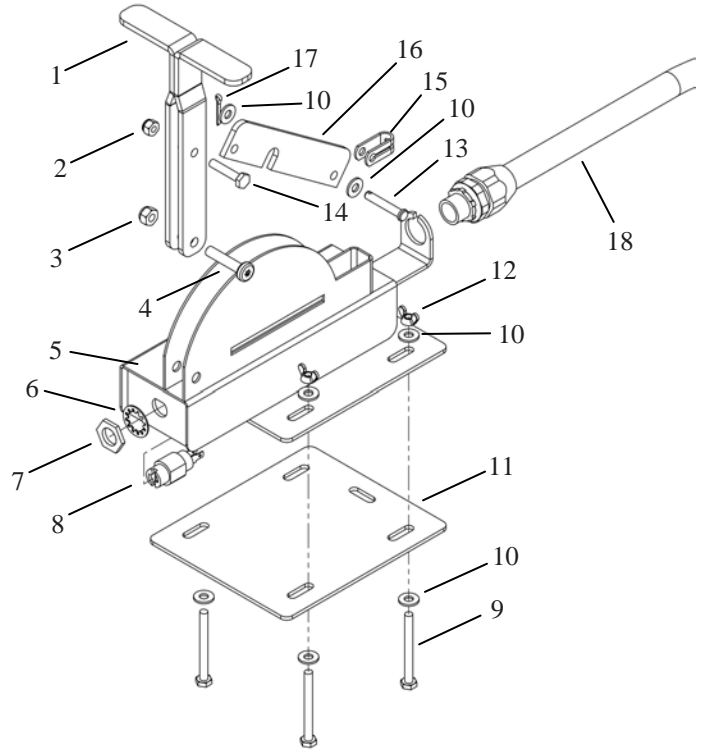
* = USE PAINT CODE:

TC=TEX.RED,S=SLIVER,TK=TEX.BLACK

CONSOLE ASSEMBLY

FIGURE 8

Item #	Description	Part #
1	T Handle for Console	4463TK
2	1/4-20 Nylok Nut	NB180
3	5/16-18 Nyloc Nut	NB181
4	5/16-18 X 1 1/2 Torx Pan ZP	NB591
5	Console Weldment	4575TK
6	Key Switch Lock Washer	9088
7	Key Switch Nut	9087
8	Key Switch ON-OFF, 2 Prong	KSM
	Key Switch	3623
9	1/4-20 X 2 1/2 HCC GR2 ZP	NB141
10	1/4 SAE Washer	NB274
11	Console Mount Plate	4852TK
12	1/4-20 Wing Nut ZP	NB608
13	1/4 X 1 1/2 Clevis Pin	NB518
14	1/4-20 X 1 1/4 HCC GR5 ZP	NB560
15	Clutch Cable Clevis	9023MOD
16	Link for Console	4461TK
17	3/32 X 3/4 Cotter Pin	NB597
18	Wiring Harness B&S	WHRT44BS
	Wiring Harness Console (12V)	WHRT44-1
	Harness & Console - RT44 B&S	4905
	Harness -Wiring, Console; RT44 12V	4911
	Harness & Console - RT44 Tecumseh	4906

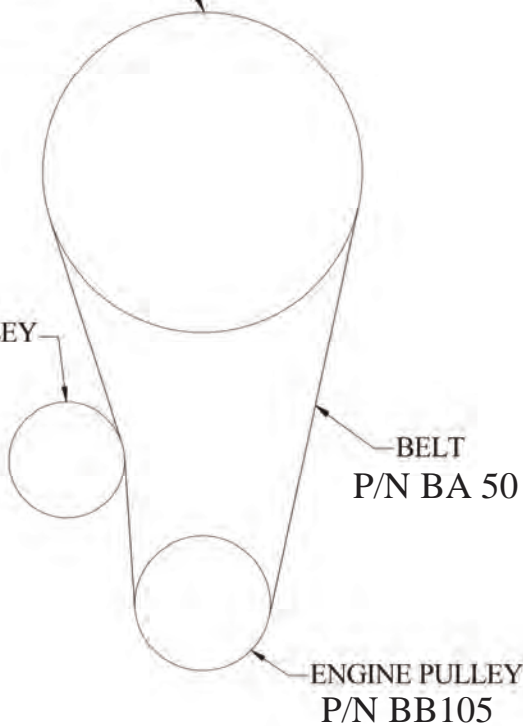


BLADE DRIVER PULLEY

P/N 4846

IDLER PULLEY

P/N B527

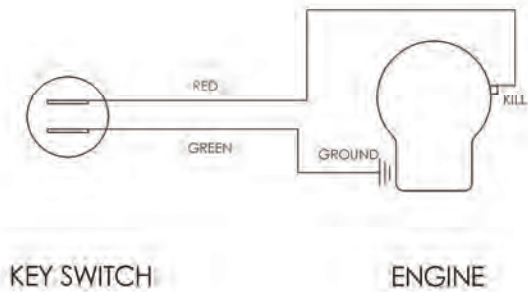


BELT
P/N BA 50

ENGINE PULLEY
P/N BB105

ENGINE PULLEY CONFIGURATION

FIGURE 9



WIRING DIAGRAM

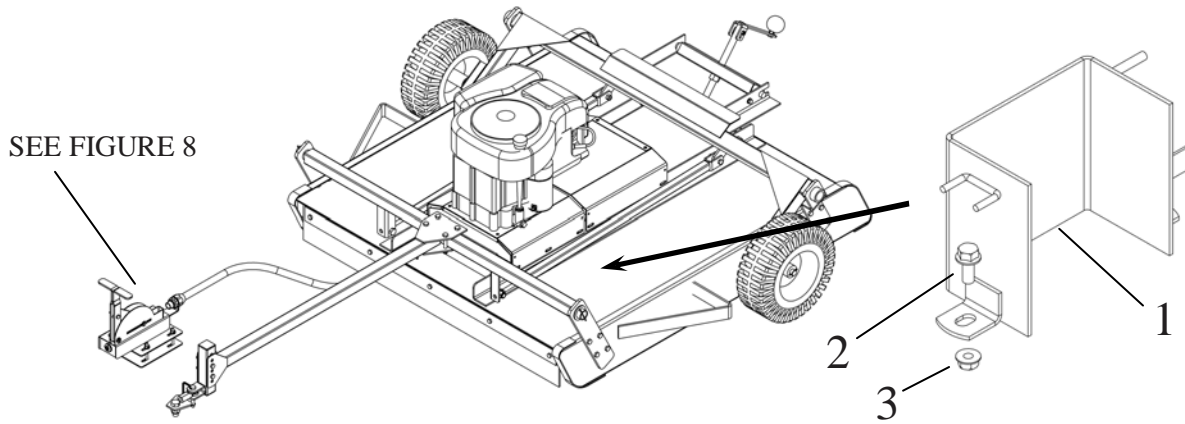
FIGURE 10

When ordering replacement parts

* = USE PAINT CODE:

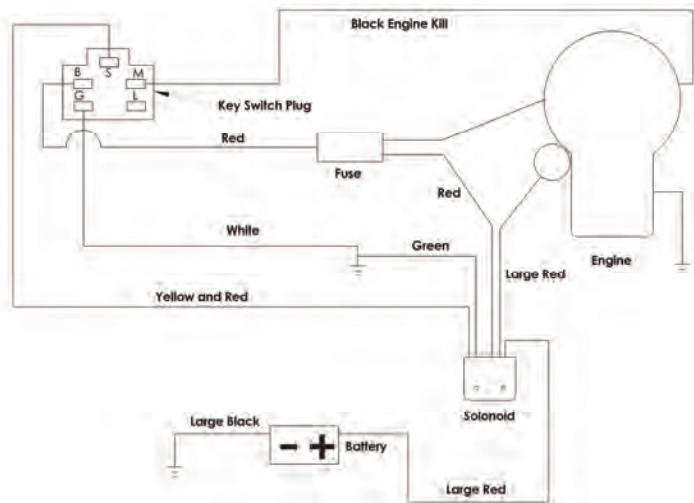
TC=TEX.RED,S=SLIVER,TK=TEX.BLACK

Rough Cut 44 12 Volt Start Replacement Parts



Item #	Description	Part #
1	Battery Bracket Weldment	4909TK
2	5/16-18 X 3/4 Serr Flg Bolt	NB596
3	5/16-18 Serrated Flange Nut	NB170
Not Shown	M6-1.0 Nut Yellow Zinc	NB600
Not Shown	Solenoid Assembly	1002004
Not Shown	Battery Hold Down, 15" Tarp Strap	BHOLD
Not Shown	Battery Cable (Black 10")	BCS
Not Shown	Battery Cable (10" Red)	BCSR
Not Shown	Battery Cable Small Rubber Boot	BCBT
Not Shown	Lower Wiring Harness	11764
Not Shown	Battery Pad	BATPAD

WIRING DIAGRAM
FIGURE 11



When ordering replacement parts

* = USE PAINT CODE:

TC=TEX.RED,S=SLIVER,TK=TEX.BLACK



swisherinc.com

OWNER'S MANUAL

**MODEL NO.
POLB10544HD
RTB105441
RTB1254412V**

44" ROUGH CUT TRAILMOWER

Each mower has its own model number. Each engine has its own model number. The model number for the mower will be found on the right hand side of the motor mount. The model number for the engine will be found on the top of the blower fan housing.

All mower parts listed herein may be ordered directly from Swisher Mower & Machine Co. Inc. or your nearest Swisher dealer.

All engine parts may be ordered from the nearest dealer of the engine supplied with your mower.

WHEN ORDERING PARTS, PLEASE HAVE THE FOLLOWING INFORMATION AVAILABLE:

- * PRODUCT - TRAILMOWER
- * SERIAL NUMBER - _____
- * MODEL NUMBER - _____
- * ENGINE MODEL NUMBER - _____
- TYPE - _____
- * PART NUMBER
- * PART DESCRIPTION

TELEPHONE - 1-800-222-8183

FAX - 1-660-747-8650

SWISHER MOWER & MACHINE CO. INC.

1602 CORPORATE DRIVE P.O. BOX 67

WARRENSBURG, MO 64093

www.swisherinc.com



SWISHER MOWER & MACHINE CO. INC.

PRINTED IN U.S.A.