



Model: SOQC935-MBK

IMPORTANT:

PLEASE NOTE WHEN YOU OPEN THE CARTON CAREFULLY CHECK THE UNIT AND MAKE SURE THERE IS NO DAMAGE. IF YOU HAVE ANY PROBLEMS WITH ASSEMBLING THE UNIT, WITH HOW THE VARIOUS FUNCTIONS WORK OR WITH DAMAGE OR MISSING PARTS PLEASE CALL 1-800-459-4409 (EST) IMMEDIATELY FOR SERVICE. NOTE: DO NOT RETURN UNIT TO THE STORE BEFORE CALLING THE TOLL FREE NUMBER. DO NOT DISPOSE OF YOUR CARTONS UNTIL YOU ARE COMPLETELY SATISFIED WITH YOUR NEW STOVE HEATER.

NOTE: Light bulbs may become loose during shipping. If the flame effect is dim or does not work, please check that light bulb or bulbs are finger tight in socket. See instructions for replacing bulb or bulbs.

INSTRUCTION MANUAL

ATTENTION:

- 1) Find a location for the stove heater that is protected from direct sunlight.
- 2) Do not plug the unit into the power outlet before reading all instructions.

SAVE THESE INSTRUCTIONS FOR FUTURE USE.

IMPORTANT SAFETY INSTRUCTIONS

WHEN USING ELECTRICAL APPLIANCES, BASIC PRECAUTIONS SHOULD ALWAYS BE FOLLOWED TO REDUCE THE RISK OF FIRE, ELECTRIC SHOCK, AND INJURY TO PERSONS, INCLUDING THE FOLLOWING:

- 1) Read all instructions before using this electric stove heater.
- 2) This electric stove heater is hot when in use. To avoid burns, do not let bare skin touch hot surfaces. If provided, use handles when moving this heater. Keep combustible materials, such as furniture, pillows, bedding, papers, clothes, and curtains at least 3 feet (0.9 m) away from the front of the unit and keep them away from the sides and rear.
- 3) Extreme caution is necessary when any heater is used by or near children or individuals with disabilities and whenever the stove is left operating and unattended.
- 4) Always unplug stove when not in use.
- 5) Do not operate any heater with a damaged cord or plug or after the heater malfunctions, has been dropped or damaged in any manner. Discard heater, or return to authorized service facility for examination and/or repair.
- 6) Do not use outdoors.
- 7) This electric stove heater is not intended for use in bathrooms, laundry areas and similar indoor locations. Never locate heater where it may fall into a bathtub or other water container.
- 8) Do not run cord under carpeting. Do not cover cord with throw rugs, runners, or similar coverings. Do not route cord under furniture or appliances. Arrange cord away from traffic area and where it will not be tripped over.
- 9) To disconnect stove, turn controls to off, then remove plug from outlet.
- 10) Do not insert or allow foreign objects to enter any ventilation or exhaust opening as this may cause an electric shock or fire, or damage the heater.
- 11) To prevent a possible fire, do not block air intakes or exhaust in any manner. Do not use on soft surfaces, like a bed, where openings may become blocked.
- 12) A heater has hot and arcing or sparking parts inside. Do not use it in areas where gasoline, paint, or flammable liquids are used or stored.

- 13) Use this stove heater only as described in this manual. Any other use not recommended by the manufacturer may cause fire, electric shock, or injury to persons.
- 14) Always plug heater directly into wall outlet / receptacle. Never use with an extension cord or re-locatable power tap (outlet/ power strip).
- 15) Caution: Do not plug this product into a receptacle controlled by a wall switch or dimmer.
- 16) When storing or transporting the unit and cord, keep in a dry place, free from excessive vibration and store so as to avoid damage.

CAUTION:

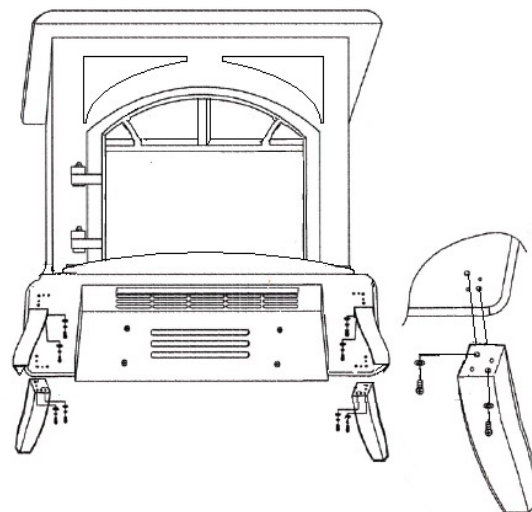
IF YOU USE THIS HEATER IN CONJUNCTION WITH A THERMAL CONTROL, A PROGRAM CONTROLLER, A TIMER OR ANY OTHER DEVICE THAT SWITCHES THE HEATER ON AUTOMATICALLY, REMEMBER TO OBSERVE ALL SAFETY WARNINGS AT ALL TIMES. THE STOVE HEATER HAS SAFETY OVERHEAT PROTECTION. IF THE OVERHEAT PROTECTION TRIPS, SWITCH OFF ALL SWITCH BUTTONS AND WAIT APPROXIMATELY 5 -10 MINUTES. IT SHOULD RESET AUTOMATICALLY ONCE THE UNIT COOLS DOWN.

NOTE: The stove may emit a slight harmless odor when first turned on. This is caused by activating the internal heater components for the first time and should not occur again.

A 15 AMP circuit is required to operate this heater. If the breaker trips when the heater is used then you may need to move the heater to another location or unplug other appliances that are on the same circuit. If you require an extension cord use one that is rated at 1875 watts.

LEG ASSEMBLY:

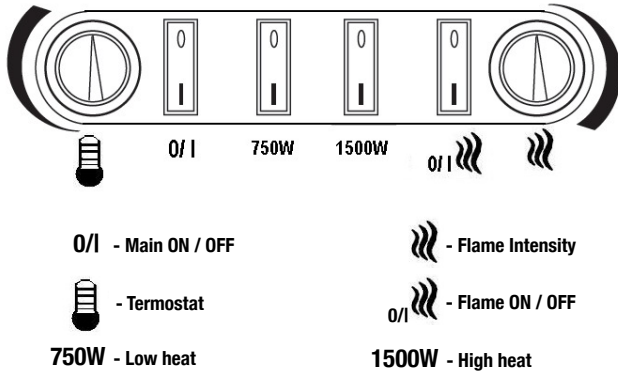
Before using your unit, please install the leg as shown in diagram below:



After completely reading instructions, confirm that all controls on stove are in the OFF position. Plug the unit into a 15 amp, 120 volt outlet.

OPERATION:

Controls and switches are located on front panel inside the glass door.



Main ON / OFF: Press this button to turn ON the main power of the unit. The indicator light besides the air exit will turn on.

FLAME ON / OFF: Press this button to turn ON the flame function. The indicator light will turn on. Adjust the flame Intensity knob for desired flame effect.

750W: For low heat function – press this switch for low heat. The indicator light will turn on.

1500W: For high heat function - press this switch while the 750W switch is in the "I" position for high heat. The indicator light will turn on.

THERMOSTAT: To adjust the temperature to your individual requirements. Turn the thermostat dial to the right (clockwise) to increase the desired temperature and to the left for lower temperature. This thermostat control dial can only be used while the 750W / 1500W switches are in the "I" position. When the heater reaches the desired temperature, the heater and 750W / 1500W indicator light will turn off. Adjust this knob to restart the heater.

FLAME INTENSITY: Turn the dimmer dial clockwise or counter clockwise to get the desired flame intensity. The dimmer switch can only be used when the FLAME ON /OFF switch is in the "I" position. Turn this dial to the left end will switch off the flame effect.

THERMOSTAT CONTROL

The heat output is controlled by the thermostat, according to the room temperature. Set the thermostat dial clockwise to the maximum position initially. When the room is warm enough, reduce the setting by slowly turning the thermostat dial counter clockwise until the heater just clicks OFF. This will then maintain the room temperature at the desired level.

CAUTION: IF YOU USE THIS HEATER IN CONJUNCTION WITH A THERMAL CONTROL, A PROGRAMMABLE CONTROLLER, A TIMER OR ANY OTHER DEVICE THAT SWITCHES ON THE HEATER AUTOMATICALLY, REMEMBER TO OBSERVE ALL SAFETY WARNINGS AT ALL TIMES.

THE STOVE HEATER HAS A SAFETY OVERHEAT PROTECTION. IF THE OVERHEAT PROTECTION TRIPS, TURN OFF ALL THE SWITCHES AND UNPLUG THE POWER CORD FROM THE RECEPTACLE. IT SHOULD RESET AUTOMATICALLY AFTER 5 MINUTES.

WARNING: DISCONNECT POWER AND UNPLUG THE POWER CORD BEFORE ATTEMPTING ANY MAINTENANCE OR CLEANING TO REDUCE THE RISK OF FIRE, ELECTRIC SHOCK OR PERSONAL INJURY. THE BULB(S) IN YOUR UNIT CAN BECOME EXTREMELY HOT. ALLOW AT LEAST 10 MINUTES BETWEEN TURNING OFF THE UNIT AND REMOVING THE LIGHT BULBS TO AVOID ACCIDENTAL BURNING OF THE SKIN.

FLAME EFFECT

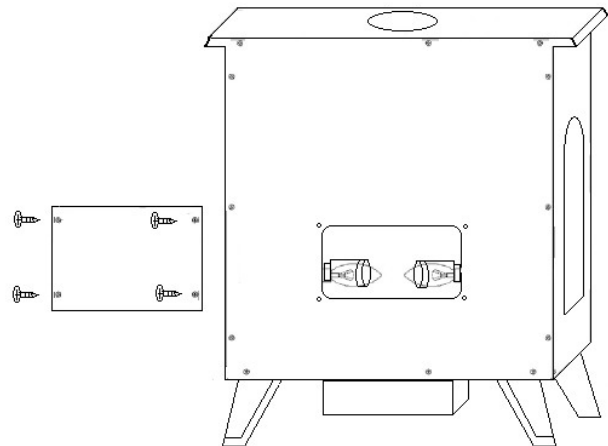
The fire effect is created with the use of two, 40 watts B-10 candelabra light bulb with E12 (small) socket base. The light bulb will have to be replaced from time to time when they burn out.

During normal operation, the stove heater will always give you simulated flame function. If the intensity of flame suddenly increases, it means that the light bulb is going to burn out.

Replace the light bulbs immediately, according to the instructions. Do not operate the stove heater when the light bulb burns out or without the light bulb.

CHANGING THE LIGHT BULB

Unplug the unit and wait until it is cool before any maintenance.



STEP 1: Remove 4 screws on the back of the unit and remove the rear cover.

STEP 2: You will find 2 x 40W Type B-10 Candelabra light bulb with E-12 socket base at the bottom.

STEP 3: Release the spring holder of light bulbs. Replace the burned out light bulb using a new 40 watt Type B-10 candelabra light bulb.

STEP 4: Fix the light bulb with spring holder. Replace the rear cover with 4 screws.

STEP 5: Plug in the unit.

CLEANING

To clean unit first turn off controls on unit and unplug unit from power source.

To clean glass door; remove dust with clean dry cloth or to remove finger prints and other marks clean glass with clean damp cloth. Do not use abrasive cleaners or spray liquids on glass door surface.

Metal and metal painted parts should be cleaned with damp cloth. Do not use abrasive cleaners or spray liquid on these surfaces.

STORAGE

When the heater is not in use, the heater shall be stored in dry location and away from possible damage. The power cord shall be routed properly and avoid from contacting hot/sharp objects.

WARRANTY

Every electric stove heater is tested before it leaves the factory and it is guaranteed for one year. If the unit should fail to operate correctly within one year from the date of purchase, call customer service at 1-800-459-4409 (EST). We will, at our discretion either repair or replace the unit. It will have to be returned to us freight prepaid and we will return the repaired or replaced unit to you freight prepaid. The company's sole obligation is to repair or replace the unit.

This warranty is void if in the opinion of Quality Craft the unit has been tampered with, altered, misused, damaged, abused or used with the wrong power source. Light bulbs and remote batteries are not covered by this warranty. The warranty is for homeowner use only and does not cover units used in commercial situations.

Imported by

Quality Craft

Laval, Quebec, Canada H7S 2G7

1-800-459-4409 (EST)

www.qualitycraft.com

Made in China



Intertek