

# TOSHIBA

## Satellite® A75 Series

### Feature Model(s):

#### Satellite A75-S226

Mobile P4 532 (3.06GHz)/15.4" WXGA/512MB/60GB/DVD-SuperMulti/Mdm/LAN/Wi-Fibg/WinXP Home

#### Satellite A75-S2261

Mobile P4 532 (3.06GHz)/15.4" WXGA/512MB/60GB/DVD-SuperMulti/Mdm/LAN/Wi-Fibg/WinXP Pro

**Part Numbers**  
**PSA70U-004004**

**PSA70U-004005**

### Product Highlights

#### Performance

- Mobile Intel® Pentium® Processor supporting Hyper-Threading Technology
- 512MB of Main Memory

#### Great Features

- 60GB<sup>1</sup> hard disk drive
- DVD-SuperMulti
- 15.4" widescreen WXGA TFT active matrix display<sup>2</sup>

#### Get On-Line

- Integrated V.92/56K modem
- Integrated 10/100 Ethernet LAN
- Integrated Wireless LAN (802.11bg)<sup>3</sup>

### System Characteristics

#### Operating System

- Microsoft® Windows XP Home pre-installed (A75-S226)
- Microsoft® Windows XP Professional pre-installed (A75-S2261)

#### CPU

- Mobile Intel® Pentium® 4 Processor 532 supporting Hyperthreading Technology
  - 3.06GHz<sup>4</sup>, 1MB L2 cache, 533MHz FSB
- ATI® MOBILITY™ RADEON™ 9000 IGP chipset

#### Memory

- 512MB (1 DIMM) fixed memory slot with 1 available upgradeable slot; expandable to 1536MB
  - Data/Address Bus Width: 64bit/32bit
- Optional available expansion memory modules: 256MB/512MB/1024MB, SODIMM; Memory compatible with PC2700 DDR333

#### Mass Storage/Optical Drive

- **Primary Hard Disk Drive:** 60GB<sup>1</sup> hard disk drive, Enhanced IDE (ATA-6) interface, 4200rpm drive rotation; 9.5mm height, Service Removable
- **DVD-SuperMulti Drive:** Enhanced IDE (ATAPI) Interface; Maximum speed: CD-ROM (24x read), CD-R(24x read/16x write), CD-RW(12x read/4x write), DVD-ROM(8x read), DVD-R (4x read/4x write), DVD-RW (4x read/2x write), DVD+R (4x read/2.4x write), DVD+RW (4x read/2.4x write), DVD-RAM (2x read/2x write); Service removable

#### Graphics/Video

- 15.4" widescreen TFT WXGA LCD<sup>2</sup>, display supports up to 16M colors at 1280X800
- ATI® MOBILITY™ RADEON™ 9000 IGP with 64MB shared video memory
- DirectX8 supported by hardware and DirectX9 supported by software
- Direct 3D support and DirectVideo
- Supported external resolution/color/maximum external refresh rate:

|             |                    |                |
|-------------|--------------------|----------------|
| 640 x 480   | 16bit/32bit colors |                |
| 800 x 600   | 16bit/32bit colors | 60/75/85/100Hz |
| 1024 x 768  | 16bit/32bit colors | 60/75/85/100Hz |
| 1280 x 1024 | 16bit/32bit colors | 60/75/85/100Hz |
| 1600 x 1200 | 16bit/32bit colors | 60/75/85/100Hz |
| 1920 x 1440 | 16bit/32bit colors | 60/75/85Hz     |
| 2048 x 1536 | 16bit/32bit colors | 60Hz           |

#### Input Devices

- **Keyboard:** Full sized 85 keys with 12 function keys, 2.7mm key stroke, 6mm height; Dedicated Windows® keys support; HotKey function; TouchPad pointing device
- **CD Control Function:** Play/Pause, Stop/Eject, Previous, Skip/Next

(Only works when system is turned on)

#### Expandability

- 1 memory slot available
- 5-in-1 media adaptor (SmartMedia, MemoryStick/ MemoryStickPro, Secure Digital, MMC, xD-picture card)
- 1 PC Card slot support 1 Type II PC Card

#### Communications

- Integrated V.92/56K modem; Data and fax support  
*Due to FCC limitations, speeds of 53kbps are the maximum permissible transmission rates during download. Actual data transmission speeds will vary depending on line conditions.*
- Integrated 10/100 Ethernet LAN
- Integrated Wireless LAN (Atheros 802.11bg)<sup>3</sup>

#### Ports

- Parallel printer port
- RGB (monitor) port
- 3 Universal Serial Bus ports (USB)
- TV-Out Port (S-video)
- i.Link® port (IEEE 1394)
- RJ-45 LAN Port
- RJ-11 modem port

#### Physical Description

- Dimensions (LxWxH): 14.4" x 10.8" x 1.81" (2.12" with feet)
- Weight: starting at 7.98 lbs<sup>5</sup>
- LED Indicators: Power/Power Save Mode/ System Sleep/Suspend status, HDD, CD/DVD-ROM, DC-IN, Caps Lock, Arrow, Numeric, Main Battery Charging Status, Wireless Communication switch

#### Sound

- Realtek ALC250 Codec Chip; Software Sound
- Built-in stereo speakers; Sound Volume (by dial), Direct 3D Sound (supported by driver), DirectSound (supported by hardware) and DirectMusic (supported by hardware); MIDI Support; Sound Volume (by Dial); Full Duplex Support
- **Ports:** External microphone port (monaural), headphone port (stereo)

#### Power Supply

- **AC Adapter:** 120W external AC Adapter, 100-240V / 50-60Hz frequency (Universal) input voltage, 19V x 6.3A Output.  
**Dimensions (LxWxH):** 5.91" x 2.56" x 1.42"  
**Weight:** starting at 1.43lbs<sup>5</sup>
- **Battery Pack:** 12-cell, rechargeable, removable Lithium Ion (Li-Ion) battery, 14.8V x 6450mAh
- **Dimensions (LxWxH):** 10.7" x 1.04" x 2.82"
- **Weight:** starting at 1.49lbs<sup>5</sup>
- **Battery Saver (in Windows XP):** Stand by, HDD Auto Off, Display Auto Off, Throttling, Hibernation
- **Battery life (main batt):** Please see battery life section<sup>6</sup>
- **Recharge time (main off/on):** Approx 12H(on)/ 4H(off)  
*Battery life may vary depending on product model, configuration, applications, power management settings and features utilized. Recharge time varies depending on usage. Battery may not charge while computer is consuming full power. After a period of time, the battery will lose its ability to perform at maximum capacity and will need to be replaced. This is normal for all batteries. To purchase a new battery pack, see the accessories that shipped with your computer or visit the Toshiba website at [www.accessories.toshiba.com](http://www.accessories.toshiba.com)*

#### Security

- Slot for computer lock, HDD (6 screws) and memory (1 screw), Battery (latch), User Power-on password, Setup Security (by help of SVPW utility), Screen Blank (by Hotkey), Screen Saver (by software)

#### Bios

- ACPI, PnP, VESA, DPMS, DDC, SM BIOS, PCI BIOS support

Toshiba America Information Systems Inc. ("TAIS") shall not be liable for damages of any kind for use of this information, which is subject to change without notice.

©2004 Toshiba America Information Systems, Inc. All rights reserved

.Satellite\_A75-S226 v1.2

Created on 7/21/2004 11:41 AM Rev. 1.2

Page 1 of 10

**Additional Software**

- Microsoft® Works
- Microsoft® Office OneNote™ 2003
- Software Decoder: InterVideo® (Win-DVD™ 5) -w/SRS TruSurround XT® Technology (SRS TruSurround XT® Technology features: TruSurround, SRS Dialog Clarity Enhancement, & TruBass)
- Sonic® Solutions Drive Letter Access (DLA)
- Sonic® Solutions RecordNow!™ Basic
- InterVideo® WinDVD Creator 2 Platinum™
- Intuit® Quicken® New User Edition 2004
- Norton® AntiVirus™ 2004 – w/3-Month Subscription
- AOL® (3 –Month offer)  
*AOL OFFER DETAILS: Availability may be limited, especially during peak times. TO AVOID BEING CHARGED A MONTHLY MEMBERSHIP FEE, SIMPLY CANCEL BEFORE THE THREE-MONTH PROMOTIONAL PERIOD ENDS. Premium services carry surcharges and communication surcharges may apply, including AK, even during promotional period. Members may incur telephone charges on their phone bill, depending on their location and calling plan, even during promotional period. Available to new AOL members in the United States, age 18 or older; a major credit card or checking account is required.*
- Adobe® Acrobat® Reader
- AT&T® Worldnet® Service – 1 Month FREE  
*Telephone access and other charges and other terms and conditions may apply. Offer available to new customers only.*
- QuickTime™ Player
- RealOne™ Player 8 Basic
- Microsoft® Internet Explorer
- Napster® online digital service (30-day trial)

**Toshiba Software**

- Toshiba Notebook Maximizer
- Toshiba Speech System
- Toshiba ConfigFree™
- Toshiba Custom Utilities
- Toshiba Touch and Launch

**Warranty**

- 1 year parts, labor and battery limited warranty

**SelectServ® Warranty Programs**

Selected Toshiba Services Warranty Upgrades and Extensions\*

- 2nd/3rd Year Warranty Extension SWP-PEQQ3V
- 3 Year SystemGuard + Warranty Extension SWP-PEGQ3V
- 3 Year At-Home Repair + Warranty Extension SWP-PEQH3V
- 3 Year ServiceExpress + Warranty Extension SWP-PEQP3V
- 3 Year Business On-Site Repair + Warranty Extension SWP-PEQN3V

\* Additional programs are available. Visit [www.extendedwarranty.toshiba.com](http://www.extendedwarranty.toshiba.com) for more information

**Environmental Specifications**

- **Temperature:** Operating: 5° to 30°C (41° to 86°F); Non-operating: -20° to 65°C (-4° to 149°F)
- **Thermal gradient:** Operating: 15°C per hour maximum; Non-operating: 20°C per hour maximum
- **Relative Humidity:** Operating: 20% to 80%; Non-operating: 10% to 95%
- **Altitude (relative to sea level):** Operating: -60 to 3,000 meters; Non-operating: -60 to 10,000 meters
- **Shock:** Operating: 10G; Non-operating: 60G
- **Vibration:** Operating: 0.5G; Non-operating: 1.0G

**Selected Accessories**

| Category        | Part Number  | Description                                  |
|-----------------|--------------|--|
| AC adapter      | PA3290U-2ACA | Toshiba 120W Global AC Adapter (smaller tip) |
| Primary Battery | PA3383U-1BRS | Toshiba Li ION Battery (12 cell)             |
| FDD             | PA3109U-1FDD | Toshiba USB FDD Kit                          |
| Input           | PA1336U-1NKB | Toshiba USB Keyboard                         |
| Input           | PA1337U-1NMS | Toshiba USB Optical Mouse                    |
| Memory          | KTT3311/256  | Kingston 256MB Memory                        |
| Memory          | KTT3311/512  | Kingston 512MB Memory                        |
| Memory          | KTT3311/1G   | Kingston 1GB Memory                          |
| Cases           | PA1335U-1NCS | Toshiba Ambassador Leather Case              |
| Cases           | NWCER2       | Excursion Roller 16"                         |
| Cases           | PA1362U-1NCS | Toshiba BackPack                             |
| Cases           | PA1360U-1NCS | Toshiba Nylon Case                           |
| Cases           | PA1361U-1NCS | Toshiba Executive Leather Case               |
| Security        | NWDEFCL      | Targus-Noteworthy DEFCON CL Cable Lock       |

|                   |                 |  |
|-------------------|-----------------|--|
| Storage & Back-up | HDD1232CZP41002 | Toshiba 5GB Type II PC Card HDD w/Back-up software |
| Storage & Back-up | ABSPLUS-60.0    | CMS ABSplus 60GB PCMCIA Automatic Backup System    |
| Storage & Back-up | ABSPLUS-80.0    | CMS ABSplus 80GB PCMCIA Automatic Backup System    |
| Storage & Back-up | UABS2-60.0      | CMS ABSplus 60GB USB 2.0 Automatic Backup System   |
| Storage & Back-up | UABS2-80.0      | CMS ABSplus 80GB USB 2.0 Automatic Backup System   |

Go to [www.accessories.toshiba.com](http://www.accessories.toshiba.com) for additional, available accessories

<sup>1</sup>Hard Drive Capacity. 1 Gigabyte (GB) means 1000 x 1000 x 1000 = 1,000,000,000 bytes using powers of 10. The computer operating system, however, reports storage capacity using powers of 2 for the definition of 1 GB = 1024 x 1024 x 1024 = 1,073,741,824 bytes, and therefore may show less storage capacity. Available storage capacity will also be less if the product includes one or more pre-installed operating systems, such as Microsoft Operating System and/or pre-installed software applications, or media content. Actual formatted capacity may vary.

<sup>2</sup>TFT Disclaimer. Small bright dots may appear on your TFT display when you turn on your PC. Your display contains an extremely large number of thin-film transistors (TFT) and is manufactured using high-precision technology. Any small bright dots that may appear on your display are an intrinsic characteristic of the TFT manufacturing technology. Over a period of time, and depending on the usage of the computer, the brightness of the LCD Screen will deteriorate. This is an intrinsic characteristic of LCD technology.

<sup>3</sup>The transmission speed over the wireless LAN and the distance over which wireless LAN can reach may vary depending on surrounding electromagnetic environment, obstacles, access point design and configuration, and client design and software/hardware configurations. The actual transmission speed will be lower than the theoretical maximum speed.

<sup>4</sup>Central Processing Unit ("CPU") Performance Disclaimer: CPU performance in your computer product may vary from specifications under the following conditions:

1. use of certain external peripheral products
2. use of battery power instead of AC power
3. use of certain multimedia, computer generated graphics or video applications
4. use of standard telephone lines or low speed network connections
5. use of complex modeling software, such as high end computer aided design applications
6. use of several applications or functionalities simultaneously
7. use of computer in areas with low air pressure (high altitude >1,000 meters or >3,280 feet above sea level)
8. use of computer at temperatures outside the range of 5°C to 30°C (41°F to 86°F) or >25°C (77°F) at high altitude (all temperature references are approximate and may vary depending on the specific computer model – please refer to your Resource Guide or visit the Toshiba website at [www.pcsupport.toshiba.com](http://www.pcsupport.toshiba.com) for details).

CPU performance may also vary from specifications due to design configuration.

Under some conditions, your computer product may automatically shut-down. This is a normal protective feature designed to reduce the risk of lost data or damage to the product when used outside recommended conditions. To avoid risk of lost data, always make back-up copies of data by periodically storing it on an external storage medium. For optimum performance, use your computer product only under recommended conditions. Read additional restrictions under "Environmental Conditions" in your product Resource Guide. Contact Toshiba Technical Service and Support for more information.

<sup>5</sup>Weight may vary depending on product configuration, vendor components, manufacturing variability and options selected.

<sup>6</sup>Battery life may vary depending on product model, configuration, applications, power management settings and features utilized. Recharge time varies depending on usage. Battery may not charge while computer is consuming full power. After a period of time, the battery will lose its ability to perform at maximum capacity and will need to be replaced. This is normal for all batteries. To purchase a new battery pack, see the accessories information that shipped with your computer or visit the Toshiba web site at [accessoryfinder.toshiba.com](http://accessoryfinder.toshiba.com).

Toshiba America Information Systems Inc. ("TAIS") shall not be liable for damages of any kind for use of this information, which is subject to change without notice.

©2004 Toshiba America Information Systems, Inc. All rights reserved

.Satellite\_A75-S226 v1.2

Created on 7/21/2004 11:41 AM Rev. 1.2

Page 2 of 10

**Return Policy**

Notwithstanding anything to the contrary in any third party License Agreement or product documentation supplied with your PC, Toshiba America Information Systems, Inc. ("TAIS") does not accept the return of component parts, or bundled software, that have been removed from the PC system. Pro-rata refunds on individual PC components or bundled software, including the operating system, will not be granted. If you wish to return a complete PC system, contact the TAIS dealer where you purchased the product, and comply with the dealer's standard return policies and procedures.

**Subject to Change**

While Toshiba has made every effort at the time of publication to ensure the accuracy of the information provided herein, product specifications, configurations, prices, system/component/options availability are all subject to change without notice. For the most up-to-date product information about your computer, or to stay current with the various computer software or hardware options, visit Toshiba's Web site at pcsupport.toshiba.com.

Certain notebook chassis are designed to accommodate all possible configurations for an entire product series. Your select model may not have

all the features and specifications corresponding to all of the icons or switches shown on the notebook chassis, unless you have selected all those features.

**Trademarks**

Portégé, Satellite, Tecra, Slim SelectBay and SystemGuard are registered trademarks and ConfigFree is a trademark of Toshiba America Information Systems, Inc. and/or Toshiba Corporation. Intel, Celeron, Centrino, Intel Inside, Pentium, and the Intel Centrino logo, and the Intel Inside logo are trademarks or registered trademarks of Intel Corporation or its subsidiaries in the United States and other countries. Microsoft and Windows are registered trademarks and OneNote is a trademark of Microsoft Corporation in the United States and/or other countries. Wi-Fi is a registered certification mark of the Wi-Fi Alliance. NVIDIA and GeForce are registered trademarks or trademarks of NVIDIA Corporation in the United States and/or other countries. MobileMark is a trademark of the Business Applications Performance Corporation. All other trademarks are the property of their respective owners. Product specifications, configurations, prices, system/component/options availability are all subject to change without notice. Reseller/Retailer pricing may vary. © 2004 Toshiba America Information Systems, Inc. All rights reserved.

**Business Winstone® 2002 BatteryMark™ Version 1.0**

These models achieved the battery life times shown using Ziff Davis Media Inc.'s Business Winstone® 2002 BatteryMark™ Version 1.0. These tests were performed without independent verification by the VeriTest testing division of Lionbridge Technologies, Inc. ("VeriTest"). Neither Ziff Davis Media Inc. nor VeriTest makes any representations or warranties as to the results of the tests. Winstone® is a registered trademark and BatteryMark™ is a trademark of Ziff Davis Publishing Holdings Inc. in the U.S. and other countries. Copyright 2002 Ziff Davis Media Inc. All Rights Reserved. All products used in the tests were shipping versions available to the general public. The battery life results were achieved running the Business Winstone® 2002 BatteryMark™ Version 1.0 on the following system parameters. System parameters were set according to Ziff Davis Media Inc.'s recommendations.

|                               |   |   |   |                  |
|-------------------------------|---|---|---|------------------|
| Battery Life                  |   | Catalog Spec (1st)<br>(1st+2nd)                           | 2H  | 2H               |
|                               |   | Number of Conditioning Phase                              | 1   | 1                |
|                               |   | Life Test Run   | 3   | 3                |
| A                             | CPU Name  | Mobile Intel® Pentium® 4 processor 518 with HT Technology | Mobile Intel® Pentium® 4 processor 538 with HT Technology |                  |
|                               | Processor info                                    | speed   | 2.8GHz  | 3.2GHz           |
|                               |   | number of processors                                      | 1   | 1                |
|                               | amount of RAM                                     | 512MB   | 512MB   |                  |
| Amount of secondary RAM cache |   | 1MB   | 1MB   |                  |
| B                             | Battery   | type(1st)   | Li-Ion  | Li-Ion           |
|                               |   | model number(1st)   | PA3383U-1BRS/BAS  | PA3383U-1BRS/BAS |
|                               |   | type(2nd)   | -   | -                |
|                               |   | model number(2nd)   | -   | -                |
|                               |   | number of batteries                                       | 1   | 1                |
| C                             | Graphics  | ATI MOBILITY™ RADEON™ 9000 IGP (internal GFX)             | ATI MOBILITY™ RADEON™ 9000 IGP (internal GFX)             |                  |
|                               | amount and type of RAM                            | UMA   | UMA   |                  |
|                               | graphics driver name and version                  | V8.01   | V8.01   |                  |
|                               | graphics resolution and color depth, refresh rate | 1280x800, 32bit, 60Hz                                     | 1280x800, 32bit, 60Hz                                     |                  |
| D                             | hard disk capacity                                | 60G (4200rpm)   | 80G (4200rpm)   |                  |
|                               | hard disk file system & transfer mode             | Enhanced IDE(ATA-6)                                       | Enhanced IDE(ATA-6)                                       |                  |
|                               | hard disk controller model                        | ATI IXP150  | ATI IXP150  |                  |
|                               | size of hardware cache if any                     | -   | -   |                  |
| E                             | operating system version, service pack            | Windows XP Professional Service Pack 1                    | Windows XP Professional Service Pack 1                    |                  |
|                               | other special conditions                          | N/A   | N/A   |                  |
| F                             | BIOS version                                      | 1.00  | 1.00  |                  |
|                               | Power management setting                          | see another sheet   | see another sheet   |                  |

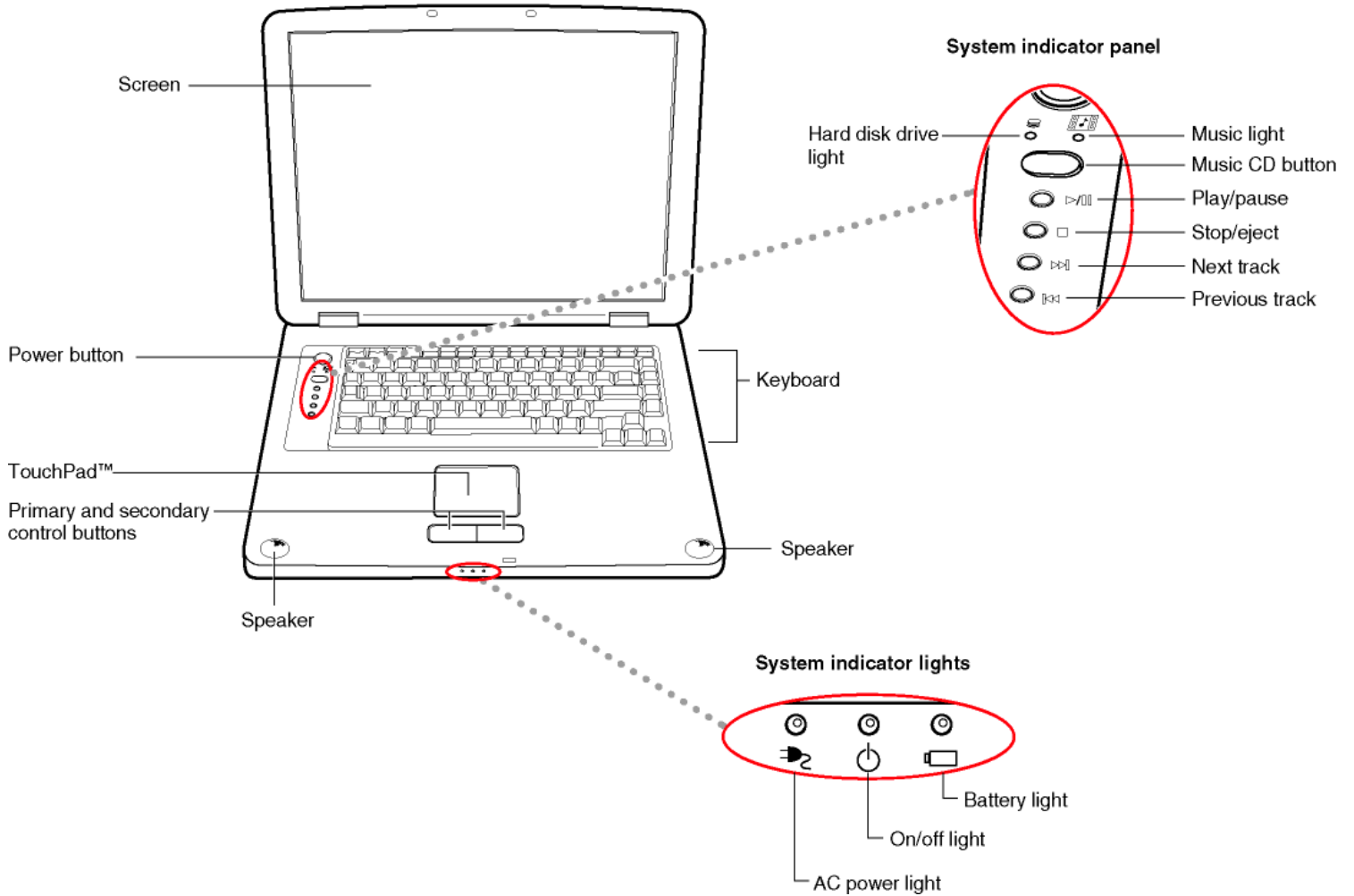
|                   |   |                 | Business Winstone 2002 BatteryMark Version 1.0 |
|-------------------|---|-----------------|--|
|                   |   |                 | Model#1-2                                      |
| Power Save Mode   | Cooling Method  |                 | MaximumPerformance                             |
|                   | Intel SpeedStep(R) Technology                                     |                 | -  |
|                   | Processor speed   | 100%-75%        | Low  |
|                   |   | 74%-50%         | Low  |
|                   |   | 49%-25%         | Low  |
|                   |   | 24%-0%          | Low  |
|                   | Monitor brightness<br>(* See Notes)                               | 100%-75%        | Mid2   |
|                   |   | 74%-50%         | Mid2   |
|                   |   | 49%-25%         | Mid2   |
|                   |   | 24%-0%          | Mid2   |
|                   | Turn off monitor  | 100%-75%        | NEVER  |
|                   |   | 74%-50%         | NEVER  |
|                   |   | 49%-25%         | NEVER  |
|                   |   | 24%-0%          | NEVER  |
|                   | Turn off hard disks   | 100%-75%        | 3min   |
| 74%-50%           |   | 3min            |  |
| 49%-25%           |   | 3min            |  |
| 24%-0%            |   | 3min            |  |
| System standby    | 100%-75%  | NEVER           |  |
|                   | 74%-50%   | NEVER           |  |
|                   | 49%-25%   | NEVER           |  |
|                   | 24%-0%  | NEVER           |  |
| System Hibernate  | 100%-75%  | NEVER           |  |
|                   | 74%-50%   | NEVER           |  |
|                   | 49%-25%   | NEVER           |  |
|                   | 24%-0%  | NEVER           |  |
| System Power Mode | When I press the power button                                     | Power off       |  |
|                   | When I close the lid  | Hibernate       |  |
|                   | Prompt for password when computer goes off Standby or Hibernation | Off             |  |
| Alarm             | Activate low battery alarm when power level reaches               | Off             |  |
|                   | Low Battery Alarm Action  | Sound alarm     |  |
|                   |   | Display message |  |

Toshiba America Information Systems Inc. ("TAIS") shall not be liable for damages of any kind for use of this information, which is subject to change without notice.

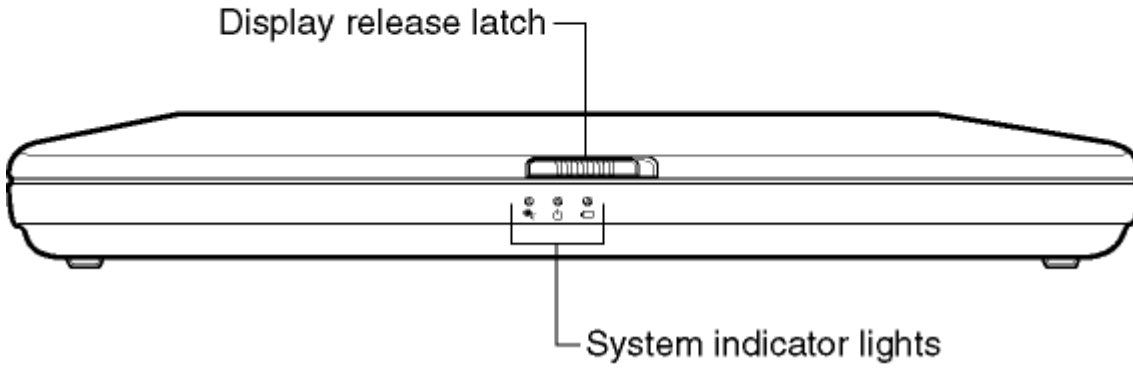
# TOSHIBA

|                                 |   |  |     |
|---------------------------------|---|--|-----|
|                                 |   | When the alarm goes off,the computer will: | Off |
|                                 |   | When the alarm occurs, run this program:   | Off |
|                                 | Activate critical battery alarm when power level reaches            |  | Off |
|                                 | Critical Battrey Alarm Action                                       | Sound alarm                                | Off |
|                                 |   | Display message                            | Off |
|                                 |   | When the alarm goes off,the computer will: | Off |
|                                 |   | When the alarm occurs, run this program:   | Off |
| Hibernate                       | Enable Hibernate Support  |  | On  |
| SoundMAX Audio Power Management | Power Mode  |  | -   |
|                                 | Timer Setting   | Instant Power Save                         | -   |
|                                 |   | Power Save Delay                           | -   |
|                                 | Internal Speakers   | Power Down                                 | -   |
| NVIDIA GeForce4 420 Go          | Display Properties - Setting-Advanced - nView - *** Go - PowerMizer |  | -   |

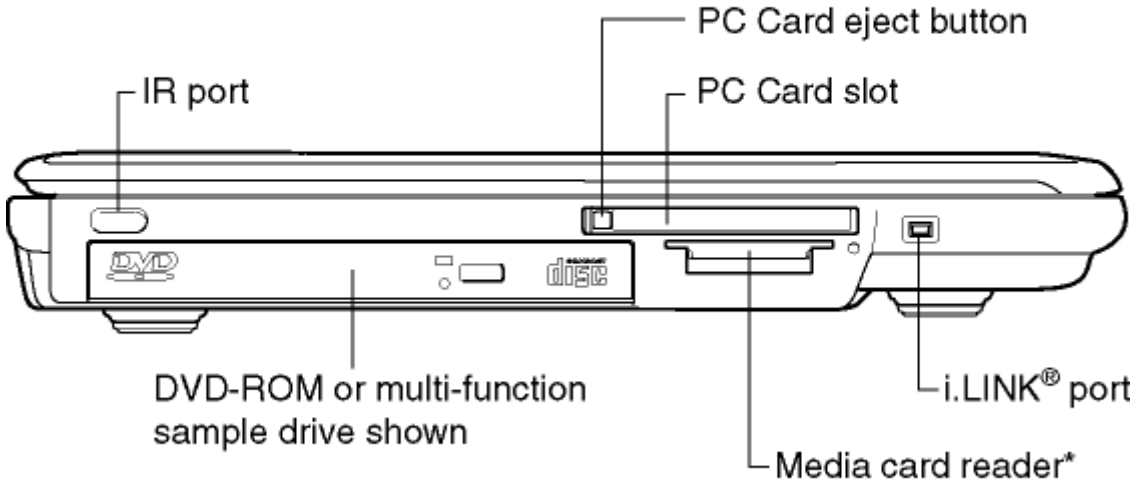
# Front with display open



# Front with display closed

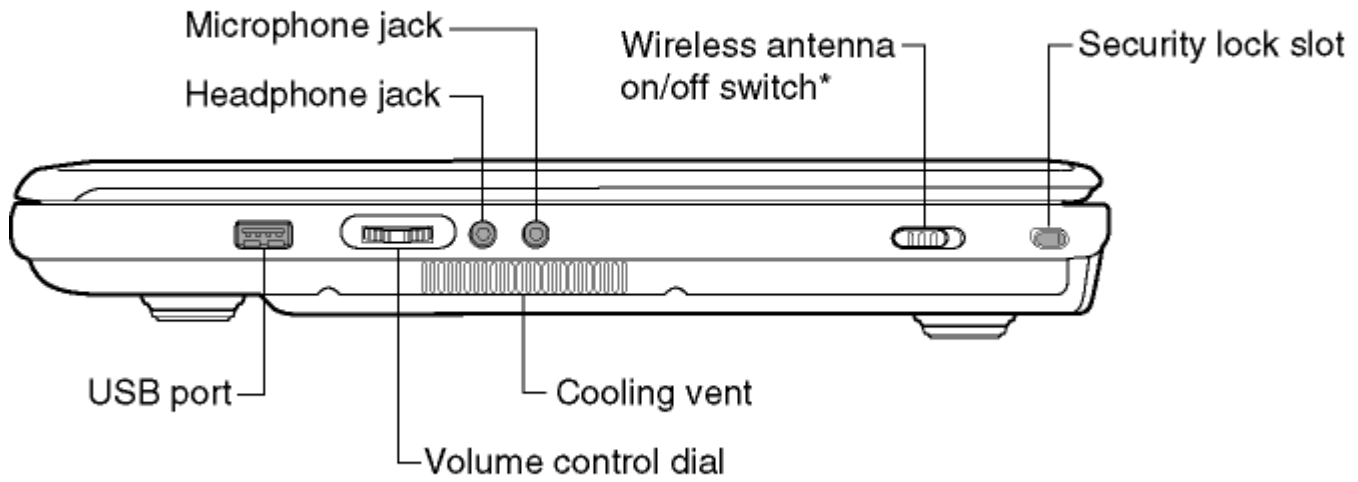


# Left side



\*Only on selected models.

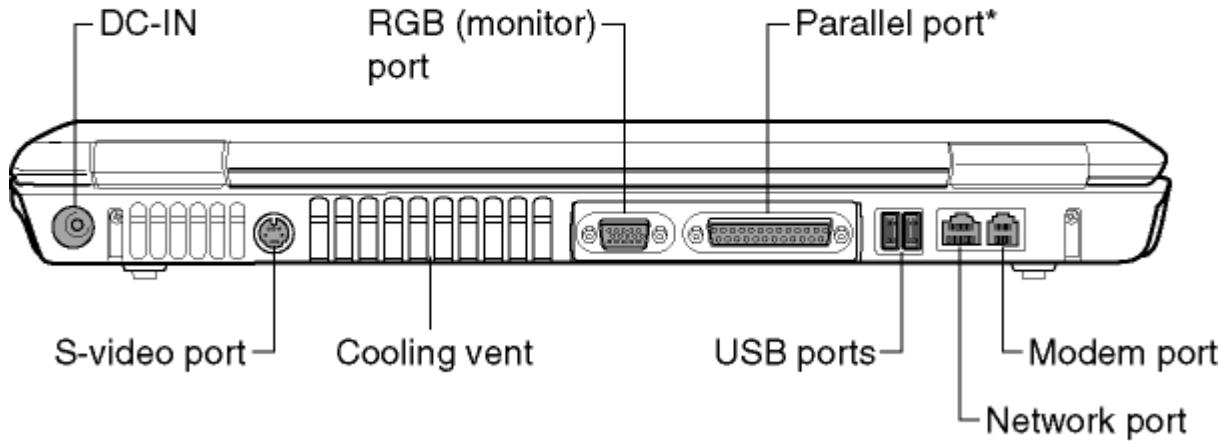
# Right side



\*Functional only on systems with wireless module installed.

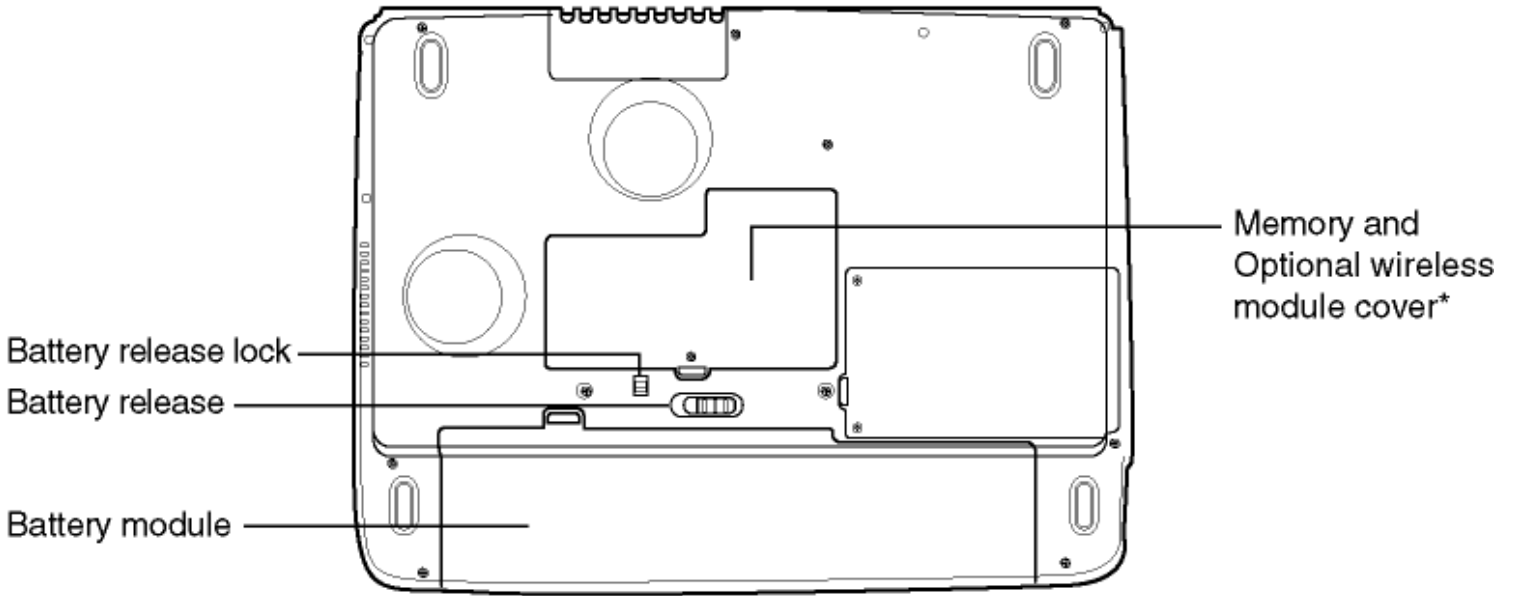


# Back



\*Only on selected models.

# Underside



\*Functional only on systems with wireless module installed.