

---

# BODY ELECTRICAL

POWER SOURCE ..... BE-1  
COMBINATION METER ..... BE-4

## REFER TO FOLLOWING REPAIR MANUALS:

Manual Name	Pub. No.
YARIS / ECHO Chassis and Body Repair Manual	RM685E
YARIS / ECHO Chassis and Body Repair Manual Supplement (Aug., 1999)	RM737E
YARIS / ECHO Chassis and Body Repair Manual Supplement (Jan., 2001)	RM838E

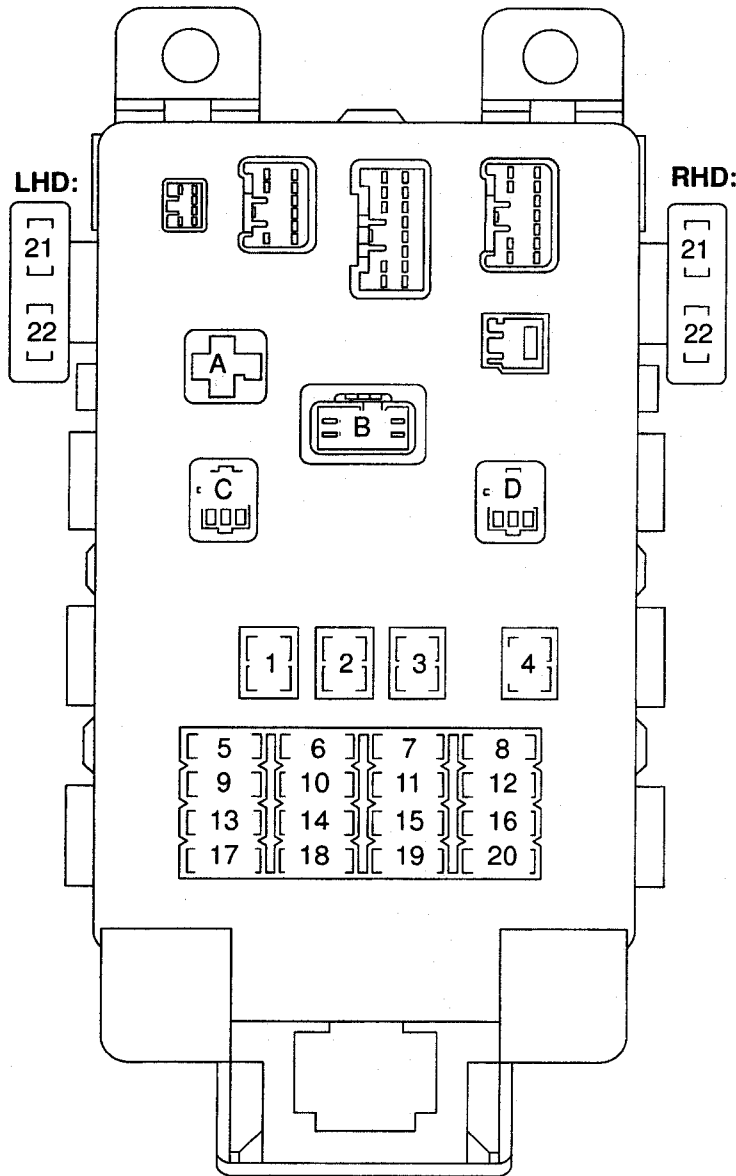
NOTE: The above pages contain only the points which differ from the above listed manuals.



# POWER SOURCE LOCATION

BE2BH-01

Instrument panel junction block (1ND-TV):



### Fuses

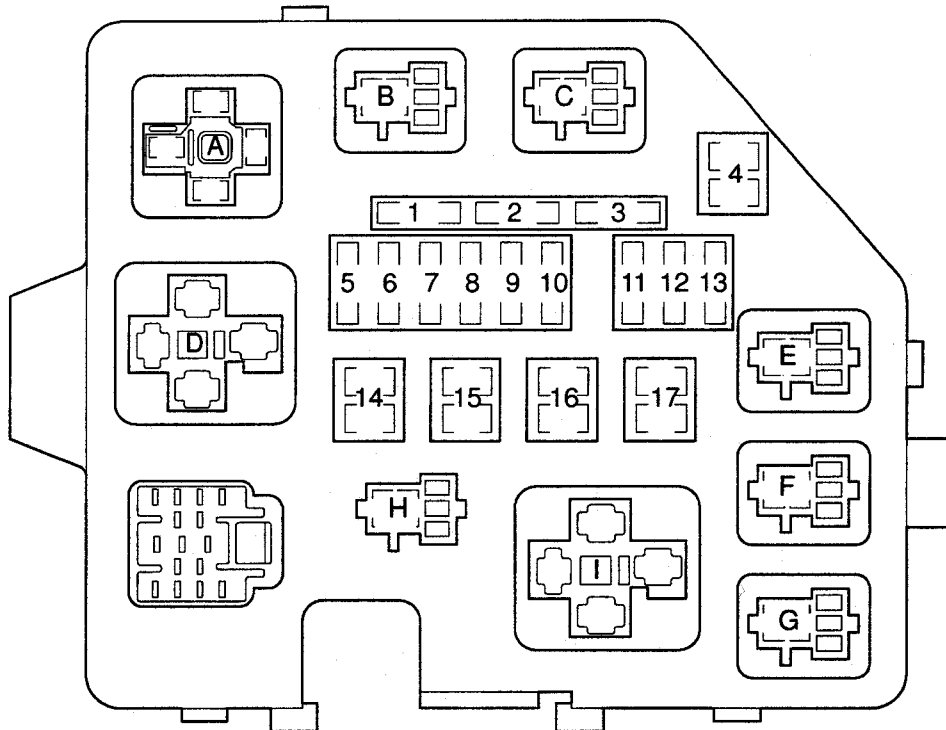
1. AM1 Fuse
2. POWER Fuse
3. HTR Fuse
4. -
5. GAUGE Fuse
6. DEF Fuse
7. D/L Fuse
8. TAIL Fuse
9. -
10. WIPER Fuse
11. ECU-B Fuse
12. -
13. ACC Fuse
14. ECU-IG Fuse
15. OBD Fuse
16. HAZ Fuse
17. A/C Fuse
18. S-HTR Fuse
19. -
20. STOP Fuse
21. I/UP Fuse
22. EFI No. 2 Fuse

### Relays

- A. Heater Relay
- B. FLASHER Relay
- C. Power Main Relay
- D. C/OPN Relay

BE

## Engine room relay block No. 1 (1ND-TV):

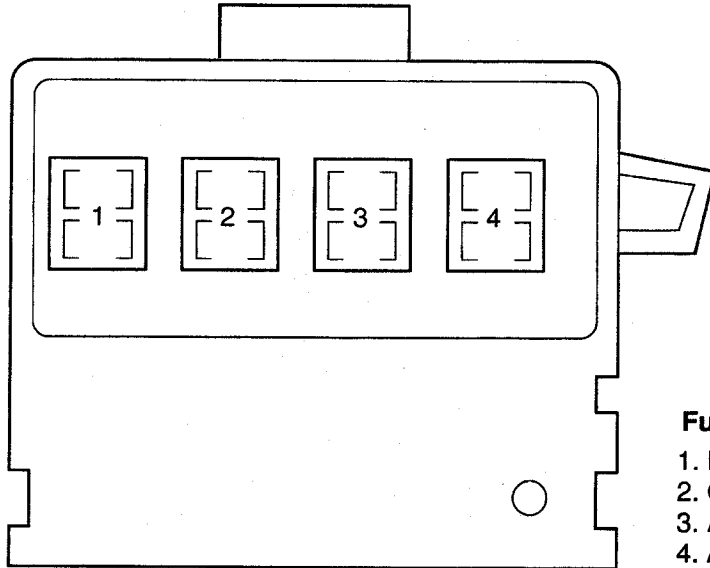
**Fuses**

- |                   |                   |
|-------------------|-------------------|
| 1. SPARE Fuse     | 15. RDI Fuse      |
| 2. SPARE Fuse     | 16. HTR SUB1 Fuse |
| 3. -              | 17. HTR SUB2 Fuse |
| 4. -              |                   |
| 5. DOME Fuse      |                   |
| 6. ECD Fuse       |                   |
| 7. HORN Fuse      |                   |
| 8. AM2 Fuse       |                   |
| 9. ST Fuse        |                   |
| 10. FUEL HTR Fuse |                   |
| 11. H-LP LH Fuse  |                   |
| 12. H-LP RH Fuse  |                   |
| 13. ECD2 Fuse     |                   |
| 14. -             |                   |
| 15. RDI Fuse      |                   |
| 16. HTR SUB1 Fuse |                   |
| 17. HTR SUB2 Fuse |                   |

**Relays**

- |                    |
|--------------------|
| A. ST Relay        |
| B. FAN NO. 2 Relay |
| C. FAN NO. 1 Relay |
| D. HTR SUB2 Relay  |
| E. EFI Relay       |
| F. A/C MG Relay    |
| G. HORN Relay      |
| H. FUEL HTR Relay  |
| I. HTR SUB Relay   |

**Fusible link block (1ND-TV):**



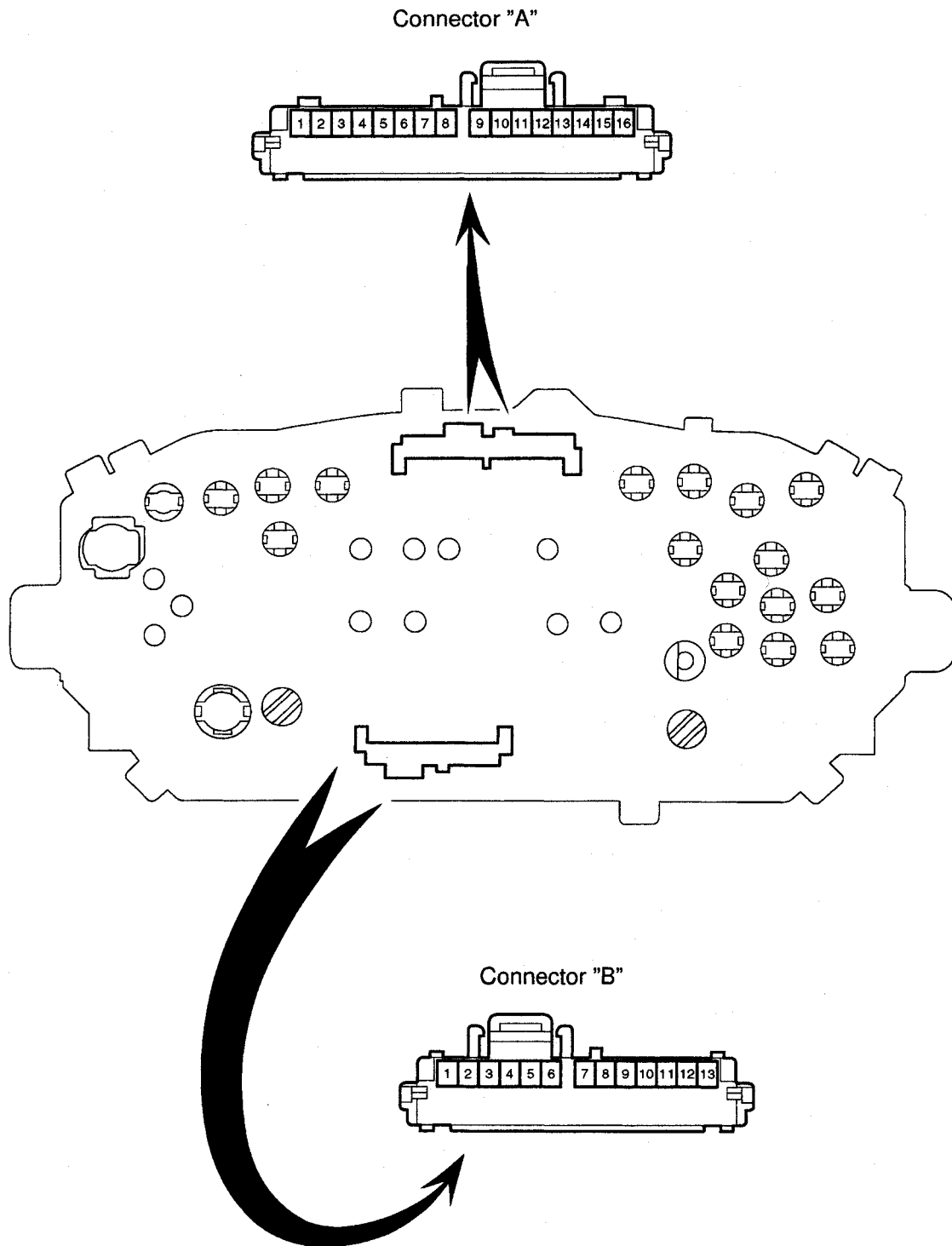
- Fuses**
- 1. MAIN Fuse
  - 2. GLOW Fuse
  - 3. ALT Fuse
  - 4. ABS Fuse

**BE**

# COMBINATION METER CIRCUIT

BE2BI-01

Except Middle East models:  
Analog meter

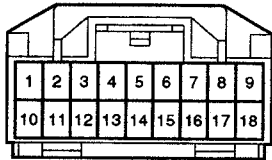
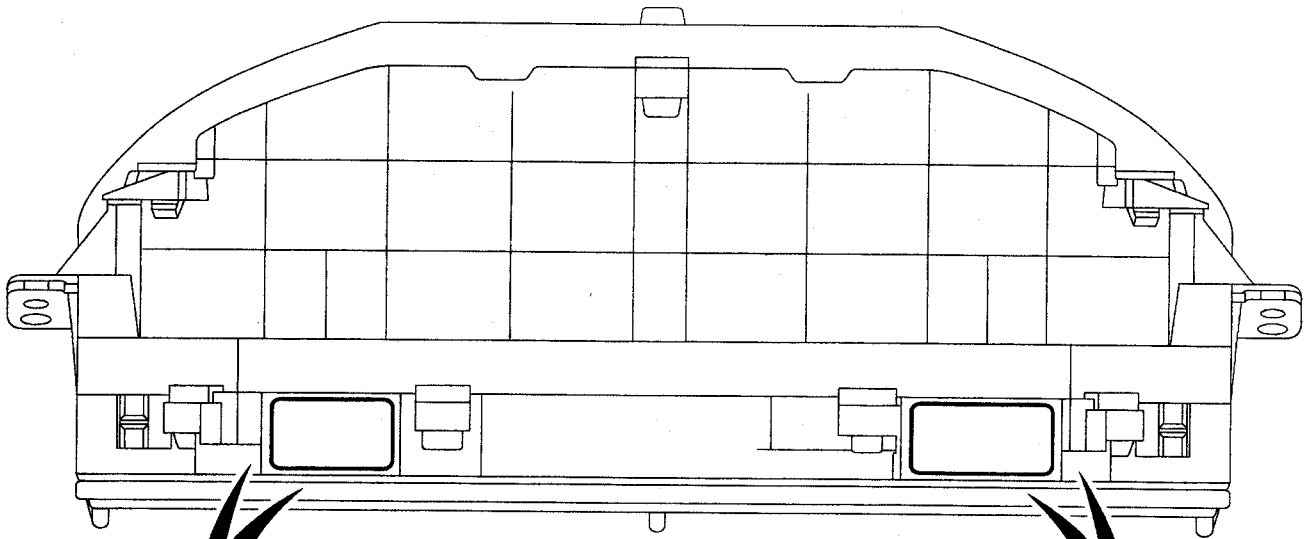


BE

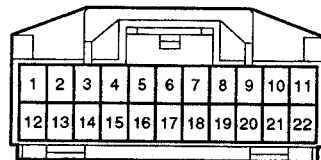
N

112356

Middle East models:  
Analog meter



Connector "B"



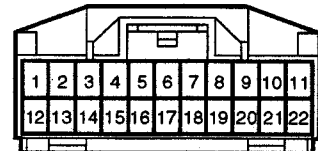
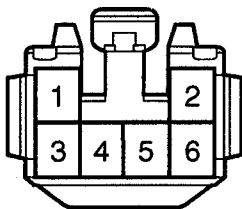
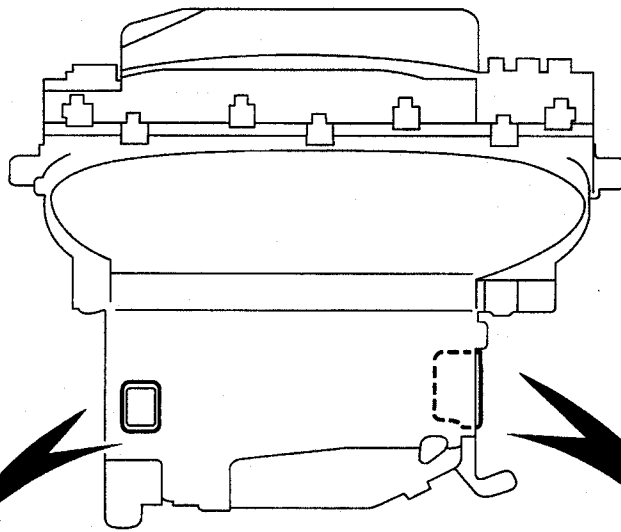
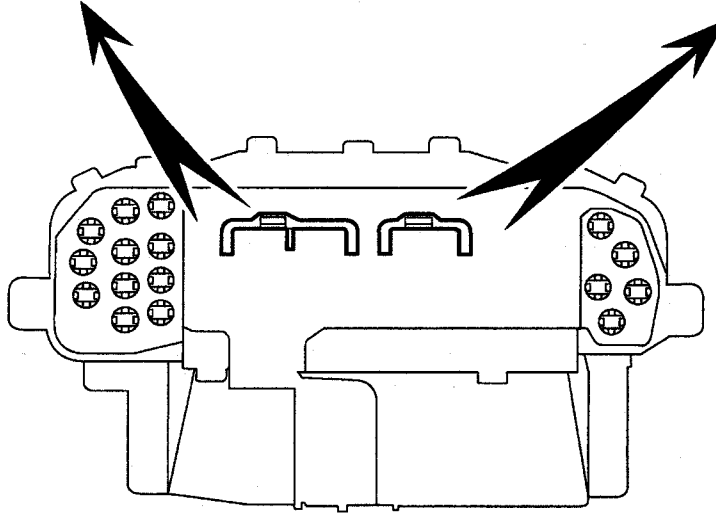
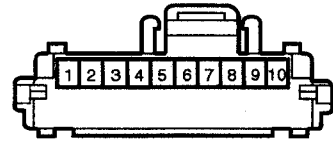
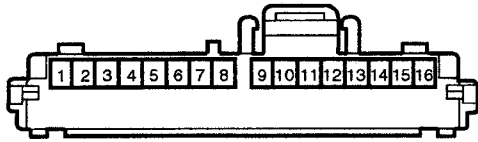
Connector "A"

BE

Digital meter (LHD) :

Connector "A"

Connector "B"



Connector "D"

Connector "C"

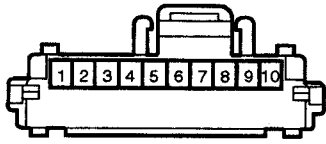
BE

C

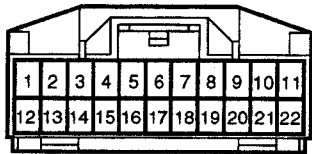
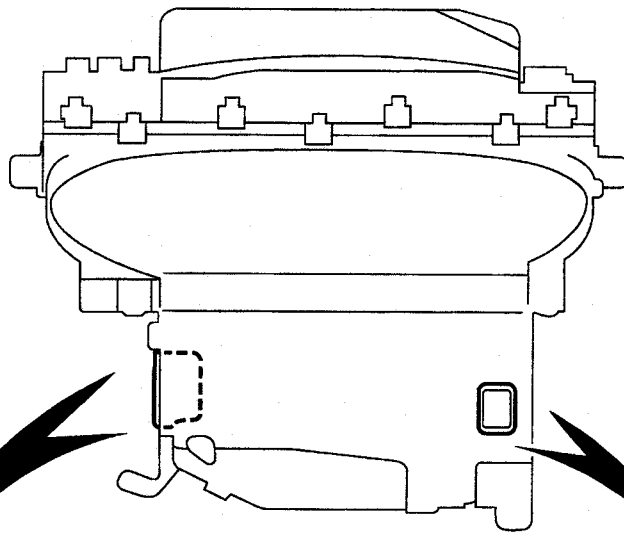
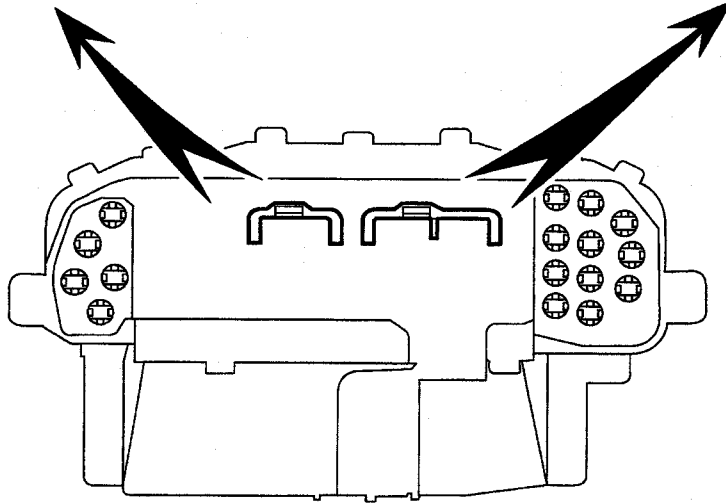
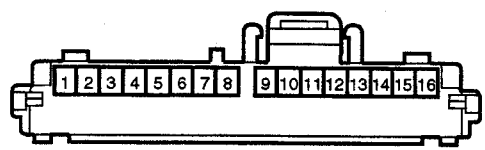


Digital meter (RHD) :

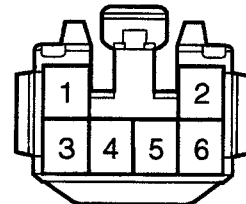
Connector "B"



Connector "A"



Connector "C"

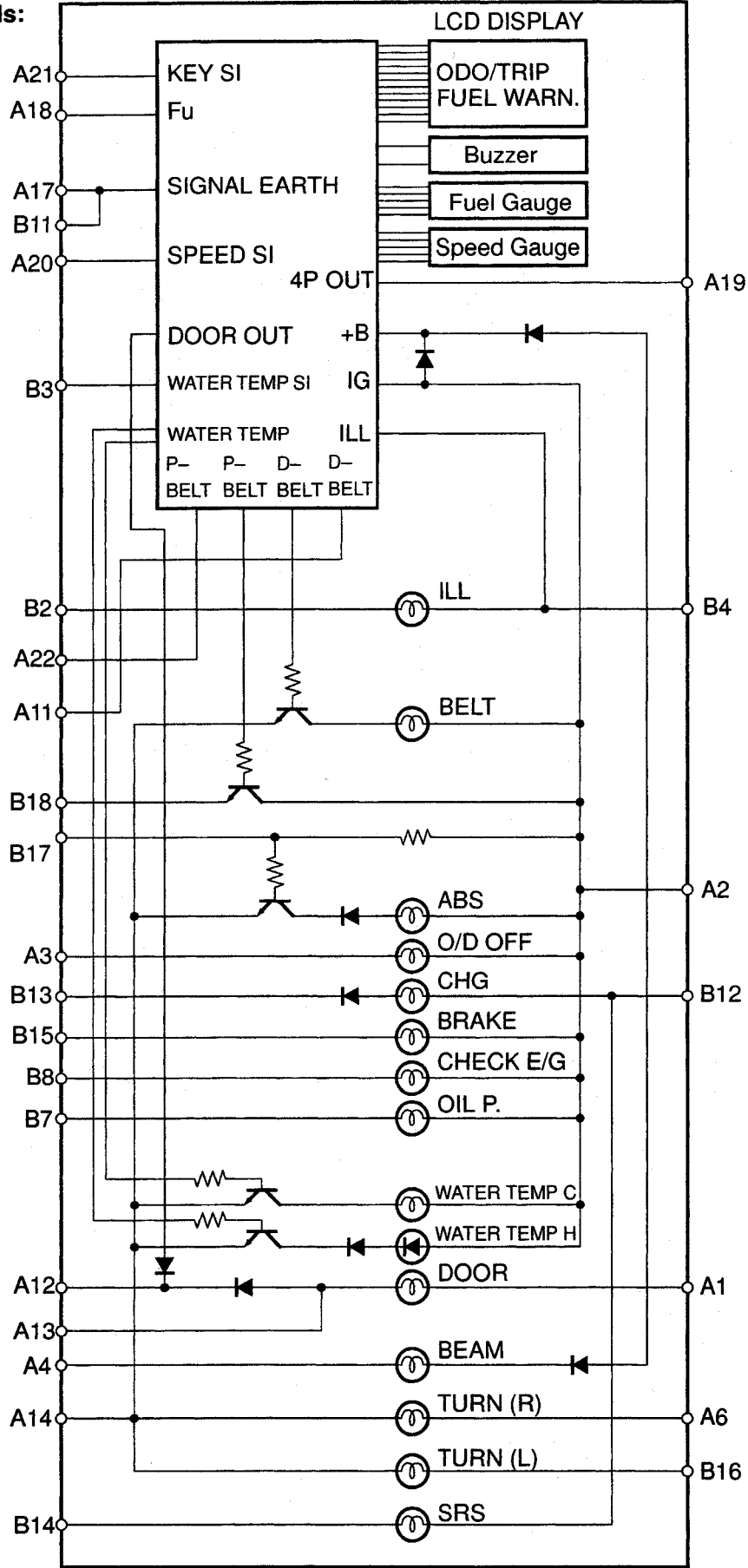


Connector "D"

C

BE

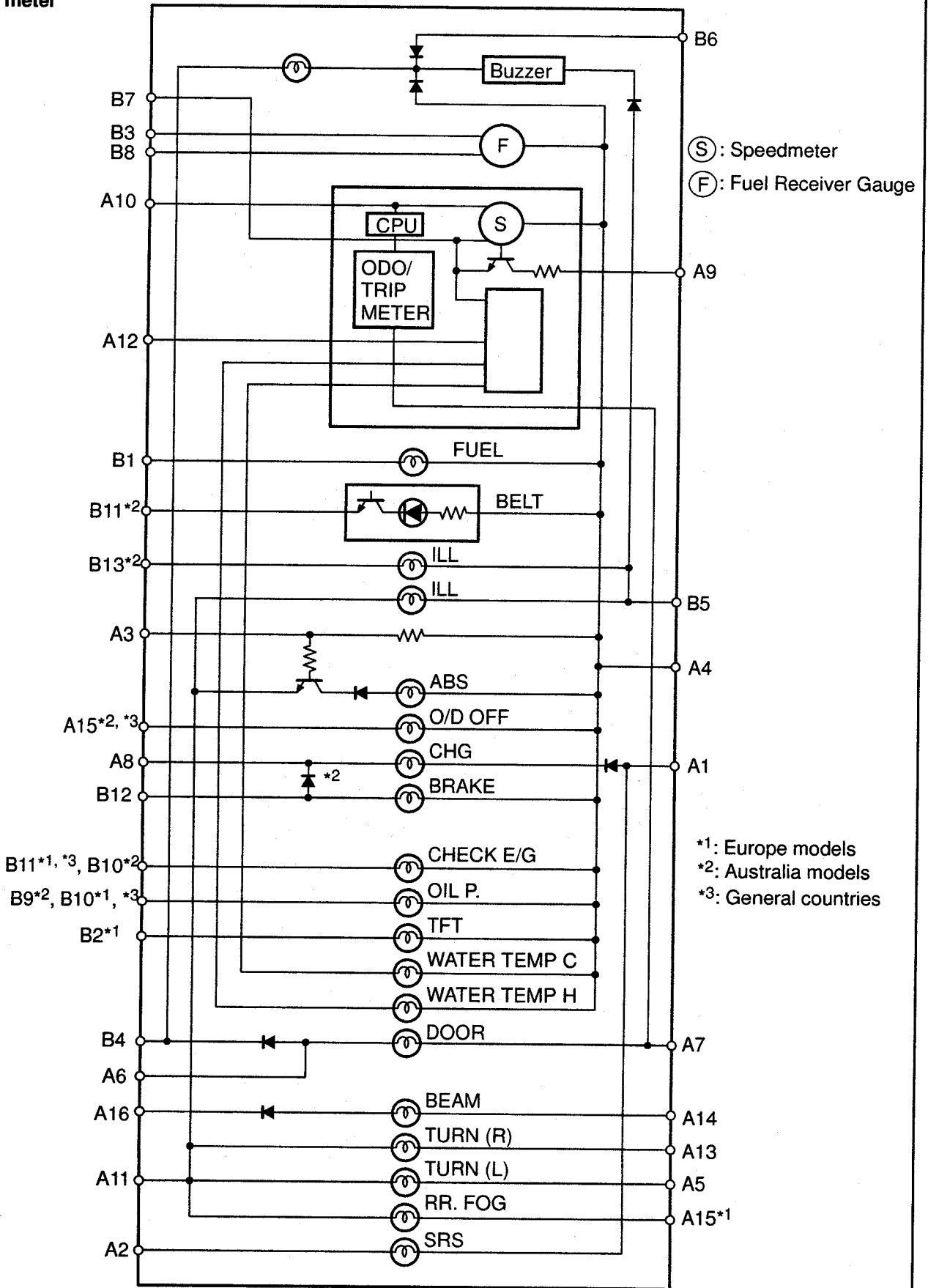
Middle East models:  
Analog meter



BE

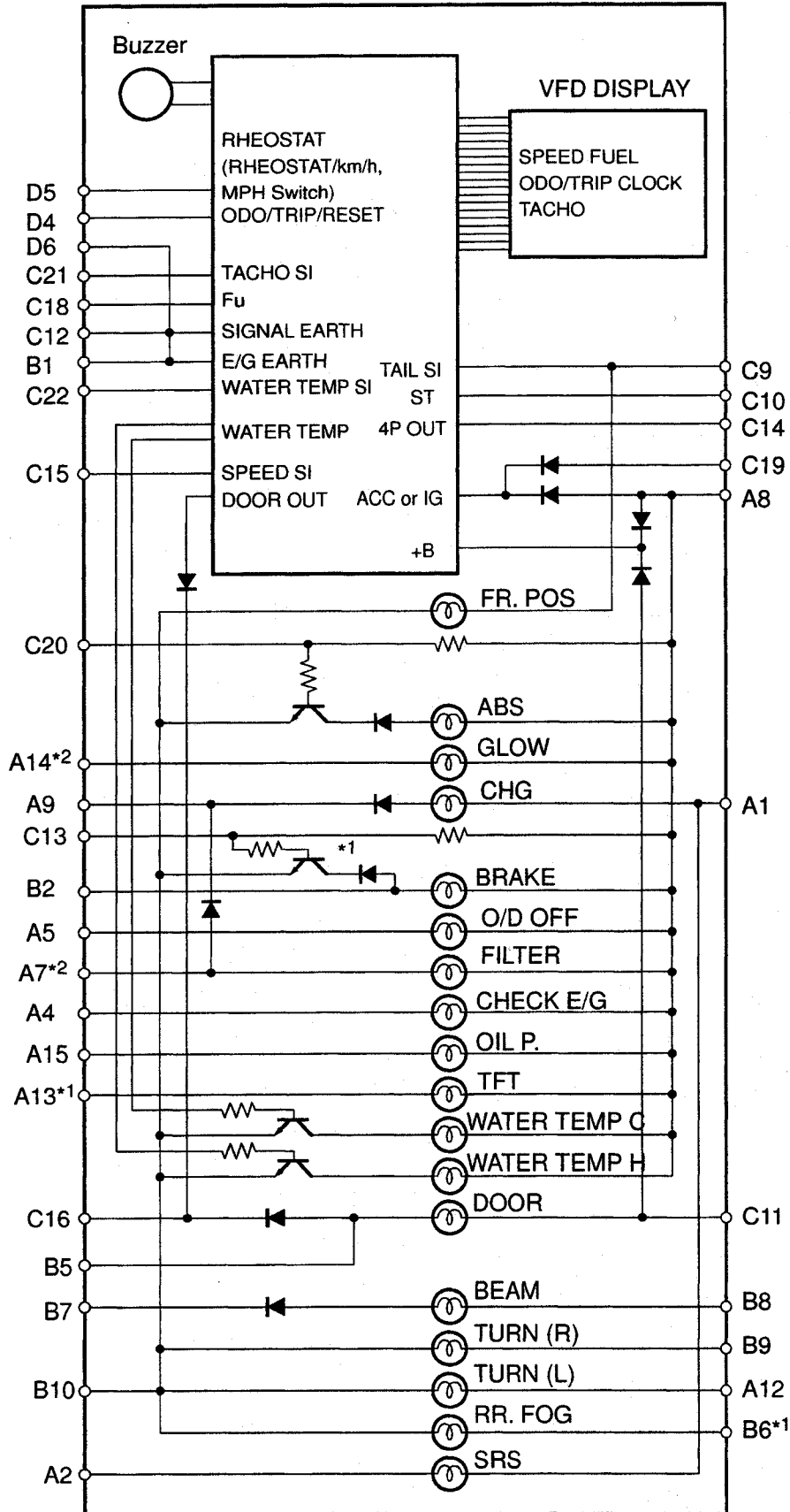
C

Except Middle East models:  
Analog meter



BE

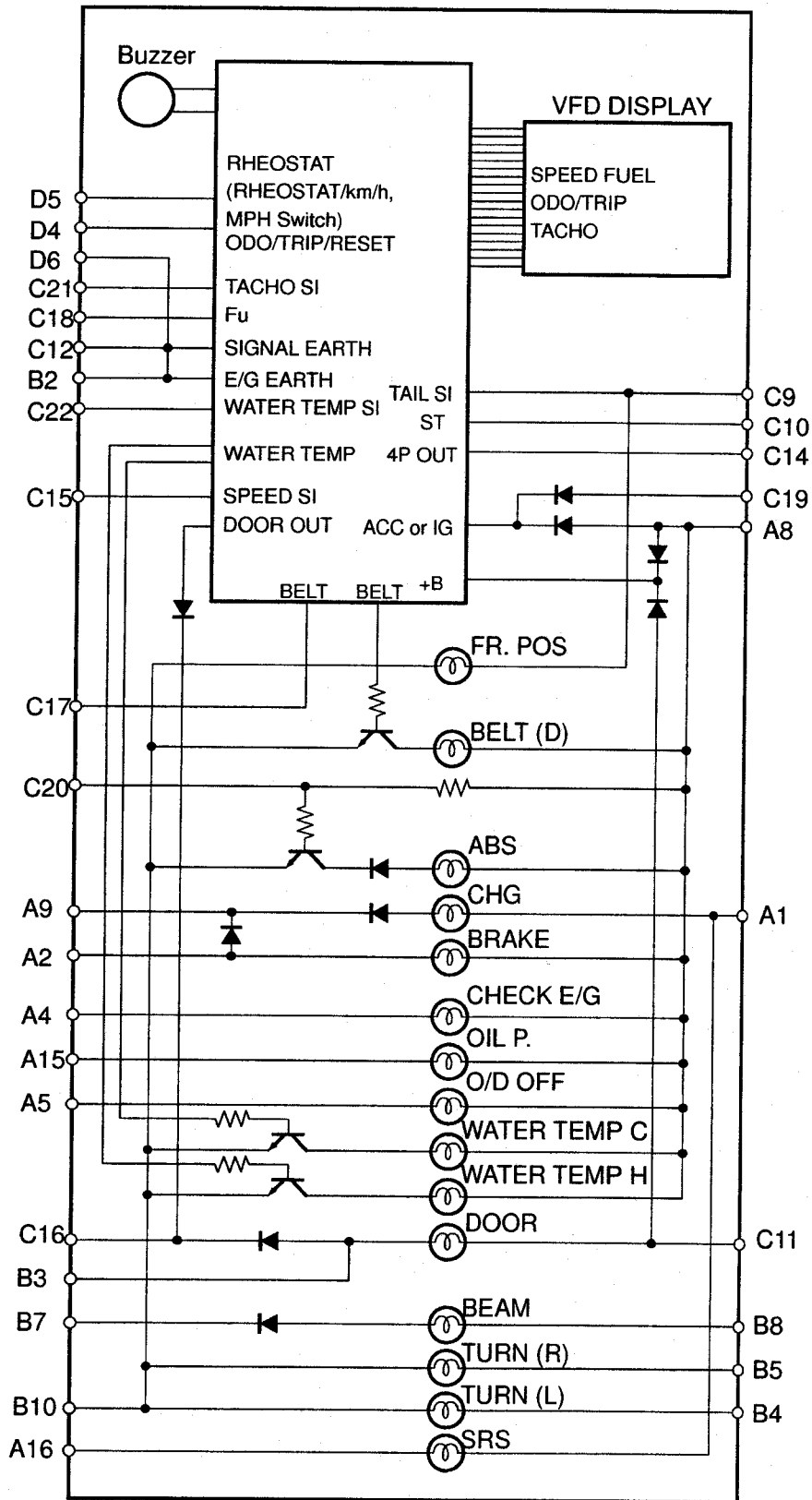
Europe and General Country models (RHD):  
Digital meter



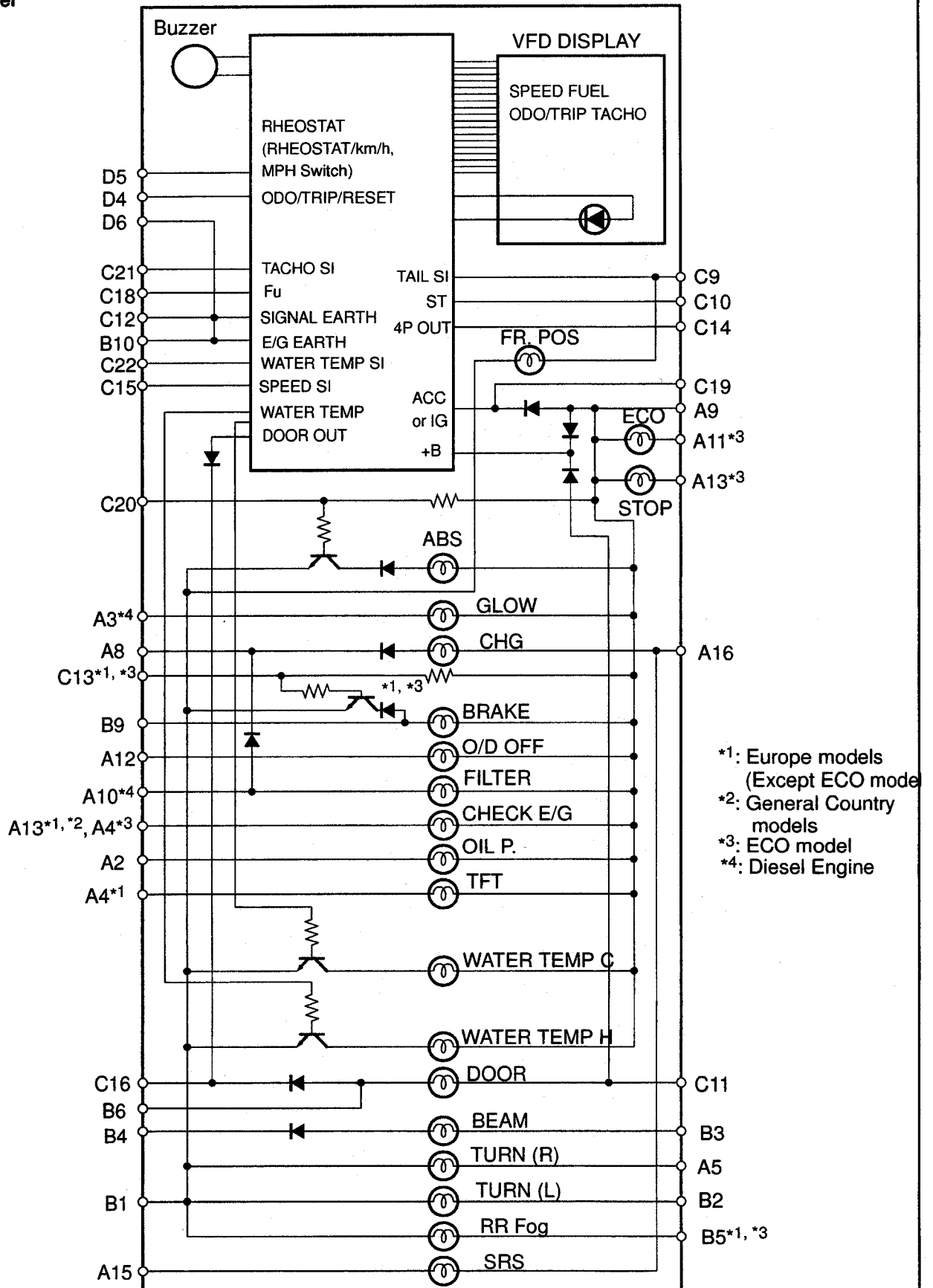
BE

\*1: Europe models  
\*2: Diesel engine

Australia models:  
Digital meter

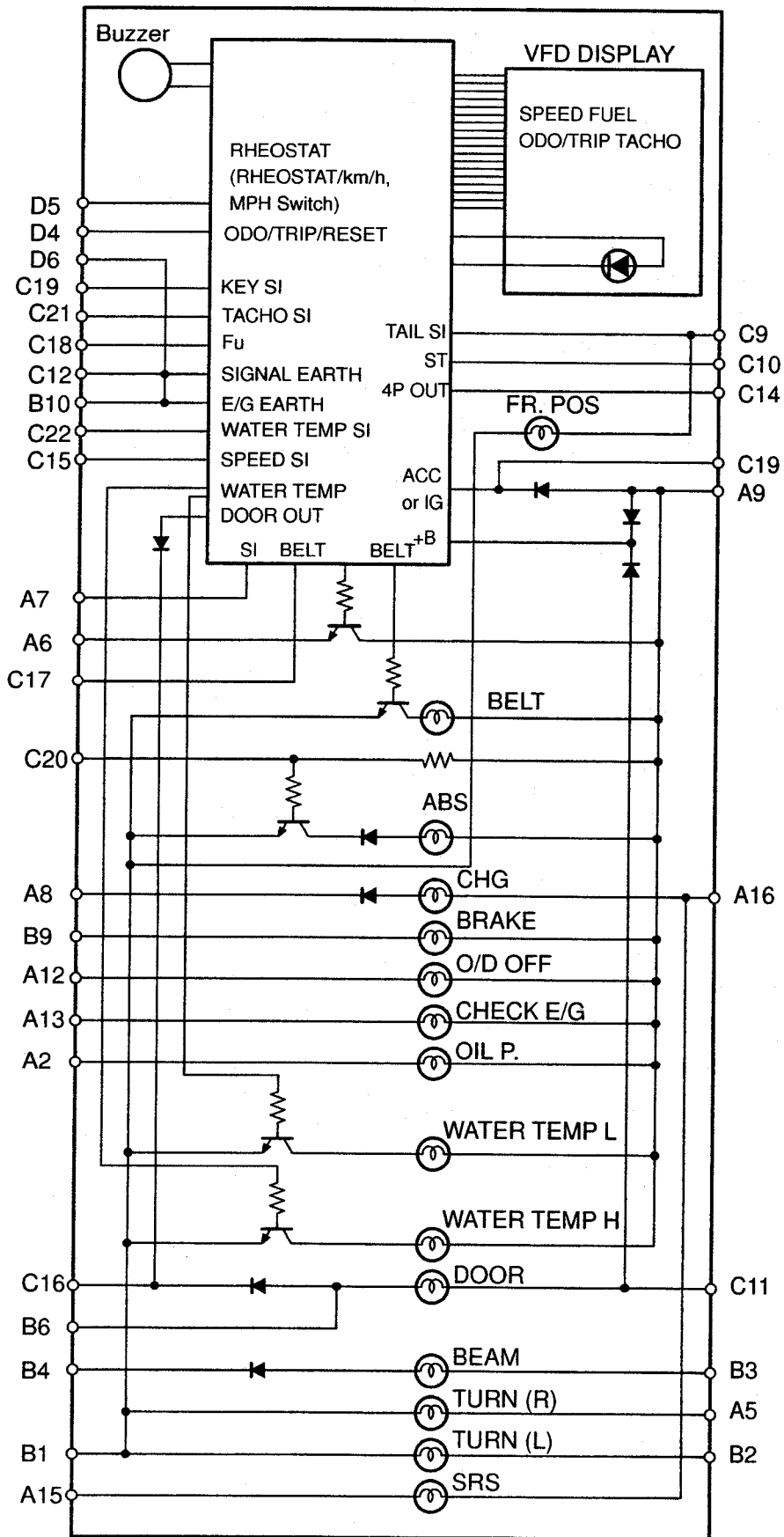


Europe and General Country models (LHD):  
Digital meter



BODY ELECTRICAL - COMBINATION METER

Middle East:  
Digital meter



**Middle East models:  
Analog meter**

No.	Wire Harness Side
A	1 DOME Fuse
	2 GAUGE Fuse
	3 O/D Off Switch
	4 Headlight Dimmer Switch
	6 Turn Signal Switch (Right)
	11 Driver's Buckle Switch
	12 Driver Door Courtesy Switch
	13 Except Driver Door Courtesy Switch
	14 Ground
	17 Ground
	18 Fuel Sender Gauge
	19 Speed Control Unit
	20 Vehicle Speed Sensor (SI terminal)
	21 Key Unlock Warning Switch
22 Passenger's Buckle Switch	
B	2 Light Control Rheostat Volume
	3 Water Temperature Sender Gauge
	4 Light Control Switch
	7 Low Oil Pressure Warning Switch
	8 Engine & ECT ECU
	11 Ground
	12 Ignition Switch
	13 Generator
	14 Airbag Sensor Assembly
	15 Brake Fluid Level Warning Switch
16 Turn Signal Switch (Left)	
17 ABS ECU	
18 Passenger's Seat Belt Warning	



**Except Middle East models:  
Analog meter**

No.	Wire Harness Side
A	1 IGN Fuse
	2 Airbag Sensor Assembly
	3 ABS ECU
	4 GAUGE Fuse
	5 Turn Signal Switch (Left)
	6 Except Driver Door Courtesy Switch
	7 DOME Fuse
	8 Alternator
	9 Speed Control Unit
	10 Vehicle Speed Sensor (SI terminal)
	11 Ground
	12 Water Temperature Sender Gauge
	13 Turn Signal Switch (Right)
	14 DOME Fuse (w/o D. R. L.) Daytime Running Light Relay (w/ D. R. L.)
	15 Rear Fog Light Switch *1 Over Drive off Switch *2, *3
	16 Headlight Dimmer Switch (w/o D. R. L.) Ground (w/ D. R. L.)
B	1 Fuel Lever Warning Switch
	2 TFT ECU *1
	3 Fuel Sender Gauge
	4 Driver Door Courtesy Switch
	5 Light Control Switch
	6 ACC Fuse
	7 Ground
	8 Ground
	9 Low Oil Pressure Warning Switch *2
	10 Low Oil Pressure Warning Switch *1, *3
	11 Engine and ECT ECU *1, *3 Driver Seat Belt Buckle Switch *2
	12 Brake Fluid Level Warning Switch
	13 Light Control Switch *2

- \*1, Europe models
- \*2, Australia models
- \*3, General countries

D. R. L. : Daytime Running Light

**Europe and General Country models (RHD):  
Digital meter**

No.	Wire Harness Side
A	1 IGN Fuse
	2 Airbag Sensor Assembly
	4 Engine and ECT ECU
	5 O/D Main Switch
	7 Sedimenter Switch *2
	8 GAUGE Fuse
	9 Alternator
	12 Turn Signal Switch (Left)
13 TFT ECU *1	
14 Low Oil Pressure Switch *2	
B	1 Ground
	2 Brake Fluid Level Warning switch
	5 Except Driver Door Courtesy Switch
	6 Rear Fog Light Switch *1
	7 Headlight Dimmer Switch (w/o D. R. L.) Ground (w/ D. R. L.)
	8 DOME Fuse (w/o D. R. L.) Daytime Running Light Relay (w/ D. R. L.)
	9 Turn Signal Switch (Right)
	10 Ground
C	9 Light Control Switch
	10 Ignition Switch (ST terminal)
	11 DOME Fuse
	12 Ground
	13 ABS ECU
	14 Speed Control Unit
	15 Vehicle Speed Sensor (SI terminal)
	16 Driver Door Courtesy Switch
	18 Fuel Sender Gauge
	19 ACC Fuse
20 ABS ECU	
21 Engine and ECT ECU	
22 Water Temperature Sender Gauge	
D	4 Trip Switch (ODO/TRIP/RESET)
	5 Trip Switch (RHEOSTAT) (Trip Switch (RHOSTAT/ km/h, MPH Switch))
	6 Ground

\*1, Europe models

\*2, Diesel Engine

D. R. L. : Daytime Running Light

**Australia models:  
Digital meter**

No.	Wire Harness Side
A	1 IGN Fuse
	2 Brake Fluid Level Warning switch
	4 Engine and ECT ECU
	5 O/D Main Switch
	8 GAUGE Fuse
	9 Alternator
	15 Low Oil Pressure Switch
	16 Airbag Sensor Assembly
B	2 Ground
	3 Except Driver Door Courtesy Switch
	4 Turn Signal Switch (Left)
	5 Turn Signal Switch (Right)
	7 Headlight Dimmer Switch (w/o D. R. L.) Ground (w/ D. R. L.)
	8 DOME Fuse (w/o D. R. L.) 10 Ground
C	9 Light Control Switch
	10 Ignition Switch (ST terminal)
	11 DOME Fuse
	12 Ground
	14 Speed Control Unit
	15 Vehicle Speed Sensor (SI terminal)
	16 Driver Door Courtesy Switch
	17 Driver Seat Belt Buckle Switch
	18 Fuel Sender Gauge
	19 ACC Fuse
	20 ABS ECU
	21 Engine and ECT ECU
22 Water Temperature Sender Gauge	
D	4 Trip Switch (ODO/TRIP/RESET)
	5 Trip Switch (RHEOSTAT) (Trip Switch (RHOSTAT/ km/h, MPH Switch))
	6 Ground

D. R. L. : Daytime Running Light

**Europe and General Country models (LHD):  
Digital meter**

No.	Wire Harness Side	
A	2 Low Oil Pressure Switch	
	3 Engine & ECT ECU*4	
	4 TFT ECU *1 Engine & ECT ECU*3	
	5 Turn Signal Switch (Right)	
	8 Alternator	
	9 GAUGE Fuse	
	10 Sedimenter Switch *4	
	11 ECO RUN ECU *3	
	12 O/D Main Switch	
	13 Engine and ECT ECU *1, *2 ECO RUN ECU *3	
	15 Airbag Sensor Assembly	
16 IGN Fuse		
B	1 Ground	
	2 Turn Signal Switch (Left)	
	3 DOME Fuse (w/ D. R. L.)	
	4 Headlight Dimmer Switch (w/o D. R. L.) Ground (w/ D. R. L.)	
	5 Rear Fog Light Switch	
	6 Except Driver Door Courtesy Switch	
	9 Brake Fluid Level Warning Switch	
	10 Ground	
	C	9 Light Control Switch
		10 Ignition Switch (ST terminal)
11 DOME Fuse		
12 Ground		
13 ABS ECU		
14 Speed Control Unit		
15 Vehicle Speed Sensor (SI terminal)		
16 Driver Door Courtesy Switch		
18 Fuel Sender Gauge		
19 ACC Fuse		
20 ABS ECU		
21 Engine and ECT ECU		
22 Water Temperature Sender Gauge		
D	4 Trip Switch (ODO/TRIP/RESET)	
	5 Trip Switch (RHEOSTAT)	
	6 Ground	

\*1: Europe models  
(Except ECO model)

\*2: General Country  
models

\*3: ECO model

\*4: Diesel Engine

D. R. L. : Daytime Running Light

**Middle East:  
Digital meter**

No.	Wire Harness Side
A	2 Low Oil Pressure Switch
	5 Turn Signal Switch (Right)
	6 Passenger Seat Belt Warning Light
	7 Passenger Seat Belt Buckle Switch
	8 Alternator
	9 GAUGE Fuse
	12 O/D Main Switch
	13 Engine and ECT ECU
B	15 Airbag Sensor Assembly
	16 IGN Fuse
	1 Ground
	2 Turn Signal Switch (Left)
	3 DOME Fuse (w/ D. R. L.)
	4 Headlight Dimmer Switch (w/o D. R. L.) Ground (w/ D. R. L.)
	6 Except Driver Door Courtesy Switch
9 Brake Fluid Level Warning Switch	
C	10 Ground
	9 Light Control Switch
	10 Ignition Switch (ST terminal)
	11 DOME Fuse
	12 Ground
	14 Speed Control Unit
	15 Vehicle Speed Sensor (SI terminal)
	16 Driver Door Courtesy Switch
	17 Driver Seat Belt Buckle Switch
	18 Fuel Sender Gauge
	19 Ignition Switch
	20 ABS ECU
D	21 Engine and ECT ECU
	22 Water Temperature Sender Gauge
	4 Trip Switch (ODO/TRIP/RESET)
D	5 Trip Switch (RHEOSTAT)
	6 Ground

D. R. L. : Daytime Running Light

**INSPECTION****INSPECT SPEEDOMETER ON-VEHICLE**

Using a speedometer tester, inspect the speedometer for allowable indication error and check the operation of the odometer.

**HINT:**

Tire wear and tire over or under inflation will increase the indication error.

**Digital meter**

(mph)		(km/h)	
Standard indication	Allowable range	Standard indication	Allowable range
20	20 - 23	20	20 - 24
40	41 - 44	40	41 - 45
60	63 - 67	60	62 - 66
80	84 - 88	80	84 - 88
100	105 - 109	100	105 - 111
120	126 - 130	120	126 - 132
		140	148 - 154
		160	169 - 175

**Except australia analog meter**

(mph)		(km/h)	
Standard indication	Allowable range	Standard indication	Allowable range
20	21 - 23.5	20	21 - 25
40	41.5 - 44	40	41.5 - 46
60	62.5 - 66	60	62.5 - 67
80	83 - 87	80	83 - 88
100	104 - 108.5	100	104 - 109
		120	125 - 130.5
		140	145.5 - 151.5
		160	166 - 173
		180	188.5 - 194.5

**Australia analog meter**

(mph)		(km/h)	
Standard indication	Allowable range	Standard indication	Allowable range
		20	17.5 - 21.5
		40	38 - 42
		60	58 - 63
		80	78 - 84
		100	99 - 104.5
		120	119.5 - 125.5
		140	139.5 - 146.5
		160	159.5 - 167.5
		180	179.5 - 188.5

If error is excessive, replace the speedometer.



