



WELLS BLOOMFIELD, LLC
 2 ERIK CIRCLE, P. O. Box 280 Verdi, NV 89439
 telephone: 775-689-5703
 fax: 775-689-5976
 www.wellsbloomfield.com

PARTS LIST

PL301

COUNTERTOP STANDARD FRYERS

F-14

F-49

F-55

F-67

F-85

F-1725

CONTENTS

| Description | page |
|---------------------|------|
| Parts List | 2 |
| F-14 (LLF-14) | 4 |
| F-49 | 5 |
| F-55 | 6 |
| F-67 | 7 |
| F-85 | 8 |
| F-1725 | 10 |

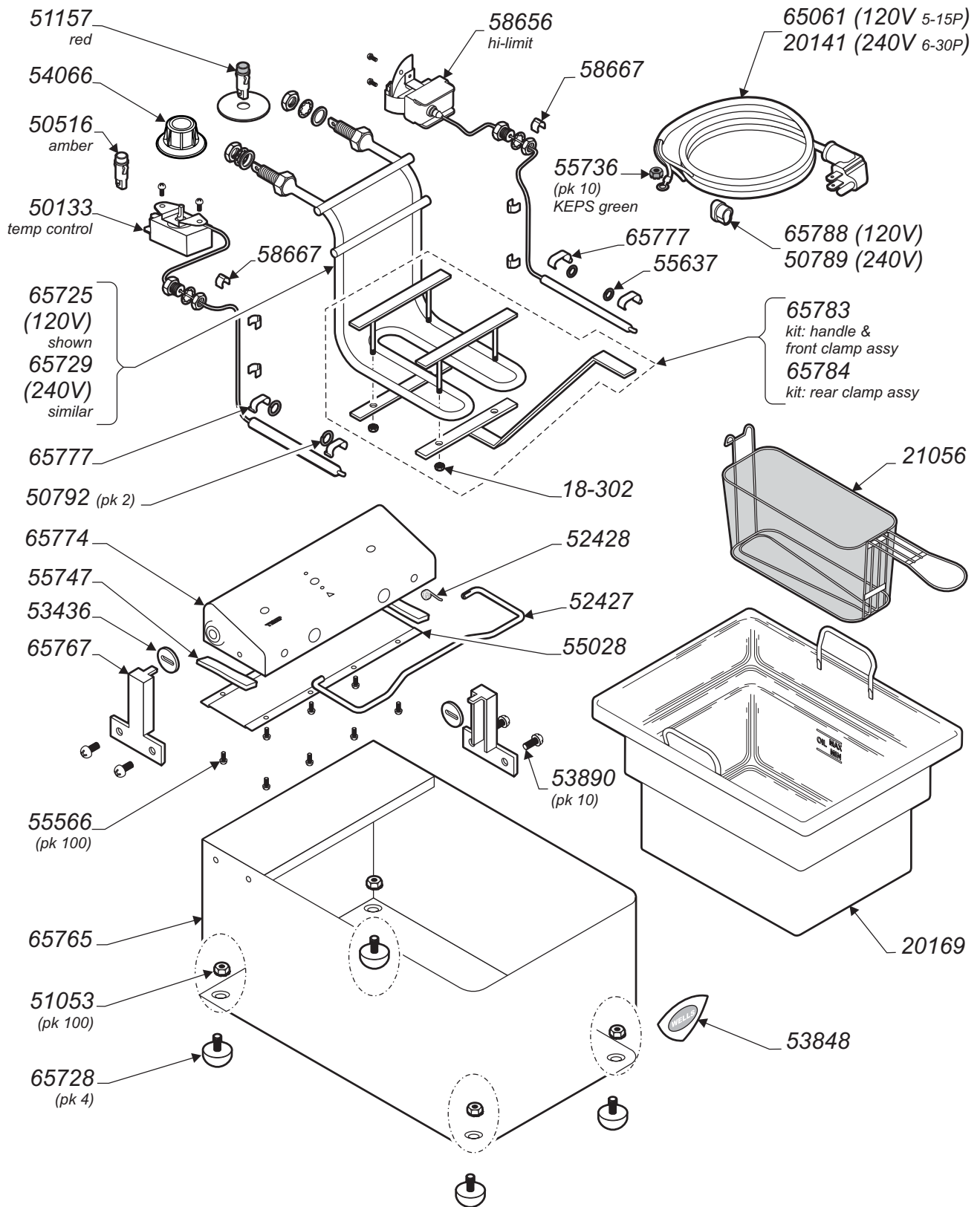
PRINTED IN UNITED STATES OF AMERICA

| PART # | DESCRIPTION |
|-----------------------------|---------------------------------|
| OPTIONAL ACCESSORIES | |
| 20141 | CORDSET, 240V 6-30P |
| 20142 | CORDSET FOR F-55 |
| 20161 | FRY BASKET, HALF-SIZE |
| 20162 | FRY BASKET, FULL-SIZE |
| 20169 | FRYPOT, F-49, F-55, F-67 |
| 20314 | ADJUSTABLE LEG GRAY , SET OF 4 |
| 20388 | POTATO SCREEN |
| 20519 | FRYPOT, F-1725 |
| 20563 | ADJUSTABLE LEG, SET OF 4 |
| 20690 | CRUMB CRADLE 12"x8½" |
| 20820 | FRY BASKET, TWIN, F-1725 |
| 21010 | COVER, FRYPOT |
| 21506 | FRY BASKET, HALF-SIZE |
| 21727 | PAN WARMER LANDING STATION |
| HARDWARE, etc. | |
| 50145 | CLAMP, THERMOBULB |
| 50157 | CLAMP, CAPILLARY |
| 50172 | NUT, FRYER ELEMENT |
| 50176 | LOCK WASHER, ELEMENT (pk 10) |
| 50177 | FIBER WASHER, ELEMENT |
| 50789 | STRAIN RELIEF |
| 50792 | RING, THERMO SS .37 ID (pk 2) |
| 51038 | CLIP, TINNEMAN BLK (pk 10) |
| 51040 | GROMMET INSULATION 7/8" |
| 51053 | NUTS, 8-32 KEPS (pk 100) |
| 51207 | WASHER, SS BASKET ROD |
| 51208 | WASHER, NEOPRENE BASKET ROD |
| 51717 | SCREW 8-32 x 7/8 PH FL |
| 51718 | SCREW 8-32 x 3/16 RD (pk 10) |
| 51728 | TIE CABLE LG PANDUIT #42 |
| 51881 | SLEEING VARGLAS 5/8 DIA |
| 53890 | SCREW 12-24 x3/4 (pk 10) |
| 53935 | SCREW #6SMS x 1/4 (pk 100) |
| 54284 | RIVET POP 3/32ID x1/8 |
| 55566 | SCREW #6SMS # 1/4 TH SS (pk100) |
| 55637 | RING, WIRE SS .25" ID |
| 55736 | NUT, 8-32 KEPS GREEN (pk 10) |
| 58751 | RING WIRE SS .25" x .093" |
| 61974 | NUT 8-32 7/8" LG ALUM (pk 10) |
| 62504 | CLIP, THERMOBULB (pk 4) |
| 63665 | CLIP THERMOBULB (pk 10) |
| 63738 | BOOT, ROCKER SWITCH |
| 65728 | FOOT, RUBBER (pk 4) |

| PART # | DESCRIPTION |
|-------------------|------------------------------------|
| ELECTRICAL | |
| 50131 | TERMINAL BLOCK 3P |
| 50133 | THERMOSTAT, F-49, F-55, F-67 |
| 50516 | INDICATOR LIGHT, AMBER |
| 51157 | INDICATOR LIGHT, RED |
| 53068 | TERMINAL BLOCK 2P |
| 54005 | JUMPER, FLAME SENSOR |
| 54131 | CONNECTOR WIRE 12-14 GA |
| 55127 | SWITCH, POWER LIGHTED |
| 55510 | THERMOSTAT, F-85, F1725 |
| 57779 | CONTACTOR, 3P 208V |
| 57780 | CONTACTOR, 3P 240V |
| 58656 | THERMO, HI-LIMIT SAFETY |
| 58661 | ELEMENT, 208V, F-1725 |
| 58662 | ELEMENT, 240V, F-1725 |
| 58995 | HEAD ASSY F-1725 (208V) |
| 62842 | ELEMENT, 208V, F-55 F-85 |
| 62866 | ELEMENT, 240V, F-55 F-85 |
| 62891 | ELEMENT, 208V, F-49, F-67 |
| 62892 | ELEMENT, 240V, F-49, F-67 |
| 62896 | CONNECTOR WIRE 12-14 GA (pk5) |
| 62899 | HEAD ASSY COMPLETE 208V F-49 |
| 62900 | HEAD ASSY COMPLETE 240V F-49 |
| 62903 | HEAD ASSY COMPLETE 208V F-55 |
| 62904 | HEAD ASSY COMPLETE 240V F-55 |
| 62905 | HEAD ASSY F-55 (208V) |
| 62906 | HEAD ASSY F-55 (240V) |
| 62915 | HEAD ASSY COMPLETE 208V F-67 |
| 62916 | HEAD ASSY COMPLETE 240V F-67 |
| 62919 | HEAD ASSY 208V F-67 |
| 62922 | HEAD ASSY F-85 (208V) |
| 62923 | HEAD ASSY F-85 (240V) |
| 63652 | ELEM & HI-LIMIT KIT 208V F-49 / 67 |
| 63653 | ELEM & HI-LIMIT KIT 240V F-49 / 67 |
| 63654 | ELEM & HI-LIMIT KIT 208V F-55 |
| 63655 | ELEM & HI-LIMIT KIT 240V F-55 |
| 65061 | CORDSET, 120V 5-15P |
| 65725 | ELEMENT, F-14 120V |
| 65729 | ELEMENT, F-14 240V |
| 65781 | HEAD ASSY, 120V F-14 |
| 65782 | HEAD ASSY, 240V F-14 |
| 65788 | STRAIN RELIEF 120V CORD |
| 500141 | CORDSET FOR F-67 |

| PART # | DESCRIPTION |
|---------------------------------|--|
| CABINET & MECHANICAL | |
| 50183 | BRACKET, PIVOT |
| 50464 | CONTROL BOX |
| 51206 | BASKET ROD |
| 52427 | SUPPORT ROD, CONTROL HEAD |
| 52428 | SPRING, SUPPORT ROD |
| 52704 | BOX CONTACTOR, F-1725 |
| 52806 | COVER, PIVOT BRACKET |
| 53245 | COVER, PIVOT INTERMEDIATE, F-67 |
| 53435 | BRACKET, PIVOT F-49 |
| 53436 | WASHER, SLOTTED PIVOT |
| 53526 | HANDLE, ELEM LIFT F-101 |
| 53528 | CLAMP ELEM LIFT LEFT F-101 |
| 53529 | PIVOT ELEMENT LIFT F-101 |
| 53848 | WELLS TRADE MARK CASTING |
| 53860 | GASKET, CONTACTOR BOX F-1725 |
| 53891 | CLAMP ELEM LIFT RIGHT F-101 |
| 54066 | KNOB, TEMP CONTROL, F-14, F-49, F-55, F-67 |
| 54206 | SHELL ASSY, F-49 |
| 54323 | COVER, CONTROL BOX, F-49 |
| 54452 | RETAINER, BASKET ROD |
| 54662 | COVER, CONTROL BOX F-1725 |
| 54665 | SUPPORT ROD, CTRL HEAD F-1725 |
| 54666 | BASKET ROD F-1725 |
| 54748 | COVER CONTACTOR BOX F-1725 |
| 55028 | COVER, CONTROL BOX |
| 55034 | CONTROL BOX, F-101 |
| 55511 | KNOB, TEMP CTRL, F-85, F-1725 |
| 55747 | GASKET (pk 12) |
| 58665 | CLAMP, THERMOBULB, F-1725 |
| 58667 | CLAMP, CAPILLARY |
| 58687 | CONTROL BOX, F-1725 |
| 58717 | ELEMENT CLAMP FRONT F-1725 |
| 58718 | BRACKET, ELEM CLAMP F-1725 |
| 58719 | ELEMENT CLAMP REAR, F-1725 |
| 58729 | HANDLE, LIFT ASSY F-1725 |
| 62504 | CLAMP, THERMOBULB, F-101 |
| 64625 | ELEMENT LIFT ASSY, F-101 |
| 65765 | SHELL ASSY, F-14 |
| 65767 | BRACKET, PIVOT HEAD |
| 65774 | CONTROL BOX, SHELL ONLY |
| 65777 | CLAMP, BULB LLF-14 |
| 65783 | HANDLE & FRONT CLAMP ASSY |
| 65784 | REAR CLAMP ASSY |

F-14 (LLF-14) COUNTERTOP 14# FRYER

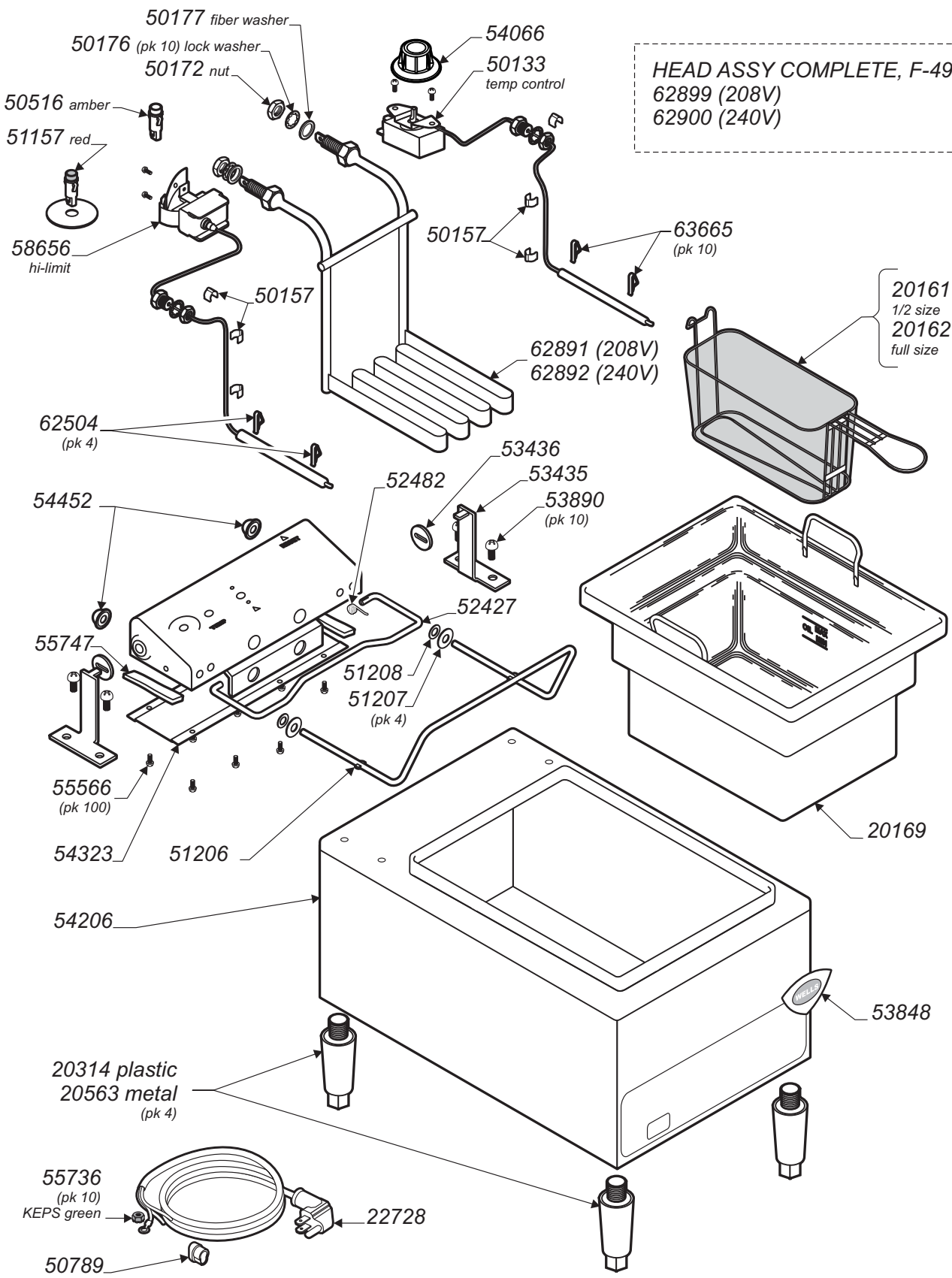


PL301 Service Parts List - Standard Countertop Fryer

F-49 COUNTERTOP SINGLE-HEAD FRYER

HEAD ASSY COMPLETE, F-49
 62899 (208V)
 62900 (240V)

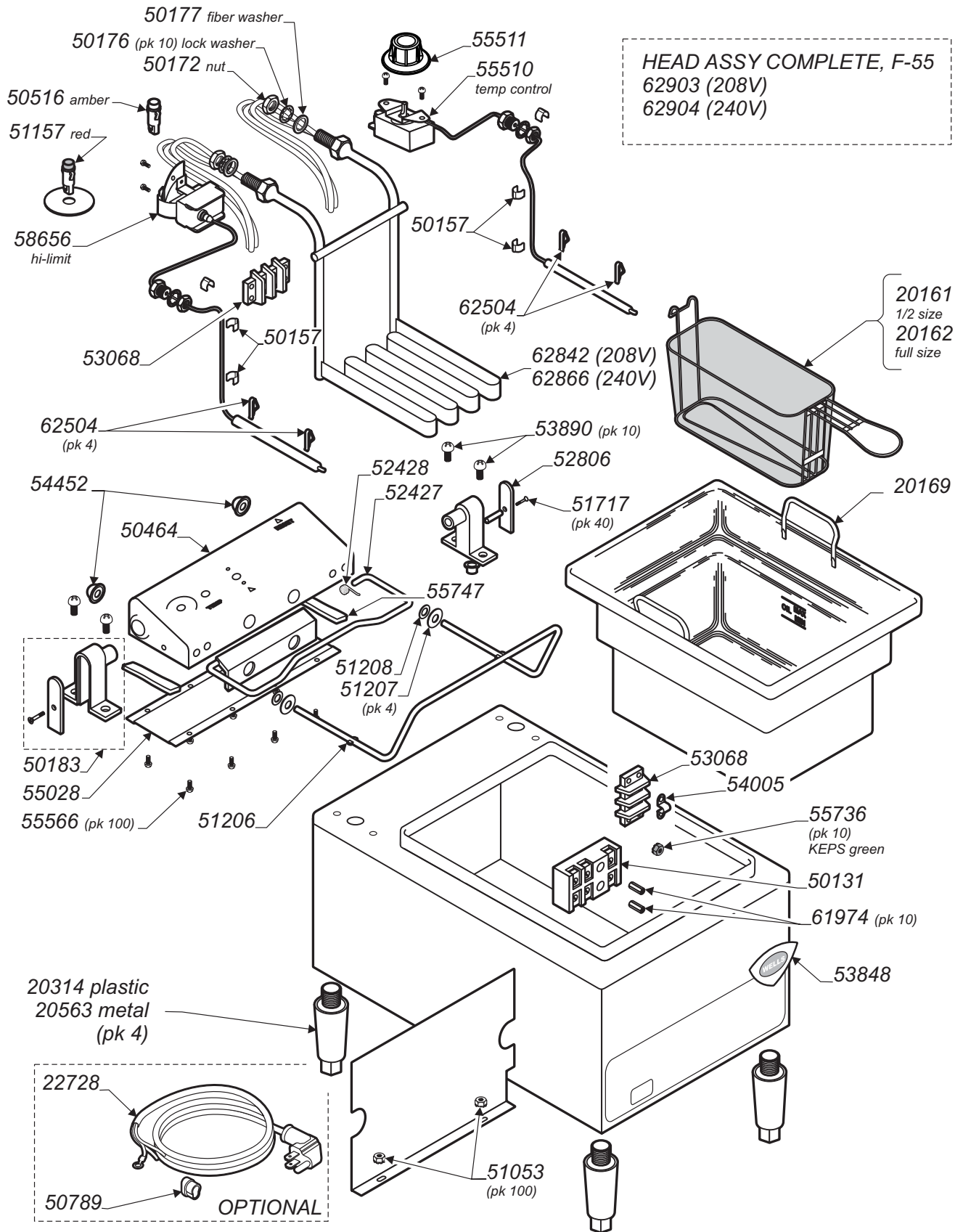
20161
 1/2 size
 20162
 full size



PL301 Service Parts List - Standard Countertop Fryer

F-55 COUNTERTOP SINGLE-HEAD FRYER

HEAD ASSY COMPLETE, F-55
62903 (208V)
62904 (240V)

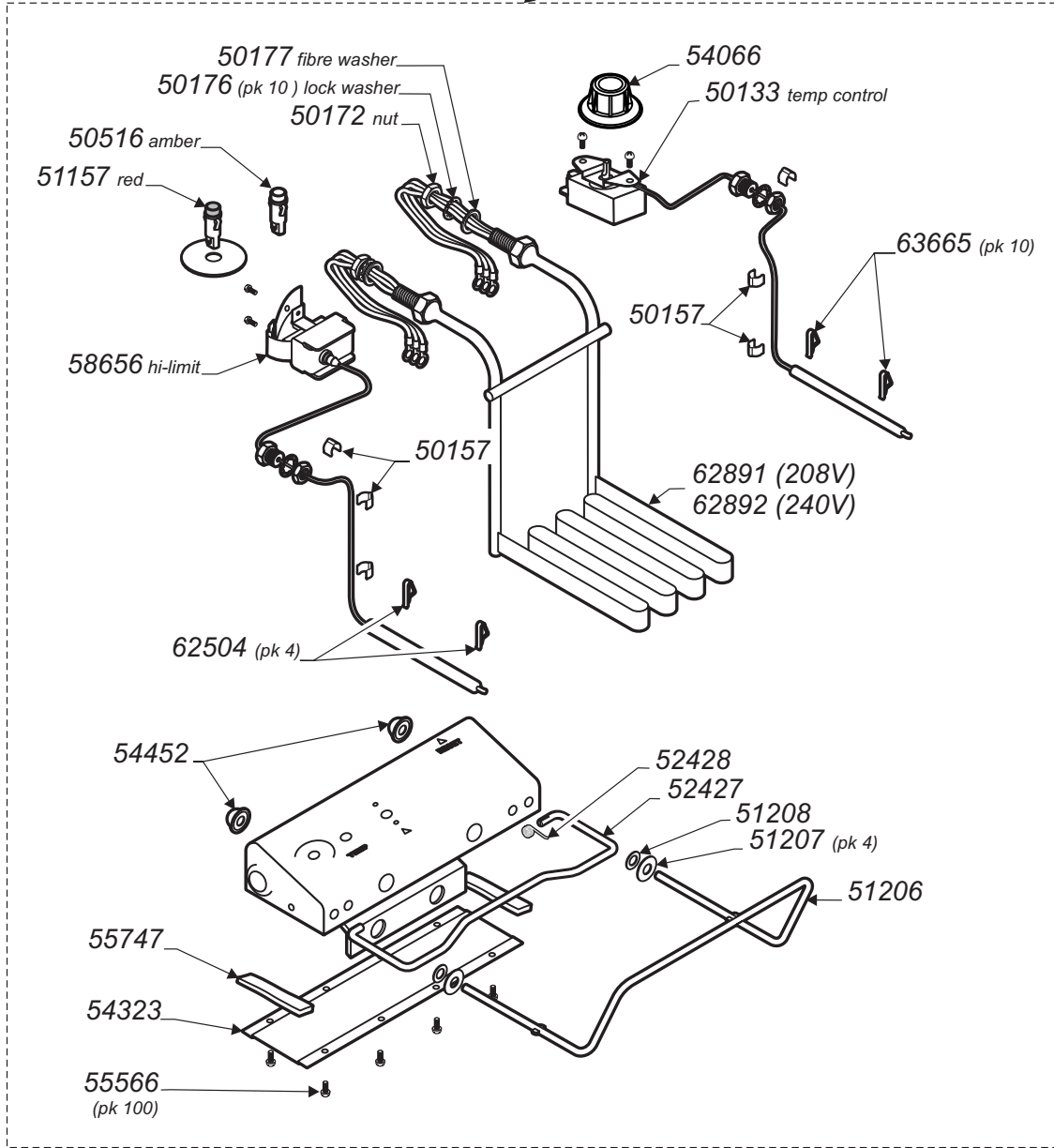


PL301 Service Parts List - Standard Countertop Fryer

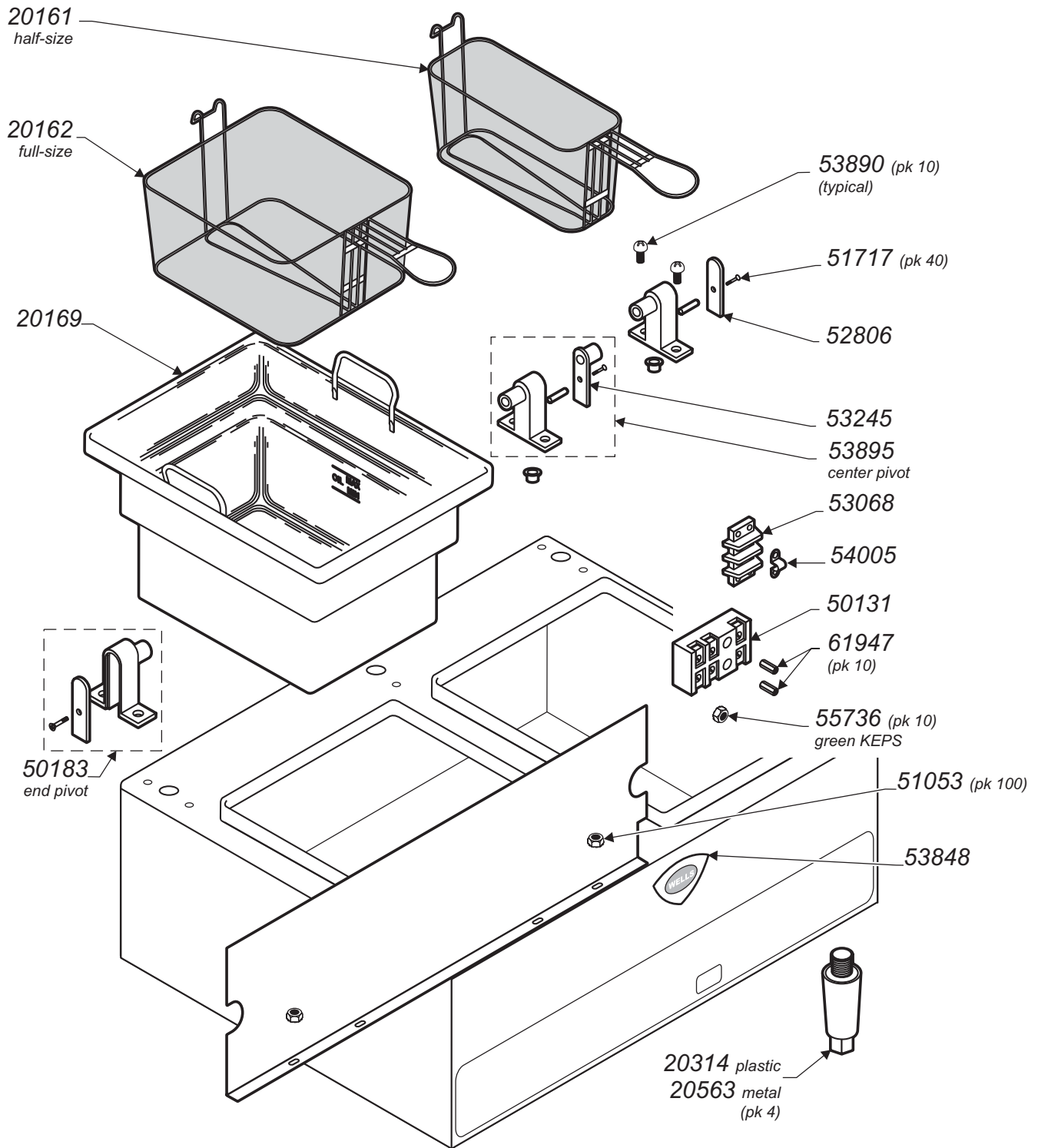
F-67 COUNTERTOP DUAL-HEAD FRYER - FRY HEAD COMPONENTS

NOTE: Unit has two identical fryer heads. Only one is shown

HEAD ASSY COMPLETE, F-67
 62915 (208V)
 62916 (240V)



F-67 COUNTERTOP DUAL-HEAD FRYER - CABINET COMPONENTS

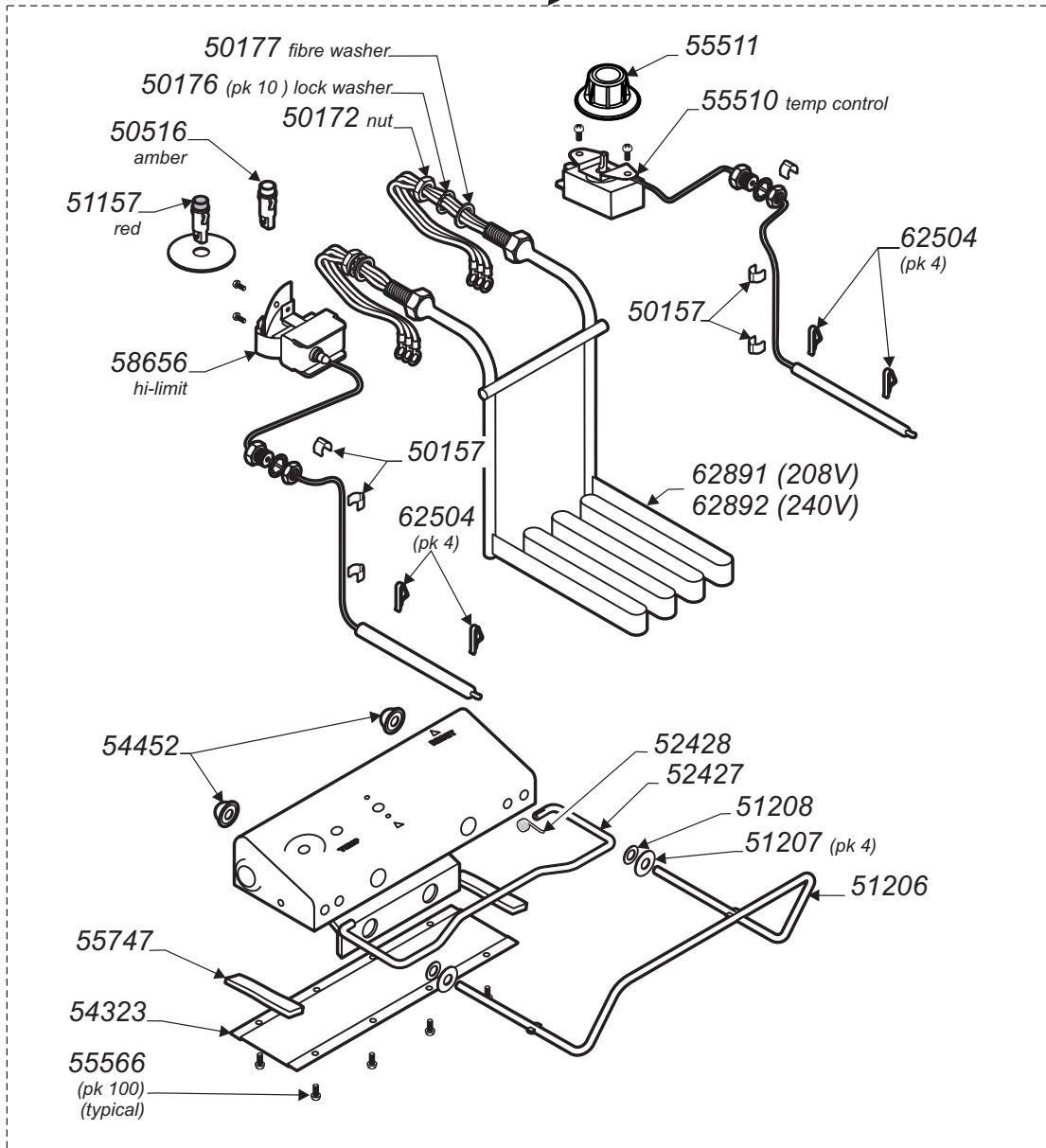


PL301 Service Parts List - Standard Countertop Fryer

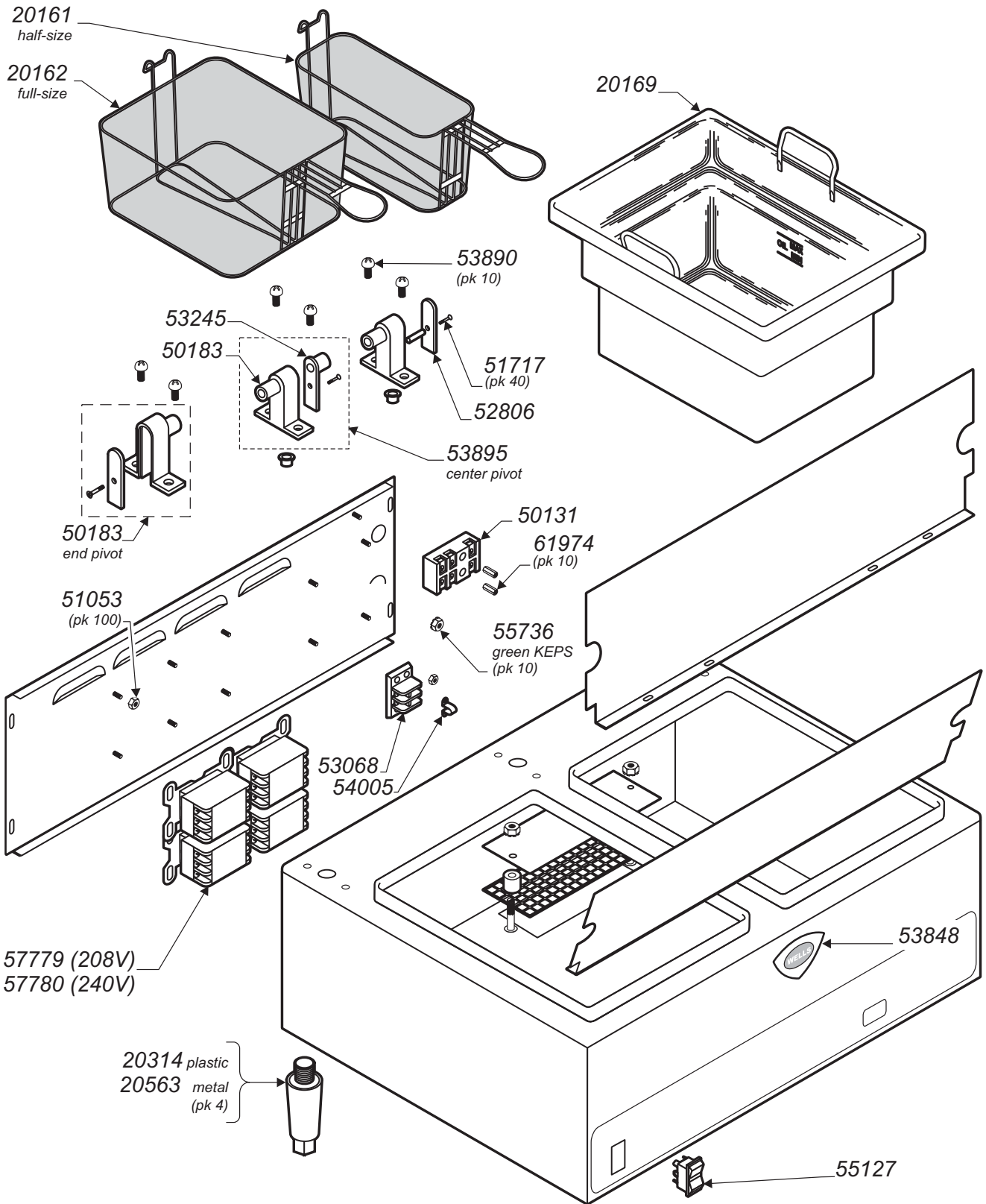
F-85 - COUNTERTOP DUAL-HEAD FRYER - FRY HEAD COMPONENTS

NOTE: Unit has two identical fryer heads. Only one is shown

HEAD ASSY COMPLETE, F-85
62903 (208V)
62904 (240V)

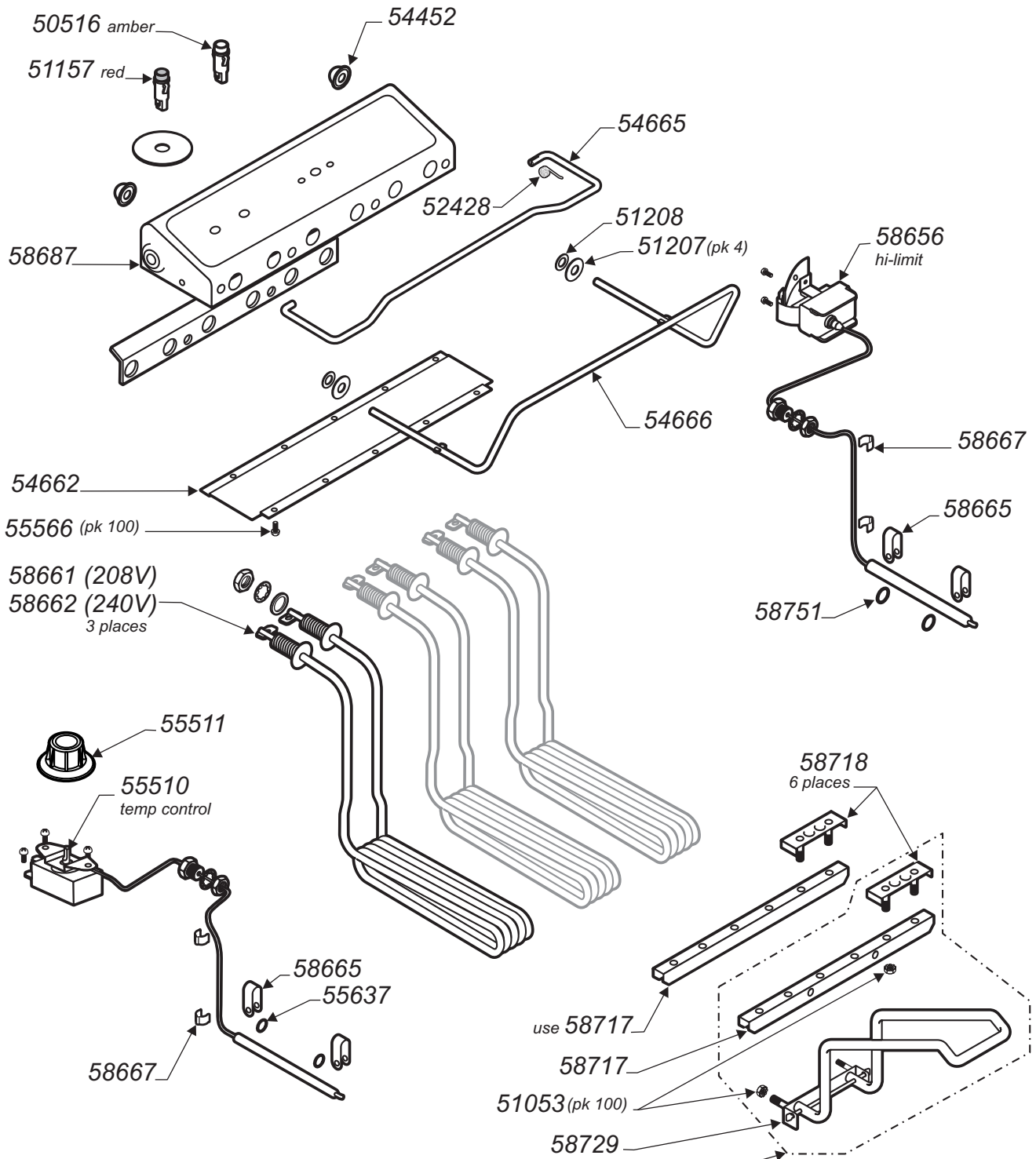


F-85 - COUNTERTOP DUAL-HEAD FRYER - CABINET COMPONENTS



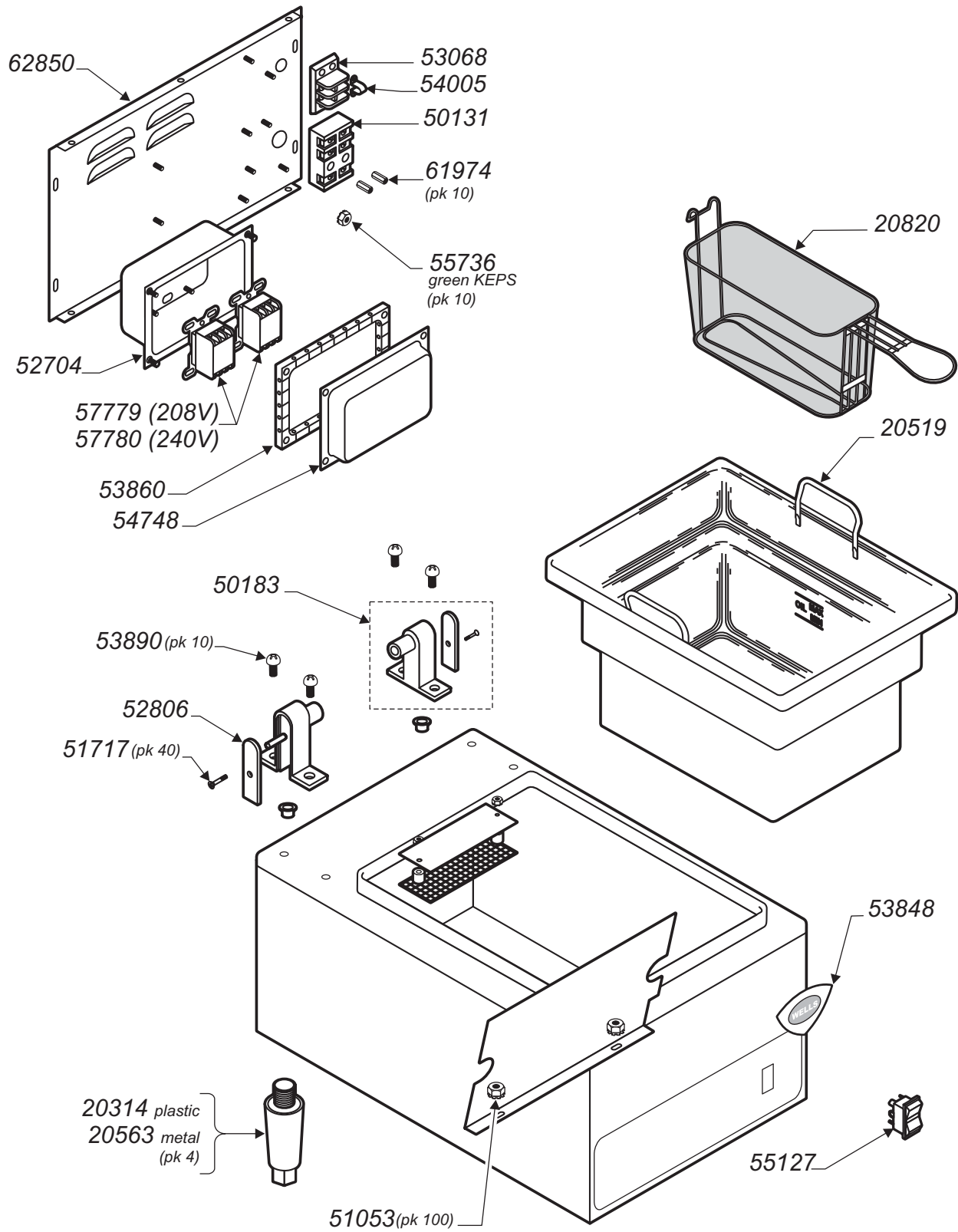
PL301 Service Parts List - Standard Countertop Fryer

F-1725 - COUNTERTOP MULTI-ELEMENT SINGLE-HEAD FRYER - FRY HEAD COMPONENTS



KIT 62568 contains:
 8 ea 51053
 1 ea 58729
 1 ea 58717
 3 ea 58718

F-1725 - COUNTERTOP MULTI-ELEMENT SINGLE-HEAD FRYER - CABINET COMPONENTS



PL301 Service Parts List - Standard Countertop Fryer



Wells Bloomfield proudly supports CFESA
Commercial Food Equipment Service Association

SERVICE TRAINING - QUALITY SERVICE



CUSTOMER SATISFACTION



WELLS BLOOMFIELD, LLC
2 ERIK CIRCLE, P. O. Box 280 Verdi, NV 89439
telephone: 775-689-5703
fax: 775-689-5976
www.wellsbloomfield.com

PRINTED IN UNITED STATES OF AMERICA