



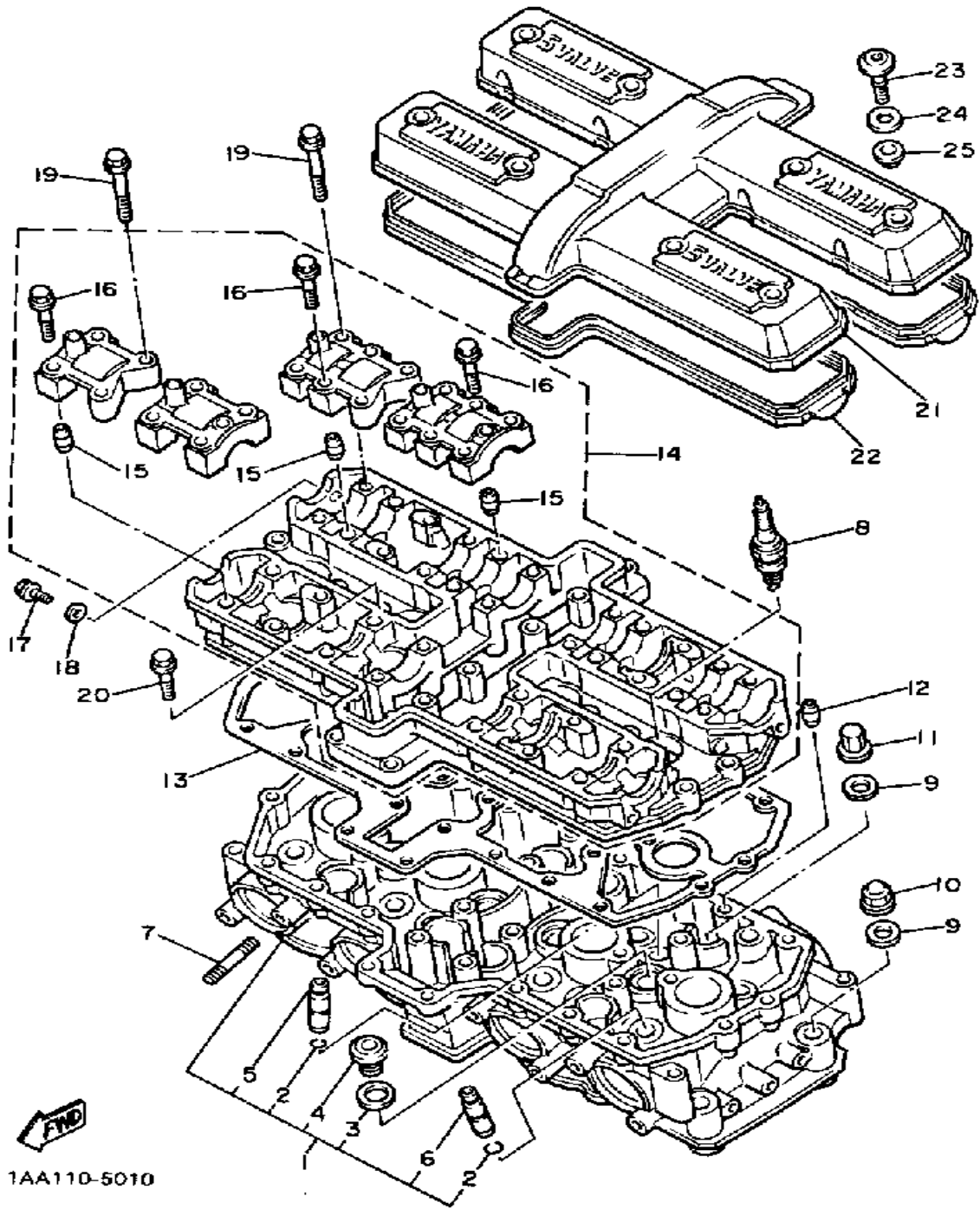
YAMAHA

GENUINE

PARTS CATALOGUE

MOTORCYCLE

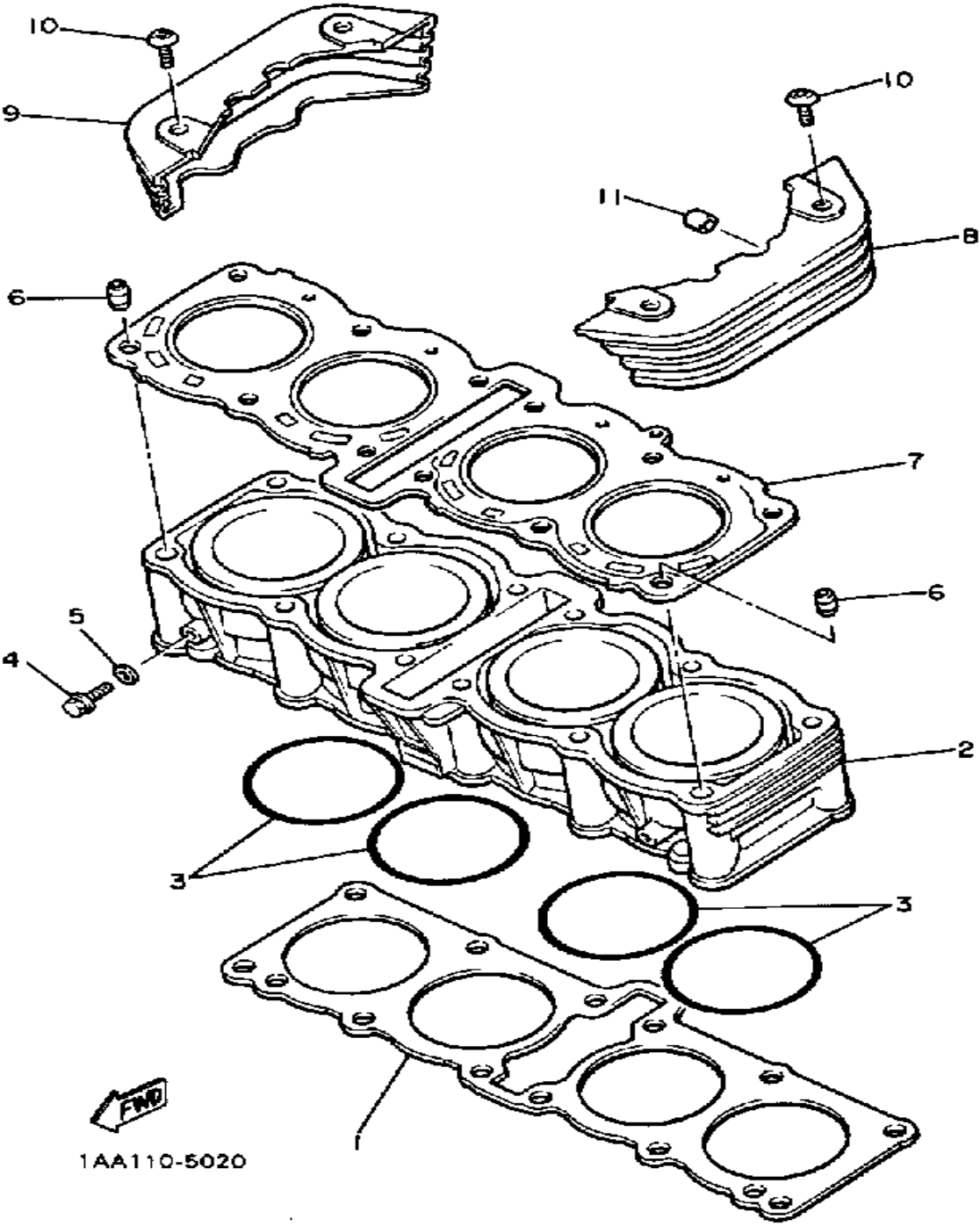
CYLINDER HEAD



1AA110-5010

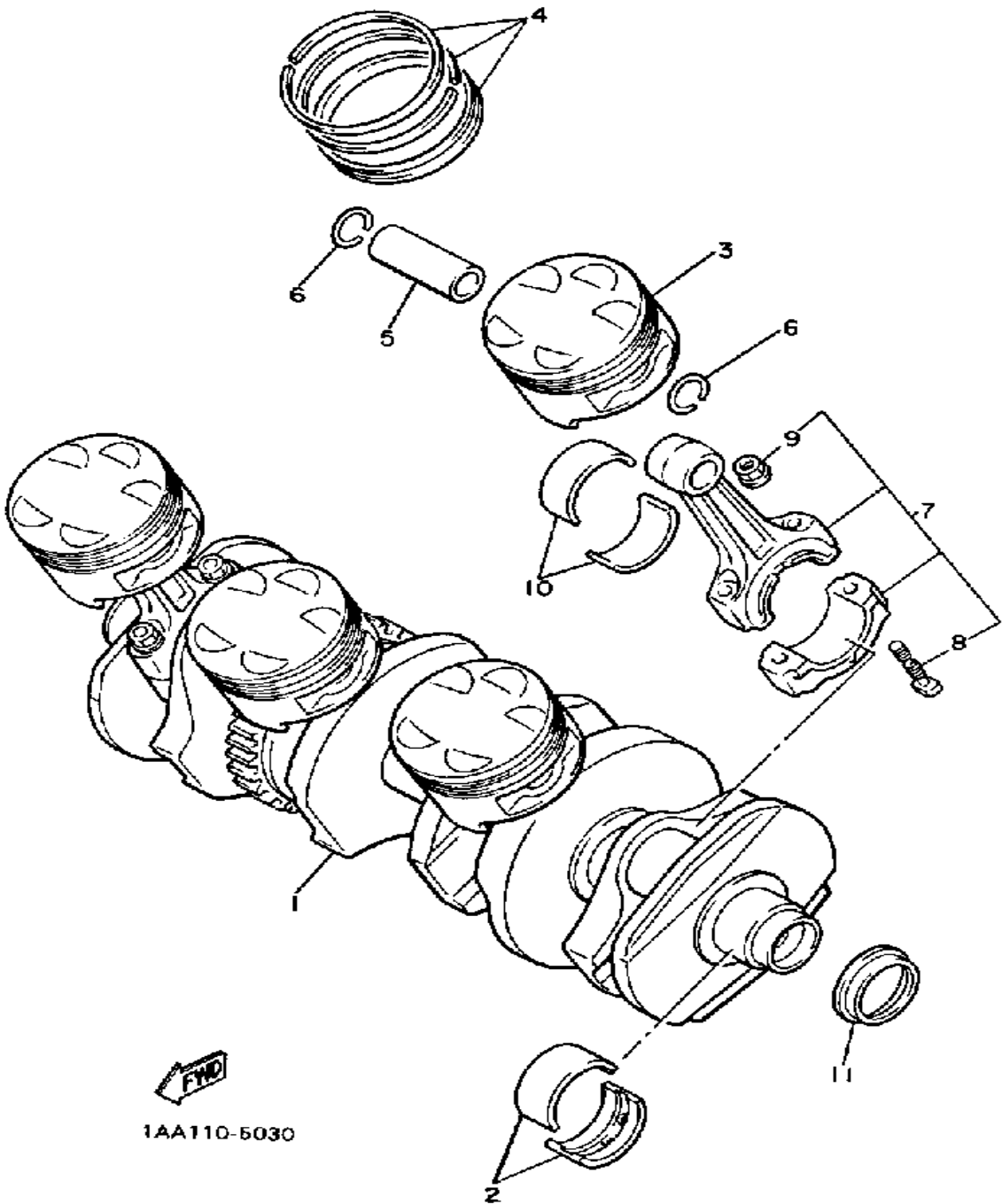
Ref. No.	Part Number	Description	Qty	Remarks
1	(1AA-Y1111-00-00)	CYLINDER HEAD ASSEMBLY	1	
2	93440-09141-00	. CIRCLIP	20	
3	90201-183H2-00	. WASHER, PLATE	4	
4	90340-18101-00	. PLUG, STRAIGHT SCREW	4	
5	1AA-11133-10-00	. GDE, INTK VLV 1 O/S	12	
6	1AA-11134-10-00	. GDE, EXST VLV 1 O/S	8	
7	95611-06630-00	BOLT, STUD	8	
8	(94701-00181-00)	ND X24ES-U XJ550RH	4	U.R.
	NGK-D8EA0-00-00	PLUG, SPARK (NGK D8EA)	4	U.R.
9	90201-096J9-00	WASHER, PLATE	12	
10	90179-09489-00	NUT, SPEC'L SHAPE	4	
11	90179-09490-00	NUT, SPEC'L SHAPE	8	
12	99530-10014-00	PIN, DOWEL	2	
13	2GH-11182-00-00	GASKET, CYLINDER HEAD 2	1	
14	1AA-1115A-01-00	CAM CASE ASSEMBLY (1AA-1115A-00)	1	
15	99510-08016-00	. PIN, DOWEL	16	
16	90105-06153-00	. BOLT, WASHER BASED	16	
17	95020-60120-0	UNAVAILABLE IN PRICE BOOK	1	
18	90430-06014-00	GASKET	1	
19	90105-06362-00	BOLT, WASHER BASED	24	
20	95026-06025-00	BOLT, FLANGE	11	
21	1AA-11191-00-00	COVER, CYLINDER HEAD 1	1	
22	1AA-11193-00-00	GASKET, HD.COVER 1	1	
23	90119-06112-00	BOLT, WITH WASHER	8	
24	90209-11262-00	WASHER	8	
25	2GH-1111G-00-00	RUBBER, MOUNT 1	8	

CYLINDER



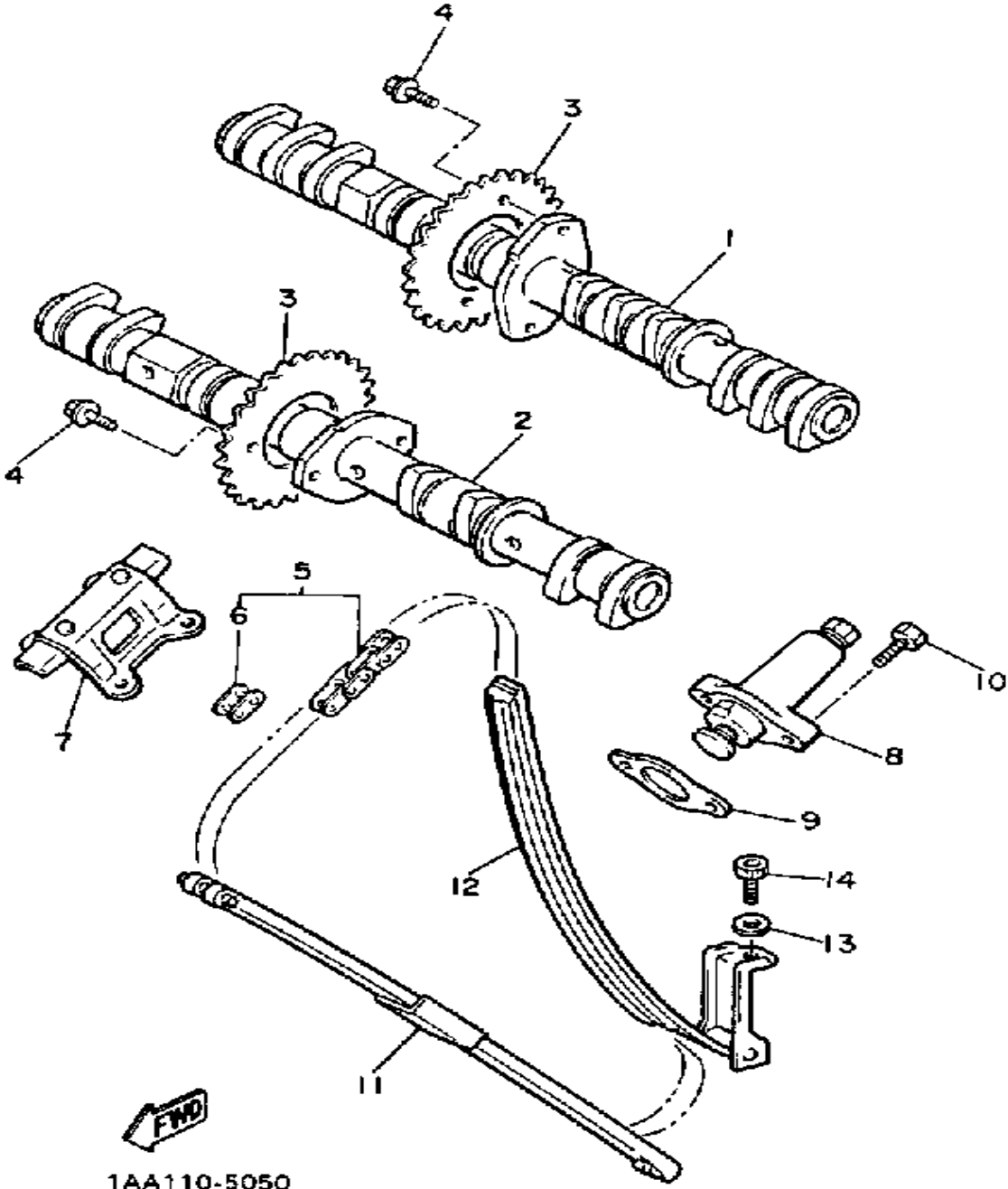
Ref. No.	Part Number	Description	Qty	Remarks
1	1AA-11351-00-00	GASKET, CYLINDER	1	
2	1AA-11310-00-00	CYLINDER	1	
3	93210-73693-00	O-RING	4	
4	95026-06012-00	BOLT, FLANGE	2	
5	90430-06014-00	GASKET	2	
6	99510-12016-00	PIN, DOWEL	2	
7	2KT-11181-01-00	GASKET, CYLINDER HEAD 1 (1AA-11181-00)	1	
8	1AA-1111M-00-00	COVER 1	1	
9	1AA-1111N-00-00	COVER 2	1	
10	90119-06111-00	BOLT, WITH WASHER	4	
11	90480-06424-00	GROMMET	4	

CRANKSHAFT - PISTON



Ref. No.	Part Number	Description	Qty	Remarks
1	1AA-11411-00-00	CRANKSHAFT	1	
2	4H7-11416-01-00	PLANE BRNG, CRSF 1	10	U.R. BLUE
	4H7-11416-11-00	PLANE BRNG, CRSF 1	10	U.R. BLACK
	4H7-11416-21-00	PLANE BRNG, CRSF 1	10	U.R. BROWN
	4H7-11416-31-00	PLANE BRNG, CRSF 1	10	U.R. GREEN
	4H7-11416-41-00	PLANE BRNG, CRSF 1	10	U.R. YELLOW
3	1AA-11631-00-00	PISTON STD	4	U.R.
	1AA-11636-00-00	PISTON 2 O/S 0.0	4	ALT. PART
	1AA-11638-00-00	PISTON 4 O/S 1.0	4	ALT. PART
4	1AA-11610-00-00	PISTON RING SET (STD)	4	U.R.
	1AA-11610-20-00	PISTON RING SET (2ND O/S)	4	ALT. PART
	1AA-11610-40-00	PISTON RING SET (4TH O/S)	4	ALT. PART
5	2GH-11633-02-00	PIN, PISTON	4	
6	93450-19052-00	CIRCLIP	8	
7	1AA-11650-00-00	CONNECTING ROD ASSEMBLY	4	
8	12R-11654-00-00	. BOLT, CONNECTING ROD	2	
9	90179-08316-00	. NUT	2	
10	(1AA-11656-10-00)	PLANE BRNG, CON ROD	8	U.R. BLACK
	(1AA-11656-30-00)	PLANE BRNG, CON ROD	8	U.R. GREEN
	1AA-11656-00-00	PLANE BRNG, CON ROD	8	U.R. BLUE
	1AA-11656-20-00	PLANE BRNG, CON ROD	8	U.R. BROWN
11	93101-32144-00	OIL SEAL	1	

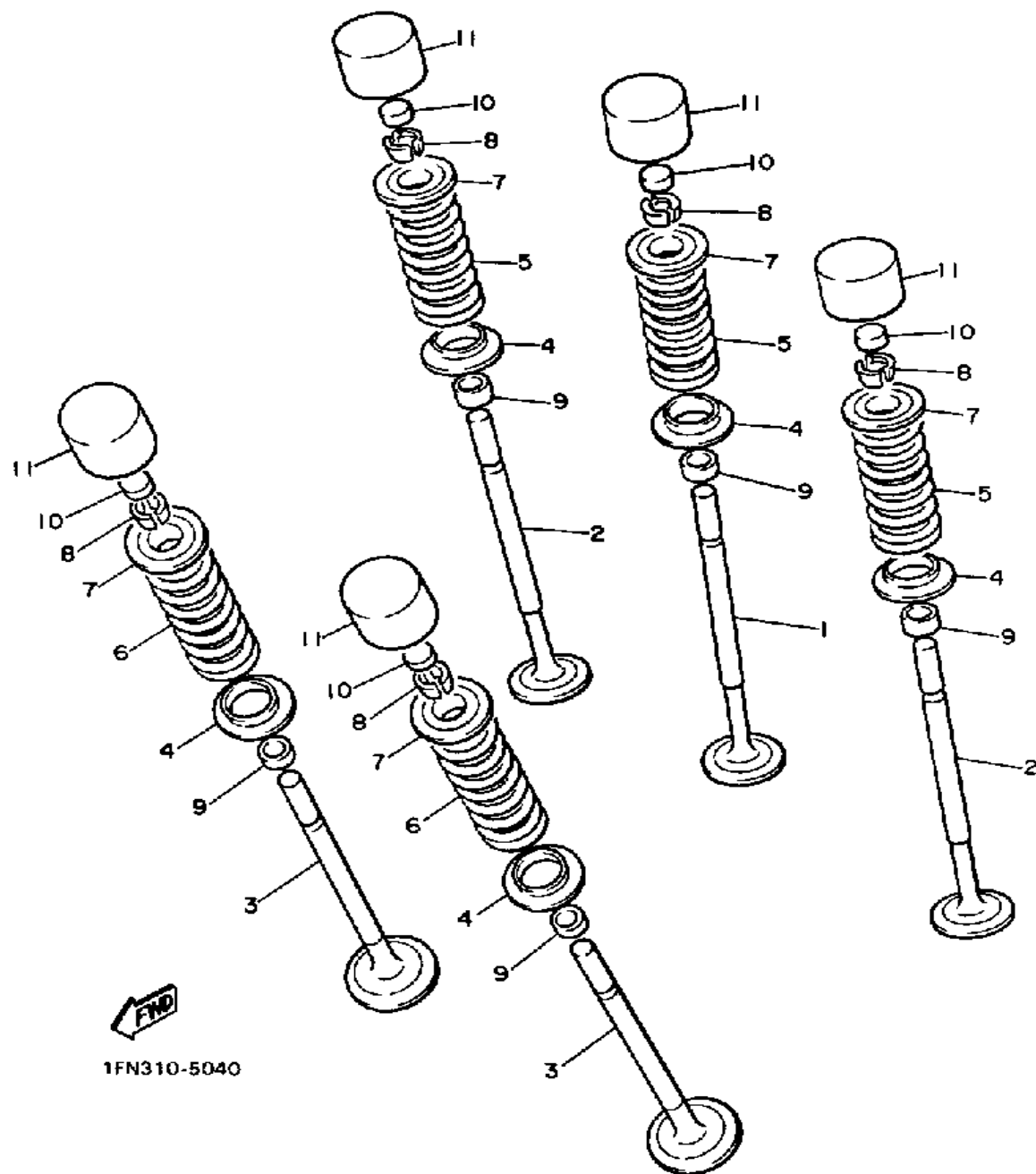
CAMSHAFT - CHAIN



Ref. No.	Part Number	Description	Qty	Remarks
1	1AE-12171-00-00	CAMSHAFT 1	1	
2	1AE-12181-00-00	CAMSHAFT 2	1	
3	(1AA-12176-00-00)	SPROCKET, CAM CHAIN	2	
4	90105-07342-00	BOLT, WASHER BASED	4	
5	94590-77112-00	CHAIN (1AA)	1	
6	(94690-77021-00)	JOINT, CHAIN (1AA)	1	
7	2GH-12241-00-00	GUIDE, STOPPER 2	1	
8	1AA-12210-00-00	TENSNR ASSEMBLY, CAM CHN	1	
9	4BE-12213-00-00	GASKET, TENSIONER CASE ..	1	
10	91316-06025-00	BOLT	2	
11	1AA-12251-00-00	DAMPER, CHAIN 1	1	
12	1AA-12252-00-00	DAMPER, CHAIN 2	1	
13	90201-061A5-00	WASHER, PLATE	1	
14	91316-06014-00	BOLT, SOCKET HEAD	1	

1AA110-5050

VALVE

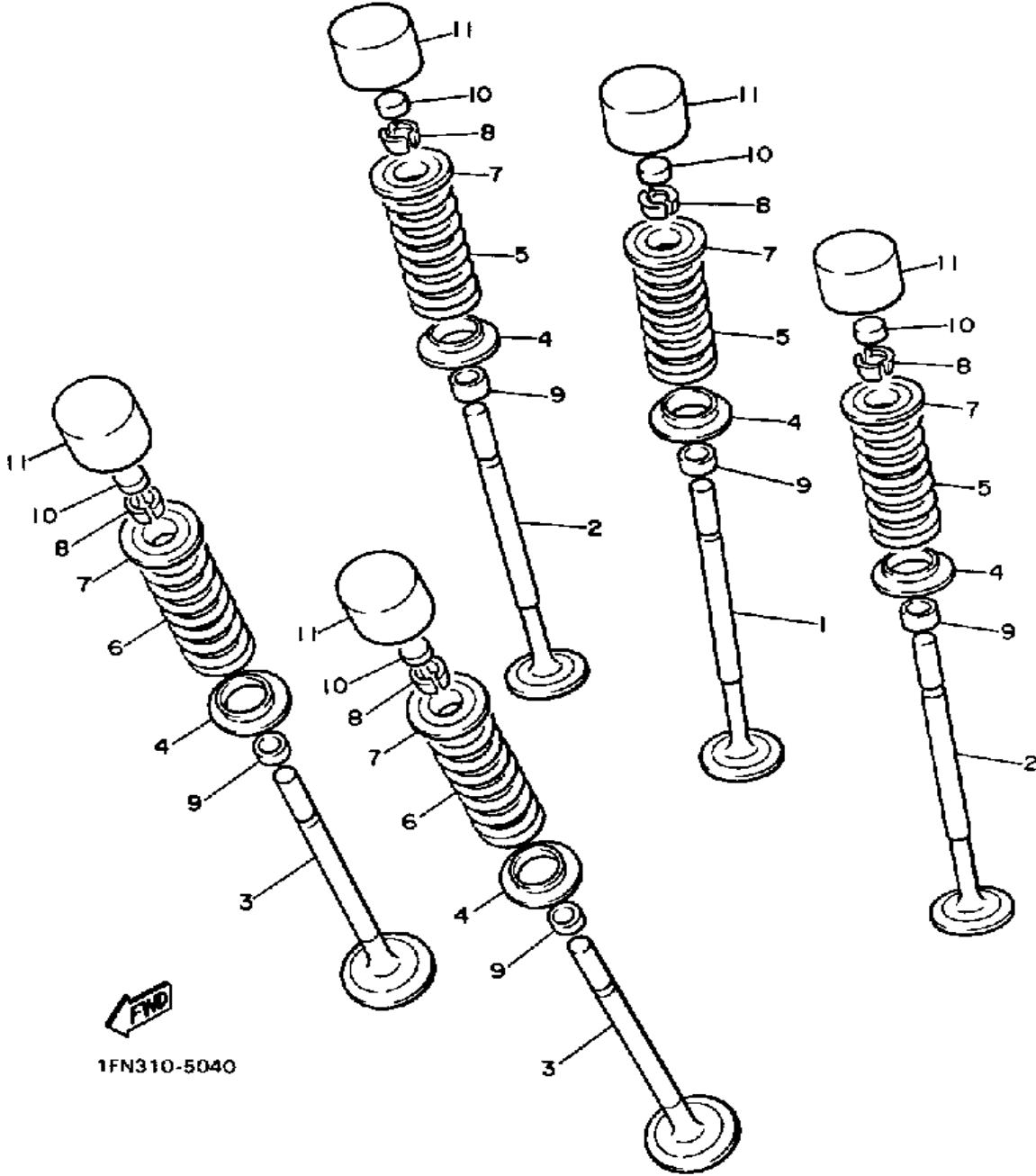


1FN310-5040

Ref. No.	Part Number	Description	Qty	Remarks
1	1AA-12111-01-00	VALVE, INTAKE	4	
2	1AA-12112-01-00	VALVE, INTAKE 2	8	
3	1AA-12121-01-00	VALVE, EXHAUST	8	
4	2GH-12116-00-00	SEAT, VALVE SPRING	20	
5	1AA-12113-01-00	SPRING, VALVE INNER	12	
6	1AA-12114-01-00	SPRING VALVE OUTER	8	
7	1AA-12117-00-00	RETAINER, VALVE SPR	20	
8	1AA-12118-00-00	COTTER, VALVE	40	
9	33M-12119-00-00	SEAL, VALVE STEM	20	
10	1AA-12159-10-00	UNAVAILABLE IN PRICE BOOK (1.90)	20	U.R.
	1AA-12168-00-00	PAD, ADJUSTING	20	U.R.
	1AA-12168-20-00	PAD, ADJUSTING	20	U.R.
	1AA-12168-40-00	PAD, ADJUSTING	20	U.R.
	1AA-12168-60-00	PAD, ADJUSTING	20	U.R.
	1AA-12168-80-00	PAD, ADJUSTING	20	U.R.
	1AA-12168-A0-00	PAD, ADJUSTING	20	U.R.
	1AA-12168-F0-00	PAD, ADJUSTING	20	U.R.
	1AA-12168-H0-00	PAD, ADJUSTING	20	U.R.
	1AA-12168-K0-00	PAD, ADJUSTING	1	U.R.
	1AA-12168-M0-00	PAD, ADJUSTING	20	U.R.
	1AA-12168-R0-00	PAD, ADJUSTING	20	U.R.
	1AA-12168-U0-00	PAD, ADJUSTING	20	U.R.
	1AA-12168-W0-00	PAD, ADJUSTING	20	U.R.
	1AA-12168-Y0-00	PAD, ADJUSTING	20	U.R.
	1AA-12169-30-00	PAD, ADJUSTING	20	U.R.
	1AA-12169-50-00	PAD, ADJUSTING	20	U.R.
	1AA-12169-70-00	PAD, ADJUSTING	20	U.R.
	1AA-12169-90-00	PAD, ADJUSTING	20	U.R.

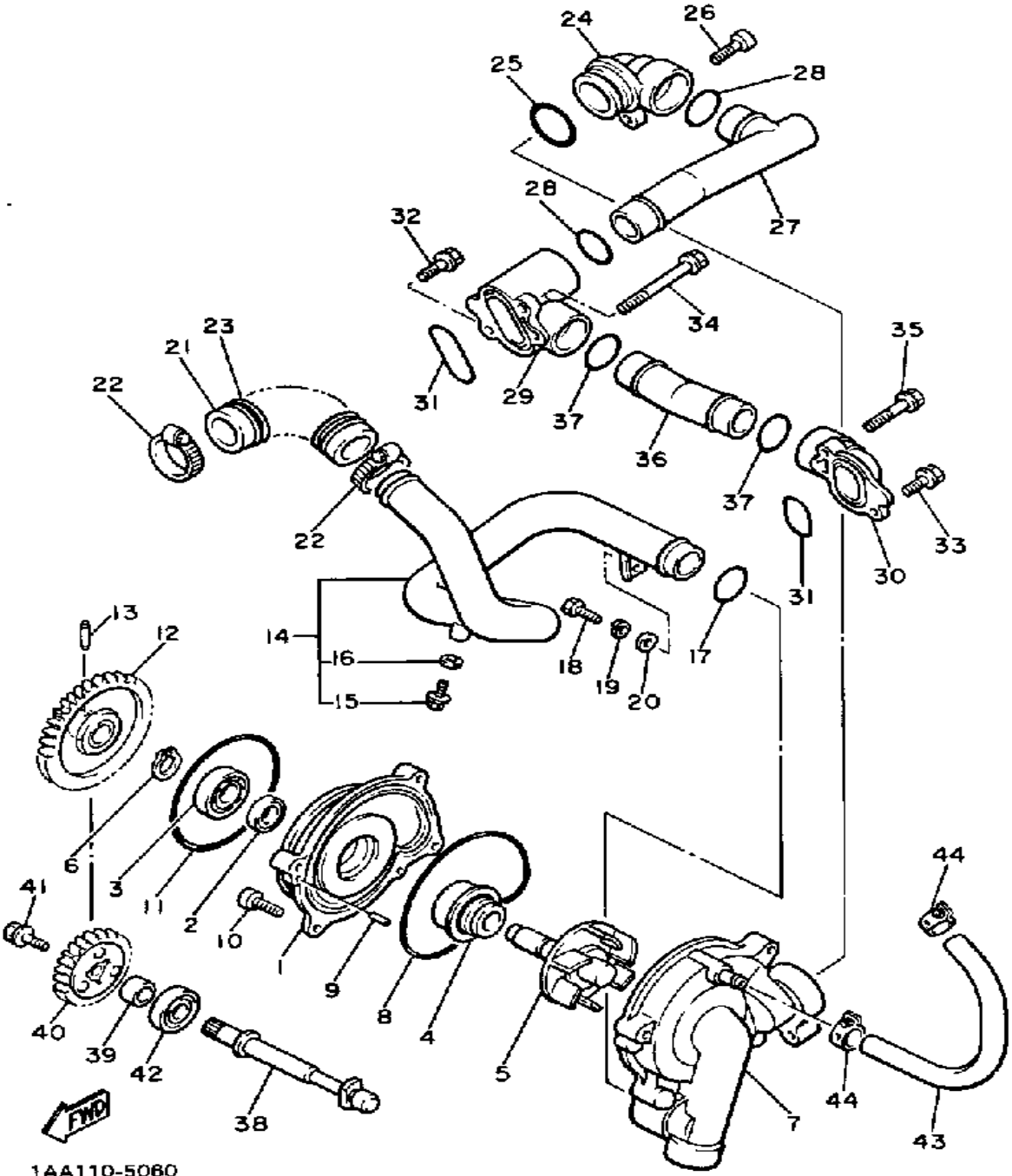
CONTINUED ON NEXT FRAME ►

VALVE



Ref. No.	Part Number	Description	Qty	Remarks
10	1AA-12169-E0-00	PAD, ADJUSTING	20	U.R.
	1AA-12169-G0-00	PAD, ADJUSTING	20	U.R.
	1AA-12169-J0-00	PAD, ADJUSTING	20	U.R.
	1AA-12169-L0-00	PAD, ADJUSTING	20	U.R.
	1AA-12169-N0-00	PAD, ADJUSTING	20	U.R.
	1AA-12169-T0-00	PAD, ADJUSTING	20	U.R.
11	2NK-12153-09-00	LIFTER, VALVE (O/S)	1	

WATER PUMP

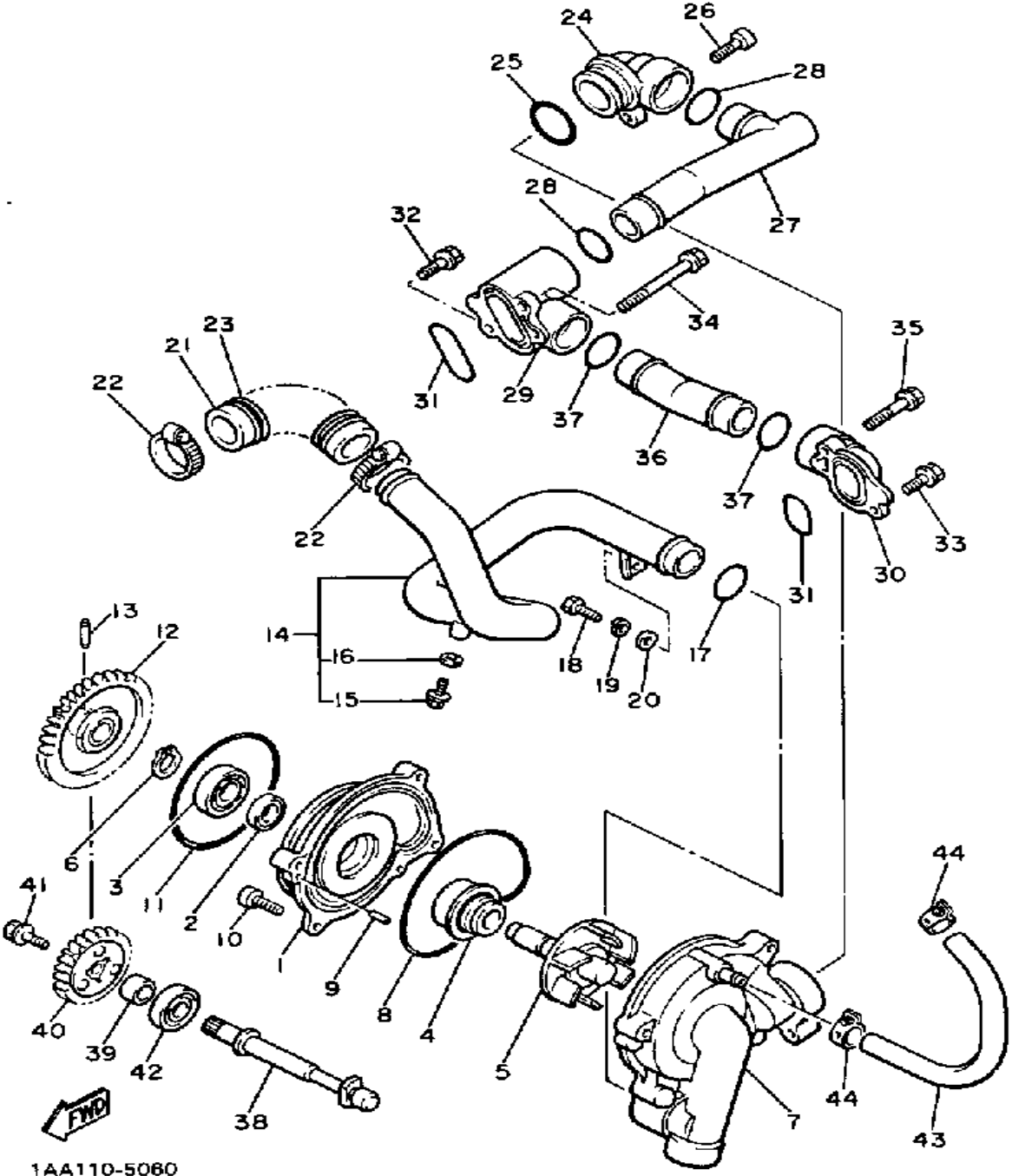


1AA110-5060

Ref. No.	Part Number	Description	Qty	Remarks
1	1AA-12421-00-00	HOUSING, WATER PUMP	1	
2	93101-12060-00	OIL SEAL	1	
3	93306-00106-00	BEARING	1	
4	11H-12438-00-00	SEAL, MECHANICAL	1	
5	1AA-12450-00-00	IMPELLER SHAFT ASSEMBLY	1	
6	99009-12400-00	CIRCLIP	1	
7	1AA-12422-00-00	COVER, HOUSING	1	
8	1AA-12439-00-00	O-RING	1	
9	93604-10011-00	PIN, DOWEL	2	
10	91316-06016-00	BOLT, SOCKET HEAD	1	
11	93210-81411-00	O-RING	1	
12	1AA-12459-02-00	GEAR, IMPELLER SHAF	1	
13	91609-40020-00	PIN, SPRING	1	
14	1AA-12481-00-00	PIPE 1	1	
15	95826-06010-00	. BOLT, FLANGE	1	
16	90430-06014-00	. GASKET	1	
17	93210-21190-00	O-RING	1	
18	97016-06016-00	BOLT	1	
19	92906-06100-00	WASHER, SPRING	1	
20	92906-06600-00	WASHER	1	
21	1AA-12578-00-00	HOSE 3	1	
22	90460-27219-00	CLAMP, HOSE	2	
23	90501-144A7-00	SPRING, COMPRESSION	1	
24	1AA-12499-00-00	JOINT	1	
25	93210-27458-00	O-RING	1	
26	91316-06020-00	BOLT, SOCKET HEAD	1	
27	(1AA-12482-00-00)	PIPE 2	1	
28	93210-23787-00	O-RING	2	
29	(1AA-12479-00-00)	JOINT	1	

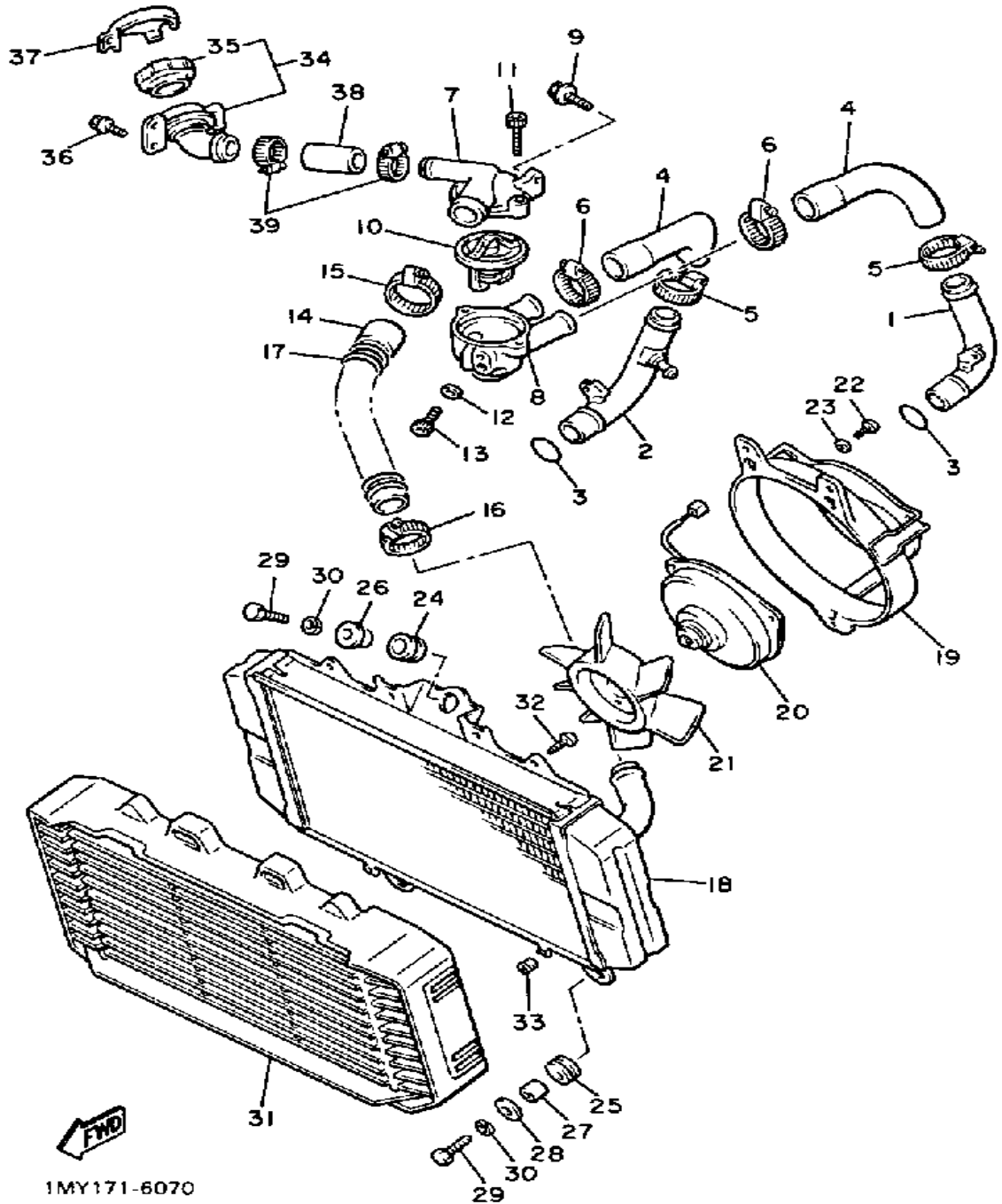
CONTINUED ON NEXT FRAME ➤

WATER PUMP



Ref. No.	Part Number	Description	Qty	Remarks
30	(1AA-12469-00-00)	JOINT 1	1	
31	93210-30694-00	O-RING	2	
32	95026-06020-00	BOLT, FLANGE	1	
33	95026-06016-00	BOLT, FLANGE	1	
34	95026-06060-00	BOLT, FLANGE	1	
35	95026-06035-00	BOLT, FLANGE	1	
36	(1AA-12483-00-00)	PIPE 3	1	
37	93210-18417-00	O-RING	2	
38	1AA-12426-00-00	SHAFT	1	
39	90387-102M6-00	COLLAR	1	
40	1AA-12540-00-00	GEAR, DRIVE ASSEMBLY 24T	1	
41	90105-06397-00	BOLT, WASHER BASED	1	
42	93306-90001-00	BEARING	2	
43	(1AA-12588-00-00)	HOSE 5	1	
44	90467-11090-00	CLIP	2	

RADIATOR - HOSE

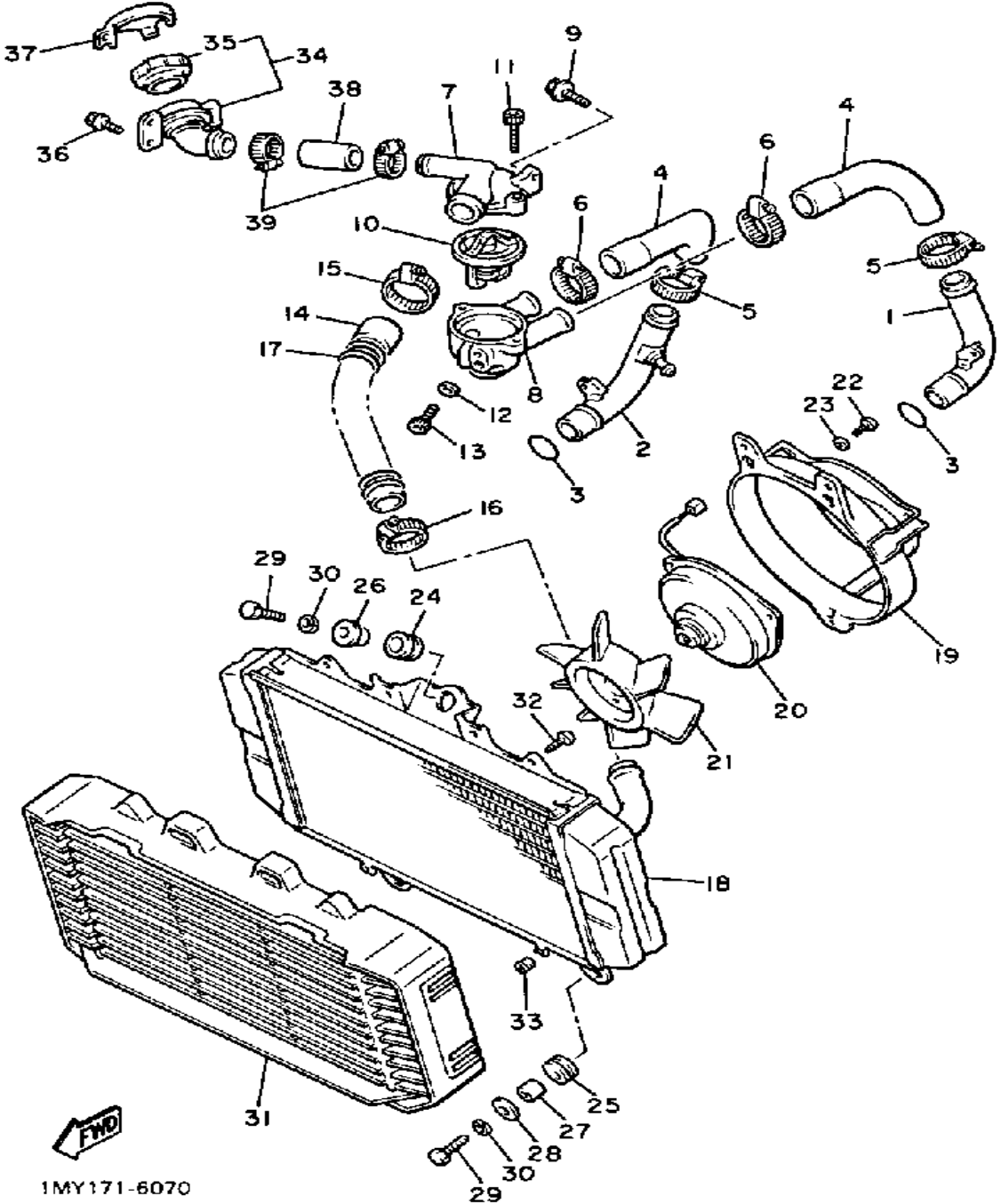


1MY171-6070

Ref. No.	Part Number	Description	Qty	Remarks
1	1AA-12484-00-00	PIPE 4	1	
2	1AA-12485-00-00	PIPE 5	1	
3	93210-18417-00	O-RING	2	
4	1AA-12579-00-00	HOSE, 4	2	
5	(90460-30249-00)	CLAMP, HOSE	2	
6	90460-27219-00	CLAMP, HOSE	2	
7	1AA-12413-00-00	COVER, THERMOSTAT	1	
8	(1AA-12417-00-00)	HOUSING, THERMOSTAT	1	
9	95826-06020-00	BOLT, flange (95806-06020-00)	1	
10	3GM-12410-00-00	THERMOSTAT ASSEMBLY	1	
11	91316-06025-00	BOLT	2	
12	90430-06014-00	GASKET	1	
13	91316-06010-00	BOLT, SOCKET HEAD	1	
14	1AA-12577-00-00	HOSE 2	1	
15	90460-38285-00	CLAMP, HOSE	1	
16	90460-27219-00	CLAMP, HOSE	1	
17	(90501-144A6-00)	SPRING, COMPRESSION	1	
18	1AA-12461-00-00	RADIATOR ASSEMBLY	1	
19	1AA-12620-00-00	AIR SHROUD ASSEMBLY	1	
20	1AA-12630-00-00	MOTOR ASSEMBLY	1	
21	1UF-12611-00-00	FAN	1	
22	98580-05010-00	SCREW, PAN HEAD	3	
23	92901-05600-00	WASHER, PLATE	3	
24	90480-18276-00	GROMMET	1	
25	90480-18435-00	GROMMET	2	
26	90387-07037-00	COLLAR	1	
27	90387-085G2-00	COLLAR	2	
28	90201-06697-00	WASHER, PLATE	2	
29	97016-06025-00	BOLT	3	

CONTINUED ON NEXT FRAME ➤

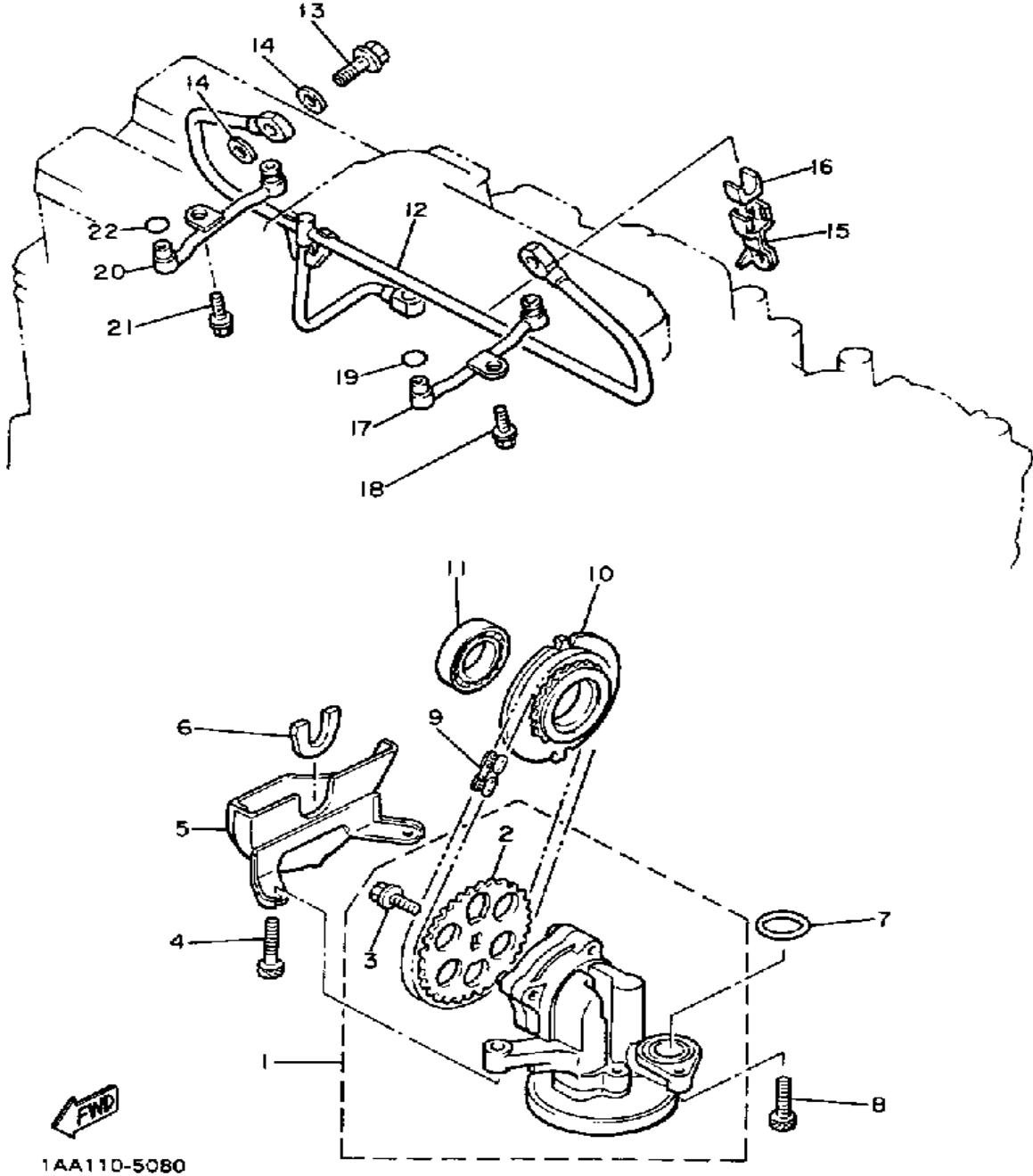
RADIATOR - HOSE



1MY171-6070

Ref. No.	Part Number	Description	Qty	Remarks
30	92906-06100-00	WASHER, SPRING	3	
31	1AA-12467-00-00	COVER, RADIATOR	1	
32	97706-60514-00	SCREW, TAPPING	3	
33	90480-01438-00	GROMMET	2	
34	(1AA-12590-00-00)	CONDUCTION ASSEMBLY ...	1	
35	1AA-12462-00-00	. CAP, RADIATOR	1	
36	95816-06016-00	BOLT, FLANGE	2	
37	1AA-1246E-00-00	COVER 2	1	
38	(1AA-12576-00-00)	HOSE 1	1	
39	(90460-30249-00)	CLAMP, HOSE	2	

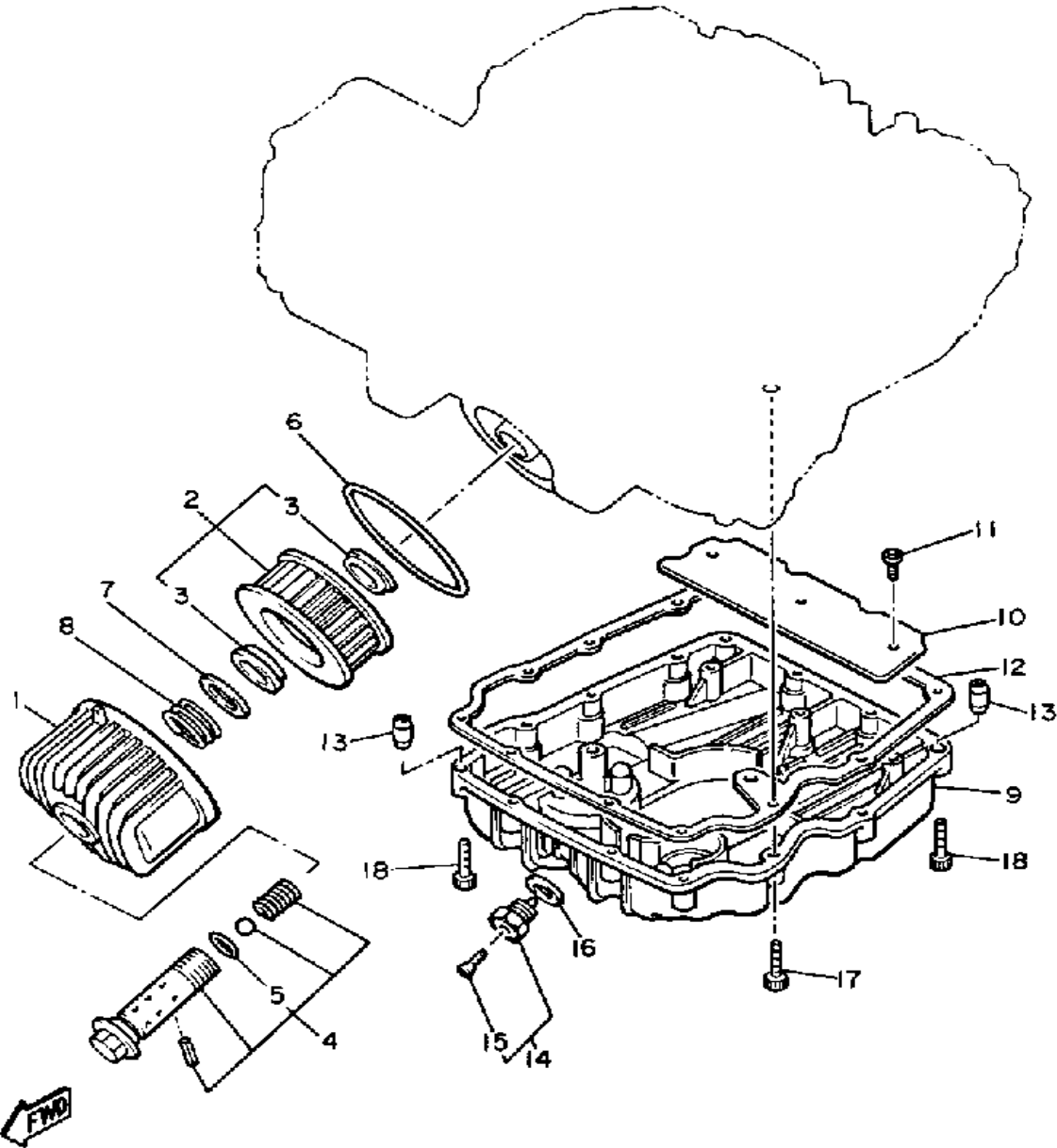
OIL PUMP



Ref. No.	Part Number	Description	Qty	Remarks
1	5G2-13300-00-00	OIL PUMP ASSEMBLY	1	
2	5G2-13355-00-00	. SPROCKET, DRIVEN	1	
3	90105-06154-00	. BOLT, WASHER BASED	1	
4	90110-06035-00	BOLT, HEXAGON SOCKET HEAD	2	
5	4H7-13327-00-00	COVER, PUMP GEAR	1	
6	4H7-13328-00-00	GROMMET, GEAR COVER	1	
7	93210-18319-00	O-RING	1	
8	91316-06025-00	BOLT	1	
9	94580-25062-00	CHAIN	1	
10	4H7-13354-00-00	SPROCKET, DRIVE	1	
11	93315-23208-00	BEARING	1	
12	1AA-13161-00-00	PIPE, DELIVERY 1	1	
13	90401-10096-00	BOLT, UNION	3	
14	90430-10171-00	GASKET	6	
15	(90462-10156-00)	CLAMP	1	
16	(90480-05434-00)	GROMMET	1	
17	(2GH-13181-00-00)	PIPE, DELIVERY 3	1	
18	95026-06012-00	BOLT, FLANGE	1	
19	93210-06632-00	O-RING	2	
20	1AA-13191-00-00	INACTIVE PART NUMBER	1	
21	95026-06012-00	BOLT, FLANGE	1	
22	93210-06632-00	O-RING	2	

1AA110-5080

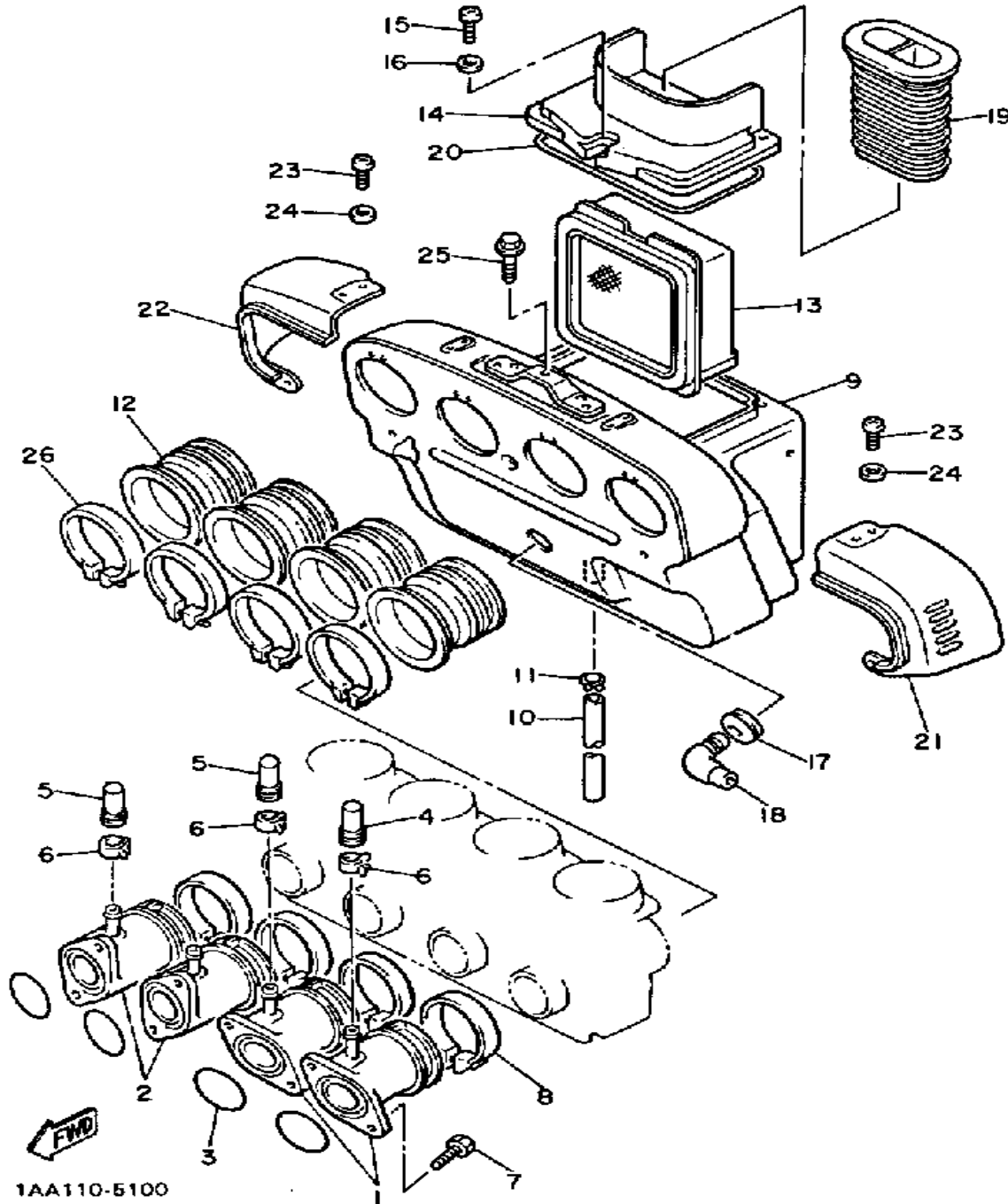
OIL FILTER



42N300-4080

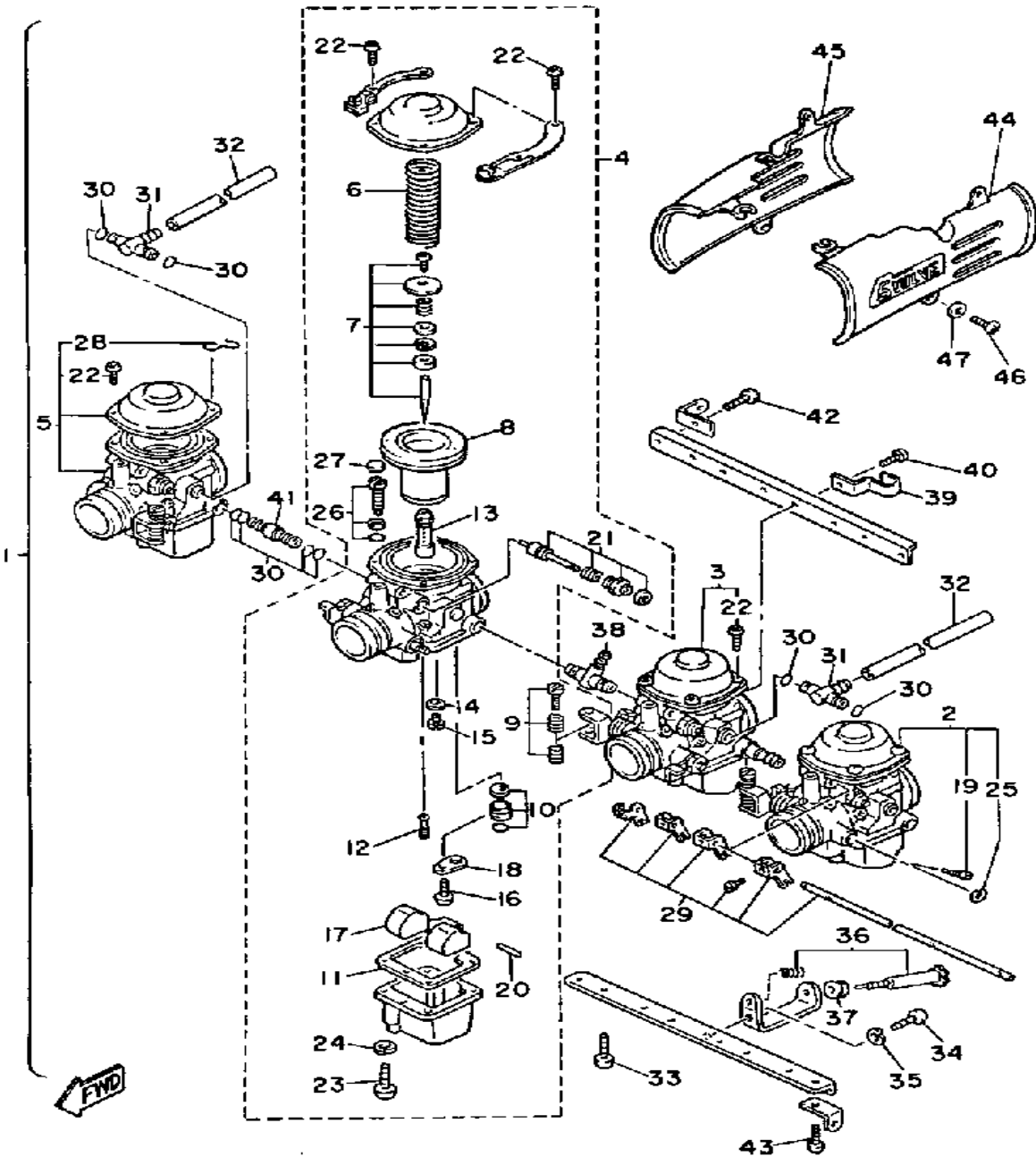
Ref. No.	Part Number	Description	Qty	Remarks
1	4K0-13447-00-00	COVER, OIL ELEMENT	1	
2	1L9-13441-11-00	ELEMENT, OIL CLNR	1	
3	90480-23193-00	. GROMMET	2	
4	1L9-13340-01-00	BY-PASS VALVE ASSEMBLY	1	
5	93210-15325-00	. UNAVAILABLE IN PRICE BOOK	1	
6	93210-87723-00	O-RING	1	
7	90201-21608-00	WASHER, PLATE	1	
8	90501-20422-00	SPRING, COMPRESSION	1	
9	(31A-13417-00-00)	COVER, STRAINER	1	
10	4H7-13337-00-00	PLATE, BAFFLE LOWER	1	
11	98580-06010-00	SCREW, PAN HEAD (92503-06010)	3	
12	4BB-13414-00-00	GASKET, STRNR COVER	1	
13	99510-08016-00	PIN, DOWEL	2	
14	3VD-13455-00-00	PLUG	1	
15	98901-06008-00	. SCREW, BIND	1	
16	214-11198-01-00	GASKET	1	
17	90110-06138-00	BOLT, HEX SKT HEAD	11	
18	91316-06040-00	BOLT, SOCKET HEAD	2	

AIR CLEANER



Ref. No.	Part Number	Description	Qty	Remarks
1	1AA-13586-00-00	JOINT, CARBURETOR 1	2	
2	1AA-13596-00-00	JOINT, CARBURETOR 2	2	
3	93210-37532-00	O-RING	4	
4	16G-13569-00-00	PLUG, BLIND	1	
5	1AA-13569-00-00	PLUG, BLIND	2	
6	90467-10039-00	CLIP	3	
7	91316-06020-00	BOLT, SOCKET HEAD	8	
8	90460-52264-00	CLAMP, HOSE (90460-52210-00)	4	
9	1AA-14401-00-00	AIR CLNR CASE ASSEMBLY	1	
10	90445-11182-00	HOSE	1	
11	90467-09006-00	CLIP	1	
12	1AA-14453-00-00	JOINT, AIR CLEANER 1	4	
13	1AA-14451-00-00	ELEMENT, AIR CLNR	1	
14	1AA-14412-00-00	CAP, CLEANER CASE 1	1	
15	98580-05020-00	SCREW, PAN HEAD	3	
16	92901-05600-00	WASHER, PLATE	3	
17	31A-14435-00-00	GROMMET	1	
18	31A-14419-00-00	PIPE	1	
19	1AA-14437-00-00	DUCT	1	
20	51Y-14462-00-00	SEAL	1	
21	1AA-1441A-00-00	COVER, CLNR CASE 1	1	
22	1AA-1441E-00-00	COVER, CLNR CASE 2	1	
23	97780-50612-00	SCREW, TAPPING	6	
24	92990-05200-00	WASHER, PLAIN	6	
25	90119-06029-00	BOLT, WITH WASHER	2	
26	90460-58015-00	CLAMP, HOSE	4	

CARBURATOR

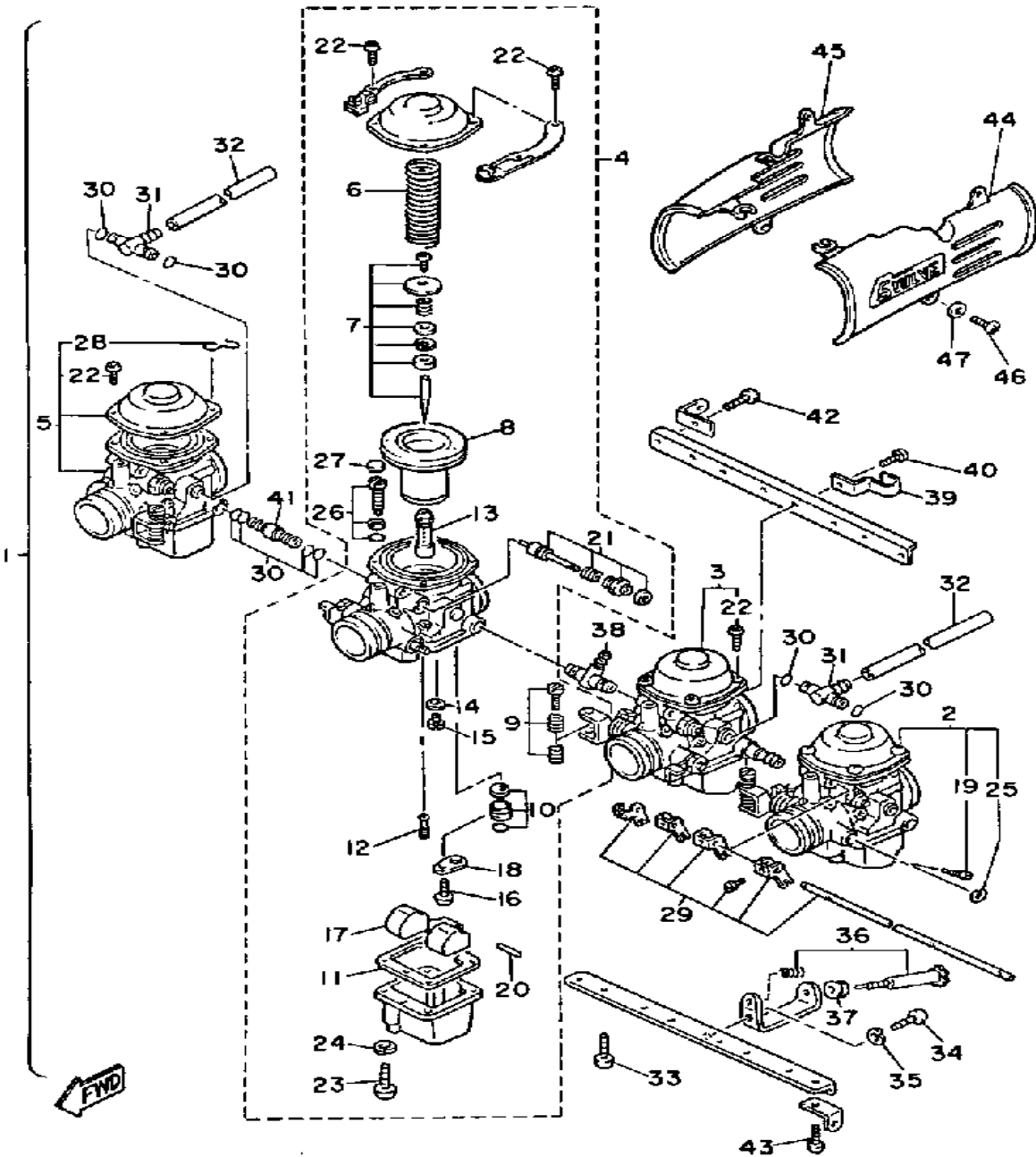


CARBURETOR - Manufacturer / Type / I.D. Number	Mikuni / BS33 / S:1AA-00	SC 1FJ-00
Main Jet / Pilot Jet / Pilot Screw (Turns Out)	105 / 35 / Preset	
Needle Jet / Jet Needle-Clip Position	5FZB2 / Y-2	
Slide Cutaway	ø	
Float Height / Fuel Level (with special tool)	12.5 ± 1.0mm / 3.0 ± 1.0mm	
Idle rpm	1100 rpm ± 50 rpm	
Max CO _e / Max HC _e / Set CO	7% / 2000 ppm / 4.0 ± 0.5% @ 1400 rpm	

Ref. No.	Part Number	Description	Qty	Remarks
1	ø1A-A1490-00-00	UNAVAILABLE IN PRICE BOOK	1	
	ø1F-J1490-00-00	UNAVAILABLE IN PRICE BOOK	1	
2	1FJ-14901-00-00	. CARBURETOR ASSEMBLY 1	1	
3	(1AA-14902-00-00)	CARBURETOR ASSEMBLY 2	1	
	(1FJ-14902-00-00)	CARBURETOR ASSEMBLY 2	1	
4	(1FJ-14903-00-00)	CARBURETOR ASSEMBLY 3	1	
	1AA-14903-00-00	.. CARBURETOR ASSEMBLY 3	1	
5	1FJ-14904-00-00	. CARBURETOR ASSEMBLY 4	1	
6	3F7-14933-00-00	.. SPRING, DIAPHRAGM	4	
7	AA1-490J0-00-0	.. UNAVAILABLE IN PRICE BOOK	4	
8	1AA-14940-00-00	.. DIAPHRAGM ASSEMBLY	4	
9	(31A-1490K-00-00)	STOP SCREW SET	3	
10	25G-14107-23-00	.. NEEDLE VALVE SET	4	
11	3XW-14984-00-00	.. GASKET, FLOAT CHMBR	4	
12	4G0-14142-35-A0	.. JET, PILOT (#35)	4	
13	16H-14941-92-00	.. NOZZLE, MAIN	4	
14	137-14153-00-00	.. WASHER, MAIN JET	4	
15	620-14231-21-A0	.. JET, MAIN (#105)	4	
16	98511-04006-00	.. SCREW, PAN HEAD (98501-04005)	4	
17	12R-14985-00-00	.. FLOAT	4	
18	2H0-14146-00-00	PLATE	4	
19	12R-14191-00-00	.. PLUG, DRAIN	4	
20	537-14186-00-00	.. PIN, FLOAT	4	
21	49A-1410A-00-00	.. STARTER SET	4	
22	98501-05010-00	.. SCREW, PAN HEAD	16	
23	98580-05016-00	.. SCREW, PAN HEAD	16	
24	92990-05100-00	.. WASHER, SPRING	16	

CONTINUED ON NEXT FRAME ➤

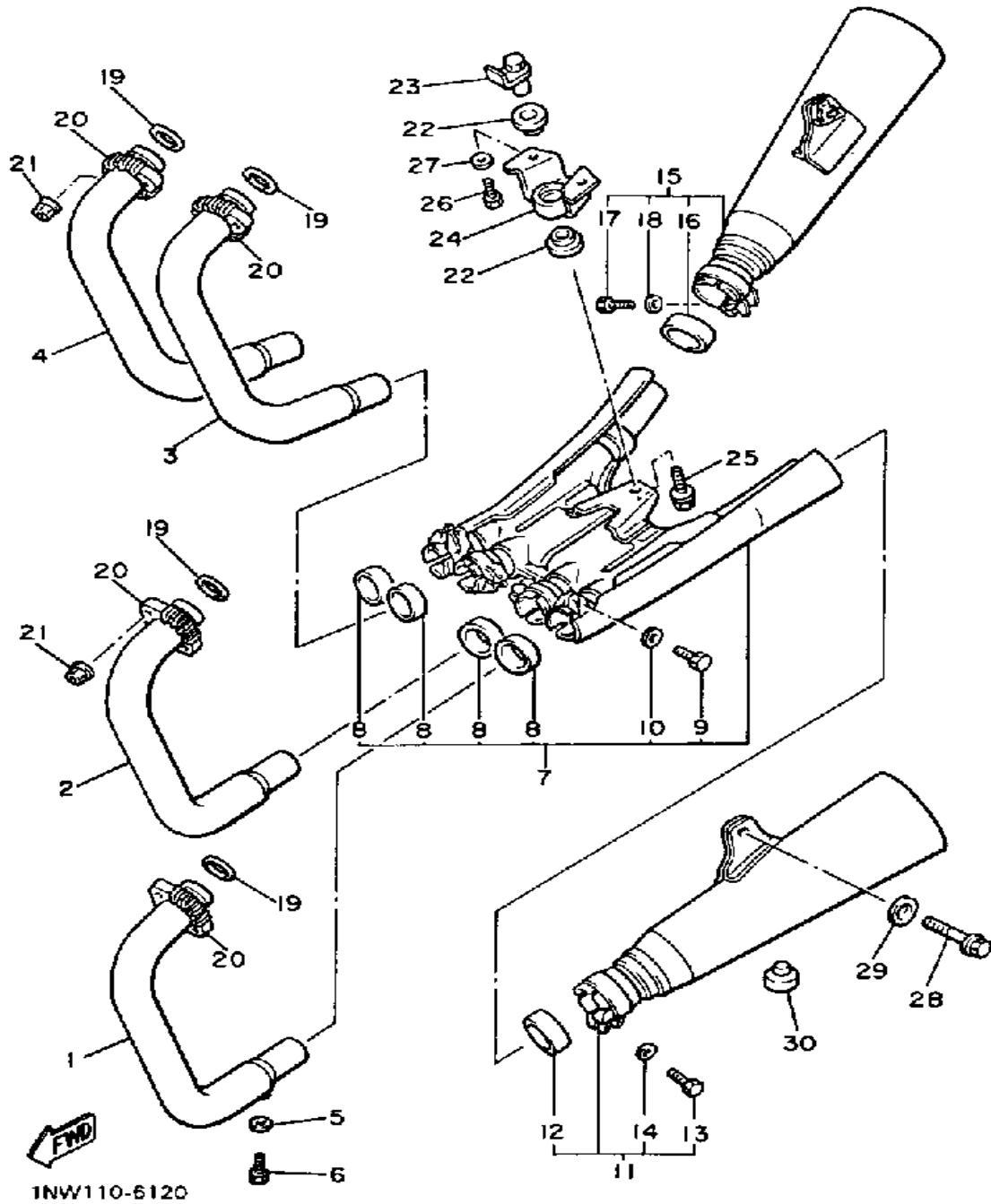
CARBURATOR



Ref. No.	Part Number	Description	Qty	Remarks
25	812-14137-00-00	.. CLIP	2	
26	12R-14105-00-00	.. PILOT SCREW SET	4	
27	3F9-14118-00-00	.. CAP	4	
28	(1AA-14937-00-00)	CLIP	1	
29	(1AA-1490L-00-00)	STARTER LEVER SET	1	
30	822-14147-00-00	. O-RING	8	
31	4V7-14988-00-00	. PIPE, STARTER CON	2	
32	(17A-14987-00-00)	HOSE	2	
33	98503-06014-00	. SCREW, PAN HEAD (92502-06016)	6	
34	98580-05010-00	. SCREW, PAN HEAD	1	
35	92990-05100-00	. WASHER, SPRING	1	
36	(1AA-14103-00-00)	THROTTLE SCREW SET	1	
37	4G0-14998-00-00	. BUSH	1	
38	1J7-14988-00-00	. PIPE, STARTER CON	1	
39	(1AA-14139-00-00)	CLIP, PIPE	1	
40	98580-05010-00	. SCREW, PAN HEAD	6	
41	16H-14988-00-00	. PIPE, STARTER CON	2	
42	98580-05016-00	. SCREW, PAN HEAD	2	
43	98503-06014-00	. SCREW, PAN HEAD (92502-06016)	2	
44	1AA-13564-00-00	COVER, CARB.JOINT	1	
45	1AA-13594-00-00	COVER, MANIFOLD 2	1	
46	98903-05010-00	SCREW, BIND	4	
47	92990-05200-00	WASHER, PLAIN	4	

CARBURETOR - Manufacturer / Type / I.D. Number	Mikuni / BS33 / S:1AA-00	SC 1R-00
Main Jet / Pilot Jet / Pilot Screw (Turns Out)	105 / 35 / Preset	
Needle Jet / Jet Needle-Clip Position	5FZB2 / Y-2	
Slide Cutaway	ø	
Float Height / Fuel Level (with special tool)	12.5 ± 4.0mm / 3.0 ± 4.0mm	
Idle rpm	1100 rpm ± 50 rpm	
Max CO _e / Max HC _e / Set CO	7% / 2000 ppm / 4.0 ± 0.5% @ 1400 rpm	

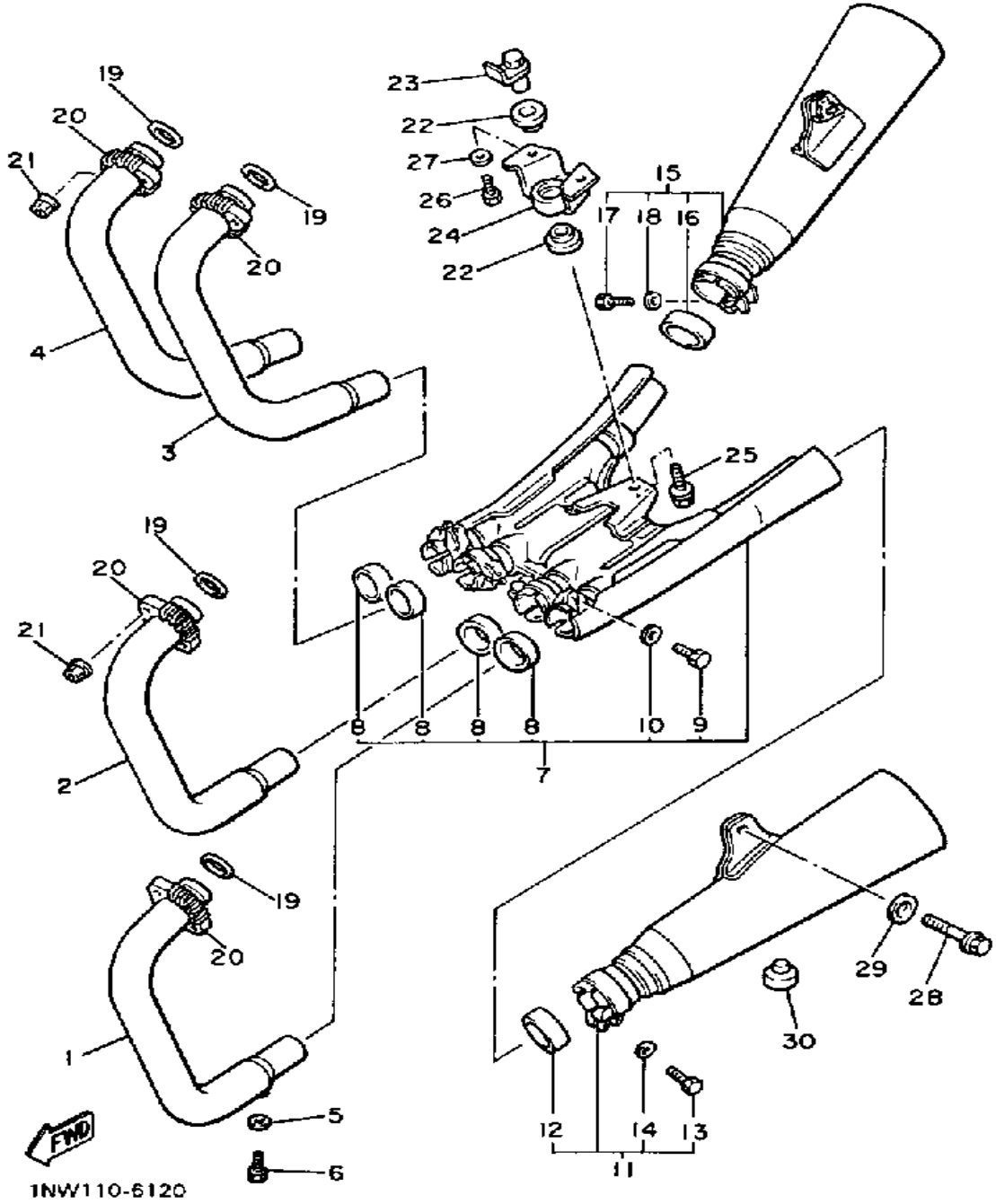
EXHAUST



Ref. No.	Part Number	Description	Qty	Remarks
1	1AA-14611-01-00	PIPE, EXHAUST L	1	
2	1AA-14621-01-00	PIPE, EXHAUST R	1	
3	1AA-14631-01-00	PIPE, EXHAUST 3	1	
4	1AA-14641-01-00	PIPE, EXHAUST 4	1	
5	92990-06600-00	WASHER, PLATE	4	
6	90101-06576-00	BOLT	4	
7	1NW-14610-00-00	EXHAUST PIPE ASSEMBLY L	1	
8	1JK-14714-00-00	. GASKET, MUFFLER	4	
9	97016-08025-00	. BOLT	4	
10	92906-08600-00	. WASHER	4	
11	1NW-14710-00-00	MUFFLER ASSEMBLY L	1	
12	31A-14714-00-00	. GASKET, MUFFLER	1	
13	97013-08025-00	. BOLT	1	
14	92901-08600-00	. WASHER	1	
15	1NW-14720-00-00	MUFFLER ASSEMBLY R	1	
16	31A-14714-00-00	. GASKET, MUFFLER	1	
17	97013-08025-00	. BOLT	1	
18	92901-08600-00	. WASHER	1	
19	4H7-14613-00-00	GASKET, EXST PIPE	4	
20	31A-14612-00-00	NUT, RING	4	
21	90179-06499-00	NUT	8	
22	36Y-14747-00-00	DAMPER, MUFFLER	2	
23	1AE-14638-00-00	COLLAR	1	
24	(1AA-14791-01-00)	STAY, MUFFLER	1	
25	95811-10040-00	BOLT, FLANGE (95801-10040)	1	
26	97013-08025-00	BOLT	2	
27	92901-08600-00	WASHER	2	
28	90105-08284-00	BOLT, WASHER BASED	2	
29	90209-08249-00	WASHER	2	

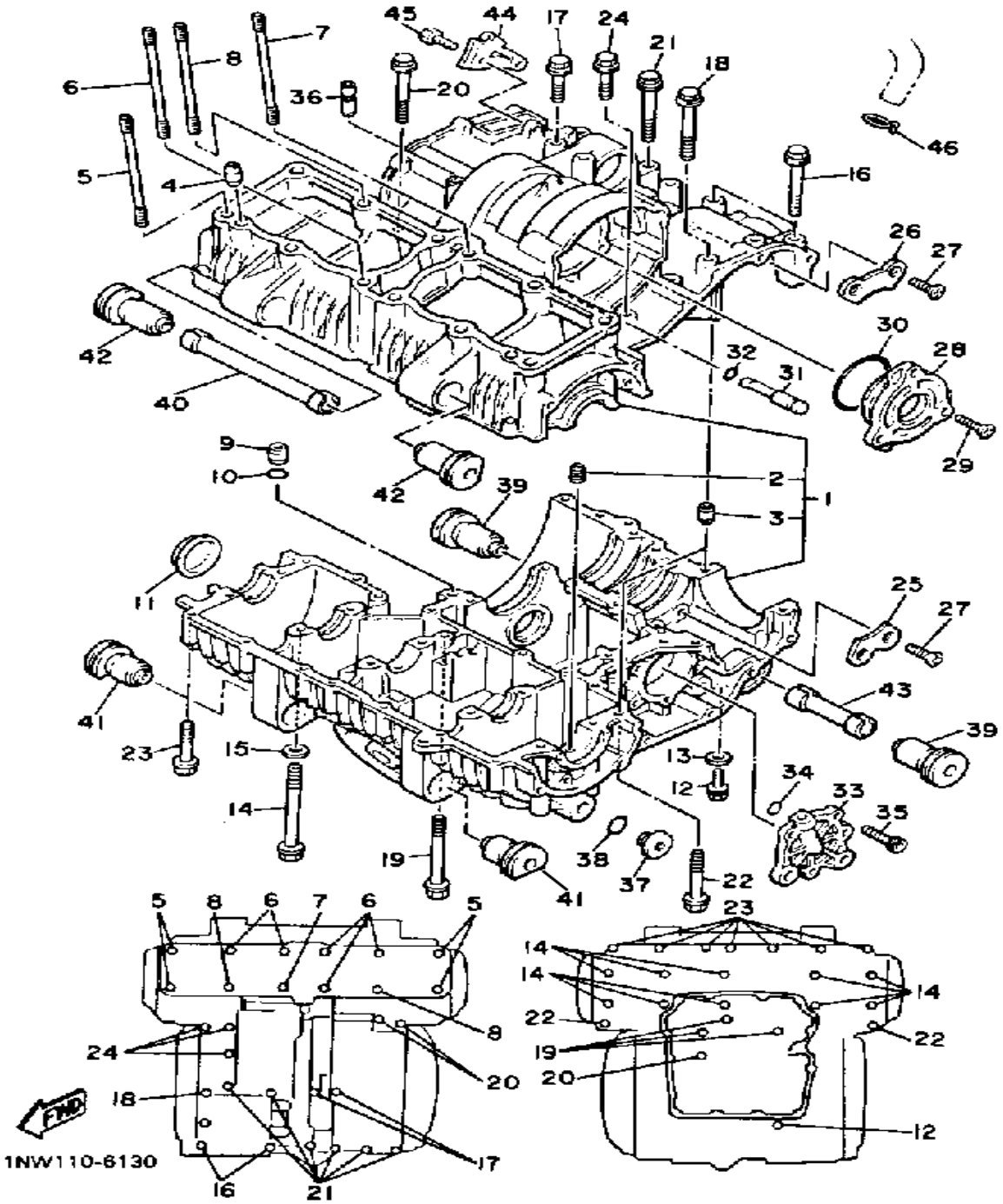
CONTINUED ON NEXT FRAME ►

EXHAUST



Ref. No.	Part Number	Description	Qty	Remarks
30	1A0-27114-00-00	STOPPER, MAIN STAND 1	

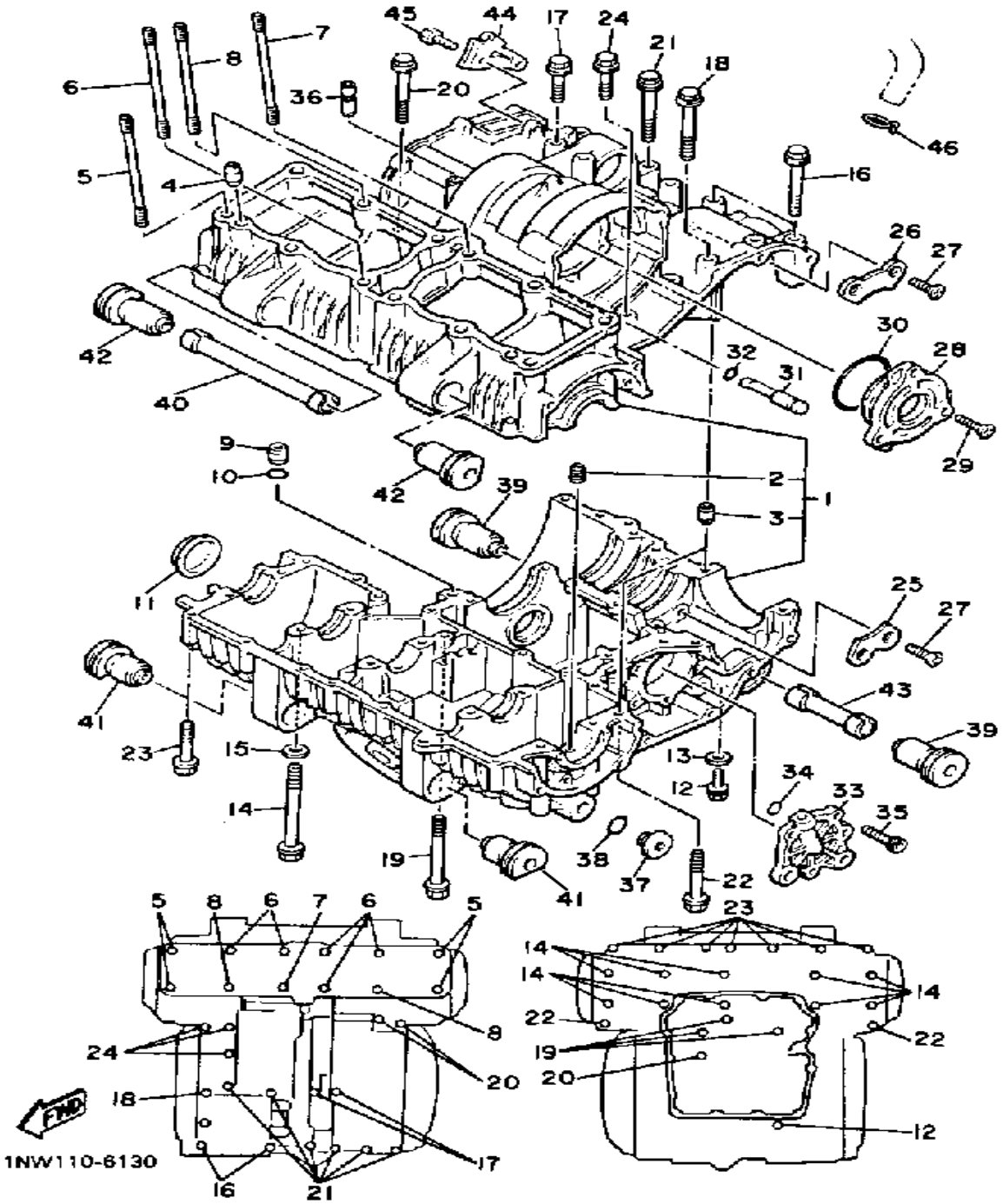
CRANKCASE



Ref. No.	Part Number	Description	Qty	Remarks
1	1AA-15100-00-00	CRANKCASE ASSEMBLY	1	
2	4H7-15138-00-00	. NOZZLE 1	3	
3	99510-12016-00	. PIN, DOWEL	3	
4	99530-10014-00	PIN, DOWEL	2	
5	90116-09458-00	BOLT, STUD	4	
6	90116-09459-00	BOLT, STUD	5	
7	90116-09460-00	BOLT, STUD	1	
8	(90116-09461-00)	BOLT, STUD	2	
9	99510-12016-00	PIN, DOWEL	1	
10	93210-11124-00	O-RING (1.6-10.6)	1	
11	4H7-15167-10-00	PLUG, BLIND 1	1	
12	90105-08003-00	BOLT, WASHER BASED (834-6777-00)	1	
13	90201-08087-00	WASHER, PLATE	1	
14	95811-08105-00	BOLT, FLANGE (95812-08105)	10	
15	90201-094G1-00	WASHER, PLATE	8	
16	95811-08065-00	BOLT, FLANGE	2	
17	95811-06135-00	BOLT, FLANGE	2	
18	(95816-06120-00)	BOLT, FLANGE	1	
19	95811-06080-00	BOLT, FLANGE	3	
20	95811-06070-00	BOLT, FLANGE	3	
21	95811-06060-00	BOLT, FLANGE	6	
22	95811-06055-00	BOLT, FLANGE (95802-06055)	2	
23	95811-08045-00	BOLT, FLANGE (JN5)	7	
24	95811-06035-00	BOLT, FLANGE	3	
25	(31A-15381-00-00)	PLATE, BRNG COVER	1	
26	31A-15383-00-00	PLATE, BRNG COVER	1	
27	90149-08152-00	SCREW	4	
28	4H7-15163-01-00	HOUSING, BEARING 1	1	

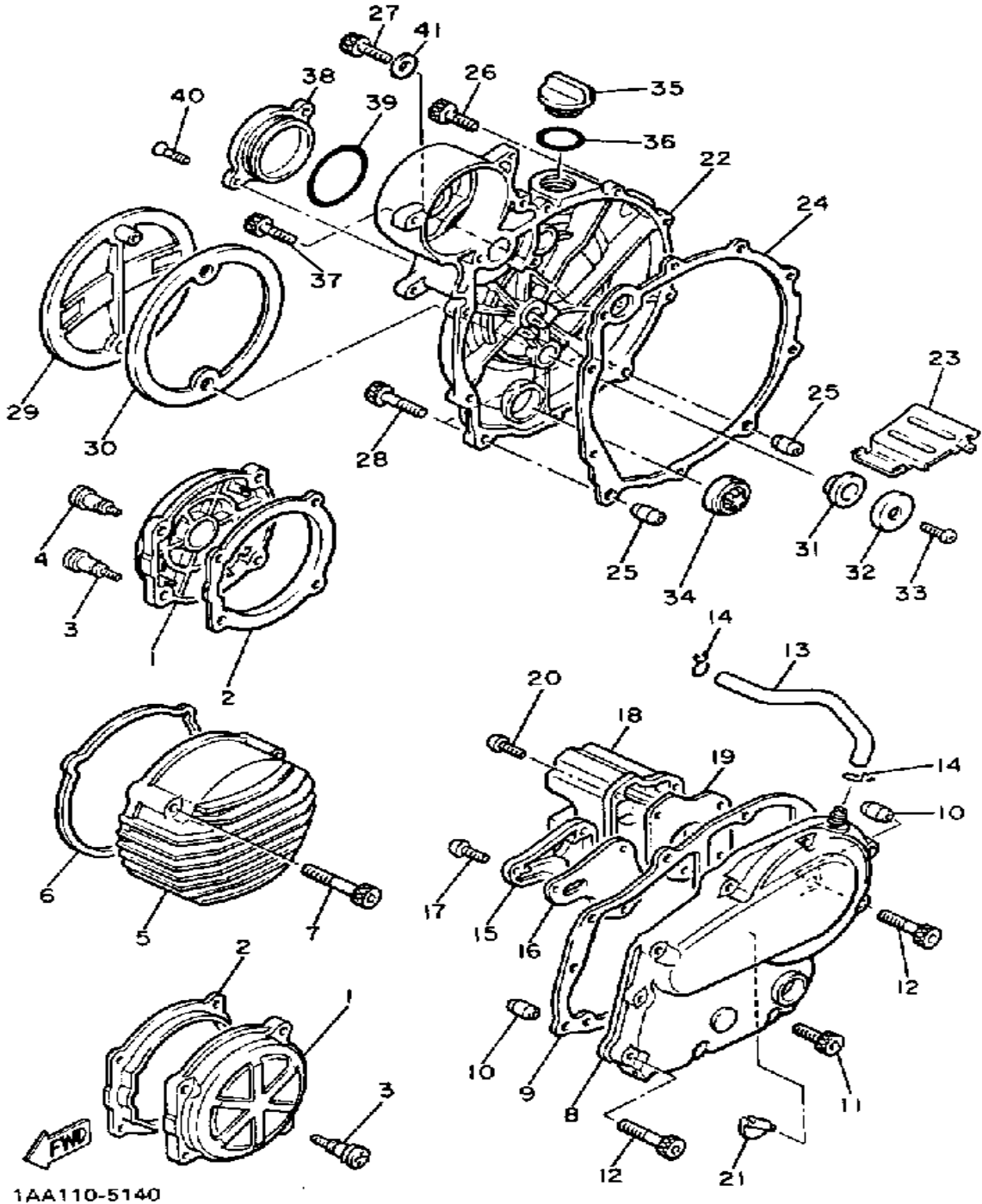
CONTINUED ON NEXT FRAME ►

CRANKCASE



Ref. No.	Part Number	Description	Qty	Remarks
29	90151-06014-00	SCREW, COUNTERSUNK	3	
30	93210-62439-00	O-RING	1	
31	4H7-13454-00-00	NOZZLE	1	
32	93210-07540-00	O-RING	1	
33	16G-15164-00-00	HOUSING, BEARING 2	1	
34	93210-07438-00	O-RING	1	
35	91311-06020-00	BOLT, SOCKET HEAD	3	
36	(1AA-15112-00-00)	PIPE, OIL	1	
37	4H7-15189-00-00	PLUG	2	
38	93210-20573-00	O-RING	2	
39	1AA-15336-00-00	DAMPER, ENGINE MOUNT 3	2	
40	4H7-15317-00-00	SPACER, ENG MOUNT (4W5-15317-00)	1	
41	1AA-15316-01-00	DAMPER, ENG MOUNT 1	2	
42	1AA-15326-00-00	DAMPER, ENGINE MOUNT 2	2	
43	4H7-15327-00-00	SPACER, ENG MOUNT (4W5-15327-00)	1	
44	(1AA-15441-00-00)	HOLDER, CLCH CABLE	1	
45	91316-06012-00	BOLT, SOCKET HEAD	2	
46	90465-10290-00	CLAMP	1	

CRANKCASE COVER

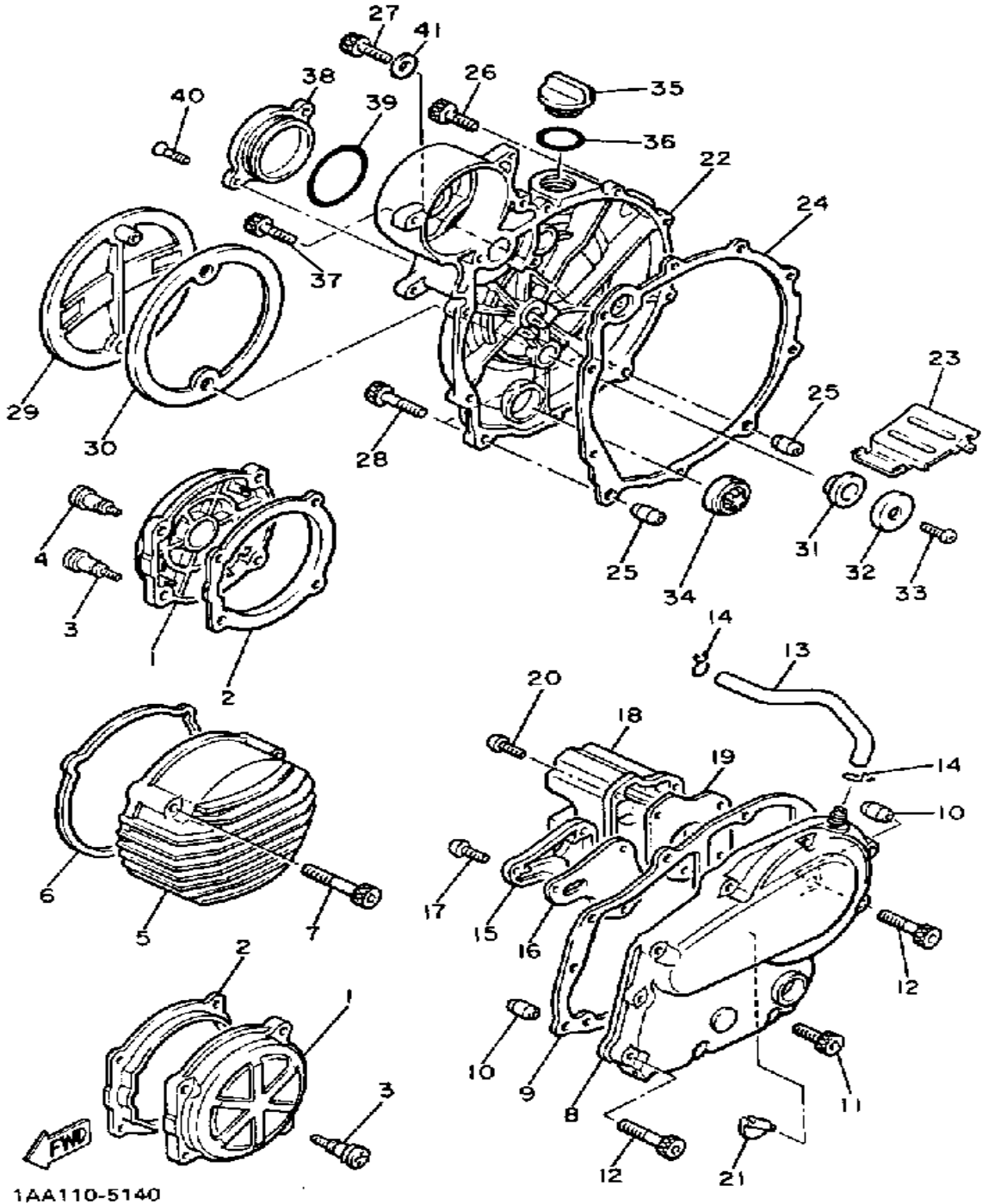


1AA110-5140

Ref. No.	Part Number	Description	Qty	Remarks
1	1NW-15416-00-00	COVER, OIL PUMP	2	
2	33M-15449-00-00	RING, RUBBER	2	
3	33M-15481-10-00	BOLT 1	7	
4	1NW-15481-00-00	BOLT 1	1	
5	1AA-15415-00-00	COVER, GENERATOR	1	
6	22N-15455-00-00	GASKET 1	1	
7	91316-06070-00	BOLT, SOCKET HEAD	3	
8	1AA-15409-00-00	CRANKCASE CVR ASSEMBLY	1	
9	4BB-15451-00-00	GASKET, CRCS CVR.	1	
10	99530-10014-00	PIN, DOWEL	2	
11	91316-06025-00	BOLT	8	
12	91316-06040-00	BOLT, SOCKET HEAD	2	
13	1AA-11166-00-00	PIPE, BREATHER 1	1	
14	90467-14015-00	CLIP	2	
15	(4H7-15346-00-00)	BREATHER 1	1	
16	4BB-15457-00-00	GASKET	1	
17	98503-06014-00	SCREW, PAN HEAD (92502-06016)	3	
18	4H7-15347-00-00	BREATHER 2	1	
19	4BB-15467-00-00	GASKET	1	
20	98503-06014-00	SCREW, PAN HEAD (92502-06016)	4	
21	4H7-15365-00-00	GROMMET	1	
22	1AA-15421-00-00	COVER, CRANKCASE R	1	
23	4H7-15412-01-00	COVER, OIL PUMP	1	
24	1AA-15461-00-00	GASKET, CRCS CVR 2	1	
25	99530-10014-00	PIN, DOWEL	2	
26	91316-06025-00	BOLT	7	
27	97011-06025-00	BOLT (97001-06025)	1	

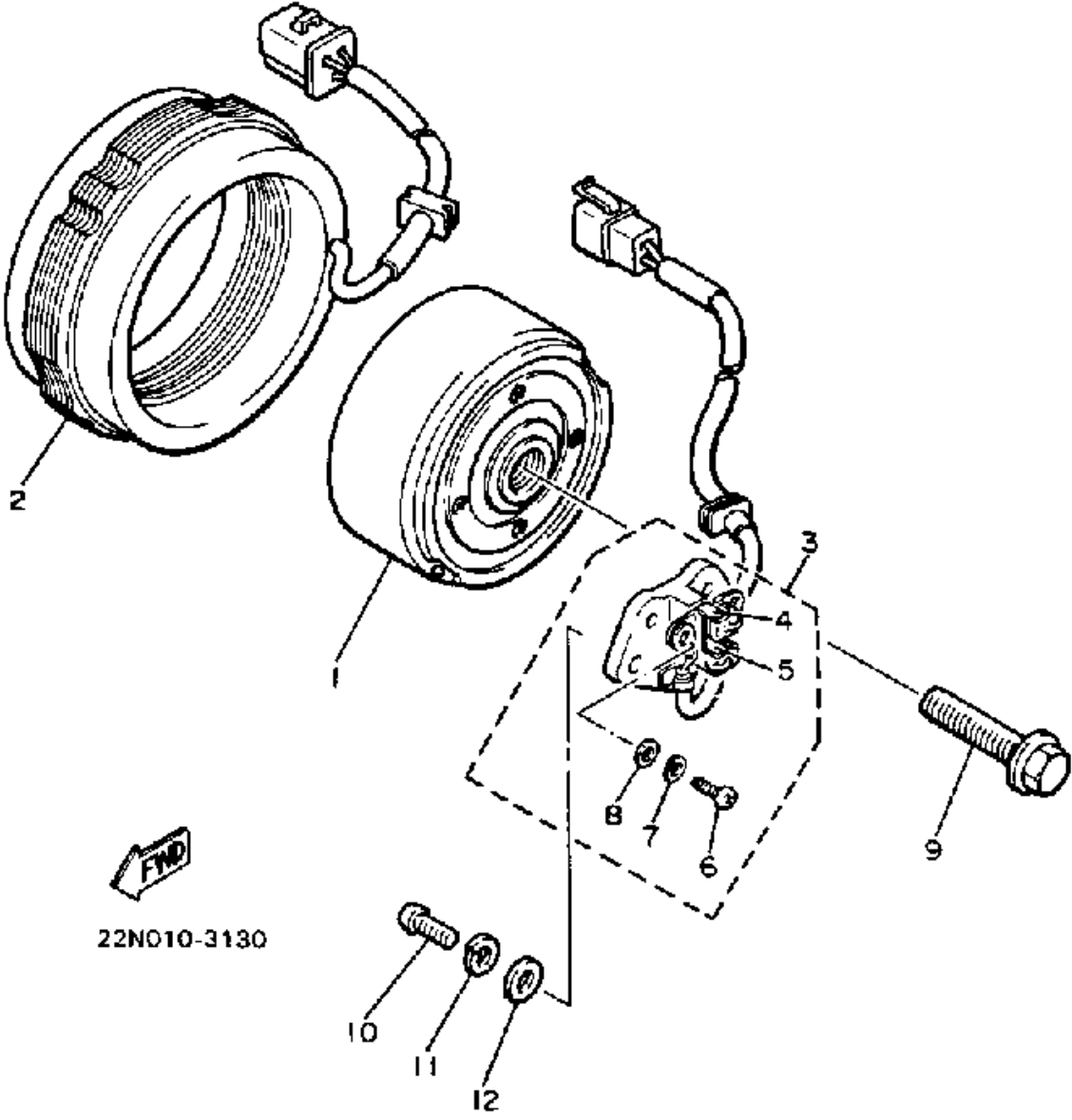
CONTINUED ON NEXT FRAME ►

CRANKCASE COVER



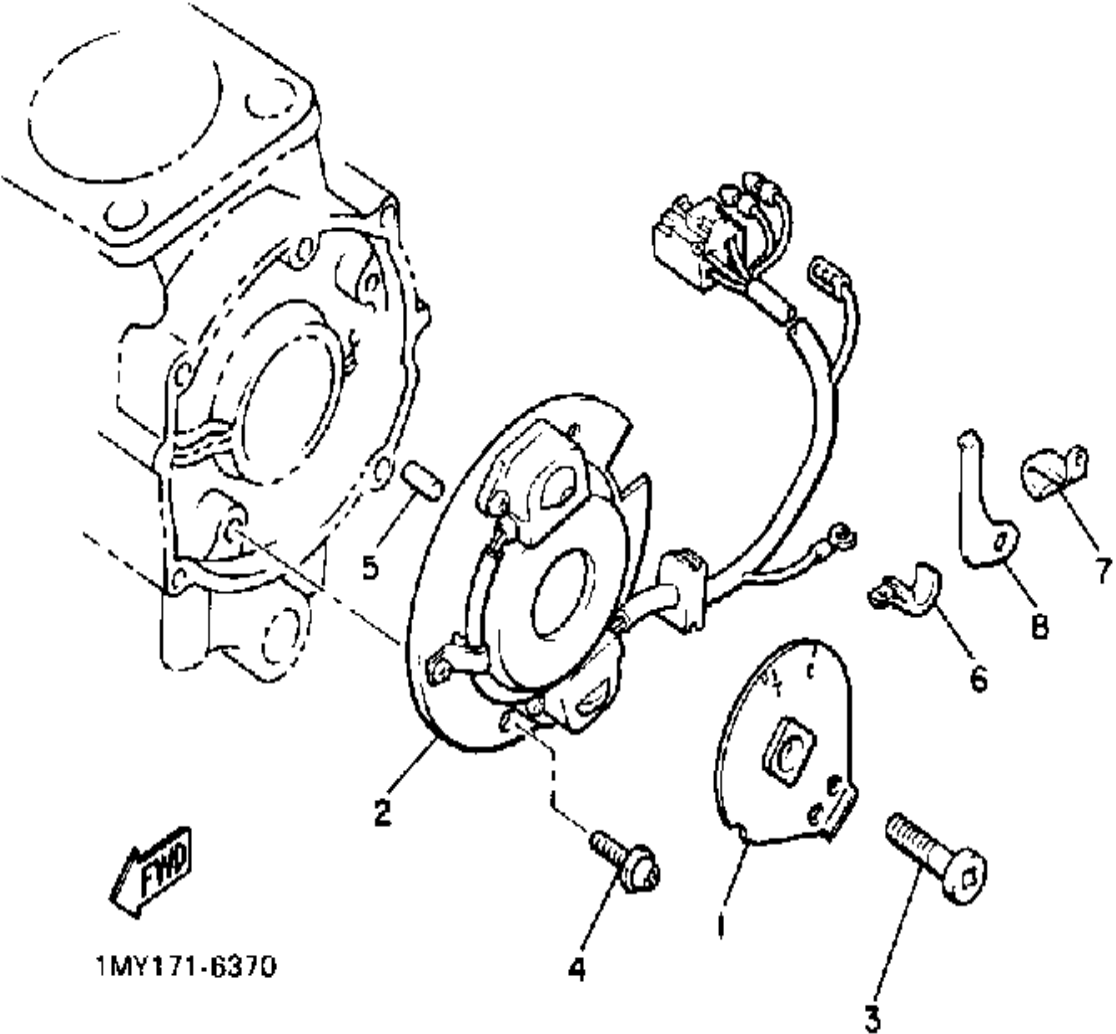
Ref. No.	Part Number	Description	Qty	Remarks
28	91316-06040-00	BOLT, SOCKET HEAD	2	
29	1AA-15417-00-00	COVER, CAP	1	
30	4H7-15449-00-00	RING, RUBBER	1	
31	4H7-15486-00-00	GROMMET	2	
32	90209-06096-00	WASHER	2	
33	98503-06014-00	SCREW, PAN HEAD (92502-06016)	2	
34	2H7-15361-00-00	GAUGE, LEVEL	1	
35	2H9-15363-00-00	PLUG, OIL	1	
36	93210-27778-00	O-RING	1	
37	91316-06040-00	BOLT, SOCKET HEAD	3	
38	1AA-15427-00-00	COVER, CAP 2	1	
39	93210-56459-00	O-RING	1	
40	98706-06018-00	SCREW, FLAT HEAD	2	
41	(90201-066J8-00)	WASHER, PLATE	1	

GENERATOR



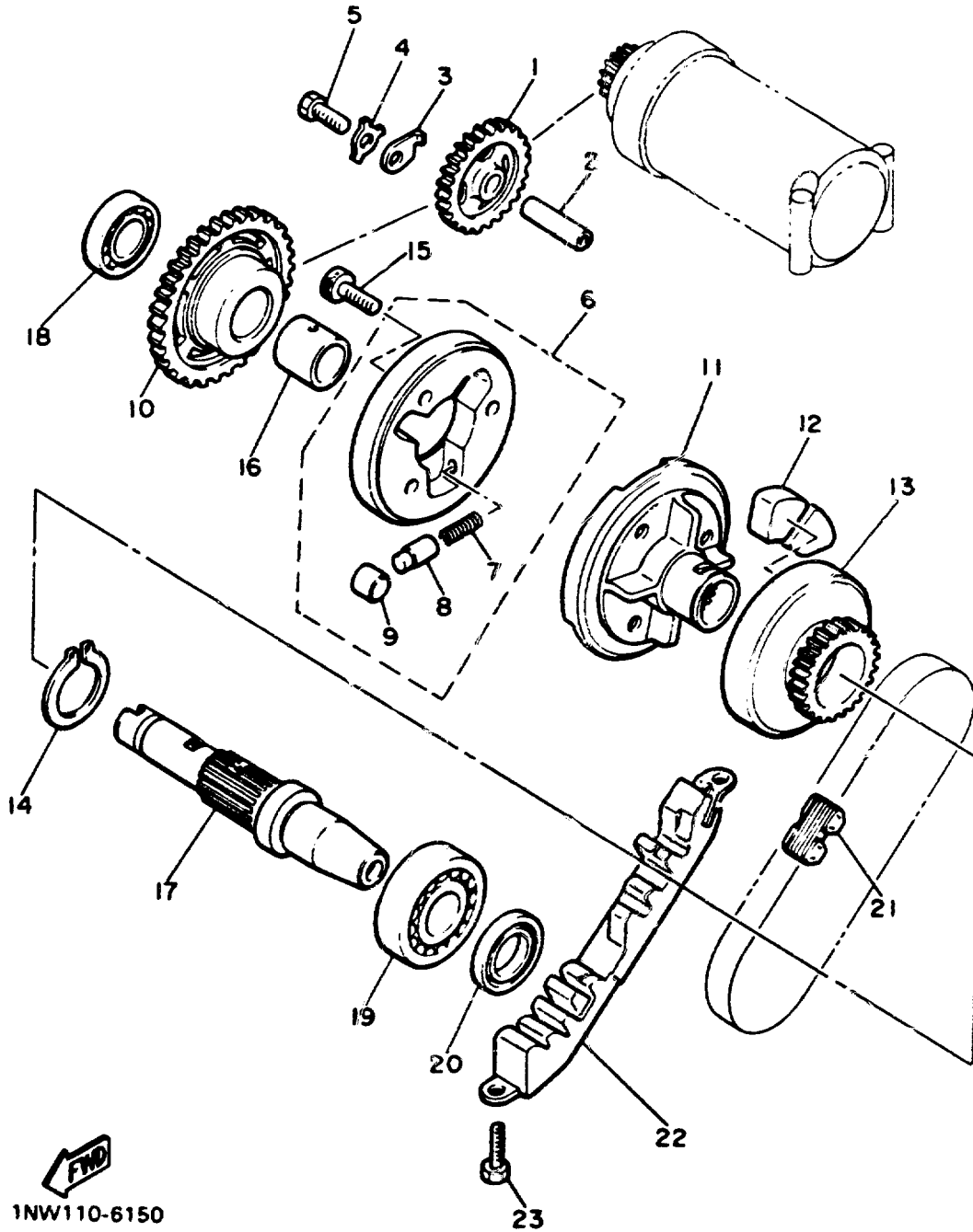
Ref. No.	Part Number	Description	Qty	Remarks
1	22N-81650-10-00	ROTOR ASSEMBLY	1	
2	22N-81610-10-00	STATOR ASSEMBLY	1	
3	(22N-81619-10-00)	BRUSH HOLDER ASSEMBLY .	1	
4	46X-81611-10-00	. BRUSH 1	1	
5	4G0-81612-10-00	. BRUSH 2	1	
6	98511-04012-00	. SCREW, PAN HEAD	2	
7	92901-04600-00	. WASHER, PLATE	2	
8	92901-04600-00	. WASHER, PLATE	2	
9	90105-10152-00	BOLT, WASHER BASED	1	
10	98503-06014-00	SCREW, PAN HEAD (92502-06016)	2	
11	92995-06100-00	WASHER, SPRING	2	
12	92990-06600-00	WASHER, PLATE	2	

PICKUP COIL - GOVERNOR



Ref. No.	Part Number	Description	Qty	Remarks
1	1NW-81673-11-00	ROTOR	1	
2	1AA-81671-10-00	BASE, PICKUP	1	
3	91316-08030-00	BOLT, SOCKET HEAD	1	
4	90159-06107-00	SCREW, WITH WASHER	2	
5	93604-08071-00	PIN, DOWEL	1	
6	90465-08277-00	CLAMP	1	
7	90465-08156-00	CLAMP	1	
8	90465-12160-00	CLAMP	1	

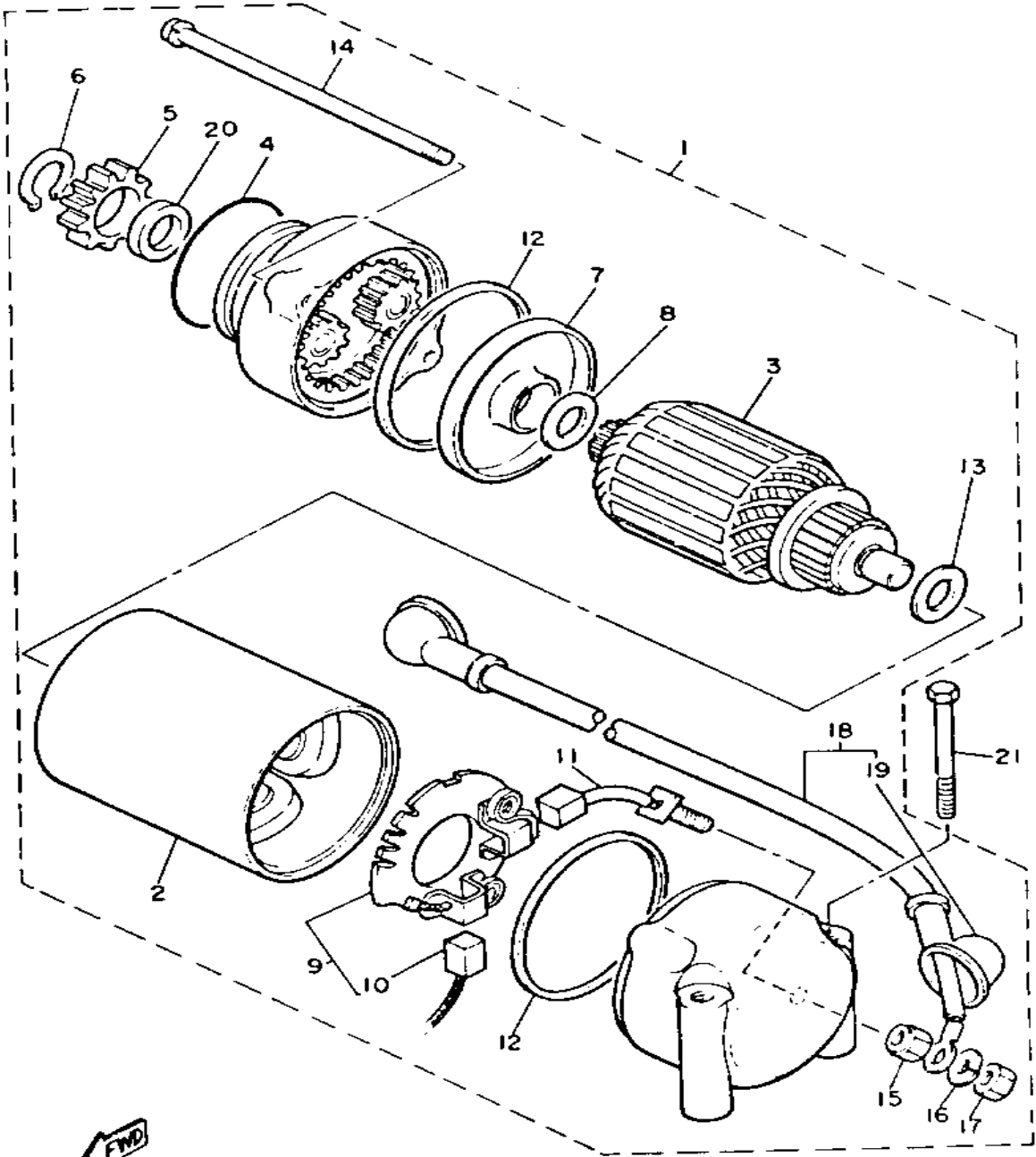
STARTER



1NW110-6150

Ref. No.	Part Number	Description	Qty	Remarks
1	4H7-15512-00-00	GEAR, IDLER 1	1	
2	4H7-15521-00-00	SHAFT 1	1	
3	2H7-15531-00-00	PLATE, STOPPER	1	
4	90215-06040-00	WASHER, LOCK	1	
5	97313-06016-00	BOLT, HEXAGON	1	
6	31A-15580-00-00	STR CLUTCH OTR ASSEMBLY OUTER ASSEMBLY	1	
7	90501-04503-00	. SPRING, COMPRESSION	3	
8	341-15583-05-00	. CAP, STR CLUTCH SPR -CLUTCH SPRING	3	
9	93615-12088-00	. PIN, DOWEL	3	
10	4H7-15517-00-00	GEAR, IDLER 2	1	
11	4H7-15524-00-00	WHEEL, STARTER	1	
12	4H7-16155-01-00	ABSORBER 1	4	
13	4H7-15519-00-00	SPROCKET, STARTER 2	1	
14	93410-32052-00	CIRCLIP	1	
15	91316-08014-00	BOLT	3	
16	90387-202A7-00	COLLAR	1	
17	(1AA-15522-00-00)	SHAFT 2	1	
18	93306-00426-00	BEARING	1	
19	93306-20541-00	BEARING (B6205)	1	
20	93102-25218-00	OIL SEAL, SD-TYPE	1	
21	4H7-11456-00-00	CHAIN, PRIMARY	1	
22	4H7-11474-01-00	GUIDE, UPPER	1	
23	97301-06014-00	BOLT, HEXAGON	2	

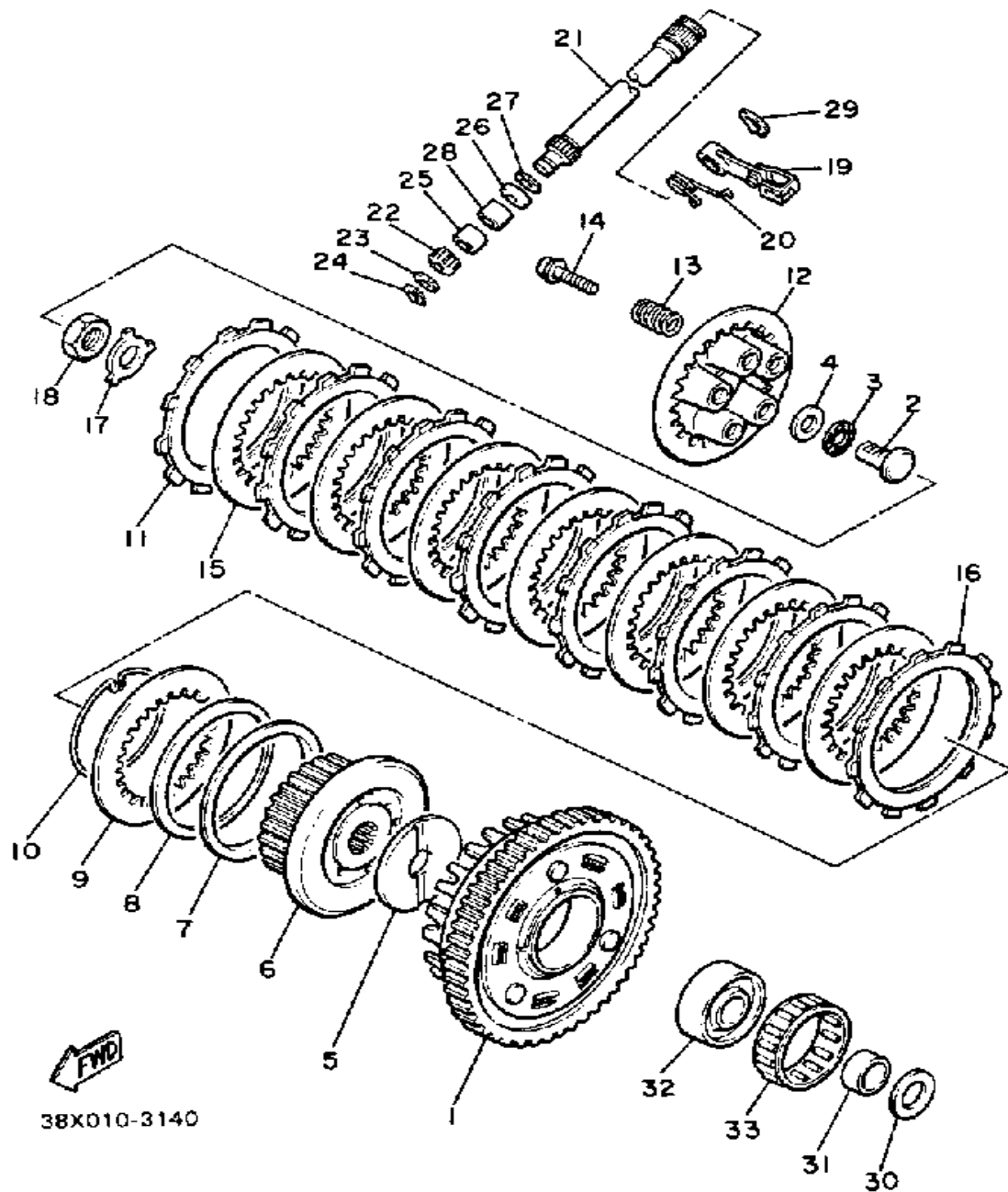
STARTING MOTOR



Ref. No.	Part Number	Description	Qty	Remarks
1	4K0-81800-50-00	STARTING MOTOR ASSEMBLY	1	
2	(4K0-81810-01-00)	STATOR ASSEMBLY	1	
3	4H7-81850-00-00	. ARMATURE ASSEMBLY	1	
4	4H7-81847-01-00	. O-RING	1	
5	4H7-15511-01-00	. GEAR, STARTING MTR	1	
6	4H7-81819-00-00	. CIRCLIP	1	
7	(4H7-81845-00-00)	PLATE	1	
8	4H7-81843-50-00	. WASHER 1	1	
9	4H7-81840-01-00	. BRUSH HOLDER ASSEMBLY	1	
10	4H7-81811-00-00	. BRUSH 1	1	
11	4H7-81812-01-00	. BRUSH 2	1	
12	4H7-81844-00-00	. O-RING (4H7-81844-50-00)	2	
13	(4H7-81824-00-00)	WASHER 2	1	
14	(4K0-81826-01-00)	BOLT	2	
15	4H7-81872-00-00	. NUT, SPECIAL	1	
16	92995-06100-00	. WASHER, SPRING	1	
17	95380-06600-00	. NUT	1	
18	4H7-81815-00-00	. WIRE, STARTER	1	
19	(4H7-81871-00-00)	CAP	1	
20	(4H7-81834-00-00)	COLLAR	1	
21	95806-06060-00	BOLT, FLANGE	1	

FWD
1NW110-6380

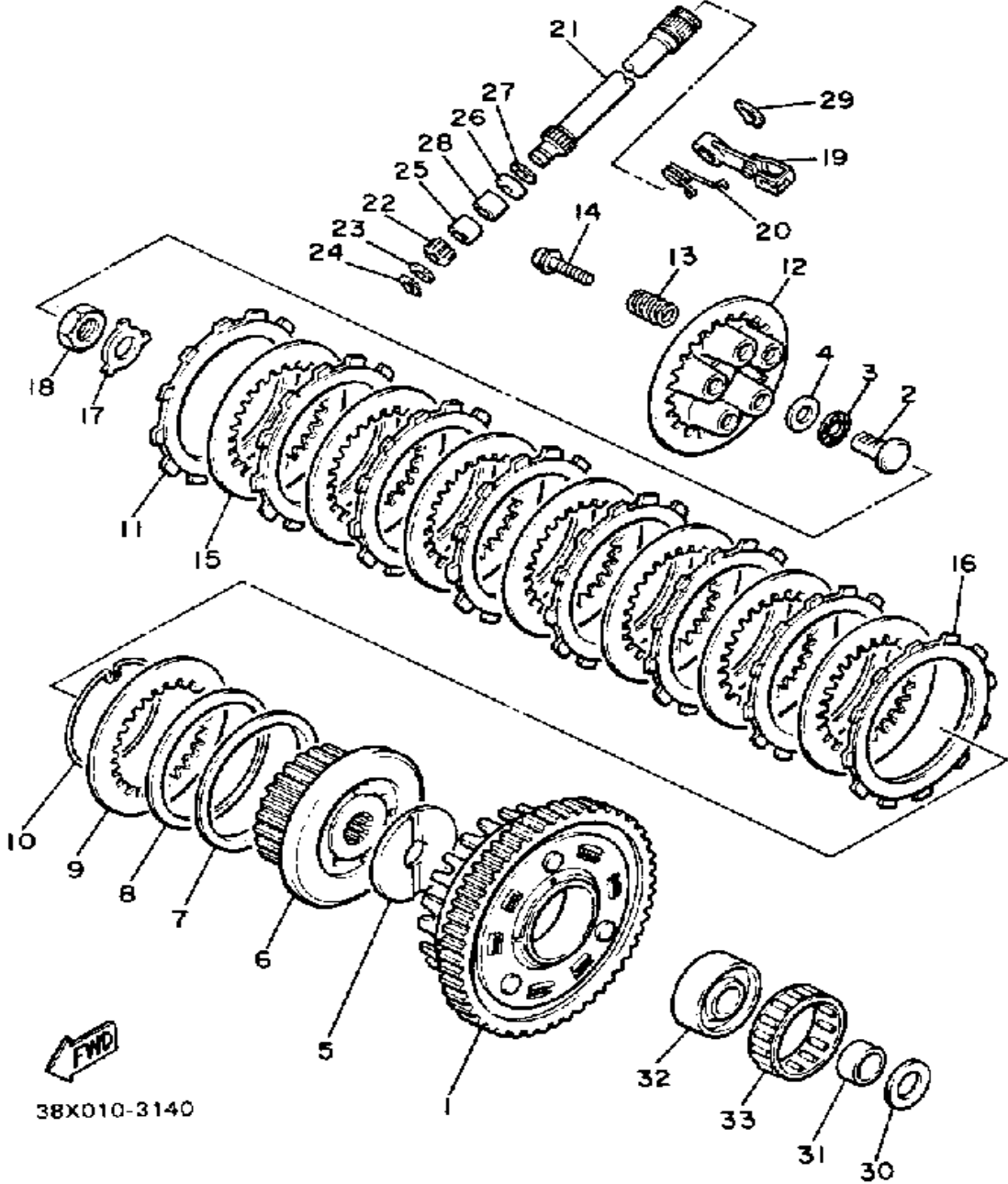
CLUTCH



Ref. No.	Part Number	Description	Qty	Remarks
1	31A-16150-00-00	PRI DRVN GEAR	1	
2	4H7-16456-00-00	UNAVAILABLE IN PRICE BOOK	1	
3	93340-21505-00	BEARING	1	
4	90201-154E9-00	WASHER, PLATE	1	
5	4H7-16154-00-00	PLATE, THRUST 1	1	
6	58L-16371-01-00	BOSS, CLUTCH	1	
7	1J7-16384-00-00	PLATE, SEAT	1	
8	5G2-16383-00-00	SPRING, CLUTCH BOSS	1	
9	168-16324-00-00	PLATE, CLUTCH 1	1	
10	1J7-16385-00-00	RING, CLUTCH BOSS	1	
11	4H7-16321-01-00	PLATE, FRICTION	7	
12	58L-16351-00-00	PLATE, PRESSURE 1	1	
13	90501-227A2-00	SPRING, COMPRESSION	5	
14	90159-06092-00	SCREW, WITH WASHER	5	
15	31A-16325-00-00	PLATE, CLUTCH 2	7	
16	31A-16321-00-00	PLATE, FRICTION	1	
17	90215-20231-00	WASHER, LOCK	1	
18	90170-20327-00	NUT	1	
19	4H7-16340-00-00	PUSH LEVER ASSEMBLY	1	
20	90508-16459-00	SPRING, TORSION	1	
21	4H7-16382-01-00	AXLE, PUSH LEVER	1	
22	4H7-16398-00-00	PINION, RELEAS (16T)	1	
23	92901-08600-00	WASHER	1	
24	99080-07600-00	CIRCLIP (E)	1	
25	93317-11020-00	BEARING	1	
26	93102-12224-00	OIL SEAL	1	
27	90201-12M34-00	WASHER, PLATE	1	
28	93315-11206-00	BEARING	1	
29	99001-09600-00	CIRCLIP	1	

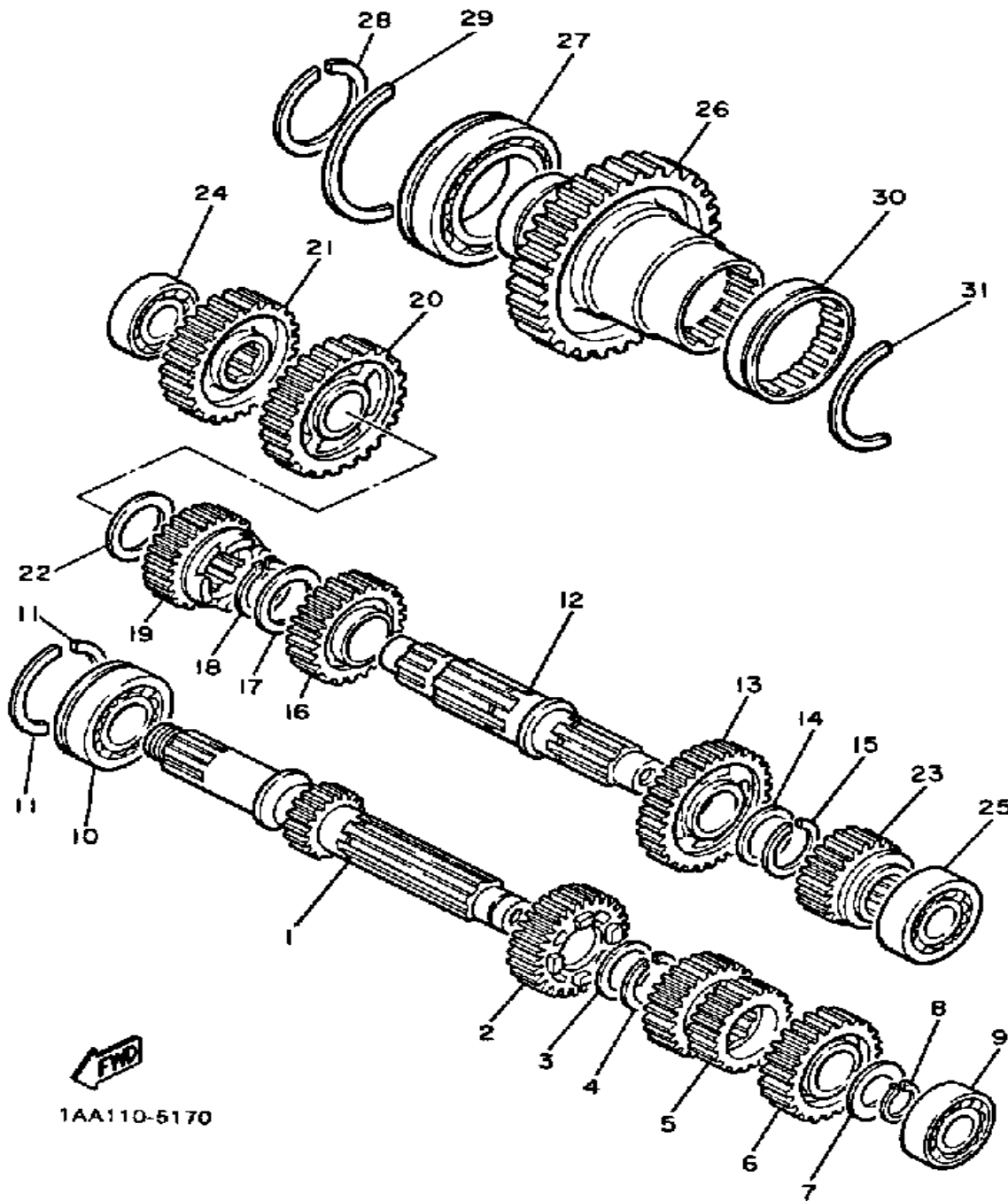
CONTINUED ON NEXT FRAME ►

CLUTCH



Ref. No.	Part Number	Description	Qty	Remarks
30	2K7-16154-00-00	PLATE, THRUST 1	1	
31	90387-252A8-00	COLLAR	1	
32	4H7-16181-00-00	SPACER 1	1	
33	93310-365H3-00	BEARING, CYLINDER.# 0	1	

TRANSMISSION

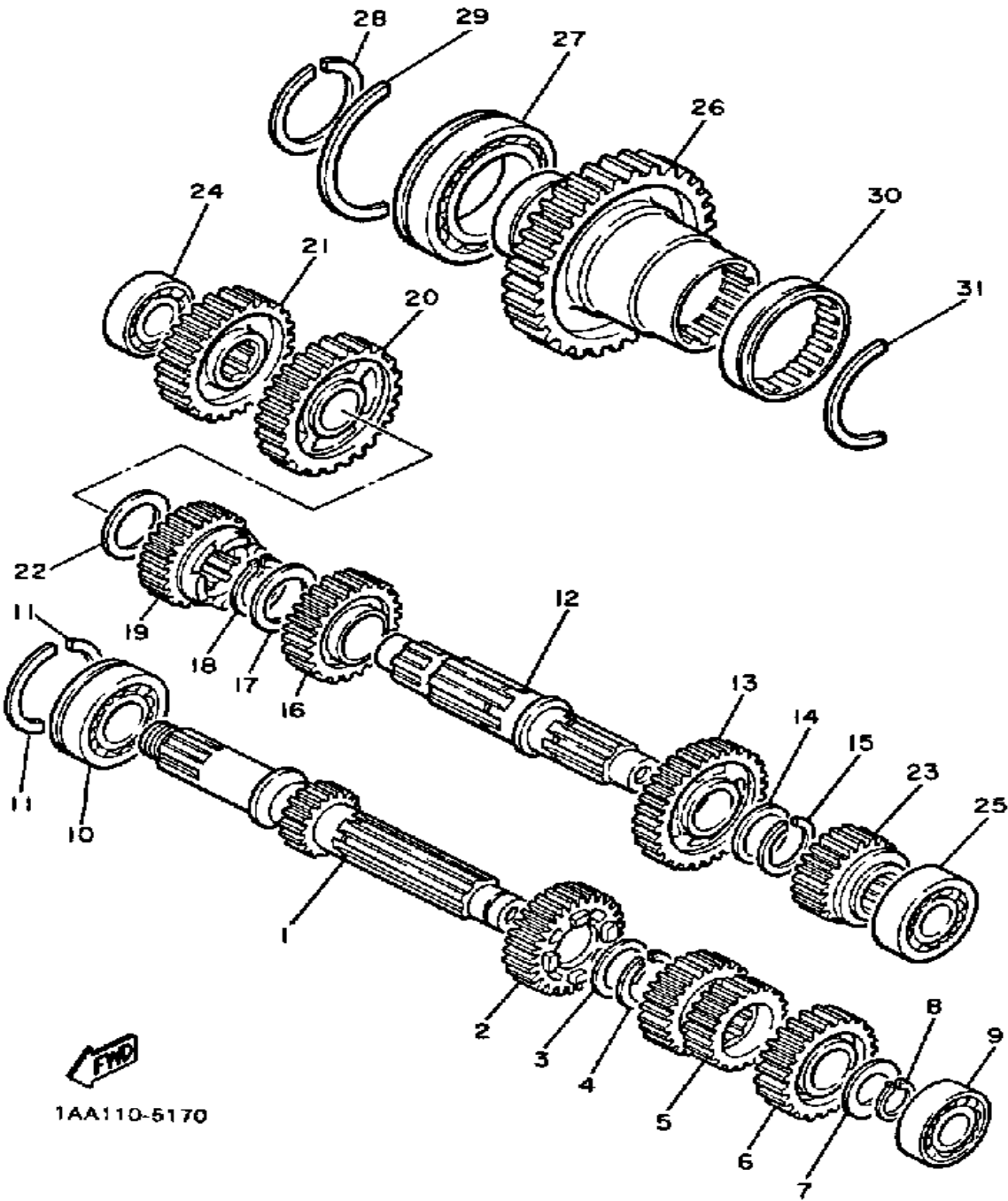


1AA110-5170

Ref. No.	Part Number	Description	Qty	Remarks
1	4H7-17401-00-00	MAIN AXLE ASSEMBLY	1	
2	4H7-17141-00-00	GEAR, 4TH PINION	1	
3	90209-22191-00	WASHER	1	
4	93440-25084-00	CIRCLIP	1	
5	4BB-17121-00-00	GEAR, 2ND PINION	1	
6	4H7-17151-00-00	GEAR, 5TH PINION	1	
7	90201-20276-00	WASHER, PLATE (1.0T)	1	
8	99009-20400-00	CIRCLIP	1	
9	93306-20458-00	BEARING	1	
10	93306-30550-00	BEARING	1	
11	278-17424-01-00	CIRCLIP 1	2	
12	4H7-17402-01-00	DRIVE AXLE ASSEMBLY	1	
13	4BB-17221-00-00	GEAR, 2ND WHEEL	1	
14	90209-22252-00	WASHER, SPEC'L SHAP	1	
15	93440-25084-00	CIRCLIP	1	
16	4BB-17231-00-00	GEAR, 3RD WHEEL	1	
17	90209-25196-00	WASHER	1	
18	93440-28062-00	CIRCLIP	1	
19	4H7-17241-00-00	GEAR, 4TH WHEEL	1	
20	4H7-17211-01-00	GEAR, 1ST WHEEL	1	
21	4H7-17582-00-00	GEAR, MIDDLE DRIVE	1	
22	90201-243A2-00	WASHER, PLATE	1	
23	16G-17251-00-00	GEAR, 5TH WHEEL	1	
24	93306-30311-00	BEARING	1	
25	93306-20439-00	BEARING	1	
26	1AA-17583-00-00	GEAR, MIDDLE DRIVEN	1	
27	93306-91101-00	BEARING	1	
28	93410-55057-00	CIRCLIP	1	
29	93440-80082-00	CIRCLIP, OUTER	1	

CONTINUED ON NEXT FRAME ►

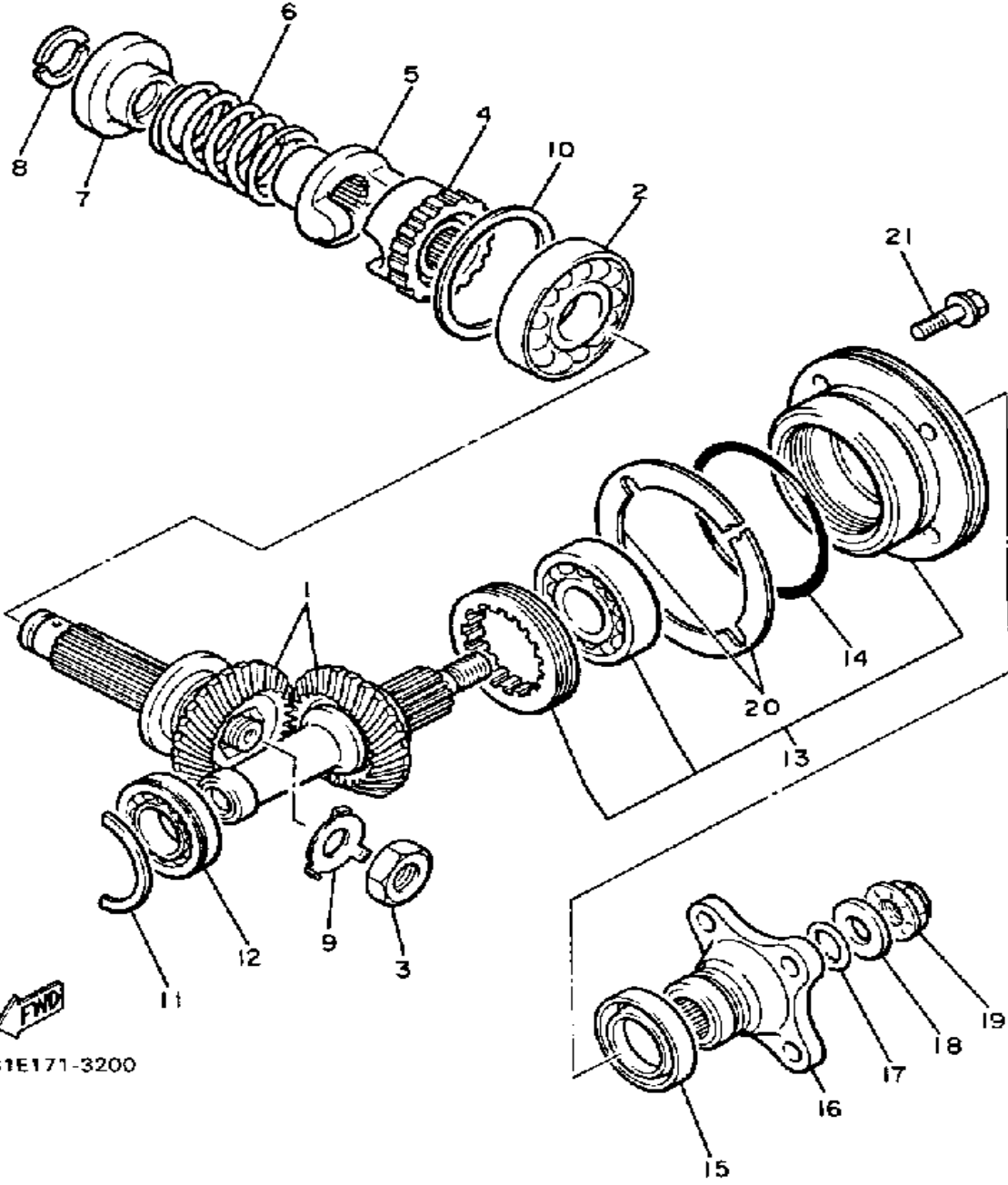
TRANSMISSION



Ref. No.	Part Number	Description	Qty	Remarks
30	93311-36042-00	BEARING, CYLINDER.# 1	1	
31	93440-72049-00	CIRCLIP	1	

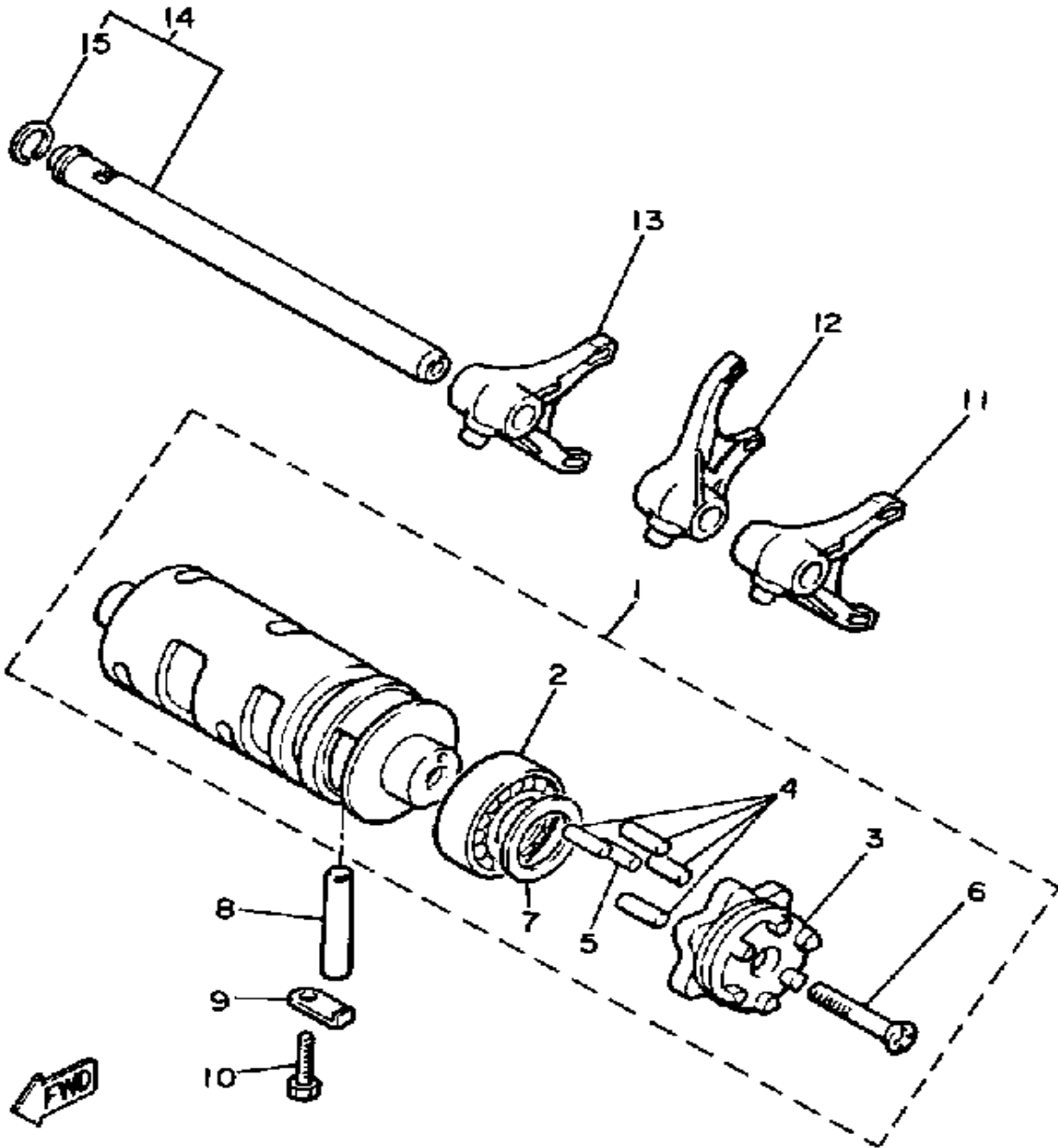

 1AA110-5170

MIDDLE DRIVE GEAR



Ref. No.	Part Number	Description	Qty	Remarks
1	31A-W1751-01-00	MIDDLE GEAR	1	
2	93306-20709-00	BEARING	1	
3	90179-18360-00	NUT, SPEC'L SHAPE	1	
4	31A-17526-00-00	CAM, DRIVE	1	
5	31A-17527-00-00	CAM, DRIVEN	1	
6	90501-70762-00	SPRING, COMPRESSION	1	
7	4H7-17524-00-00	HOLDER	1	
8	3H5-17529-00-00	WASHER, THRUST	2	
9	90215-23265-00	WASHER, LOCK	1	
10	4H7-17537-00-20	SHIM, THRUST (0.20T)	1	U.R.
	4H7-17537-00-30	SHIM, THRUST (0.30T)	1	U.R.
	4H7-17537-00-40	SHIM, THRUST (0.40T)	1	U.R.
11	93440-47081-00	CIRCLIP, OUTER	1	
12	93306-00519-00	BEARING	1	
13	31A-W1752-00-00	HOUSING	1	
14	93210-71360-00	O-RING	1	
15	93101-35097-00	OIL SEAL	1	
16	4H7-17555-00-00	FLANGE, MIDDLE GEAR	1	
17	93210-14359-00	O-RING	1	
18	90201-14633-00	WASHER, PLATE	1	
19	90179-14317-00	NUT, SPEC'L SHAPE	1	
20	3JB-17531-10-00	SHIM, PINION (0.15T)	1	U.R.
	3JB-17531-20-00	SHIM, PINION (0.20T)	1	U.R.
	3JB-17531-30-00	SHIM, PINION (0.30T)	1	U.R.
	3JB-17531-40-00	SHIM, PINION (0.40T)	1	U.R.
	4H7-17531-00-15	SHIM, PINION	1	U.R.
21	95811-08030-00	BOLT, FLANGE	4	

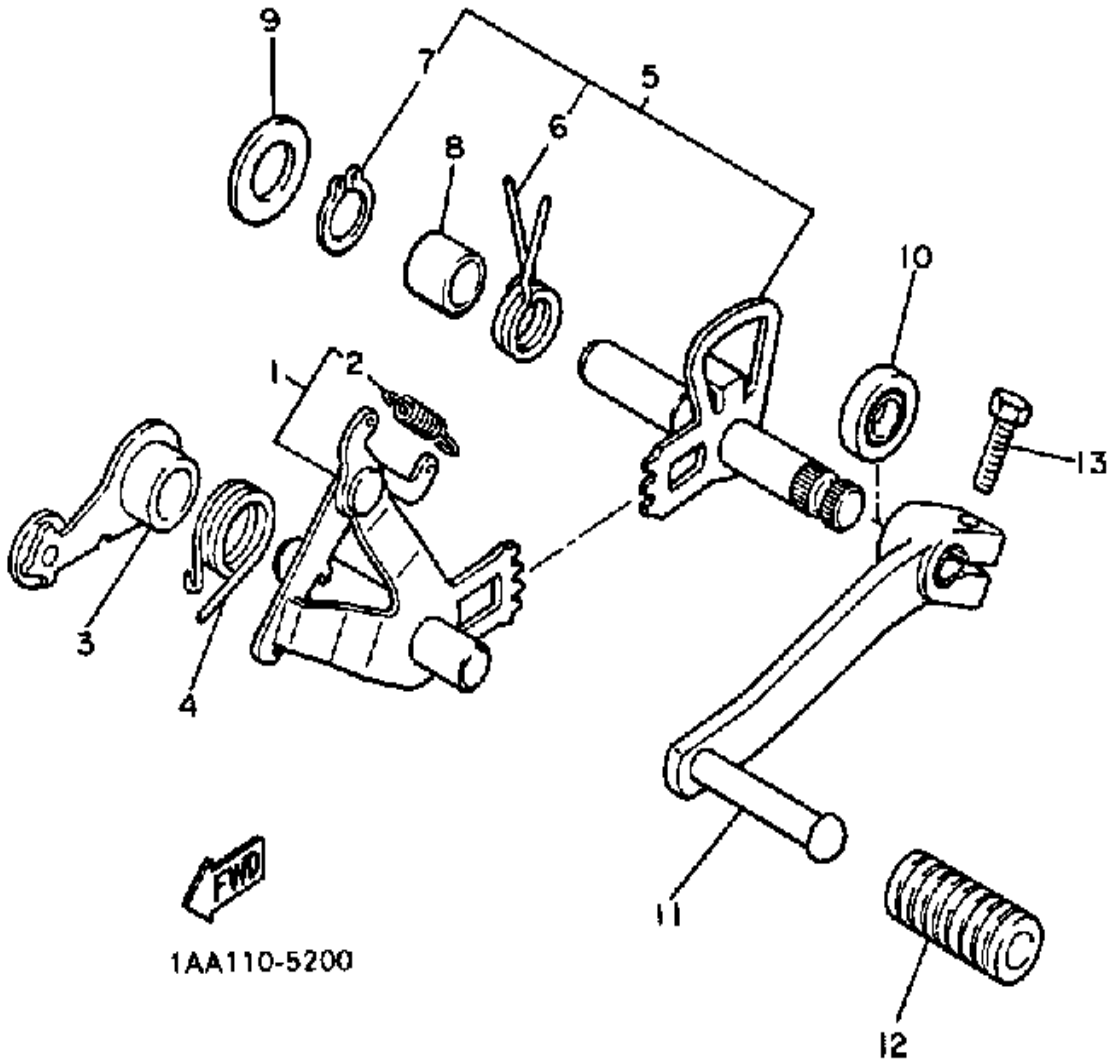
SHIFT CAM - FORK



16G110-3241

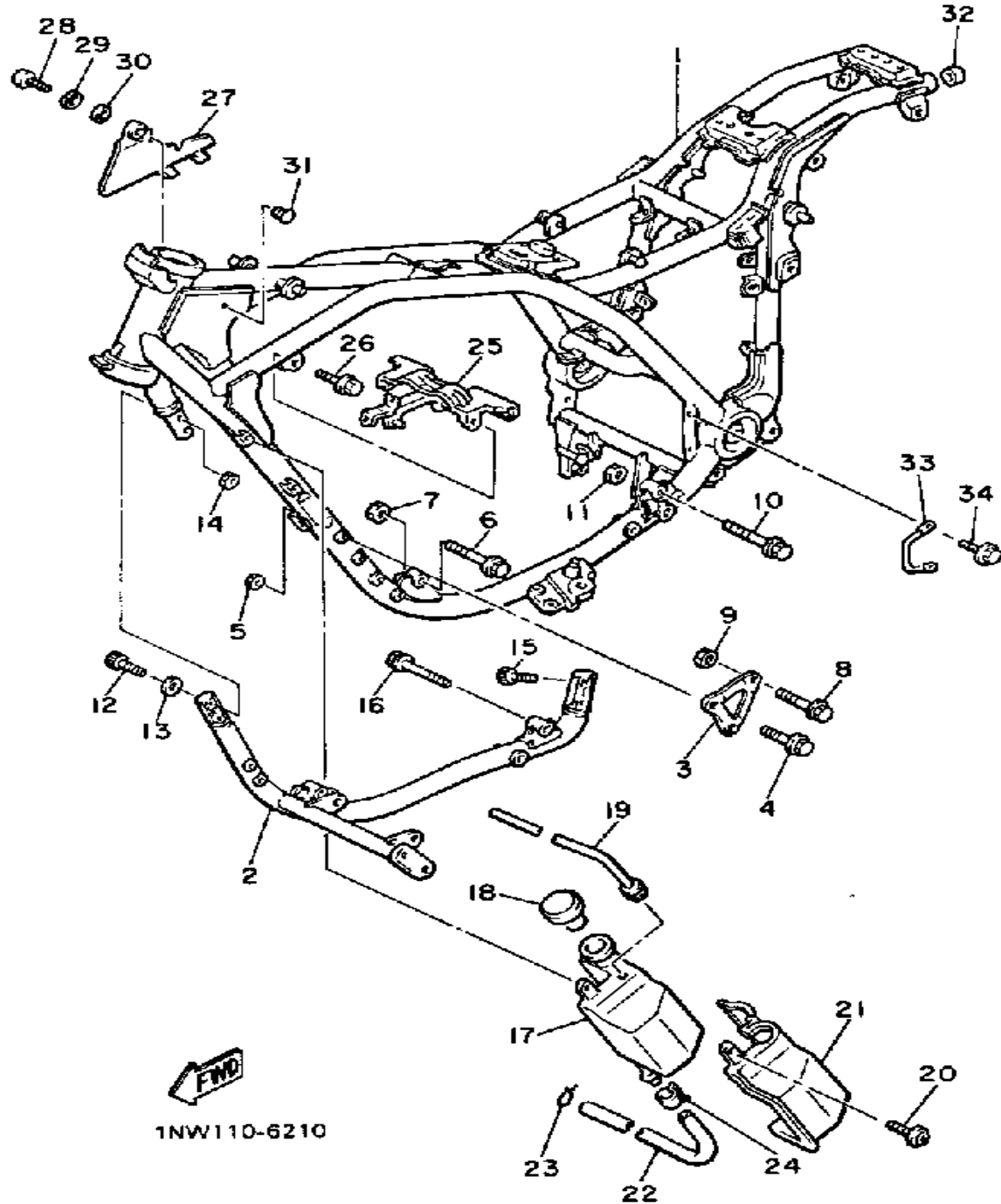
Ref. No.	Part Number	Description	Qty	Remarks
1	16G-18540-00-00	SHIFT CAM ASSEMBLY	1	
2	93306-90501-00	. BEARING	1	
3	16G-18185-00-00	. SEGMENT	1	
4	93604-16092-00	. PIN, DOWEL	4	
5	93604-10011-00	. PIN, DOWEL	1	
6	98701-05035-00	. SCREW, FLAT HEAD	1	
7	90201-253K0-00	. WASHER, PLATE (T=1.0)	1	
8	93608-43157-00	PIN, DOWEL	1	
9	2H7-15531-00-00	PLATE, STOPPER	1	
10	97313-06016-00	BOLT, HEXAGON	1	
11	4H7-18511-01-00	FORK, SHIFT 1	1	
12	4H7-18512-01-00	FORK, SHIFT 2	1	
13	4H7-18513-01-00	FORK, SHIFT 3	1	
14	4H7-18531-00-00	BAR, SHIF FRK GDE 1	1	
15	93440-11029-00	. CIRCLIP, OUTER	1	

SHIFT SHAFT



Ref. No.	Part Number	Description	Qty	Remarks
1	4H7-18101-00-00	SHIFT SHAFT ASSEMBLY 1	1	
2	90506-08227-00	. SPRING, TENSION	1	
3	4H7-18140-00-00	STOPPER LEVER ASSEMBLY	1	
4	90508-29530-00	SPRING, TORSION	1	
5	4H7-18120-02-00	SHIFT LEVER ASSEMBLY	1	
6	90508-32533-00	. UNAVAILABLE IN PRICE BOOK	1	
7	99006-10600-00	. CIRCLIP	1	
8	90387-124F4-00	COLLAR	1	
9	90201-12166-00	WASHER, PLATE	1	
10	310-21210-60-0	UNAVAILABLE IN PRICE BOOK	1	
11	4H7-18111-00-00	PEDAL, SHIFT	1	
12	132-18113-01-00	COVER, SHIFT PEDAL	1	
13	97011-06020-00	BOLT	1	

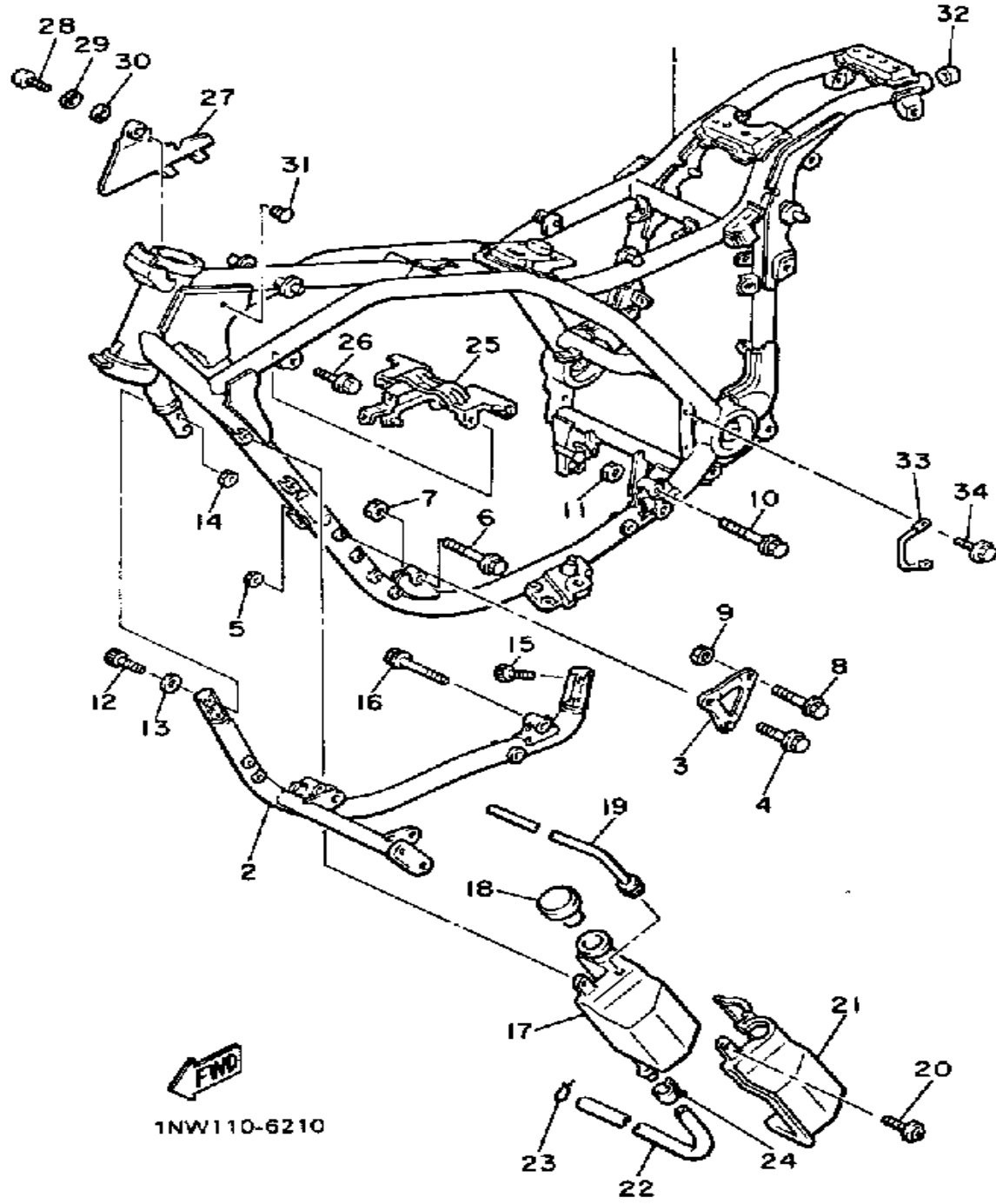
FRAME



Ref. No.	Part Number	Description	Qty	Remarks
1	1AA-21110-00-33	FRAME	1	YAMAHA BLK
2	1AA-21140-00-33	TUBE, DOWN	1	YAMAHA BLK
3	1AA-21315-00-33	STAY, ENGINE 2	2	YAMAHA BLK
4	95816-08065-00	BOLT, FLANGE	4	
5	90179-08246-00	NUT, SPEC'L SHAPE	4	
6	90105-10178-00	BOLT, WASHER BASED	1	
7	90179-10321-00	NUT	1	
8	90105-10179-00	BOLT, WASHER BASED	2	
9	90179-10321-00	NUT	2	
10	90105-12274-00	BOLT, WASHER BASED	1	
11	90179-12323-00	NUT, SPEC'L SHAPE	1	
12	91316-08030-00	BOLT, SOCKET HEAD	2	
13	92906-08600-00	WASHER	2	
14	95616-08100-00	NUT, U	2	
15	91316-08025-00	BOLT, SOCKET HEAD	2	
16	95816-08065-00	BOLT, FLANGE	2	
17	1AA-21871-00-00	TANK, RECOVERY	1	
18	1AA-21815-00-00	CAP (4L0-21875-00-00)	1	
19	1AA-21826-00-00	PIPE, BREATHER	1	
20	90159-06042-00	SCREW, WITH WASHER	2	
21	1AA-2139R-00-00	COVER 2	1	
22	1AA-21816-00-00	PIPE 1	1	
23	90467-10008-00	CLIP	1	
24	90467-10091-00	CLIP, SCISSOR	1	
25	1AA-2134Y-00-00	STAY, HORN	1	
26	95826-06010-00	BOLT, FLANGE	2	
27	1AA-2139W-00-00	COVER	1	
28	98506-06016-00	SCREW, PANHEAD	1	
29	92906-06100-00	WASHER, SPRING	1	

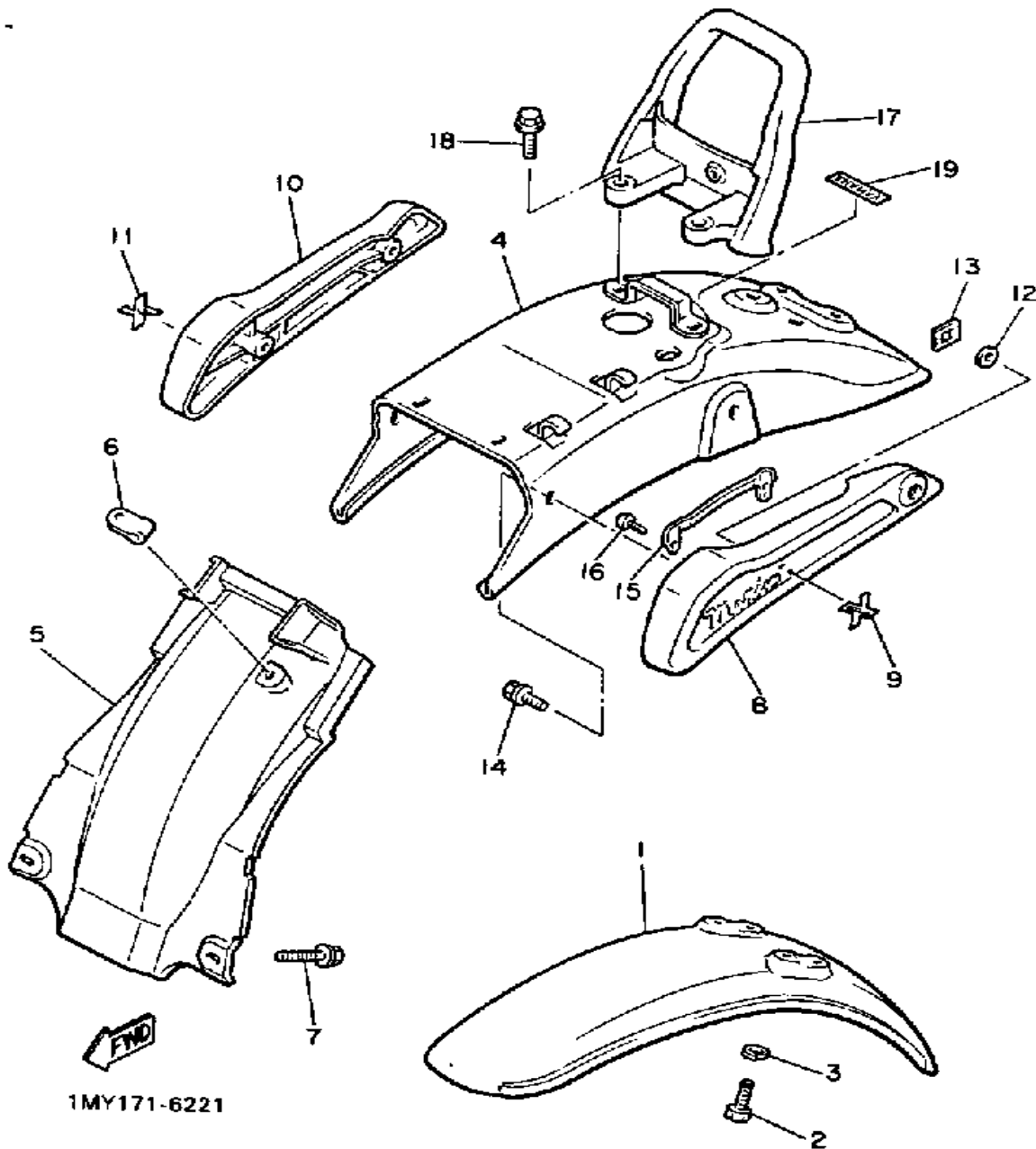
CONTINUED ON NEXT FRAME ►

FRAME



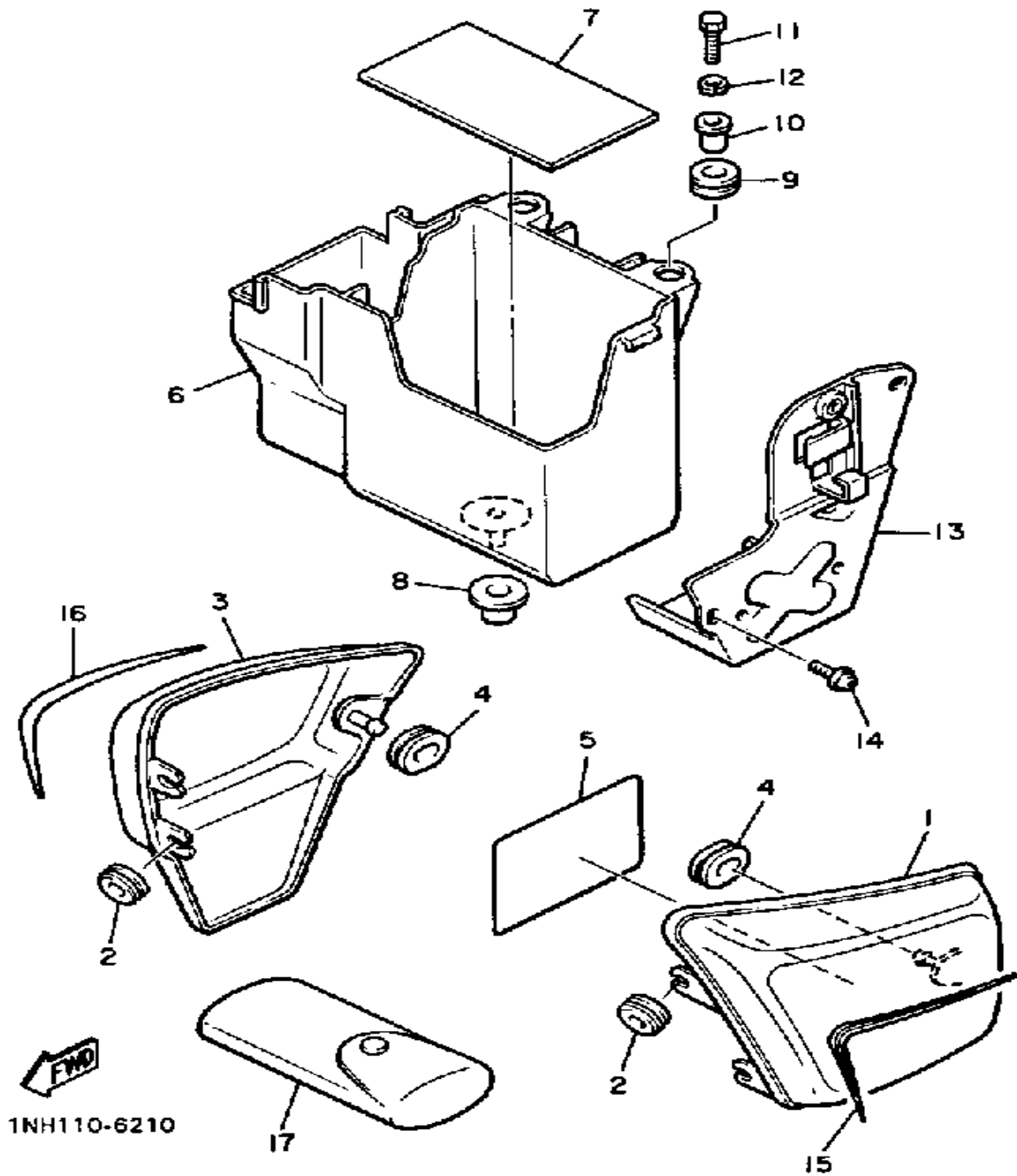
Ref. No.	Part Number	Description	Qty	Remarks
30	92906-06600-00	WASHER	1	
31	90338-06018-00	PLUG	2	
32	3YJ-24481-00-00	PLUG	2	
33	1AA-2117G-00-00	PROTECTOR	1	
34	95026-06012-00	BOLT, FLANGE	2	

FENDER



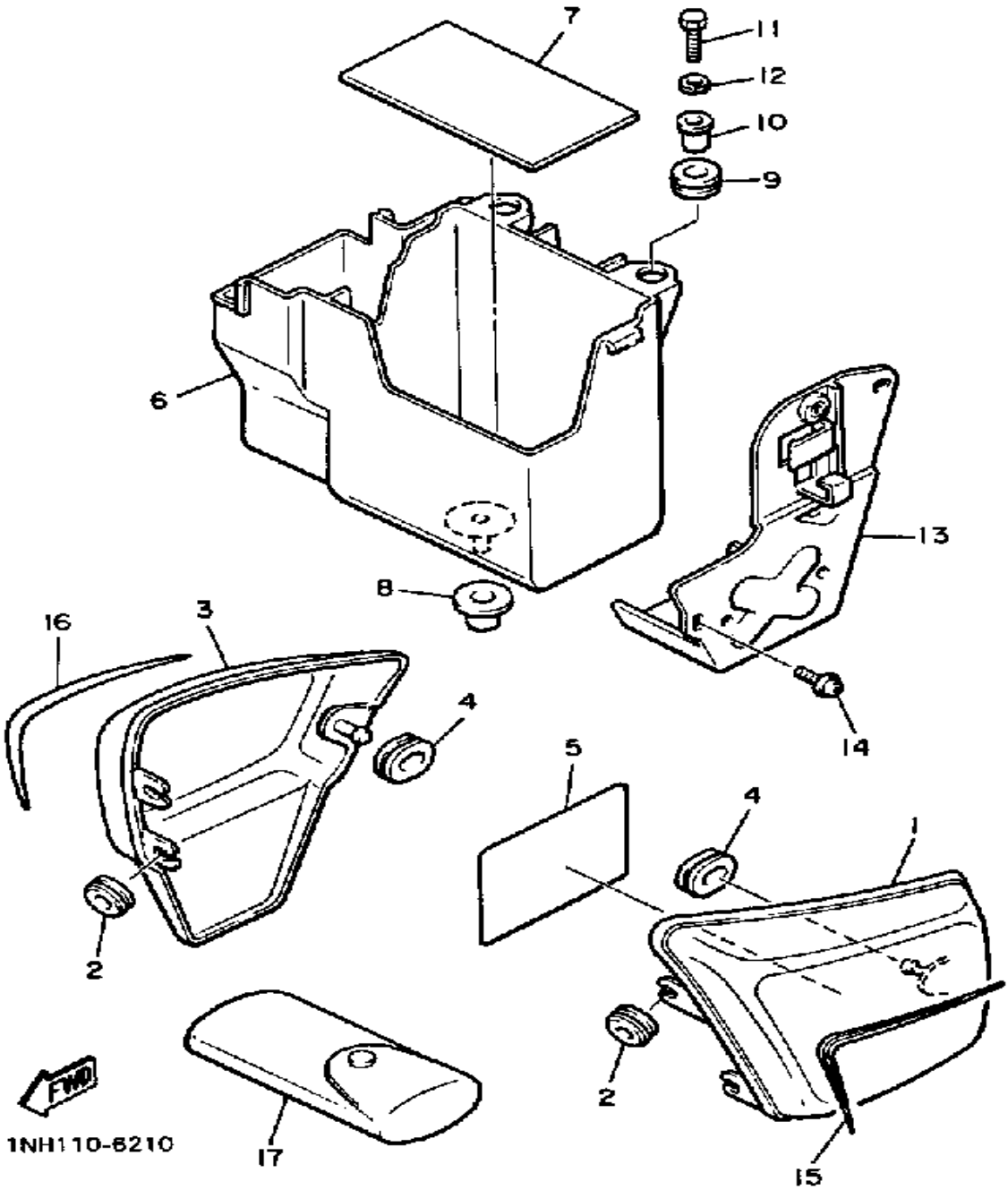
Ref. No.	Part Number	Description	Qty	Remarks
1	1MY-21510-00-6G	FENDER, FRONT	1	
	1MY-21510-00-MX	FENDER, FRONT	1	
2	97013-06012-00	BOLT	4	
3	92995-06100-00	WASHER, SPRING	4	
4	1AA-21610-00-6G	FENDER, REAR	1	U.R. NEW YAMAHA BLK
	1AA-21610-00-MX	FENDER, REAR	1	
5	1AA-21629-00-00	GUARD, MUD	1	
6	90464-16021-00	CLAMP	1	
7	(90119-06095-00)	BOLT, WITH WASHER	2	
8	1AA-21613-00-00	STAY, FENDER 1	1	
9	1AA-2163G-00-00	EMBLEM 1	1	
10	1AA-21614-00-00	STAY, FENDER 2	1	
11	1AA-2163H-00-00	EMBLEM 2	1	
12	90202-04003-00	WASHER, PLATE	2	
13	90183-04005-00	NUT, SPRING	2	
14	95821-08020-00	BOLT, FLANGE (95801-08020)	4	
15	(1AA-21637-00-00)	CLAMP, WIRE	2	
16	97701-40506-00	SCREW, TAPPING	4	
17	1AA-2164A-00-00	GRIP 1	1	
18	95811-10030-00	BOLT, FLANGE	2	
19	99235-00020-00	EMBLEM, YAMAHA	1	

SIDE COVER XJ700XS



Ref. No.	Part Number	Description	Qty	Remarks
1	1AA-21711-00-6G	COVER, SIDE 1	1	U.R. NEW YAMAHA BLK
	1AA-21711-00-MX	COVER, SIDE 1	1	
2	90480-12053-00	GROMMET	4	
3	1AA-21721-00-6G	COVER, SIDE 2	1	U.R. NEW YAMAHA BLK
	1AA-21721-00-MX	COVER, SIDE 2	1	
4	90480-01401-00	GROMMET	2	
5	(1NW-21683-60-00)	PLATE, SPEC	1	
6	(1AA-21171-00-00)	BOX, TOOL	1	
7	5X2-24183-00-00	DAMPER, LOCATING 3	1	
8	90480-14088-00	GROMMET	1	
9	90480-14023-00	GROMMET	2	
10	90387-06388-00	COLLAR	2	
11	97011-06025-00	BOLT (97001-06025)	2	
12	92995-06100-00	WASHER, SPRING	2	
13	1AA-21243-00-00	PLATE, BRIDGE	1	
14	90159-06093-00	SCREW, WITH WASHER	2	
15	1MY-2173E-00-00	GRAPHIC	1	
	1MY-2173E-10-00	GRAPHIC	1	
16	1MY-2173F-00-00	GRAPHIC	1	
	1MY-2173F-10-00	GRAPHIC	1	
17	1AA-W2810-00-00	TOOL KIT	1	

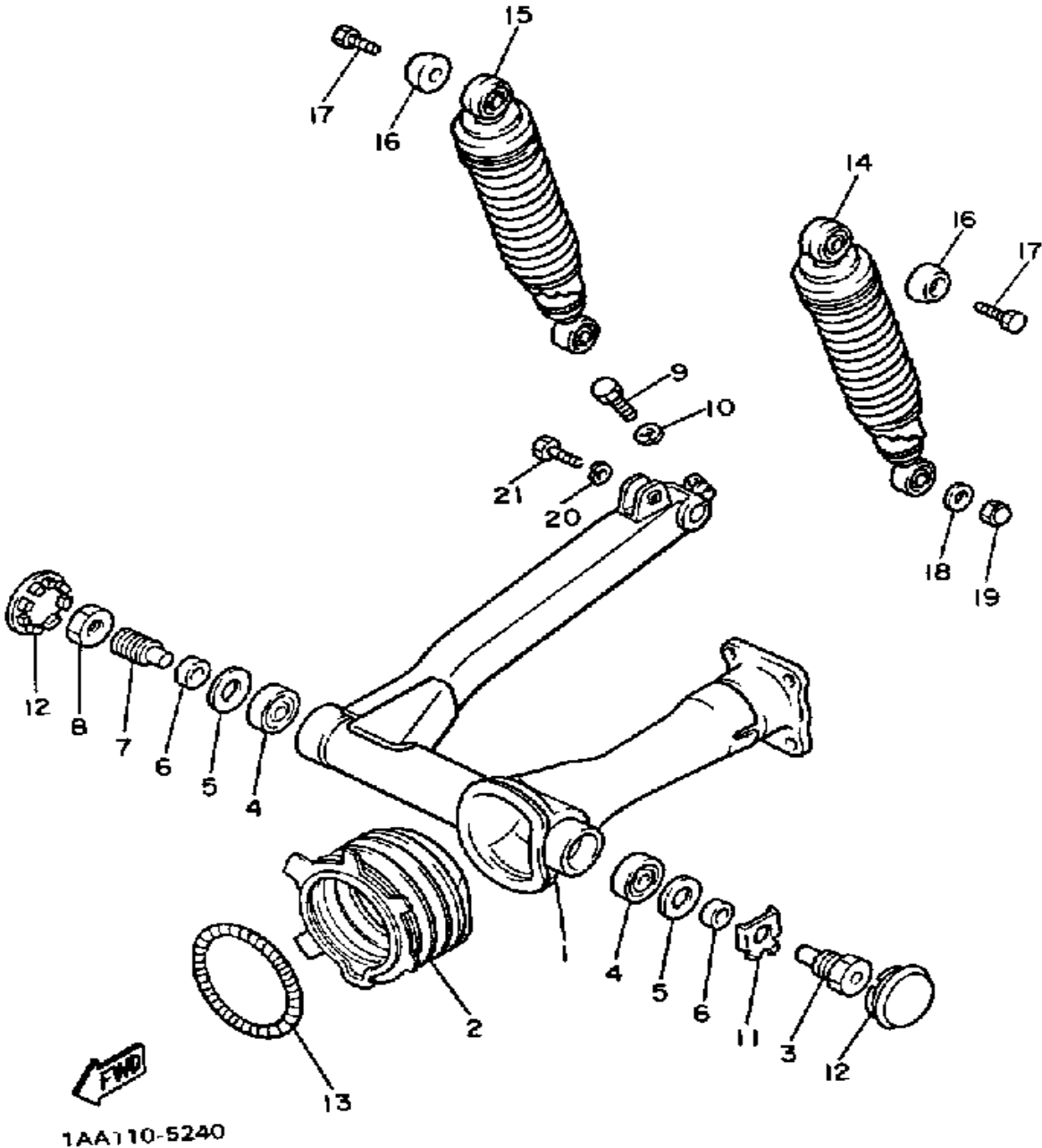
SIDE COVER XJ700XSC



Ref. No.	Part Number	Description	Qty	Remarks
1	1AA-21711-00-6G	COVER, SIDE 1	1	U.R. NEW YAMAHA BLK
	1AA-21711-00-MX	COVER, SIDE 1	1	
2	90480-12053-00	GROMMET	4	
3	1AA-21721-00-6G	COVER, SIDE 2	1	U.R. NEW YAMAHA BLK
	1AA-21721-00-MX	COVER, SIDE 2	1	
4	90480-01401-00	GROMMET	2	
5	(1LT-21687-60-00)	PLATE, SPEC	1	
6	1AA-21171-00-00	NO LONGER AVAILABLE	1	
7	5X2-24183-00-00	DAMPER, LOCATING 3	1	
8	90480-14088-00	GROMMET	1	
9	90480-14023-00	GROMMET	2	
10	90387-06388-00	COLLAR	2	
11	97011-06025-00	BOLT (97001-06025)	2	
12	92995-06100-00	WASHER, SPRING	2	
13	1AA-21243-00-00	PLATE, BRIDGE	1	
14	90159-06093-00	SCREW, WITH WASHER	2	
15	1MY-2173E-00-00	GRAPHIC	1	
	1MY-2173E-10-00	GRAPHIC	1	
16	1MY-2173F-00-00	GRAPHIC	1	

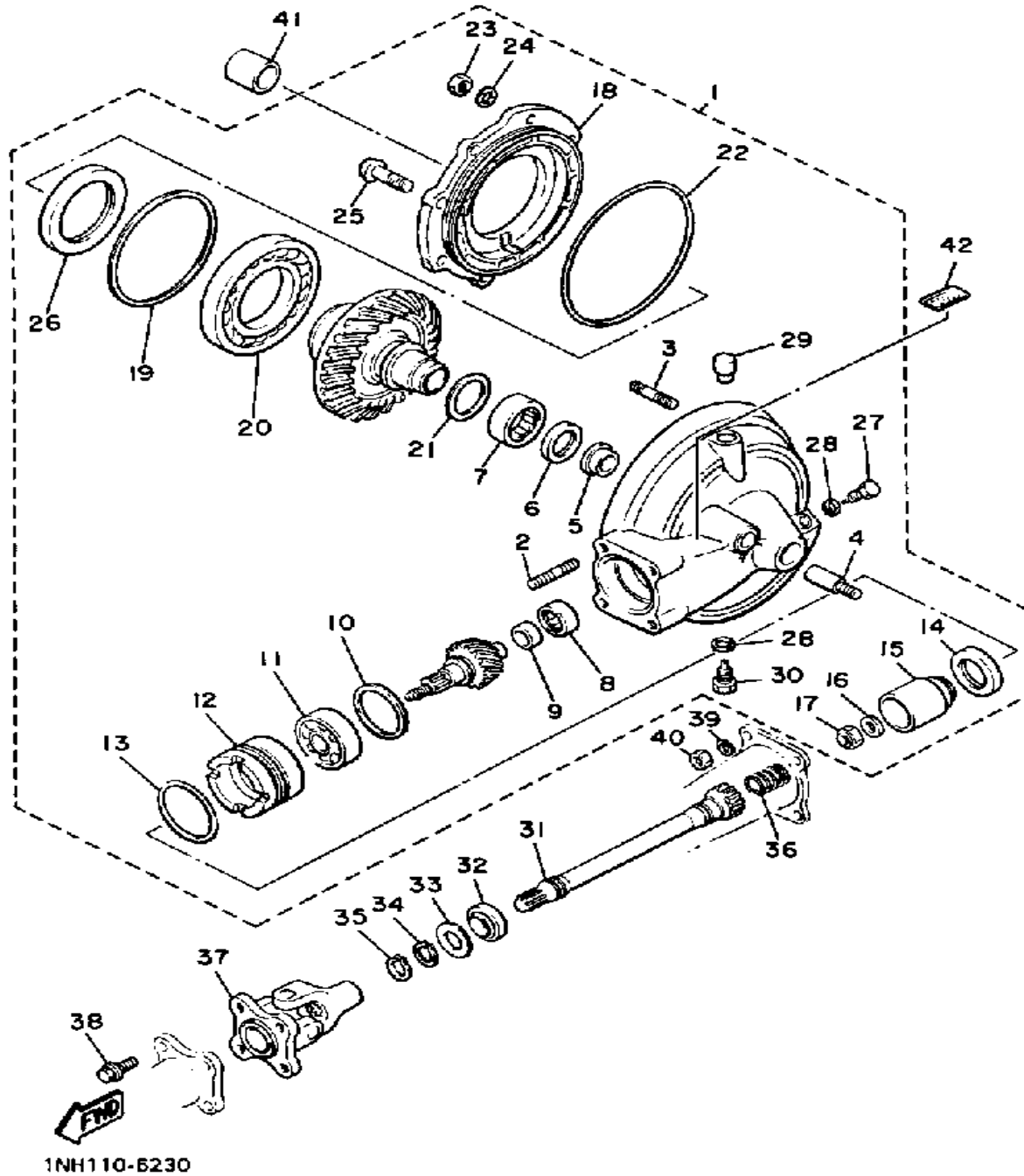
1NH110-6210

SWING ARM - SUSPENSION



Ref. No.	Part Number	Description	Qty	Remarks
1	16G-22110-00-98	REAR ARM (4H7-22110-00-98)	1	LW GLOSS BK
2	1AA-22189-00-00	BOOT, RUBBER	1	
3	4H7-22141-00-00	SHAFT, PIVOT	1	
4	93332-00010-00	BEARING	2	
5	93102-25017-00	OIL SEAL	2	
6	90387-17543-00	COLLAR	2	
7	1J7-22141-00-00	SHAFT, PIVOT	2	
8	1J7-22143-00-00	NUT	1	
9	97026-08035-00	BOLT (TJ)	1	
10	92906-08100-00	WASHER, SPRING	1	
11	90215-22238-00	WASHER, LOCK	1	
12	2H7-2219X-00-00	COVER	2	
13	90506-07136-00	SPRING, TENSION	1	
14	1AA-22210-00-00	SHK/ABS ASSEMBLY, REAR	1	
15	1AA-22210-10-00	SHK/ABS ASSEMBLY, REAR	1	
16	42X-22243-00-00	WASHER 1	2	
17	95023-08020-00	BOLT	2	
18	90201-100A1-00	WASHER, PLATE	1	
19	90176-10013-00	NUT, CROWN	1	
20	92990-10100-00	WASHER, SPRING	1	
21	90106-10030-00	BOLT, DOME HEAD	1	

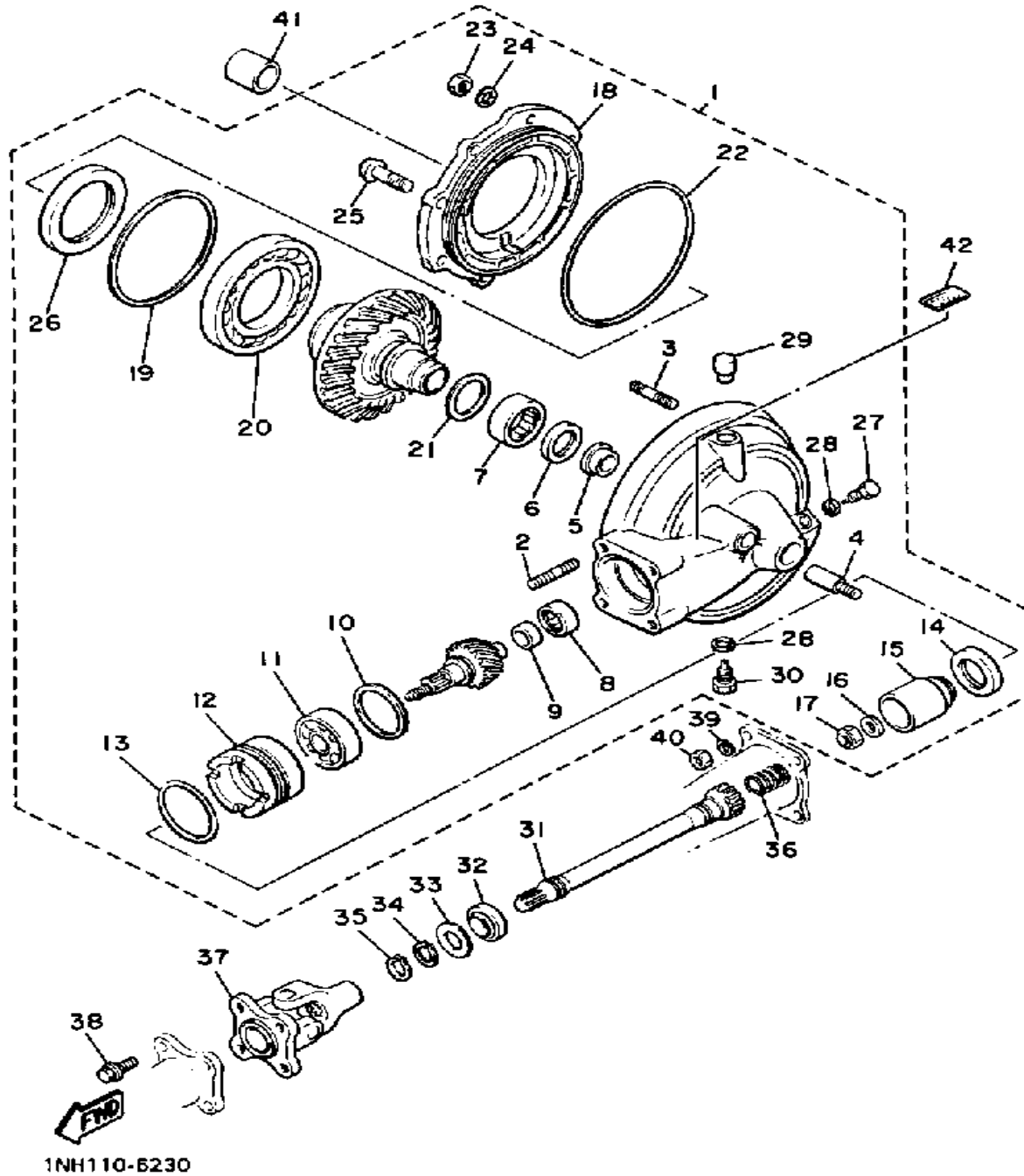
DRIVE SHAFT



Ref. No.	Part Number	Description	Qty	Remarks
1	5G2-46101-01-00	REAR AXLE GEAR CASE ASSEMBLY	1	
2	90116-10361-00	. BOLT, STUD	4	
3	90116-08360-00	. BOLT, STUD	6	
4	90116-10249-00	. BOLT, STUD	1	
5	4H7-46153-00-00	. COLLAR, GUIDE	1	
6	93101-30084-00	. OIL SEAL	1	
7	93311-43729-00	. BEARING	1	
8	93317-41510-00	. BEARING	1	
9	2H7-46122-00-00	. RACE, INNER	1	
10	1J7-17537-Y0-30	. SHIM, THRUST (0.30T)	1	U.R.
	1J7-17537-Y0-40	. SHIM, THRUST (0.40T)	1	U.R.
	1J7-17537-Y0-50	. SHIM, THRUST (0.50T)	1	U.R.
11	93306-30533-00	. BEARING (B6305RB1 SPECIAL)	1	
12	4H7-46125-00-00	. RETAINER, BEARING	1	
13	93210-60426-00	. O-RING	1	
14	93101-38098-00	. OIL SEAL	1	
15	4H7-46123-00-00	. COUPLING, GEAR	1	
16	90201-14632-00	. WASHER, PLATE	1	
17	90185-14070-00	. NUT, SELF-LOCKING	1	
18	4H7-46152-00-00	. HOUSING, BEARING	1	
19	1J7-36117-Y0-30	. UNAVAILABLE IN PRICE BOOK (0.30T)	1	U.R.
	1J7-46117-Y0-35	. SHIM, RING GEAR	1	U.R.
	1J7-46117-Y0-40	. SHIM, RING GEAR (0.40T)	1	U.R.
	1J7-46117-Y0-50	. SHIM, RING GEAR (0.50T)	1	U.R.
20	93316-01403-00	. BEARING	1	
21	1J7-46118-Y0-18	. WASHER, THRUST	1	U.R.
	1J7-46118-Y0-19	. WASHER, THRUST	1	U.R.

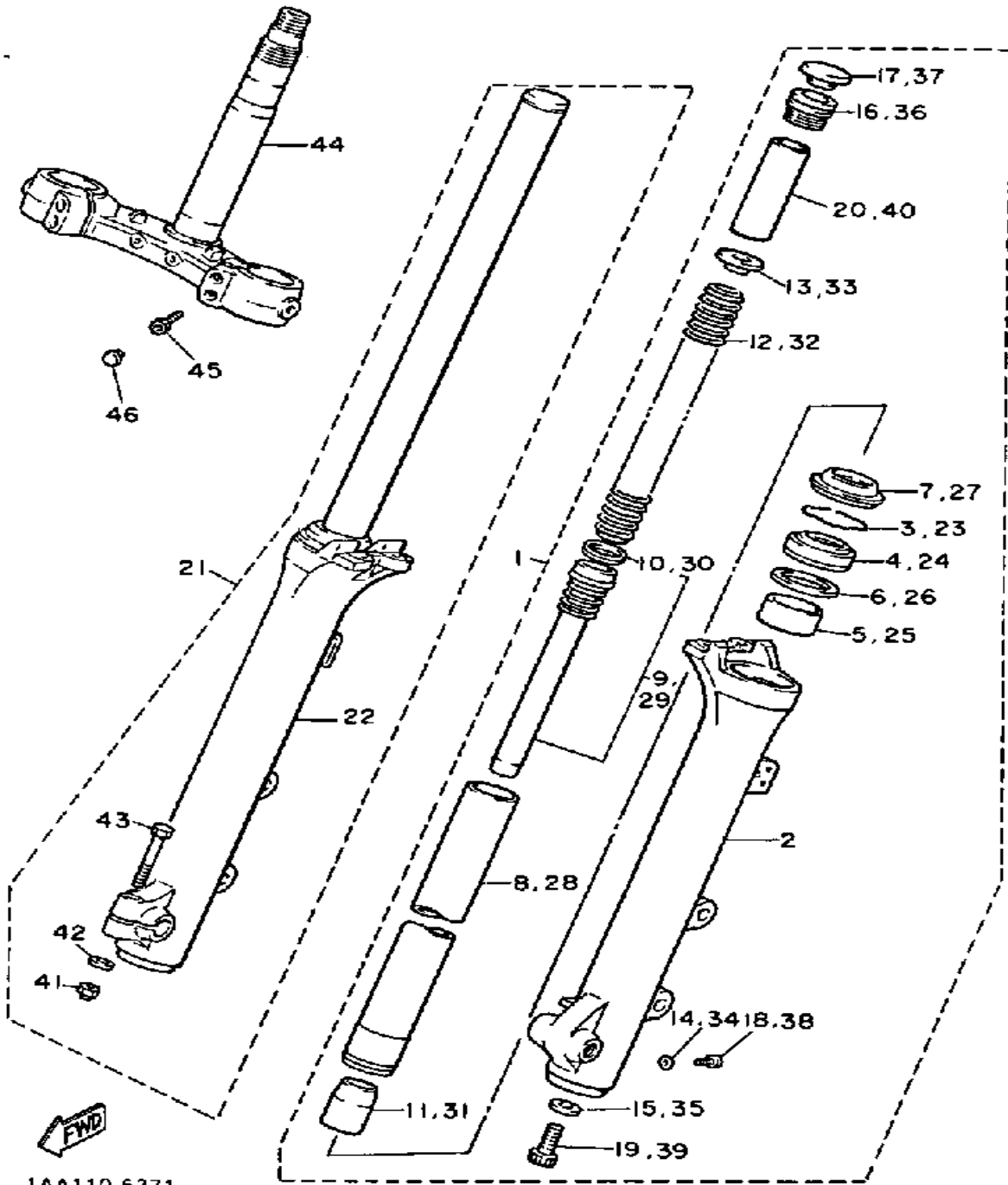
CONTINUED ON NEXT FRAME ►

DRIVE SHAFT



Ref. No.	Part Number	Description	Qty	Remarks
21	1J7-46118-Y0-20	. WASHER, THRUST	1	U.R.
	1J7-46118-Y0-21	. WASHER, THRUST	1	U.R.
	4H7-46118-00-14	. WASHER, THRUST	1	U.R.
	4H7-46118-00-15	. WASHER, THRUST	1	U.R.
	4H7-46118-00-16	. WASHER, THRUST	1	U.R.
	4H7-46118-00-17	. WASHER, THRUST	1	U.R.
	4H7-46118-00-22	. WASHER, THRUST	1	U.R.
	4H7-46118-00-23	. WASHER, THRUST	1	U.R.
22	93211-44348-00	. O-RING	1	
23	95333-08600-00	. NUT	6	
24	92901-08700-00	. WASHER, WAVE	6	
25	95811-10025-00	. BOLT, FLANGE	2	
26	93102-70167-00	. OIL SEAL	1	
27	3VD-13455-00-00	. PLUG	1	
28	214-11198-01-00	. GASKET	2	
29	2H7-17590-00-00	. BREATHER COMP.	1	
30	90340-14118-00	. PLUG, STRAIGHT	1	
31	31A-46172-01-00	SHAFT, DRIVE	1	
32	93108-23007-00	OIL SEAL	1	
33	90201-231A2-00	WASHER, PLATE	1	
34	93410-23056-00	CIRCLIP	1	
35	93410-22039-00	CIRCLIP	1	
36	90501-16491-00	SPRING, COMPRESSION	1	
37	31A-46180-00-00	CROSS JOINT	1	
38	90105-08155-00	BOLT, WASHER BASED	4	
39	92990-10100-00	WASHER, SPRING	4	
40	90176-10049-00	NUT, CROWN	4	
41	90387-172A5-00	COLLAR	1	
42	4H7-46181-10-00	LABEL, OIL CAUTION	1	

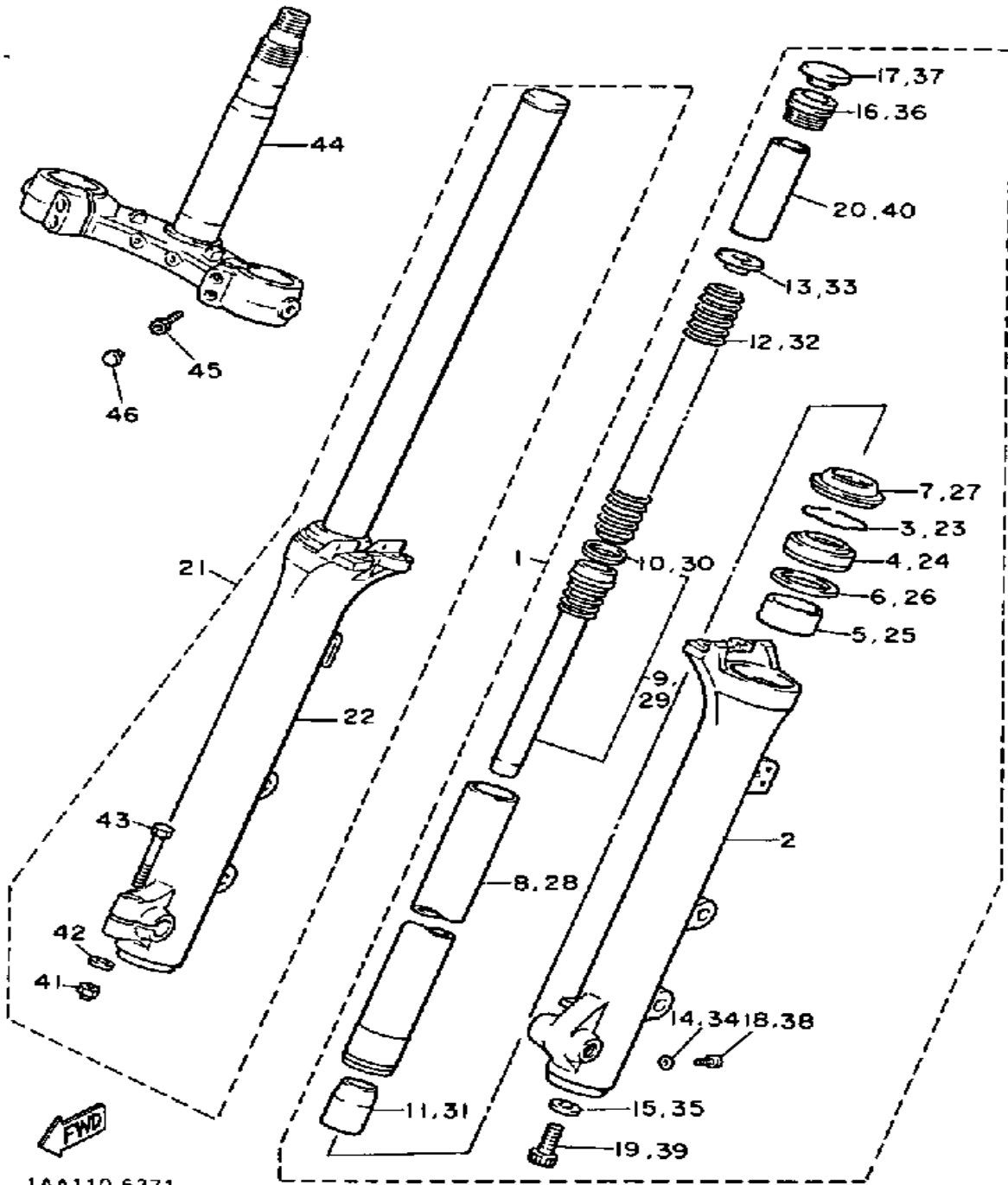
FRONT FORK



Ref. No.	Part Number	Description	Qty	Remarks
1	1AA-23102-00-00	FRONT FORK ASSEMBLY L	1	
2	42H-23126-01-00	. TUBE, OUTER 1	1	
3	34R-23153-00-00	. UNAVAILABLE IN PRICE BOOK	1	
4	3EN-23145-00-00	. OIL SEAL	1	
5	2YK-23125-00-00	. METAL, SLIDE 1	1	
6	4V2-23146-L0-00	. WASHER, OIL SEAL	1	
7	42X-23144-01-00	. SEAL, DUST	1	
8	1AA-23110-00-00	. INNER TUBE 1	1	
9	(1AA-23170-00-00)	CYLINDER, FRTRFK	1	
10	31A-23157-00-00	. RING, PISTON FRTRFK	1	
11	1W1-23173-L0-00	. SPINDLE, TAPER	1	
12	1AA-23141-00-00	. SPRING, FRONT FORK	1	
13	1W1-23142-L0-00	. SEAT, SPRING UPPER	1	
14	122-23129-00-00	. GASKET, DRAIN PLUG	1	
15	509-23158-L0-00	. GASKET	1	
16	1AA-23111-00-00	. BOLT, CAP	1	
17	1AA-23168-00-00	. CAP, FRONT FORK	1	
18	4H7-23119-00-00	. PLUG, DRAIN - (122-23119-01)	1	
19	278-23181-50-00	. BOLT, HEXAGON SOCKET HEAD	1	
20	42H-23118-00-00	. SPACER	1	
21	1AA-23103-00-00	FRONT FORK ASSEMBLY R	1	
22	42H-23136-01-00	. TUBE, OUTER 2	1	
23	3R4-23153-00-00	. RING, SNAP	1	
24	3EN-23145-00-00	. OIL SEAL	1	
25	2YK-23125-00-00	. METAL, SLIDE 1	1	
26	4V2-23146-L0-00	. WASHER, OIL SEAL	1	
27	42X-23144-01-00	. SEAL, DUST	1	

CONTINUED ON NEXT FRAME ►

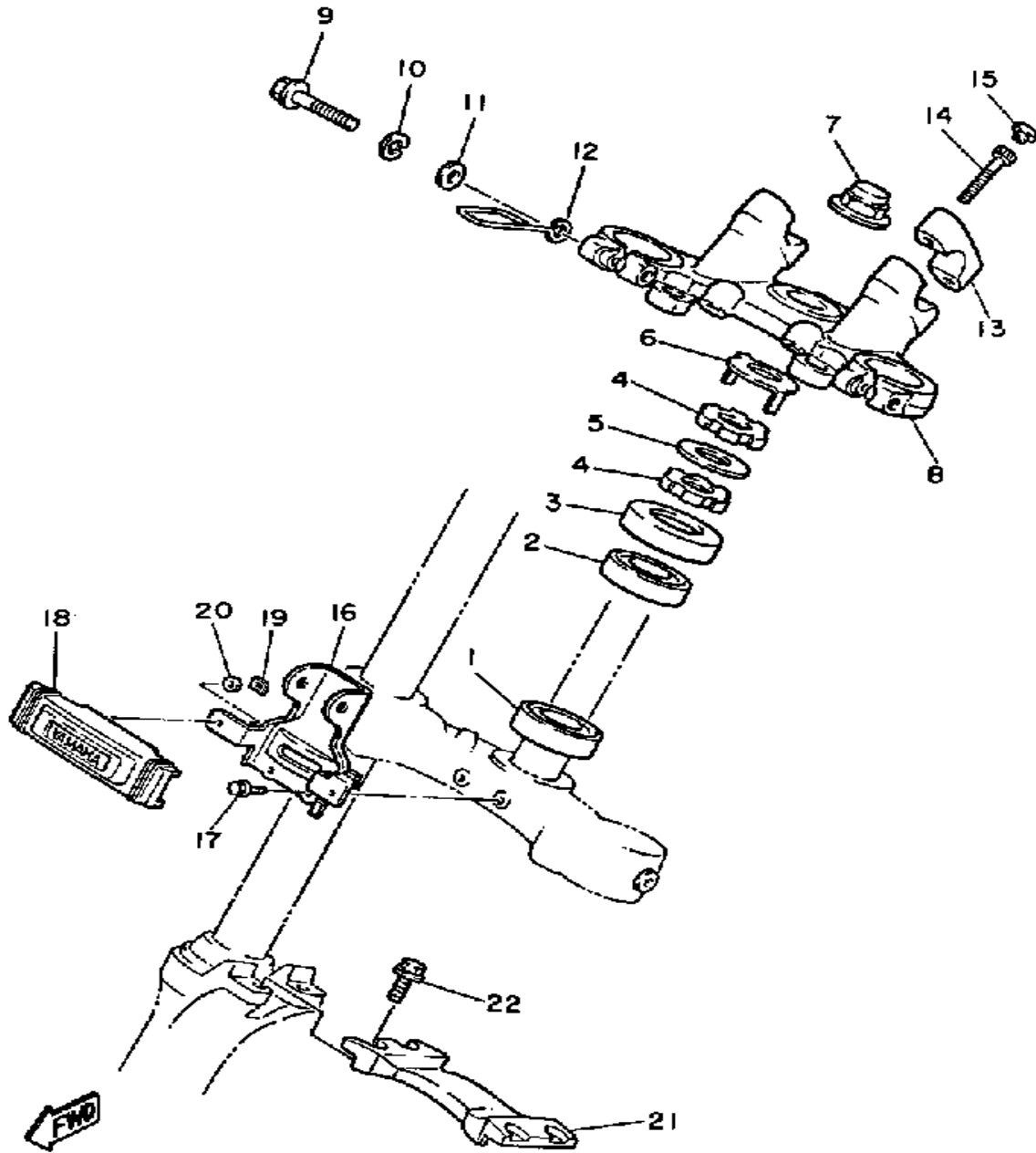
FRONT FORK



1AA110-6271

Ref. No.	Part Number	Description	Qty	Remarks
28	1AA-23110-00-00	. INNER TUBE 1	1	
29	(1AA-23170-00-00)	. CYLINDER, FRTRK	1	
30	31A-23157-00-00	. . RING, PISTON FRTRK	1	
31	1W1-23173-L0-00	. SPINDLE, TAPER	1	
32	1AA-23141-00-00	. SPRING, FRONT FORK	1	
33	1W1-23142-L0-00	. SEAT, SPRING UPPER	1	
34	122-23129-00-00	. GASKET, DRAIN PLUG	1	
35	509-23158-L0-00	. GASKET	1	
36	1AA-23111-00-00	. BOLT, CAP	1	
37	1AA-23168-00-00	. CAP, FRONT FORK	1	
38	4H7-23119-00-00	. PLUG, DRAIN - (122-23119-01)	1	
39	278-23181-50-00	. BOLT, HEXAGON SOCKET HEAD	1	
40	42H-23118-00-00	. SPACER	1	
41	95611-08100-00	. NUT, U	1	
42	92901-08600-00	. WASHER	1	
43	90101-08340-00	. BOLT	1	
44	1AA-23340-00-00	UNDER BRACKET	1	
45	91311-08030-00	BOLT	4	
46	90338-08163-00	PLUG	4	

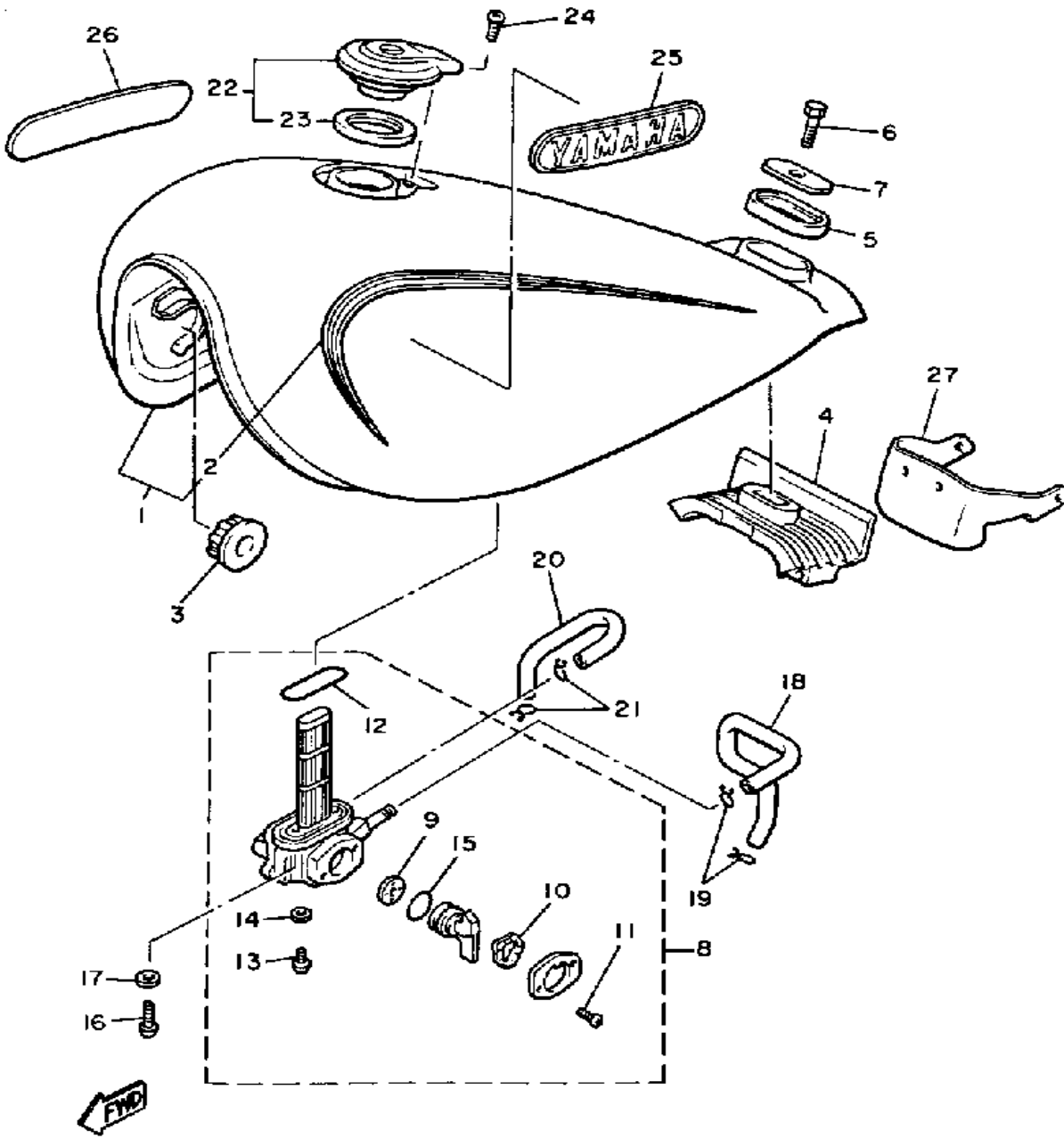
STEERING



1AA110-5260

Ref. No.	Part Number	Description	Qty	Remarks
1	93332-00008-00	BEARING	1	
2	93332-00001-00	BEARING	1	
3	1J7-23415-00-00	COVER, BALL RACE 1	1	
4	90179-25033-00	NUT	2	
5	90202-26142-00	WASHER, PLATE	1	
6	26H-23418-01-00	WASHER, SPECIAL	1	
7	90176-22050-00	NUT, CROWN	1	
8	1AA-23435-00-38	CROWN, HANDLE	1	CLEAR BUFF
9	95023-08045-00	BOLT	2	
10	92990-08100-00	WASHER	2	
11	92901-08600-00	WASHER	2	
12	42X-23317-01-00	HOLDER, CABLE	2	
13	4H7-23441-00-38	HOLDER, HANDLE UPPER ...	2	CLEAR BUFF
14	91311-08030-00	BOLT	4	
15	90338-08163-00	PLUG	4	
16	1AA-23174-00-00	STAY, HEADLIGHT	1	
17	95023-06020-00	BOLT, FLANGE	2	
18	1AA-23122-00-00	COVER, OUTER 1 (90467-10041)	1	
19	90183-04005-00	NUT, SPRING	2	
20	90202-04003-00	WASHER, PLATE	2	
21	42X-2313A-00-00	. BRACE, FORK	1	
22	95023-08020-00	BOLT	4	

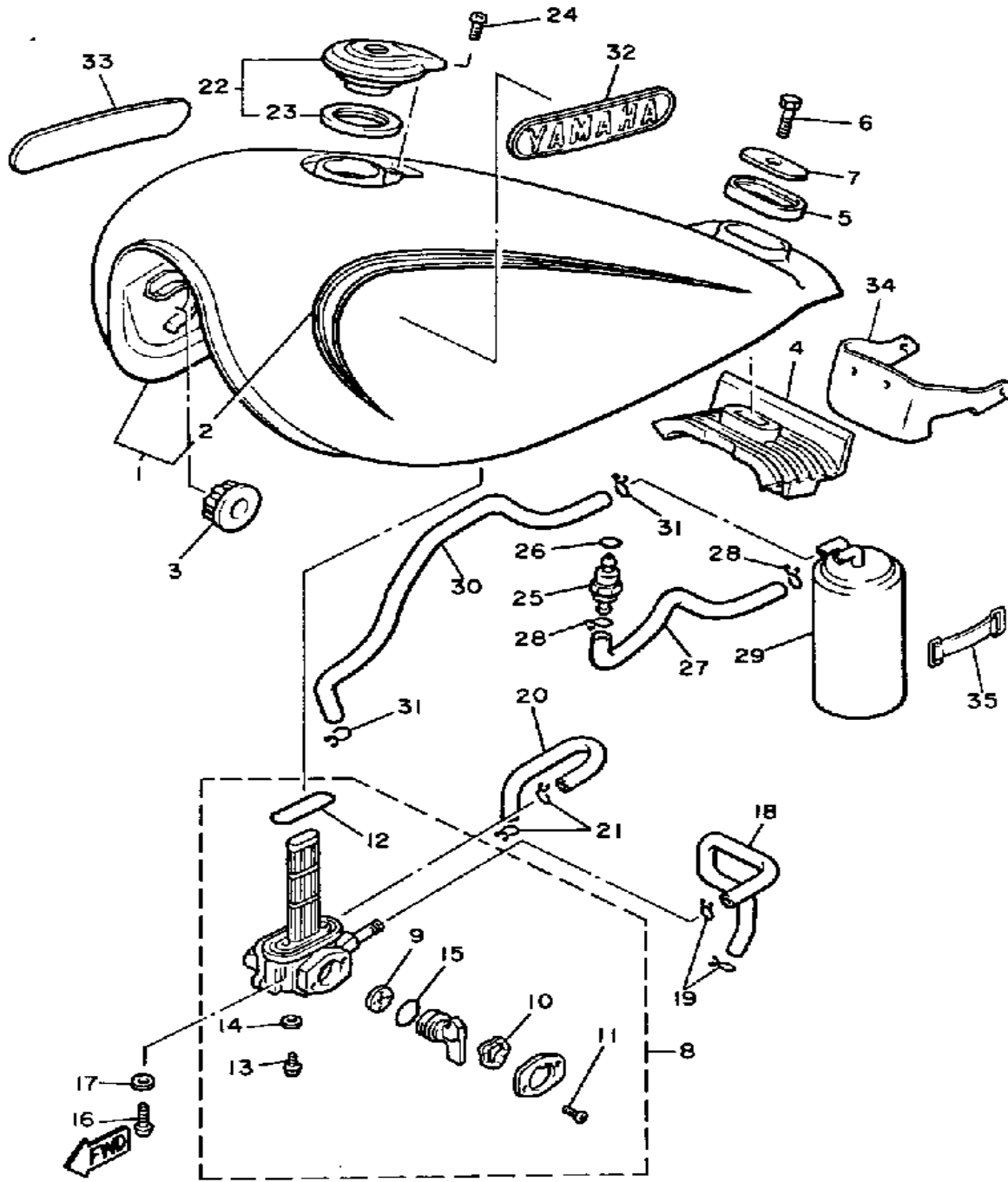
FUEL TANK XJ700XS



INH110-6260

Ref. No.	Part Number	Description	Qty	Remarks
1	1AA-24110-00-03	FUEL TANK	1	
	1AA-24110-00-04	FUEL TANK	1	
2	1MY-24240-00-00	. GRAPHIC SET	1	
	1MY-24240-10-00	. GRAPHIC SET	1	
3	26H-24181-00-00	DAMPER, locating 1	2	
4	1AA-24182-00-00	DAMPER, LOCATING 2	1	
5	3Y6-24183-00-00	DAMPER, LOCATING 3	1	
6	97313-08030-00	BOLT, HEXAGON	1	
7	12R-24186-00-00	WASHER, SPECIAL	1	
8	31A-24500-01-00	FUEL COCK ASSEMBLY 1	1	
9	16G-24523-00-00	. VALVE	1	
10	16G-24518-00-00	. WASHER, WAVE	1	
11	98580-03008-00	. SCREW, PAN HEAD	2	
12	2G2-24512-00-00	. GASKET	1	
13	98580-06008-00	. SCREW, PAN HEAD	1	
14	2G2-24522-00-00	. GASKET	1	
15	2G2-24534-00-00	. SEAL, COCK	1	
16	90149-06008-00	SCREW	2	
17	90202-05187-00	WASHER, PLATE	2	
18	1AA-24311-00-00	PIPE, FUEL 1	1	
19	90467-10008-00	CLIP	2	
20	90445-09531-00	HOSE	1	
21	90467-08021-00	CLIP	2	
22	4X7-24602-02-00	CAP ASSEMBLY	1	
23	4X7-24612-00-00	. GASKET, CAP	1	
24	98506-05010-00	SCREW, PAN HEAD	1	
25	1NH-24161-11-00	EMBLEM 1	1	
26	1NH-24162-11-00	EMBLEM 2	1	
27	1AA-2176E-00-00	PLATE	1	

FUEL TANK XJ700XSC

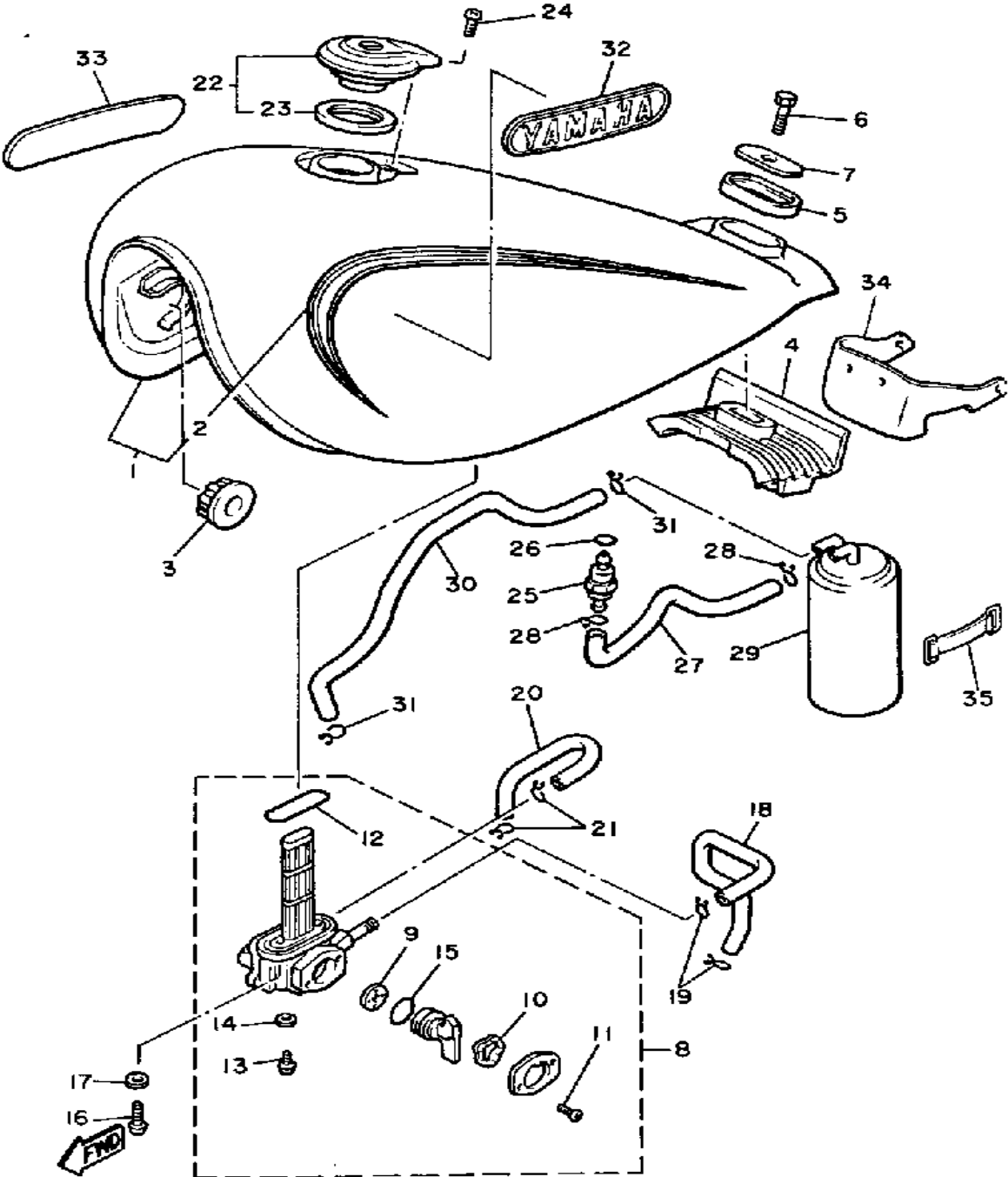


1NH110-6450

Ref. No.	Part Number	Description	Qty	Remarks
1	1FJ-24110-00-03	FUEL TANK	1	
	1FJ-24110-00-04	FUEL TANK	1	
2	1MY-24240-00-00	. GRAPHIC SET	1	
	1MY-24240-10-00	. GRAPHIC SET		
3	26H-25181-00-00	AXLE, WHEEL	2	
4	1AA-24182-00-00	DAMPER, LOCATING 2	1	
5	3Y6-24183-00-00	DAMPER, LOCATING 3	1	
6	97313-08030-00	BOLT, HEXAGON	1	
7	12R-24186-00-00	WASHER, SPECIAL	1	
8	31A-24500-01-00	FUEL COCK ASSEMBLY 1 ...	1	
9	16G-24523-00-00	. VALVE	1	
10	16G-24518-00-00	. WASHER, WAVE	1	
11	98580-03008-00	. SCREW, PAN HEAD	2	
12	2G2-24512-00-00	. GASKET	1	
13	98580-06008-00	. SCREW, PAN HEAD	1	
14	2G2-24522-00-00	. GASKET	1	
15	2G2-24534-00-00	. SEAL, COCK	1	
16	90149-06008-00	SCREW	2	
17	90202-05187-00	WASHER, PLATE	2	
18	1AA-24311-00-00	PIPE, FUEL 1	1	
19	90467-10008-00	CLIP	2	
20	90445-09531-00	HOSE	1	
21	90467-08021-00	CLIP	2	
22	20K-24602-02-00	CAP ASSEMBLY	1	
23	4X7-24612-00-00	. GASKET, CAP	1	
24	98506-05010-00	SCREW, PAN HEAD	1	
25	20K-24180-00-00	ROLL OVER VALVE ASSEMBLY	1	
26	93210-10166-00	O-RING	1	

CONTINUED ON NEXT FRAME ►

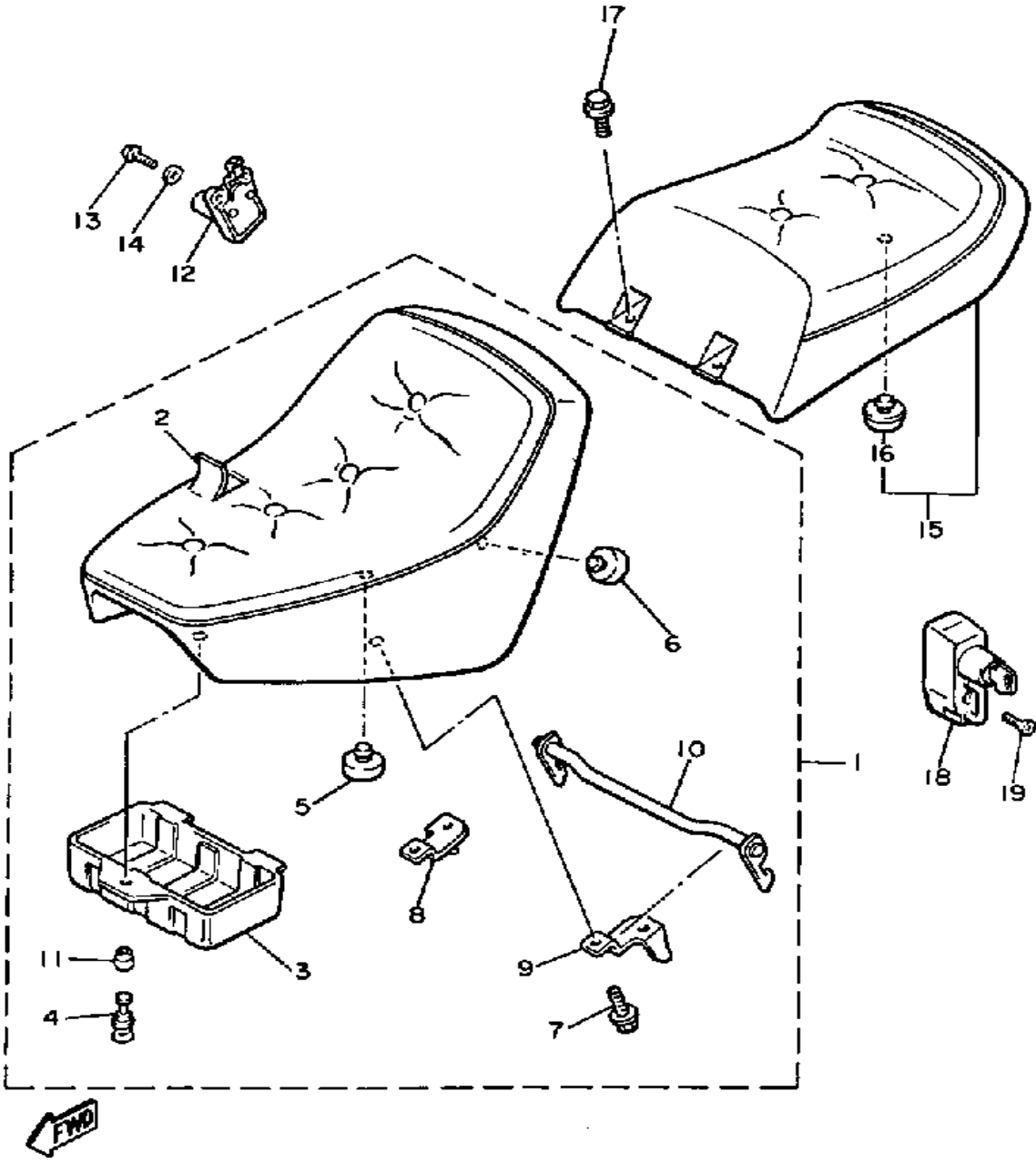
FUEL TANK XJ700XSC



1NH110-6450

Ref. No.	Part Number	Description	Qty	Remarks
27	(1FJ-24376-00-00)	PIPE, JOINT 1	1	
28	90467-09006-00	CLIP	2	
29	(1FJ-24170-00-00)	CANISTER ASSEMBLY	1	
30	(1FJ-24377-00-00)	PIPE, JOINT 3	1	
31	90467-09006-00	CLIP	2	
32	1NH-24161-11-00	EMBLEM 1	1	
33	1NH-24162-11-00	EMBLEM 2	1	
34	1AA-2176E-00-00	PLATE	1	
35	122-82131-00-00	BAND, BATTERY	1	

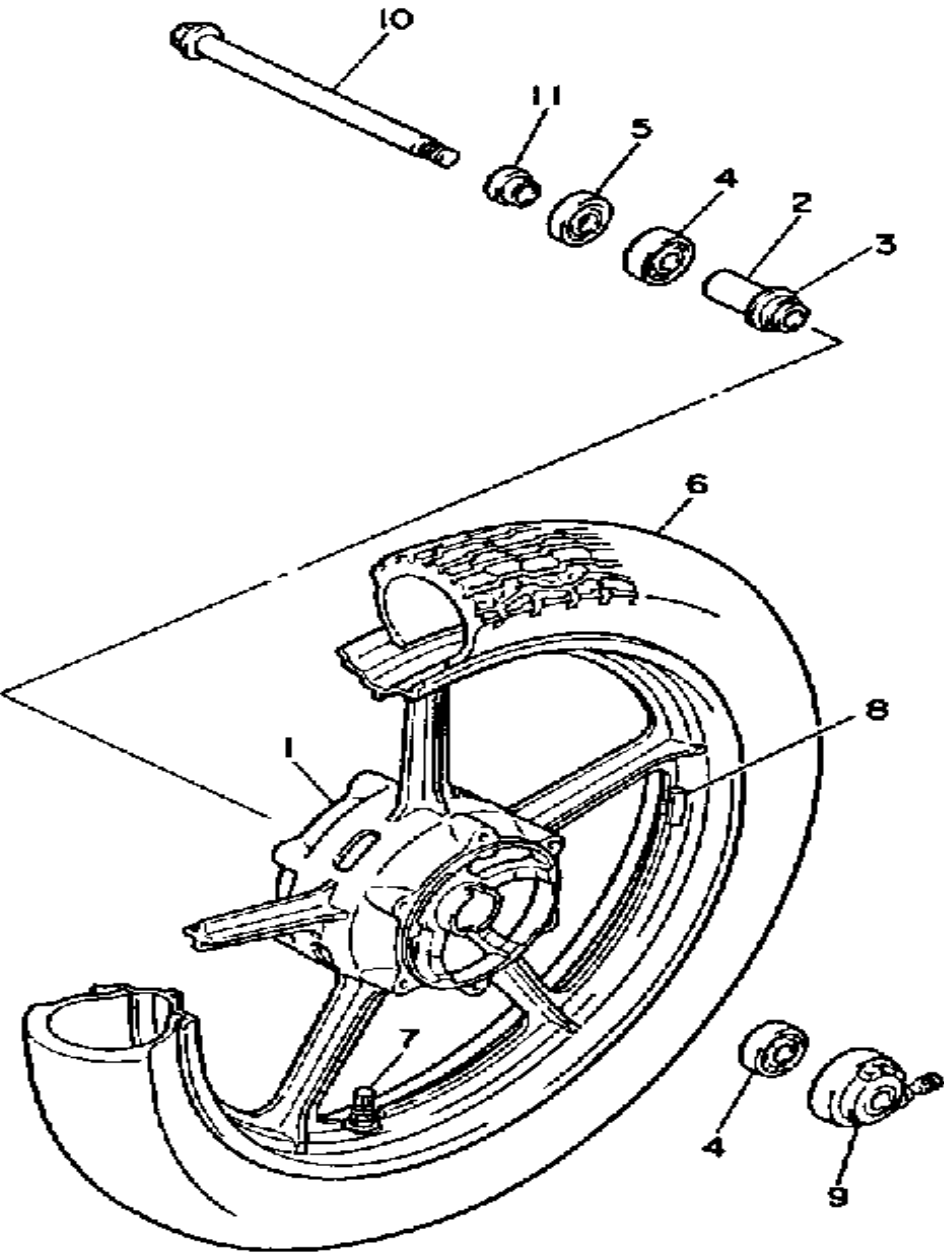
SEAT



1AA110-5290

Ref. No.	Part Number	Description	Qty	Remarks
1	1AA-24710-11-00	SINGLE SEAT ASSEMBLY (1AA-24710-10)	1	
2	1AA-W2478-00-00	. COVER, SINGLE SEAT (1AA-24711-10)	1	
3	1AA-2473R-00-00	. BOX 1	1	
4	4X7-2473V-02-00	. PLUNGER	1	
5	371-27114-00-00	. STOPPER, MAIN STAND	1	
6	22W-24741-00-00	. PAD, SEAT	2	
7	95811-06016-00	. BOLT, FLANGE (95822-06016)	4	
8	(1AA-24738-00-00)	BRACKET, SEAT	1	
9	(1AA-24728-00-00)	BRACKET, SEAT	1	
10	1AA-24776-00-00	. LEVER, SEAT	1	
11	4X7-24742-02-00	. GROMMET	1	
12	23W-24705-00-00	SEAT LOCK ASSEMBLY (10L-24705-00)	1	
13	98506-06016-00	SCREW, PANHEAD	2	
14	92906-06600-00	WASHER	2	
15	1NH-24750-00-00	TANDEM SEAT ASSEMBLY	1	
16	1L9-24741-00-00	. PAD, SEAT	1	
17	90119-06088-00	BOLT, WITH WASHER	2	
18	26H-21308-00-00	HELMET HANGER ASSEMBLY (4R8-21308-00)	1	
19	90149-06154-00	SCREW	1	

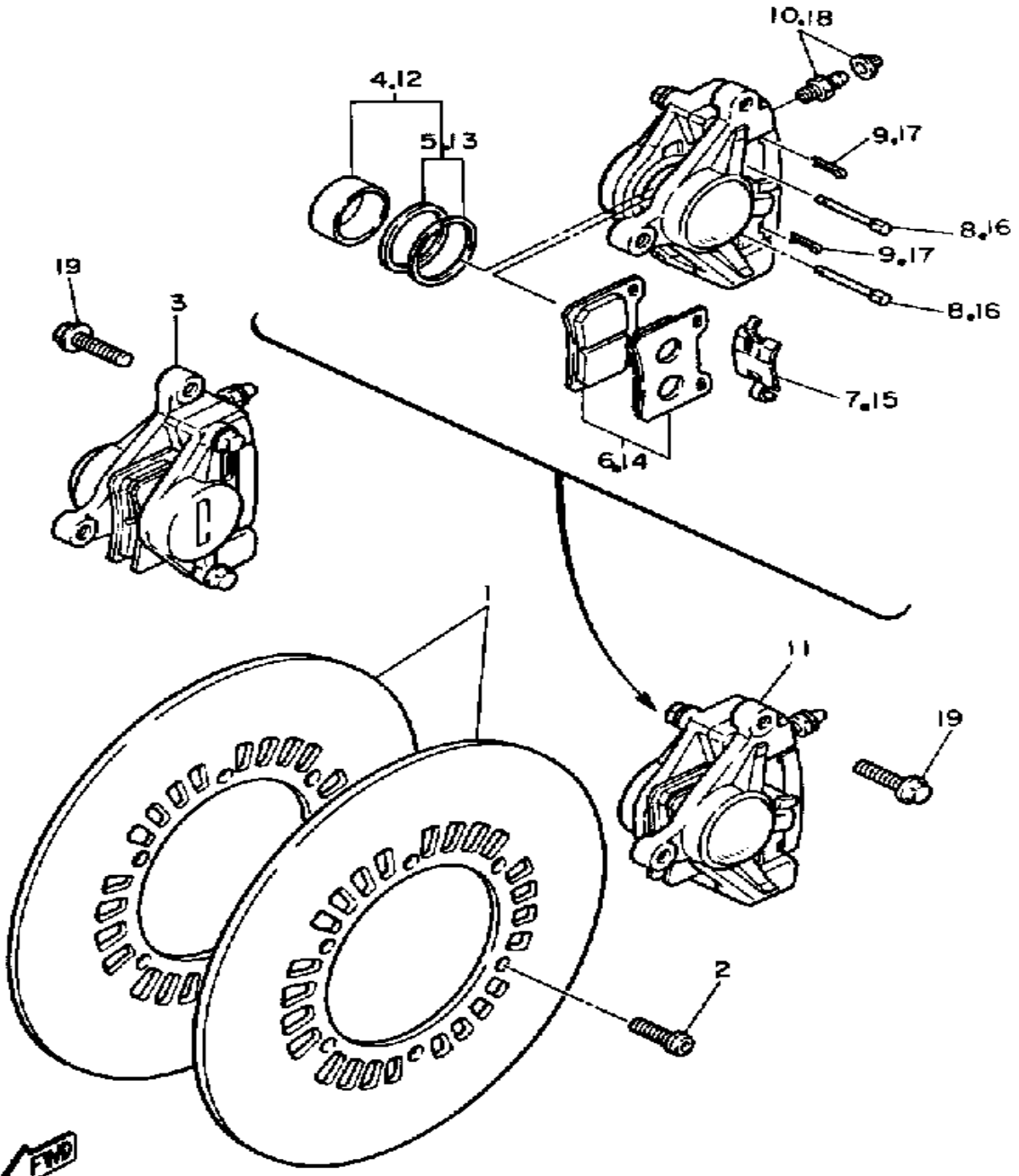
FRONT WHEEL



Ref. No.	Part Number	Description	Qty	Remarks
1	42H-25168-00-98	WHEEL, CAST FRONT	1	LW GLOSS BK
2	90560-15116-00	SPACER	1	
3	146-25115-00-00	FLANGE, SPACER 1	1	
4	93306-30202-00	BEARING	2	
5	93102-22014-00	OIL SEAL	1	
6	94110-194H3-00	TIRE (100/90-19 57H)	1	BRIDGESTONE
7	93900-00001-00	VALVE, RIM	1	BRIDGESTONE
8	29L-25398-00-00	BALANCER, WHEEL (10G)	1	U.N.
	29L-25398-10-00	BALANCER, WHEEL (20G)	1	U.N.
	29L-25398-20-00	BALANCER, WHEEL (30G)	1	U.N.
9	42X-25190-00-00	GEAR UNIT ASSEMBLY	1	
10	42X-25181-00-00	AXLE, WHEEL	1	
11	90387-15550-00	COLLAR	1	

FWD
1FG110-5280

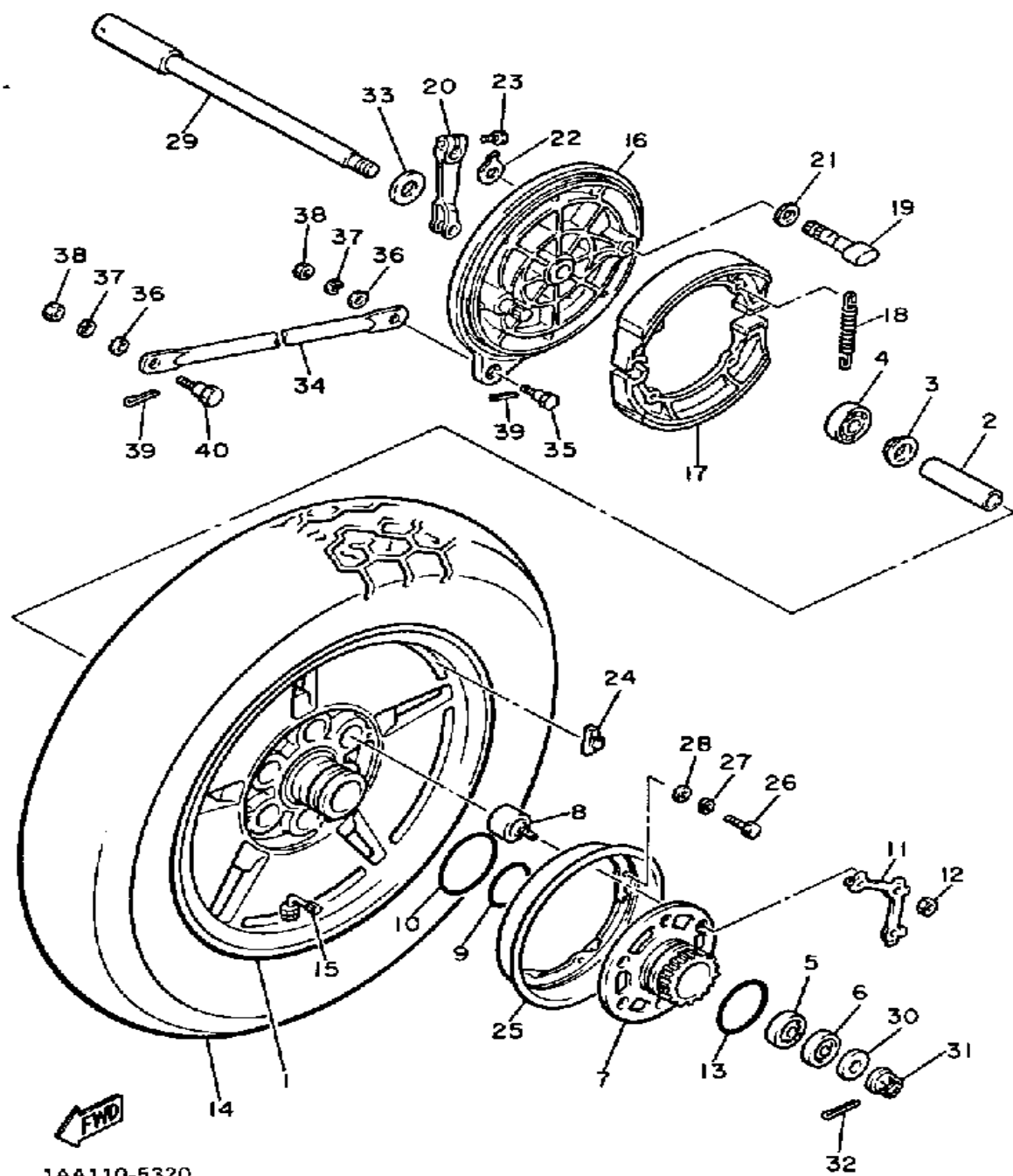
FRONT BRAKE - CALIPER



Ref. No.	Part Number	Description	Qty	Remarks
1	11U-25831-00-00	DISC, BRAKE	2	
2	90109-08718-00	BOLT	12	
3	42H-24810-00-00	UNAVAILABLE IN PRICE BOOK	1	
4	26H-W0057-00-00	. PISTON ASSEMBLY, CALIPER	1	
5	26H-W0047-00-00	.. CALIPER SEAL KIT	1	
6	26H-W0045-11-00	. BRAKE PAD KIT	1	
7	1WG-25919-00-00	. SUPPORT, PAD	1	
8	3HE-25924-00-00	. PIN, PAD	2	
9	3HE-25925-00-00	. CLIP	2	
10	1J3-W0048-00-00	. BLEED SCREW KIT	1	
11	42H-25810-11-00	CALIPER ASSEMBLY (LEFT) ..	1	
12	26H-W0057-00-00	. PISTON ASSEMBLY, CALIPER	1	
13	26H-W0047-00-00	.. CALIPER SEAL KIT	1	
14	26H-W0045-11-00	. BRAKE PAD KIT	1	
15	1WG-25919-00-00	. SUPPORT, PAD	1	
16	3HE-25924-00-00	. PIN, PAD	2	
17	3HE-25925-00-00	. CLIP	2	
18	1J3-W0048-00-00	. BLEED SCREW KIT	1	
19	90105-10638-00	BOLT, WASHER BASED	4	

42W110-4290

REAR WHEEL

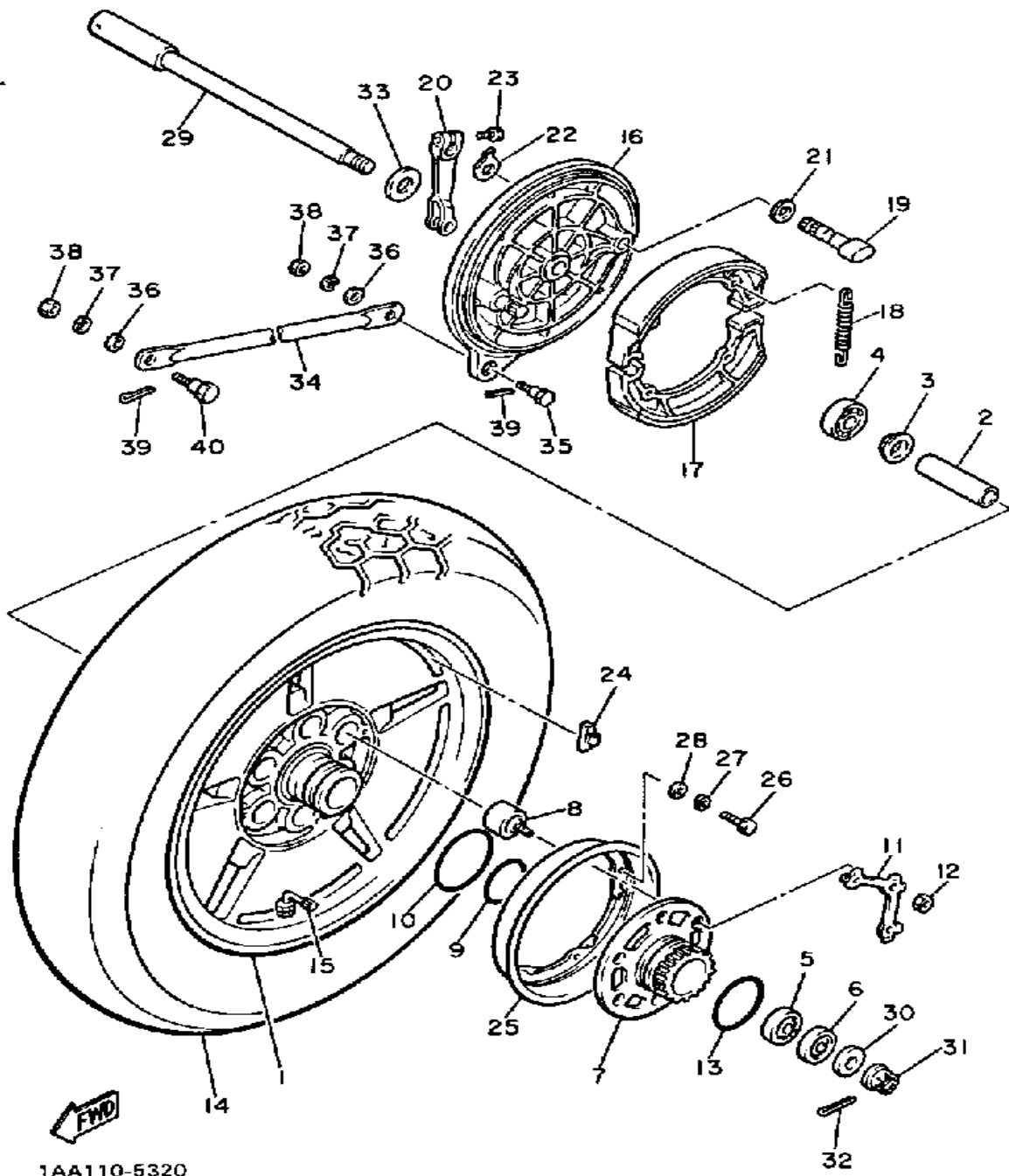


1AA110-5320

Ref. No.	Part Number	Description	Qty	Remarks
1	1AA-25338-00-98	WHEEL, CAST REAR	1	LW GLOSS BK
2	90560-17125-00	SPACER	1	
3	146-25315-00-00	FLANGE, SPACER	1	
4	93306-30309-00	BEARING	1	
5	93306-20310-00	BEARING	1	
6	93306-20310-00	BEARING	1	
7	16G-25366-01-00	CLUTCH, HUB	1	
8	42H-25364-00-00	DAMPER	6	
9	93210-48530-00	O-RING	1	
10	93210-59531-00	O-RING	1	
11	16G-25412-00-00	WASHER	2	
12	95701-10500-00	NUT, FLANGE (95702-10500)	6	
13	93210-57428-00	O-RING	1	
14	94113-161J2-00	130/90-16 G528 BS	1	BRIDGESTONE
15	93900-00016-00	VALVE, RIM	1	BRIDGESTONE
16	4K0-25321-01-00	PLATE BRAKE SHOE	1	
17	5A8-W2536-00-00	BRAKESHOE SET-2PCS	2	
18	90507-20002-00	SPRING, TENSION	2	
19	4H7-25351-00-00	CAMSHAFT	1	
20	4V8-25355-00-00	LEVER, CAMSHAFT	1	
21	90201-14218-00	WASHER, PLATE	1	
22	4H7-2533A-02-00	PLATE, INDICATOR	1	
23	90101-06291-00	BOLT	1	
24	29L-25398-00-00	BALANCER, WHEEL (10G)	1	U.N.
	29L-25398-10-00	BALANCER, WHEEL (20G)	1	U.N.
	29L-25398-20-00	BALANCER, WHEEL (30G)	1	U.N.
25	16G-25327-00-00	COVER, PLATE	1	
26	97321-05020-00	BOLT, HEXAGON	4	
27	92990-05100-00	WASHER, SPRING	4	

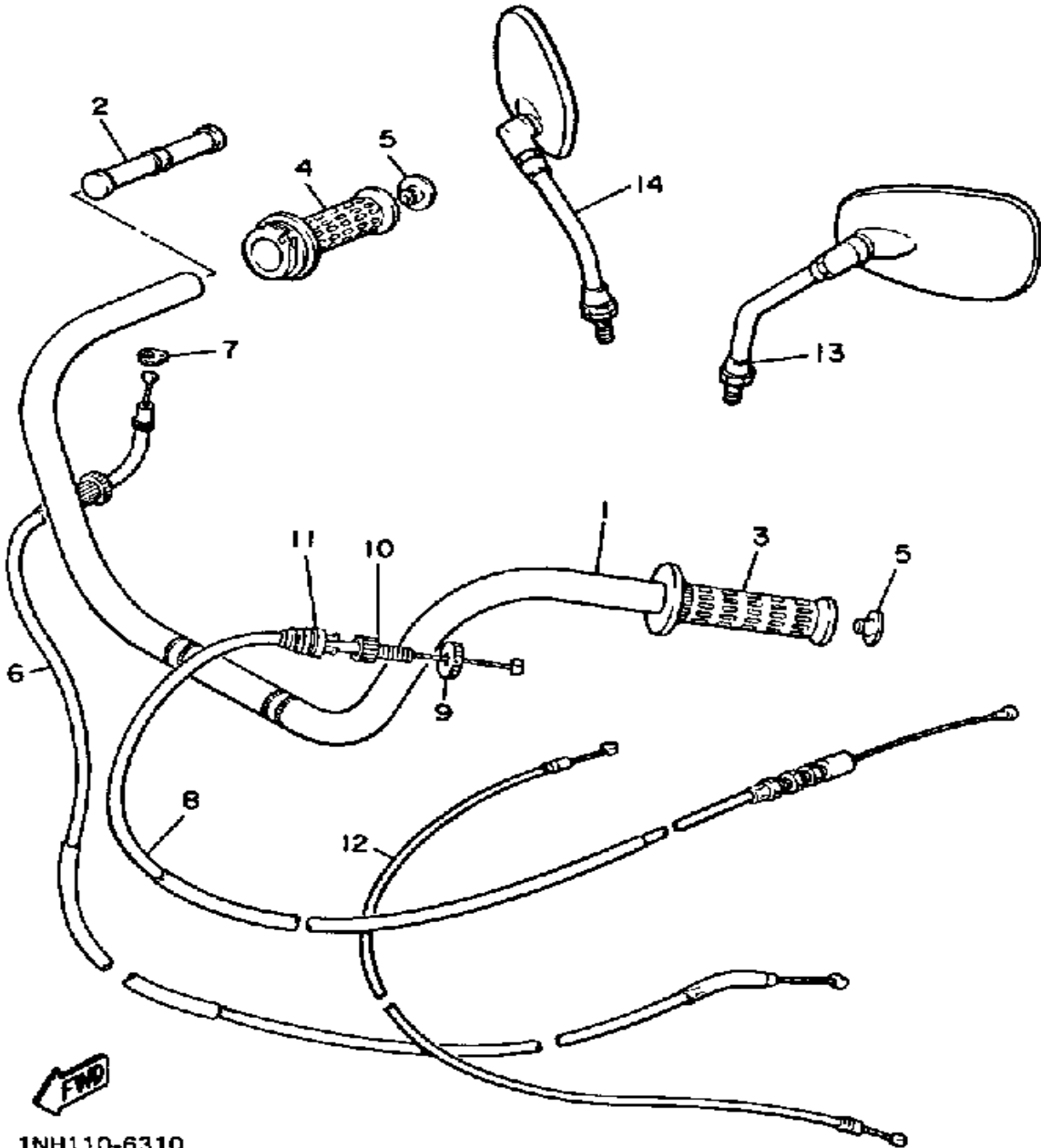
CONTINUED ON NEXT FRAME ►

REAR WHEEL



Ref. No.	Part Number	Description	Qty	Remarks
28	92901-05600-00	WASHER, PLATE	4	
29	4H7-25381-00-00	AXLE, WHEEL	1	
30	90201-144J5-00	WASHER, PLATE	1	
31	90171-14031-00	NUT, CASTLE	1	
32	91401-30030-00	PIN, COTTER	1	
33	56W-25377-00-00	COLLAR, WHEEL	1	
34	3H0-25371-00-00	BAR, TENSION	1	
35	90109-08406-00	BOLT	1	
36	92901-08600-00	WASHER	2	
37	92990-08100-00	WASHER	2	
38	95303-08700-00	NUT	2	
39	91490-20020-00	PIN, COTTER	2	
40	90109-08368-00	BOLT	1	

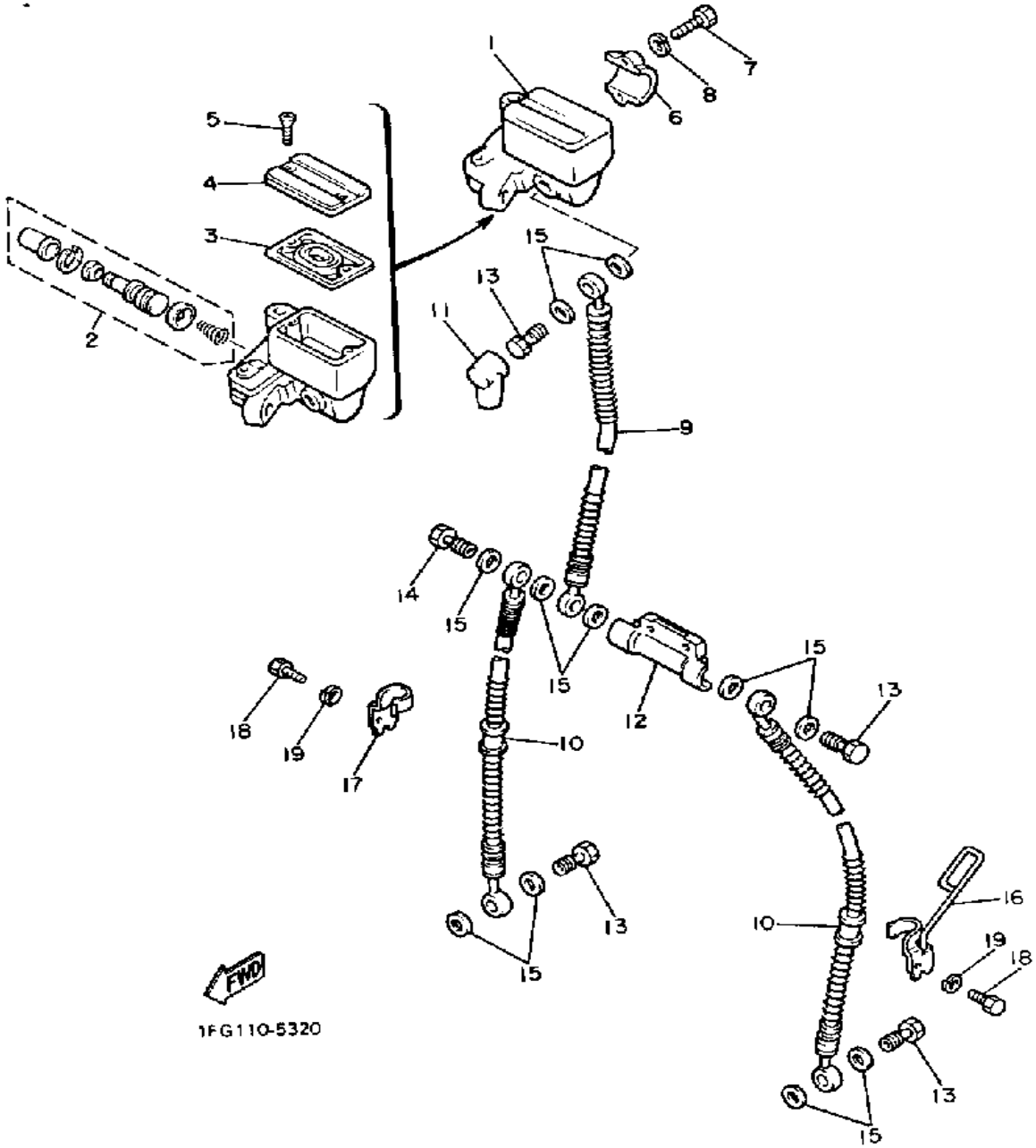
HANDLEBAR - CABLE



1NH110-6310

Ref. No.	Part Number	Description	Qty	Remarks
1	1AA-26111-00-00	HANDLEBAR	1	
2	3F9-W2612-00-00	WEIGHT	2	
3	42X-26241-00-00	GRIP LH	1	
4	42X-26240-00-00	GRIP ASSEMBLY	1	
5	26H-2628J-00-00	CAP, grip	2	
6	1AA-26311-01-00	CABLE, THROTTLE 1	1	
7	5H0-26393-00-00	HOLDER	1	
8	1AA-26335-00-00	CABLE, CLUTCH	1	
9	90179-08148-00	NUT	1	
10	90123-08046-00	BOLT	1	
11	1E6-26342-00-00	BOOT, CABLE	1	
12	1AA-26331-00-00	CABLE, STARTER 1	1	
13	1AA-26280-02-00	REAR VIEW MIRROR ASSEMBLY (LEFT)	1	
14	1AA-26290-02-00	REAR VIEW MIRROR ASSEMBLY (RIGHT)	1	

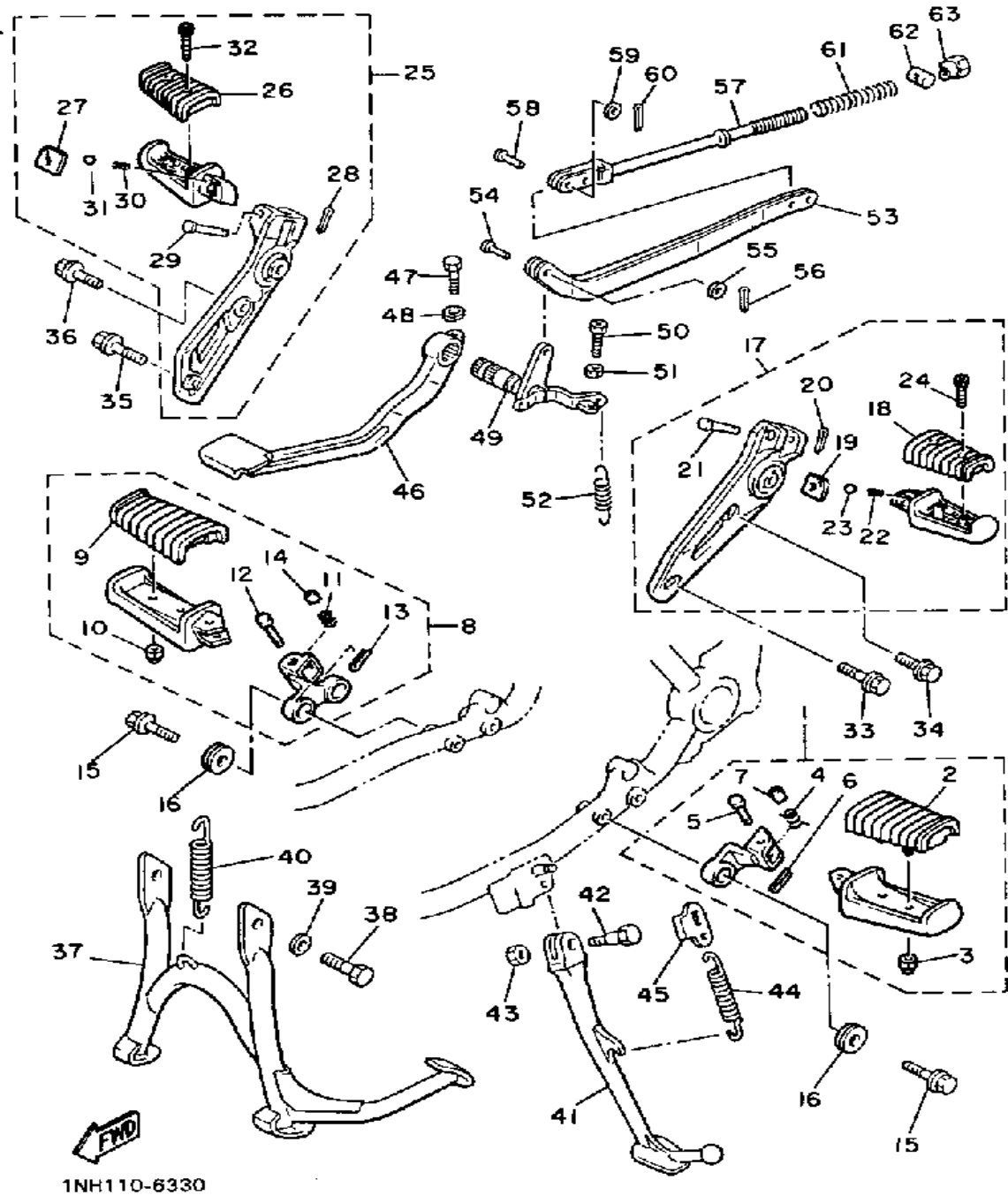
FRONT MASTER CYLINDER



1FG110-5320

Ref. No.	Part Number	Description	Qty	Remarks
1	4G0-25850-01-00	MSTR CYLINDER ASSEMBLY	1	
2	4K0-W0041-00-00	. CYLINDER KIT, MASTER	1	
3	4K0-25854-00-00	. DIAPHRAGM RESERVOR	1	
4	3GM-25852-01-00	. CAP, RESERVOIR	1	
5	98706-04012-00	. SCREW, FLAT HEAD	2	
6	4L0-25867-00-00	BRACKET, MASTER CYLINDER	1	
7	97016-06025-00	BOLT	2	
8	92906-06100-00	WASHER, SPRING	2	
9	1AA-25872-01-00	HOSE, BRAKE 1	1	
10	1AA-25873-01-00	HOSE, BRAK 2	2	
11	306-25862-00-00	BOOT, MASTER CYLINDER	1	
12	1AA-25885-00-00	JOINT	1	
13	90401-10034-00	BOLT, UNION	4	
14	90401-10044-00	BOLT, UNION	1	
15	90201-10118-00	WASHER, PLATE	11	
16	42X-25875-00-00	HOLDER, BRAKE HOSE 1	1	
17	42X-25876-00-00	HOLDER, BRAKE HOSE 2	1	
18	97011-06010-00	BOLT	2	
19	92995-06100-00	WASHER, SPRING	2	

STAND - FOOTREST

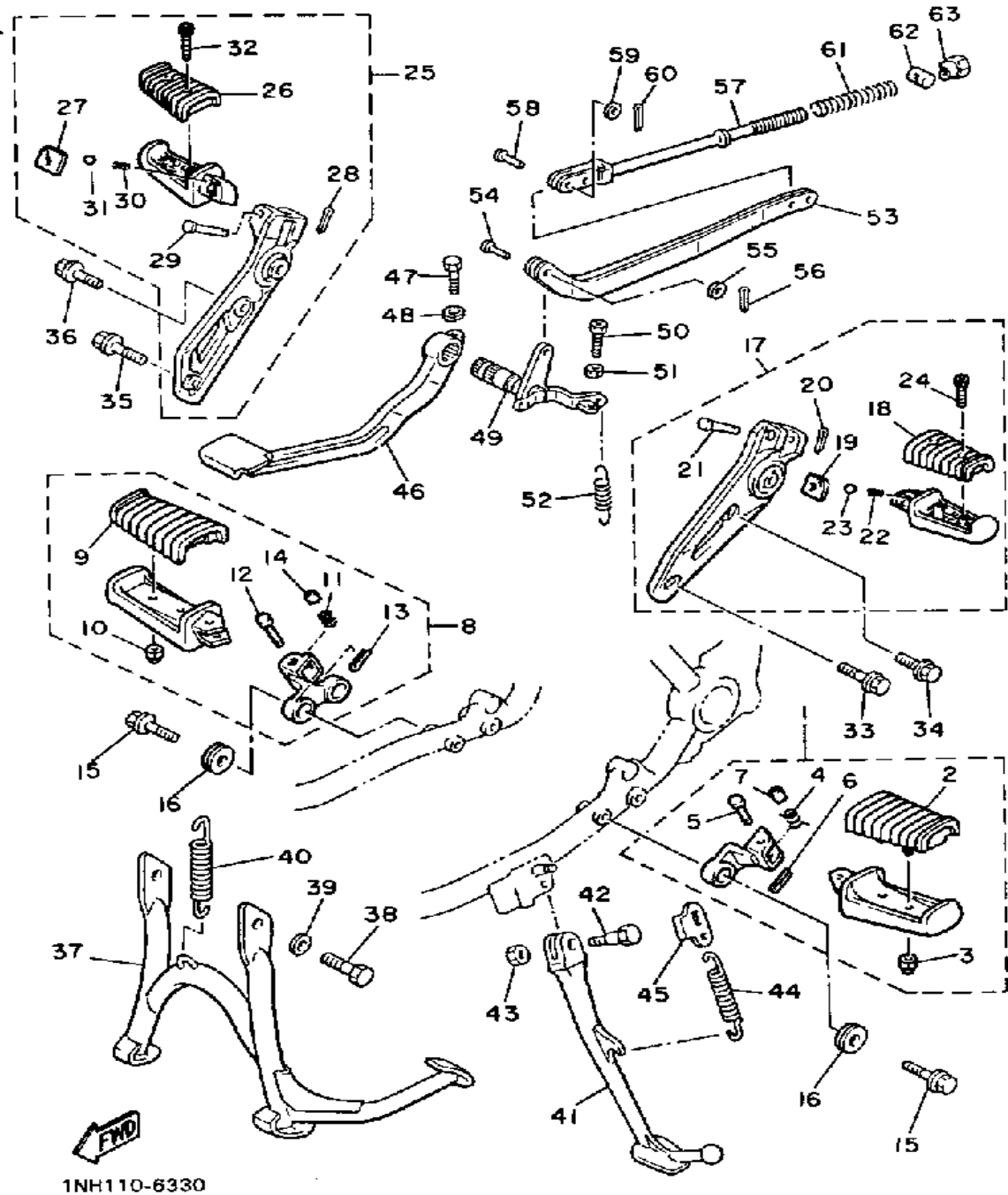


Ref. No.	Part Number	Description	Qty	Remarks
1	1NH-27410-00-R4	FRT FOOTREST ASSEMBLY L (LEFT)	1	
2	1NH-27413-00-00	. COVER, FOOTREST	1	
3	90176-06066-00	. NUT, CROWN	2	
4	90508-18696-00	. SPRING, TORSION	1	
5	91701-08038-00	. PIN, CLEVIS	1	
6	91401-25020-00	. PIN, COTTER	1	
7	90387-087K5-00	. COLLAR	1	
8	1NH-27420-00-R4	FRT FOOTREST ASSEMBLY R (RIGHT)	1	
9	1NH-27413-00-00	. COVER, FOOTREST	1	
10	90176-06066-00	. NUT, CROWN	2	
11	90508-18696-00	. SPRING, TORSION	1	
12	91701-08038-00	. PIN, CLEVIS	1	
13	91401-25020-00	. PIN, COTTER	1	
14	90387-087K5-00	. COLLAR	1	
15	90105-08211-00	BOLT, WASHER BASED	4	
16	1AA-27415-00-00	PLATE, footrest	4	
17	1NH-Y2743-00-00	REAR FTRST ASSEMBLY 1	1	
18	1NH-27433-00-00	. COVER, REAR FOOTREST	1	
19	1HX-27437-00-00	. WASHER, SPECIAL	1	
20	91490-16020-00	. PIN, COTTER	1	
21	91701-06038-00	. PIN, CLEVIS	1	
22	90501-12743-00	. SPRING, COMPRESSION	1	
23	93501-04011-00	. BALL	1	
24	92016-06012-00	. BOLT, BUTTON HEAD	2	
25	1NH-Y2744-00-00	REAR FTRST ASSEMBLY 2	1	
26	1NH-27433-00-00	. COVER, REAR FOOTREST	1	
27	1HX-27437-00-00	. WASHER, SPECIAL	1	

1NH110-6330

CONTINUED ON NEXT FRAME ►

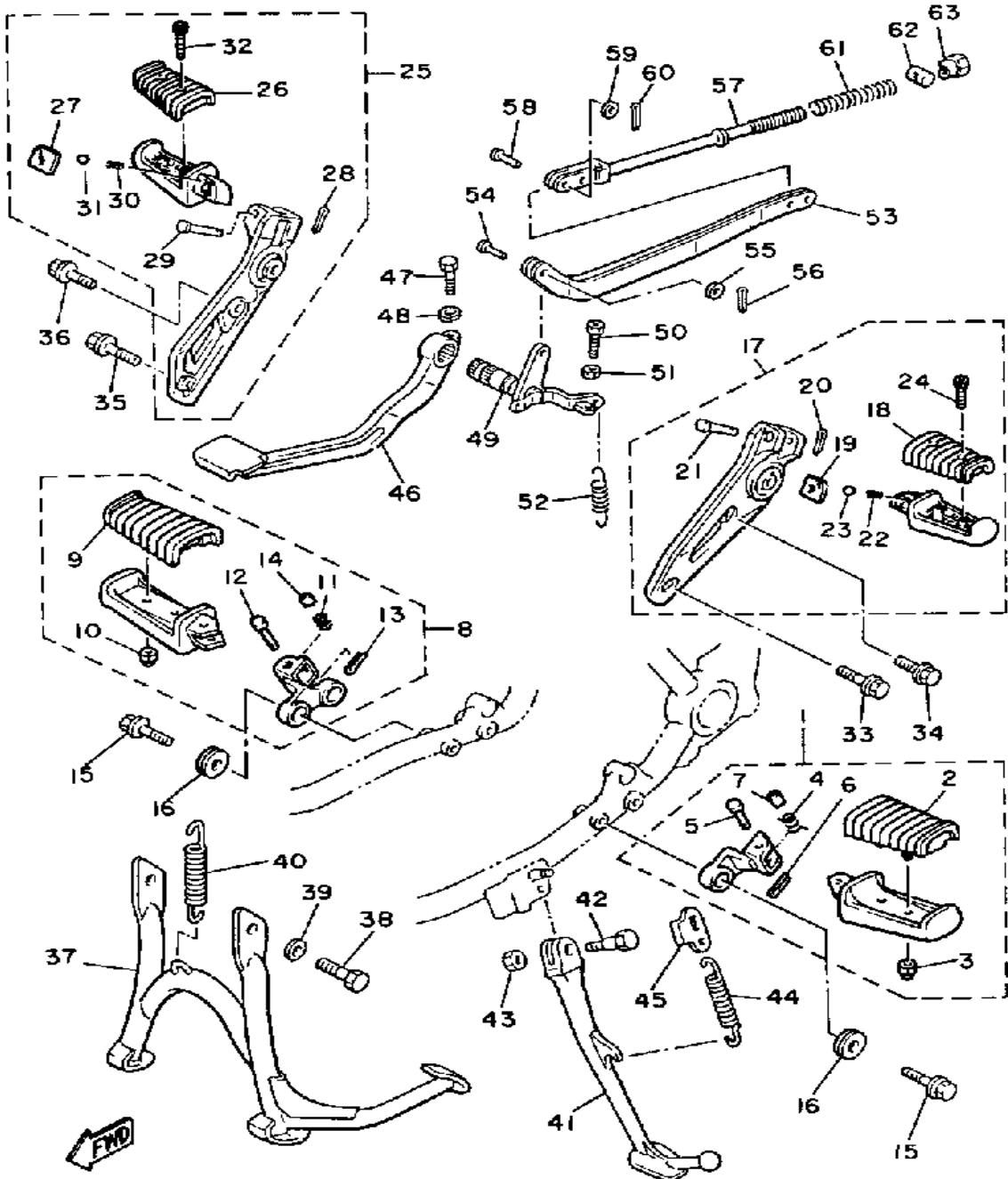
STAND - FOOTREST



Ref. No.	Part Number	Description	Qty	Remarks
28	91490-16020-00	. PIN, COTTER	1	
29	91701-06038-00	. PIN, CLEVIS	1	
30	90501-12743-00	. SPRING, COMPRESSION	1	
31	93501-04011-00	. BALL	1	
32	92016-06012-00	. BOLT, BUTTON HEAD	2	
33	95023-08035-00	BOLT, FLANGE	1	
34	95023-08020-00	BOLT	1	
35	95023-08035-00	BOLT, FLANGE	1	
36	95023-00-	UNAVAILABLE IN PRICE BOOK	1	
37	1AA-27111-00-R4	STAND, MAIN	1	BLACK
38	97011-10016-00	BOLT, HEXAGON	2	
39	90201-10752-00	WASHER, PLATE	2	
40	90506-35149-00	SPRING, TENSION	1	
41	1AA-27311-01-R4	STAND, SIDE (1AA-27311-00-R4)	1	BLACK
42	90109-10590-00	BOLT	1	
43	90185-10037-00	NUT, SELF-LOCKING	1	
44	90506-29266-00	SPRING, TENSION	1	
45	2KT-27315-00-00	LINK, SIDE STAND	1	
46	1AA-27211-00-93	PEDAL, BRAKE	1	CHROME-PLATED
47	90109-06468-00	BOLT	1	
48	92995-06100-00	WASHER, SPRING	1	
49	1AA-27212-00-00	SHAFT, BRAKE PEDAL	1	
50	90153-06008-00	SCREW, HEXAGON	1	
51	90170-06184-00	NUT, HEXAGON	1	
52	90506-20193-00	SPRING, TENSION	1	
53	1AA-27241-00-00	ROD, JOINT	1	
54	90240-06006-00	PIN, CLEVIS	1	
55	92990-06200-00	WASHER	1	

CONTINUED ON NEXT FRAME ►

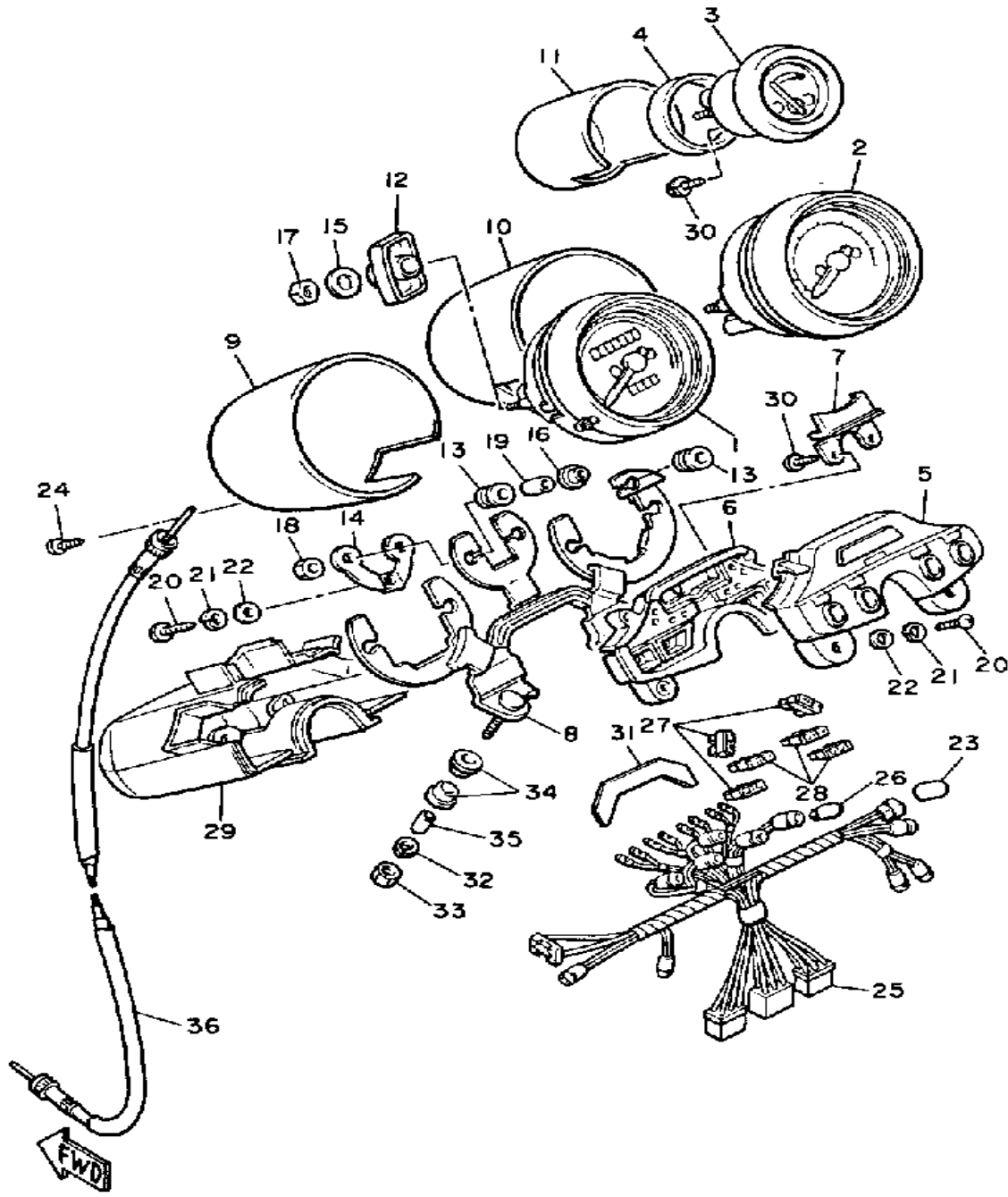
STAND - FOOTREST



1NH110-6330

Ref. No.	Part Number	Description	Qty	Remarks
56	91490-20020-00	PIN, COTTER	1	
57	1AA-27231-00-00	ROD, BRAKE	1	
58	90240-06103-00	PIN, CLEVIS	2	
59	92990-06200-00	WASHER	2	
60	91490-20020-00	PIN, COTTER	2	
61	90501-10245-00	SPRING, COMPRESSION	1	
62	90249-12008-00	PIN	1	
63	90179-06411-00	NUT	1	

METER

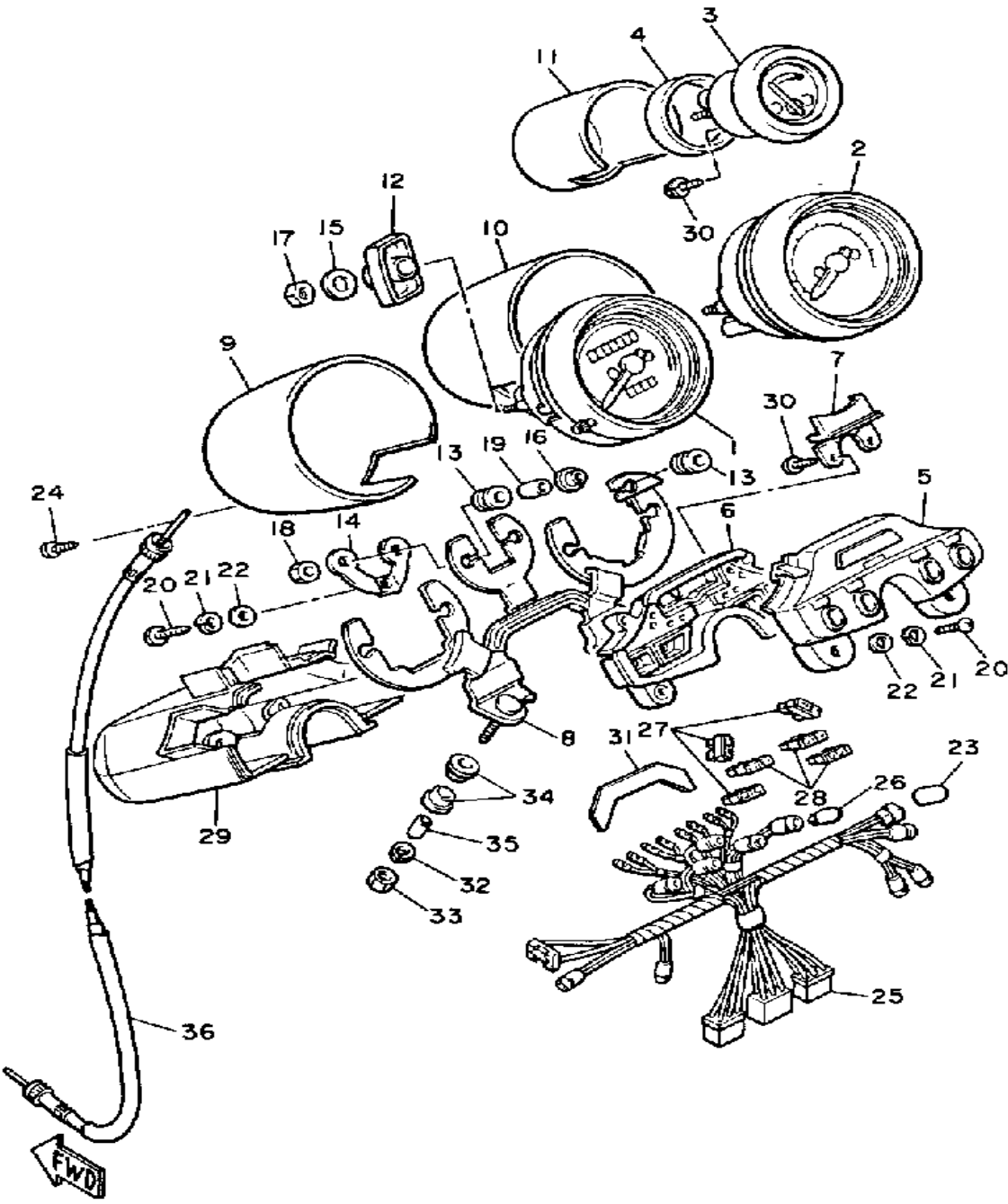


1MY171-6400

Ref. No.	Part Number	Description	Qty	Remarks
1	1AA-83570-A0-00	SPEEDOMETER ASSEMBLY ..	1	
2	1FG-83540-00-00	TACHOMETER ASSEMBLY ...	1	
3	1AA-83590-00-00	WATER TEMP ASSEMBLY ...	1	
4	1AA-83592-00-00	DAMPER	1	
5	1AA-8353G-00-00	CASE, UPPER	1	
6	1AA-8353H-00-00	CASE, INNER	1	
7	1AA-83568-00-00	COVER	1	
8	1AA-83519-00-00	BRACKET, METER	1	
9	42X-83507-00-00	COVER, SPEEDOMETER	1	
10	42X-83508-00-00	COVER, TACHOMETER	1	
11	1AA-83579-00-00	COVER, METER 2	1	
12	1FG-83523-00-00	DAMPER	4	
13	1FK-83523-00-00	DAMPER	3	
14	1AA-8355Y-00-00	BRACKET, METER 2	1	
15	90201-05031-00	WASHER, PLATE	4	
16	1AA-83524-00-00	WASHER, SPECIAL	2	
17	95380-05600-00	NUT	4	
18	95301-04600-00	NUT	2	
19	1AA-83522-00-00	COLLAR	2	
20	98580-04008-00	SCREW, PAN HEAD	5	
21	92901-04600-00	WASHER, PLATE	5	
22	92901-04600-00	WASHER, PLATE	5	
23	1FK-83535-00-00	TUBE	5	
24	90164-04009-00	SCREW, TAPPING	8	
25	1AA-83509-00-00	SOCKET CORD ASSEMBLY ..	1	
26	42X-83517-00-00	BULB (12V-3W)	11	
27	36Y-82151-00-00	FUSE (15A-BL)	3	
28	42X-82151-20-00	FUSE (10A)	3	
29	1AA-83559-00-00	COVER, METER	1	

CONTINUED ON NEXT FRAME ►

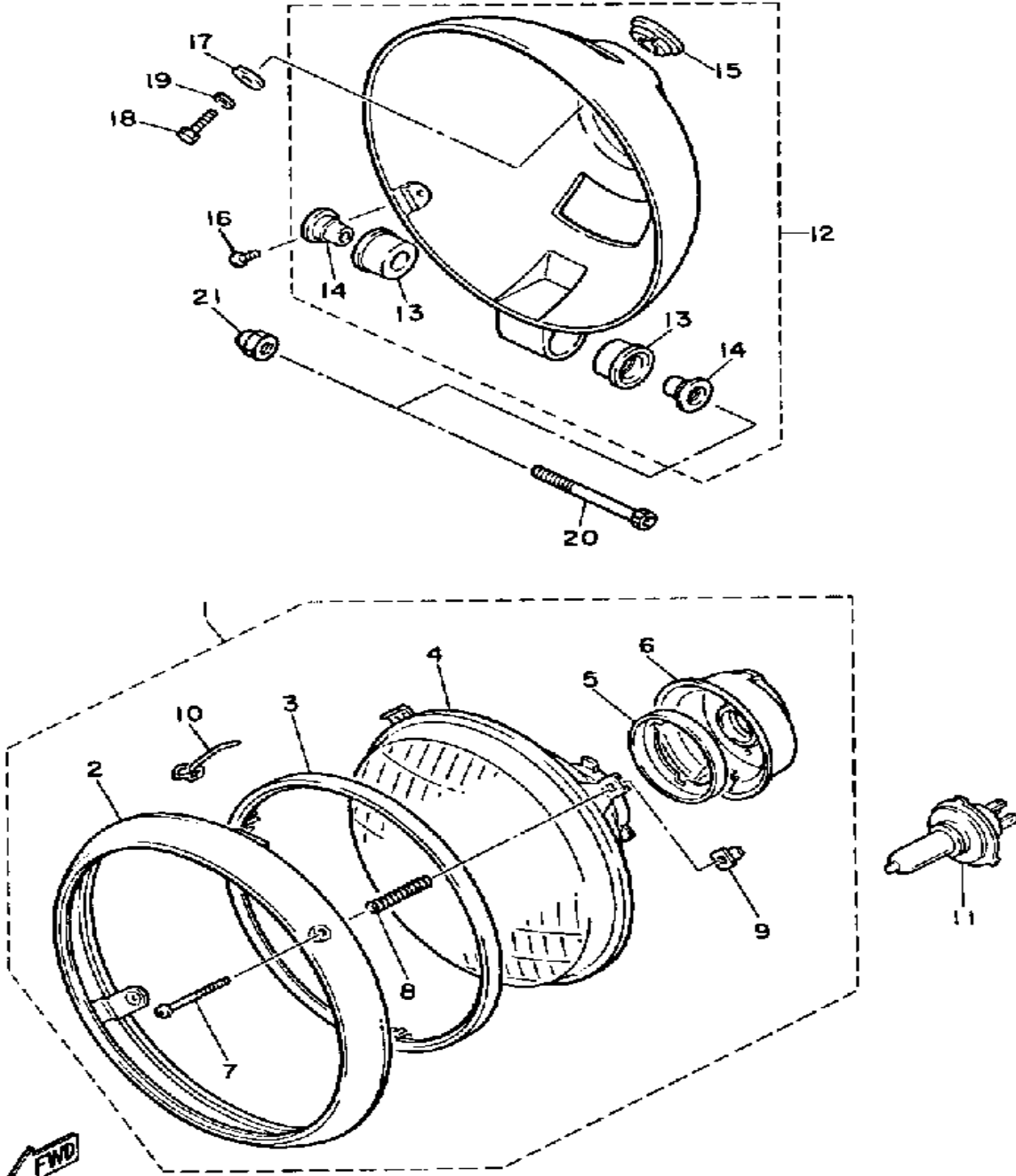
METER



1MY171-6400

Ref. No.	Part Number	Description	Qty	Remarks
30	90159-03102-00	SCREW, WITH WASHER	3	
31	55R-83579-00-00	COVER, METER 2	1	
32	92906-06100-00	WASHER, SPRING	2	
33	95316-06600-00	NUT	2	
34	584-83541-00-00	DAMPER	4	
35	90387-06249-00	COLLAR	2	
36	57A-83550-00-00	SPEEDOMETER CABLE ASSEMBLY	1	

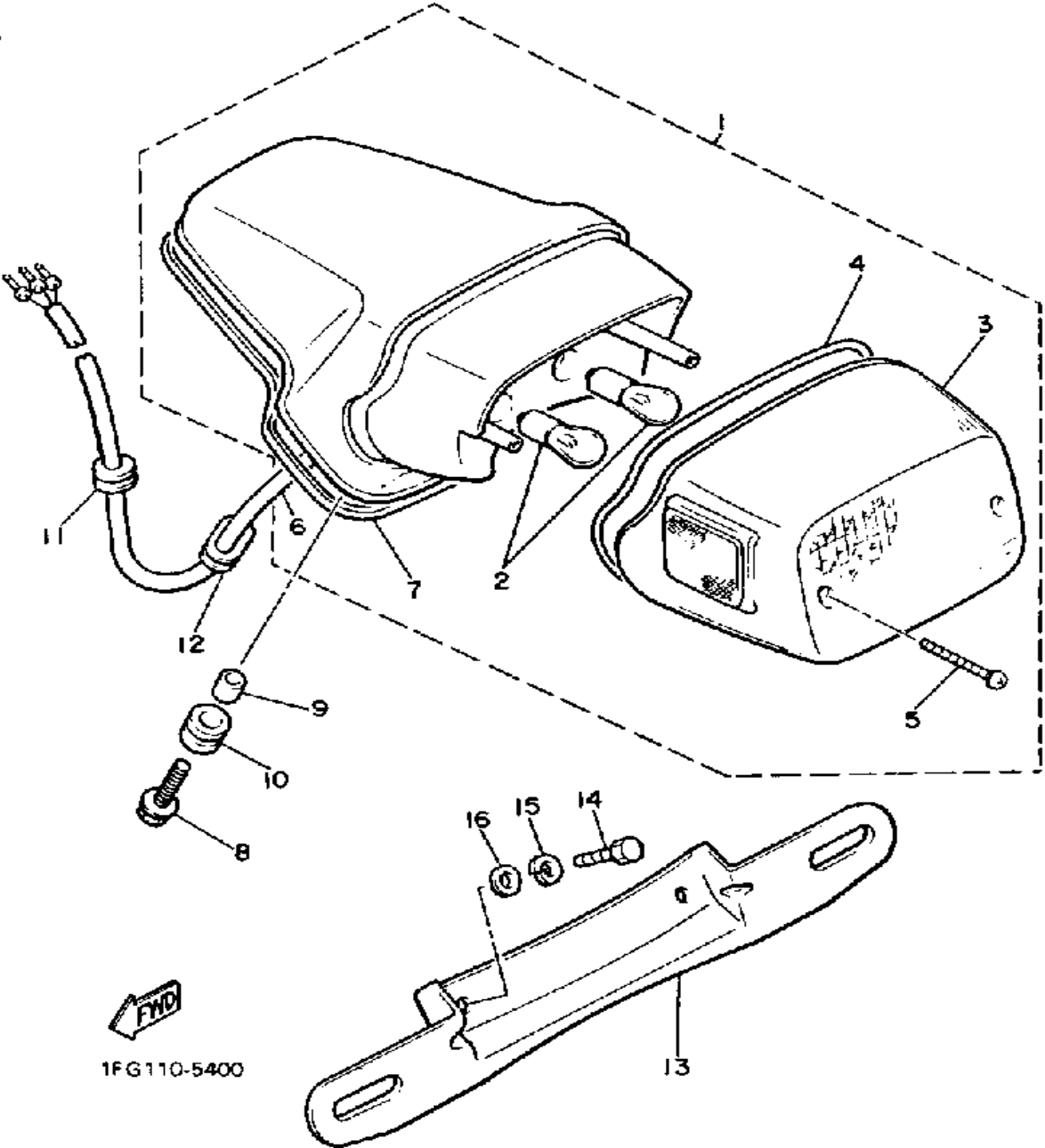
HEADLIGHT



Ref. No.	Part Number	Description	Qty	Remarks
1	42X-84303-A1-00	HEADLIGHT UNIT ASSEMBLY	1	
2	42X-84315-01-00	. RIM, HEADLIGHT	1	
3	5Y3-84395-00-00	. RING, RETAINING	1	
4	42X-84321-A0-00	. LENS ASSEMBLY	1	
5	2F9-84375-00-00	. SETTING PLATE, BULB	1	
6	2F9-84397-01-00	. COVER, SOCKET	1	
7	90157-04001-00	. SCREW, PAN HEAD	2	
8	1A0-84332-60-00	. SPRING, SCREW	2	
9	198-84334-60-00	. NUT, ADJUSTING	2	
10	1M1-84124-60-00	. SPRING, SET	1	
11	5V2-84314-00-XX	BULB, HL 12V60/55W (2F9-84314-00)	1	LM
12	42X-84330-01-00	BODY ASSEMBLY	1	
13	42X-84345-00-00	. DAMPER, HEADLIGHT	2	
14	42X-84338-00-00	. COLLAR, BODY FITTING	2	
15	42X-84366-00-00	. DAMPER, HEADLIGHT 1	1	
16	90157-05084-00	SCREW, PAN HEAD	2	
17	90201-06073-00	WASHER, PLATE	1	
18	97313-06016-00	BOLT, HEXAGON	1	
19	92995-06100-00	WASHER, SPRING	1	
20	95023-08045-00	BOLT	1	
21	95303-08800-00	NUT (CROWN) (95301-08800)	1	

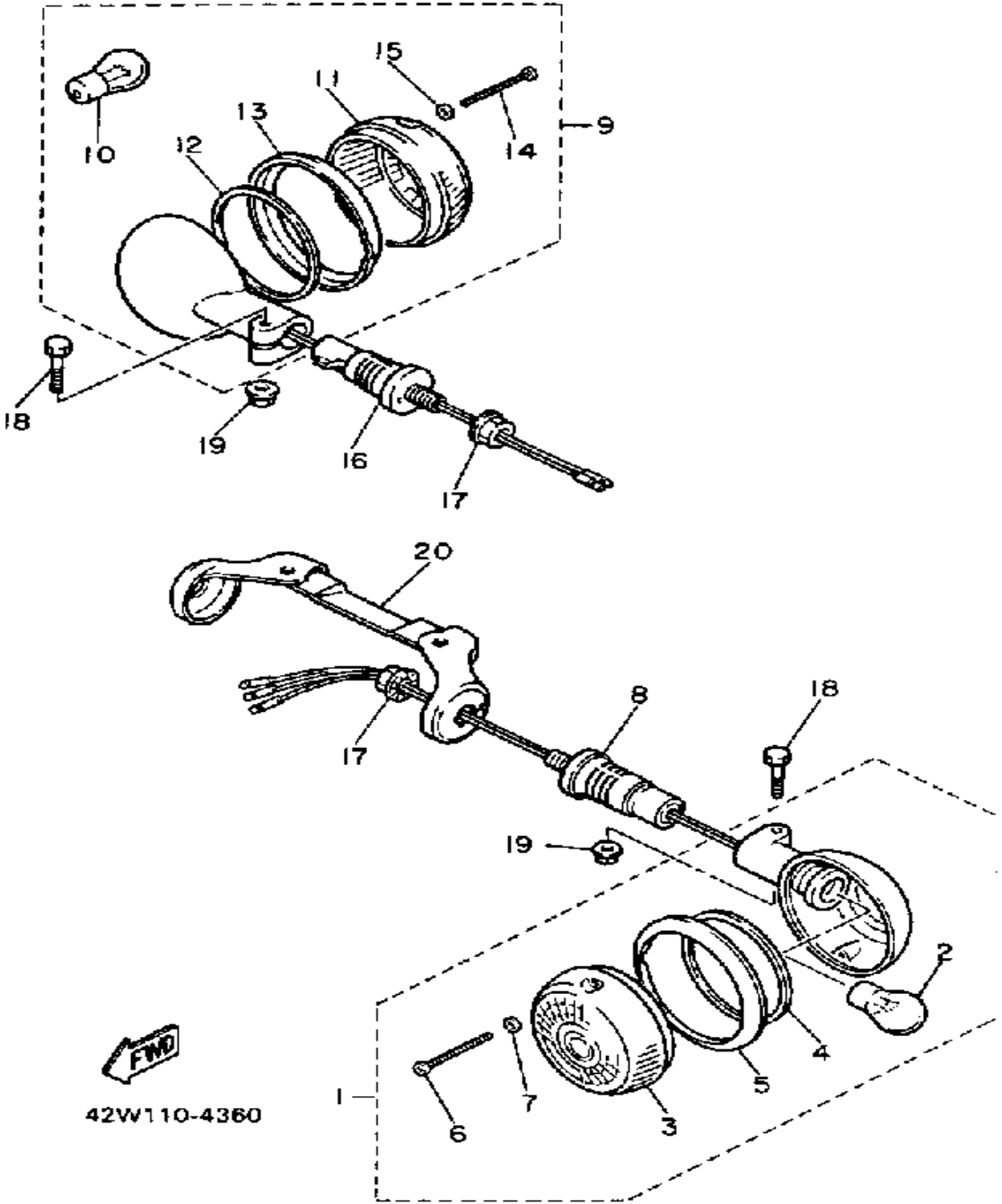
1FG110-5390

TAILLIGHT



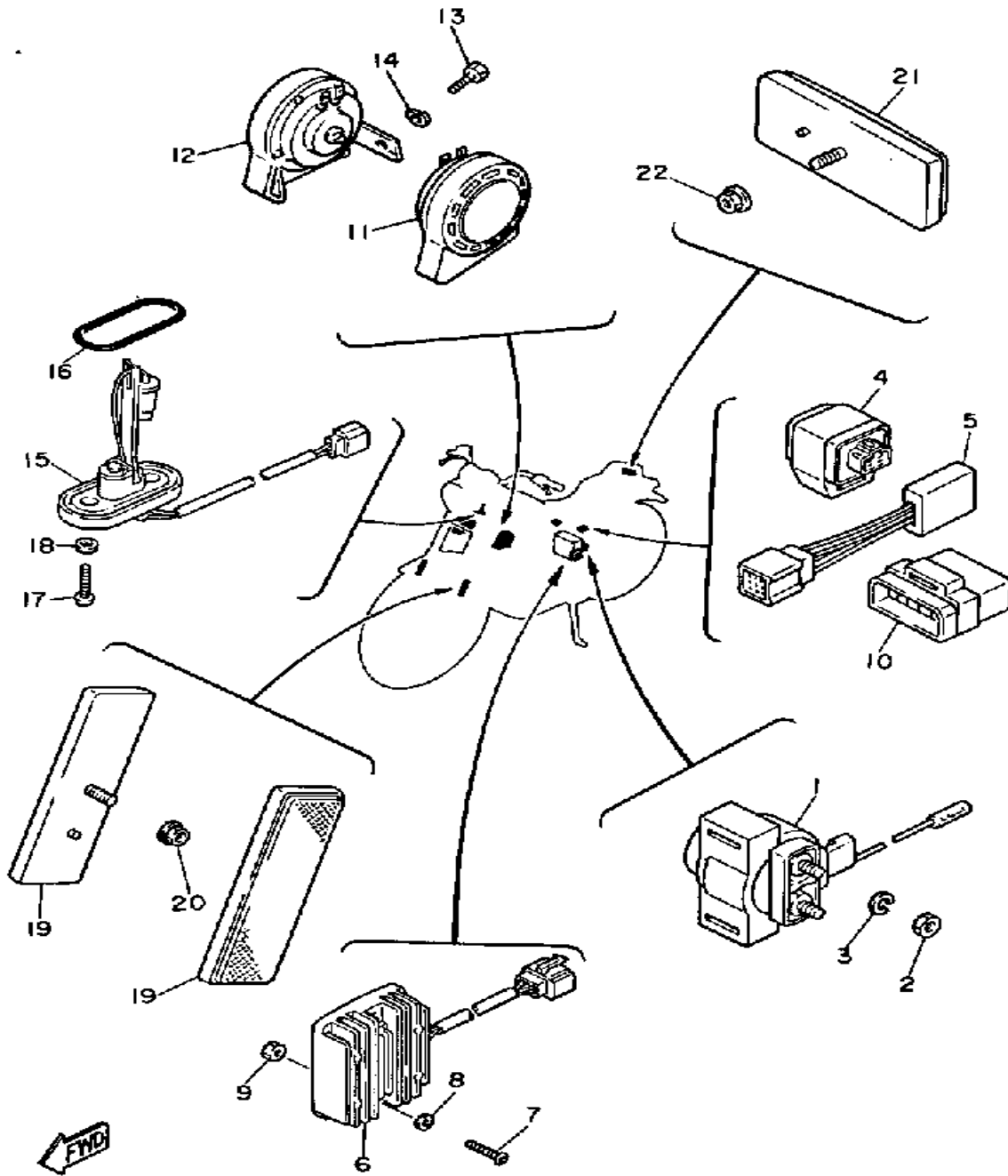
Ref. No.	Part Number	Description	Qty	Remarks
1	42X-84700-60-00	TAILLIGHT ASSEMBLY	1	
2	256-84714-61-00	. BULB (12V-27/8W)	2	
3	42X-84712-60-00	. UNAVAILABLE IN PRICE BOOK	1	
4	42X-84723-01-00	. GASKET, TAIL LENS	1	
5	97780-40525-00	. SCREW, TAPPING	2	
6	42X-84717-00-00	. CORD, TAILLIGHT	1	
7	42X-84704-00-00	. GASKET, TAILLIGHT	1	
8	90119-06097-00	BOLT, WITH WASHER	3	
9	90387-065L5-00	COLLAR	3	
10	90480-14229-00	GROMMET	3	
11	90480-16112-00	GROMMET	1	
12	90480-15061-00	GROMMET	1	
13	42X-84751-00-00	BRACKET, LICENSE	1	
14	97313-06016-00	BOLT, HEXAGON	2	
15	92995-06100-00	WASHER, SPRING	2	
16	90201-061A5-00	WASHER, PLATE	2	

TURNSIGNAL



Ref. No.	Part Number	Description	Qty	Remarks
1	42X-83310-K0-00	FRONT FLASHER LIGHT ASSEMBLY 1	2	
2	256-84714-61-00	. BULB (12V-27/8W)	1	
3	42X-83312-00-00	. LENS, FLASHER	1	
4	42X-83313-00-00	. GASKET, FLASHER LENS	1	
5	42X-83363-00-00	. LENS, RIM	1	
6	341-83333-70-00	. SCREW, LENS FITTING	2	
7	42X-83359-00-00	. WASHER, SPECIAL	2	
8	1AA-83318-00-00	STAY, FLASHER 1	2	
9	1AA-83330-K0-00	REAR FLASHER LIGHT ASSEMBLY 1	2	
10	256-83311-70-XX	. BULB, TS 12V27W	1	
11	42X-83312-00-00	. LENS, FLASHER	1	
12	42X-83313-00-00	. GASKET, FLASHER LENS	1	
13	42X-83363-00-00	. LENS, RIM	1	
14	341-83333-70-00	. SCREW, LENS FITTING	2	
15	42X-83559-00-00	. COVER, METER	2	
16	1AA-83328-00-00	STAY, FLASHER 2 (24M-83318-00)	2	
17	95701-12500-00	NUT, FLANGE	4	
18	97021-06030-00	BOLT	4	
19	95701-06500-00	NUT, FLANGE	4	
20	42X-83328-00-00	STAY, FLASHER 2	1	

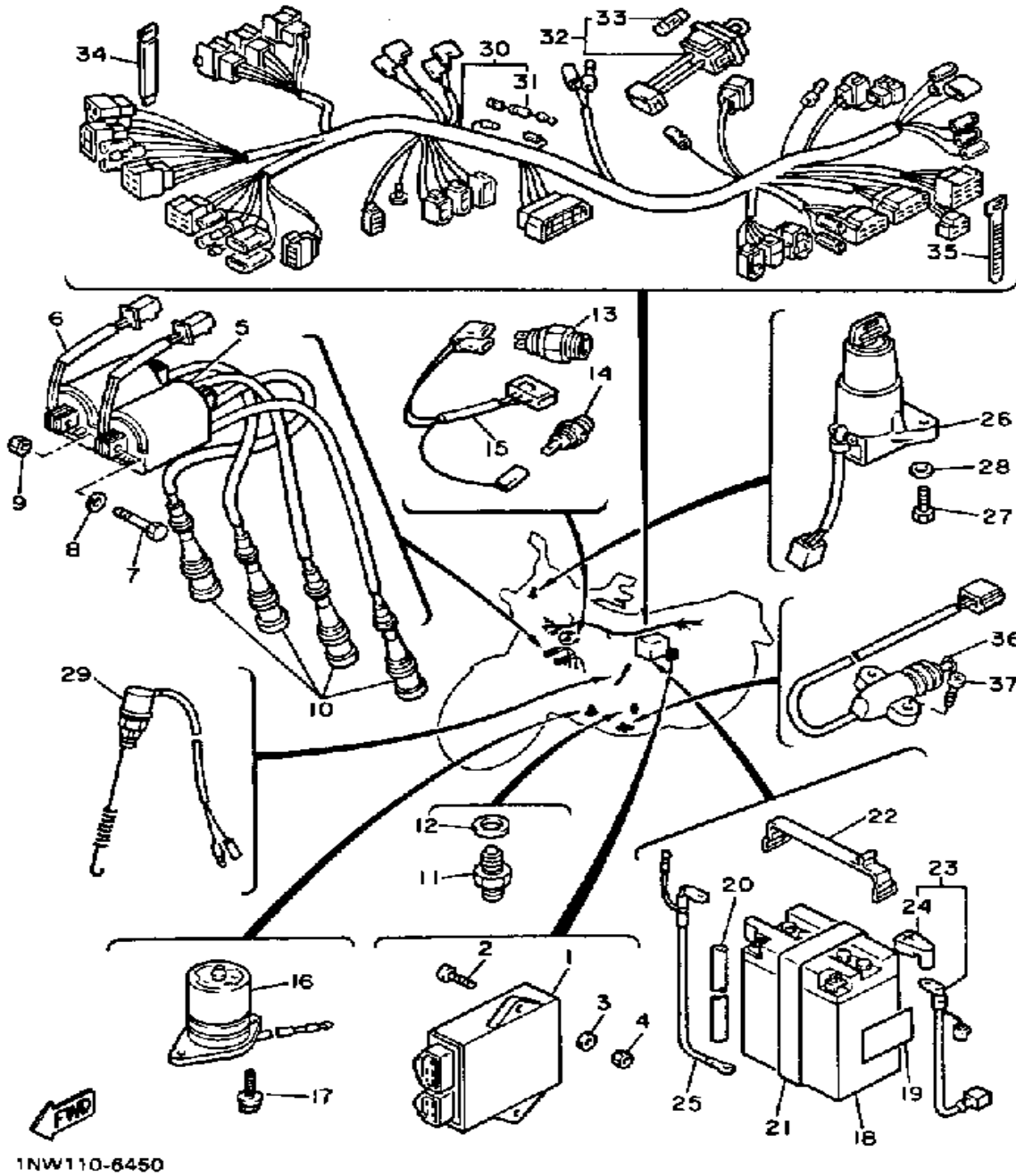
ELECTRICAL 1



1AA110-5440

Ref. No.	Part Number	Description	Qty	Remarks
1	36Y-81940-00-00	STARTER RELAY ASSEMBLY .	1	
2	95380-06700-00	NUT	2	
3	92995-06100-00	WASHER, SPRING	2	
4	4U8-81950-02-00	RELAY ASSEMBLY. (4U8-81950-00)	1	FOR SIDE STAND
5	4U8-81980-M0-00	DIODE ASSEMBLY	1	FOR SIDE STAND SAFETY DEVISE
6	12R-81960-A1-00	RECTIFIER/REG ASSEMBLY ..	1	
7	98516-06030-00	SCREW, PAN HEAD	2	
8	92906-06600-00	WASHER	2	
9	95380-06700-00	NUT	2	
10	41R-83350-71-00	FLASHER RELAY ASSEMBLY .	1	
11	1AA-83371-20-00	HORN	1	
12	1AA-83371-30-00	HORN	1	
13	97326-08012-00	BOLT, HEXAGON	2	
14	92906-08100-00	WASHER, SPRING	2	
15	1FG-85752-00-00	SNDR UT ASSEMBLY, F/MTR .	1	
16	42X-85753-00-00	GASKET, SENDER UNIT	1	
17	90149-06011-00	SCREW	2	
18	90202-05187-00	WASHER, PLATE	2	
19	42X-85110-00-00	REFLECTOR ASSEMBLY	2	
	95701-05500-00	NUT, FLANGE	2	
21	55R-85130-00-00	REAR REFLECTOR ASSEMBLY	1	
22	95701-05500-00	NUT, FLANGE	1	

ELECTRICAL 2



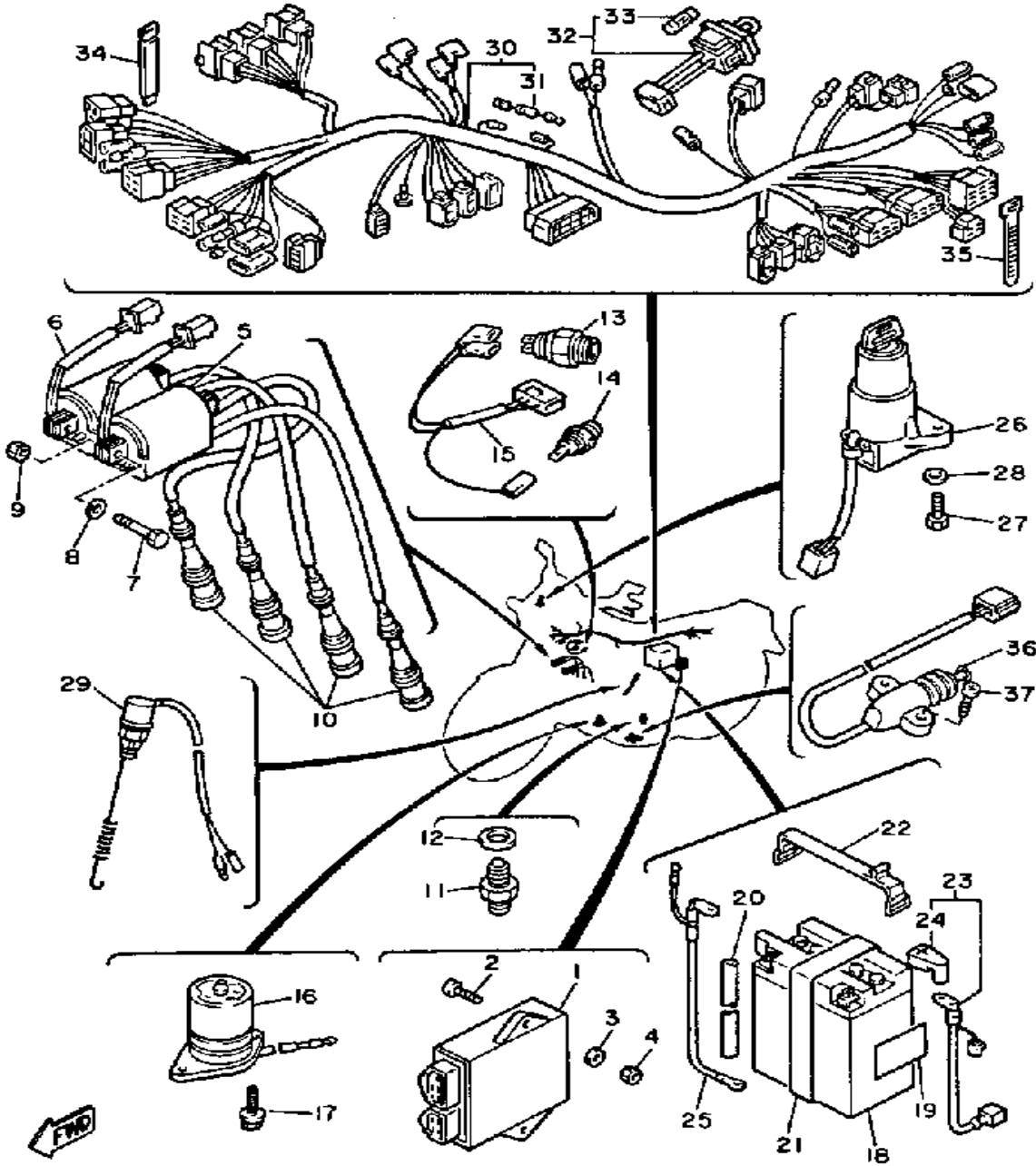
1NW110-6450

Ref. No.	Part Number	Description	Qty	Remarks
1	1AA-82305-10-00	IGNITOR UNIT ASSEMBLY 1 ..	1	
2	92052-06016-00	UNAVAILABLE IN PRICE BOOK	1	
3	92990-06600-00	WASHER, PLATE	1	
4	95380-06700-00	NUT	1	
5	1AA-82310-10-00	IGNITION COIL ASSEMBLY ...	1	
6	1AA-82320-10-00	IGNITION COIL ASSEMBLY ...	1	
7	97006-06080-00	BOLT	2	
8	92906-06200-00	WASHER	2	
9	95316-06600-00	NUT	2	
10	2KT-82370-00-00	PLUG CAP ASSEMBLY	4	
11	2H7-82540-00-00	NEUTRAL SWITCH ASSEMBLY	1	
12	90430-10171-00	GASKET	1	
13	2EL-82560-00-00	THERMO SWITCH ASSEMBLY	1	
14	11H-83591-00-00	THERMO UNIT	1	
15	(1AA-82509-00-00)	WIRE, SUB LEAD	1	
16	OIL-LEVEL-GA-UG	UNAVAILABLE IN PRICE BOOK	1	
17	95026-06016-00	BOLT, FLANGE	2	
18	BTY-YB14L-A2-00	BATTERY ASSEMBLY (YB14L-A2)	1	
19	118-82141-09-00	LABEL, BATTERY	1	
20	90445-08348-00	HOSE	1	
21	1UA-82124-00-00	BAND, BATTERY	1	
22	4J2-82131-01-00	BAND, BATTERY	1	
23	1TX-82115-00-00	WIRE, PLUS LEAD	1	
24	4X7-82119-00-00	. COVER, LEAD WIRE	1	
25	1AA-82116-00-00	WIRE, MINUS LEAD	1	
26	42X-82501-50-00	MAIN SWITCH STEERING LOCK	1	
27	97313-06016-00	BOLT, HEXAGON	2	

CONTINUED ON NEXT FRAME ►

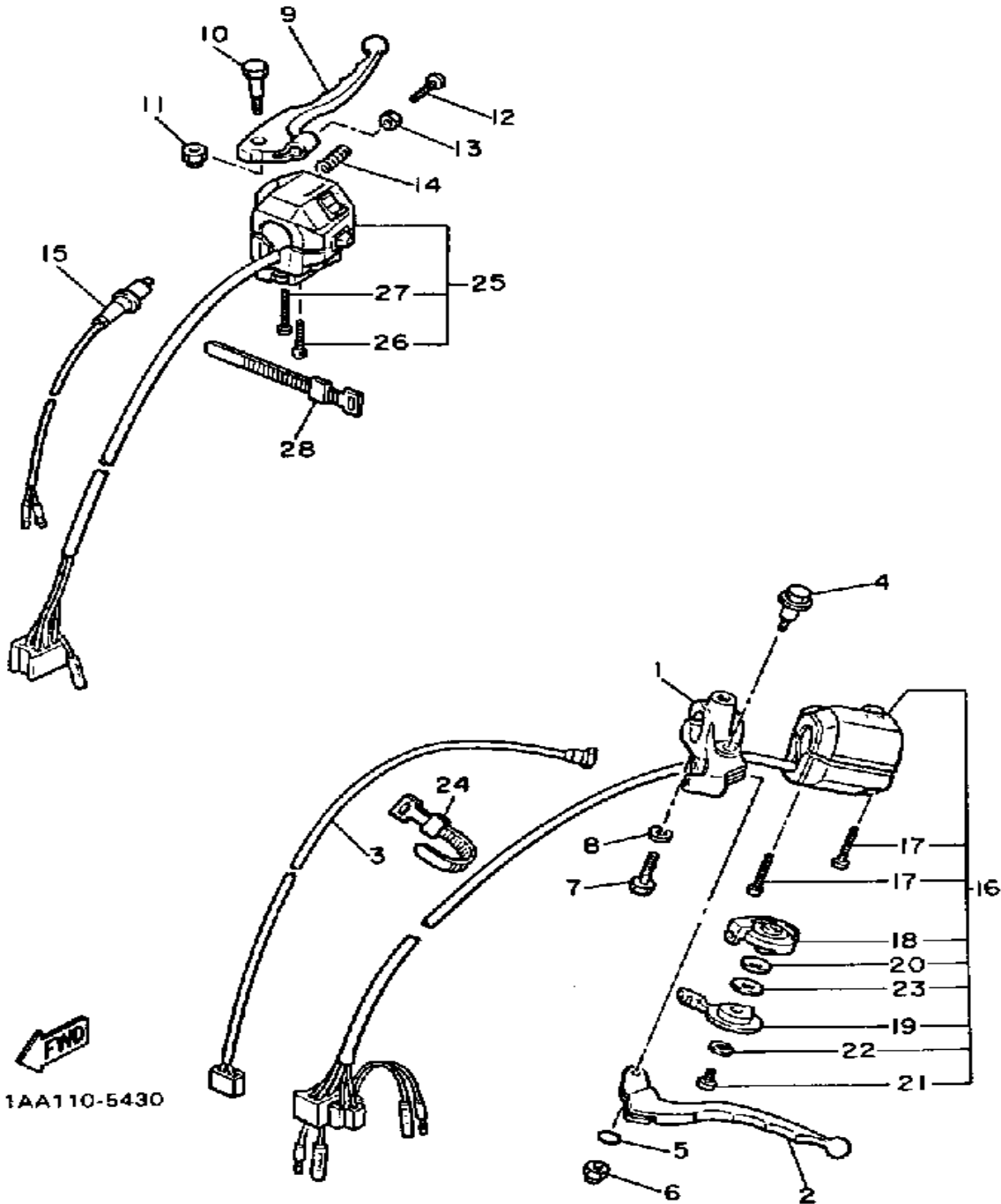
ELECTRICAL 2

Ref. No.	Part Number	Description	Qty	Remarks
28	92990-06600-00	WASHER, PLATE	2	
29	5R2-82530-02-00	STOP SWITCH ASSEMBLY	1	
30	1MY-82590-00-00	WIRE HARNESS ASSEMBLY	1	
31	3H5-81980-00-00	. DIODE ASSEMBLY	1	
32	3H5-82150-00-00	FUSE HOLDER ASSEMBLY	1	
33	2H7-82151-00-00	. FUSE	2	
34	341-26397-01-00	BAND	2	
35	25G-83936-01-00	BAND, SWITCH CORD	1	
36	1AA-82566-00-00	SWITCH, SIDE STAND	1	
37	98706-05016-00	SCREW, FLAT HEAD	2	



1NW110-6450

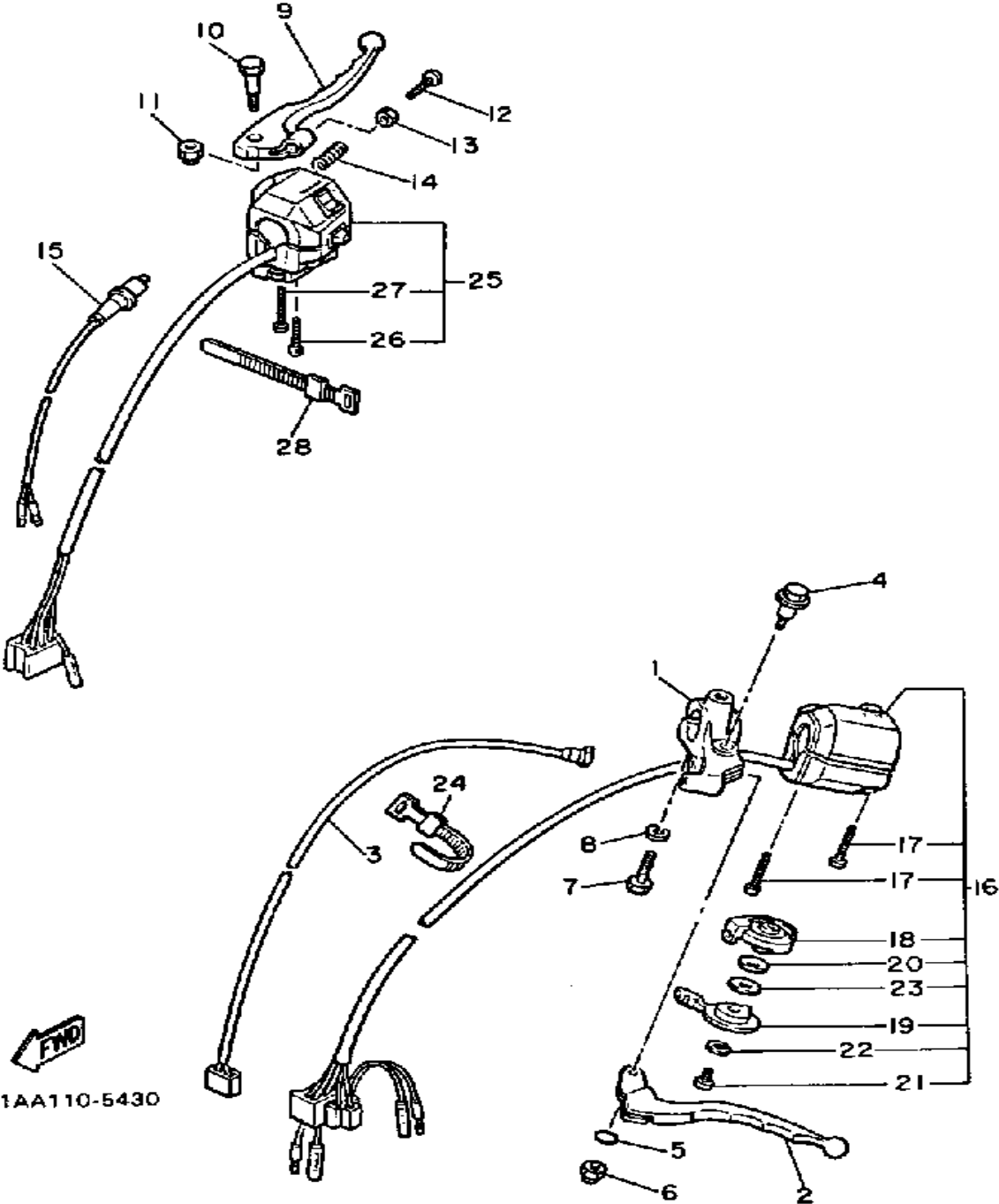
HANDLE SWITCH - LEVER



Ref. No.	Part Number	Description	Qty	Remarks
1	11U-82911-00-00	HOLDER, LEVER 1	1	
2	1AA-83912-11-00	LEVER L	1	
3	3Y6-82917-00-00	SWITCH	1	
4	90109-067A9-00	BOLT	1	
5	93210-11368-00	O-RING	1	
6	95616-06100-00	NUT, U	1	
7	97006-06022-00	BOLT	1	
8	92906-06100-00	WASHER, SPRING	1	
9	57A-83922-01-00	LEVER 2	1	
10	90109-06577-00	BOLT	1	
11	95616-06100-00	NUT, U	1	
12	90149-06131-00	SCREW	1	
13	90170-06010-00	NUT	1	
14	90501-10312-00	SPRING, COMPRESSION	1	
15	34X-83980-01-00	FRONT STOP SWITCH ASSEMBLY	1	
16	2UJ-83973-00-00	SWITCH, HANDLE 3	1	
17	98506-05035-00	. SCREW, PAN HEAD	2	
18	10M-83942-00-00	. COVER, STARTER	1	
19	10M-83941-00-00	. LEVER, STARTER	1	
20	92990-06200-00	. WASHER	1	
21	98506-06008-00	. SCREW, PAN HEAD (92506-06008-00)	1	
22	92995-06100-00	. WASHER, SPRING	1	
23	1AA-8397X-00-00	. SPACER	1	
24	437-83936-01-00	BAND, SWITCH CORD	1	
25	42X-83975-01-00	SWITCH, HANDLE 2 (1AA-83975-00)	1	
26	98506-05040-00	. SCREW, PAN HEAD	1	
27	98506-05045-00	. SCREW, PAN HEAD	1	

CONTINUED ON NEXT FRAME ►

HANDLE SWITCH - LEVER



Ref. No.	Part Number	Description	Qty	Remarks
28	437-83936-01-00	BAND, SWITCH CORD	1	

1AA110-5430

XJ700XS, XSC 1986 SERVICE DATA

MODEL - ISM I.D. NUMBER	XJ700XS - 1NW	XJ700XSC - 1LT
Initial Engine Number / Frame Number	See Page 2	
Fuel Type / Total Fuel Tank Capacity / Reserve Cap.	Regular / 13.0 Lit (3.4 gal) / 3 Lit (0.8 gal)	

ENGINE TYPE	DOHC, 5-Valve, Liquid Cooled, 4-Stroke	
Bore / Stroke / Number Cylinders / Displacement	68mm / 48.0mm / 4 / 697cc	
Compression Ratio / Compression Pressure Min~Max	11.2:1 / 10.8 ~ 11.6 kg/cm ² (153.6 ~ 165 psi)	
Piston Skirt Clearance New / Max	0.06 ~ 0.08mm / 0.1mm	
Ring End Gap Top / 2nd / 3rd	0.30 ~ 0.45mm / 0.30 ~ 0.45mm / 0.2 ~ 0.7mm	
Valve Clearance (Cold) Intake / Exhaust	0.11 ~ 0.20mm / 0.21 ~ 0.30mm	
Oiling System	Wet Sump	
Capacity: Dry	3.5 Lit. (3.7 qt)	
Oil & Filter Change / Oil Change Only	2.8 Lit (3.0 qt) / 2.5 Lit (2.6 qt)	
Oil Filter Part Number	1L9-13440-91-00	
Lubricant: Temp Above 5°C (40°F)	Yamatube 4* or SAE 20W40 SE or SF	
Temp Below 15°C (60°F)	SAE 10W30 SE or SF	
Cooling System / Capacity / Cap Opening Pressure	Liquid/2.4 Lit (2.5 qt)/0.75~1.05kg/cm ² (10.7~14.9psi)	
Coolant Type / Mixing Ratio	Ethylene Glycol - Water / 1:1	

AUTOLUBE - Min Stroke / Color Code	φ	
Minimum Output @ 200 Cycles	φ	
Maximum Output @ 200 Cycles	φ	

CARBURETOR - Manufacturer / Type / I.D. Number	Mikuni / BS33 / S:1AA-00	SC:1EJ-00
Main Jet / Pilot Jet / Pilot Screw (Turns Out)	105 / 35 / Preset	
Needle Jet / Jet Needle-Clip Position	5FZ82 / Y-2	
Slide Cutaway	φ	
Float Height / Fuel Level (with special tool)	17.5 ± 1.0mm / 3.0 ± 1.0mm	
Idle rpm	1100 rpm ± 50 rpm	
Max CO _e / Max HC _e / Set CO	7% / 2000 ppm / 4.0 ± 0.5% @ 1100 rpm	

SUSPENSION		
Front: Oil Type / Level / Qty	10 Wt. Fork Oil* / 151mm / 389cc	
Gas or Air Pressure Min~Max / Standard	0.4 ~ 1.2 kg/cm ² (5.7~17.1 psi) / 0.4 kg/cm ² (5.7 psi)	
Spring Length Standard	511mm	
Rear: Gas or Air Pressure Min~Max / Standard	φ	
Minimum Brake Lining Thickness Front / Rear	5.0mm / 2.0mm	
Tire Size / Nominal Pressure: Front	100 / 90-19 57H / 1.8 kg/cm ² (25.6 psi)	
Rear	130 / 90-16 67H / 2.0 kg/cm ² (28.4 psi)	

TRANSMISSION - Oil Type / Qty Change / Qty Dry	See ENGINE Above	
Secondary Drive Type / Teeth / Chain / Freeplay	Shaft / φ / φ / φ	
Middle Gear Case Capacity	φ	
Final Gear Case Capacity	200cc	
Gear Case Lubricant	SAE 80 API "GL-4" Hypoid	

SERVICE COPY	SER MGR	MECH	MECH	MECH	BINDER
OFFICE COPY	GEN MGR	SALES	PARTS	BINDER	PAGE 1 OF 2

CHARGING SYSTEM		
Battery: Model / Specific Gravity / Charge Rate	YB14L / 1.280 / 1.4A	
Maximum Output	14V 26A @ 5000 rpm	
Field Coil Color Code / Ω	Grn~Brn / 4.9 Ω ± 10%	
Stator Coil Color Code / Ω	Wht~Wht / 1.8 Ω ± 10%	
Charge Coil Color Code / Ω	φ	

IGNITION SYSTEM	Transistor Controlled	
Ignition Timing	5° @ 1100 rpm Full Adv. 43° @ 3500 rpm	
Spark Plug Type	NGK D8EA or ND X24ES-U	
Spark Plug Gap / Torque / Cap Ω	0.6 ~ 0.7mm / 1.75 m·kg (12.7 ft·lbs) / 10K Ω	
Ignition Coil Test Gap / Primary Ω / Secondary Ω	6mm / 2.7 Ω ± 10% / 12K Ω ± 20%	
Pulser Coil or Pickup Coil Color Code / Ω	Org~Blk, Gry~Blk / 120 Ω ± 10%	
Source Coil Color Code / Ω	φ	

LIGHTING SYSTEM		
Headlight / Taillight / Signal Rating	12Y60-55W / 12V 27-8W / 12V 27W	
Lighting Coil Color Code / Ω	φ	

TORQUE VALUES		
Front Axle Nut	M14: 10.5 m·kg (75.9 ft·lbs)	
Front Axle Holder Nut	M8: 2.0 m·kg (14.5 ft·lbs)	
Rear Axle Nut	M14: 10.5 m·kg (75.9 ft·lbs)	
Rear Axle Pinch Bolt	φ	
Clutch Nut	M14: 7.0 m·kg (50.6 ft·lbs)	
Drain Plug	M14: 4.3 m·kg (31.1 ft·lbs)	
Flywheel Nut	φ	
Cylinder Head Cover	M6: 1.0 m·kg (7.2 ft·lbs)	
Cylinder Head:	M9: 3.7 m·kg (25.3 ft·lbs)	
Union Bolt (oil delivery line):	M10: 2.1 m·kg (15.1 ft·lbs)	
Engine Mounting Bolts: Front Upper	M10: 4.2 m·kg (30.4 ft·lbs)	
Front Lower	M10: 4.2 m·kg (30.4 ft·lbs)	
Front Stay	M8: 3.3 m·kg (23.9 ft·lbs)	
Rear Lower	M12: 9.0 m·kg (65.1 ft·lbs)	
Pivot Shaft	M22: 10.0 m·kg (72.3 ft·lbs)	

Initial Engine Number / Frame Number	XJ700XS: 1NW-000101 / JYA1NW00()GA000101	
	XJ700XSC: 1LT-00101 / JYA1LT00()GA000101	

φ = Does Not Apply to This Model
NA = Information Not Available

* = Available from YPDI
⊕ = For Diagnostic Use Only

SERVICE LITERATURE

PUBLICATION	PART NUMBER	REMARKS
Owner's Manual	LIT-11626-05-03	Supp. to XJ700XSN, NC Service Manual (04-68) Supp. to XS/XJ/XV/XZ/RD Basic Assembly Manual (03-85)
Service Manual	LIT-11616-05-03	
Assembly Manual	LIT-11666-04-68	
Consumer Info.	LIT-11656-04-26	

CHARGING SYSTEM	
Battery: Model / Specific Gravity / Charge Rate	YB14L / 1.280 / 1.4A
Maximum Output	14V 26A @ 5000 rpm
Field Coil Color Code / Ω	Grn~Brn / 4.9 Ω \pm 10%
Stator Coil Color Code / Ω	Wht~Wht / 1.8 Ω \pm 10%
Charge Coil Color Code / Ω	ϕ

IGNITION SYSTEM	
Ignition System	Transistor Controlled
Ignition Timing	5° @ 1100 rpm Full Adv: 43° @ 3500 rpm
Spark Plug Type	NGK D8EA or ND X24ES-U
Spark Plug Gap / Torque / Cap Ω	0.6 ~ 0.7mm / 1.75 m·kg (12.7 ft·lbs) / 10K Ω
Ignition Coil Test Gap / Primary Ω / Secondary Ω	6mm / 2.7 Ω \pm 10% / 12K Ω \pm 20%
Pulser Coil or Pickup Coil Color Code / Ω	Org~Blk, Gry~Blk / 120 Ω \pm 10%
Source Coil Color Code / Ω	ϕ

LIGHTING SYSTEM	
Headlight / Taillight / Signal Rating	12Y60-55W / 12V 27-8W / 12V 27W
Lighting Coil Color Code / Ω	ϕ

TORQUE VALUES	
Front Axle Nut	M14: 10.5 m·kg (75.9 ft·lbs)
Front Axle Holder Nut	M8: 2.0 m·kg (14.5 ft·lbs)
Rear Axle Nut	M14: 10.5 m·kg (75.9 ft·lbs)
Rear Axle Pinch Bolt	ϕ
Clutch Nut	M14: 7.0 m·kg (50.6 ft·lbs)
Drain Plug	M14: 4.3 m·kg (31.1 ft·lbs)
Flywheel Nut	ϕ
Cylinder Head Cover	M6: 1.0 m·kg (7.2 ft·lbs)
Cylinder Head:	M9: 3.7 m·kg (25.3 ft·lbs)
Unlon Bolt (oil delivery line):	M10: 2.1 m·kg (15.1 ft·lbs)
Engine Mounting Bolts: Front Upper	M10: 4.2 m·kg (30.4 ft·lbs)
Front Lower	M10: 4.2 m·kg (30.4 ft·lbs)
Front Stay	M8: 3.3 m·kg (23.9 ft·lbs)
Rear Lower	M12: 9.0 m·kg (65.1 ft·lbs)
Pivot Shaft	M22: 10.0 m·kg (72.3 ft·lbs)

Initial Engine Number / Frame Number	XJ700XS: 1NW-000101 / JYA1NW00()GA000101 XJ700XSC: 1LT-00101 / JYA1LT00()GA000101
--------------------------------------	--

ϕ = Does Not Apply to This Model
NA = Information Not Available

* = Available from YPDI
@ = For Diagnostic Use Only

SERVICE LITERATURE

PUBLICATION	PART NUMBER	REMARKS
Owner's Manual	LIT-11626-05-03	
Service Manual	LIT-11616-05-03	Supp. to XJ700XSN, NC Service Manual (04-68)
Assembly Manual	LIT-11666-04-68	Supp. to XS/XJ/XV/XZ/RD Basic Assembly Manual (03-85)
Consumer Info.	LIT-11656-04-26	