



PARTS CATALOGUE

YZF-R6 (5SLV) EUROPE, SOUTH AFRICA
YZF-R6T (5SLX) AUSTRALIA

YZF-R6/YZF-R6T
PARTS CATALOGUE
©2005 by Yamaha Motor Co., Ltd.
1st edition, January 2005
All rights reserved.
Any reprinting or unauthorized use
without the written permission of
Yamaha Motor Co., Ltd.
is expressly prohibited.
Printed in Japan.

A3

YZF-R6



A4

FOREWORD

This Parts Catalogue is related to the parts for the model(s) on the cover page. When you are ordering replacement parts, please refer to this Parts Catalogue and quote both part numbers and part names correctly.

1. Modifications or additions which have been made after the issue of the Parts Catalogue will be announced in the Parts News.

It is advisable that you make the necessary corrections to the Parts Catalogue according to the Parts News.

2. Abbreviations

The following abbreviations are used in this Parts Catalogue.

“UR” Use specified parts number.

“UN” Use as many as needed.

“AP” Alternate Parts

“LM” Locally Made (Parts need to be ordered locally)

“F#” Frame No. (Applicable machine No.)

“O/S” Over Size

3. The number of components for assembly

- Parts, which are to be supplied in an assembly, are listed with a dot (.) in front of the part name as shown below.
- The numeral appearing to the right of each component part indicates the quantity of parts for each assembly unit.

| PART NO. | DESCRIPTION | Q'TY | REMARKS |
|--------------|--------------------------|------|---------|
| 2F5-83310-60 | FRONT FLASHER LIGHT ASSY | 2 | |
| 115-83311-60 | .BULB (6V-18W) | 1 | |

4. Applicable colours of graphics are represented in the “REMARKS” as shown below.

| PART NO. | DESCRIPTION | Q'TY | REMARKS |
|-----------------|---------------------|------|---------|
| 2N4-24110-00-X5 | FUEL TANK COMP. | 2 | MXR |
| 3J1-24240-10 | .GRAPHIC, FUEL TANK | 1 | FOR MXR |

5. Note that the illustrations for reference in finding parts numbers are not to be used for assembling. When assembling, please use the applicable service manual.

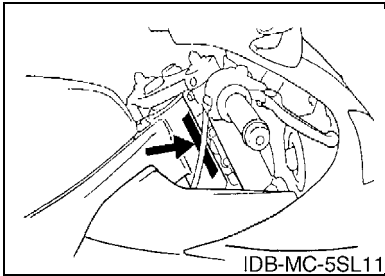
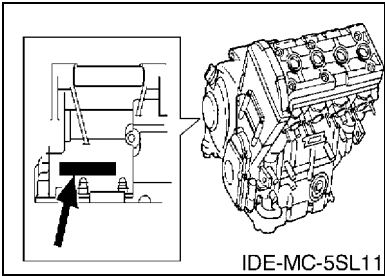
6. The asterisk (*) before a reference number indicates modified items after the first edition.

FOREWORD

7. Applicable Serial No.

Engine Serial No.

Frame Serial No.



8. Applicable Colour Code (The (*) mark shows Model colour.)

| Abbreviation | Colour Name | Colour Code |
|--------------|---------------------------|-------------|
| LGB | LOW GLOSS BLACK | 0098 |
| RYC1(*) | REDDISH YELLOW COCKTAIL 1 | 0251 |
| SMX | BLACK METALLIC X | 0903 |
| | | |
| | | |
| | | |
| | | |
| | | |
| | | |

CONTENTS

ENGINE

| | |
|----------------------------|-----|
| CYLINDER | B2 |
| CRANKSHAFT & PISTON | B3 |
| VALVE | B4 |
| CAMSHAFT & CHAIN | B6 |
| WATER PUMP | B7 |
| RADIATOR & HOSE | B8 |
| OIL PUMP | B10 |
| OIL CLEANER | B11 |
| INTAKE | B12 |
| INTAKE 2 | B14 |
| AIR INDUCTION SYSTEM | C2 |
| EXHAUST | C3 |
| CRANKCASE | C4 |
| CRANKCASE COVER 1 | C6 |
| STARTER | C8 |
| CLUTCH | C9 |
| TRANSMISSION | C11 |
| SHIFT CAM & FORK | C13 |
| SHIFT SHAFT | C14 |

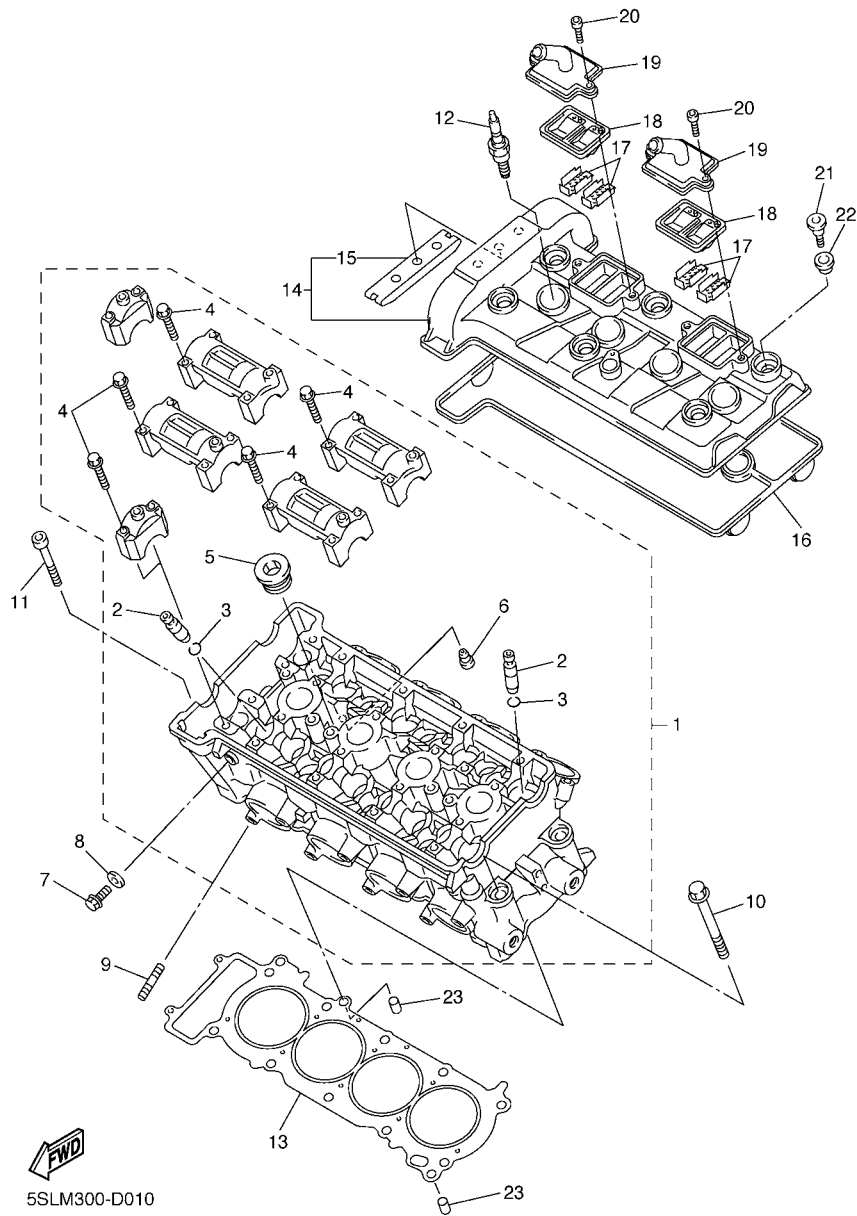
CHASSIS

| | |
|-------------------------------|-----|
| FRAME | C15 |
| FENDER | D3 |
| SIDE COVER | D5 |
| REAR ARM | D6 |
| REAR SUSPENSION | D8 |
| STEERING | D9 |
| FRONT FORK | D10 |
| FUEL TANK | D12 |
| SEAT | D14 |
| FRONT WHEEL | D15 |
| FRONT BRAKE CALIPER | E2 |
| REAR WHEEL | E3 |
| REAR BRAKE CALIPER | E5 |
| STEERING HANDLE & CABLE | E6 |
| FRONT MASTER CYLINDER | E7 |
| STAND & FOOTREST | E9 |
| REAR MASTER CYLINDER | E12 |
| COWLING 1 | E14 |
| COWLING 2 | F2 |
| GENERATOR | F4 |

| | |
|-----------------------------|-----|
| STARTING MOTOR | F5 |
| FLASHER LIGHT | F6 |
| METER | F7 |
| HEADLIGHT | F8 |
| TAILLIGHT | F9 |
| HANDLE SWITCH & LEVER | F10 |
| ELECTRICAL 1 | F11 |
| ELECTRICAL 2 | F12 |

INDEX

| | |
|-----------------------|----|
| NUMERICAL INDEX | M1 |
|-----------------------|----|

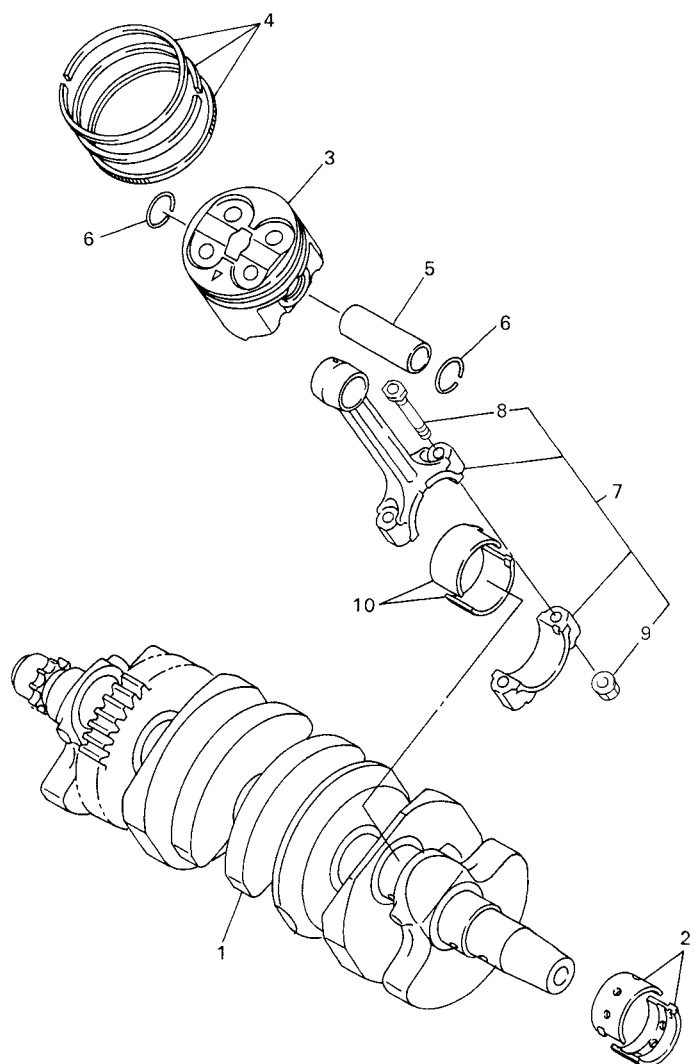


5SLM300-D010

FIG. 1 CYLINDER

| REF. NO. | PART NO. | DESCRIPTION | 5SLV | 5SLX | REMARKS |
|----------|--------------|---------------------------|------|------|---------|
| 1 | 5SL-11101-10 | CYLINDER HEAD ASSY | 1 | 1 | |
| 2 | 5EB-11133-10 | .GUIDE, VALVE 1 | 16 | 16 | |
| 3 | 93440-10153 | .CIRCLIP | 16 | 16 | |
| 4 | 90105-06027 | .BOLT, FLANGE | 20 | 20 | |
| 5 | 90340-20090 | .PLUG, STRAIGHT SCREW | 3 | 3 | |
| 6 | 11H-15138-00 | .NOZZLE 1 | 1 | 1 | |
| 7 | 95027-08012 | BOLT, FLANGE | 1 | 1 | |
| 8 | 90430-08119 | GASKET | 1 | 1 | |
| 9 | 95617-08625 | BOLT, STUD | 8 | 8 | |
| 10 | 90119-10003 | BOLT, WITH WASHER | 10 | 10 | |
| 11 | 91317-06060 | BOLT | 2 | 2 | |
| 12 | 94701-00402 | PLUG, SPARK (NGK CR10EK) | 4 | 4 | |
| 13 | 5SL-11181-00 | GASKET, CYLINDER HEAD 1 | 1 | 1 | |
| 14 | 5SL-11191-01 | COVER, CYLINDER HEAD 1 | 1 | 1 | |
| 15 | 5BE-12241-00 | .GUIDE, STOPPER 2 | 1 | 1 | |
| 16 | 5SL-11193-00 | GASKET, HEAD COVER 1 | 1 | 1 | |
| 17 | 5SL-1482K-00 | PLATE | 4 | 4 | |
| 18 | 5SL-14890-00 | REED VALVE ASSY | 2 | 2 | |
| 19 | 5SL-14899-00 | CAP, CASE | 2 | 2 | |
| 20 | 90110-06118 | BOLT, HEXAGON SOCKET HEAD | 4 | 4 | |
| 21 | 90109-066F0 | BOLT | 6 | 6 | |
| 22 | 4KG-1111G-00 | RUBBER, MOUNT 1 | 6 | 6 | |
| 23 | 99530-10114 | PIN, DOWEL | 2 | 2 | |

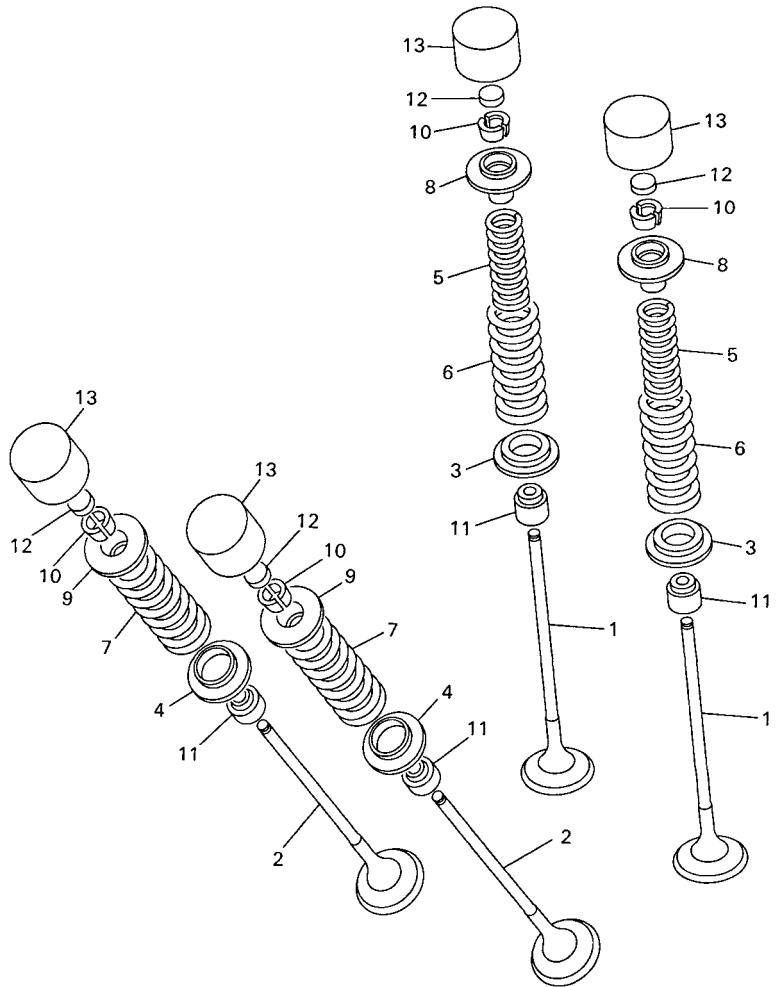
FIG. 2 CRANKSHAFT & PISTON



| REF. NO. | PART NO. | DESCRIPTION | 5SLV | 5SLX | REMARKS |
|----------|--------------|-------------------------------|------|------|----------|
| 1 | 5SL-11411-00 | CRANKSHAFT | 1 | 1 | |
| 2 | 5EB-11416-A0 | PLANE BEARING, CRANKSHAFT 1 | 10 | 10 | UR WHITE |
| | 5EB-11416-00 | PLANE BEARING, CRANKSHAFT 1 | 10 | 10 | UR BLUE |
| | 5EB-11416-10 | PLANE BEARING, CRANKSHAFT 1 | 10 | 10 | UR BLACK |
| | 5EB-11416-20 | PLANE BEARING, CRANKSHAFT 1 | 10 | 10 | UR BROWN |
| | 5EB-11416-30 | PLANE BEARING, CRANKSHAFT 1 | 10 | 10 | UR GREEN |
| 3 | 5SL-11631-00 | PISTON (STD) | 4 | 4 | |
| 4 | 5SL-11603-00 | PISTON RING SET (STD) | 4 | 4 | |
| 5 | 5SL-11633-00 | PIN, PISTON | 4 | 4 | |
| 6 | 93450-17129 | CIRCLIP | 8 | 8 | |
| 7 | 5SL-11650-00 | CONNECTING ROD ASSY | 4 | 4 | |
| 8 | 5SL-11654-00 | .BOLT, CONNECTING ROD | 2 | 2 | |
| 9 | 90179-07652 | .NUT | 2 | 2 | |
| 10 | 5SL-11656-00 | PLANE BEARING, CONNECTING ROD | 8 | 8 | UR BLUE |
| | 5SL-11656-10 | PLANE BEARING, CONNECTING ROD | 8 | 8 | UR BLACK |
| | 5SL-11656-20 | PLANE BEARING, CONNECTING ROD | 8 | 8 | UR BROWN |
| | 5SL-11656-30 | PLANE BEARING, CONNECTING ROD | 8 | 8 | UR GREEN |

FWD
5EB3351-9020

FIG. 3 VALVE

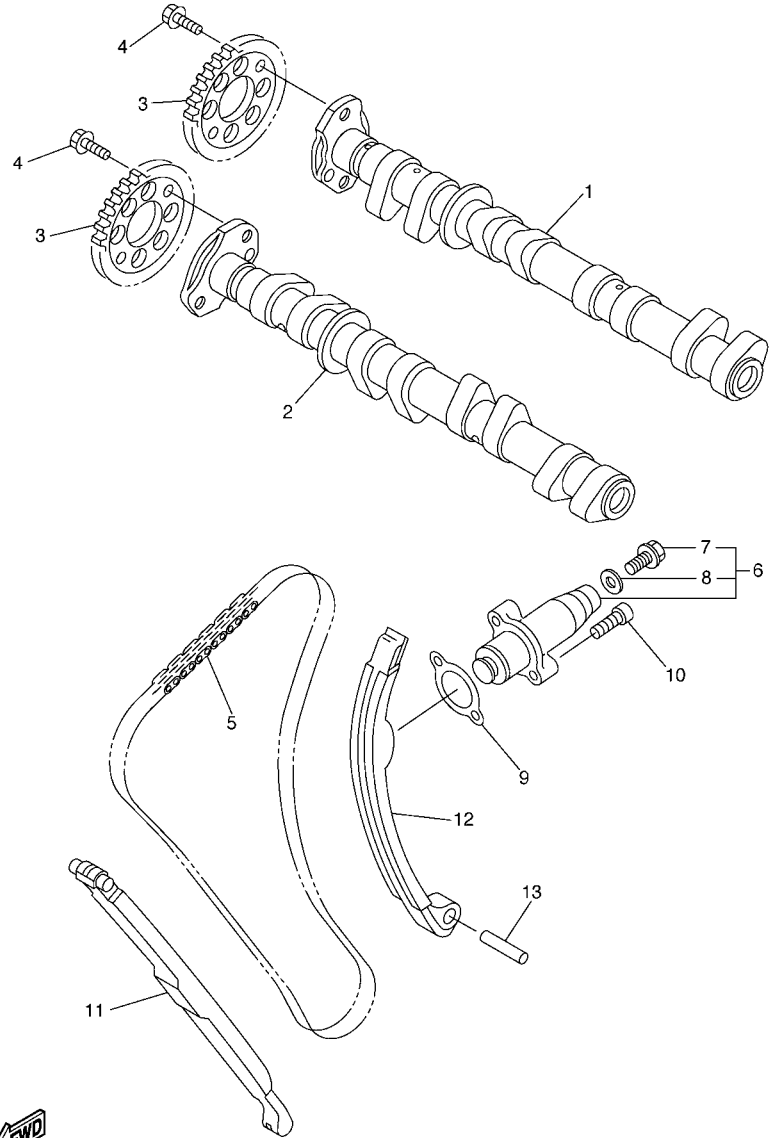


| REF. NO. | PART NO. | DESCRIPTION | 5SLV | 5SLX | REMARKS |
|----------|--------------|-------------------------|------|------|---------|
| 1 | 5SL-12111-10 | VALVE, INTAKE | 8 | 8 | |
| 2 | 5SL-12121-10 | VALVE, EXHAUST | 8 | 8 | |
| 3 | 5SL-12116-00 | SEAT, VALVE SPRING | 8 | 8 | |
| 4 | 5EB-12126-00 | SEAT, VALVE SPRING 2 | 8 | 8 | |
| 5 | 5SL-12113-00 | SPRING, VALVE INNER | 8 | 8 | |
| 6 | 5SL-12114-00 | SPRING, VALVE OUTER | 8 | 8 | |
| 7 | 5EB-12124-01 | SPRING, VALVE OUTER | 8 | 8 | |
| 8 | 5EB-12117-00 | RETAINER, VALVE SPRING | 8 | 8 | |
| 9 | 5EB-12127-00 | RETAINER, VALVE SPRING | 8 | 8 | |
| 10 | 1HX-12118-00 | COTTER, VALVE | 32 | 32 | |
| 11 | 4TV-12119-00 | SEAL, VALVE STEM | 16 | 16 | |
| 12 | 1HX-12168-00 | PAD, ADJUSTING 2 (1.20) | 16 | 16 | UR |
| | 1HX-12168-20 | PAD, ADJUSTING 2 (1.25) | 16 | 16 | UR |
| | 1HX-12168-40 | PAD, ADJUSTING 2 (1.30) | 16 | 16 | UR |
| | 1HX-12168-60 | PAD, ADJUSTING 2 (1.35) | 16 | 16 | UR |
| | 1HX-12168-80 | PAD, ADJUSTING 2 (1.40) | 16 | 16 | UR |
| | 1HX-12168-A0 | PAD, ADJUSTING 2 (1.45) | 16 | 16 | UR |
| | 1HX-12168-F0 | PAD, ADJUSTING 2 (1.50) | 16 | 16 | UR |
| | 1HX-12168-H1 | PAD, ADJUSTING 2 (1.55) | 16 | 16 | UR |
| | 1HX-12168-K1 | PAD, ADJUSTING 2 (1.60) | 16 | 16 | UR |
| | 1HX-12168-M1 | PAD, ADJUSTING 2 (1.65) | 16 | 16 | UR |
| | 1HX-12168-R1 | PAD, ADJUSTING 2 (1.70) | 16 | 16 | UR |
| | 1HX-12168-U1 | PAD, ADJUSTING 2 (1.75) | 16 | 16 | UR |
| | 1HX-12168-W1 | PAD, ADJUSTING 2 (1.80) | 16 | 16 | UR |
| | 1HX-12168-Y1 | PAD, ADJUSTING 2 (1.85) | 16 | 16 | UR |
| | 1HX-12169-11 | PAD, ADJUSTING 2 (1.90) | 16 | 16 | UR |
| | 1HX-12169-31 | PAD, ADJUSTING 2 (1.95) | 16 | 16 | UR |



5EB3351-9030

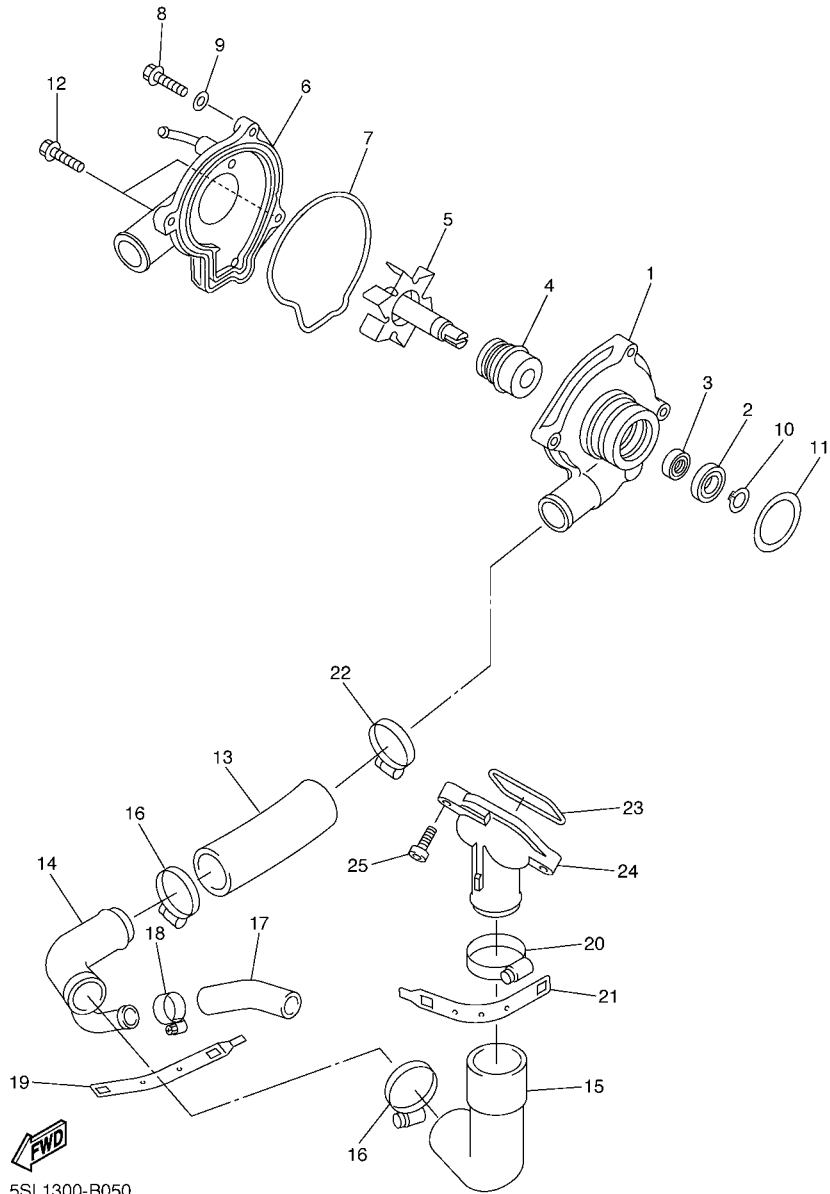
B4



5SLM300-D040

FIG. 4 CAMSHAFT & CHAIN

| REF. NO. | PART NO. | DESCRIPTION | 5SLV | 5SLX | | | | REMARKS |
|----------|--------------|---------------------------|------|------|--|--|--|---------|
| | | | | | | | | |
| 1 | 5SL-12170-00 | CAMSHAFT ASSY 1 | 1 | 1 | | | | |
| 2 | 5SL-12180-00 | CAMSHAFT ASSY 2 | 1 | 1 | | | | |
| 3 | 5EB-12176-00 | SPROCKET, CAM CHAIN | 2 | 2 | | | | |
| 4 | 90105-07004 | BOLT, FLANGE | 4 | 4 | | | | |
| 5 | 94591-49120 | CHAIN | 1 | 1 | | | | |
| 6 | 5SL-12210-10 | TENSIONER ASSY, CAM CHAIN | 1 | 1 | | | | |
| 7 | 5EL-12228-00 | .BOLT | 1 | 1 | | | | |
| 8 | 5SL-12214-00 | .GASKET | 1 | 1 | | | | |
| 9 | 4FM-12213-00 | GASKET, TENSIONER CASE | 1 | 1 | | | | |
| 10 | 91317-06025 | BOLT | 2 | 2 | | | | |
| 11 | 5EB-12251-00 | DAMPER, CHAIN 1 | 1 | 1 | | | | |
| 12 | 5EB-12252-10 | DAMPER, CHAIN 2 | 1 | 1 | | | | |
| 13 | 93607-44190 | PIN, DOWEL | 1 | 1 | | | | |
| | | | | | | | | |
| | | | | | | | | |
| | | | | | | | | |
| | | | | | | | | |

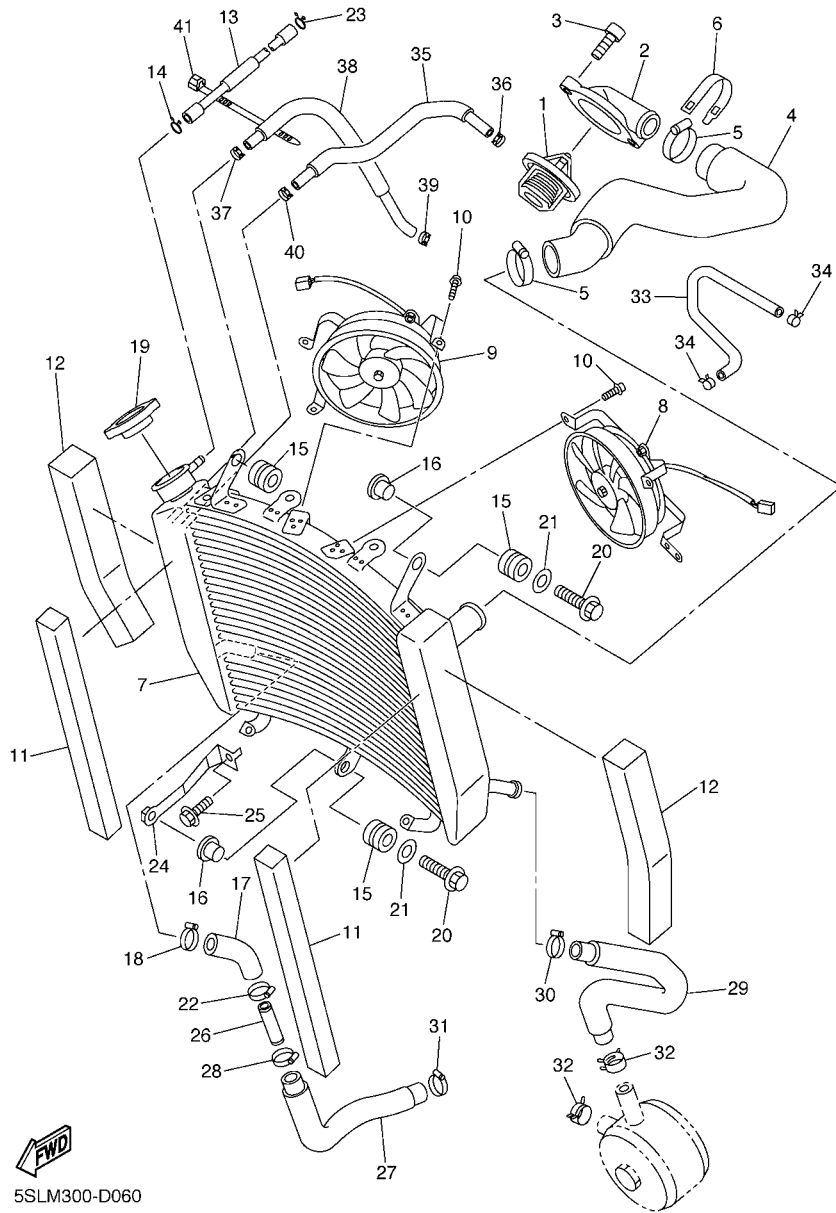


5SL1300-B050

FIG. 5 WATER PUMP

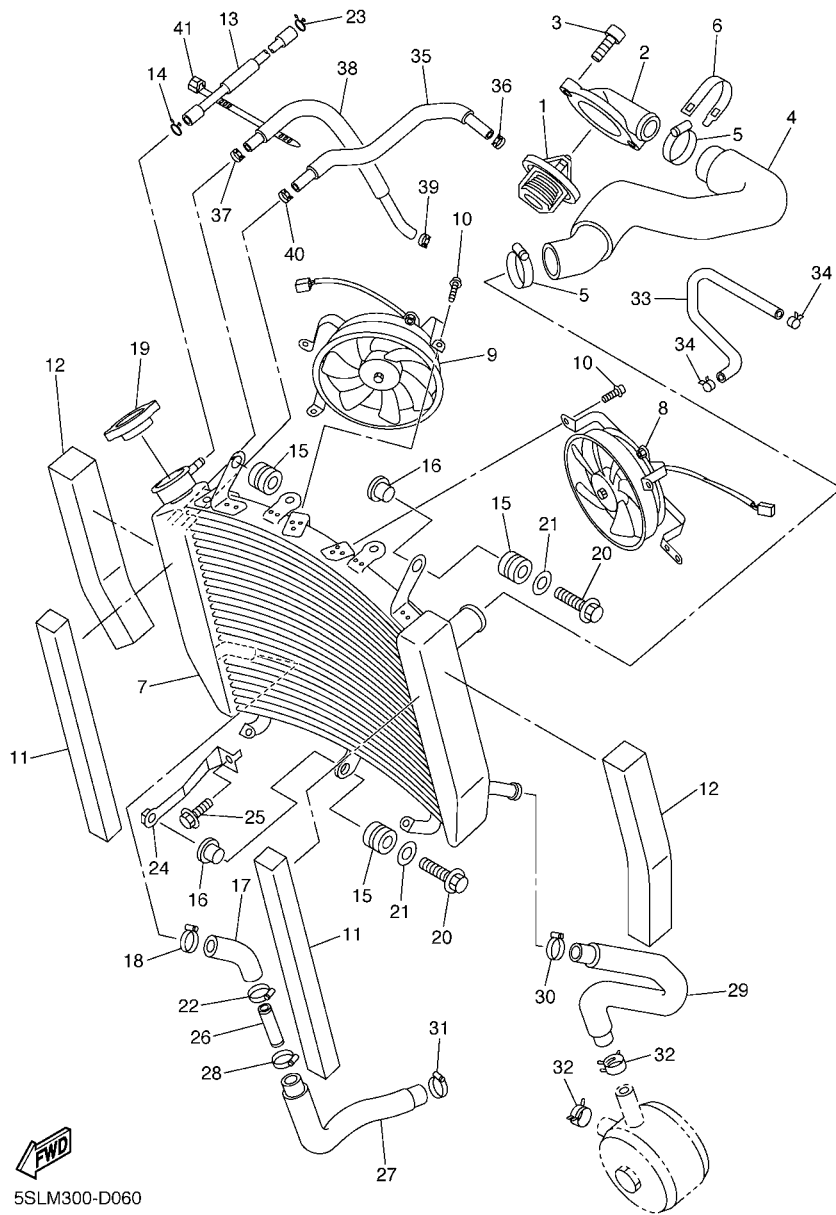
| REF. NO. | PART NO. | DESCRIPTION | 5SLV | 5SLX | REMARKS |
|----------|--------------|---------------------------|------|------|---------|
| 1 | 5EB-12421-00 | HOUSING, WATER PUMP | 1 | 1 | |
| 2 | 93306-00106 | BEARING | 1 | 1 | |
| 3 | 93101-12173 | OIL SEAL | 1 | 1 | |
| 4 | 11H-12438-10 | SEAL, MECHANICAL | 1 | 1 | |
| 5 | 5EB-12450-00 | IMPELLER SHAFT ASSY | 1 | 1 | |
| 6 | 5SL-12422-00 | COVER, HOUSING | 1 | 1 | |
| 7 | 5EB-12439-00 | O-RING | 1 | 1 | |
| 8 | 95024-06020 | BOLT, FLANGE | 2 | 2 | |
| 9 | 90430-06014 | GASKET | 1 | 1 | |
| 10 | 99009-12400 | CIRCLIP | 1 | 1 | |
| 11 | 93210-33133 | O-RING | 1 | 1 | |
| 12 | 90110-06149 | BOLT, HEXAGON SOCKET HEAD | 2 | 2 | |
| 13 | 4NK-12579-00 | HOSE 4 | 1 | 1 | |
| 14 | 5EB-12581-00 | JOINT, HOSE 1 | 1 | 1 | |
| 15 | 5EB-12577-01 | HOSE 2 | 1 | 1 | |
| 16 | 90450-35001 | HOSE CLAMP ASSY | 2 | 2 | |
| 17 | 5SL-12588-01 | HOSE 5 | 1 | 1 | |
| 18 | 90450-22017 | HOSE CLAMP ASSY | 1 | 1 | |
| 19 | 5GV-1246E-00 | COVER 2 | 1 | 1 | |
| 20 | 90450-38040 | HOSE CLAMP ASSY | 1 | 1 | |
| 21 | 5GV-1246A-00 | COVER 1 | 1 | 1 | |
| 22 | 90450-32001 | HOSE CLAMP ASSY | 1 | 1 | |
| 23 | 93210-47675 | O-RING | 1 | 1 | |
| 24 | 5EB-12469-00 | JOINT 1 | 1 | 1 | |
| 25 | 90105-06053 | BOLT, FLANGE | 2 | 2 | |

FIG. 6 RADIATOR & HOSE



5SLM300-D060

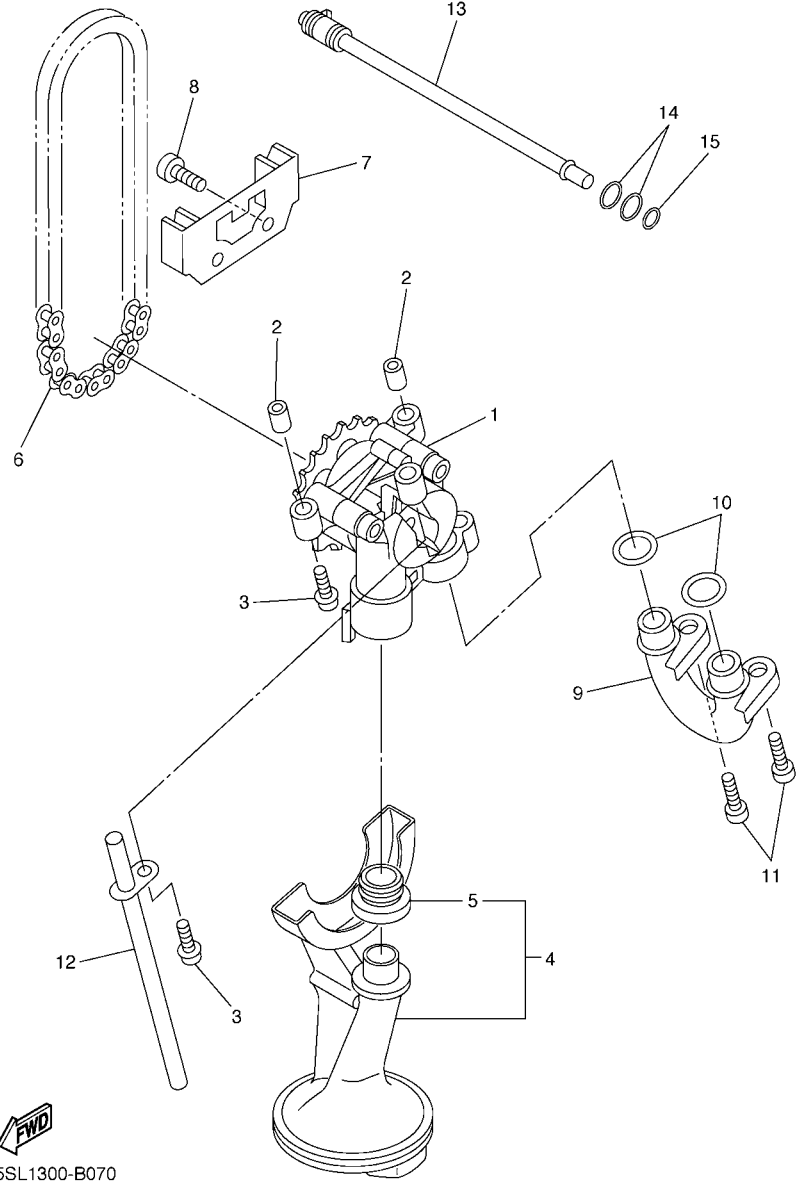
| REF. NO. | PART NO. | DESCRIPTION | 5SLV | 5SLX | REMARKS |
|----------|--------------|----------------------|------|------|---------|
| 1 | 5SL-12410-00 | THERMOSTAT ASSY | 1 | 1 | |
| 2 | 5EB-12413-00 | COVER, THERMOSTAT | 1 | 1 | |
| 3 | 91317-06020 | BOLT | 2 | 2 | |
| 4 | 5SL-12578-00 | HOSE 3 | 1 | 1 | |
| 5 | 90450-35001 | HOSE CLAMP ASSY | 2 | 2 | |
| 6 | 5GV-1246E-00 | COVER 2 | 1 | 1 | |
| 7 | 5SL-12461-10 | RADIATOR ASSY | 1 | 1 | |
| 8 | 5SL-12405-10 | BLOWER ASSY | 1 | 1 | |
| 9 | 5SL-12405-20 | BLOWER ASSY | 1 | 1 | |
| 10 | 5GJ-12675-00 | BOLT, BLOWER HOLDING | 6 | 6 | |
| 11 | 5SL-12659-00 | DAMPER, AIR SHROUD 2 | 2 | 2 | |
| 12 | 5EB-12668-00 | DAMPER, AIR SHROUD 3 | 2 | 2 | |
| 13 | 90445-08016 | HOSE | 1 | 1 | |
| 14 | 90467-08075 | CLIP | 1 | 1 | |
| 15 | 90480-15363 | GROMMET | 3 | 3 | |
| 16 | 90387-07391 | COLLAR | 2 | 2 | |
| 17 | 5SL-12579-10 | HOSE 4 | 1 | 1 | |
| 18 | 90450-35001 | HOSE CLAMP ASSY | 1 | 1 | |
| 19 | 5SL-12462-00 | CAP, RADIATOR | 1 | 1 | |
| 20 | 90105-06040 | BOLT, FLANGE | 2 | 2 | |
| 21 | 90201-06071 | WASHER, PLATE | 2 | 2 | |
| 22 | 90450-35001 | HOSE CLAMP ASSY | 1 | 1 | |
| 23 | 90467-08075 | CLIP | 1 | 1 | |
| 24 | 5SL-1244E-10 | BRACKET 1 | 1 | 1 | |
| 25 | 95827-06012 | BOLT, FLANGE | 1 | 1 | |
| 26 | 5SL-12582-10 | JOINT, HOSE 2 | 1 | 1 | |
| 27 | 5SL-12551-10 | HOSE 7 | 1 | 1 | |



5SLM300-D060

FIG. 6 RADIATOR & HOSE

| REF. NO. | PART NO. | DESCRIPTION | 5SLV | 5SLX | REMARKS |
|----------|--------------|-----------------|------|------|---------|
| 28 | 90450-35001 | HOSE CLAMP ASSY | 1 | 1 | |
| 29 | 5SL-12589-01 | HOSE 6 | 1 | 1 | |
| 30 | 90450-22017 | HOSE CLAMP ASSY | 1 | 1 | |
| 31 | 90450-32001 | HOSE CLAMP ASSY | 1 | 1 | |
| 32 | 90467-200A0 | CLIP | 2 | 2 | |
| 33 | 5SL-1243A-00 | HOSE 1 | 1 | 1 | |
| 34 | 90467-11090 | CLIP | 2 | 2 | |
| 35 | 5SL-1243E-00 | HOSE 2 | 1 | 1 | |
| 36 | 90467-11090 | CLIP | 1 | 1 | |
| 37 | 90467-11090 | CLIP | 1 | 1 | |
| 38 | 5SL-1244G-00 | HOSE, 4 | 1 | 1 | |
| 39 | 90467-11090 | CLIP | 1 | 1 | |
| 40 | 90467-11090 | CLIP | 1 | 1 | |
| 41 | 90464-28002 | CLAMP | 1 | 1 | |

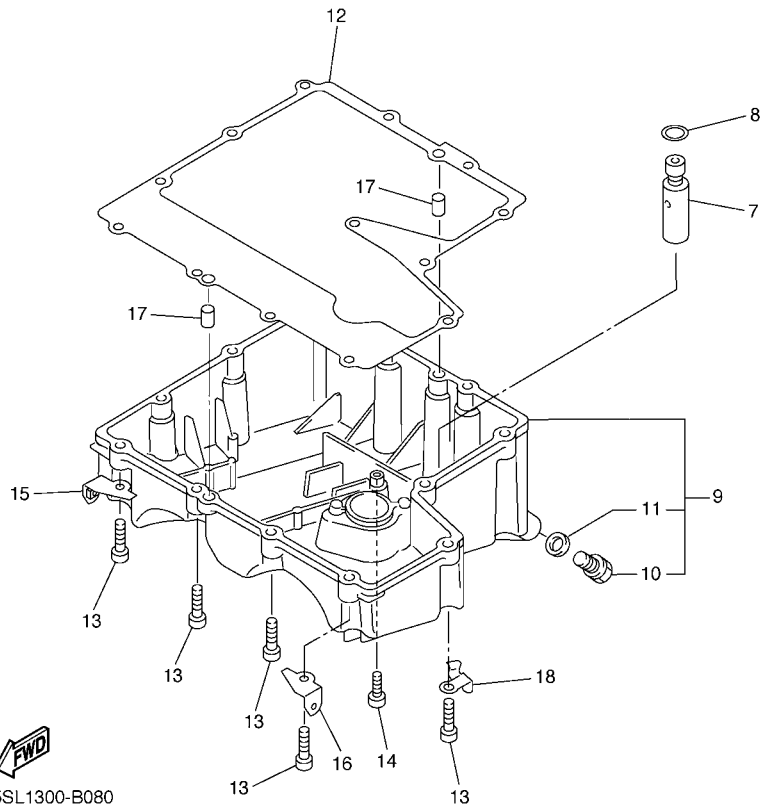
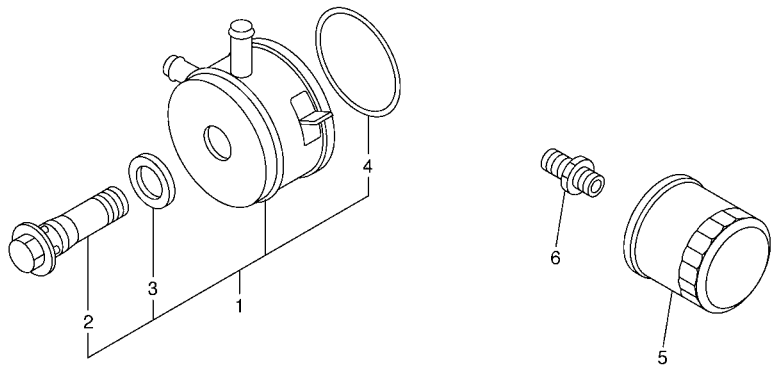


5SL1300-B070

FIG. 7 OIL PUMP

| REF. NO. | PART NO. | DESCRIPTION | 5SLV | 5SLX | REMARKS |
|----------|--------------|---------------------------|------|------|---------|
| | | | | | |
| 1 | 5MT-13300-00 | OIL PUMP ASSY | 1 | 1 | |
| 2 | 91808-17032 | PIN, DOWEL | 2 | 2 | |
| 3 | 90109-06031 | BOLT | 3 | 3 | |
| 4 | 5SL-13410-00 | STRAINER HOUSING ASSY | 1 | 1 | |
| 5 | 5EB-13415-00 | .SEAL, OIL STRAINER | 1 | 1 | |
| 6 | 94580-25080 | CHAIN | 1 | 1 | |
| 7 | 5EB-13898-00 | HOLDER | 1 | 1 | |
| 8 | 90110-06041 | BOLT, HEXAGON SOCKET HEAD | 2 | 2 | |
| 9 | 5JW-13416-00 | PIPE, OIL 1 | 1 | 1 | |
| 10 | 93210-14003 | O-RING | 2 | 2 | |
| 11 | 90110-06041 | BOLT, HEXAGON SOCKET HEAD | 2 | 2 | |
| 12 | 5EB-13161-00 | PIPE, DELIVERY 1 | 1 | 1 | |
| 13 | 5EB-1316E-00 | PIPE, DELIVERY 5 | 1 | 1 | |
| 14 | 93210-09165 | O-RING | 2 | 2 | |
| 15 | 93210-06667 | O-RING | 1 | 1 | |
| | | | | | |
| | | | | | |
| | | | | | |
| | | | | | |

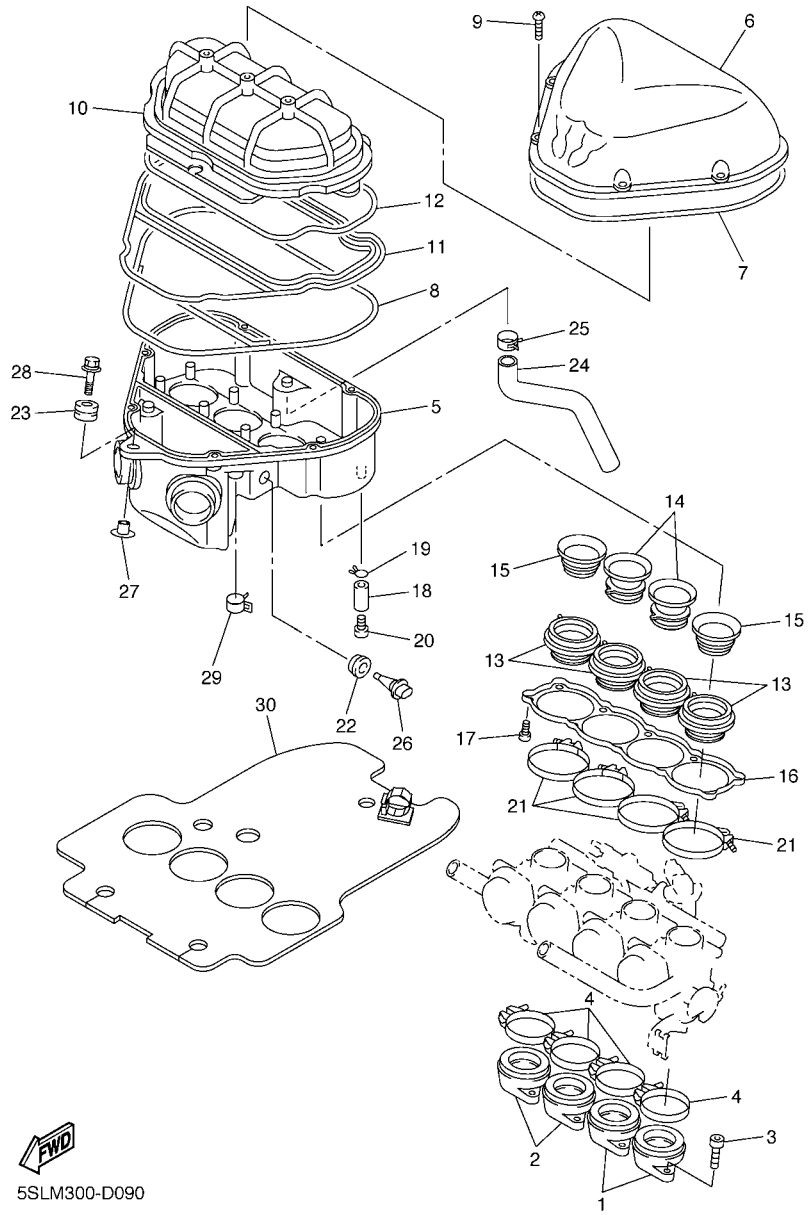
B10




5SL1300-B080

FIG. 8 OIL CLEANER

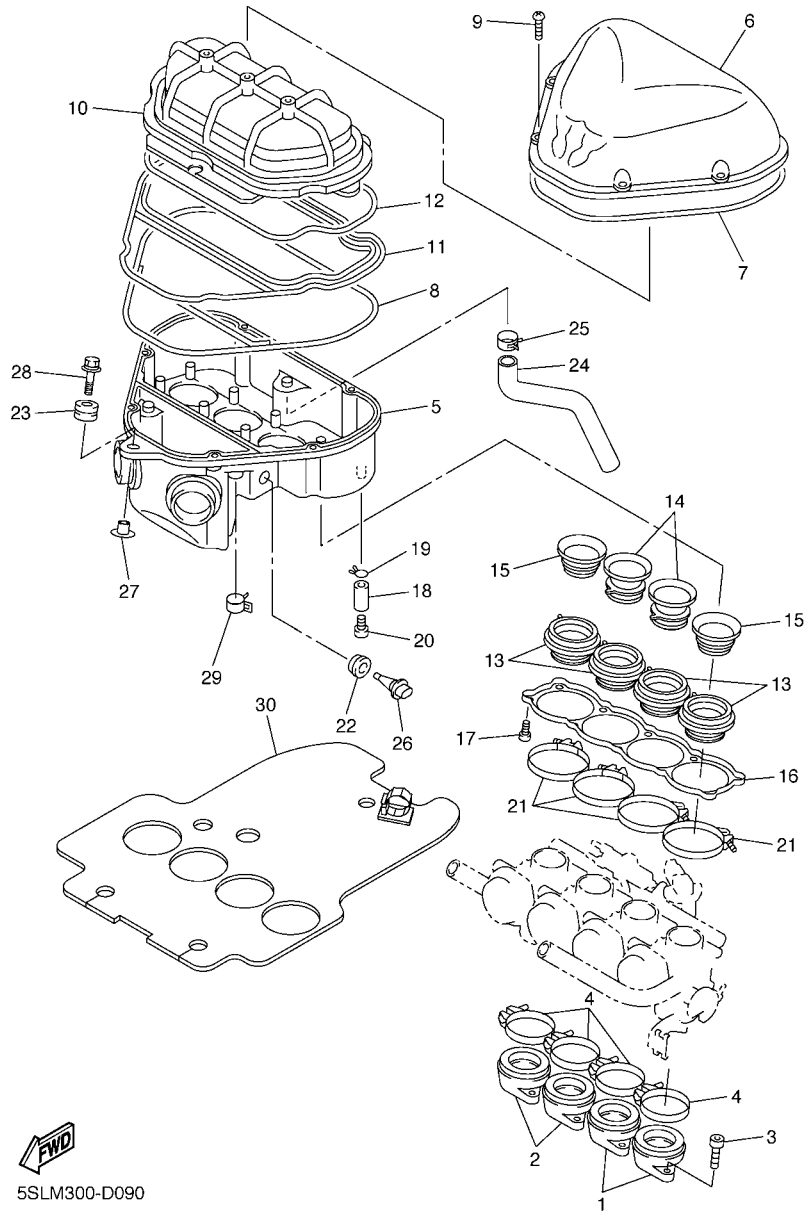
| REF. NO. | PART NO. | DESCRIPTION | 5SLV | 5SLX | REMARKS |
|----------|--------------|---------------------------|------|------|---------|
| 1 | 5EB-13470-00 | OIL COOLER ASSY | 1 | 1 | |
| 2 | 5EB-12822-00 | .BOLT, UNION | 1 | 1 | |
| 3 | 5EB-13475-00 | .GASKET | 1 | 1 | |
| 4 | 5JW-13473-00 | .O-RING | 1 | 1 | |
| 5 | 5GH-13440-00 | ELEMENT ASSY, OIL CLEANER | 1 | 1 | |
| 6 | 90401-20145 | BOLT, UNION | 1 | 1 | |
| 7 | 3KS-13490-00 | RELIEF VALVE ASSY | 1 | 1 | |
| 8 | 93210-15566 | O-RING | 1 | 1 | |
| 9 | 5SL-13417-00 | COVER, STRAINER | 1 | 1 | |
| 10 | 90340-14132 | .PLUG, STRAIGHT SCREW | 1 | 1 | |
| 11 | 214-11198-01 | .GASKET | 1 | 1 | |
| 12 | 5SL-13414-00 | GASKET, STRAINER COVER | 1 | 1 | |
| 13 | 91317-06025 | BOLT | 12 | 12 | |
| 14 | 90110-06020 | BOLT, HEXAGON SOCKET HEAD | 1 | 1 | |
| 15 | 5EB-2836E-00 | BRACKET 2 | 1 | 1 | |
| 16 | 5EB-2836A-00 | BRACKET 1 | 1 | 1 | |
| 17 | 99530-08012 | PIN, DOWEL | 2 | 2 | |
| 18 | 90465-10030 | CLAMP | 1 | 1 | |



5SLM300-D090

FIG. 9 INTAKE

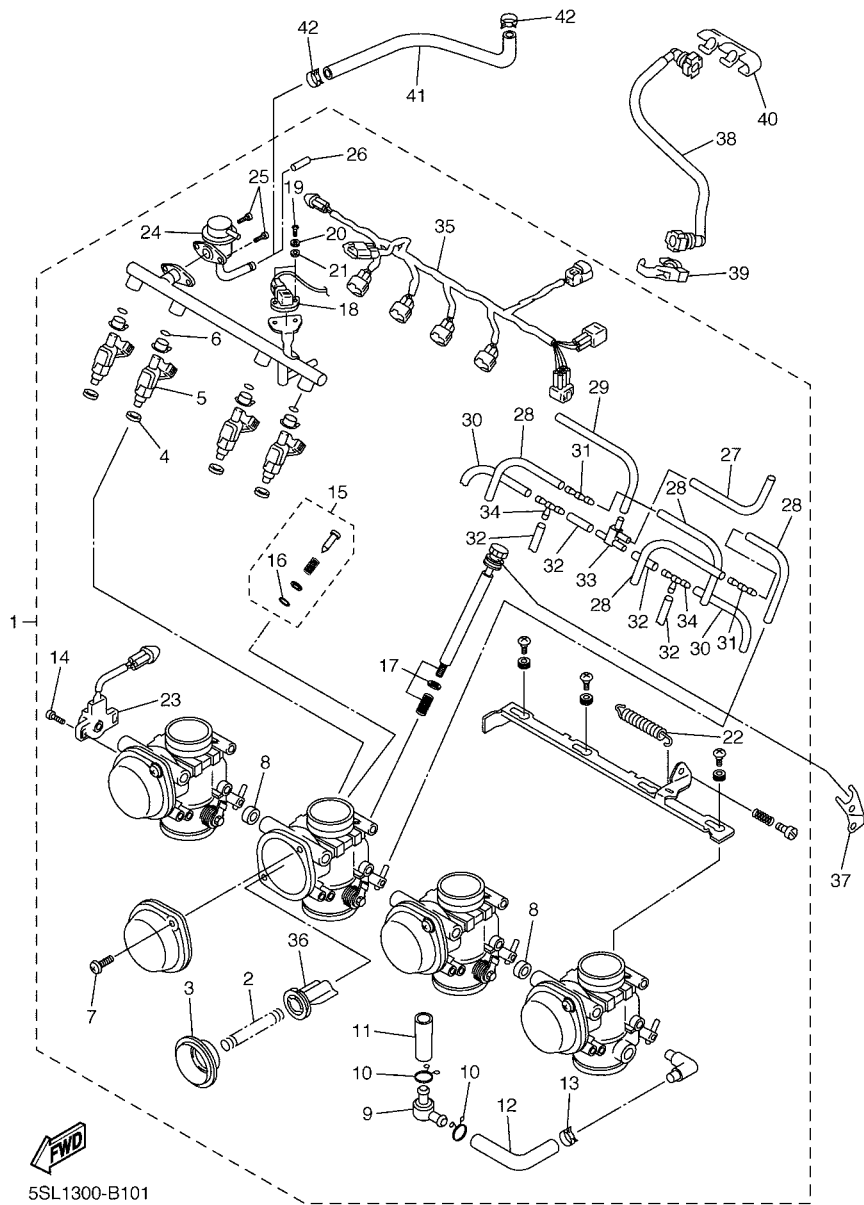
| REF. NO. | PART NO. | DESCRIPTION | 5SLV | 5SLX | REMARKS |
|----------|--------------|-----------------------------|------|------|---------|
| 1 | 5SL-13586-10 | JOINT, CARBURETOR 1 | 2 | 2 | |
| 2 | 5SL-13596-10 | JOINT, CARBURETOR 2 | 2 | 2 | |
| 3 | 91317-06020 | BOLT | 8 | 8 | |
| 4 | 90450-63003 | HOSE CLAMP ASSY | 4 | 4 | |
| 5 | 5SL-14411-00 | CASE, AIR CLEANER 1 | 1 | 1 | |
| 6 | 5SL-14421-00 | CASE, AIR CLEANER 2 | 1 | 1 | |
| 7 | 5EB-14452-00 | SEAL | 1 | 1 | |
| 8 | 5EB-14462-00 | SEAL | 1 | 1 | |
| 9 | 98507-05025 | SCREW, PAN HEAD | 6 | 6 | |
| 10 | 5SL-14450-00 | ELEMENT ASSY, AIR CLEANER | 1 | 1 | |
| 11 | 5EB-1441F-01 | PARTITION, AIR CLEANER CASE | 1 | 1 | |
| 12 | 5EB-14457-00 | SEAL | 1 | 1 | |
| 13 | 5SL-14453-10 | JOINT, AIR CLEANER 1 | 4 | 4 | |
| 14 | 5SL-14469-10 | FUNNEL, AIR | 2 | 2 | |
| 15 | 5SL-14479-10 | FUNNEL | 2 | 2 | |
| 16 | 5SL-14477-00 | PLATE | 1 | 1 | |
| 17 | 97707-50120 | SCREW, TAPPING | 10 | 10 | |
| 18 | 90445-11795 | HOSE (L30) | 1 | 1 | |
| 19 | 90467-10041 | CLIP | 1 | 1 | |
| 20 | 90338-08174 | PLUG | 1 | 1 | |
| 21 | 90450-53002 | HOSE CLAMP ASSY | 4 | 4 | |
| 22 | 5CA-14435-00 | GROMMET | 1 | 1 | |
| 23 | 90480-12314 | GROMMET | 1 | 1 | |
| 24 | 5SL-15373-00 | PIPE, BREATHER | 1 | 1 | |
| 25 | 90467-15054 | CLIP | 1 | 1 | |
| 26 | 5CA-85886-00 | SENSOR, AIR TEMPRATURE | 1 | 1 | |
| 27 | 90387-065J6 | COLLAR | 1 | 1 | |



FWD
5SLM300-D090

FIG. 9 INTAKE

| REF. NO. | PART NO. | DESCRIPTION | 5SLV | 5SLX | REMARKS |
|----------|--------------|-------------------|------|------|---------|
| 28 | 90119-06172 | BOLT, WITH WASHER | 1 | 1 | |
| 29 | 90467-17128 | CLIP | 2 | 2 | |
| 30 | 5SL-12682-10 | PROTECTOR, HEAT | 1 | 1 | |
| ----- | | | | | |
| ----- | | | | | |
| ----- | | | | | |
| ----- | | | | | |
| ----- | | | | | |
| ----- | | | | | |
| ----- | | | | | |
| ----- | | | | | |
| ----- | | | | | |

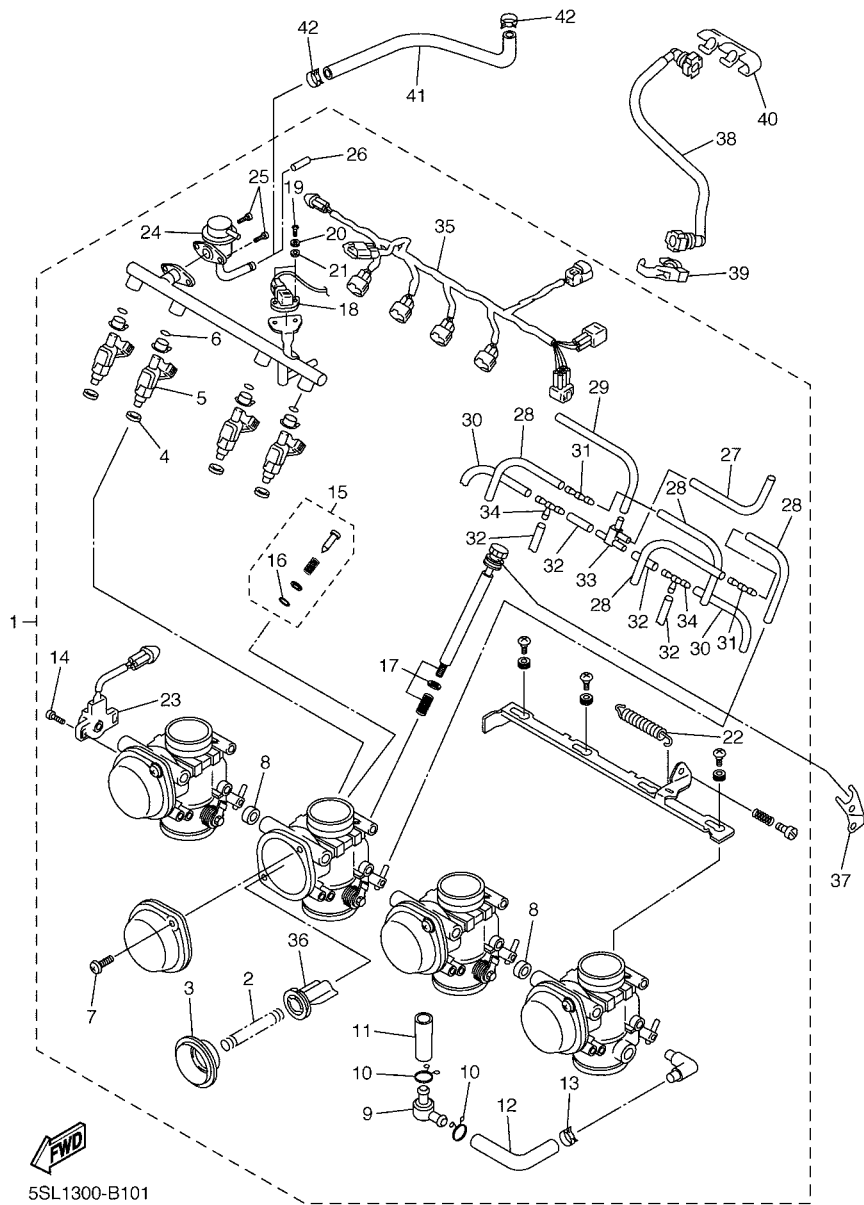


5SL1300-B101

FIG. 10 INTAKE 2

| REF. NO. | PART NO. | DESCRIPTION | 5SLV | 5SLX | REMARKS |
|----------|--------------|-----------------------|------|------|---------|
| 1 | 5SL-13750-30 | THROTTLE BODY ASSY | 1 | 1 | |
| 2 | 4SV-14933-00 | .SPRING, DIAPHRAGM | 4 | 4 | |
| 3 | 5SL-24411-00 | .DIAPHRAGM | 4 | 4 | |
| 4 | 5SL-13556-00 | .GASKET | 4 | 4 | |
| 5 | 5SL-13761-00 | .INJECTOR ASSY | 4 | 4 | |
| 6 | 5FL-14147-00 | .O-RING | 4 | 4 | |
| 7 | 4KM-14216-00 | .SCREW | 8 | 8 | |
| 8 | 5SL-14987-00 | .HOSE | 2 | 2 | |
| 9 | 3LN-24515-00 | .NET, FILTER 2 | 2 | 2 | |
| 10 | 90467-15012 | .CLIP | 4 | 4 | |
| 11 | 5SL-14148-00 | .PIPE | 2 | 2 | |
| 12 | 5SL-14348-00 | .PIPE 1 | 2 | 2 | |
| 13 | 90467-15001 | .CLIP | 2 | 2 | |
| 14 | 8CC-14216-10 | .SCREW | 2 | 2 | |
| 15 | 5JW-14104-00 | .AIR SCREW SET | 4 | 4 | |
| 16 | 3H1-14147-00 | .O-RING | 1 | 1 | |
| 17 | 5SL-14103-00 | .THROTTLE SCREW SET | 1 | 1 | |
| 18 | 5JW-82380-00 | .SENSOR, PRESSURE | 1 | 1 | |
| 19 | 98507-05016 | .SCREW, PAN HEAD | 2 | 2 | |
| 20 | 92907-05100 | .WASHER, SPRING | 2 | 2 | |
| 21 | 92907-05600 | .WASHER, PLATE | 2 | 2 | |
| 22 | 5JW-14589-00 | .SPRING | 1 | 1 | |
| 23 | 5SL-85885-00 | .THROTTLE SENSOR ASSY | 1 | 1 | |
| 24 | 5SL-13906-10 | .REGULATOR, PRESSURE | 1 | 1 | |
| 25 | 98507-05008 | .SCREW, PAN HEAD | 2 | 2 | |
| 26 | 5JW-14118-00 | .CAP | 1 | 1 | |
| 27 | 5SL-14349-00 | .PIPE | 1 | 1 | |

B14

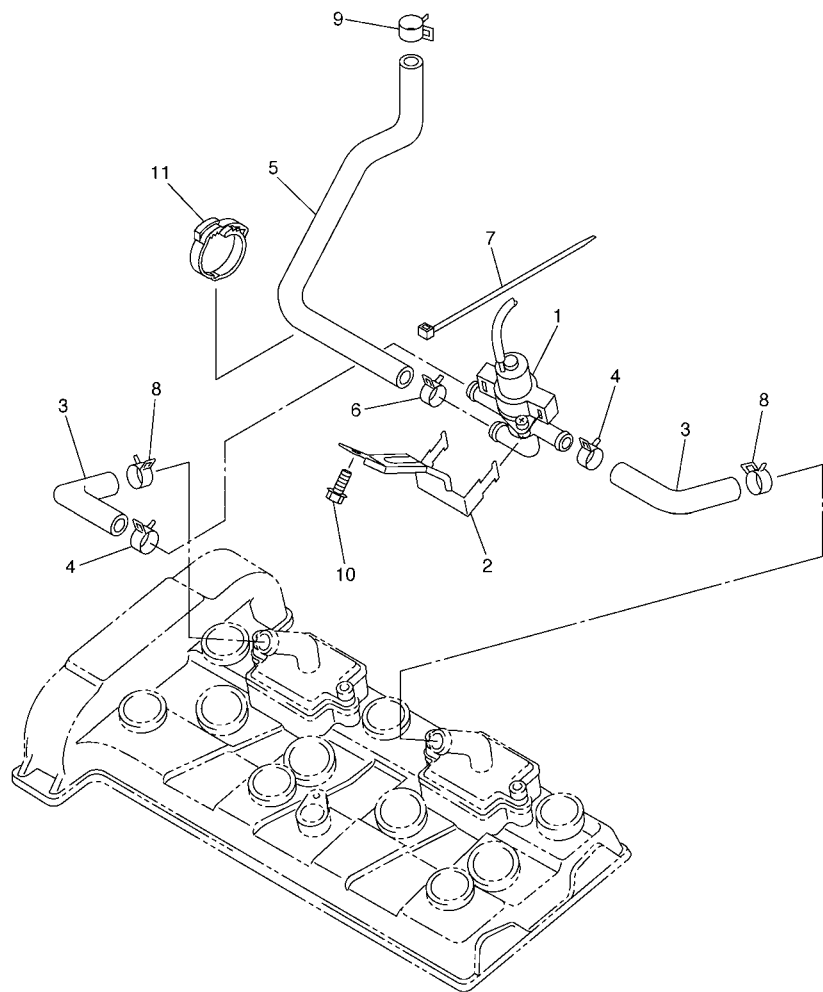


5SL1300-B101

FIG. 10 INTAKE 2

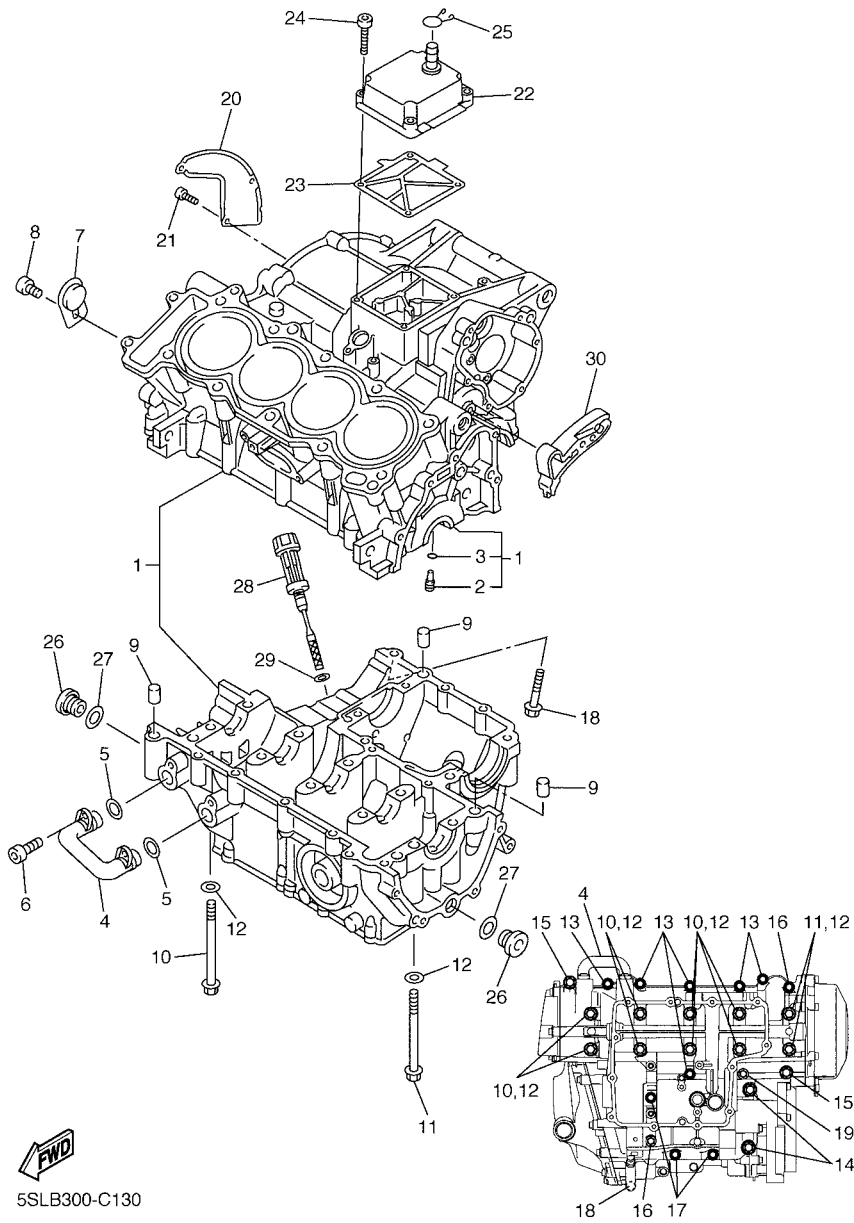
| REF. NO. | PART NO. | DESCRIPTION | 5SLV | 5SLX | REMARKS |
|----------|--------------|--------------------------|------|------|---------|
| 28 | 5PW-14396-00 | .PIPE | 4 | 4 | |
| 29 | 5PW-14349-00 | .PIPE | 1 | 1 | |
| 30 | 68V-13533-00 | .HOSE, VACUUM SENSING 4 | 2 | 2 | |
| 31 | 5PW-14251-00 | .NIPPLE | 2 | 2 | |
| 32 | 5FL-14348-10 | .PIPE 1 | 4 | 4 | |
| 33 | 5PW-1410F-00 | .CONNECTOR | 1 | 1 | |
| 34 | 68V-24376-00 | .PIPE, JOINT 1 | 2 | 2 | |
| 35 | 5SL-82386-00 | .EXTENSION, WIRE HARNESS | 1 | 1 | |
| 36 | 5PW-14112-00 | .VALVE, THROTTLE 1 | 4 | 4 | |
| 37 | 5SL-14413-00 | STAY | 1 | 1 | |
| 38 | 5SL-13971-00 | PIPE, FUEL 1 | 1 | 1 | |
| 39 | 90464-16005 | CLAMP | 1 | 1 | |
| 40 | 90464-16005 | CLAMP | 1 | 1 | |
| 41 | 5SL-13972-00 | PIPE, FUEL 2 | 1 | 1 | |
| 42 | 90467-12003 | CLIP | 2 | 2 | |

FIG. 11 AIR INDUCTION SYSTEM



| REF. NO. | PART NO. | DESCRIPTION | 5SLV | 5SLX | REMARKS |
|----------|--------------|---------------------|------|------|---------|
| | | | | | |
| 1 | 5SL-14840-00 | AIR CUT VALVE ASS'Y | 1 | 1 | |
| 2 | 5SL-14834-10 | STAY | 1 | 1 | |
| 3 | 5SL-14881-00 | HOSE, BEND 1 | 2 | 2 | |
| 4 | 90467-18172 | CLIP | 2 | 2 | |
| 5 | 5SL-14882-00 | HOSE, BEND 2 | 1 | 1 | |
| 6 | 90467-18172 | CLIP | 1 | 1 | |
| 7 | 5Y9-12491-00 | CLAMP 1 | 1 | 1 | |
| 8 | 90467-180A0 | CLIP | 2 | 2 | |
| 9 | 90467-17128 | CLIP | 1 | 1 | |
| 10 | 90105-06020 | BOLT, FLANGE | 1 | 1 | |
| 11 | 90464-28003 | CLAMP | 1 | 1 | |
| | | | | | |
| | | | | | |
| | | | | | |
| | | | | | |
| | | | | | |
| | | | | | |

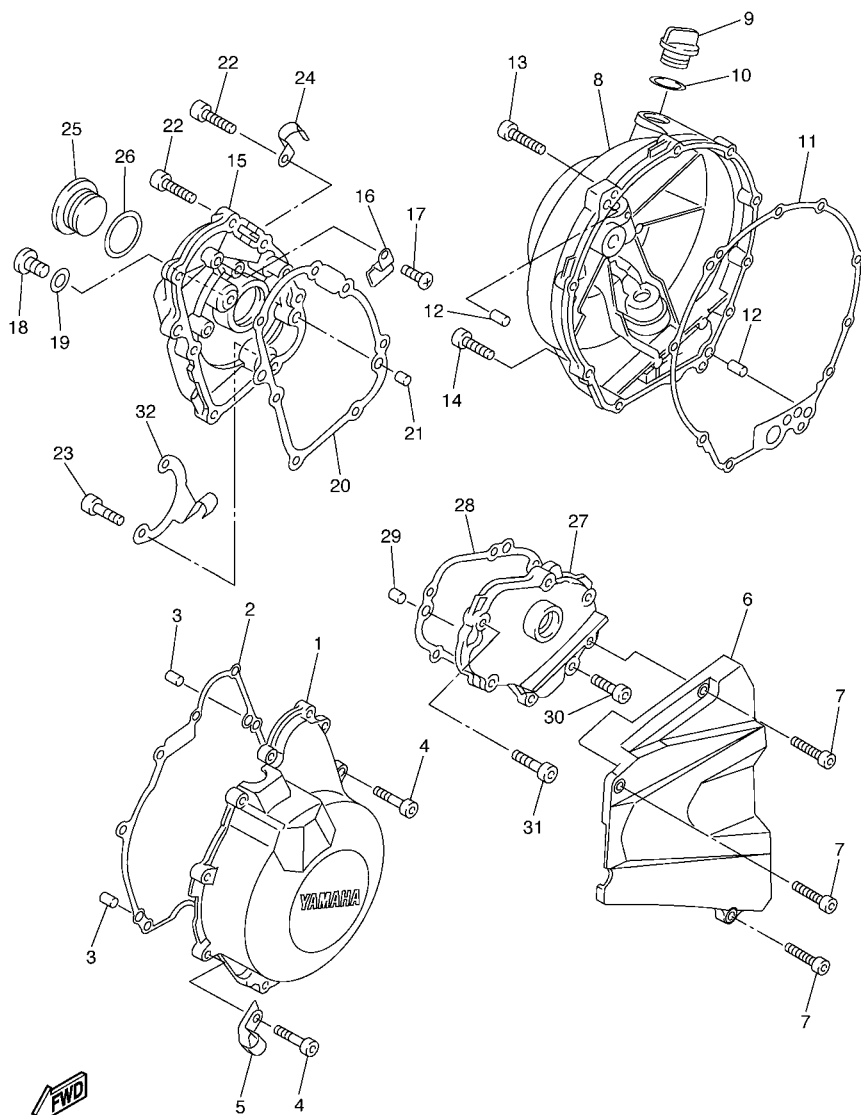
 5SLM300-D110



5SLB300-C130

FIG. 13 CRANKCASE

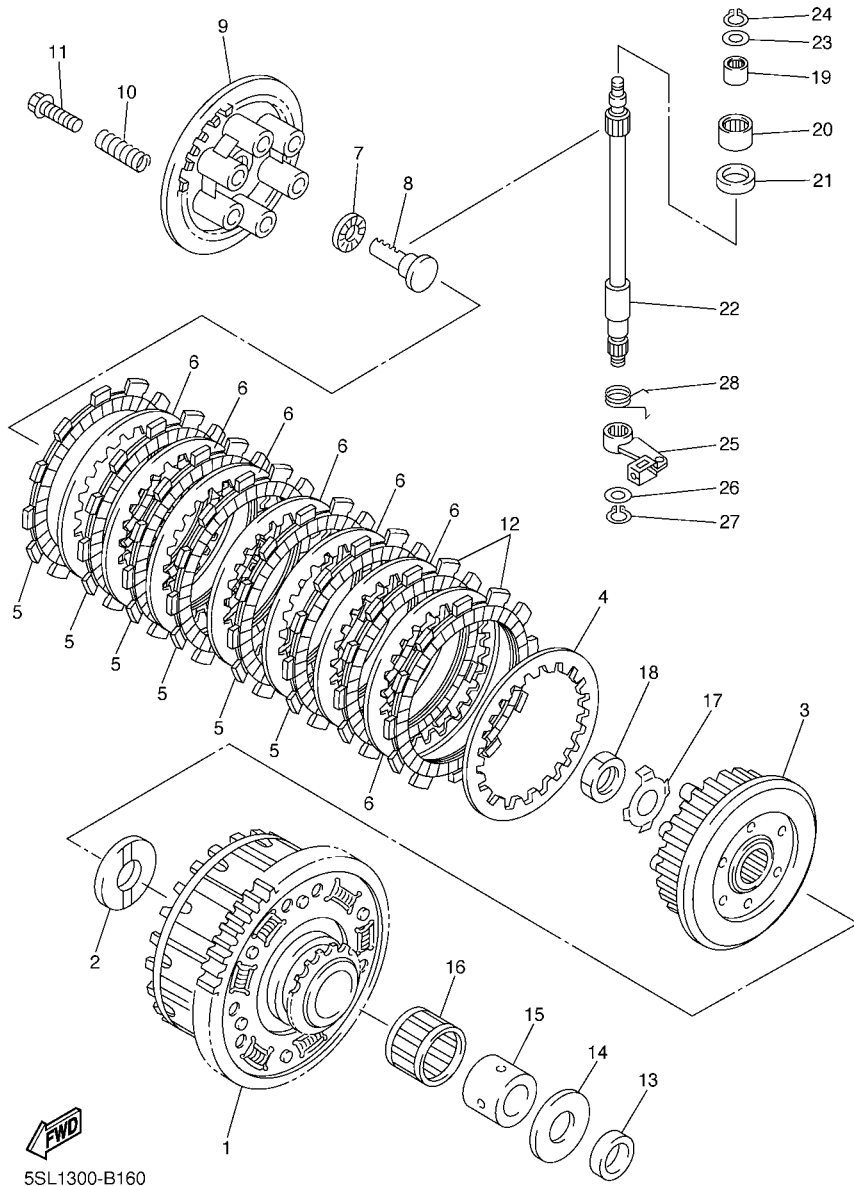
| REF. NO. | PART NO. | DESCRIPTION | 5SLV | 5SLX | REMARKS |
|----------|--------------|---------------------------|------|------|---------|
| 1 | 5SL-15100-01 | CRANKCASE ASSY | 1 | 1 | |
| 2 | 5EB-15155-00 | .NOZZLE 3 | 4 | 4 | |
| 3 | 93210-04092 | .O-RING | 4 | 4 | |
| 4 | 5EB-13418-00 | PIPE, OIL 2 | 1 | 1 | |
| 5 | 93210-14579 | O-RING | 2 | 2 | |
| 6 | 90110-06041 | BOLT, HEXAGON SOCKET HEAD | 2 | 2 | |
| 7 | 5SL-15189-00 | PLUG | 1 | 1 | |
| 8 | 90149-06020 | SCREW | 1 | 1 | |
| 9 | 99530-10014 | PIN, DOWEL | 3 | 3 | |
| 10 | 90105-087A0 | BOLT, FLANGE | 8 | 8 | |
| 11 | 90105-086A9 | BOLT, FLANGE | 2 | 2 | |
| 12 | 90201-087K3 | WASHER, PLATE | 10 | 10 | |
| 13 | 95817-06055 | BOLT, FLANGE | 6 | 6 | |
| 14 | 95817-08065 | BOLT, FLANGE | 2 | 2 | |
| 15 | 90109-065G3 | BOLT | 2 | 2 | |
| 16 | 95817-06065 | BOLT, FLANGE | 2 | 2 | |
| 17 | 95817-06045 | BOLT, FLANGE | 3 | 3 | |
| 18 | 95817-06100 | BOLT, FLANGE | 1 | 1 | |
| 19 | 90105-06006 | BOLT, FLANGE | 1 | 1 | |
| 20 | 5SL-11165-00 | PLATE, BREATHER | 1 | 1 | |
| 21 | 90149-06020 | SCREW | 3 | 3 | |
| 22 | 5VX-15413-01 | COVER | 1 | 1 | |
| 23 | 5SL-15462-00 | GASKET, CRANKCASE COVER 3 | 1 | 1 | |
| 24 | 91314-06025 | BOLT | 4 | 4 | |
| 25 | 90467-14015 | CLIP | 1 | 1 | |
| 26 | 36Y-15189-00 | PLUG | 2 | 2 | |
| 27 | 93210-16325 | O-RING | 2 | 2 | |



5SL1300-B140

FIG. 14 CRANKCASE COVER 1

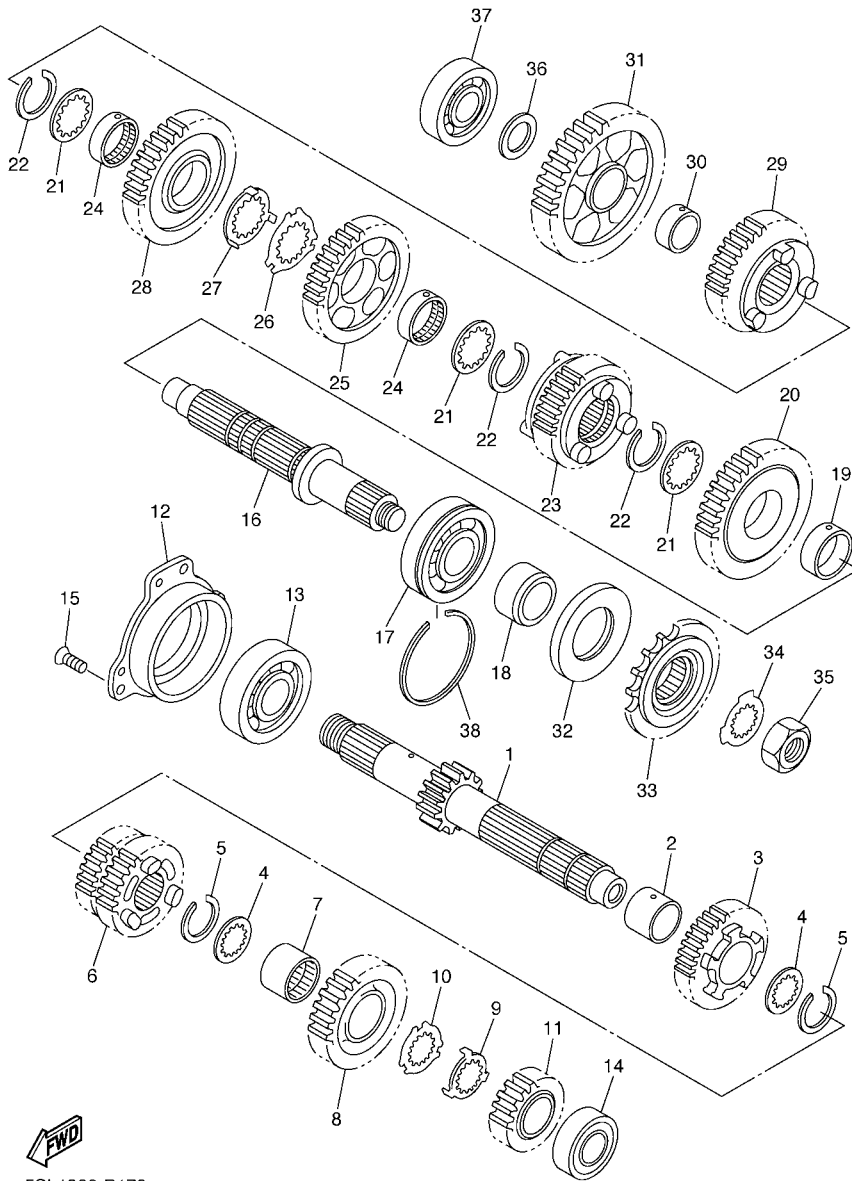
| REF. NO. | PART NO. | DESCRIPTION | 5SLV | 5SLX | REMARKS |
|----------|--------------|---------------------------|------|------|---------|
| 1 | 5SL-15411-00 | COVER, CRANKCASE 1 | 1 | 1 | |
| 2 | 5VX-15451-00 | GASKET, CRANKCASE COVER 1 | 1 | 1 | |
| 3 | 99530-08012 | PIN, DOWEL | 2 | 2 | |
| 4 | 91314-06025 | BOLT | 9 | 9 | |
| 5 | 90461-10006 | CLAMP | 1 | 1 | |
| 6 | 5SL-15418-00 | COVER, CHAIN CASE | 1 | 1 | |
| 7 | 91314-06025 | BOLT | 3 | 3 | |
| 8 | 5SL-15421-00 | COVER, CRANKCASE 2 | 1 | 1 | |
| 9 | 3F9-15362-00 | PLUG, OIL LEVEL | 1 | 1 | |
| 10 | 93210-27194 | O-RING | 1 | 1 | |
| 11 | 5SL-15461-00 | GASKET, CRANKCASE COVER 2 | 1 | 1 | |
| 12 | 93608-17263 | PIN, DOWEL | 2 | 2 | |
| 13 | 90109-06031 | BOLT | 9 | 9 | |
| 14 | 90110-06071 | BOLT, HEXAGON SOCKET HEAD | 1 | 1 | |
| 15 | 5SL-15416-00 | COVER, OIL PUMP | 1 | 1 | |
| 16 | 90465-14011 | CLAMP | 1 | 1 | |
| 17 | 90157-06077 | SCREW, PAN HEAD | 1 | 1 | |
| 18 | 92014-08014 | BOLT, BUTTON HEAD | 1 | 1 | |
| 19 | 90430-08143 | GASKET | 1 | 1 | |
| 20 | 5SL-15456-00 | GASKET, OIL PUMP COVER 1 | 1 | 1 | |
| 21 | 99530-08012 | PIN, DOWEL | 2 | 2 | |
| 22 | 90109-06014 | BOLT | 5 | 5 | |
| 23 | 90109-06015 | BOLT | 2 | 2 | |
| 24 | 90465-08395 | CLAMP | 1 | 1 | |
| 25 | 90340-32004 | PLUG, STRAIGHT SCREW | 1 | 1 | |
| 26 | 93210-32172 | O-RING | 1 | 1 | |
| 27 | 5SL-15425-00 | COVER, GENERATOR 2 | 1 | 1 | |



5SL1300-B160

FIG. 16 CLUTCH

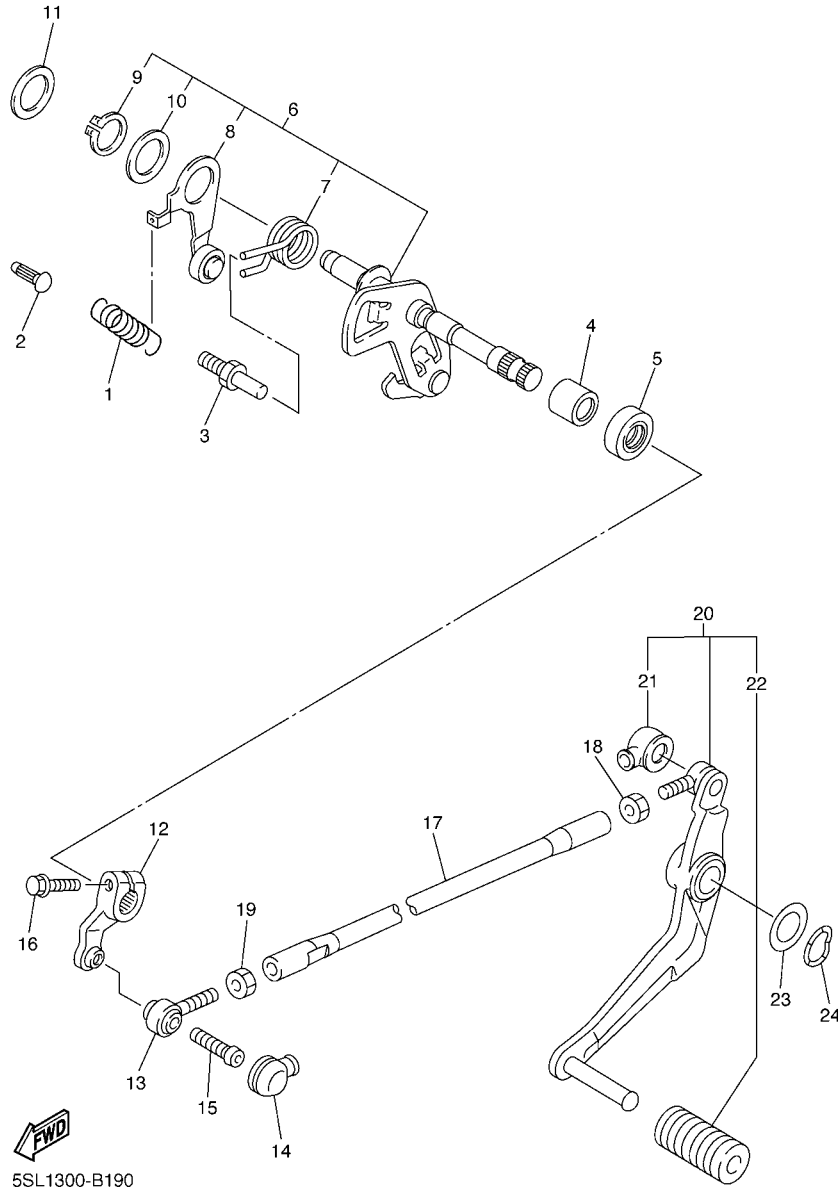
| REF. NO. | PART NO. | DESCRIPTION | 5SLV | 5SLX | REMARKS |
|----------|--------------|---------------------------|------|------|---------|
| 1 | 5SL-16150-10 | PRIMARY DRIVEN GEAR COMP. | 1 | 1 | |
| 2 | 5EB-16154-00 | PLATE, THRUST 1 | 1 | 1 | |
| 3 | 5SL-16371-00 | BOSS, CLUTCH | 1 | 1 | |
| 4 | 168-16324-00 | PLATE, CLUTCH 1 (T=2.3) | 1 | 1 | |
| 5 | 4FN-16321-00 | PLATE, FRICTION | 6 | 6 | |
| 6 | 3J2-16324-00 | PLATE, CLUTCH 1 (T=2.0) | 7 | 7 | |
| 7 | 93306-00304 | BEARING | 1 | 1 | |
| 8 | 5EB-16356-01 | ROD, PUSH 1 | 1 | 1 | |
| 9 | 5EB-16351-01 | PLATE, PRESSURE 1 | 1 | 1 | |
| 10 | 90501-237L0 | SPRING, COMPRESSION | 6 | 6 | |
| 11 | 90159-06002 | SCREW, WITH WASHER | 6 | 6 | |
| 12 | 5SL-16321-00 | PLATE, FRICTION | 2 | 2 | |
| 13 | 90201-255A6 | WASHER, PLATE | 1 | 1 | |
| 14 | 1AE-16164-00 | PLATE, THRUST 2 | 1 | 1 | |
| 15 | 90560-25270 | SPACER | 1 | 1 | |
| 16 | 93310-340N8 | BEARING | 1 | 1 | |
| 17 | 90215-20004 | WASHER, LOCK | 1 | 1 | |
| 18 | 90170-20008 | NUT | 1 | 1 | |
| 19 | 93317-11020 | BEARING | 1 | 1 | |
| 20 | 93315-31502 | BEARING | 1 | 1 | |
| 21 | 93102-15212 | OIL SEAL | 1 | 1 | |
| 22 | 5EB-16382-00 | AXLE, PUSH LEVER | 1 | 1 | |
| 23 | 92907-08600 | WASHER, PLATE | 1 | 1 | |
| 24 | 99001-07600 | CIRCLIP | 1 | 1 | |
| 25 | 5SL-16340-00 | PUSH LEVER ASSY | 1 | 1 | |
| 26 | 90201-10614 | WASHER, PLATE | 1 | 1 | |
| 27 | 99001-09600 | CIRCLIP | 1 | 1 | |



5SL1300-B170

FIG. 17 TRANSMISSION

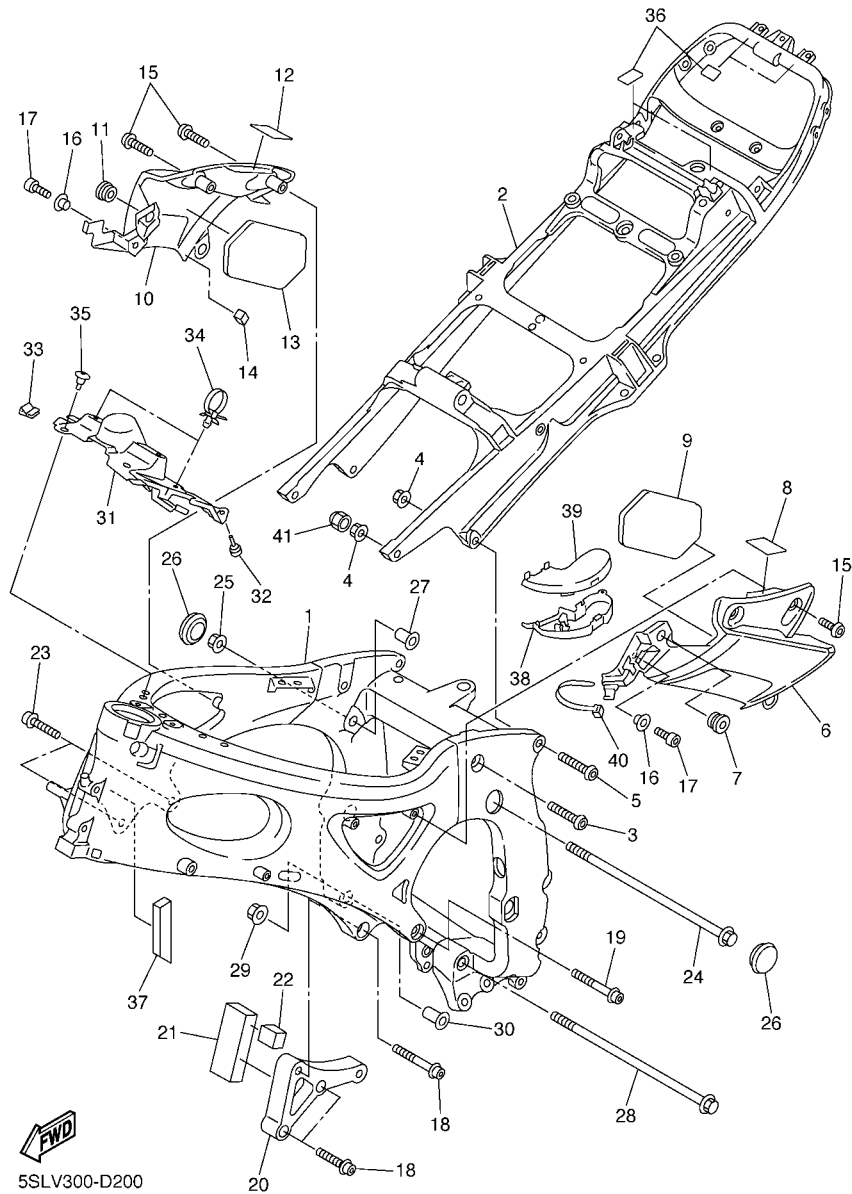
| REF. NO. | PART NO. | DESCRIPTION | 5SLV | 5SLX | REMARKS |
|----------|--------------|----------------------------|------|------|---------|
| 1 | 5SL-17411-00 | AXLE, MAIN (13T) | 1 | 1 | |
| 2 | 90387-253M6 | COLLAR | 1 | 1 | |
| 3 | 5SL-17151-20 | GEAR, 5TH PINION (21T) | 1 | 1 | |
| 4 | 90209-21332 | WASHER | 2 | 2 | |
| 5 | 93440-25186 | CIRCLIP | 2 | 2 | |
| 6 | 5SL-17131-20 | GEAR, 3RD PINION (18T/24T) | 1 | 1 | |
| 7 | 90387-2513E | COLLAR | 1 | 1 | |
| 8 | 5SL-17161-00 | GEAR, 6TH PINION (24T) | 1 | 1 | |
| 9 | 90209-22352 | WASHER | 1 | 1 | |
| 10 | 90209-21351 | WASHER | 1 | 1 | |
| 11 | 5SL-17121-00 | GEAR, 2ND PINION (19T) | 1 | 1 | |
| 12 | 5EB-15163-01 | HOUSING, BEARING 1 | 1 | 1 | |
| 13 | 93306-30525 | BEARING | 1 | 1 | |
| 14 | 93306-20464 | BEARING | 1 | 1 | |
| 15 | 90151-06008 | SCREW, COUNTERSUNK | 3 | 3 | |
| 16 | 5SL-17421-00 | AXLE, DRIVE | 1 | 1 | |
| 17 | 93306-30546 | BEARING | 1 | 1 | |
| 18 | 90387-2504A | COLLAR | 1 | 1 | |
| 19 | 90387-2813C | COLLAR | 1 | 1 | |
| 20 | 5SL-17221-10 | GEAR, 2ND WHEEL (37T) | 1 | 1 | |
| 21 | 90209-25342 | WASHER | 3 | 3 | |
| 22 | 93440-28062 | CIRCLIP | 3 | 3 | |
| 23 | 5SL-17261-10 | GEAR, 6TH WHEEL (26T) | 1 | 1 | |
| 24 | 90387-2813D | COLLAR | 2 | 2 | |
| 25 | 5SL-17241-00 | GEAR, 4TH WHEEL (32T) | 1 | 1 | |
| 26 | 90209-25349 | WASHER | 1 | 1 | |
| 27 | 90209-25350 | WASHER | 1 | 1 | |



5SL1300-B190

FIG. 19 SHIFT SHAFT

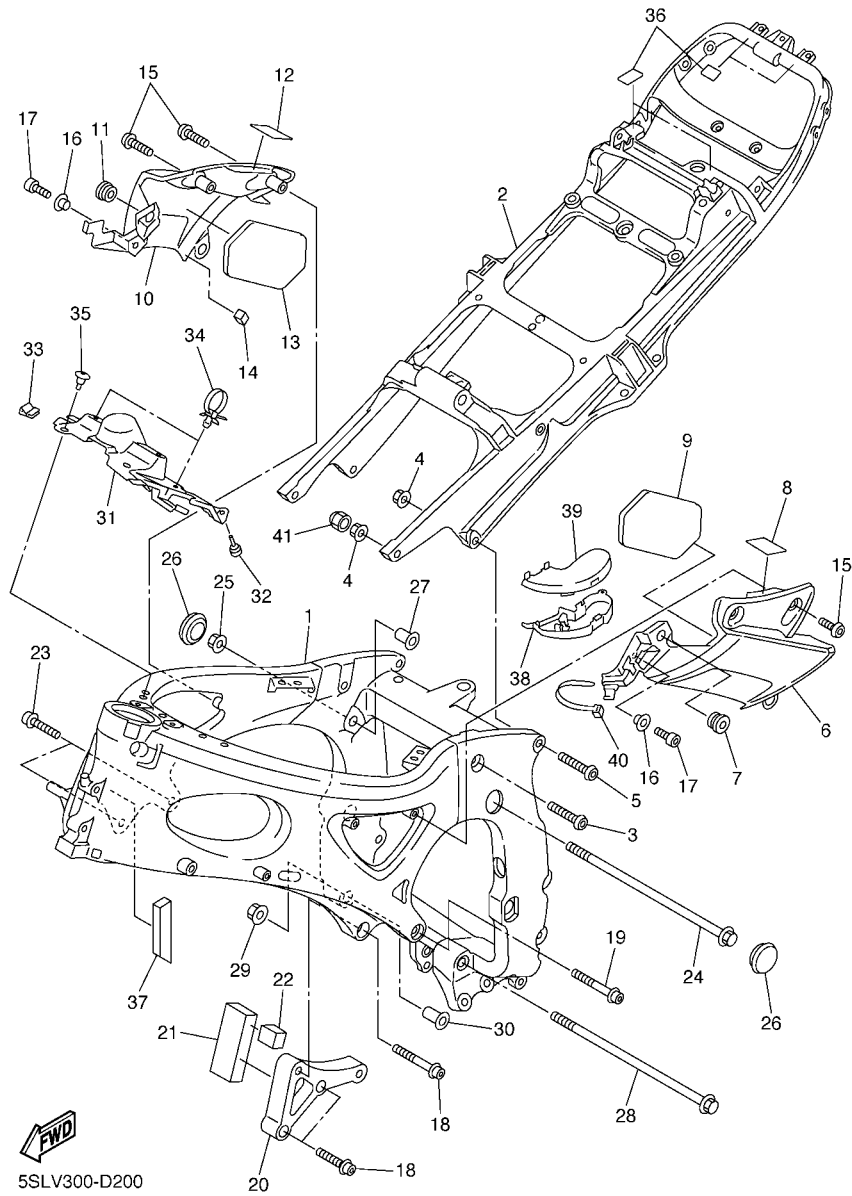
| REF. NO. | PART NO. | DESCRIPTION | 5SLV | 5SLX | REMARKS |
|----------|--------------|-----------------------|------|------|---------|
| 1 | 90506-14003 | SPRING, TENSION | 1 | 1 | |
| 2 | 132-16346-00 | HOOK, SPRING | 1 | 1 | |
| 3 | 5SL-18127-00 | STOPPER, SCREW | 1 | 1 | |
| 4 | 93317-11287 | BEARING | 1 | 1 | |
| 5 | 93101-12004 | OIL SEAL | 1 | 1 | |
| 6 | 5SL-18101-00 | SHIFT SHAFT ASSY | 1 | 1 | |
| 7 | 90508-295B2 | .SPRING, TORSION | 1 | 1 | |
| 8 | 5SL-18140-00 | .STOPPER LEVER ASSY | 1 | 1 | |
| 9 | 99009-17400 | .CIRCLIP | 1 | 1 | |
| 10 | 90201-177G4 | .WASHER, PLATE | 1 | 1 | |
| 11 | 90201-154E8 | WASHER, PLATE (T=1.0) | 1 | 1 | |
| 12 | 5EB-18112-01 | ARM, SHIFT | 1 | 1 | |
| 13 | 5LV-18116-00 | JOINT, ROD 1 | 1 | 1 | |
| 14 | 4XV-18154-00 | COVER, DUST | 1 | 1 | |
| 15 | 90111-06019 | BOLT | 1 | 1 | |
| 16 | 95824-06020 | BOLT, FLANGE | 1 | 1 | |
| 17 | 5SL-18115-00 | ROD, SHIFT | 1 | 1 | |
| 18 | 90170-08358 | NUT | 1 | 1 | |
| 19 | 95304-06700 | NUT | 1 | 1 | |
| 20 | 5EB-18110-10 | SHIFT PEDAL ASSY | 1 | 1 | |
| 21 | 2H9-18154-00 | .COVER, DUST | 1 | 1 | |
| 22 | 5EB-18113-00 | .COVER, SHIFT PEDAL | 1 | 1 | |
| 23 | 90201-12013 | WASHER, PLATE | 1 | 1 | |
| 24 | 90206-12074 | WASHER, WAVE | 1 | 1 | |



5SLV300-D200

FIG. 20 FRAME

| REF. NO. | PART NO. | DESCRIPTION | 5SLV | 5SLX | REMARKS |
|----------|--------------|---------------------------|------|------|---------|
| 1 | 5SL-21110-01 | FRAME COMP. | 1 | | |
| | 5SL-21110-11 | FRAME COMP. | | 1 | |
| 2 | 5SL-21190-00 | REAR FRAME COMP. | 1 | 1 | |
| 3 | 90149-10007 | SCREW | 2 | 2 | |
| 4 | 95607-10200 | NUT, U FLANGE | 4 | 4 | |
| 5 | 90149-10006 | SCREW | 2 | 2 | |
| 6 | 5SL-2117V-00 | COVER 7 | 1 | 1 | |
| 7 | 90480-13398 | GROMMET | 1 | 1 | |
| 8 | 3KJ-24723-00 | DAMPER, SEAT | 1 | 1 | |
| 9 | 5SL-28415-00 | DAMPER 1 | 1 | 1 | |
| 10 | 5SL-2117W-00 | COVER 8 | 1 | 1 | |
| 11 | 90480-13398 | GROMMET | 1 | 1 | |
| 12 | 3KJ-24723-00 | DAMPER, SEAT | 1 | 1 | |
| 13 | 5SL-28415-00 | DAMPER 1 | 1 | 1 | |
| 14 | 5SL-21649-00 | DAMPER | 1 | 1 | |
| 15 | 90111-05006 | BOLT | 4 | 4 | |
| 16 | 90387-050X4 | COLLAR | 2 | 2 | |
| 17 | 91317-05012 | BOLT | 2 | 2 | |
| 18 | 90110-10008 | BOLT, HEXAGON SOCKET HEAD | 3 | 3 | |
| 19 | 90110-10007 | BOLT, HEXAGON SOCKET HEAD | 1 | 1 | |
| 20 | 5SL-21283-00 | SUPPORT, ENGINE | 1 | 1 | |
| 21 | 5SL-21488-00 | DAMPER | 1 | 1 | |
| 22 | 5SL-21486-00 | DAMPER 2 | 1 | 1 | |
| 23 | 90110-10008 | BOLT, HEXAGON SOCKET HEAD | 2 | 2 | |
| 24 | 90105-10042 | BOLT, FLANGE | 1 | 1 | |
| 25 | 90179-10696 | NUT | 1 | 1 | |
| 26 | 90338-27007 | PLUG | 2 | 2 | |



5SLV300-D200

FIG. 20 FRAME

| REF. NO. | PART NO. | DESCRIPTION | 5SLV | 5SLX | REMARKS |
|----------|--------------|------------------------|------|------|---------|
| 27 | 5EB-21495-00 | BOLT, ENGINE ADJUSTING | 1 | 1 | |
| 28 | 90105-106A2 | BOLT, FLANGE | 1 | 1 | |
| 29 | 90179-10696 | NUT | 1 | 1 | |
| 30 | 5EB-21495-00 | BOLT, ENGINE ADJUSTING | 1 | 1 | |
| 31 | 5SL-2117M-10 | COVER 2 | 1 | 1 | |
| 32 | 36Y-21639-00 | DAMPER 2 | 2 | 2 | |
| 33 | 5SL-21208-00 | SEAL SET, 1 | 1 | 1 | |
| 34 | 90464-12036 | CLAMP | 2 | 2 | |
| 35 | 90269-07007 | RIVET | 2 | 2 | |
| 36 | 5SL-21268-00 | SEAL | 4 | 4 | |
| 37 | 5SL-2139X-00 | DAMPER | 1 | 1 | |
| 38 | 5SL-8258J-00 | HOUSING, CONNECTEUR 1 | 1 | 1 | |
| 39 | 5SL-8259J-00 | HOUSING, CONNECTEUR 2 | 1 | 1 | |
| 40 | 90464-15195 | CLAMP | 1 | 1 | |
| 41 | 5YU-2143A-00 | CAP | 1 | 1 | |
| | | | | | |
| | | | | | |
| | | | | | |
| | | | | | |

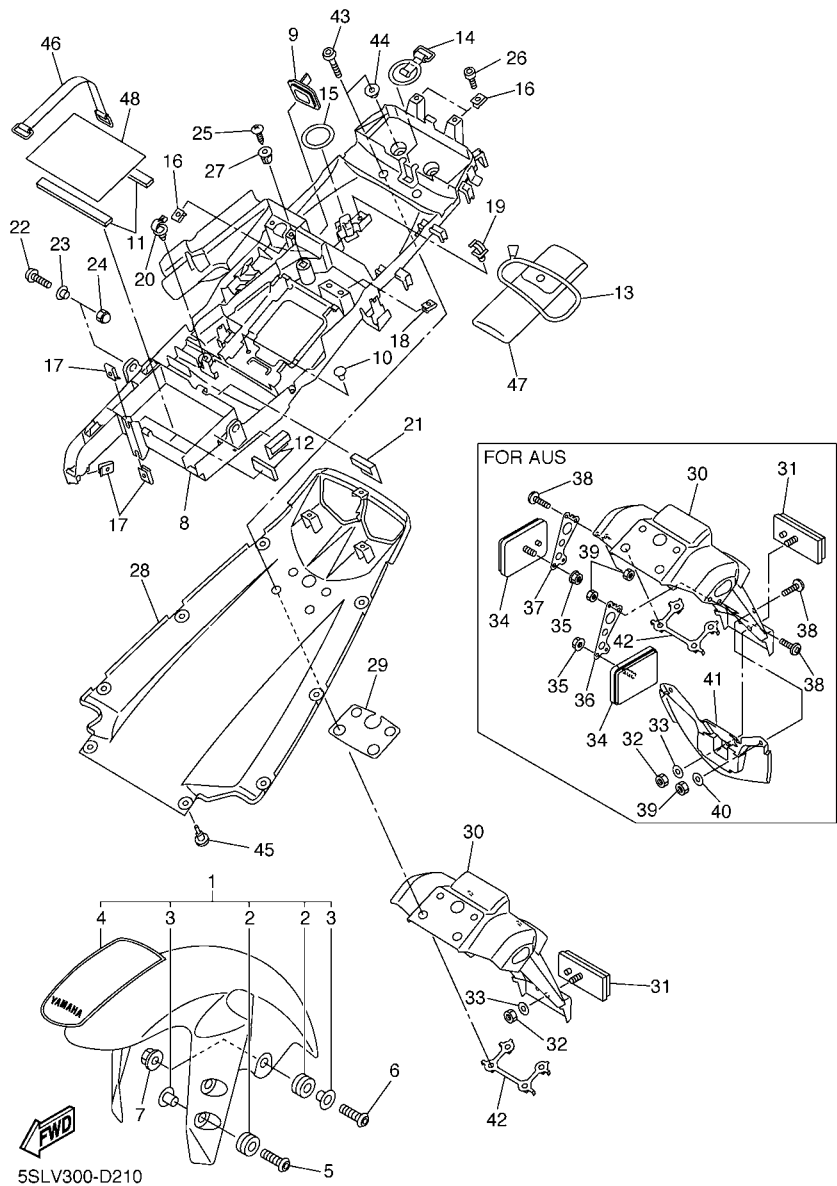


FIG. 21 FENDER

| REF. NO. | PART NO. | DESCRIPTION | 5SLV | 5SLX | REMARKS |
|----------|-----------------|--------------------|------|------|----------|
| 1 | 5PW-Y2151-10-0X | FRONT FENDER COMP. | 1 | 1 | RYC1/SMX |
| 2 | 90480-12072 | .GROMMET | 6 | 6 | |
| 3 | 90387-065J6 | .COLLAR | 6 | 6 | |
| 4 | 5SL-21578-00 | .EMBLEM | 1 | 1 | |
| 5 | 90111-06043 | BOLT | 4 | 4 | |
| 6 | 90111-06030 | BOLT | 2 | 2 | |
| 7 | 95707-06500 | NUT, FLANGE | 2 | 2 | |
| 8 | 5SL-8212B-01 | BOX, BATTERY 1 | 1 | 1 | |
| 9 | 5MT-2172X-00 | COVER, TAILLIGHT | 1 | 1 | |
| 10 | 90338-06018 | PLUG | 2 | 2 | |
| 11 | 1AE-2834E-00 | DAMPER 1 | 2 | 2 | |
| 12 | 3KJ-24723-00 | DAMPER, SEAT | 4 | 4 | |
| 13 | 3YX-21376-00 | BAND, TOOL | 1 | 1 | |
| 14 | 5SL-21646-00 | BAND | 1 | 1 | |
| 15 | 5SL-21647-00 | BAND | 1 | 1 | |
| 16 | 90183-05076 | NUT, SPRING | 3 | 3 | |
| 17 | 90183-06053 | NUT, SPRING | 3 | 3 | |
| 18 | 90183-04039 | NUT, SPRING | 2 | 2 | |
| 19 | 90464-07259 | CLAMP | 1 | 1 | |
| 20 | 90464-13249 | CLAMP | 1 | 1 | |
| 21 | 5JW-2139X-00 | DAMPER | 1 | 1 | |
| 22 | 90111-06007 | BOLT | 2 | 2 | |
| 23 | 90387-06022 | COLLAR | 2 | 2 | |
| 24 | 90176-06055 | NUT, CROWN | 2 | 2 | |
| 25 | 97707-60020 | SCREW, TAPPING | 1 | 1 | |
| 26 | 91317-05012 | BOLT | 2 | 2 | |
| 27 | 90338-08226 | PLUG | 1 | 1 | |

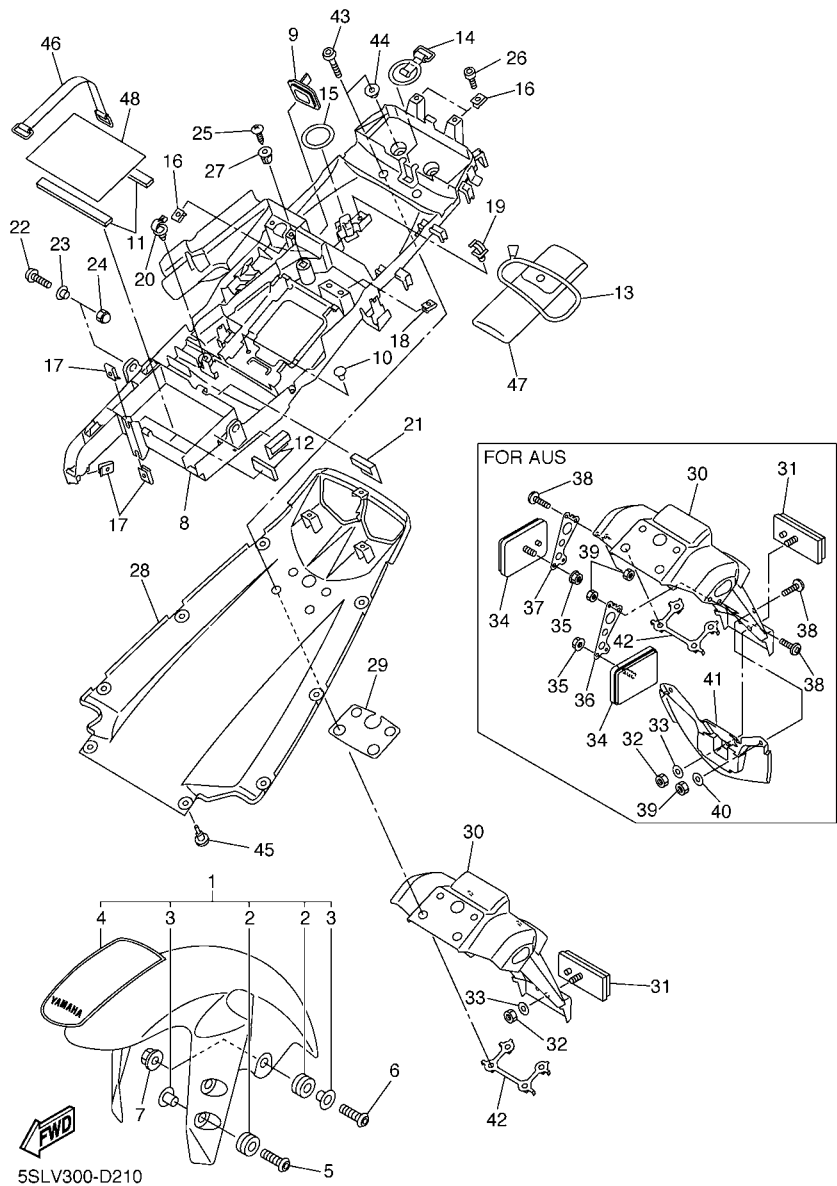


FIG. 21 FENDER

| REF. NO. | PART NO. | DESCRIPTION | 5SLV | 5SLX | REMARKS |
|----------|-----------------|----------------------|------|------|----------|
| 28 | 5SL-21611-00-0X | FENDER, REAR | 1 | 1 | RYC1/SMX |
| 29 | 5SL-21669-00 | SEAL | 1 | 1 | |
| 30 | 5SL-21629-01 | GUARD, MUD | 1 | | |
| | 5SL-21629-21 | GUARD, MUD | | 1 | |
| 31 | 3Y6-85130-02 | REAR REFLECTOR ASSY | 1 | 1 | |
| 32 | 95607-05100 | NUT, U | 1 | 1 | |
| 33 | 90201-05725 | WASHER, PLATE | 1 | 1 | |
| 34 | 5SL-85110-00 | REFLECTOR ASSY | | 2 | |
| 35 | 95707-05500 | NUT, FLANGE | | 2 | |
| 36 | 5SL-21688-00 | BRACKET, REAR STAY | | 1 | |
| 37 | 5SL-21689-00 | BRACKET, REAR STAY 2 | | 1 | |
| 38 | 90150-04041 | SCREW, ROUND HEAD | | 6 | |
| 39 | 95607-04100 | NUT, U | | 6 | |
| 40 | 90201-04018 | WASHER, PLATE | | 2 | |
| 41 | 5SL-21621-00 | FLAP | | 1 | |
| 42 | 5PW-2161G-00 | BRACKET 6 | 1 | 1 | |
| 43 | 92017-06020 | BOLT, BUTTON HEAD | 4 | 4 | |
| 44 | 90387-065G0 | COLLAR | 2 | 2 | |
| 45 | 90269-07077 | RIVET | 2 | 2 | |
| 46 | 5JJ-82131-00 | BAND, BATTERY | 1 | 1 | |
| 47 | 5SL-28100-00 | TOOL KIT | 1 | 1 | |
| 48 | 5EB-14733-00 | MAT 1 | 1 | 1 | |

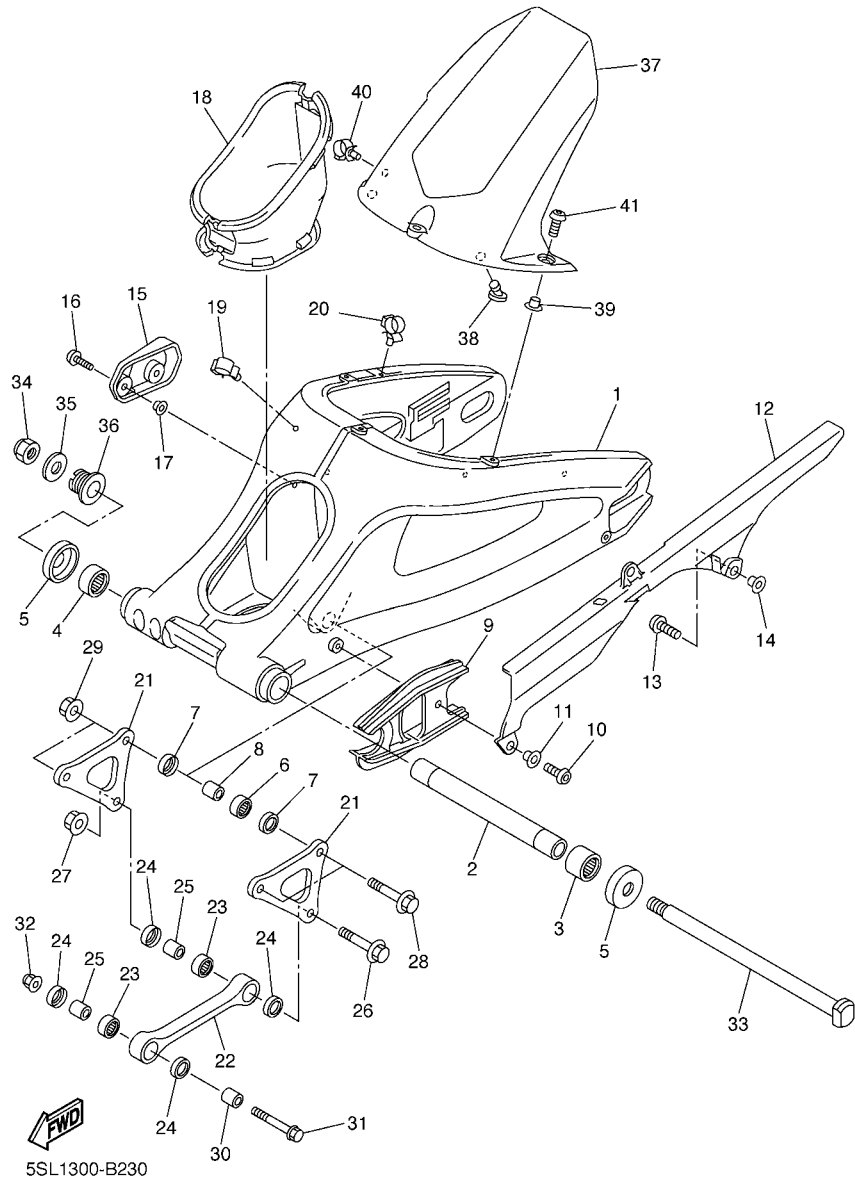


FIG. 23 REAR ARM

| REF. NO. | PART NO. | DESCRIPTION | 5SLV | 5SLX | REMARKS |
|----------|--------------|---------------------------|------|------|---------|
| 1 | 5SL-22110-01 | REAR ARM COMP. | 1 | 1 | |
| 2 | 5EB-22184-00 | BUSH | 1 | 1 | |
| 3 | 93317-42550 | BEARING | 1 | 1 | |
| 4 | 93315-42536 | BEARING | 1 | 1 | |
| 5 | 5JJ-22128-00 | COVER, THRUST 1 | 2 | 2 | |
| 6 | 93315-41762 | BEARING | 1 | 1 | |
| 7 | 93109-17071 | OIL SEAL | 2 | 2 | |
| 8 | 90387-1012A | COLLAR | 1 | 1 | |
| 9 | 5SL-22151-00 | SEAL, GUARD | 1 | 1 | |
| 10 | 92017-06016 | BOLT, BUTTON HEAD | 1 | 1 | |
| 11 | 90387-062X0 | COLLAR | 1 | 1 | |
| 12 | 5SL-22311-00 | CASE, CHAIN | 1 | 1 | |
| 13 | 90110-06102 | BOLT, HEXAGON SOCKET HEAD | 2 | 2 | |
| 14 | 90387-06009 | COLLAR | 2 | 2 | |
| 15 | 5SL-22381-00 | COVER 1 | 1 | 1 | |
| 16 | 90111-06038 | BOLT | 2 | 2 | |
| 17 | 90387-06681 | COLLAR | 2 | 2 | |
| 18 | 5SL-2219X-00 | COVER | 1 | 1 | |
| 19 | 90464-16012 | CLAMP | 1 | 1 | |
| 20 | 90464-16011 | CLAMP | 1 | 1 | |
| 21 | 5SL-2217A-10 | ARM, RELAY | 2 | 2 | |
| 22 | 5SL-2217M-10 | ARM 1 | 1 | 1 | |
| 23 | 93315-31758 | BEARING | 2 | 2 | |
| 24 | 93109-17071 | OIL SEAL | 4 | 4 | |
| 25 | 90387-1012A | COLLAR | 2 | 2 | |
| 26 | 90105-10017 | BOLT, FLANGE | 1 | 1 | |
| 27 | 95607-10200 | NUT, U FLANGE | 1 | 1 | |

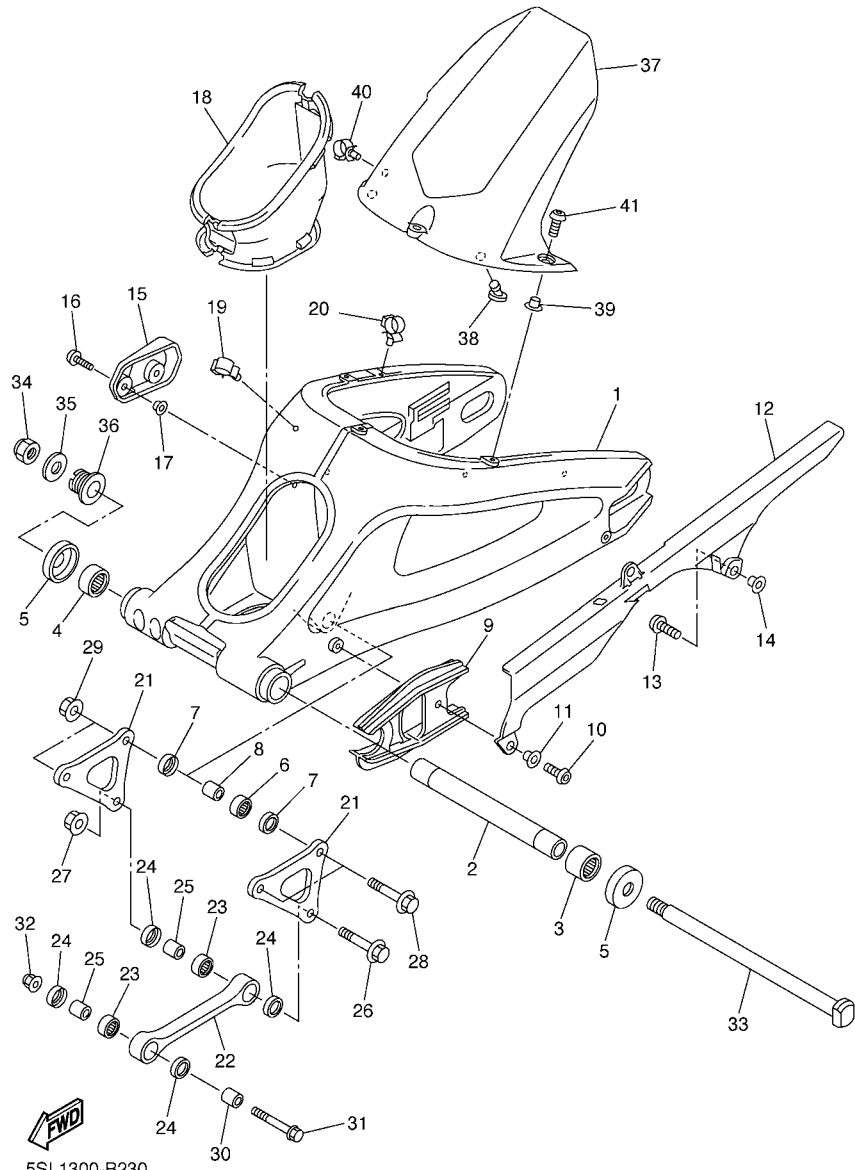


FIG. 23 REAR ARM

| REF. NO. | PART NO. | DESCRIPTION | 5SLV | 5SLX | REMARKS |
|----------|--------------|-------------------|------|------|---------|
| 28 | 90105-10017 | BOLT, FLANGE | 2 | 2 | |
| 29 | 95607-10200 | NUT, U FLANGE | 2 | 2 | |
| 30 | 90387-1013U | COLLAR | 1 | 1 | |
| 31 | 90105-10018 | BOLT, FLANGE | 1 | 1 | |
| 32 | 95607-10200 | NUT, U FLANGE | 1 | 1 | |
| 33 | 4FN-22141-00 | SHAFT, PIVOT | 1 | 1 | |
| 34 | 90185-18104 | NUT, SELF-LOCKING | 1 | 1 | |
| 35 | 90201-186M4 | WASHER, PLATE | 1 | 1 | |
| 36 | 5PW-22125-00 | BOLT | 1 | 1 | |
| 37 | 5SL-21650-00 | REAR FENDER COMP. | 1 | 1 | |
| 38 | 5SL-21639-00 | DAMPER 2 | 2 | 2 | |
| 39 | 90387-07717 | COLLAR | 3 | 3 | |
| 40 | 90464-16012 | CLAMP | 1 | 1 | |
| 41 | 90111-06038 | BOLT | 3 | 3 | |
| | | | | | |
| | | | | | |
| | | | | | |
| | | | | | |
| | | | | | |

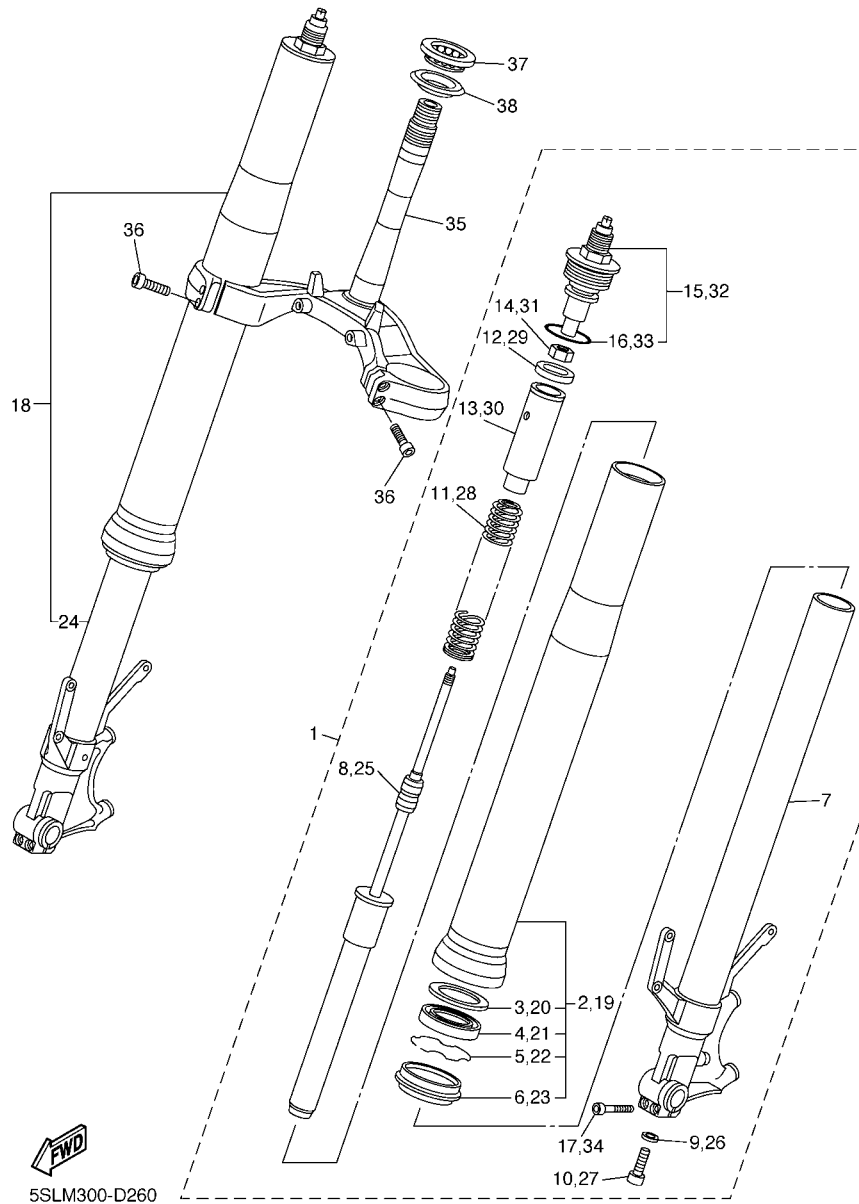
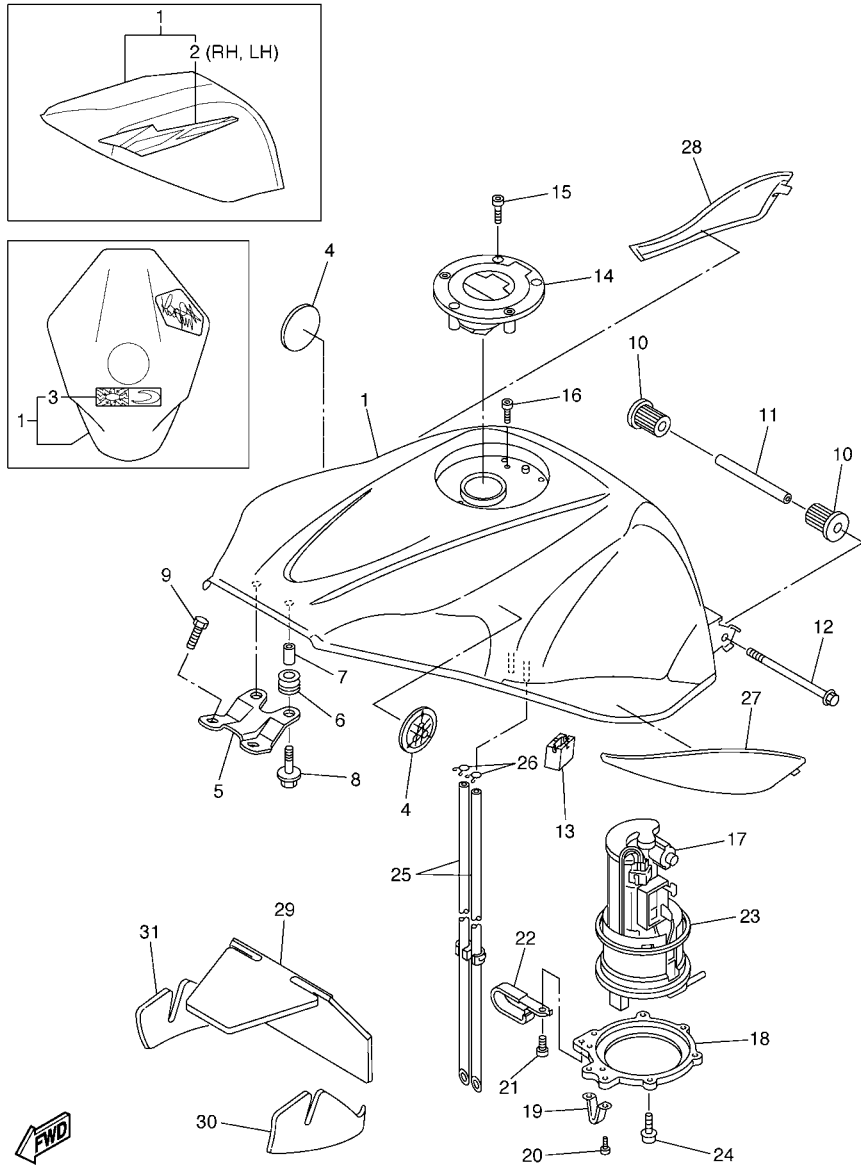


FIG. 26 FRONT FORK

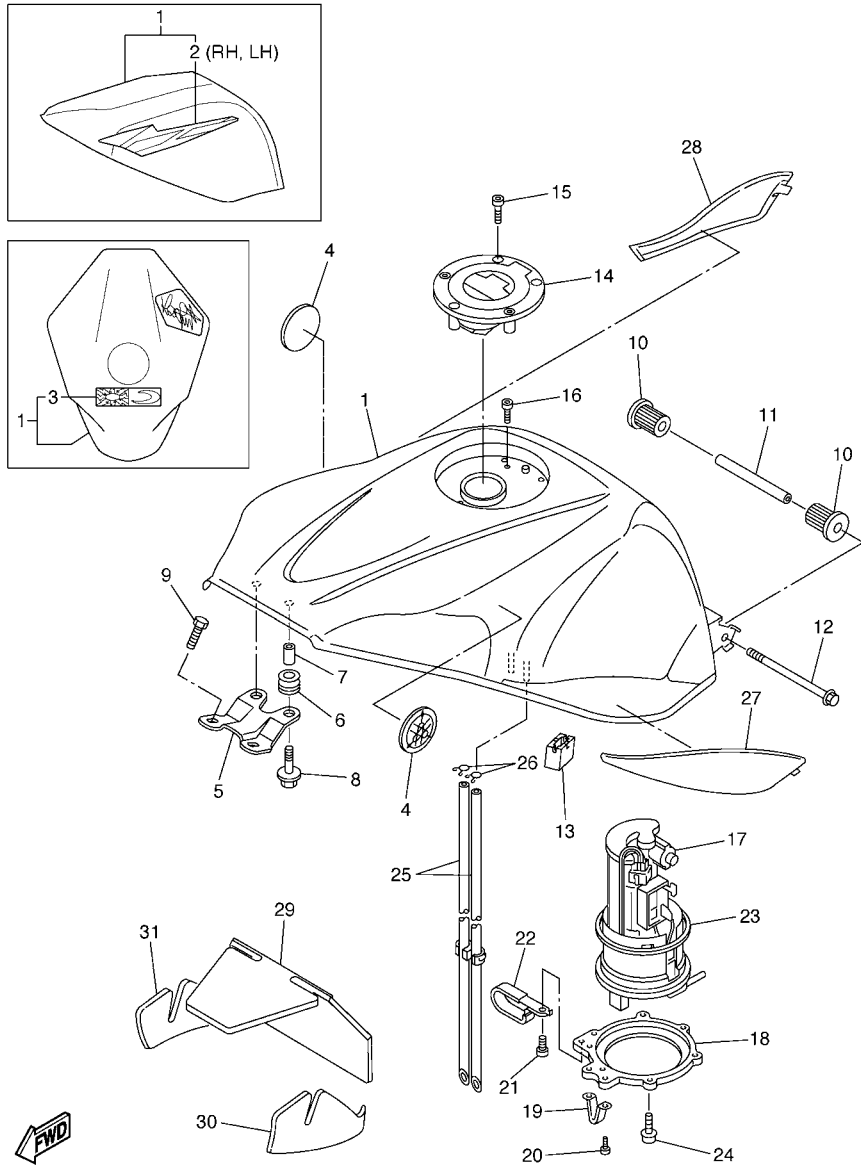
| REF. NO. | PART NO. | DESCRIPTION | 5SLV | 5SLX | REMARKS |
|----------|--------------|-----------------------------|------|------|---------|
| 1 | 5SL-23102-20 | FRONT FORK ASSY (L.H) | 1 | 1 | |
| 2 | 5SL-23136-21 | .TUBE, OUTER | 1 | 1 | |
| 3 | 5JJ-23146-00 | ..WASHER, OIL SEAL | 1 | 1 | |
| 4 | 4XV-23145-00 | ..OIL SEAL | 1 | 1 | |
| 5 | 26H-23156-00 | ..CLIP, OIL SEAL | 1 | 1 | |
| 6 | 4EB-23144-00 | ..SEAL, DUST | 1 | 1 | |
| 7 | 5SL-23110-20 | .INNER TUBE COMP.1 | 1 | 1 | |
| 8 | 5SL-23170-20 | .CYLINDER COMP., FRONT FORK | 1 | 1 | |
| 9 | 509-23158-L0 | .GASKET | 1 | 1 | |
| 10 | 5UX-23181-00 | .BOLT, HEXAGON SOCKET HEAD | 1 | 1 | |
| 11 | 5SL-23141-20 | .SPRING, FRONT FORK | 1 | 1 | |
| 12 | 5VY-12277-00 | .WASHER | 1 | 1 | |
| 13 | 5VY-23118-00 | .SPACER | 1 | 1 | |
| 14 | 3LC-23357-00 | .NUT | 1 | 1 | |
| 15 | 5SL-23111-21 | .BOLT, CAP | 1 | 1 | |
| 16 | 3XJ-23147-L0 | ..O-RING | 1 | 1 | |
| 17 | 91314-08040 | .BOLT | 2 | 2 | |
| 18 | 5SL-23103-20 | FRONT FORK ASSY (R.H) | 1 | 1 | |
| 19 | 5SL-23136-21 | .TUBE, OUTER | 1 | 1 | |
| 20 | 5JJ-23146-00 | ..WASHER, OIL SEAL | 1 | 1 | |
| 21 | 4XV-23145-00 | ..OIL SEAL | 1 | 1 | |
| 22 | 26H-23156-00 | ..CLIP, OIL SEAL | 1 | 1 | |
| 23 | 4EB-23144-00 | ..SEAL, DUST | 1 | 1 | |
| 24 | 5SL-23120-20 | .INNER TUBE COMP.2 | 1 | 1 | |
| 25 | 5SL-23170-20 | .CYLINDER COMP., FRONT FORK | 1 | 1 | |
| 26 | 509-23158-L0 | .GASKET | 1 | 1 | |
| 27 | 5UX-23181-00 | .BOLT, HEXAGON SOCKET HEAD | 1 | 1 | |



5SLV300-D270

FIG. 27 FUEL TANK

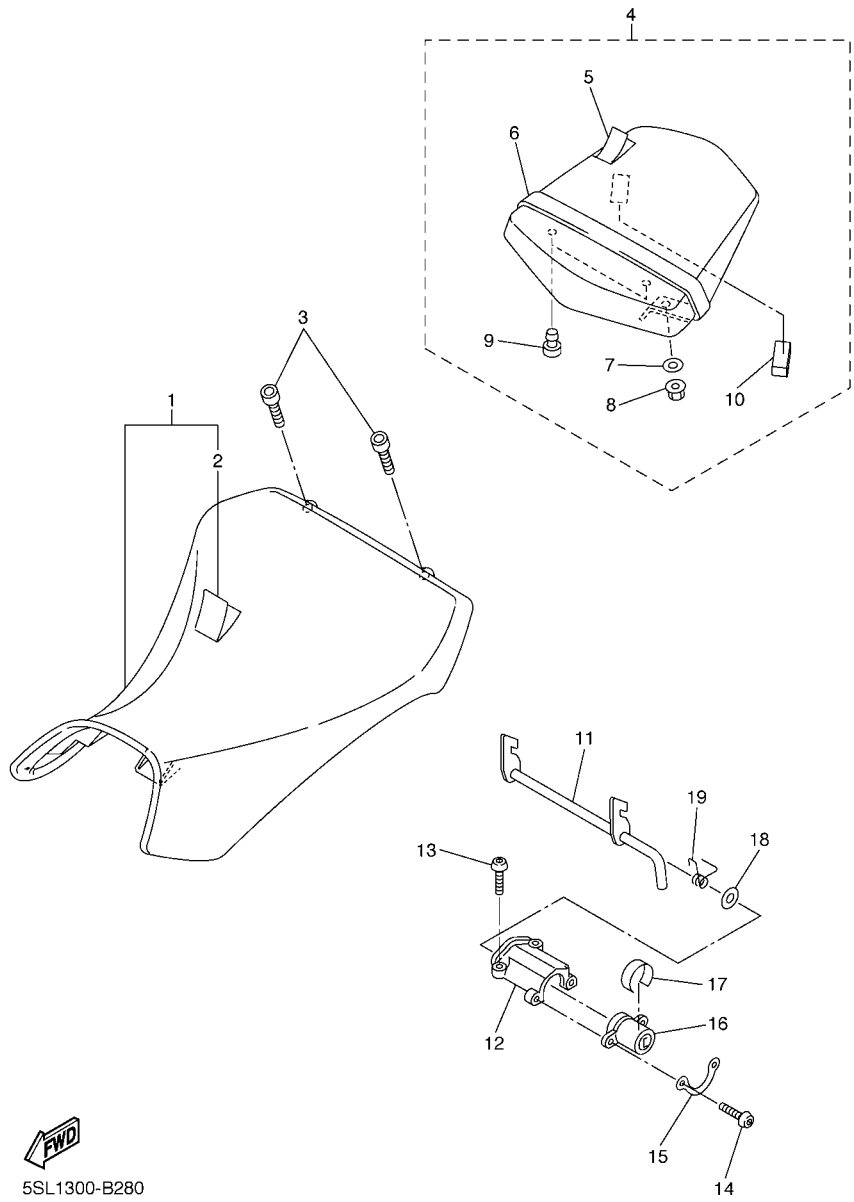
| REF. NO. | PART NO. | DESCRIPTION | 5SLV | 5SLX | REMARKS |
|----------|-----------------|---------------------------|------|------|----------|
| 1 | 5SL-Y2410-30-07 | FUEL TANK COMP. | 1 | 1 | RYC1/SMX |
| 2 | 5SL-24240-70 | .GRAPHIC SET | 1 | 1 | |
| 3 | 5SL-24231-01 | .EMBLEM 1 | 1 | 1 | |
| 4 | 5SL-2413B-00 | EMBLEM | 2 | 2 | |
| 5 | 5SL-24191-00 | BRACKET, FUEL TANK 1 | 1 | 1 | |
| 6 | 90480-15483 | GROMMET | 2 | 2 | |
| 7 | 90387-06054 | COLLAR | 2 | 2 | |
| 8 | 90119-06062 | BOLT, WITH WASHER | 2 | 2 | |
| 9 | 90110-06079 | BOLT, HEXAGON SOCKET HEAD | 2 | 2 | |
| 10 | 5SL-24183-00 | DAMPER, LOCATING 3 | 2 | 2 | |
| 11 | 90387-06055 | COLLAR | 1 | 1 | |
| 12 | 95827-06090 | BOLT, FLANGE | 1 | 1 | |
| 13 | 5SL-24182-00 | DAMPER, LOCATING 2 | 2 | 2 | |
| 14 | 5JJ-24602-00 | CAP ASSY | 1 | 1 | |
| 15 | 90110-05112 | BOLT, HEXAGON SOCKET HEAD | 3 | 3 | |
| 16 | 91317-05010 | BOLT | 1 | 1 | |
| 17 | 5PW-13907-01 | FUEL PUMP COMP. | 1 | 1 | |
| 18 | 5SL-24491-10 | BRACKET, FUEL PUMP | 1 | 1 | |
| 19 | 5PW-24192-00 | BRACKET, FUEL TANK 2 | 1 | 1 | |
| 20 | 98907-05008 | SCREW, BIND | 2 | 2 | |
| 21 | 90154-05012 | SCREW, BINDING | 1 | 1 | |
| 22 | 90461-10009 | CLAMP | 1 | 1 | |
| 23 | 5JW-24486-00 | O-RING | 1 | 1 | |
| 24 | 90110-05014 | BOLT, HEXAGON SOCKET HEAD | 6 | 6 | |
| 25 | 5SL-22906-00 | HOSE ASSY 1 | 1 | 1 | |
| 26 | 90467-10008 | CLIP | 2 | 2 | |
| 27 | 5SL-24129-00 | COVER, SIDE 1 | 1 | 1 | |



5SLV300-D270

FIG. 27 FUEL TANK

| REF. NO. | PART NO. | DESCRIPTION | 5SLV | 5SLX | | | | REMARKS |
|----------|--------------|-----------------|------|------|--|--|--|---------|
| 28 | 5SL-24139-00 | COVER, SIDE 2 | 1 | 1 | | | | |
| 29 | 5SL-2414H-00 | DAMPER, PLATE 1 | 1 | 1 | | | | |
| 30 | 5SL-2414J-00 | DAMPER, PLATE 2 | 1 | 1 | | | | |
| 31 | 5SL-2414K-00 | DAMPER, PLATE 3 | 1 | 1 | | | | |
| ----- | | | | | | | | |
| ----- | | | | | | | | |
| ----- | | | | | | | | |
| ----- | | | | | | | | |
| ----- | | | | | | | | |
| ----- | | | | | | | | |
| ----- | | | | | | | | |
| ----- | | | | | | | | |
| ----- | | | | | | | | |
| ----- | | | | | | | | |

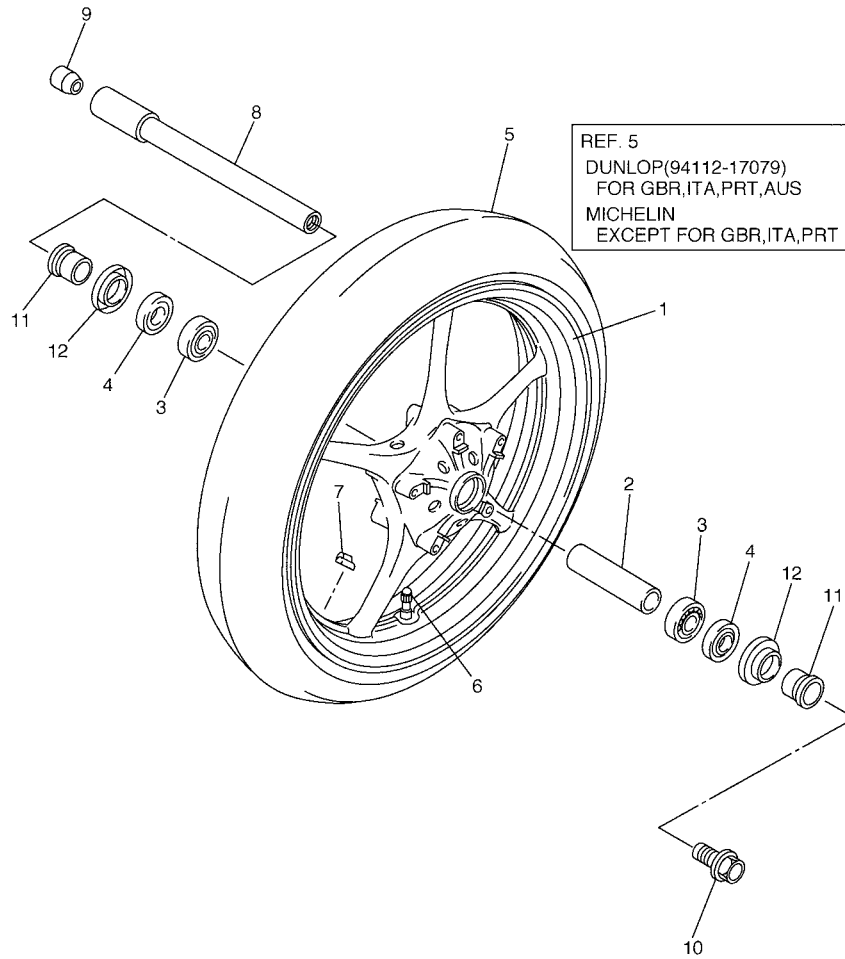


5SL1300-B280

FIG. 28 SEAT

| REF. NO. | PART NO. | DESCRIPTION | 5SLV | 5SLX | REMARKS |
|----------|--------------|---------------------------|------|------|---------|
| 1 | 5SL-24710-00 | SINGLE SEAT ASSY | 1 | 1 | |
| 2 | 5SL-2470F-00 | .SEAT COVER COMP. | 1 | 1 | |
| 3 | 90110-06258 | BOLT, HEXAGON SOCKET HEAD | 2 | 2 | |
| 4 | 5SL-24750-00 | TANDEM SEAT ASSY | 1 | 1 | |
| 5 | 5SL-24751-00 | .COVER, TANDEM SEAT | 1 | 1 | |
| 6 | 5SL-24720-00 | .SEAT BAND ASSY | 1 | 1 | |
| 7 | 90201-06008 | .WASHER, PLATE | 2 | 2 | |
| 8 | 95607-06200 | .NUT, SELF U-FLANGE | 2 | 2 | |
| 9 | 5SL-24723-00 | .DAMPER, SEAT | 2 | 2 | |
| 10 | 5SL-24724-00 | .DAMPER, SEAT | 1 | 1 | |
| 11 | 5SL-24780-00 | SEAT LOCK ASSY | 1 | 1 | |
| 12 | 5SL-24792-00 | PLATE | 1 | 1 | |
| 13 | 92017-06025 | BOLT, BUTTON HEAD | 2 | 2 | |
| 14 | 92017-06014 | BOLT, BUTTON HEAD | 2 | 2 | |
| 15 | 5SL-2479R-00 | PLATE, COVER | 1 | 1 | |
| 16 | 5SL-W2470-00 | SEAT LOCK ASSY | 1 | 1 | |
| 17 | 5SL-24858-00 | SEAL | 1 | 1 | |
| 18 | 90202-08001 | WASHER, PLATE | 2 | 2 | |
| 19 | 5SL-24758-00 | SPRING | 1 | 1 | |

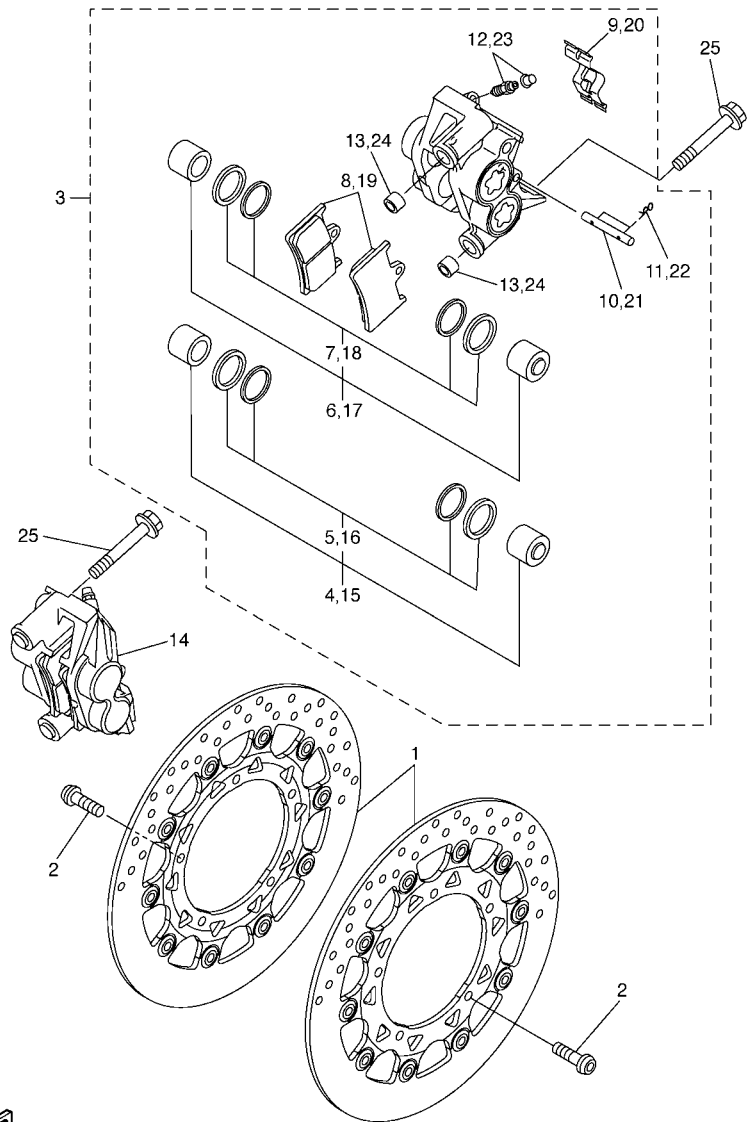
FIG. 29 FRONT WHEEL



| REF. NO. | PART NO. | DESCRIPTION | 5SLV | 5SLX | REMARKS |
|----------|-----------------|--------------------------------|------|------|----------------|
| 1 | 5SL-25168-00-1X | CAST WHEEL, FRONT | 1 | 1 | LGB/Y1 |
| 2 | 4XV-25117-00 | SPACER, BEARING | 1 | 1 | |
| 3 | 93306-00420 | BEARING | 2 | 2 | |
| 4 | 93106-28043 | OIL SEAL | 2 | 2 | |
| 5 | 94112-17079 | TIRE(120/70ZR17 M/C 58W D218F) | 1 | 1 | UR DUNLOP |
| | | TIRE(120/70 ZR17M/C 58W PILOT) | 1 | | UR LM MICHELIN |
| 6 | 93900-00030 | VALVE, RIM (TR412) | 1 | 1 | TAIHEIYO |
| 7 | 5MT-25398-00 | BALANCER, WHEEL (10G) | 1 | 1 | UR |
| | 5MT-25398-10 | BALANCER, WHEEL (20G) | 1 | 1 | UR |
| | 5MT-25398-20 | BALANCER, WHEEL (30G) | 1 | 1 | UR |
| 8 | 5PW-25181-00 | AXLE, WHEEL | 1 | 1 | |
| 9 | 5PW-25188-00 | CAP | 1 | 1 | |
| 10 | 90105-14002 | BOLT, FLANGE | 1 | 1 | |
| 11 | 4XV-25186-00 | COLLAR, WHEEL | 2 | 2 | |
| 12 | 4XV-25118-00 | COVER, HUB DUST | 2 | 2 | |



5SLM300-D290



5SLM300-D300

FIG. 30 FRONT BRAKE CALIPER

| REF. NO. | PART NO. | DESCRIPTION | 5SLV | 5SLX | REMARKS |
|----------|--------------|-----------------------|------|------|---------|
| 1 | 5SL-2581T-10 | DISK BRAKE ASSY | 2 | 2 | |
| 2 | 90109-064G6 | BOLT | 10 | 10 | |
| 3 | 5SL-2580T-10 | CALIPER ASSY (LEFT) | 1 | 1 | |
| 4 | 5PW-W0057-10 | .PISTON ASSY, CALIPER | 1 | 1 | |
| 5 | 5PW-W0047-10 | ..CALIPER SEAL KIT | 1 | 1 | |
| 6 | 5PW-W0057-00 | .PISTON ASSY, CALIPER | 1 | 1 | |
| 7 | 5PW-W0047-00 | ..CALIPER SEAL KIT | 1 | 1 | |
| 8 | 5SL-W0045-10 | .BRAKE PAD KIT | 1 | 1 | |
| 9 | 4SV-25919-00 | .SUPPORT, PAD | 1 | 1 | |
| 10 | 4SV-25924-00 | .PIN, PAD | 1 | 1 | |
| 11 | 3GM-25925-00 | .CLIP | 2 | 2 | |
| 12 | 1J3-W0048-00 | .BLEED SCREW KIT | 1 | 1 | |
| 13 | 5VY-2583B-00 | .PIN, KNOCK | 2 | 2 | |
| 14 | 5SL-2580U-10 | CALIPER ASSY (RIGHT) | 1 | 1 | |
| 15 | 5PW-W0057-10 | .PISTON ASSY, CALIPER | 1 | 1 | |
| 16 | 5PW-W0047-10 | ..CALIPER SEAL KIT | 1 | 1 | |
| 17 | 5PW-W0057-00 | .PISTON ASSY, CALIPER | 1 | 1 | |
| 18 | 5PW-W0047-00 | ..CALIPER SEAL KIT | 1 | 1 | |
| 19 | 5SL-W0045-10 | .BRAKE PAD KIT | 1 | 1 | |
| 20 | 4SV-25919-00 | .SUPPORT, PAD | 1 | 1 | |
| 21 | 4SV-25924-00 | .PIN, PAD | 1 | 1 | |
| 22 | 3GM-25925-00 | .CLIP | 2 | 2 | |
| 23 | 1J3-W0048-00 | .BLEED SCREW KIT | 1 | 1 | |
| 24 | 5VY-2583B-00 | .PIN, KNOCK | 2 | 2 | |
| 25 | 90401-10012 | BOLT, UNION | 4 | 4 | |

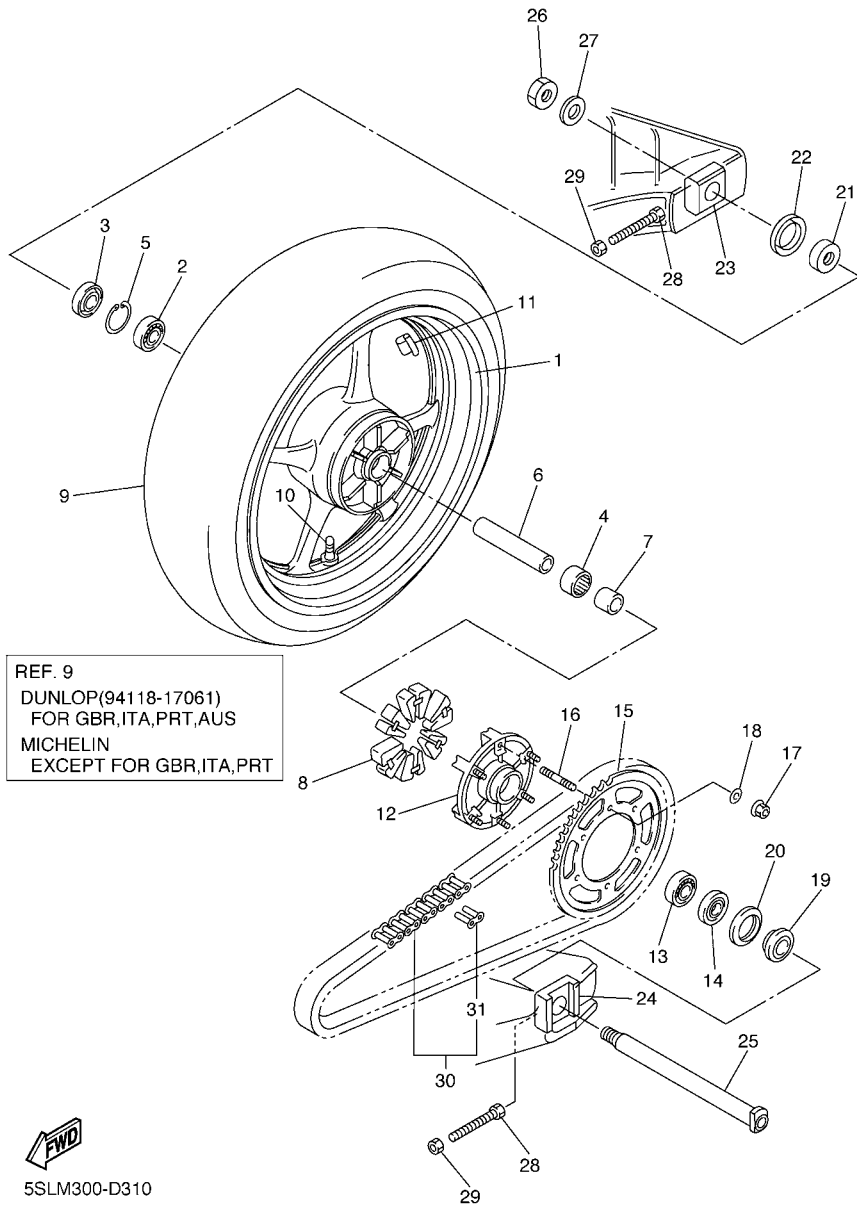
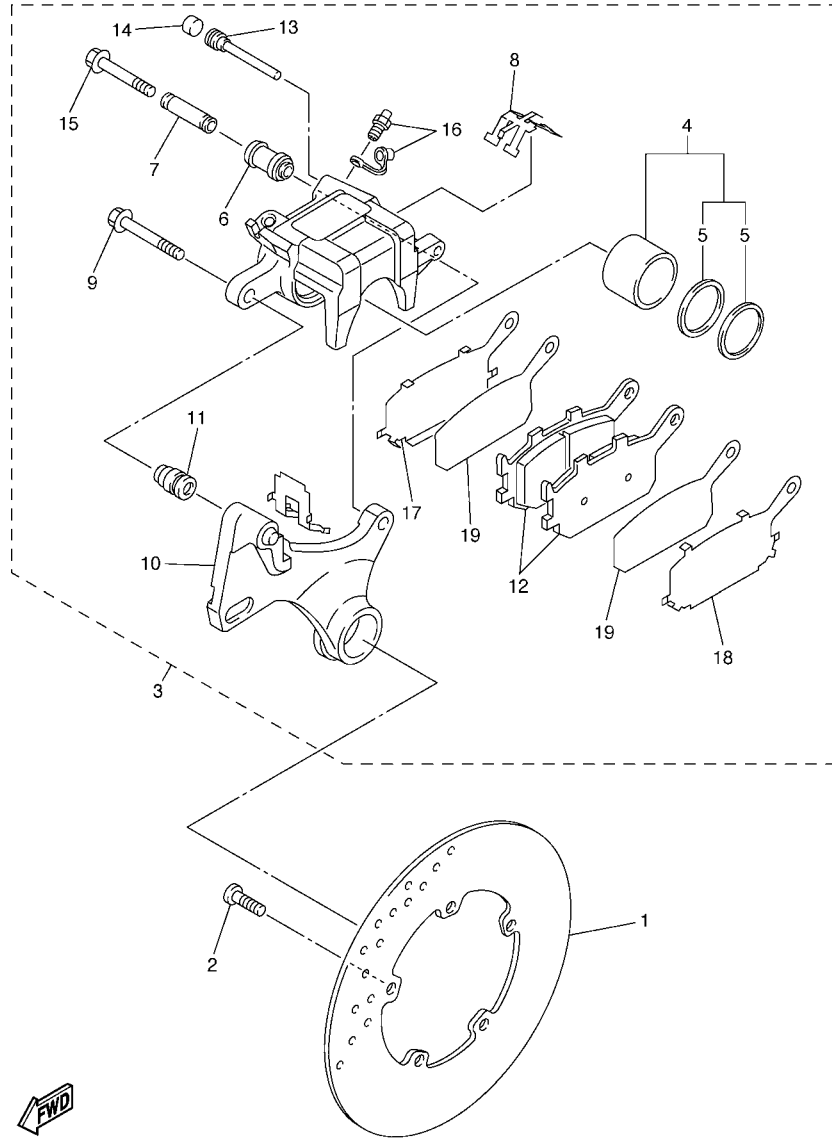


FIG. 31 REAR WHEEL

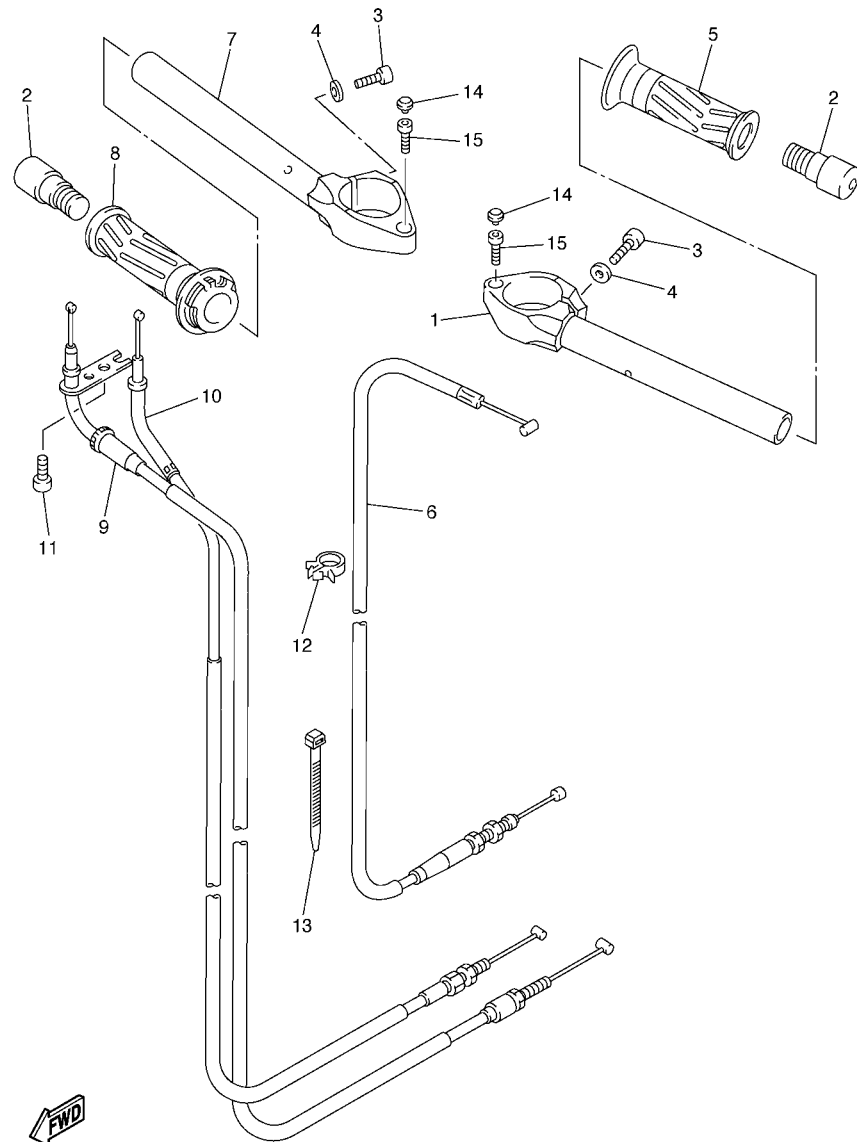
| REF. NO. | PART NO. | DESCRIPTION | 5SLV | 5SLX | REMARKS |
|----------|-----------------|--------------------------------|------|------|----------------|
| 1 | 5SL-25338-00-1X | CAST WHEEL, REAR | 1 | 1 | LGB/Y1 |
| 2 | 93306-20531 | BEARING | 1 | 1 | |
| 3 | 93106-40013 | OIL SEAL | 1 | 1 | |
| 4 | 93317-43580 | BEARING | 1 | 1 | |
| 5 | 93420-61M07 | CIRCLIP | 1 | 1 | |
| 6 | 4XV-25317-00 | SPACER, BEARING | 1 | 1 | |
| 7 | 5SL-25383-00 | COLLAR, WHEEL | 1 | 1 | |
| 8 | 5SL-25364-00 | DAMPER | 6 | 6 | |
| 9 | 94118-17061 | TIRE (180/55ZR17 M/C 73W D218) | 1 | 1 | UR DUNLOP |
| | * | TIRE(180/55 ZR17M/C 73W PILOT) | 1 | | UR LM MICHELIN |
| 10 | 93900-00030 | VALVE, RIM (TR412) | 1 | 1 | TAIHEIYO |
| 11 | 5MT-25398-00 | BALANCER, WHEEL (10G) | 1 | 1 | UR |
| | 5MT-25398-10 | BALANCER, WHEEL (20G) | 1 | 1 | UR |
| | 5MT-25398-20 | BALANCER, WHEEL (30G) | 1 | 1 | UR |
| 12 | 5SL-25366-00 | CLUTCH, HUB | 1 | 1 | |
| 13 | 93306-20531 | BEARING | 1 | 1 | |
| 14 | 93106-40013 | OIL SEAL | 1 | 1 | |
| 15 | 5SL-25448-20 | SPROCKET, DRIVEN (48T) | 1 | 1 | |
| 16 | 90116-10485 | BOLT, STUD | 6 | 6 | |
| 17 | 90185-10009 | NUT, SELF-LOCKING | 6 | 6 | |
| 18 | 90201-10021 | WASHER, PLATE | 6 | 6 | |
| 19 | 5SL-25376-00 | COLLAR, WHEEL | 1 | 1 | |
| 20 | 5SL-25367-00 | COVER, HUB DUST | 1 | 1 | |
| 21 | 4XV-25376-00 | COLLAR, WHEEL | 1 | 1 | |
| 22 | 5SL-25327-00 | COVER, PLATE | 1 | 1 | |
| 23 | 5SL-25388-00 | PULLER, CHAIN 1 | 1 | 1 | |
| 24 | 5SL-25389-00 | PULLER, CHAIN 2 | 1 | 1 | |



FWD
5SL1300-B320

FIG. 32 REAR BRAKE CALIPER

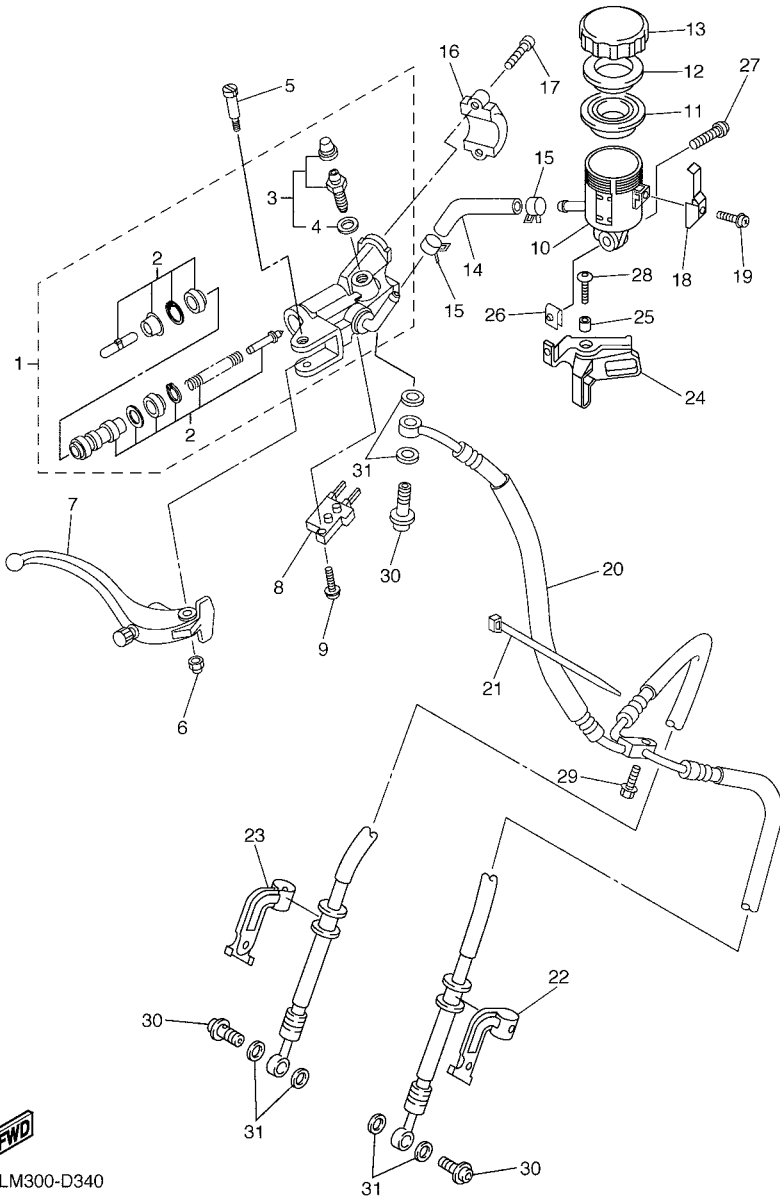
| REF. NO. | PART NO. | DESCRIPTION | 5SLV | 5SLX | REMARKS |
|----------|--------------|-----------------------|------|------|---------|
| 1 | 5SL-2582W-00 | DISK, REAR BRAKE 2 | 1 | 1 | |
| 2 | 90109-08045 | BOLT | 5 | 5 | |
| 3 | 5SL-2580W-00 | CALIPER ASSY, REAR 2 | 1 | 1 | |
| 4 | 5SL-W0057-00 | .PISTON ASSY, CALIPER | 1 | 1 | |
| 5 | 5SL-W0047-00 | ..CALIPER SEAL KIT | 1 | 1 | |
| 6 | 5SL-25917-00 | .BOOT, CALIPER | 1 | 1 | |
| 7 | 5SL-25838-00 | .SLEEVE, CALIPER | 1 | 1 | |
| 8 | 5SL-25919-00 | .SUPPORT, PAD | 1 | 1 | |
| 9 | 5SL-25914-00 | .PIN, SLIDE | 1 | 1 | |
| 10 | 5SL-25921-00 | .BRACKET, SUPPORT | 1 | 1 | |
| 11 | 3JD-25917-00 | .BOOT, CALIPER | 1 | 1 | |
| 12 | 5SL-W0046-00 | .BRAKE PAD KIT 2 | 1 | 1 | |
| 13 | 8CR-25924-00 | .PIN, PAD | 1 | 1 | |
| 14 | 5DH-25916-00 | .PLUG | 1 | 1 | |
| 15 | 5SL-25926-00 | .BOLT | 1 | 1 | |
| 16 | 1UY-W0048-00 | .BLEED SCREW KIT | 1 | 1 | |
| 17 | 5SL-25827-00 | .SHIM, CALIPER | 1 | 1 | |
| 18 | 5SL-25827-10 | .SHIM, CALIPER | 1 | 1 | |
| 19 | 5SL-25828-00 | .SHIM, CALIPER | 2 | 2 | |



5SLM300-D330

FIG. 33 STEERING HANDLE & CABLE

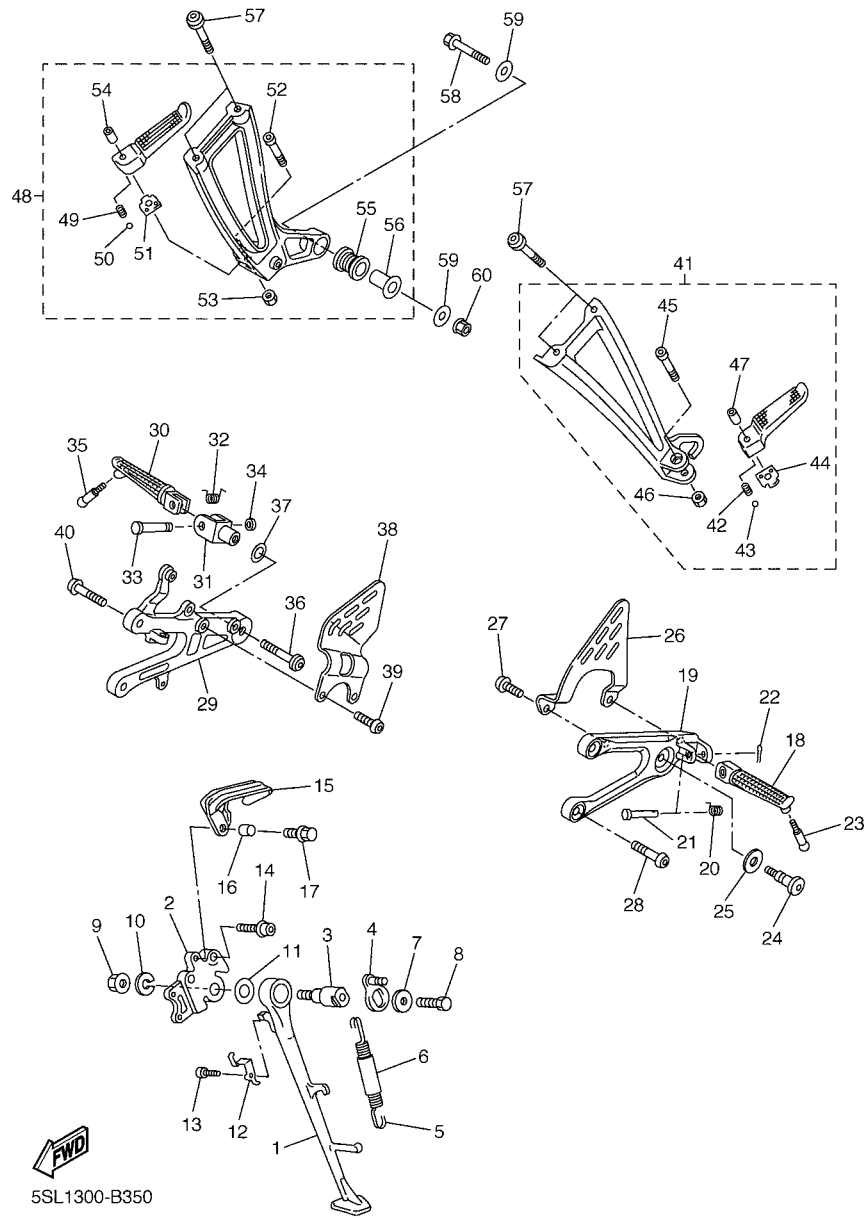
| REF. NO. | PART NO. | DESCRIPTION | 5SLV | 5SLX | REMARKS |
|----------|--------------|-------------------|------|------|---------|
| 1 | 5SL-26121-10 | HANDLEBAR (LEFT) | 1 | 1 | |
| 2 | 5EB-26246-00 | END, GRIP | 2 | 2 | |
| 3 | 91314-08030 | BOLT | 2 | 2 | |
| 4 | 90201-086J0 | WASHER, PLATE | 2 | 2 | |
| 5 | 4YR-26241-02 | GRIP (LEFT) | 1 | 1 | |
| 6 | 5SL-26335-20 | CABLE, CLUTCH | 1 | 1 | |
| 7 | 5SL-26122-10 | HANDLEBAR (RIGHT) | 1 | 1 | |
| 8 | 5SL-26240-01 | GRIP ASSY | 1 | 1 | |
| 9 | 5SL-26311-00 | CABLE, THROTTLE 1 | 1 | 1 | |
| 10 | 5SL-26312-00 | CABLE, THROTTLE 2 | 1 | 1 | |
| 11 | 91317-05014 | BOLT | 1 | 1 | |
| 12 | 90464-15157 | CLAMP | 2 | 2 | |
| 13 | 90464-15195 | CLAMP | 1 | 1 | |
| 14 | 2H9-23469-00 | CAP, BOLT | 2 | 2 | |
| 15 | 91317-06020 | BOLT | 2 | 2 | |



5SLM300-D340

FIG. 34 FRONT MASTER CYLINDER

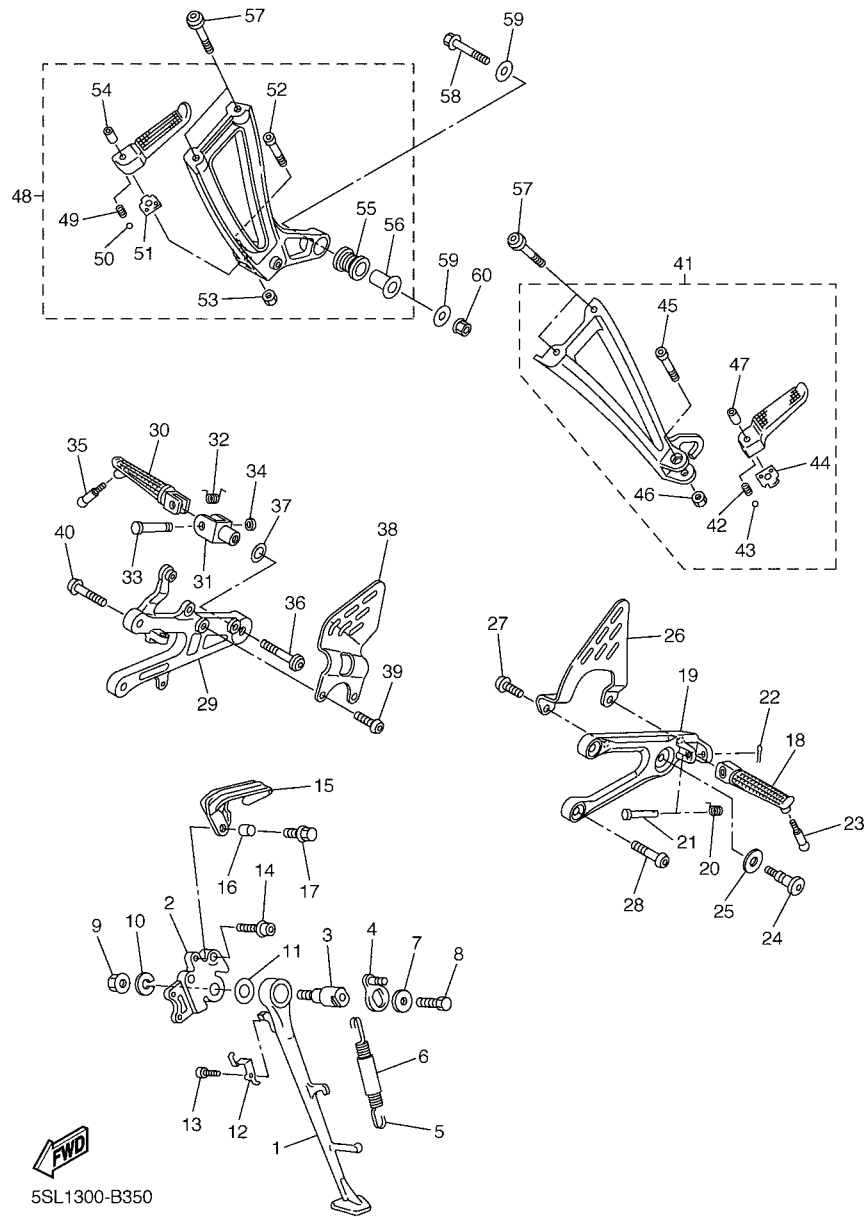
| REF. NO. | PART NO. | DESCRIPTION | 5SLV | 5SLX | REMARKS |
|----------|--------------|--------------------------|------|------|---------|
| 1 | 5SL-W2587-00 | MASTER CYLINDER SUB ASSY | 1 | 1 | |
| 2 | 5VY-W0041-00 | .CYLINDER KIT, MASTER | 1 | 1 | |
| 3 | 5VY-W0048-00 | .BLEED SCREW KIT | 1 | 1 | |
| 4 | 5VY-25975-00 | ..SEAL 1 | 1 | 1 | |
| 5 | 5VY-2589F-01 | BOLT, LEVER | 1 | 1 | |
| 6 | 5VS-2586F-00 | NUT, COVER | 1 | 1 | |
| 7 | 5SL-83922-10 | LEVER 2 | 1 | 1 | |
| 8 | 4HM-83980-00 | FRONT STOP SWITCH ASSY | 1 | 1 | |
| 9 | 5VS-2585H-00 | SCREW,SET | 1 | 1 | |
| 10 | 5SL-25894-20 | TANK, RESERVOIR | 1 | 1 | |
| 11 | 5VY-25854-00 | DIAPHRAGM, RESERVOIR | 1 | 1 | |
| 12 | 5VY-25855-00 | BUSH,DIAPHRAGM | 1 | 1 | |
| 13 | 5VY-25852-00 | CAP, RESERVOIR | 1 | 1 | |
| 14 | 5SL-25895-20 | HOSE, RESERVOIR | 1 | 1 | |
| 15 | 90467-120A3 | CLIP | 2 | 2 | |
| 16 | 5VS-25867-00 | BRACKET, MASTER CYLINDER | 1 | 1 | |
| 17 | 5VS-26332-00 | BOLT | 2 | 2 | |
| 18 | 5VY-2589G-00 | HOLDER | 1 | 1 | |
| 19 | 5VY-2589H-00 | SCREW | 1 | 1 | |
| 20 | 5SL-25872-10 | HOSE, BRAKE 1 | 1 | 1 | |
| 21 | 3MA-82591-00 | BAND | 1 | 1 | |
| 22 | 5SL-25886-10 | HOLDER, BRAKE HOSE | 1 | 1 | |
| 23 | 5SL-25887-10 | HOLDER, BRAKE HOSE | 1 | 1 | |
| 24 | 5SL-26292-10 | STAY | 1 | 1 | |
| 25 | 90387-06057 | COLLAR | 1 | 1 | |
| 26 | 90183-050A0 | NUT, SPRING | 1 | 1 | |
| 27 | 90149-05244 | SCREW | 1 | 1 | |



5SL1300-B350

FIG. 35 STAND & FOOTREST

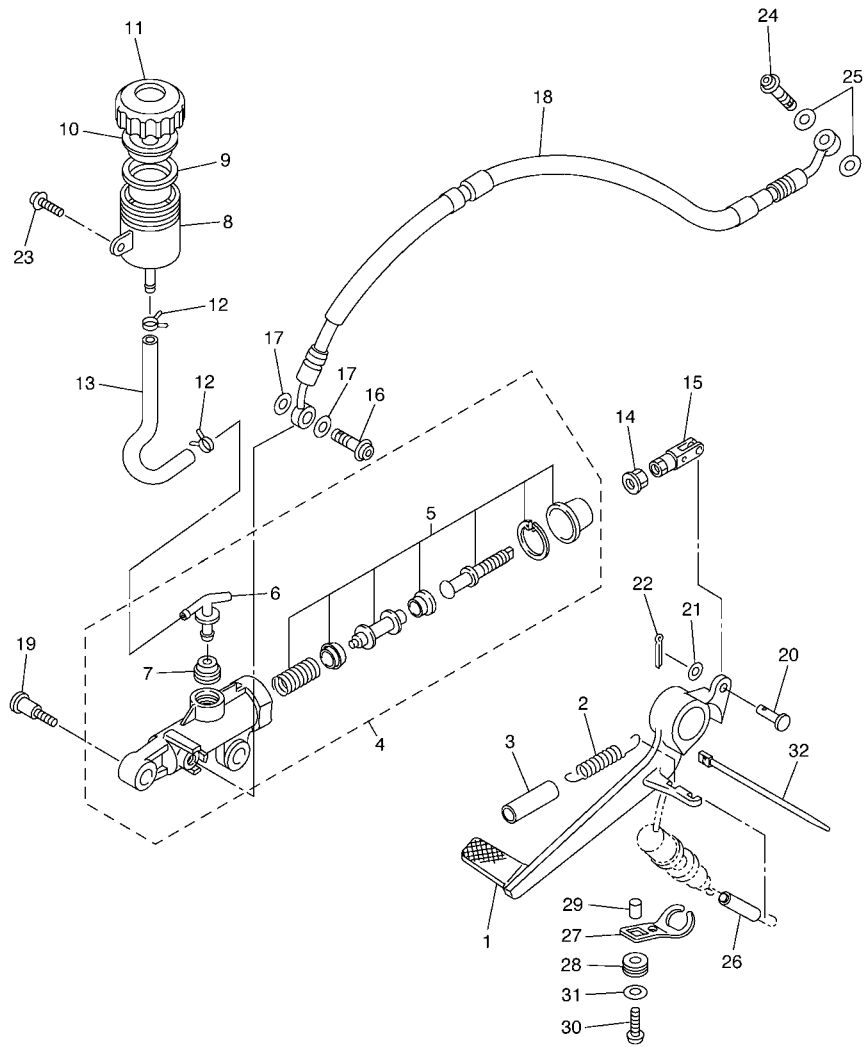
| REF. NO. | PART NO. | DESCRIPTION | 5SLV | 5SLX | REMARKS |
|----------|--------------|---------------------|------|------|---------|
| 1 | 5SL-27311-10 | STAND, SIDE | 1 | 1 | |
| 2 | 5SL-27321-00 | BRACKET, SIDE STAND | 1 | 1 | |
| 3 | 4NX-27351-00 | GUIDE, SIDE STAND | 1 | 1 | |
| 4 | 5PW-27352-00 | HOOK, SIDE STAND | 1 | 1 | |
| 5 | 90506-18008 | SPRING, TENSION | 1 | 1 | |
| 6 | 90445-19002 | HOSE (L60) | 1 | 1 | |
| 7 | 90201-081R9 | WASHER, PLATE | 1 | 1 | |
| 8 | 90101-08662 | BOLT | 1 | 1 | |
| 9 | 95607-10200 | NUT, U FLANGE | 1 | 1 | |
| 10 | 90201-101J1 | WASHER, PLATE | 1 | 1 | |
| 11 | 90201-146F9 | WASHER, PLATE | 1 | 1 | |
| 12 | 5JJ-27315-00 | LINK, SIDE STAND | 1 | 1 | |
| 13 | 91317-06012 | BOLT | 1 | 1 | |
| 14 | 90109-105G7 | BOLT | 2 | 2 | |
| 15 | 5SL-22187-00 | GUIDE, CHAIN | 1 | 1 | |
| 16 | 90387-073M0 | COLLAR | 1 | 1 | |
| 17 | 90119-06192 | BOLT, WITH WASHER | 1 | 1 | |
| 18 | 5SL-27451-00 | FOOTREST | 1 | 1 | |
| 19 | 5SL-27442-00 | BRACKET 2 | 1 | 1 | |
| 20 | 90508-18134 | SPRING, TORSION | 1 | 1 | |
| 21 | 90240-08084 | PIN, CLEVIS | 1 | 1 | |
| 22 | 91401-25015 | PIN, COTTER | 1 | 1 | |
| 23 | 90109-08018 | BOLT | 1 | 1 | |
| 24 | 4BP-27434-01 | BOLT | 1 | 1 | |
| 25 | 90201-08326 | WASHER, PLATE | 1 | 1 | |
| 26 | 5SL-27445-00 | PLATE 1 | 1 | 1 | |
| 27 | 90149-06233 | SCREW | 2 | 2 | |



5SL1300-B350

FIG. 35 STAND & FOOTREST

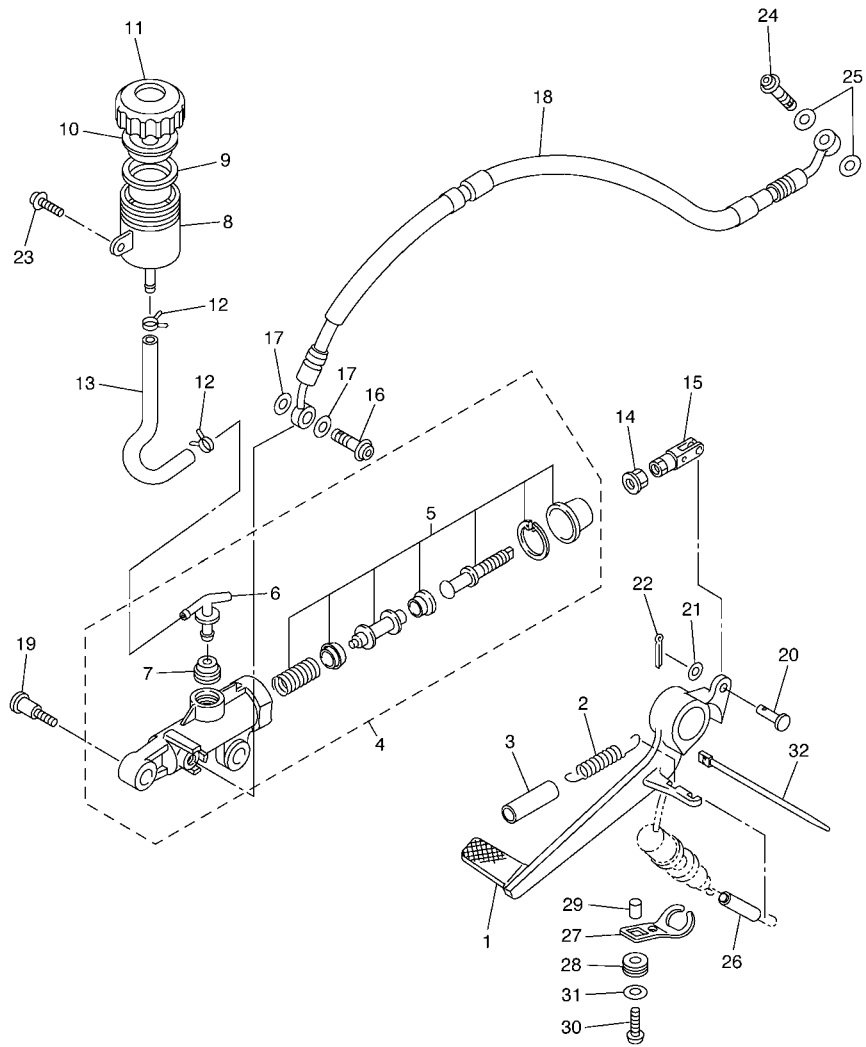
| REF. NO. | PART NO. | DESCRIPTION | 5SLV | 5SLX | REMARKS |
|----------|--------------|----------------------|------|------|---------|
| 28 | 90109-085G6 | BOLT | 2 | 2 | |
| 29 | 5SL-27443-00 | BRACKET 3 | 1 | 1 | |
| 30 | 5SL-27461-00 | FOOTREST | 1 | 1 | |
| 31 | 5JJ-27411-01 | FOOTREST 1 | 1 | 1 | |
| 32 | 90508-18135 | SPRING, TORSION | 1 | 1 | |
| 33 | 90243-08029 | PIN | 1 | 1 | |
| 34 | 90201-06042 | WASHER, PLATE | 1 | 1 | |
| 35 | 90109-08018 | BOLT | 1 | 1 | |
| 36 | 90149-08296 | SCREW | 1 | 1 | |
| 37 | 90201-13008 | WASHER, PLATE | 1 | 1 | |
| 38 | 5SL-27446-00 | PLATE 2 | 1 | 1 | |
| 39 | 90149-06233 | SCREW | 2 | 2 | |
| 40 | 90109-085G6 | BOLT | 2 | 2 | |
| 41 | 5SL-27430-00 | REAR FOOTREST ASSY 1 | 1 | 1 | |
| 42 | 90501-12743 | .SPRING, COMPRESSION | 1 | 1 | |
| 43 | 93501-04011 | .BALL | 1 | 1 | |
| 44 | 5JJ-27437-00 | .WASHER, SPECIAL | 1 | 1 | |
| 45 | 91314-06035 | .BOLT | 1 | 1 | |
| 46 | 95604-06200 | .NUT, U FLANGE | 1 | 1 | |
| 47 | 90387-06697 | .COLLAR | 1 | 1 | |
| 48 | 5SL-27440-00 | REAR FOOTREST ASSY 2 | 1 | 1 | |
| 49 | 90501-12743 | .SPRING, COMPRESSION | 1 | 1 | |
| 50 | 93501-04011 | .BALL | 1 | 1 | |
| 51 | 5JJ-27437-00 | .WASHER, SPECIAL | 1 | 1 | |
| 52 | 91314-06035 | .BOLT | 1 | 1 | |
| 53 | 95604-06200 | .NUT, U FLANGE | 1 | 1 | |
| 54 | 90387-06697 | .COLLAR | 1 | 1 | |



5SL1300-B360

FIG. 36 REAR MASTER CYLINDER

| REF. NO. | PART NO. | DESCRIPTION | 5SLV | 5SLX | REMARKS |
|----------|--------------|---------------------------|------|------|---------|
| 1 | 5SL-27211-00 | PEDAL, BRAKE | 1 | 1 | |
| 2 | 90506-20193 | SPRING, TENSION | 1 | 1 | |
| 3 | 90446-15386 | HOSE | 1 | 1 | |
| 4 | 5SL-2583V-00 | RR. MASTER CYLINDER ASSY. | 1 | 1 | |
| 5 | 5SL-W0042-50 | .CYLINDER KIT, MASTER | 1 | 1 | |
| 6 | 5SL-2582A-00 | .JOINT | 1 | 1 | |
| 7 | 4BP-2585F-00 | .BUSH | 1 | 1 | |
| 8 | 5SL-25894-00 | TANK, RESERVOIR | 1 | 1 | |
| 9 | 5SL-25854-00 | DIAPHRAGM, RESERVOIR | 1 | 1 | |
| 10 | 5SL-25855-00 | BUSH,DIAPHRAGM | 1 | 1 | |
| 11 | 5SL-25852-00 | CAP, RESERVOIR | 1 | 1 | |
| 12 | 90467-010A0 | CLIP | 2 | 2 | |
| 13 | 5SL-25895-00 | HOSE, RESERVOIR | 1 | 1 | |
| 14 | 95307-08700 | NUT | 1 | 1 | |
| 15 | 5SL-27222-00 | JOINT | 1 | 1 | |
| 16 | 90401-10172 | BOLT, UNION | 1 | 1 | |
| 17 | 90201-10118 | WASHER, PLATE | 2 | 2 | |
| 18 | 5SL-25874-00 | HOSE, BRAKE | 1 | 1 | |
| 19 | 90109-06013 | BOLT | 2 | 2 | |
| 20 | 91701-06018 | PIN, CLEVIS | 1 | 1 | |
| 21 | 92907-06200 | WASHER | 1 | 1 | |
| 22 | 91401-16012 | PIN, COTTER | 1 | 1 | |
| 23 | 90159-06056 | SCREW, WITH WASHER | 1 | 1 | |
| 24 | 90401-10172 | BOLT, UNION | 1 | 1 | |
| 25 | 90201-10118 | WASHER, PLATE | 2 | 2 | |
| 26 | 90446-08001 | HOSE | 1 | 1 | |
| 27 | 5SL-2144G-00 | STAY, STOP SWITCH | 1 | 1 | |



5SL1300-B360

FIG. 36 REAR MASTER CYLINDER

| REF. NO. | PART NO. | DESCRIPTION | 5SLV | 5SLX | | | | REMARKS |
|----------|--------------|-------------------|------|------|--|--|--|---------|
| | | | 1 | 1 | | | | |
| 28 | 90480-12607 | GROMMET | 1 | 1 | | | | |
| 29 | 90387-06023 | COLLAR | 1 | 1 | | | | |
| 30 | 92017-06016 | BOLT, BUTTON HEAD | 1 | 1 | | | | |
| 31 | 90201-06380 | WASHER, PLATE | 1 | 1 | | | | |
| 32 | 5Y9-12491-00 | CLAMP 1 | 1 | 1 | | | | |
| | | | | | | | | |
| | | | | | | | | |
| | | | | | | | | |
| | | | | | | | | |
| | | | | | | | | |
| | | | | | | | | |

FIG. 37 COWLING 1

| REF. NO. | PART NO. | DESCRIPTION | 5SLV | 5SLX | REMARKS |
|----------|-----------------|----------------------|------|------|----------|
| 1 | 5SL-Y2881-30 | WINDSHIELD | 1 | 1 | |
| 2 | 5SL-2832C-00 | .GRAPHIC 16 | 1 | 1 | |
| 3 | 5SL-28338-00 | .EMBLEM | 2 | 2 | |
| 4 | 90150-05024 | SCREW, ROUND HEAD | 4 | 4 | |
| 5 | 90179-05523 | NUT | 4 | 4 | |
| 6 | 5SL-Y283G-01-0X | BODY, FRONT UPPER 1 | 1 | 1 | RYC1/SMX |
| 7 | 90183-05024 | .NUT, SPRING | 4 | 4 | |
| 8 | 5SL-28428-00 | .SEAL 1 | 1 | 1 | |
| 9 | 5SL-28429-00 | .SEAL 2 | 1 | 1 | |
| 10 | 5SL-28308-00 | .EMBLEM, SET | 1 | 1 | |
| 11 | 5SL-2839H-00 | .EMBLEM 1 | 1 | 1 | |
| 12 | 5SL-28315-60 | .EMBLEM | 1 | 1 | |
| 13 | 97707-50016 | SCREW, TAPPING | 3 | 3 | |
| 14 | 90160-05007 | SCREW, ROUND TAPPING | 2 | 2 | |
| 15 | 5SL-28356-00 | STAY 1 | 1 | 1 | |
| 16 | 4XV-83513-00 | DAMPER | 7 | 7 | |
| 17 | 90105-08052 | BOLT, FLANGE | 2 | 2 | |
| 18 | 90202-05088 | WASHER, PLATE | 2 | 2 | |
| 19 | 90167-05078 | SCREW, TAPPING | 2 | 2 | |
| 20 | 5SL-2837L-01 | PANEL, CONSOLE 1 | 1 | 1 | |
| 21 | 90183-05061 | NUT, SPRING | 2 | 2 | |
| 22 | 4XY-21649-00 | DAMPER | 1 | 1 | |
| 23 | 1FK-84527-00 | DAMPER | 1 | 1 | |
| 24 | 5SL-28416-00 | DAMPER 2 | 1 | 1 | |
| 25 | 5SL-2837M-01 | PANEL, CONSOLE 2 | 1 | 1 | |
| 26 | 90183-05061 | NUT, SPRING | 2 | 2 | |
| 27 | 4XY-21649-00 | DAMPER | 1 | 1 | |

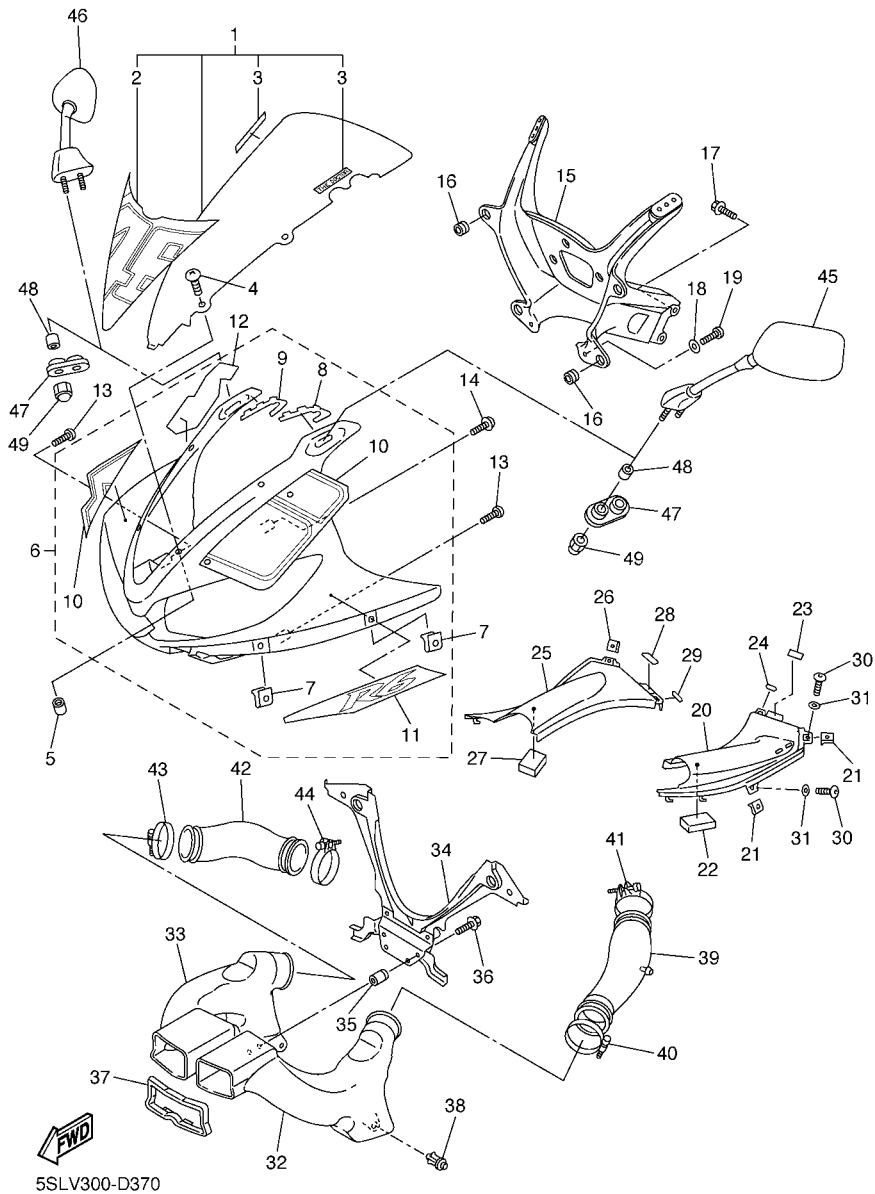


FIG. 37 COWLING 1

| REF. NO. | PART NO. | DESCRIPTION | 5SLV | 5SLX | REMARKS |
|----------|--------------|-------------------------------|------|------|---------|
| 28 | 1FK-84527-00 | DAMPER | 1 | 1 | |
| 29 | 5SL-28416-00 | DAMPER 2 | 1 | 1 | |
| 30 | 90111-05003 | BOLT | 4 | 4 | |
| 31 | 90202-05180 | WASHER, PLATE | 4 | 4 | |
| 32 | 5SL-2838R-00 | DUCT 2 | 1 | 1 | |
| 33 | 5SL-2838T-00 | DUCT 3 | 1 | 1 | |
| 34 | 5SL-2838E-00 | COVER, HEADLIGHT | 1 | 1 | |
| 35 | 90179-05523 | NUT | 4 | 4 | |
| 36 | 90119-05001 | BOLT, WITH WASHER | 4 | 4 | |
| 37 | 5SL-28371-00 | DAMPER | 1 | 1 | |
| 38 | 90269-06008 | RIVET | 2 | 2 | |
| 39 | 5EB-1446F-00 | JOINT, SURGE TANK 1 | 1 | 1 | |
| 40 | 4TV-13575-00 | BAND | 1 | 1 | |
| 41 | 90460-59211 | CLAMP, HOSE | 1 | 1 | |
| 42 | 5EB-1446F-00 | JOINT, SURGE TANK 1 | 1 | 1 | |
| 43 | 4TV-13575-00 | BAND | 1 | 1 | |
| 44 | 90460-59211 | CLAMP, HOSE | 1 | 1 | |
| 45 | 5SL-26280-00 | REAR VIEW MIRROR ASSY (LEFT) | 1 | 1 | |
| 46 | 5SL-26290-00 | REAR VIEW MIRROR ASSY (RIGHT) | 1 | 1 | |
| 47 | 5SL-26298-00 | PLATE, MIRROR FITTING 1 | 2 | 2 | |
| 48 | 90387-06057 | COLLAR | 4 | 4 | |
| 49 | 90176-06008 | NUT, CROWN | 4 | 4 | |

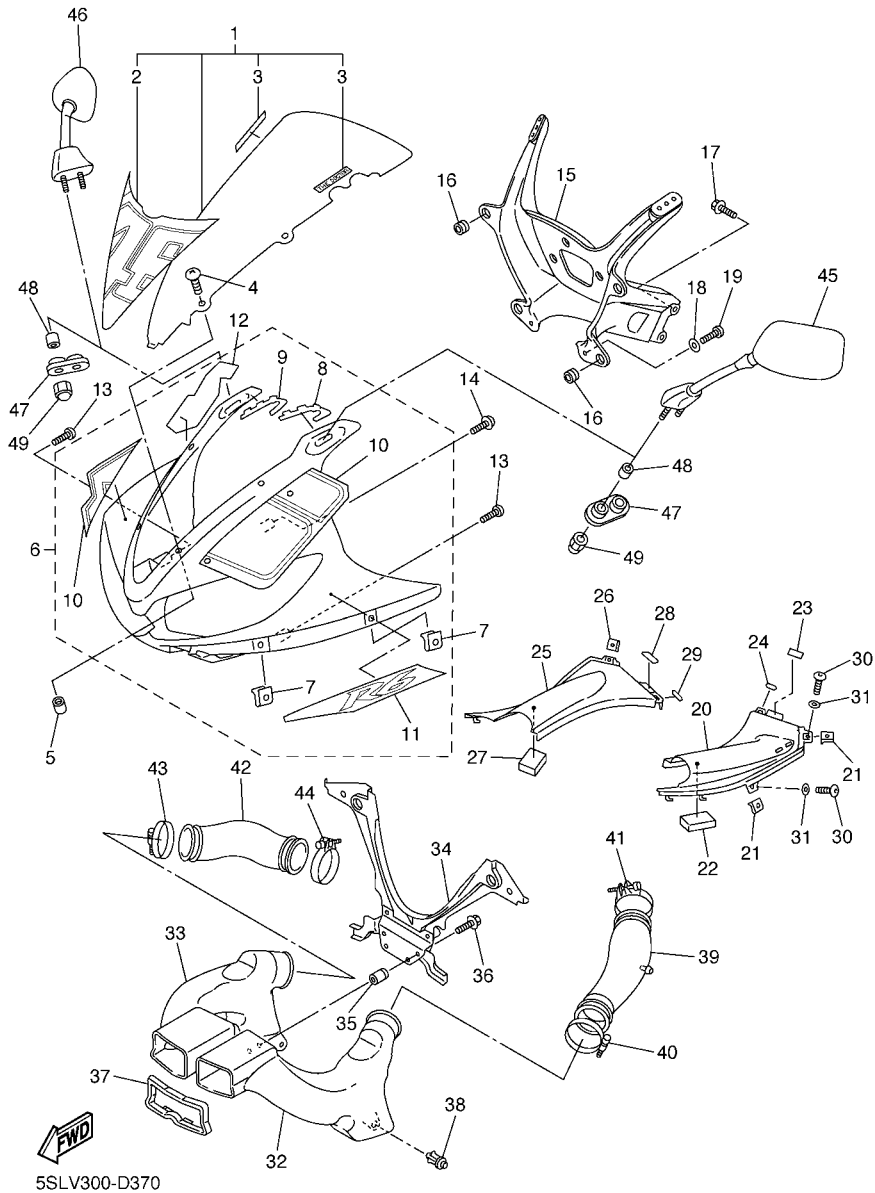


FIG. 38 COWLING 2

| REF. NO. | PART NO. | DESCRIPTION | 5SLV | 5SLX | REMARKS |
|----------|-----------------|---------------------|------|------|---------|
| 1 | 5SL-Y283U-J0-P4 | PANEL ASSEMBLY 1 | 1 | 1 | SMX |
| 2 | 90387-06057 | .COLLAR | 1 | 1 | |
| 3 | 90480-14003 | .GROMMET | 1 | 1 | |
| 4 | 5SL-2836T-00 | .DAMPER, LOCATING 1 | 1 | 1 | |
| 5 | 5SL-2839J-00 | .GRAPHIC 11 | 1 | 1 | |
| 6 | 5SL-2839F-00 | .GRAPHIC 9 | 1 | 1 | |
| 7 | 5SL-Y283V-J0-P6 | PANEL ASSEMBLY 2 | 1 | 1 | RYC1 |
| 8 | 90387-06057 | .COLLAR | 1 | 1 | |
| 9 | 90480-14003 | .GROMMET | 1 | 1 | |
| 10 | 5SL-2836U-00 | .DAMPER, LOCATING 2 | 1 | 1 | |
| 11 | 5SL-2839G-00 | .GRAPHIC 10 | 1 | 1 | |
| 12 | 5SL-283B2-00 | .GRAPHIC SET | 1 | 1 | |
| 13 | 90111-05003 | BOLT | 4 | 4 | |
| 14 | 90202-05180 | WASHER, PLATE | 4 | 4 | |
| 15 | 90111-06040 | BOLT | 2 | 2 | |
| 16 | 5SL-2836K-00 | PANEL, INNER 1 | 1 | 1 | |
| 17 | 5SL-2836L-00 | PANEL, INNER 2 | 1 | 1 | |
| 18 | 90269-06008 | RIVET | 6 | 6 | |
| 19 | 5SL-Y2808-90-P0 | COVER ASSY, UNDER | 1 | 1 | SMX |
| 20 | 5SL-2843J-00 | .COVER 3 | 1 | 1 | |
| 21 | 90183-05024 | .NUT, SPRING | 2 | 2 | |
| 22 | 90480-14003 | .GROMMET | 2 | 2 | |
| 23 | 90387-06057 | .COLLAR | 2 | 2 | |
| 24 | 90183-05061 | .NUT, SPRING | 5 | 5 | |
| 25 | 90111-05002 | .BOLT | 2 | 2 | |
| 26 | 5SL-2834E-00 | .DAMPER 1 | 1 | 1 | |
| 27 | 5SL-2837J-00 | .DAMPER 5 | 1 | 1 | |

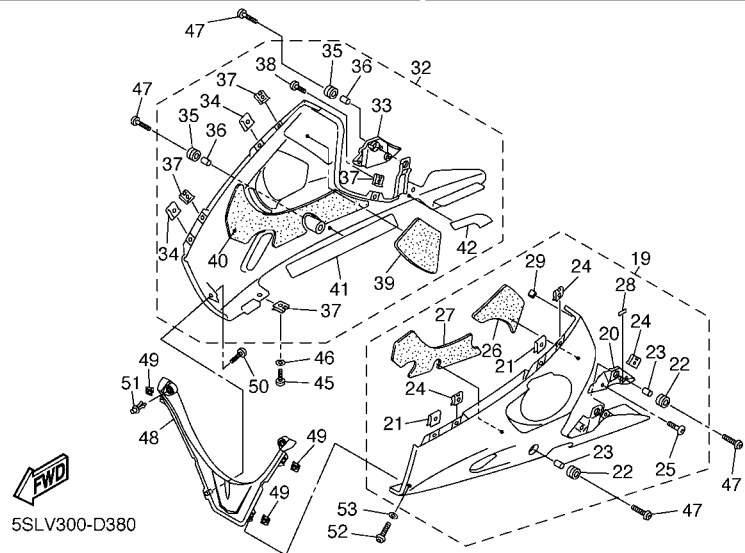
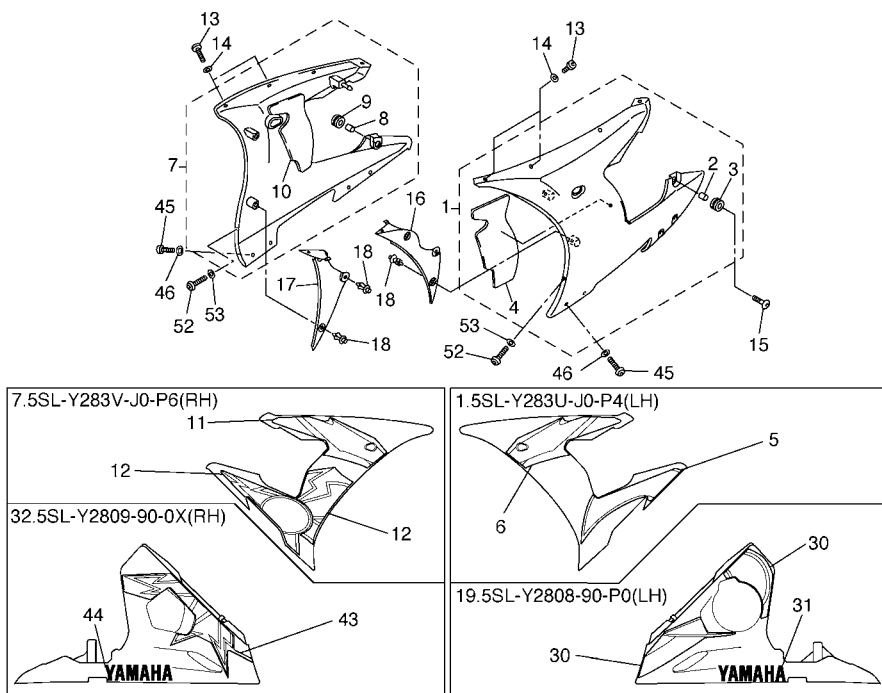


FIG. 38 COWLING 2

| REF. NO. | PART NO. | DESCRIPTION | 5SLV | 5SLX | REMARKS |
|----------|-----------------|-------------------------|------|------|----------|
| 28 | 1HX-27415-00 | .PLATE, DAMPER | 1 | 1 | |
| 29 | 5SL-21649-00 | .DAMPER | 1 | 1 | |
| 30 | 5SL-283B1-00 | .GRAPHIC SET | 1 | 1 | |
| 31 | 99241-00280 | .EMBLEM, YAMAHA | 1 | 1 | |
| 32 | 5SL-Y2809-90-0X | COVER ASSY 2, UNDER | 1 | 1 | RYC1/SMX |
| 33 | 5SL-2844J-00 | .COVER 4 | 1 | 1 | |
| 34 | 90183-05024 | .NUT, SPRING | 2 | 2 | |
| 35 | 90480-14003 | .GROMMET | 2 | 2 | |
| 36 | 90387-06057 | .COLLAR | 2 | 2 | |
| 37 | 90183-05061 | .NUT, SPRING | 4 | 4 | |
| 38 | 90111-05002 | .BOLT | 2 | 2 | |
| 39 | 5SL-2834F-00 | .DAMPER | 1 | 1 | |
| 40 | 5SL-2837K-00 | .DAMPER 6 | 1 | 1 | |
| 41 | 5SL-2838G-00 | .SEAT 1 | 1 | 1 | |
| 42 | 5SL-2848K-00 | .SEAT 2 | 1 | 1 | |
| 43 | 5SL-283A4-00 | .GRAPHIC, UNDER COVER 4 | 1 | 1 | |
| 44 | 99241-00280 | .EMBLEM, YAMAHA | 1 | 1 | |
| 45 | 90111-05003 | BOLT | 9 | 9 | |
| 46 | 90202-05180 | WASHER, PLATE | 9 | 9 | |
| 47 | 90111-06040 | BOLT | 4 | 4 | |
| 48 | 5SL-2836M-10 | PANEL, INNER 3 | 1 | 1 | |
| 49 | 90183-05061 | NUT, SPRING | 3 | 3 | |
| 50 | 97707-50016 | SCREW, TAPPING | 1 | 1 | |
| 51 | 90269-07007 | RIVET | 2 | 2 | |
| 52 | 90111-05003 | BOLT | 3 | 3 | |
| 53 | 90202-05180 | WASHER, PLATE | 3 | 3 | |

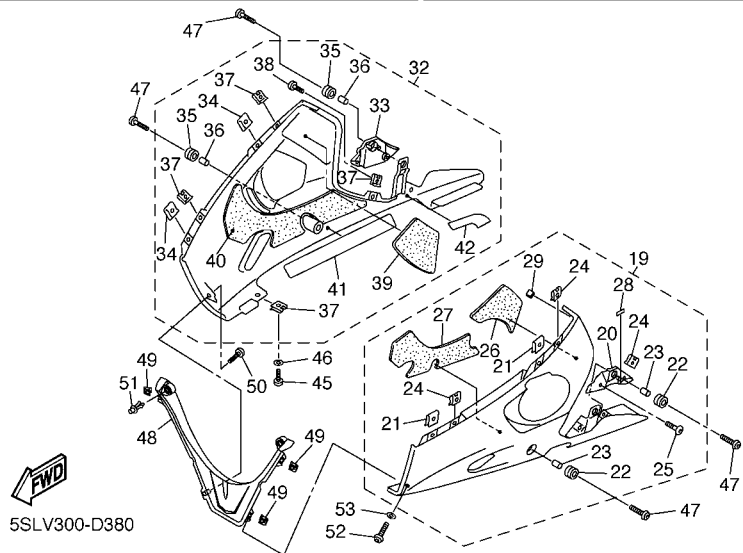
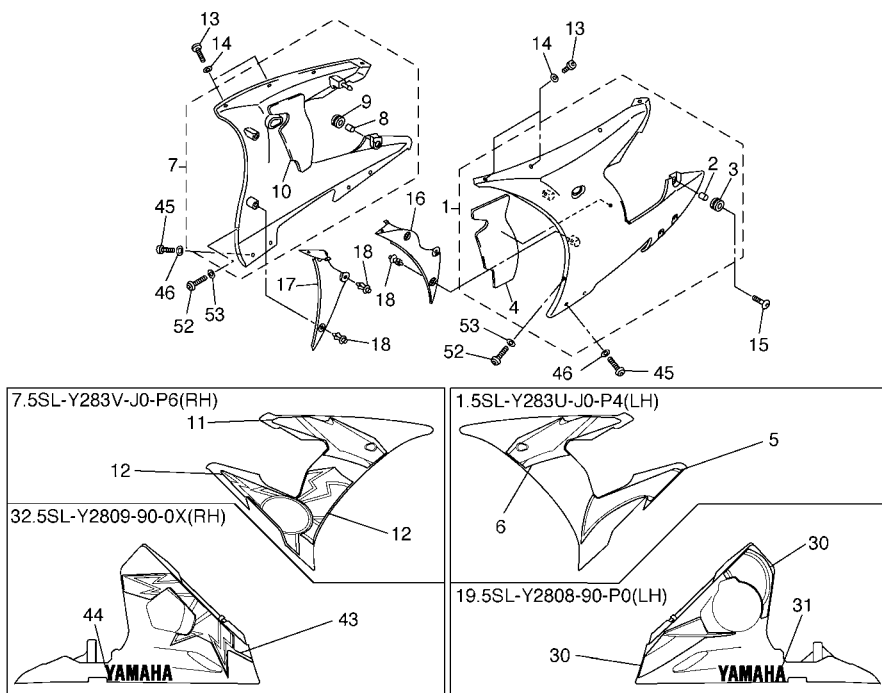
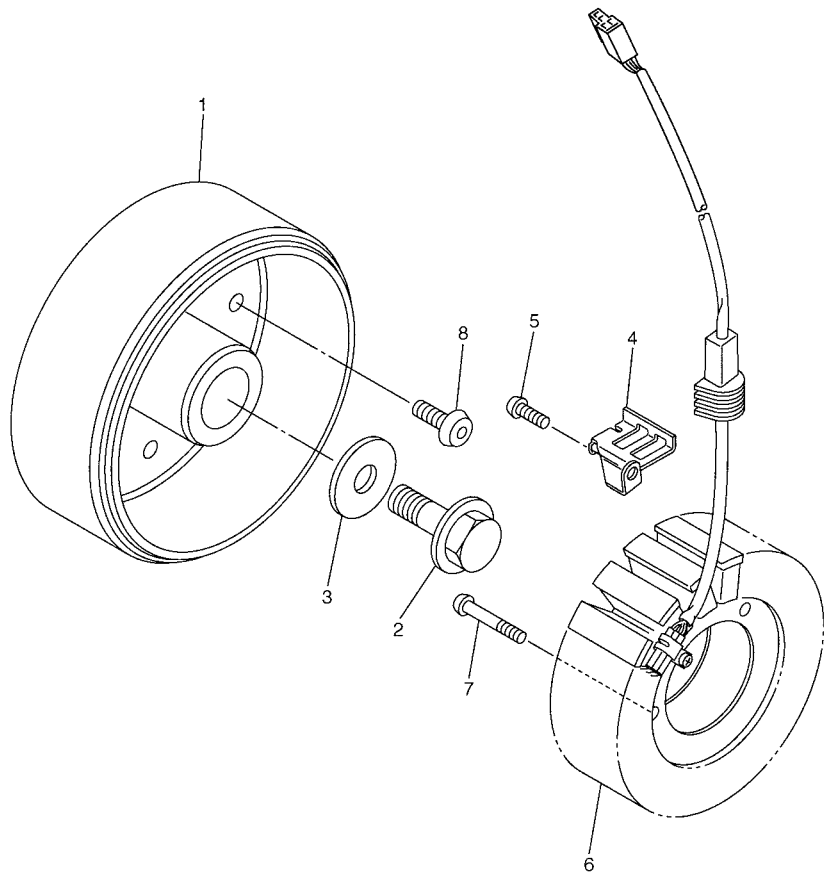


FIG. 39 GENERATOR



| REF. NO. | PART NO. | DESCRIPTION | 5SLV | 5SLX | | | | REMARKS |
|----------|--------------|---------------|------|------|--|--|--|---------|
| 1 | 5SL-81450-01 | ROTOR ASSY | 1 | 1 | | | | |
| 2 | 90105-126A8 | BOLT, FLANGE | 1 | 1 | | | | |
| 3 | 90201-12008 | WASHER, PLATE | 1 | 1 | | | | |
| 4 | 5SL-15484-00 | CLAMP 2 | 1 | 1 | | | | |
| 5 | 90149-06018 | SCREW | 1 | 1 | | | | |
| 6 | 5SL-81410-00 | STATOR ASSY | 1 | 1 | | | | |
| 7 | 90149-06031 | SCREW | 3 | 3 | | | | |
| 8 | 90149-08003 | SCREW | 3 | 3 | | | | |
| | | | | | | | | |
| | | | | | | | | |
| | | | | | | | | |
| | | | | | | | | |
| | | | | | | | | |
| | | | | | | | | |
| | | | | | | | | |
| | | | | | | | | |
| | | | | | | | | |
| | | | | | | | | |
| | | | | | | | | |


5SL1300-B390

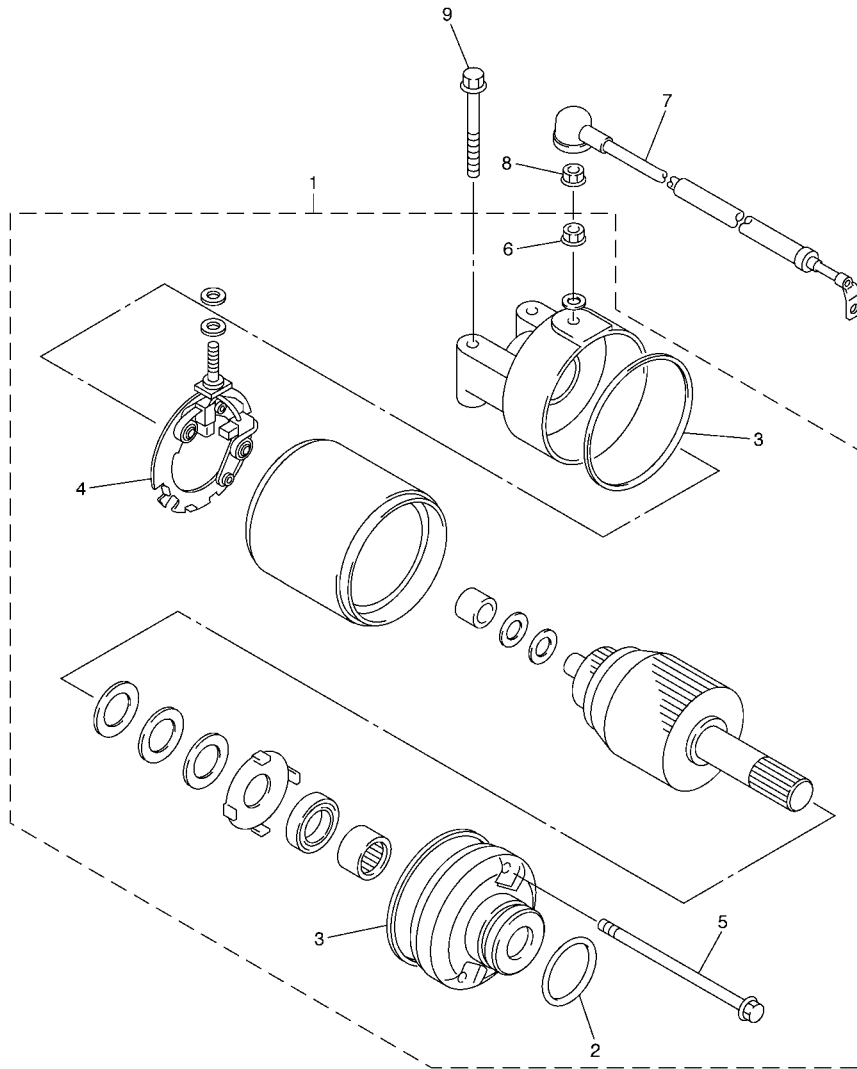
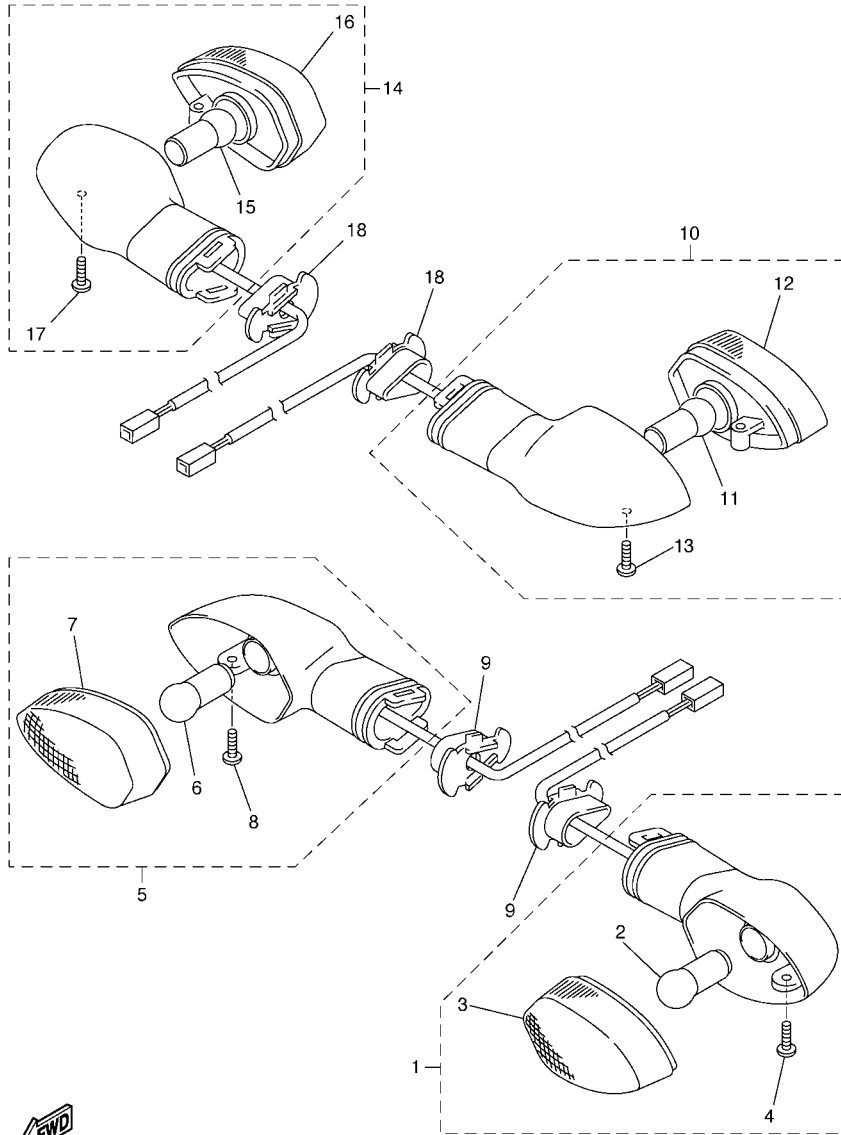


FIG. 40 STARTING MOTOR

| REF. NO. | PART NO. | DESCRIPTION | 5SLV | 5SLX | REMARKS |
|----------|--------------|--------------|------|------|---------|
| 1 | 5EB-81890-00 | MOTOR ASSY | 1 | 1 | |
| 2 | 1FK-81847-00 | .O-RING | 1 | 1 | |
| 3 | 4WP-81844-00 | .GASKET | 2 | 2 | |
| 4 | 4WP-81801-00 | .BRUSH SET | 1 | 1 | |
| 5 | 4WP-81826-00 | .BOLT | 2 | 2 | |
| 6 | 4XV-8182A-00 | .NUT | 1 | 1 | |
| 7 | 5SL-8183G-00 | CORD COMP. | 1 | 1 | |
| 8 | 4XV-8182A-00 | NUT | 1 | 1 | |
| 9 | 95027-06040 | BOLT, FLANGE | 2 | 2 | |
| | | | | | |
| | | | | | |
| | | | | | |
| | | | | | |
| | | | | | |
| | | | | | |
| | | | | | |
| | | | | | |
| | | | | | |
| | | | | | |
| | | | | | |
| | | | | | |



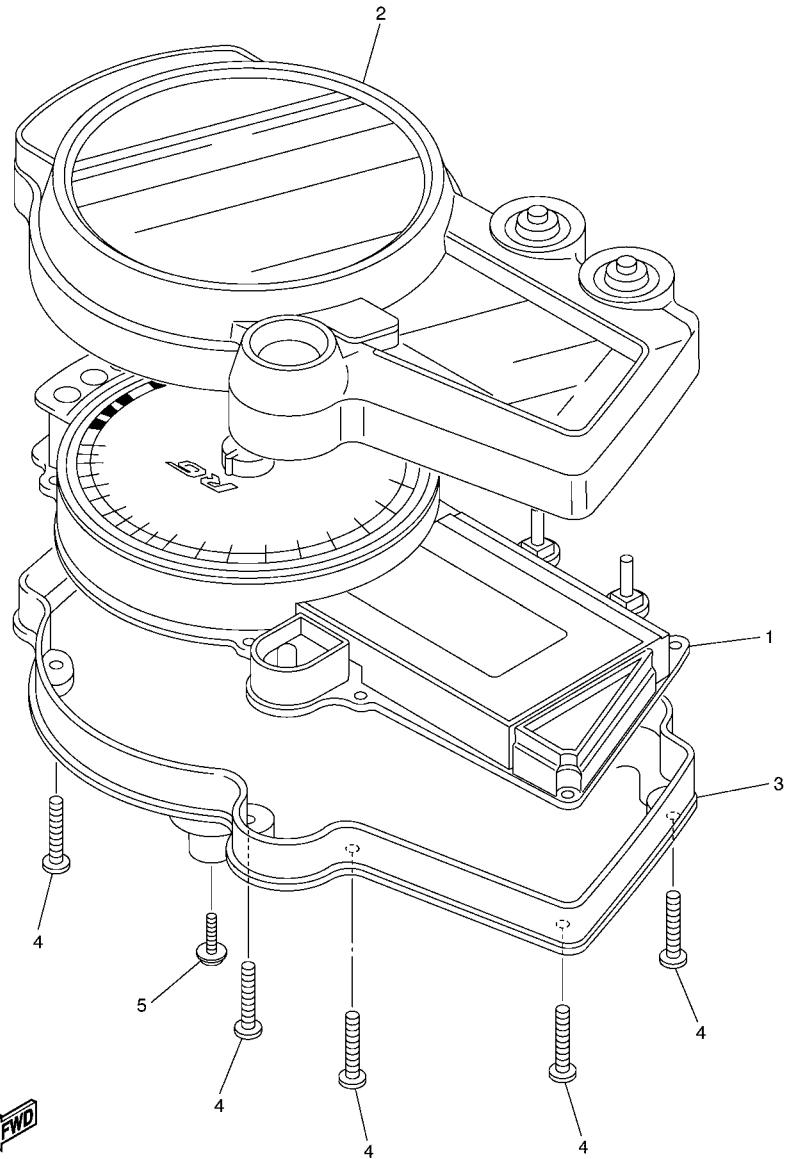
5SL1300-B400



5PW1300-2410

FIG. 41 FLASHER LIGHT

| REF. NO. | PART NO. | DESCRIPTION | SSLV | SSLX | REMARKS |
|----------|--------------|----------------------------|------|------|---------|
| 1 | 5PW-83310-01 | FRONT FLASHER LIGHT ASSY 1 | 1 | 1 | |
| 2 | 1KH-83311-00 | .BULB (12V-10W) | 1 | 1 | |
| 3 | 5PW-8333A-00 | .LENS COMP | 1 | 1 | |
| 4 | 97706-04012 | .SCREW, TAPPING | 1 | 1 | |
| 5 | 5PW-83320-01 | FRONT FLASHER LIGHT ASSY 2 | 1 | 1 | |
| 6 | 1KH-83311-00 | .BULB (12V-10W) | 1 | 1 | |
| 7 | 5PW-8334A-00 | .LENS COMP | 1 | 1 | |
| 8 | 97706-04012 | .SCREW, TAPPING | 1 | 1 | |
| 9 | 5PW-83318-00 | STAY, FLASHER 1 | 2 | 2 | |
| 10 | 5PW-83330-00 | REAR FLASHER LIGHT ASSY 1 | 1 | 1 | |
| 11 | 1KH-83311-00 | .BULB (12V-10W) | 1 | 1 | |
| 12 | 5PW-8334A-00 | .LENS COMP | 1 | 1 | |
| 13 | 97706-04012 | .SCREW, TAPPING | 1 | 1 | |
| 14 | 5PW-83340-00 | REAR FLASHER LIGHT ASSY 2 | 1 | 1 | |
| 15 | 1KH-83311-00 | .BULB (12V-10W) | 1 | 1 | |
| 16 | 5PW-8333A-00 | .LENS COMP | 1 | 1 | |
| 17 | 97706-04012 | .SCREW, TAPPING | 1 | 1 | |
| 18 | 5PW-83318-00 | STAY, FLASHER 1 | 2 | 2 | |



5SL1300-B420

FIG. 42 METER

| REF. NO. | PART NO. | DESCRIPTION | 5SLV | 5SLX | REMARKS |
|----------|--------------|-------------------------|------|------|---------|
| | | | | | |
| 1 | 5SL-83570-01 | SPEEDOMETER ASSY (KM/H) | 1 | 1 | |
| | 5SL-83570-11 | SPEEDOMETER ASSY (MPH) | 1 | | FOR GBR |
| 2 | 5PW-8353E-00 | CASE, METER UPPER | 1 | 1 | |
| 3 | 5PW-83572-00 | CASE, SPEEDOMETER LOWER | 1 | 1 | |
| 4 | 5PW-8352S-00 | SCREW, PANEL FTING | 8 | 8 | |
| 5 | 90160-05006 | SCREW, ROUND TAPPING | 3 | 3 | |
| | | | | | |
| | | | | | |
| | | | | | |
| | | | | | |
| | | | | | |
| | | | | | |
| | | | | | |
| | | | | | |

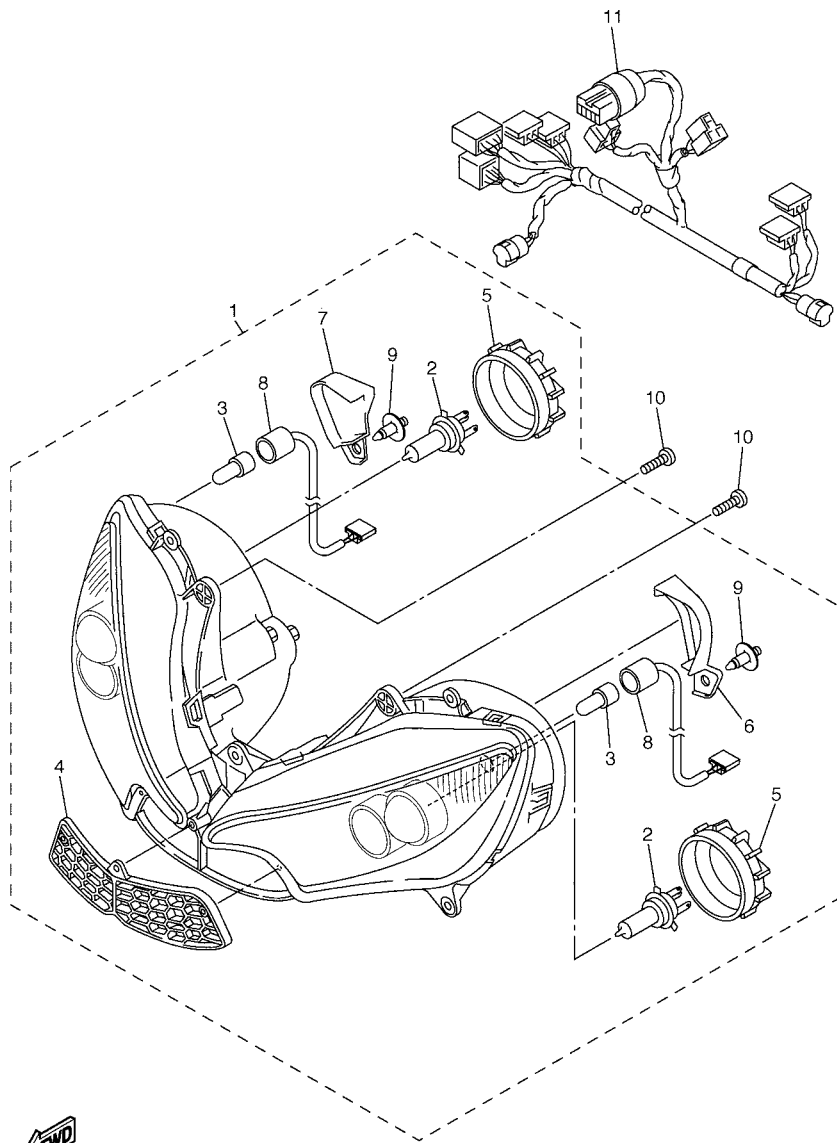
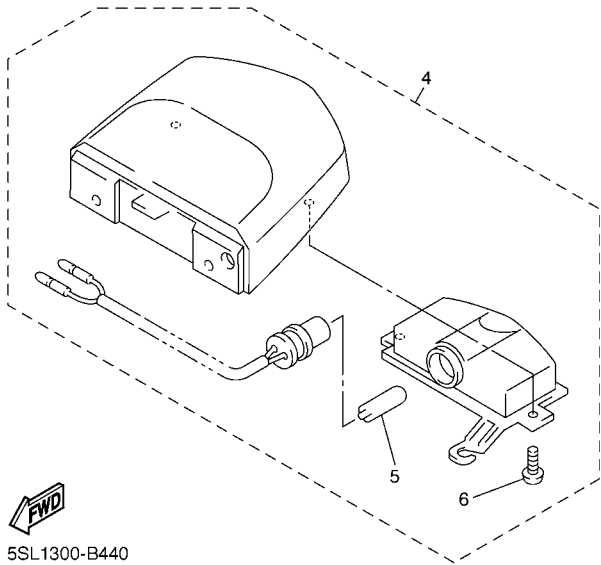
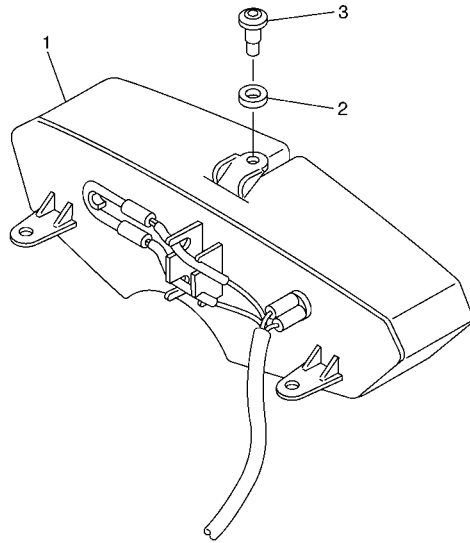


FIG. 43 HEADLIGHT

| REF. NO. | PART NO. | DESCRIPTION | 5SLV | 5SLX | REMARKS |
|----------|--------------|----------------------|------|------|-------------------|
| | | | | | |
| 1 | 5SL-84300-01 | HEADLIGHT ASSY | 1 | | |
| | 5SL-84300-11 | HEADLIGHT ASSY | 1 | 1 | FOR GBR, IRL, ZAF |
| 2 | 4SV-84314-00 | .BULB (12V-55W) | 2 | 2 | (H7)HALOGEN |
| 3 | 4SV-84347-00 | .BULB (12V-5W) | 2 | 2 | |
| 4 | 5SL-2837N-00 | .GRILL, AIR INTAKE 1 | 1 | 1 | |
| 5 | 5SL-84397-00 | .COVER, SOCKET | 2 | 2 | |
| 6 | 5SL-84196-00 | .COVER (L.H) | 1 | 1 | |
| 7 | 5SL-84396-00 | .COVER (R.H) | 1 | 1 | |
| 8 | 5SL-84312-00 | .CORD ASSY | 2 | 2 | |
| 9 | 90269-06008 | .RIVET | 2 | 2 | |
| 10 | 90160-05006 | SCREW, ROUND TAPPING | 4 | 4 | |
| 11 | 5SL-84359-01 | CORD, HEADLIGHT | 1 | 1 | |



5SL1300-B431



FWD
5SL1300-B440

FIG. 44 TAILLIGHT

| REF. NO. | PART NO. | DESCRIPTION | 5SLV | 5SLX | REMARKS |
|----------|--------------|-------------------------|------|------|---------|
| 1 | 5SL-84710-00 | TAILLIGHT UNIT ASSY | 1 | 1 | |
| 2 | 5SL-84753-00 | DAMPER | 3 | 3 | |
| 3 | 90269-06001 | RIVET | 3 | 3 | |
| 4 | 5PW-84745-01 | LICENCE LIGHT UNIT ASSY | 1 | 1 | |
| 5 | 4HC-84744-00 | .BULB (12V-5W) | 1 | 1 | |
| 6 | 97706-04012 | .SCREW, TAPPING | 2 | 2 | |
| | | | | | |
| | | | | | |
| | | | | | |
| | | | | | |
| | | | | | |
| | | | | | |
| | | | | | |
| | | | | | |
| | | | | | |

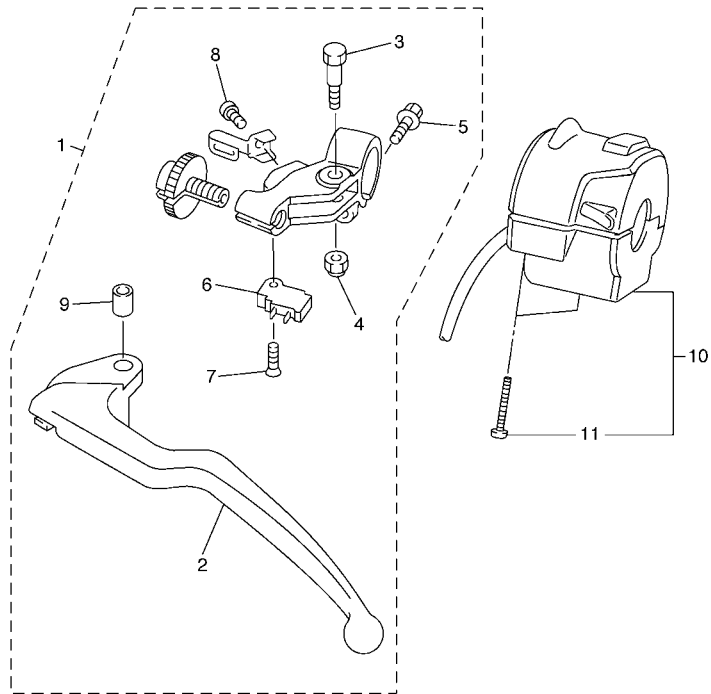
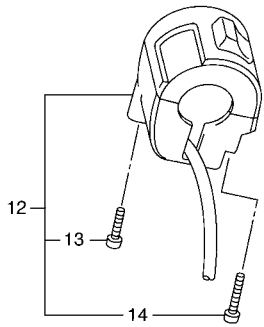
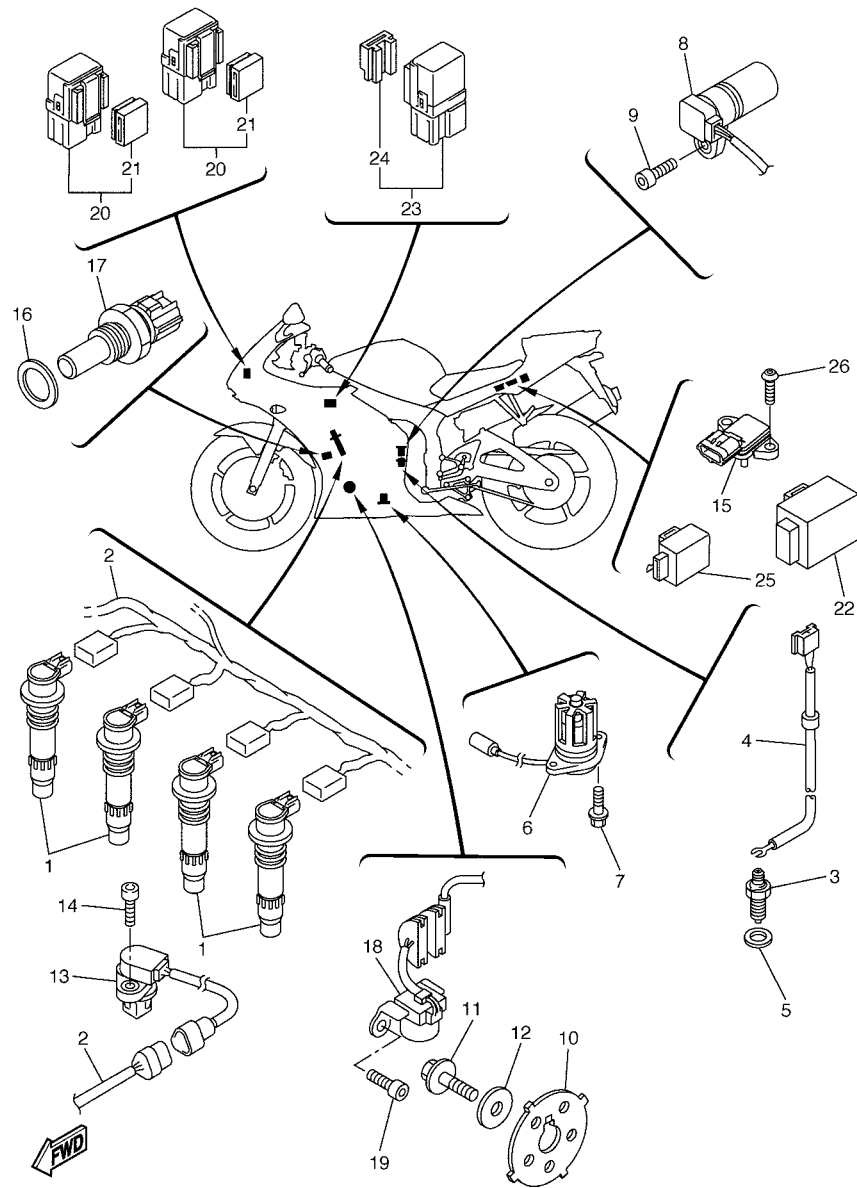


FIG. 45 HANDLE SWITCH & LEVER

| REF. NO. | PART NO. | DESCRIPTION | 5SLV | 5SLX | REMARKS |
|----------|--------------|--------------------------|------|------|---------|
| 1 | 5EB-82910-04 | LEVER HOLDER ASSY (LEFT) | 1 | 1 | |
| 2 | 5EB-83912-02 | .LEVER 1 | 1 | 1 | |
| 3 | 4XV-83945-00 | .BOLT, LEVER | 1 | 1 | |
| 4 | 95607-06100 | .NUT, U | 1 | 1 | |
| 5 | 95027-06020 | .BOLT, FLANGE | 1 | 1 | |
| 6 | 4XV-82917-01 | .SWITCH | 1 | 1 | |
| 7 | 98707-03016 | .SCREW, FLAT HEAD | 1 | 1 | |
| 8 | 98507-04010 | .SCREW, PAN HEAD | 1 | 1 | |
| 9 | 5JJ-83913-00 | .COLLAR, LEVER 1 | 1 | 1 | |
| 10 | 5SL-83969-02 | SWITCH, HANDLE 5 | 1 | 1 | |
| 11 | 98507-05035 | .SCREW, PAN HEAD | 2 | 2 | |
| 12 | 5SL-83975-01 | SWITCH, HANDLE 2 | 1 | 1 | |
| 13 | 98507-05025 | .SCREW, PAN HEAD | 1 | 1 | |
| 14 | 98507-05030 | .SCREW, PAN HEAD | 1 | 1 | |



5SL1300-B450



5SLB300-C460

FIG. 46 ELECTRICAL 1

| REF. NO. | PART NO. | DESCRIPTION | 5SLV | 5SLX | REMARKS |
|----------|--------------|---------------------------|------|------|---------|
| 1 | 5SL-82310-20 | IGNITION COIL ASSY | 4 | 4 | |
| 2 | 5SL-82309-12 | WIRE, SUB LEAD | 1 | 1 | |
| 3 | 3GB-82540-01 | NEUTRAL SWITCH ASSY | 1 | 1 | |
| 4 | 5SL-82541-00 | WIRE, LEAD | 1 | 1 | |
| 5 | 90430-10148 | GASKET | 1 | 1 | |
| 6 | 5SL-85720-01 | OIL LEVEL GAUGE ASSY | 1 | 1 | |
| 7 | 95027-06016 | BOLT, FLANGE | 2 | 2 | |
| 8 | 5EB-83755-01 | SENSOR, SPEED | 1 | 1 | |
| 9 | 91317-06016 | BOLT | 1 | 1 | |
| 10 | 5SL-81673-00 | ROTOR | 1 | 1 | |
| 11 | 90105-08386 | BOLT, FLANGE | 1 | 1 | |
| 12 | 90201-08753 | WASHER, PLATE | 1 | 1 | |
| 13 | 5PW-85896-01 | SENSOR, CAM POSITION | 1 | 1 | |
| 14 | 90110-06117 | BOLT, HEXAGON SOCKET HEAD | 1 | 1 | |
| 15 | 5VX-82380-00 | SENSOR, PRESSURE | 1 | 1 | |
| 16 | 90201-12790 | WASHER, PLATE | 1 | 1 | |
| 17 | 8CC-85790-01 | THERMOSENSOR ASSY | 1 | 1 | |
| 18 | 5SL-81670-00 | PICK-UP ASSY | 1 | 1 | |
| 19 | 90110-06125 | BOLT, HEXAGON SOCKET HEAD | 2 | 2 | |
| 20 | 5JJ-81950-20 | RELAY ASSY | 2 | 2 | |
| 21 | 5JJ-81952-00 | .HOLDER, RELAY | 1 | 1 | |
| 22 | 5VK-81950-40 | RELAY ASSY | 1 | 1 | |
| 23 | 5EA-81950-20 | RELAY ASSY | 1 | 1 | |
| 24 | 5EA-81952-00 | .HOLDER, RELAY | 1 | 1 | |
| 25 | 4GY-83350-00 | FLASHER RELAY ASSY | 1 | 1 | |
| 26 | 92017-05016 | BOLT, BUTTON HEAD | 1 | 1 | |

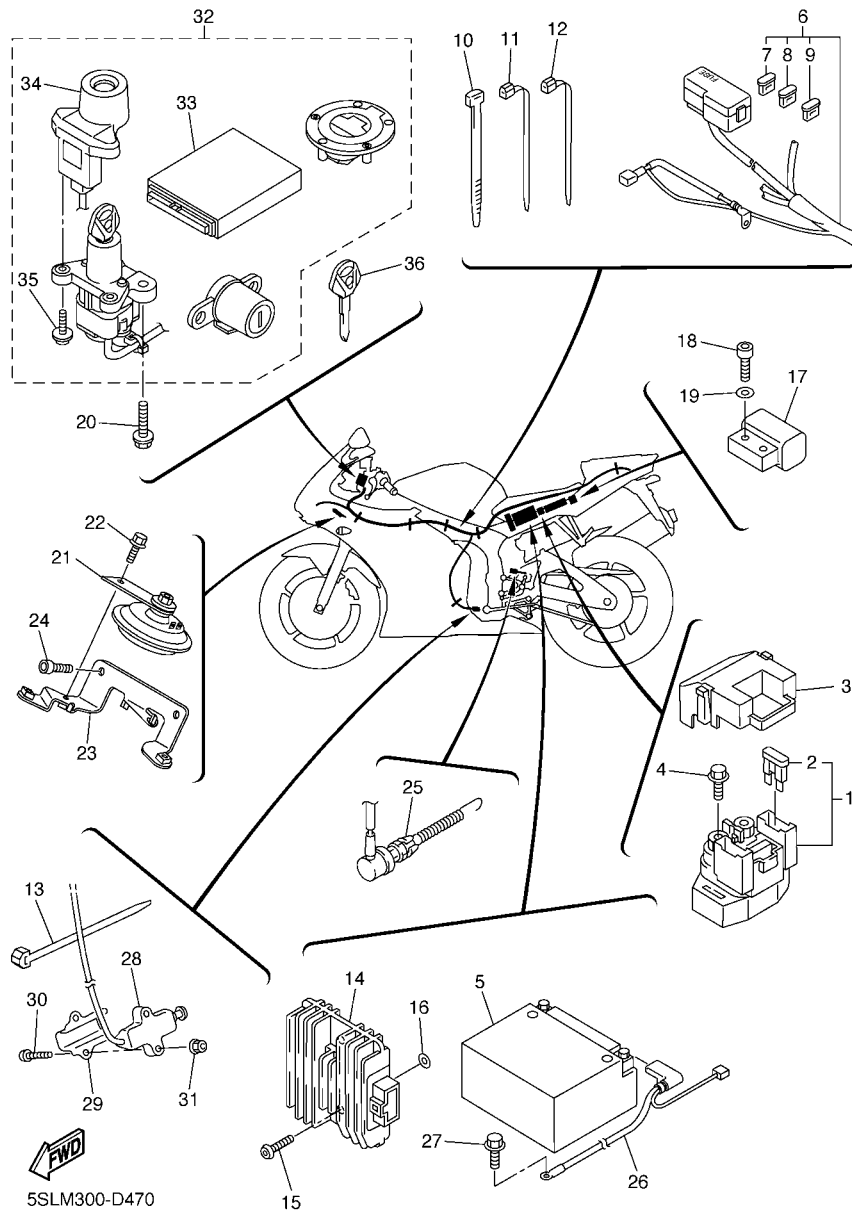


FIG. 47 ELECTRICAL 2

| REF. NO. | PART NO. | DESCRIPTION | 5SLV | 5SLX | REMARKS |
|----------|--------------|----------------------------|------|------|---------|
| 1 | 5SL-81940-12 | STARTER RELAY ASSY | 1 | 1 | |
| 2 | 5EA-82151-00 | .FUSE (40A-BL) | 2 | 2 | |
| 3 | 5SL-82119-10 | COVER, LEAD WIRE | 1 | 1 | |
| 4 | 95027-06008 | BOLT, FLANGE | 2 | 2 | |
| 5 | 5FL-82100-01 | BATTERY ASSY (GT9B-4) | 1 | 1 | |
| 6 | 5SL-82590-40 | WIRE HARNESS ASSY | 1 | 1 | |
| 7 | 5JJ-82151-10 | .FUSE (15A-BL) | 7 | 7 | |
| 8 | 5JJ-82151-20 | .FUSE (20A-BL) | 2 | 2 | |
| 9 | 5JJ-82151-30 | .FUSE (10A-BL) | 3 | 3 | |
| 10 | 90464-15195 | CLAMP | 1 | 1 | |
| 11 | 3MA-82591-00 | BAND | 2 | 2 | |
| 12 | 90464-13077 | CLAMP | 1 | 1 | |
| 13 | 90464-13073 | CLAMP | 1 | 1 | |
| 14 | 5SL-81960-00 | RECTIFIER & REGULATOR ASSY | 1 | 1 | |
| 15 | 92017-06025 | BOLT, BUTTON HEAD | 2 | 2 | |
| 16 | 90202-06001 | WASHER, PLATE | 2 | 2 | |
| 17 | 5PS-82576-01 | EMERGENCY STOP SWITCH ASSY | 1 | 1 | |
| 18 | 91317-04025 | BOLT | 2 | 2 | |
| 19 | 90201-042E0 | WASHER, PLATE | 2 | 2 | |
| 20 | 90109-080G5 | BOLT | 2 | 2 | |
| 21 | 4TH-83371-00 | HORN | 1 | 1 | |
| 22 | 95807-06010 | BOLT, FLANGE | 1 | 1 | |
| 23 | 5SL-23377-10 | BRACKET, HORN | 1 | 1 | |
| 24 | 91317-06012 | BOLT | 2 | 2 | |
| 25 | 5SL-82530-00 | STOP SWITCH ASSY | 1 | 1 | |
| 26 | 5SL-82116-01 | WIRE, MINUS LEAD | 1 | 1 | |
| 27 | 91380-06012 | BOLT | 1 | 1 | |

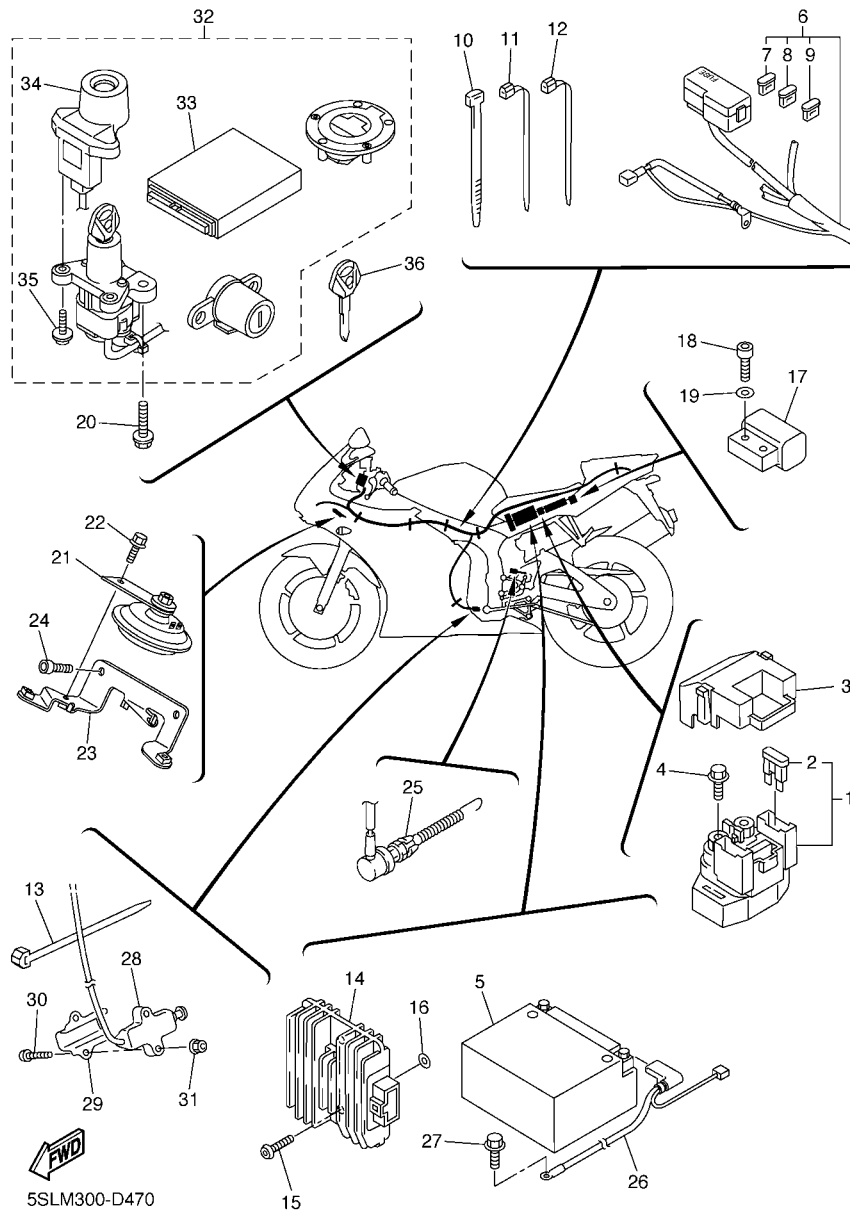


FIG. 47 ELECTRICAL 2

| REF. NO. | PART NO. | DESCRIPTION | 5SLV | 5SLX | REMARKS |
|----------|--------------|---------------------------|------|------|---------|
| 28 | 5PX-82566-71 | SWITCH, SIDE STAND | 1 | 1 | |
| 29 | 5JJ-82388-00 | PLATE | 1 | 1 | |
| 30 | 92017-05030 | BOLT, BUTTON HEAD | 2 | 2 | |
| 31 | 95607-05200 | NUT, U FLANGE | 2 | 2 | |
| 32 | 5SL-W8250-A0 | MAIN SW. IMMOBILIZER KIT | 1 | 1 | |
| 33 | 5SL-8591A-A0 | .ENGINE CONTROL UNIT ASSY | 1 | 1 | |
| 34 | 5SL-8255P-00 | .IMMOBILIZER. UNIT COMP. | 1 | 1 | |
| 35 | 5SL-82113-00 | .SCREW | 2 | 2 | |
| 36 | 5SL-82511-08 | BLANK KEY | 1 | 1 | AP |

NUMERICAL INDEX

| PART NO. | GRID NO. | PART NO. | GRID NO. | PART NO. | GRID NO. | PART NO. | GRID NO. | PART NO. | GRID NO. | PART NO. | GRID NO. |
|--------------|----------|--------------|----------|--------------|----------|--------------|----------|--------------|----------|-----------------|----------|
| 5SL-11101-10 | B - 2 | 1HX-12168-U1 | B - 4 | 5SL-12578-00 | B - 8 | 5PW-14251-00 | B - 15 | 5SL-15416-00 | C - 6 | 5SL-18127-00 | C - 14 |
| 4KG-1111G-00 | B - 2 | 1HX-12168-W1 | B - 4 | 4NK-12579-00 | B - 7 | 5SL-14348-00 | B - 14 | 5SL-15418-00 | C - 6 | 5SL-18140-00 | C - 14 |
| 5EB-11133-10 | B - 2 | 1HX-12168-Y1 | B - 4 | 5SL-12579-10 | B - 8 | 5FL-14348-10 | B - 15 | 5SL-15421-00 | C - 6 | 2H9-18154-00 | C - 14 |
| 5SL-11165-00 | C - 4 | 1HX-12169-11 | B - 4 | 5EB-12581-00 | B - 7 | 5PW-14349-00 | B - 15 | 5SL-15425-00 | C - 6 | 4XV-18154-00 | C - 14 |
| 5SL-11181-00 | B - 2 | 1HX-12169-31 | B - 4 | 5SL-12582-10 | B - 8 | 5SL-14349-00 | B - 14 | 5EB-15441-00 | C - 7 | 5SL-18511-00 | C - 13 |
| 5SL-11191-01 | B - 2 | 1HX-12169-50 | B - 5 | 5SL-12588-01 | B - 7 | 5PW-14396-00 | B - 15 | 5VX-15451-00 | C - 6 | 5MT-18512-00 | C - 13 |
| 5SL-11193-00 | B - 2 | 1HX-12169-70 | B - 5 | 5SL-12589-01 | B - 9 | 5SL-14411-00 | B - 12 | 5SL-15456-00 | C - 6 | 5EB-18513-00 | C - 13 |
| 214-11198-01 | B - 11 | 1HX-12169-90 | B - 5 | 5SL-12659-00 | B - 8 | 5SL-14413-00 | B - 15 | 5SL-15461-00 | C - 6 | 4XV-18531-00 | C - 13 |
| 5SL-11411-00 | B - 3 | 1HX-12169-E0 | B - 5 | 5EB-12668-00 | B - 8 | 5EB-1441F-01 | B - 12 | 5SL-15462-00 | C - 4 | 5EB-18536-00 | C - 13 |
| 5EB-11416-00 | B - 3 | 1HX-12169-G0 | B - 5 | 5GJ-12675-00 | B - 8 | 5SL-14421-00 | B - 12 | 5SL-15463-00 | C - 7 | 5SL-18540-00 | C - 13 |
| 5EB-11416-10 | B - 3 | 1HX-12169-J0 | B - 5 | 5SL-12682-10 | B - 13 | 5CA-14435-00 | B - 12 | 5SL-15484-00 | F - 4 | 136-18542-00 | C - 13 |
| 5EB-11416-20 | B - 3 | 1HX-12169-L0 | B - 5 | 5EB-12822-00 | B - 11 | 5SL-14450-00 | B - 12 | 5SL-15512-00 | C - 8 | 5SL-21110-01 | C - 15 |
| 5EB-11416-30 | B - 3 | 1HX-12169-N0 | B - 5 | 5EB-13161-00 | B - 10 | 5EB-14452-00 | B - 12 | 5MT-15515-00 | C - 8 | 5SL-21110-11 | C - 15 |
| 5EB-11416-A0 | B - 3 | 1HX-12169-T0 | B - 5 | 5EB-1316E-00 | B - 10 | 5SL-14453-10 | B - 12 | 5MT-2117M-10 | C - 8 | 5SL-2117M-10 | D - 2 |
| 5SL-11603-00 | B - 3 | 5SL-12170-00 | B - 6 | 5MT-13300-00 | B - 10 | 5EB-14457-00 | B - 12 | 5SL-15590-00 | C - 8 | 5SL-2117V-00 | C - 15 |
| 5SL-11631-00 | B - 3 | 5EB-12176-00 | B - 6 | 5SL-13410-00 | B - 10 | 5EB-14462-00 | B - 12 | 5SL-16150-10 | C - 9 | 5SL-2117W-00 | C - 15 |
| 5SL-11633-00 | B - 3 | 5SL-12180-00 | B - 6 | 5SL-13414-00 | B - 11 | 5SL-14469-10 | B - 12 | 5EB-16154-00 | C - 9 | 5SL-21190-00 | C - 15 |
| 5SL-11650-00 | B - 3 | 5SL-12210-10 | B - 6 | 5EB-13415-00 | B - 10 | 5EB-1446F-00 | E - 15 | 1AE-16164-00 | C - 9 | 5SL-21208-00 | D - 2 |
| 5SL-11654-00 | B - 3 | 4FM-12213-00 | B - 6 | 5JW-13416-00 | B - 10 | 5SL-14477-00 | B - 12 | 4FN-16321-00 | C - 9 | 5SL-21268-00 | D - 2 |
| 5SL-11656-00 | B - 3 | 5SL-12214-00 | B - 6 | 5SL-13417-00 | B - 11 | 5SL-14479-10 | B - 12 | 5SL-16321-00 | C - 9 | 5SL-21283-00 | C - 15 |
| 5SL-11656-10 | B - 3 | 5EL-12228-00 | B - 6 | 5EB-13418-00 | C - 4 | 5JW-14589-00 | B - 14 | 168-16324-00 | C - 9 | 3YX-21376-00 | D - 3 |
| 5SL-11656-20 | B - 3 | 5BE-12241-00 | B - 2 | 5GH-13440-00 | B - 11 | 5SL-14602-01 | C - 3 | 3J2-16324-00 | C - 9 | 5JW-2139X-00 | D - 3 |
| 5SL-11656-30 | B - 3 | 5EB-12251-00 | B - 6 | 5EB-13470-00 | B - 11 | 3YF-14613-01 | C - 3 | 5SL-16340-00 | C - 9 | 5SL-2139X-00 | D - 2 |
| 5SL-12111-10 | B - 4 | 5JW-12252-10 | B - 6 | 5JW-13473-00 | B - 11 | 5SL-14710-20 | C - 3 | 132-16346-00 | C - 14 | 5YU-2143A-00 | D - 2 |
| 5SL-12113-00 | B - 4 | 5VY-12277-00 | D - 10 | 5EB-13475-00 | B - 11 | 5SL-14714-00 | C - 3 | 5EB-16351-01 | C - 9 | 5SL-21446-10 | C - 3 |
| 5SL-12114-00 | B - 4 | 5SL-12405-10 | B - 8 | 3KS-13490-00 | B - 11 | 5SL-14715-00 | C - 3 | 5EB-16356-01 | C - 9 | 5SL-2144G-00 | E - 12 |
| 5SL-12116-00 | B - 4 | 5SL-12405-20 | B - 8 | 68V-13533-00 | B - 15 | 5EB-14733-00 | D - 4 | 5SL-16371-00 | C - 9 | 5SL-21486-00 | C - 15 |
| 5EB-12117-00 | B - 4 | 5SL-12410-00 | B - 8 | 5SL-13556-00 | B - 14 | 5SL-1482K-00 | B - 2 | 5EB-16382-00 | C - 9 | 5SL-21488-00 | C - 15 |
| 1HX-12118-00 | B - 4 | 5EB-12413-00 | B - 8 | 4TV-13575-00 | E - 15 | 5SL-14834-10 | C - 2 | 5SL-17121-00 | C - 11 | 5EB-21495-00 | D - 2 |
| 4TV-12119-00 | B - 4 | 5EB-12421-00 | B - 7 | 5SL-13586-10 | B - 12 | 5SL-14840-00 | C - 2 | 5SL-17131-20 | C - 11 | 5SL-21578-00 | D - 3 |
| 5SL-12121-10 | B - 4 | 5SL-12422-00 | B - 7 | 5SL-13596-10 | B - 12 | 5SL-14881-00 | C - 2 | 5SL-17151-20 | C - 11 | 5SL-21611-00-0X | D - 4 |
| 5EB-12124-01 | B - 4 | 11H-12438-10 | B - 7 | 5SL-13750-30 | B - 14 | 5SL-14882-00 | C - 2 | 5SL-17161-00 | C - 11 | 5PW-2161G-00 | D - 4 |
| 5EB-12126-00 | B - 4 | 5EB-12439-00 | B - 7 | 5SL-13761-00 | B - 14 | 5SL-14890-00 | B - 2 | 5SL-17211-00 | C - 12 | 5SL-21621-00 | D - 4 |
| 5EB-12127-00 | B - 4 | 5SL-1243A-00 | B - 9 | 5EB-13898-00 | B - 10 | 5SL-14899-00 | B - 2 | 5SL-17221-10 | C - 11 | 5SL-21629-01 | D - 4 |
| 5EB-12153-09 | B - 5 | 5SL-1243E-00 | B - 9 | 5SL-13906-10 | B - 14 | 4SV-14933-00 | B - 14 | 5SL-17231-00 | C - 12 | 5SL-21629-21 | D - 4 |
| 5EB-12153-20 | B - 5 | 5SL-1244E-10 | B - 8 | 5PW-13907-01 | D - 12 | 5SL-14987-00 | B - 14 | 5SL-17241-00 | C - 11 | 36Y-21639-00 | D - 2 |
| 5EB-12153-30 | B - 5 | 5SL-1244G-00 | B - 9 | 5SL-13971-00 | B - 15 | 5SL-15100-01 | C - 4 | 5SL-17251-00 | C - 12 | 5SL-21639-00 | D - 7 |
| 1HX-12168-00 | B - 4 | 5EB-12450-00 | B - 7 | 5SL-13972-00 | B - 15 | 11H-15138-00 | B - 2 | 5SL-17261-10 | C - 11 | 5SL-21646-00 | D - 3 |
| 1HX-12168-20 | B - 4 | 5SL-12461-10 | B - 8 | 5SL-14103-00 | B - 14 | 5EB-15155-00 | C - 4 | 5SL-17411-00 | C - 11 | 5SL-21647-00 | D - 3 |
| 1HX-12168-40 | B - 4 | 5SL-12462-00 | B - 8 | 5JW-14104-00 | B - 14 | 5EB-15163-01 | C - 11 | 5SL-17421-00 | C - 11 | 4XY-21649-00 | E - 14 |
| 1HX-12168-60 | B - 4 | 5EB-12469-00 | B - 7 | 5PW-1410F-00 | B - 15 | 36Y-15189-00 | C - 4 | 278-17424-01 | C - 12 | 5SL-21649-00 | C - 15 |
| 1HX-12168-80 | B - 4 | 5GV-1246A-00 | B - 7 | 5PW-14112-00 | B - 15 | 5SL-15189-00 | C - 4 | 5SL-17460-00 | C - 12 | | |
| 1HX-12168-A0 | B - 4 | 5GV-1246E-00 | B - 7 | 5JW-14118-00 | B - 14 | 3F9-15362-00 | C - 6 | 5SL-18101-00 | C - 14 | 5SL-21650-00 | D - 7 |
| 1HX-12168-F0 | B - 4 | | B - 8 | 3H1-14147-00 | B - 14 | 5EB-15362-00 | C - 5 | 5EB-18110-10 | C - 14 | 5SL-21669-00 | D - 4 |
| 1HX-12168-H1 | B - 4 | 5Y9-12491-00 | C - 2 | 5FL-14147-00 | B - 14 | 5SL-15373-00 | B - 12 | 5EB-18112-01 | C - 14 | 5SL-21688-00 | D - 4 |
| 1HX-12168-K1 | B - 4 | | E - 13 | 5SL-14148-00 | B - 14 | 5SL-15377-00 | C - 5 | 5EB-18113-00 | C - 14 | 5SL-21689-00 | D - 4 |
| 1HX-12168-M1 | B - 4 | 5SL-12551-10 | B - 8 | 4KM-14216-00 | B - 14 | 5SL-15411-00 | C - 6 | 5SL-18115-00 | C - 14 | 5SL-2172E-00 | D - 5 |
| 1HX-12168-R1 | B - 4 | 5EB-12577-01 | B - 7 | 8CC-14216-10 | B - 14 | 5VX-15413-01 | C - 4 | 5LV-18116-00 | C - 14 | 5SL-2172W-00 | D - 5 |

NUMERICAL INDEX

| PART NO. | GRID NO. | PART NO. | GRID NO. | PART NO. | GRID NO. | PART NO. | GRID NO. | PART NO. | GRID NO. | PART NO. | GRID NO. |
|--------------|----------|-----------------|----------|--------------|----------|--------------|----------|--------------|----------|--------------|----------|
| 5MT-2172X-00 | D - 3 | 5SL-23818-10 | D - 9 | 5SL-25383-00 | E - 3 | 5SL-25919-00 | E - 5 | 5SL-28356-00 | E - 14 | 5JJ-81952-00 | F - 11 |
| 5SL-21746-00 | D - 5 | 5SL-24129-00 | D - 12 | 5SL-25388-00 | E - 3 | 5SL-25921-00 | E - 5 | 5EB-2836A-00 | B - 11 | 5SL-81960-00 | F - 12 |
| 5PW-2174X-00 | D - 5 | 5SL-24139-00 | D - 13 | 5SL-25389-00 | E - 3 | 4SV-25924-00 | E - 2 | 5EB-2836E-00 | B - 11 | 5FL-82100-01 | F - 12 |
| 5SL-21781-00 | D - 5 | 5SL-2413B-00 | D - 12 | 5MT-25398-00 | D - 15 | 8CR-25924-00 | E - 5 | 5SL-2836K-00 | F - 2 | 5SL-82113-00 | F - 12 |
| 5SL-21790-00 | D - 5 | 5SL-2414H-00 | D - 13 | | E - 3 | 3GM-25925-00 | E - 2 | 5SL-2836L-00 | F - 2 | 5SL-82116-01 | F - 13 |
| 26H-21828-00 | D - 5 | 5SL-2414J-00 | D - 13 | 5MT-25398-10 | D - 15 | 5SL-25926-00 | E - 5 | 5SL-2836M-10 | F - 3 | 5SL-82119-10 | F - 12 |
| 5SL-21871-00 | D - 5 | 5SL-2414K-00 | D - 13 | | E - 3 | 5VY-25975-00 | E - 7 | 5SL-2836T-00 | F - 2 | 5SL-8212B-01 | D - 3 |
| 4NK-21875-00 | D - 5 | 5SL-24182-00 | D - 12 | 5MT-25398-20 | D - 15 | 5SL-26121-10 | E - 6 | 5SL-2836U-00 | F - 2 | 5JJ-82131-00 | D - 4 |
| 5SL-22110-01 | D - 6 | 5SL-24183-00 | D - 12 | | E - 3 | 5SL-26122-10 | E - 6 | 5SL-28371-00 | E - 15 | 5EA-82151-00 | F - 12 |
| 5PW-22125-00 | D - 7 | 5SL-24191-00 | D - 12 | 5SL-25448-20 | E - 3 | 5SL-26240-01 | E - 6 | 5SL-2837J-00 | F - 2 | 5JJ-82151-10 | F - 12 |
| 5JJ-22128-00 | D - 6 | 5PW-24192-00 | D - 12 | 5SL-2580T-10 | E - 2 | 4YR-26241-02 | E - 6 | 5SL-2837K-00 | F - 3 | 5JJ-82151-20 | F - 12 |
| 4FN-22141-00 | D - 7 | 5SL-24231-01 | D - 12 | 5SL-2580U-10 | E - 2 | 5EB-26246-00 | E - 6 | 5SL-2837L-01 | E - 14 | 5JJ-82151-30 | F - 12 |
| 5SL-22151-00 | D - 6 | 5SL-24240-70 | D - 12 | 5SL-2580W-00 | E - 5 | 5SL-26280-00 | E - 15 | 5SL-2837M-01 | E - 14 | 5SL-82309-12 | F - 11 |
| 5SL-2217A-10 | D - 6 | 68V-24376-00 | B - 15 | 5SL-2581T-10 | E - 2 | 5SL-26290-00 | E - 15 | 5SL-2837N-00 | F - 8 | 5SL-82310-20 | F - 11 |
| 5SL-2217M-10 | D - 6 | 5SL-24411-00 | B - 14 | 5SL-25827-00 | E - 5 | 5SL-26292-10 | E - 7 | 5SL-2838E-00 | E - 15 | 5JW-82380-00 | B - 14 |
| 5EB-22184-00 | D - 6 | 5JW-24486-00 | D - 12 | 5SL-25827-10 | E - 5 | 5SL-26298-00 | E - 15 | 5SL-2838G-00 | F - 3 | 5VX-82380-00 | F - 11 |
| 5SL-22187-00 | E - 9 | 5SL-24491-10 | D - 12 | 5SL-25828-00 | E - 5 | 5SL-26311-00 | E - 6 | 5SL-2838R-00 | E - 15 | 5SL-82386-00 | B - 15 |
| 5SL-2219X-00 | D - 6 | 3LN-24515-00 | B - 14 | 5SL-2582A-00 | E - 12 | 5SL-26312-00 | E - 6 | 5SL-2838T-00 | E - 15 | 5JJ-82388-00 | F - 13 |
| 5SL-22210-30 | D - 8 | 5JJ-24602-00 | D - 12 | 5SL-2582W-00 | E - 5 | 5VS-26332-00 | E - 7 | 5SL-2839F-00 | F - 2 | 5SL-82511-08 | F - 13 |
| 5SL-22219-00 | D - 8 | 5SL-2470F-00 | D - 14 | 5SL-25838-00 | E - 5 | 5SL-26335-20 | E - 6 | 5SL-2839G-00 | F - 2 | 5SL-82530-00 | F - 12 |
| 5SL-22311-00 | D - 6 | 5SL-24710-00 | D - 14 | 5VY-2583B-00 | E - 2 | 5SL-27211-00 | E - 12 | 5SL-2839H-00 | E - 14 | 3GB-82540-01 | F - 11 |
| 5SL-22381-00 | D - 6 | 5SL-24720-00 | D - 14 | 5SL-2583V-00 | E - 12 | 5SL-27222-00 | E - 12 | 5SL-2839J-00 | F - 2 | 5SL-82541-00 | F - 11 |
| 5SL-22906-00 | D - 12 | 3KJ-24723-00 | C - 15 | 5SL-25852-00 | E - 12 | 5SL-27311-10 | E - 9 | 5SL-283A4-00 | F - 3 | 5SL-8255P-00 | F - 13 |
| 5SL-23102-20 | D - 10 | | D - 3 | 5VY-25852-00 | E - 7 | 5JJ-27315-00 | E - 9 | 5SL-283B1-00 | F - 3 | 5PX-82566-71 | F - 13 |
| 5SL-23103-20 | D - 10 | 5SL-24723-00 | D - 14 | 5SL-25854-00 | E - 12 | 5SL-27321-00 | E - 9 | 5SL-283B2-00 | F - 2 | 5PS-82576-01 | F - 12 |
| 5SL-23110-20 | D - 10 | 5SL-24724-00 | D - 14 | 5VY-25854-00 | E - 7 | 4NX-27351-00 | E - 9 | 5SL-28415-00 | C - 15 | 5SL-8258J-00 | D - 2 |
| 5SL-23111-21 | D - 10 | 5SL-24750-00 | D - 14 | 5SL-25855-00 | E - 12 | 5PW-27352-00 | E - 9 | 5SL-28416-00 | E - 14 | 5SL-82590-40 | F - 12 |
| 5VY-23118-00 | D - 10 | 5SL-24751-00 | D - 14 | 5VY-25855-00 | E - 7 | 5JJ-27411-01 | E - 10 | 5SL-28428-00 | E - 14 | 3MA-82591-00 | E - 7 |
| 5SL-23120-20 | D - 10 | 5SL-24758-00 | D - 14 | 4BP-2585F-00 | E - 12 | 1HX-27415-00 | F - 3 | 5SL-28429-00 | E - 14 | | F - 12 |
| 5SL-23136-21 | D - 10 | 5SL-24780-00 | D - 14 | 5VS-2585H-00 | E - 7 | 5SL-27424-00 | E - 11 | 5SL-2843J-00 | F - 2 | 5SL-8259J-00 | D - 2 |
| 5SL-23141-20 | D - 10 | 5SL-24792-00 | D - 14 | 5VS-25867-00 | E - 7 | 5SL-27430-00 | E - 10 | 5SL-2844J-00 | F - 3 | 5EB-82910-04 | F - 10 |
| 4EB-23144-00 | D - 10 | 5SL-2479R-00 | D - 14 | 5VS-2586F-00 | E - 7 | 4BP-27434-01 | E - 9 | 5SL-2848K-00 | F - 3 | 4XV-82917-01 | F - 10 |
| 4XV-23145-00 | D - 10 | 5SL-24858-00 | D - 14 | 5SL-25872-10 | E - 7 | 5JJ-27437-00 | E - 10 | 5SL-81410-00 | F - 4 | 5PW-83310-01 | F - 6 |
| 5JJ-23146-00 | D - 10 | 4XV-25117-00 | D - 15 | 5SL-25874-00 | E - 12 | 5SL-27440-00 | E - 10 | 5SL-81450-01 | F - 4 | 1KH-83311-00 | F - 6 |
| 3XJ-23147-L0 | D - 10 | 4XV-25118-00 | D - 15 | 5SL-25886-10 | E - 7 | 5SL-27442-00 | E - 9 | 5SL-81670-00 | F - 11 | 5PW-83318-00 | F - 6 |
| 26H-23156-00 | D - 10 | 5SL-25168-00-1X | D - 15 | 5SL-25887-10 | E - 7 | 5SL-27443-00 | E - 10 | 5SL-81673-00 | F - 11 | 5PW-83320-01 | F - 6 |
| 509-23158-L0 | D - 10 | 5PW-25181-00 | D - 15 | 5SL-25894-00 | E - 12 | 5SL-27445-00 | E - 9 | 4WP-81801-00 | F - 5 | 5PW-83330-00 | F - 6 |
| 5SL-23170-20 | D - 10 | 4XV-25186-00 | D - 15 | 5SL-25894-20 | E - 7 | 5SL-27446-00 | E - 10 | 4WP-81826-00 | F - 5 | 5PW-8333A-00 | F - 6 |
| 5UX-23181-00 | D - 10 | 5PW-25188-00 | D - 15 | 5SL-25895-00 | E - 12 | 5SL-27451-00 | E - 9 | 4XV-8182A-00 | F - 5 | 5PW-83340-00 | F - 6 |
| 5SL-23340-20 | D - 11 | 4XV-25317-00 | E - 3 | 5SL-25895-20 | E - 7 | 5SL-27461-00 | E - 10 | 5SL-8183G-00 | F - 5 | 5PW-8334A-00 | F - 6 |
| 3LC-23357-00 | D - 10 | 5SL-25327-00 | E - 3 | 5VY-2589F-01 | E - 7 | 5SL-28100-00 | D - 4 | 4WP-81844-00 | F - 5 | 4GY-83350-00 | F - 11 |
| 5SL-23377-10 | F - 12 | 5SL-25338-00-1X | E - 3 | 5VY-2589G-00 | E - 7 | 5SL-28308-00 | E - 14 | 5SL-81847-00 | F - 5 | 4TH-83371-00 | F - 12 |
| 4XV-23415-01 | D - 9 | 5SL-25364-00 | E - 3 | 5VY-2589H-00 | E - 7 | 5SL-28315-60 | E - 14 | 5EB-81890-00 | F - 5 | 4XV-83513-00 | E - 14 |
| 4XV-23418-00 | D - 9 | 5SL-25366-00 | E - 3 | 5SL-25914-00 | E - 5 | 5SL-2832C-00 | E - 14 | 5SL-81940-12 | F - 12 | 5PW-8352S-00 | F - 7 |
| 4XV-2341B-00 | D - 9 | 5SL-25367-00 | E - 3 | 5DH-25916-00 | E - 5 | 5SL-28338-00 | E - 14 | 5EA-81950-20 | F - 11 | 5PW-8353E-00 | F - 7 |
| 5SL-23435-20 | D - 9 | 4XV-25376-00 | E - 3 | 3JD-25917-00 | E - 5 | 1AE-2834E-00 | D - 3 | 5JJ-81950-20 | F - 11 | 5SL-83570-01 | F - 7 |
| 3FV-23462-00 | D - 11 | 5SL-25376-00 | E - 3 | 5SL-25917-00 | E - 5 | 5SL-2834E-00 | F - 2 | 5VK-81950-40 | F - 11 | 5SL-83570-11 | F - 7 |
| 2H9-23469-00 | E - 6 | 5SL-25381-00 | E - 4 | 4SV-25919-00 | E - 2 | 5SL-2834F-00 | F - 3 | 5EA-81952-00 | F - 11 | 5PW-83572-00 | F - 7 |

NUMERICAL INDEX

| PART NO. | GRID NO. | PART NO. | GRID NO. | PART NO. | GRID NO. | PART NO. | GRID NO. | PART NO. | GRID NO. | PART NO. | GRID NO. |
|-----------------|----------|-----------------|----------|-------------|----------|-------------|----------|-------------|----------|-------------|----------|
| 5EB-83755-01 | F - 11 | 5SL-Y2410-30-07 | D - 12 | 90110-06071 | C - 6 | 90160-05006 | F - 8 | 90201-13008 | E - 10 | 90387-06055 | D - 12 |
| 5EB-83912-02 | F - 10 | 5SL-Y2808-90-P0 | F - 2 | 90110-06079 | D - 12 | 90160-05007 | E - 14 | 90201-146F9 | E - 9 | 90387-06057 | E - 7 |
| 5JJ-83913-00 | F - 10 | 5SL-Y2809-90-0X | F - 3 | 90110-06102 | D - 6 | 90167-05078 | E - 14 | 90201-154E8 | C - 14 | | E - 15 |
| 5SL-83922-10 | E - 7 | 5SL-Y283G-01-0X | E - 14 | 90110-06117 | F - 11 | 90170-08358 | C - 14 | 90201-177G4 | C - 14 | | F - 2 |
| 4XV-83945-00 | F - 10 | 5SL-Y283U-J0-P4 | F - 2 | 90110-06118 | B - 2 | 90170-20008 | C - 9 | 90201-186M4 | D - 7 | 90387-062X0 | D - 6 |
| 5SL-83969-02 | F - 10 | 5SL-Y283V-J0-P6 | F - 2 | 90110-06125 | F - 11 | 90170-28419 | D - 9 | 90201-20278 | C - 12 | 90387-065G0 | D - 4 |
| 5SL-83975-01 | F - 10 | 5SL-Y2881-30 | E - 14 | 90110-06149 | B - 7 | 90176-06008 | E - 15 | 90201-255A6 | C - 9 | 90387-065J6 | B - 12 |
| 4HM-83980-00 | E - 7 | 90101-08662 | E - 9 | 90110-06258 | D - 14 | 90176-06055 | D - 3 | 90201-257R5 | E - 4 | | D - 3 |
| 5SL-84196-00 | F - 8 | 90101-08766 | E - 4 | 90110-08220 | E - 11 | 90179-05523 | E - 14 | 90201-281U8 | D - 9 | 90387-06681 | D - 6 |
| 5SL-84300-01 | F - 8 | 90105-06006 | C - 4 | 90110-10007 | C - 15 | 90179-07652 | B - 3 | 90202-05088 | E - 14 | 90387-06697 | E - 10 |
| 5SL-84300-11 | F - 8 | 90105-06020 | C - 2 | 90110-10008 | C - 15 | 90179-08410 | C - 3 | 90202-05180 | E - 15 | 90387-07391 | B - 8 |
| 5SL-84312-00 | F - 8 | 90105-06027 | B - 2 | 90111-05002 | D - 5 | 90179-10696 | C - 15 | | F - 2 | 90387-073M0 | E - 9 |
| 4SV-84314-00 | F - 8 | 90105-06040 | B - 8 | | F - 2 | 90179-18667 | C - 12 | 90202-06001 | F - 12 | 90387-07717 | D - 7 |
| 4SV-84347-00 | F - 8 | 90105-06053 | B - 7 | 90111-05003 | E - 15 | 90179-30691 | D - 9 | 90387-08020 | D - 14 | 90387-08020 | E - 11 |
| 5SL-84359-01 | F - 8 | 90105-07004 | B - 6 | | F - 2 | 90183-04039 | D - 3 | 90202-30235 | D - 9 | 90387-1012A | D - 6 |
| 5SL-84396-00 | F - 8 | 90105-08052 | E - 14 | 90111-05006 | C - 15 | 90183-05024 | E - 14 | 90206-12074 | C - 14 | | D - 8 |
| 5SL-84397-00 | F - 8 | 90105-08053 | E - 11 | 90111-06007 | D - 3 | | F - 2 | 90209-21332 | C - 11 | 90387-1013U | D - 7 |
| 1FK-84527-00 | E - 14 | 90105-08054 | C - 3 | 90111-06019 | C - 14 | 90183-05061 | E - 14 | 90209-21351 | C - 11 | 90387-2202V | C - 12 |
| 5SL-84710-00 | F - 9 | 90105-08386 | F - 11 | 90111-06030 | D - 3 | | F - 2 | 90209-22352 | C - 11 | 90387-2504A | C - 11 |
| 4HC-84744-00 | F - 9 | 90105-086A9 | C - 4 | 90111-06038 | D - 6 | 90183-05076 | D - 3 | 90209-25342 | C - 11 | 90387-2513E | C - 11 |
| 5PW-84745-01 | F - 9 | 90105-087A0 | C - 4 | 90111-06040 | F - 2 | | D - 5 | 90209-25349 | C - 11 | 90387-253M6 | C - 11 |
| 5SL-84753-00 | F - 9 | 90105-10017 | D - 6 | 90111-06041 | E - 8 | 90183-050A0 | D - 5 | 90209-25350 | C - 11 | 90387-2813C | C - 11 |
| 5SL-85110-00 | D - 4 | | D - 8 | 90111-06043 | D - 3 | | E - 7 | 90215-20004 | C - 9 | 90387-2813D | C - 11 |
| 3Y6-85130-02 | D - 4 | 90105-10018 | D - 7 | 90116-10485 | E - 3 | 90183-06053 | D - 3 | 90215-21290 | C - 12 | 90401-10012 | E - 2 |
| 5SL-85720-01 | F - 11 | 90105-10042 | C - 15 | 90119-05001 | E - 15 | 90185-10009 | E - 3 | 90240-08084 | E - 9 | 90401-10172 | E - 8 |
| 8CC-85790-01 | F - 11 | 90105-106A2 | D - 2 | 90119-06059 | D - 5 | 90185-18104 | D - 7 | 90243-08029 | E - 10 | | E - 12 |
| 5SL-85885-00 | B - 14 | 90105-126A8 | F - 4 | 90119-06062 | D - 12 | 90185-24165 | E - 4 | 90269-06001 | F - 9 | 90401-20145 | B - 11 |
| 5CA-85886-00 | B - 12 | 90105-14002 | D - 15 | 90119-06117 | D - 9 | 90201-04018 | D - 4 | 90269-06008 | E - 15 | 90430-06014 | B - 7 |
| 5PW-85896-01 | F - 11 | 90109-06013 | E - 12 | 90119-06172 | B - 13 | 90201-042E0 | F - 12 | | F - 2 | 90430-08119 | B - 2 |
| 5SL-8591A-A0 | F - 13 | 90109-06014 | C - 6 | 90119-06192 | E - 9 | 90201-05725 | D - 4 | | F - 8 | 90430-08143 | C - 6 |
| 5VY-W0041-00 | E - 7 | 90109-06015 | C - 6 | 90119-10003 | B - 2 | 90201-06008 | D - 14 | 90269-07007 | D - 2 | 90430-10148 | F - 11 |
| 5SL-W0042-50 | E - 12 | 90109-06031 | B - 10 | 90149-05244 | E - 7 | 90201-06042 | E - 10 | | F - 3 | 90445-08016 | B - 8 |
| 5SL-W0045-10 | E - 2 | | C - 6 | 90149-06018 | F - 4 | 90201-06071 | B - 8 | 90269-07010 | D - 5 | 90445-08376 | D - 5 |
| 5SL-W0046-00 | E - 5 | 90109-064G6 | E - 2 | 90149-06020 | C - 4 | 90201-06380 | E - 13 | 90269-07076 | D - 5 | 90445-11795 | B - 12 |
| 5PW-W0047-00 | E - 2 | 90109-065G3 | C - 4 | 90149-06031 | F - 4 | 90201-08034 | E - 11 | 90269-07077 | D - 4 | 90445-19002 | E - 9 |
| 5SL-W0047-00 | E - 5 | 90109-066F0 | B - 2 | 90149-06233 | E - 9 | 90201-081R9 | E - 9 | 90338-06018 | D - 3 | 90446-08001 | E - 12 |
| 5PW-W0047-10 | E - 2 | 90109-08018 | E - 9 | 90149-08003 | F - 4 | 90201-08326 | E - 9 | | D - 5 | 90446-15386 | E - 12 |
| 1J3-W0048-00 | E - 2 | 90109-08045 | E - 5 | 90149-08296 | E - 10 | 90201-086J0 | E - 6 | 90338-08174 | B - 12 | 90450-22017 | B - 7 |
| 1UY-W0048-00 | E - 5 | 90109-080G5 | F - 12 | 90149-10006 | C - 15 | 90201-08753 | F - 11 | 90338-08226 | D - 3 | | B - 9 |
| 5VY-W0048-00 | E - 7 | 90109-085G6 | E - 10 | 90149-10007 | C - 15 | 90201-087K3 | C - 4 | 90338-27007 | C - 15 | 90450-32001 | B - 7 |
| 5PW-W0057-00 | E - 2 | 90109-105G7 | E - 9 | 90150-04041 | D - 4 | 90201-10021 | E - 3 | 90340-14132 | B - 11 | | B - 9 |
| 5SL-W0057-00 | E - 5 | 90110-05014 | D - 12 | 90150-05024 | E - 14 | 90201-10118 | E - 8 | 90340-20090 | B - 2 | 90450-35001 | B - 7 |
| 5PW-W0057-10 | E - 2 | 90110-05112 | D - 12 | 90151-06008 | C - 11 | | E - 12 | 90340-32004 | C - 6 | | B - 8 |
| 5SL-W2470-00 | D - 14 | 90110-05201 | D - 5 | 90154-05012 | D - 12 | 90201-101J1 | E - 9 | 90387-050X4 | C - 15 | 90450-38040 | B - 7 |
| 5SL-W2587-00 | E - 7 | 90110-06018 | C - 13 | 90157-06077 | C - 6 | 90201-10614 | C - 9 | 90387-06009 | D - 6 | 90450-53002 | B - 12 |
| 5SL-W8250-A0 | F - 13 | 90110-06020 | B - 11 | 90159-06002 | C - 9 | 90201-12008 | F - 4 | 90387-06022 | D - 3 | 90450-63003 | B - 12 |
| 5PW-Y2151-10-0X | D - 3 | 90110-06041 | B - 10 | 90159-06056 | E - 12 | 90201-12013 | C - 14 | 90387-06023 | E - 13 | 90460-59211 | E - 15 |
| 5SL-Y2171-F0-0X | D - 5 | | C - 4 | 90160-05006 | F - 7 | 90201-12790 | F - 11 | 90387-06054 | D - 12 | 90461-10006 | C - 6 |

NUMERICAL INDEX

| PART NO. | GRID NO. | PART NO. | GRID NO. | PART NO. | GRID NO. | PART NO. | GRID NO. | PART NO. | GRID NO. | PART NO. | GRID NO. |
|-------------|----------|-------------|----------|-------------|----------|-------------|----------|-------------|----------|----------|----------|
| 90461-10009 | D - 12 | 90508-165B1 | C - 10 | 93106-28043 | D - 15 | 94591-49120 | B - 6 | 98507-05025 | B - 12 | | |
| 90464-07259 | D - 3 | 90508-18134 | E - 9 | 93106-40013 | E - 3 | 94681-55031 | E - 4 | | F - 10 | | |
| 90464-12036 | D - 2 | 90508-18135 | E - 10 | 93109-17071 | D - 6 | 94701-00402 | B - 2 | 98507-05030 | F - 10 | | |
| 90464-13073 | F - 12 | 90508-295B2 | C - 14 | | D - 8 | 95024-06020 | B - 7 | 98507-05035 | F - 10 | | |
| 90464-13077 | F - 12 | 90560-25270 | C - 9 | 93210-04092 | C - 4 | 95024-08035 | C - 3 | 98707-03016 | F - 10 | | |
| 90464-13249 | D - 3 | 91314-06025 | C - 4 | 93210-06667 | B - 10 | 95027-06008 | F - 12 | 98907-05008 | D - 12 | | |
| 90464-15157 | E - 6 | | C - 6 | 93210-09165 | B - 10 | 95027-06016 | F - 11 | 99001-07600 | C - 9 | | |
| 90464-15195 | D - 2 | 91314-06035 | E - 10 | | C - 5 | 95027-06020 | E - 8 | 99001-09600 | C - 9 | | |
| | E - 6 | 91314-08030 | D - 9 | 93210-14003 | B - 10 | | F - 10 | 99009-12400 | B - 7 | | |
| | F - 12 | | D - 11 | 93210-14579 | C - 4 | 95027-06040 | F - 5 | 99009-17400 | C - 14 | | |
| 90464-16005 | B - 15 | | E - 6 | 93210-15566 | B - 11 | 95027-08012 | B - 2 | 99241-00280 | F - 3 | | |
| 90464-16011 | D - 6 | 91314-08040 | D - 10 | 93210-16325 | C - 4 | 95304-06700 | C - 14 | 99530-08012 | B - 11 | | |
| 90464-16012 | D - 6 | 91317-04025 | F - 12 | 93210-27194 | C - 6 | 95307-08600 | E - 4 | | C - 6 | | |
| 90464-28002 | B - 9 | 91317-05010 | D - 12 | 93210-32172 | C - 6 | 95307-08700 | E - 12 | 99530-10014 | C - 4 | | |
| 90464-28003 | C - 2 | 91317-05012 | C - 15 | 93210-33133 | B - 7 | 95604-06200 | E - 10 | 99530-10114 | B - 2 | | |
| 90465-08395 | C - 6 | | D - 3 | 93210-47675 | B - 7 | 95604-08200 | E - 11 | 9Y581-55115 | E - 4 | | |
| 90465-10030 | B - 11 | 91317-05014 | E - 6 | 93306-00106 | B - 7 | 95607-04100 | D - 4 | | | | |
| 90465-14011 | C - 6 | 91317-06012 | E - 9 | 93306-00304 | C - 9 | 95607-05100 | D - 4 | | | | |
| 90467-010A0 | E - 12 | | F - 12 | 93306-00420 | D - 15 | 95607-05200 | F - 13 | | | | |
| 90467-08003 | D - 5 | 91317-06016 | F - 11 | 93306-20464 | C - 11 | 95607-06100 | F - 10 | | | | |
| 90467-08075 | B - 8 | 91317-06020 | B - 8 | 93306-20531 | E - 3 | 95607-06200 | D - 14 | | | | |
| 90467-10008 | D - 12 | | B - 12 | 93306-30525 | C - 11 | 95607-10200 | C - 15 | | | | |
| 90467-10041 | B - 12 | | E - 6 | 93306-30546 | C - 11 | | D - 6 | | | | |
| 90467-11090 | B - 9 | 91317-06025 | B - 6 | 93310-340N8 | C - 9 | | D - 8 | | | | |
| 90467-12003 | B - 15 | | B - 11 | 93315-31502 | C - 9 | | E - 9 | | | | |
| 90467-120A3 | E - 7 | 91317-06060 | B - 2 | 93315-31758 | D - 6 | 95607-14200 | D - 8 | | | | |
| 90467-14015 | C - 4 | 91380-06012 | F - 12 | | D - 8 | 95617-08625 | B - 2 | | | | |
| 90467-15001 | B - 14 | 91401-16012 | E - 12 | 93315-41762 | D - 6 | 95707-05500 | D - 4 | | | | |
| 90467-15012 | B - 14 | 91401-25015 | E - 9 | 93315-42536 | D - 6 | 95707-06500 | D - 3 | | | | |
| 90467-15054 | B - 12 | 91701-06018 | E - 12 | 93317-11020 | C - 9 | 95807-06010 | F - 12 | | | | |
| 90467-17128 | B - 13 | 91808-17032 | B - 10 | 93317-11287 | C - 14 | 95814-08045 | C - 3 | | | | |
| | C - 2 | 92014-08014 | C - 6 | 93317-42550 | D - 6 | 95817-06045 | C - 4 | | | | |
| 90467-180A0 | C - 2 | 92017-05016 | F - 11 | 93317-43580 | E - 3 | 95817-06055 | C - 4 | | | | |
| 90467-18172 | C - 2 | 92017-05030 | F - 13 | 93399-99932 | D - 11 | 95817-06065 | C - 4 | | | | |
| 90467-200A0 | B - 9 | 92017-06014 | D - 14 | 93399-99955 | D - 9 | 95817-06100 | C - 4 | | | | |
| 90480-12072 | D - 3 | 92017-06016 | D - 6 | 93420-61M07 | E - 3 | 95817-08065 | C - 4 | | | | |
| 90480-12314 | B - 12 | | E - 13 | 93440-10153 | B - 2 | 95824-06020 | C - 14 | | | | |
| 90480-12607 | E - 13 | 92017-06020 | D - 4 | 93440-25186 | C - 11 | 95827-06012 | B - 8 | | | | |
| 90480-13398 | C - 15 | 92017-06025 | D - 14 | 93440-28062 | C - 11 | 95827-06090 | D - 12 | | | | |
| 90480-14003 | F - 2 | | F - 12 | 93450-17129 | B - 3 | 97706-04012 | F - 6 | | | | |
| 90480-15363 | B - 8 | 92907-05100 | B - 14 | 93501-04011 | E - 10 | | F - 9 | | | | |
| 90480-15483 | D - 12 | 92907-05600 | B - 14 | 93607-44190 | B - 6 | 97707-50016 | E - 14 | | | | |
| 90501-064L1 | C - 13 | 92907-06200 | E - 12 | 93608-17263 | C - 6 | | F - 3 | | | | |
| 90501-12743 | E - 10 | 92907-08600 | C - 9 | 93900-00030 | D - 15 | 97707-50120 | B - 12 | | | | |
| 90501-237L0 | C - 9 | 93101-12004 | C - 14 | | E - 3 | 97707-60020 | D - 3 | | | | |
| 90506-14003 | C - 14 | 93101-12173 | B - 7 | 94112-17079 | D - 15 | 98507-04010 | F - 10 | | | | |
| 90506-18008 | E - 9 | 93102-15212 | C - 9 | 94118-17061 | E - 3 | 98507-05008 | B - 14 | | | | |
| 90506-20193 | E - 12 | 93102-35423 | C - 12 | 94580-25080 | B - 10 | 98507-05016 | B - 14 | | | | |