

**YAMAHA**

**GENUINE**

**PARTS CATALOGUE**

**MOTORCYCLE**

# FOREWORD

## -INTRODUCTION- To The Yamaha Parts Fiche

This parts fiche lists parts and sub-assemblies for the FJ1100L/LC/N/NC. When preparing a parts order, please refer to the most recently updated microfiche for this model.

### THE YAMAHA PARTS FICHE

#### SYMBOLS

[ ]	Inactive, no longer available
U.R.	Use size (thickness) and/or number as required
U.N.	Use as many as you need
T	Number of teeth in a gear
V	Voltage for light bulbs
S	"S" type oil seal or "S" type circlip
SD,SO,SW	"SD", "SO", or "SW" type oil seal
E,R	"E" or "R" type circlip
F/No.	Frame No. (Applicable Machine No.)
L.M.	Locally made
O.L.	Obtain locally
AP	Alternate Part

#### SUPERSEDED PART NUMBERS

If part 'A' has been superseded by part 'B', the superseding part number "B" will appear in the part number listing with the superseded part number "A" appearing in parentheses immediately following the description.

#### EXAMPLE:

Ref. No.	Part No.	Description	Qty.
8	(Part 'B') 123-45678-00-00	(Part 'A') CYLINDER (111-12345-00-00) .....	1

A part that has been supersede to a kit may be identified by a 99999-00000-00 part number appearing in the part number column. The old superseded part number will appear in parentheses immediately following the description. Listed directly below the 99999 part number will be those parts making up the kit. The description of the parts making up the kit will be preceded by a small black dot (.) and the description will be indented one letter space.

#### EXAMPLE:

Ref. No.	Part No.	Description	Qty.
8	99999-12345-00	CYLINDER (111-12345-00-00) .....	1
	234-56789-00-00	• HEAD, CYLINDER.....	1

#### SIZES

Except for steel balls (ball sizes are indicated in inches), all parts sizes are indicated in millimeters as in the following examples:

Hose (Rubber or Vinyl) .....	Inside Diameter - Length
O-Ring .....	Section Area - Inside Diameter
Washer, Shim, Collar.....	Inside Diameter - Outside Diameter Thickness (Length)

#### ASSEMBLIES AND COMPONENT PARTS

Assemblies and their component parts, are identified by an indentation of one letter space, and the description is preceded by a dot (.). If two main assemblies are listed, and have the same basic description (i.e.: left and right sides of the same assembly), one will immediately follow the other. If each of these main assemblies is made up of almost the same components, these component parts will be listed immediately under the second main assembly line and will be indicated, as noted above.

If the component is the same for both main assemblies, the quantity indicated will be the total required. If the component is not the same for both main assemblies, the quantity for each separate item will be listed separately.

#### EXAMPLE:

Description	Qty
CARBURETOR ASSY, LEFT .....	1
CARBURETOR ASSY, RIGHT .....	1
. JET, PILOT .....	2
. NOZZLE, MAIN .....	2
. LEVER, STARTER, LEFT .....	1
. LEVER, STARTER, RIGHT .....	1

#### APPLICABLE SERIAL NO.

(1) Engine Serial No.

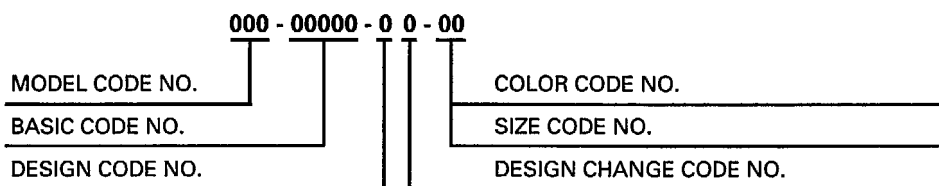
(2) Frame Serial No.

# FOREWORD

## THE YAMAHA PART NUMBER

The Yamaha part number consists of 12 digits. Each number represents a specific piece of information relating to a replacement part. The following is a guide for reading and interpreting the Yamaha part number.

### BASIC PART NUMBER CONFIGURATION:



### MODEL CODE NUMBER

FIRST THREE DIGITS . . . 000-00000-00-00

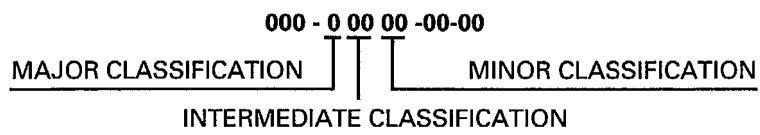
Every model in each Yamaha product line is assigned a model number to identify that particular model. All component parts are given the model code number relating to the model on which they were first used.

Example: 4DU-00000-00-00 identifies the XJ600SE.  
3FA-00000-00-00 identifies the YFA1E.

### BASIC CODE NUMBER

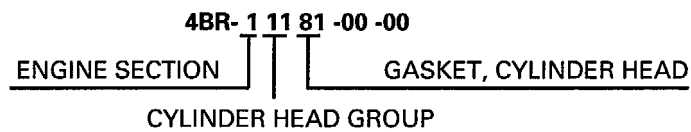
MIDDLE FIVE DIGITS . . . 000-00000-00-00

These "Middle Five Digits" indicate the type of part i.e., piston, rings, lower units, etc. The five digits are broken down as follows:



The "Major Classification" indicates the section to which the parts belong, i.e., engine, electrical etc. The "Intermediate" and "Minor Classifications" indicate more specific details.

Example:



### DESIGN CODE NUMBER: 000-00000-00-00

The design code distinguishes like component parts from one another when specification differences are involved. For example, distinguishing a standard size piston ring from an oversized piston ring.

Example:

4BR-11610- 0 0-00 Standard Piston Ring Set for XJ600SE  
4BR-11610- 2 0-00 Oversize Piston Ring Set for XJ600SE

### DESIGN CHANGE CODE NUMBER: 000-00000-00-00

This code number is used to identify a difference between a new component part and old one when a new part is created by changing the old one.

Example: YFZ350E

2GU-11610-0 0 -00 PISTON RING SET, STD. - ORIGINAL  
2GU-11610-0 1 -00 PISTON RING SET, STD. - FIRST DESIGN CHANGE

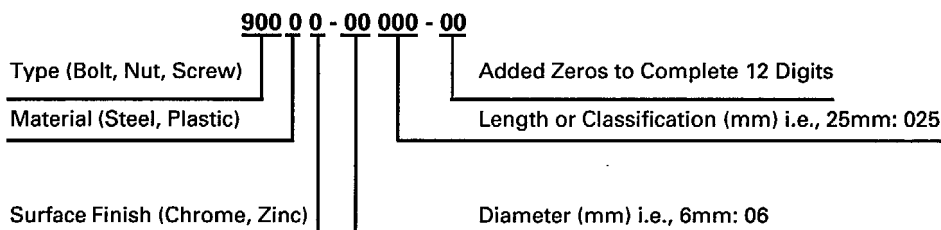
Only major changes to performance, durability, quality, appearance, cost or interchangeability will affect a part number change.

### COLOR CODE & SIZE CODE NUMBER: 000-00000-00-00

When applicable, the last two digits of the part number identify:

1. Color Code: The painted color or type of plating or surface treatment used on certain parts.
2. Size Code: The last two digits are also used to show the size of parts (mm). Such as the thickness of shims or the size of pistons.

### HARDWARE (Fastener) PART NUMBER CONFIGURATION:



### TYPE:

A fastener part number always begins with the number "9" followed by either a 0, 1, 2, 3, 4, 5, 6, 7 or 8 designating one of eight major divisions within this group.

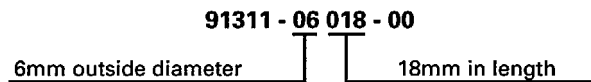
# FOREWORD

**Example:**

- 9 0 000-00000-00 "0" designates various types.
- 9 1 000-00000-00 "1" designates bolts, cotter pins, etc.
- 9 2 000-00000-00 "2" designates screw, nuts, etc.
- 9 3 000-00000-00 "3" designates oil seals, o-rings, bearings, etc.
- 9 4 000-00000-00 "4" designates spark plugs.
- 9 5 000-00000-00 "5" designates bolts and nuts.
- 9 7 000-00000-00 "7" designates ISO bolts.
- 9 8 000-00000-00 "8" designates ISO screws and nuts.

The only major divisions which the mechanic should become familiar with are those related to the general hardware (nuts, bolts, and washers), since these are the most commonly used and most often replaced items. By knowing how to interpret the part number, the dimensions of a piece of hardware can be determined. This can be very helpful during major engine repair, and general parts replacement.

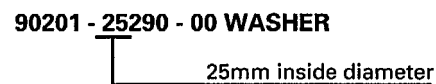
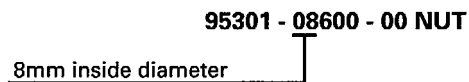
**BOLT EXAMPLE:**



**EXCEPTION:**

It is NOT possible to identify the LENGTH of bolts having a 901 prefix. Only the bolt diameter can be identified with this number.

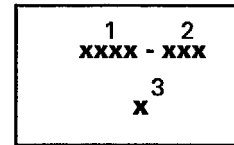
**NUT AND WASHER EXAMPLE:**



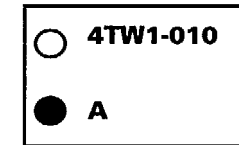
## -MODEL LABEL-

A label called "Model Label" is affixed in the location as indicated in (3) below. When using this parts catalogue, please be sure to cross-reference the "model code - production code No." in the catalogue to the "model code - production code No." indicated on the Model Label affixed onto the product concerned.

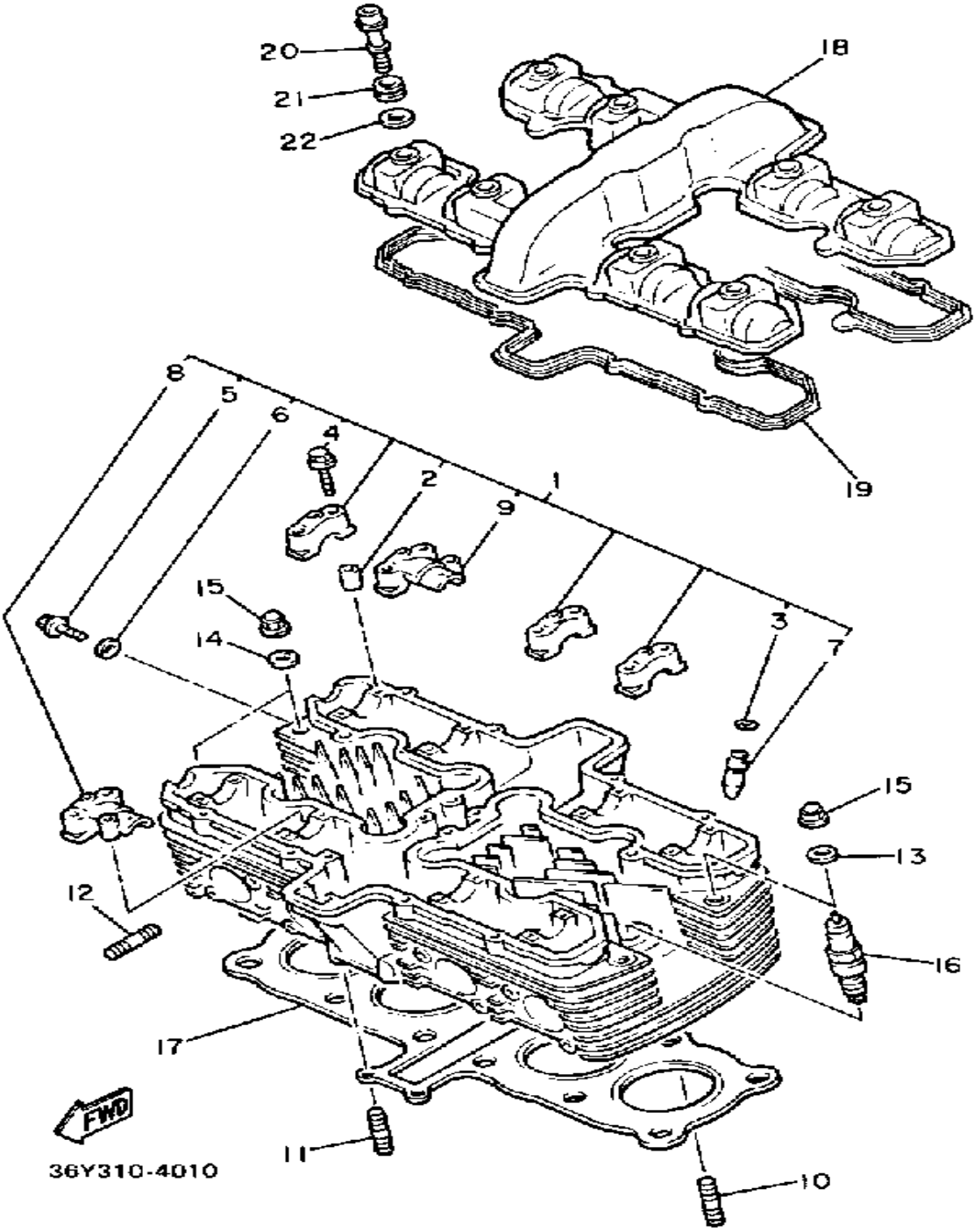
**"MODEL LABEL" INDICATION**



- 1 Model Type Code
- 2 Production Code No
- 3 Coloring Type

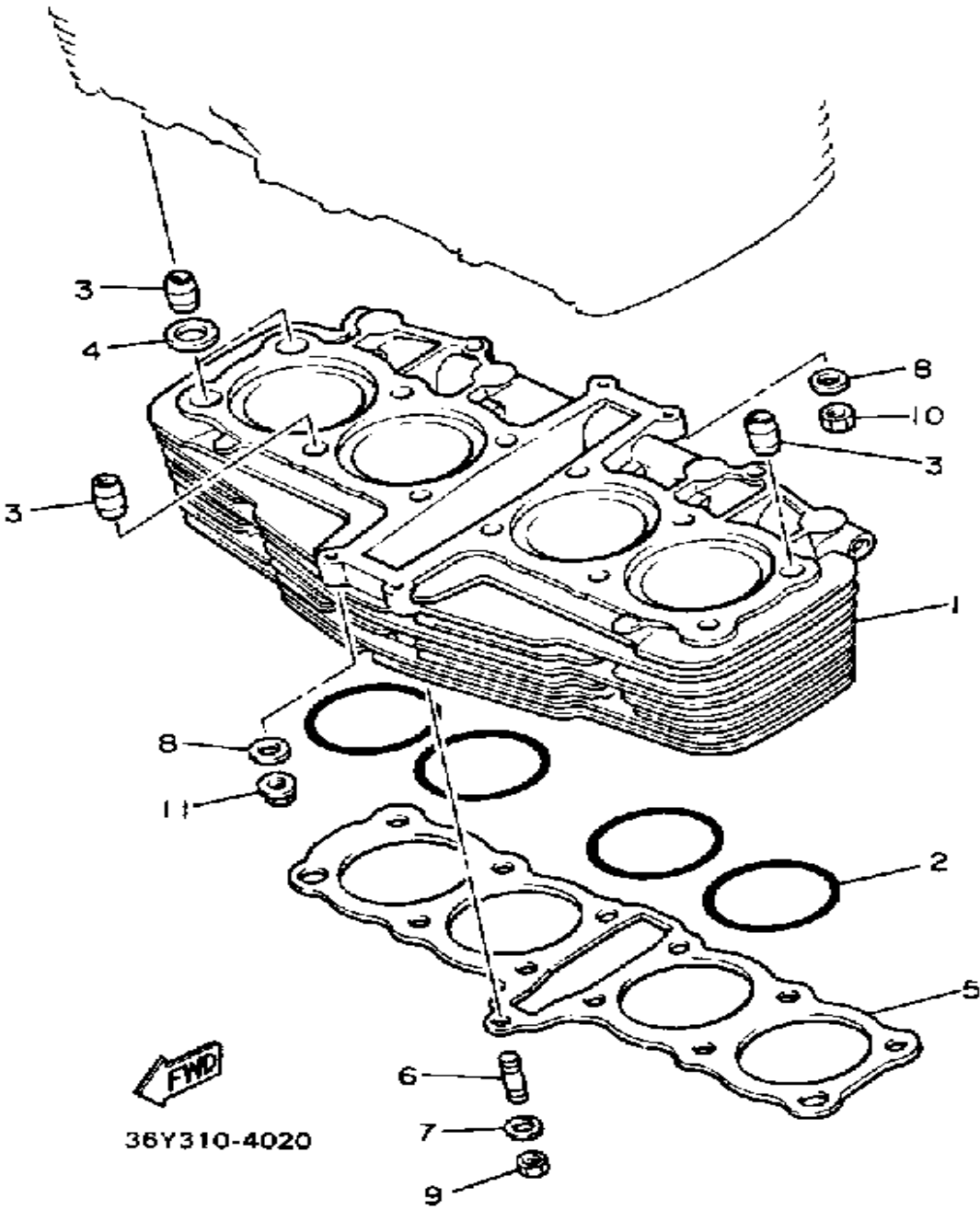


# CYLINDER HEAD



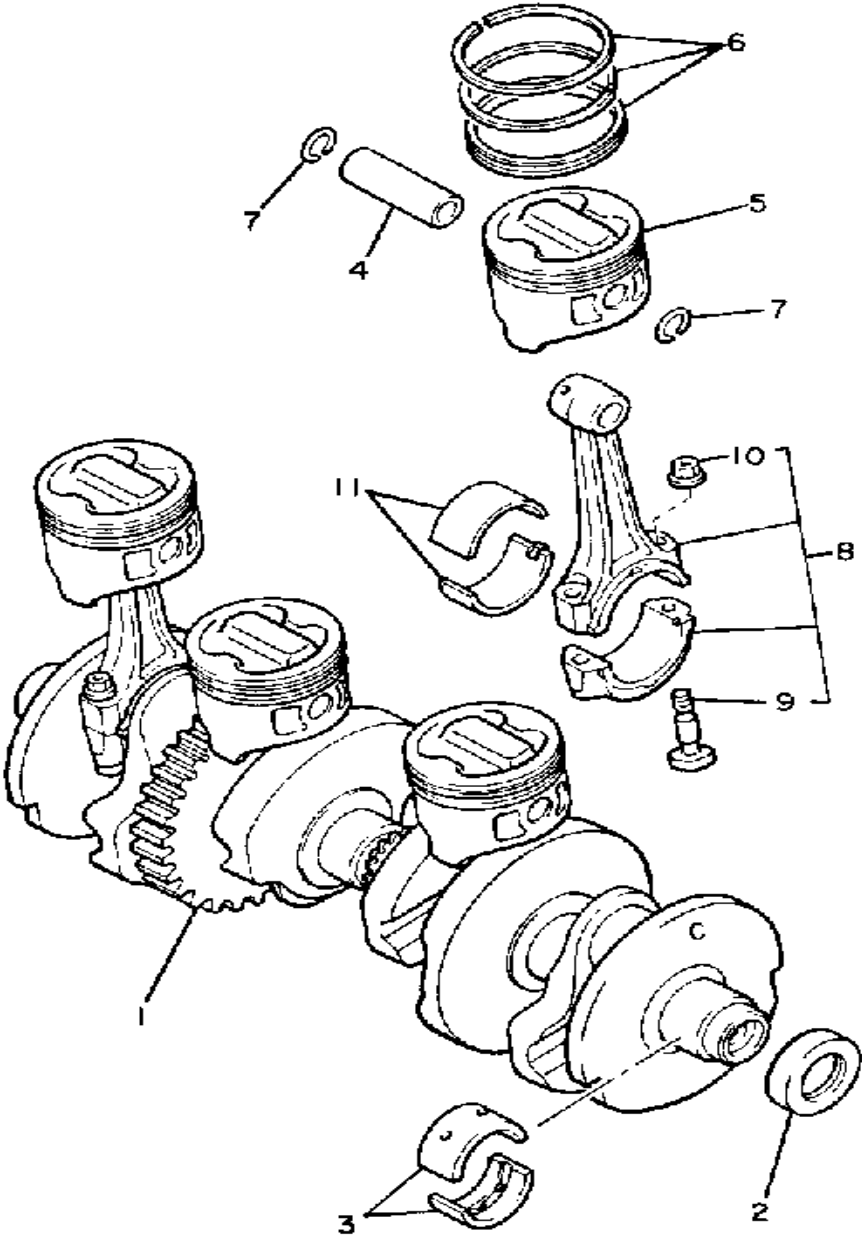
Ref. No.	Part Number	Description	Qty	Remarks
1	36Y-11101-02-00	CYLINDER HEAD ASSEMBLY	1	
2	99510-08016-00	.. PIN, DOWEL	16	
3	93440-10109-00	.. CIRCLIP	16	
4	90105-06305-00	. BOLT, WASHER BASED	18	
5	90153-06045-00	. SCREW, HEXAGON	1	
6	90430-06014-00	. GASKET	1	
7	36Y-11133-10-00	. GDE, INTK VLV 1 O/S	16	
8	36Y-12193-10-00	. CAP, CAMSHAFT 3	1	
9	36Y-12178-10-00	. CAP, CAMSHAFT 4	1	
10	95612-06625-00	BOLT, STUD	2	
11	95611-06630-00	BOLT, STUD	2	
12	95611-08635-00	BOLT, STUD	8	
13	90201-102G9-00	WASHER, PLATE	10	
14	90201-10128-00	WASHER, PLATE	2	
15	90176-10053-00	NUT, CROWN	12	
16	NGK-DP8EA-90-00	PLUG, SPARK (NGK DP8EA-9)	4	
17	36Y-11181-00-00	GASKET, CYLINDER HEAD 1	1	
18	36Y-11191-01-00	COVER, CYLINDER.HEAD 1	1	
19	36Y-11193-00-00	GASKET, HD.COVER 1	1	
20	90109-064F0-00	BOLT	8	
21	2GH-1111G-00-00	RUBBER, MOUNT 1	8	
22	90209-11262-00	WASHER	8	

# CYLINDER



Ref. No.	Part Number	Description	Qty	Remarks
1	36Y-11310-00-00	CYLINDER .....	1	
2	93210-77363-00	O-RING .....	4	
3	99530-14016-00	PIN, DOWEL .....	4	
4	90430-14131-00	GASKET .....	2	
5	4CR-11351-00-00	GASKET, CYLINDER .....	1	
6	95611-08330-00	BOLT, STUD .....	1	
7	90201-084G3-00	WASHER, PLATE .....	1	
8	90201-061A5-00	WASHER, PLATE .....	4	
9	95333-08600-00	NUT .....	1	
10	95311-06600-00	NUT .....	2	
11	90179-06499-00	NUT .....	2	

# CRANKSHAFT-PISTON



**FJ1100L/LC FJ1100N/NC**

Piston Skirt Clearance New / Max	0.03 ~ 0.05mm / 0.1mm
Ring End Gap Top / 2nd / 3rd	0.20 ~ 0.35mm / 0.20 ~ 0.35mm / 0.2 ~ 0.7mm

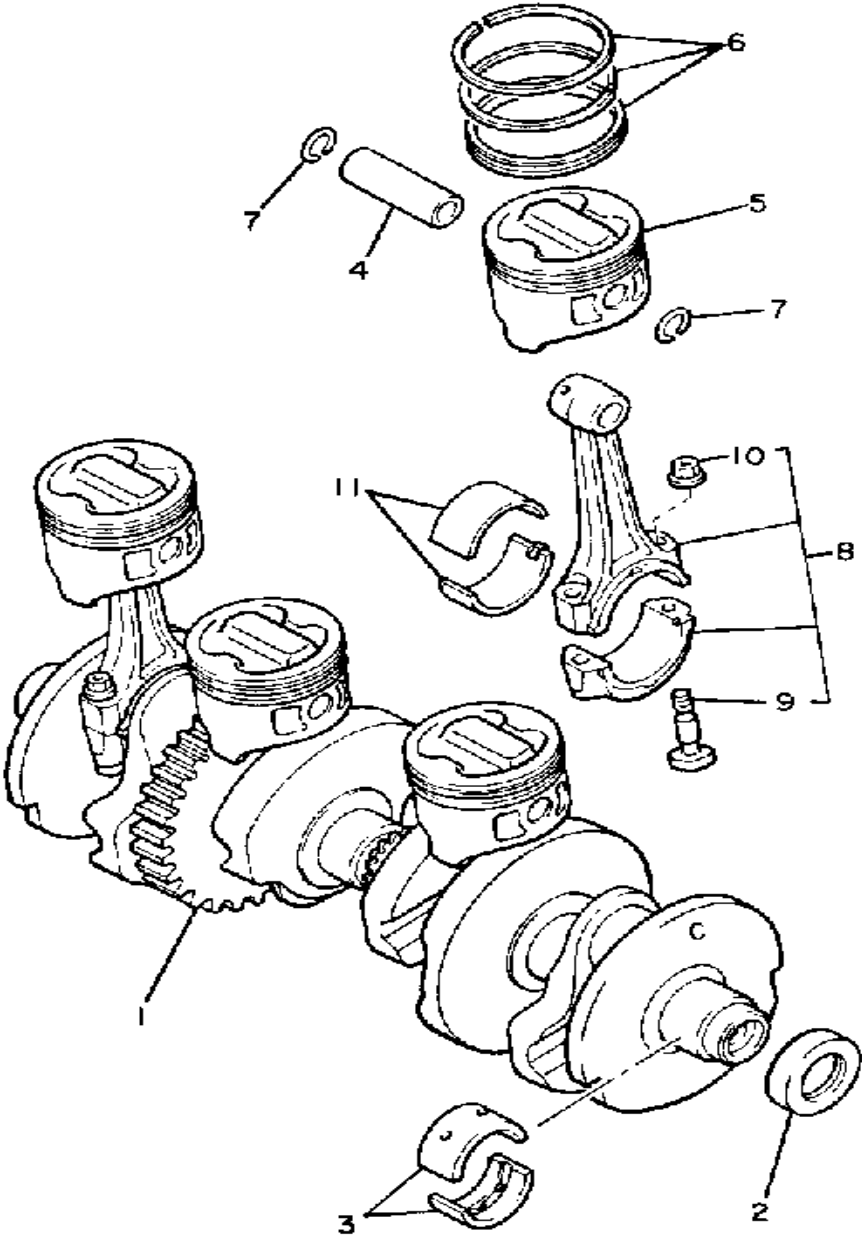
Ref. No.	Part Number	Description	Qty	Remarks
1	36Y-11411-01-00	CRANKSHAFT (36Y-11411-01-00) .....	1	
2	36Y-15389-09-00	OIL SEAL .....	1	
3	2H7-11416-01-00	PLANE BRNG, CRSF 1CRANKSHAFT 1 .....	8	U.R. BLUE
	2H7-11416-11-00	PLANE BRNG, CRSF 1CRANKSHAFT 1 .....	8	U.R. BLACK
	2H7-11416-21-00	PLANE BRNG, CRSF 1CRANKSHAFT 1 .....	8	U.R. BROWN
	2H7-11416-31-00	PLANE BRNG, CRSF 1CRANKSHAFT 1 .....	8	U.R. GREEN
	2H7-11416-41-00	PLANE BRNG, CRSF 1CRANKSHAFT 1 .....	8	U.R. YELLOW
4	30X-11633-03-00	PIN, PISTON .....	4	
5	36Y-11631-02-W0	PISTON STD .....	4	
	36Y-11636-02-00	PISTON 2 O/S 0.50 (0.50MM O/S) .....	4	
	36Y-11638-02-00	PISTON 4 O/S 1.00 (1.00MM O/S) .....	4	
6	36Y-11610-01-00	PISTON RING SET (STD) .....	4	
	36Y-11610-21-00	PISTON RING SET (2ND O/S) ..	4	ALT. PART
	36Y-11610-41-00	PISTON RING SET (4TH O/S) ..	4	ALT. PART
7	93450-19052-00	CIRCLIP .....	8	
8	36Y-11650-00-00	CONNECTING ROD ASSEMBLY	4	
9	36Y-11654-00-00	. BOLT, CONNECTING ROD ..	2	
10	90179-08327-00	. NUT .....	2	
11	36Y-11656-00-00	PLANE BRNG, CON RODCONNECTING ROD .....	8	U.R. PINK
	36Y-11656-10-00	PLANE BRNG, CON RODCONNECTING ROD .....	8	U.R. BLUE
	36Y-11656-20-00	PLANE BRNG, CON RODCONNECTING ROD .....	8	U.R. BLACK



36Y310-4030

CONTINUED ON NEXT FRAME ➤

# CRANKSHAFT-PISTON



Ref. No.	Part Number	Description	Qty	Remarks
11	36Y-11656-30-00	PLANE BRNG, CON RODCONNECTING ROD	..... 8	U.R. BROWN

FJ1100L/LC FJ1100N/NC

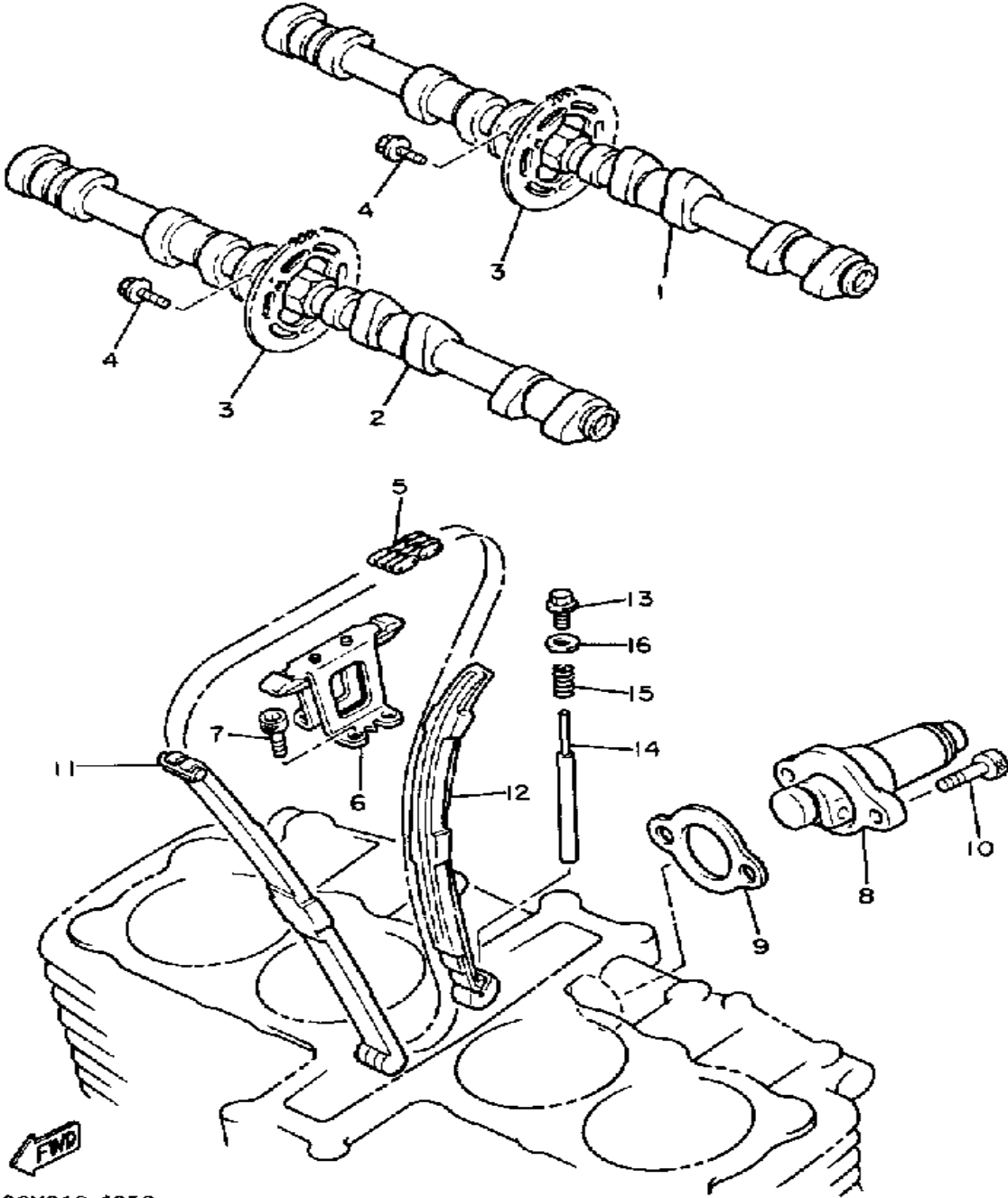
Piston Skirt Clearance New / Max	0.03 ~ 0.05mm / 0.1mm
Ring End Gap Top / 2nd / 3rd	0.20 ~ 0.35mm / 0.20 ~ 0.35mm / 0.2 ~ 0.7mm



36Y310-4030



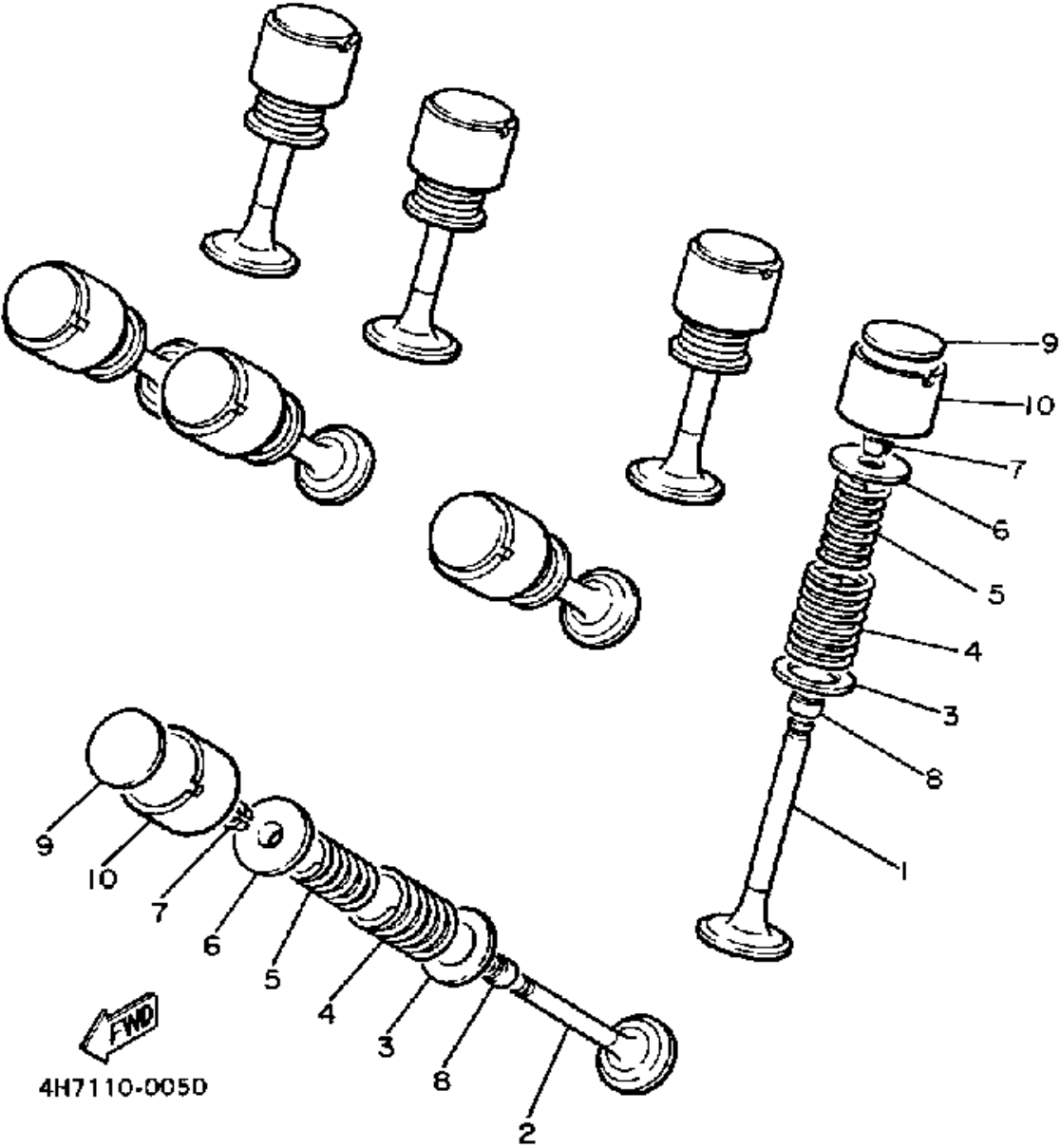
# CAMSHAFT-CHAIN



Ref. No.	Part Number	Description	Qty	Remarks
1	47M-12171-00-00	CAMSHAFT 1 .....	1	
2	47M-12181-00-00	CAMSHAFT 2 .....	1	
3	36Y-12176-00-00	SPROCKET, CAM CHAIN .....	2	
4	90105-07087-00	BOLT, WASHER BASED .....	4	
5	94591-05156-00	CHAIN, CAM .....	1	
6	99999-01578-00	GUIDE, STOPPER 2 .....	1	
7	91316-06012-00	BOLT, SOCKET HEAD .....	4	
8	1TX-12210-00-00	TENSNR ASSEMBLY, CAM CHNCAM CHAIN .....	1	
9	4BE-12213-00-00	GASKET, TENSIONER CASE ..	1	
10	91316-06025-00	BOLT .....	2	
11	36Y-12251-00-00	DAMPER, CHAIN 1 .....	1	
12	36Y-12252-03-00	DAMPER, CHAIN 2 .....	1	
13	90340-10108-00	PLUG, STRAIGHT SCRW .....	1	
14	90249-04184-00	PIN, SPEC"L SHAPE .....	1	
15	90501-153A2-00	SPRING, COMPRESSION .....	1	
16	90201-10118-00	WASHER, PLATE .....	1	

36Y310-4050

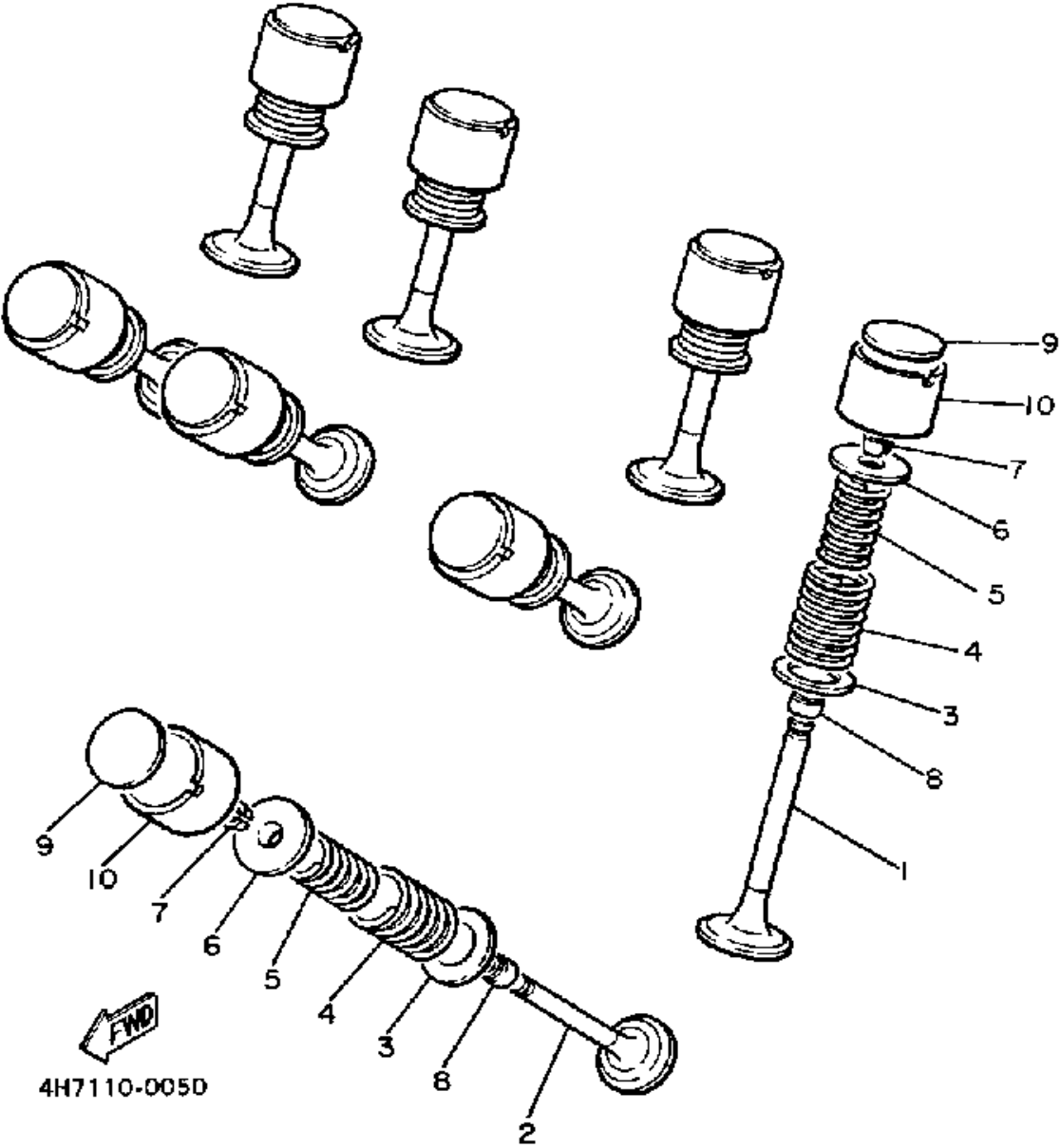
# VALVE



Ref. No.	Part Number	Description	Qty	Remarks
1	36Y-12111-00-00	VALVE, INTAKE .....	8	
2	36Y-12121-00-00	VALVE, EXHAUST .....	8	
3	26H-12116-00-00	SEAT, VALVE SPRING .....	16	
4	36Y-12114-00-00	SPRING, VALVE OUTER .....	16	
5	36Y-12113-00-00	SPRING, VALVE INNER .....	16	
6	30X-12117-00-00	RETAINER, VALVE SPRING ..	16	
7	30X-12118-00-00	COTTER, VALVE .....	32	
8	51Y-12119-00-00	SEAL, VALVE STEM .....	16	
9	26H-12168-00-00	PAD, ADJUSTING (2.00) .....	16	U.R.
	26H-12168-20-00	PAD, ADJUSTING (2.05) .....	16	U.R.
	26H-12168-40-00	PAD, ADJUSTING (2.10) .....	16	U.R.
	26H-12168-60-00	PAD, ADJUSTING (2.15) .....	16	U.R.
	26H-12168-80-00	PAD, ADJUSTING (2.20) .....	16	U.R.
	26H-12168-A0-00	PAD, ADJUSTING (2.25) .....	16	U.R.
	26H-12168-F0-00	PAD, ADJUSTING (2.30) .....	16	U.R.
	26H-12168-H0-00	PAD, ADJUSTING (2.35) .....	16	U.R.
	26H-12168-K0-00	PAD, ADJUSTING (2.40) .....	16	U.R.
	26H-12168-M0-00	PAD, ADJUSTING (2.45) .....	16	U.R.
	26H-12168-R0-00	PAD, ADJUSTING (2.50) .....	16	U.R.
	26H-12168-U0-00	PAD, ADJUSTING (2.55) .....	16	U.R.
	26H-12168-W0-00	PAD, ADJUSTING (2.60) .....	16	U.R.
	26H-12168-Y0-00	PAD, ADJUSTING (2.65) .....	16	U.R.
	26H-12169-10-00	PAD, ADJUSTING (2.70) .....	16	U.R.
	26H-12169-30-00	PAD, ADJUSTING (2.75) .....	16	U.R.
	26H-12169-50-00	PAD, ADJUSTING (2.80) .....	16	U.R.
	26H-12169-70-00	PAD, ADJUSTING (2.85) .....	16	U.R.
	26H-12169-90-00	PAD, ADJUSTING (2.90) .....	16	U.R.
	26H-12169-E0-00	PAD, ADJUSTING (2.95) .....	16	U.R.
	26H-12169-G0-00	PAD, ADJUSTING (3.00) .....	16	U.R.

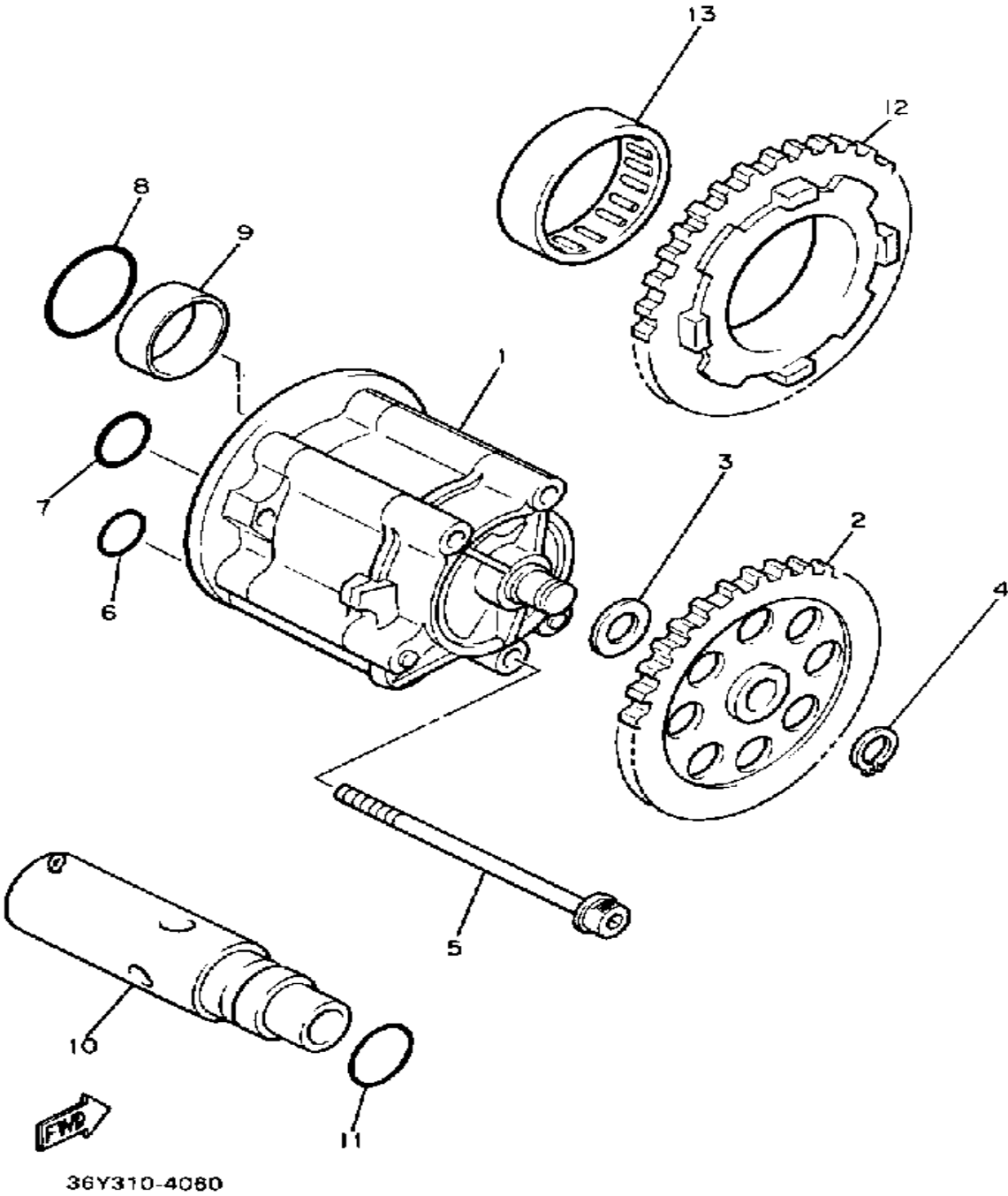
CONTINUED ON NEXT FRAME ►

# VALVE



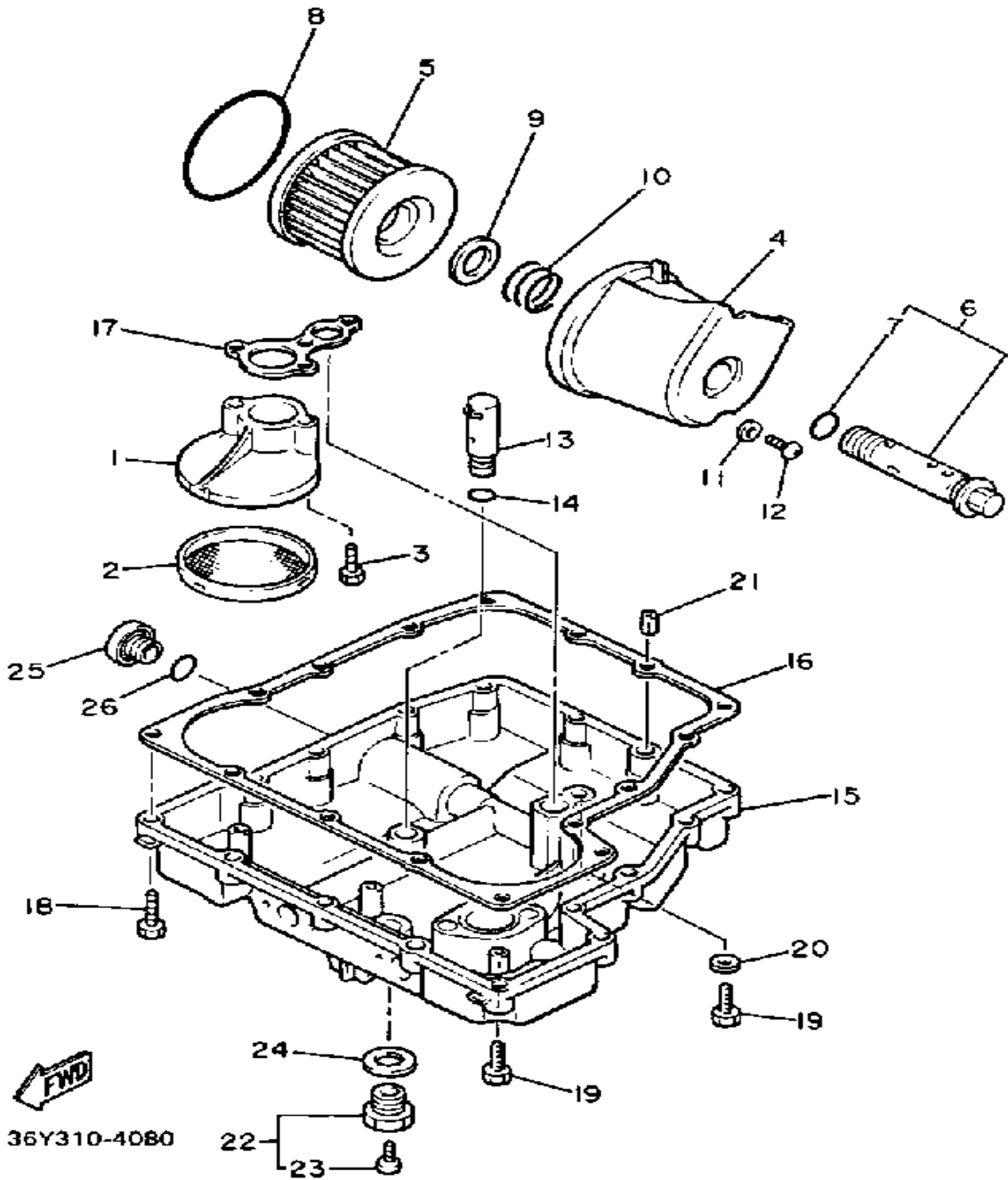
Ref. No.	Part Number	Description	Qty	Remarks
9	26H-12169-J0-00	PAD, ADJUSTING (3.05)	16	U.R.
	26H-12169-L0-00	PAD, ADJUSTING (3.10)	16	U.R.
	26H-12169-N0-00	PAD, ADJUSTING (3.15)	16	U.R.
	26H-12169-T0-00	PAD, ADJUSTING (3.20)	16	U.R.
10	26H-12153-00-Y0	LIFTER, VALVE	16	

# OIL PUMP



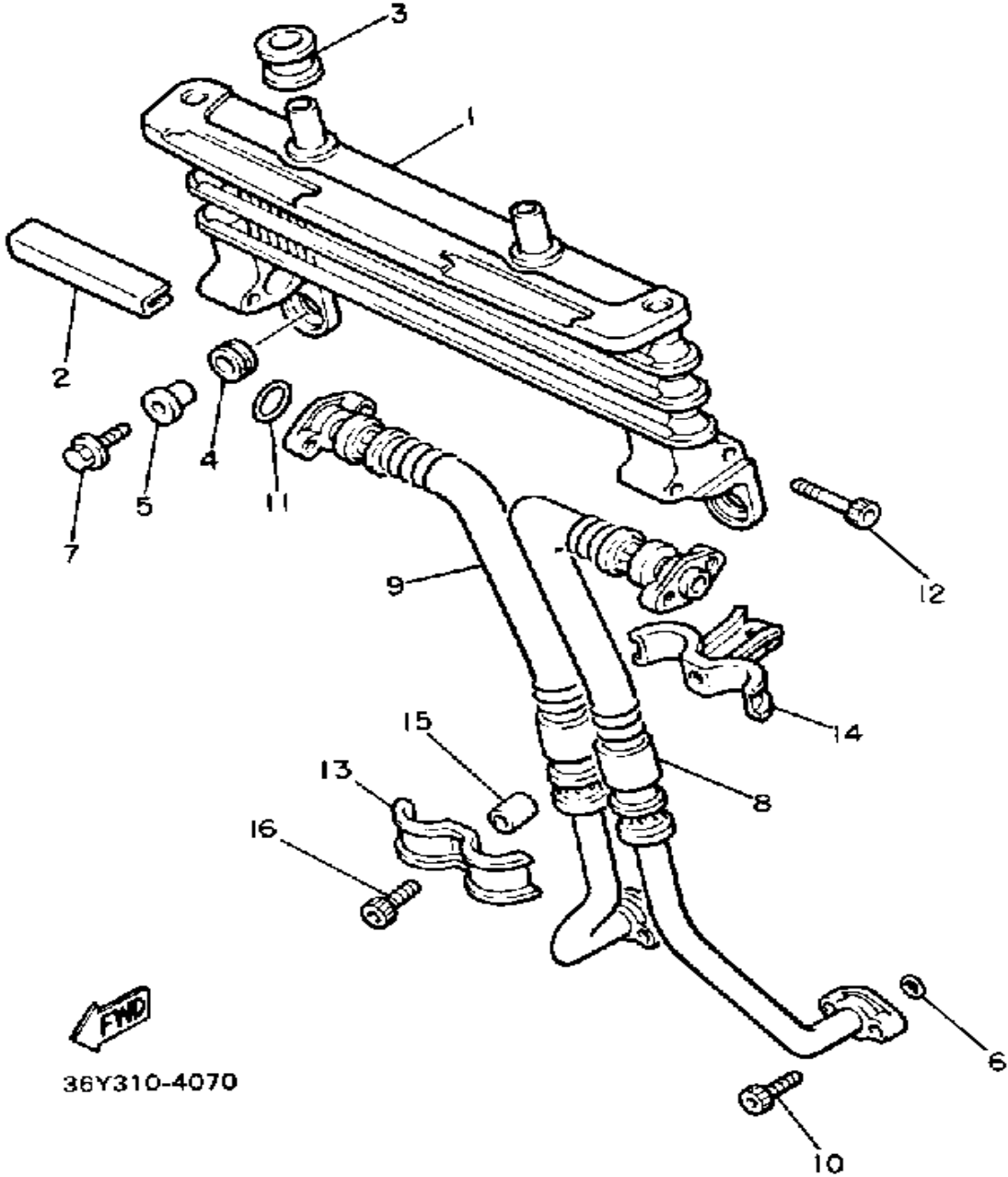
Ref. No.	Part Number	Description	Qty	Remarks
1	3CV-13300-00-00	OIL PUMP ASSEMBLY .....	1	
2	36Y-13325-00-00	GEAR, PUMP DRIVEN .....	1	
3	90201-106H7-00	WASHER, PLATE .....	1	
4	93440-09139-00	CIRCLIP, OUTER .....	1	
5	95811-06080-00	BOLT, FLANGE .....	3	
6	93210-13657-00	O-RING .....	1	
7	93210-15566-00	O-RING .....	1	
8	93210-26658-00	O-RING .....	1	
9	93626-08210-00	PIN, DOWEL (36Y) .....	1	
10	36Y-13490-00-00	RELIEF VALVE ASSEMBLY ...	1	
11	93210-15566-00	O-RING .....	1	
12	36Y-13324-00-00	GEAR, PUMP DRIVE .....	1	
13	93315-23612-00	BEARING .....	1	

# OIL FILTER



Ref. No.	Part Number	Description	Qty	Remarks
1	36Y-13412-00-00	HOUSING, STRAINER	1	
2	4H7-13411-02-00	STRAINER, OIL	1	
3	91316-06020-00	BOLT, SOCKET HEAD	2	
4	36Y-13447-01-00	COVER, OIL ELEMENT	1	
5	36Y-13441-00-00	ELEMENT, OIL CLNR	1	
6	36Y-13340-00-00	BY-PASS VALVE ASSEMBLY	1	
7	93210-16629-00	. O-RING	1	
8	93210-87723-00	O-RING	1	
9	90201-21608-00	WASHER, PLATE	1	
10	90501-20422-00	SPRING, COMPRESSION	1	
11	90430-05126-00	GASKET	1	
12	90149-05110-00	SCREW	1	
13	25G-13490-00-00	RELIEF VALVE ASSEMBLY	1	
14	93210-10096-00	O-RING	1	
15	36Y-13417-02-00	COVER, STRAINER	1	
16	4CR-13414-00-00	GASKET, STRNR COVERSTRAINER COVER	1	
17	36Y-13415-00-00	SEAL, OIL STRAINER	1	
18	91316-06025-00	BOLT	14	
19	91316-06035-00	BOLT	3	
20	90430-06014-00	GASKET	1	
21	99510-08016-00	PIN, DOWEL	2	
22	3VD-13455-00-00	PLUG	1	
23	98901-06008-00	. SCREW, BIND	1	
24	214-11198-01-00	GASKET	1	
25	36Y-15189-00-00	PLUG	1	
26	93210-17570-00	O-RING	1	

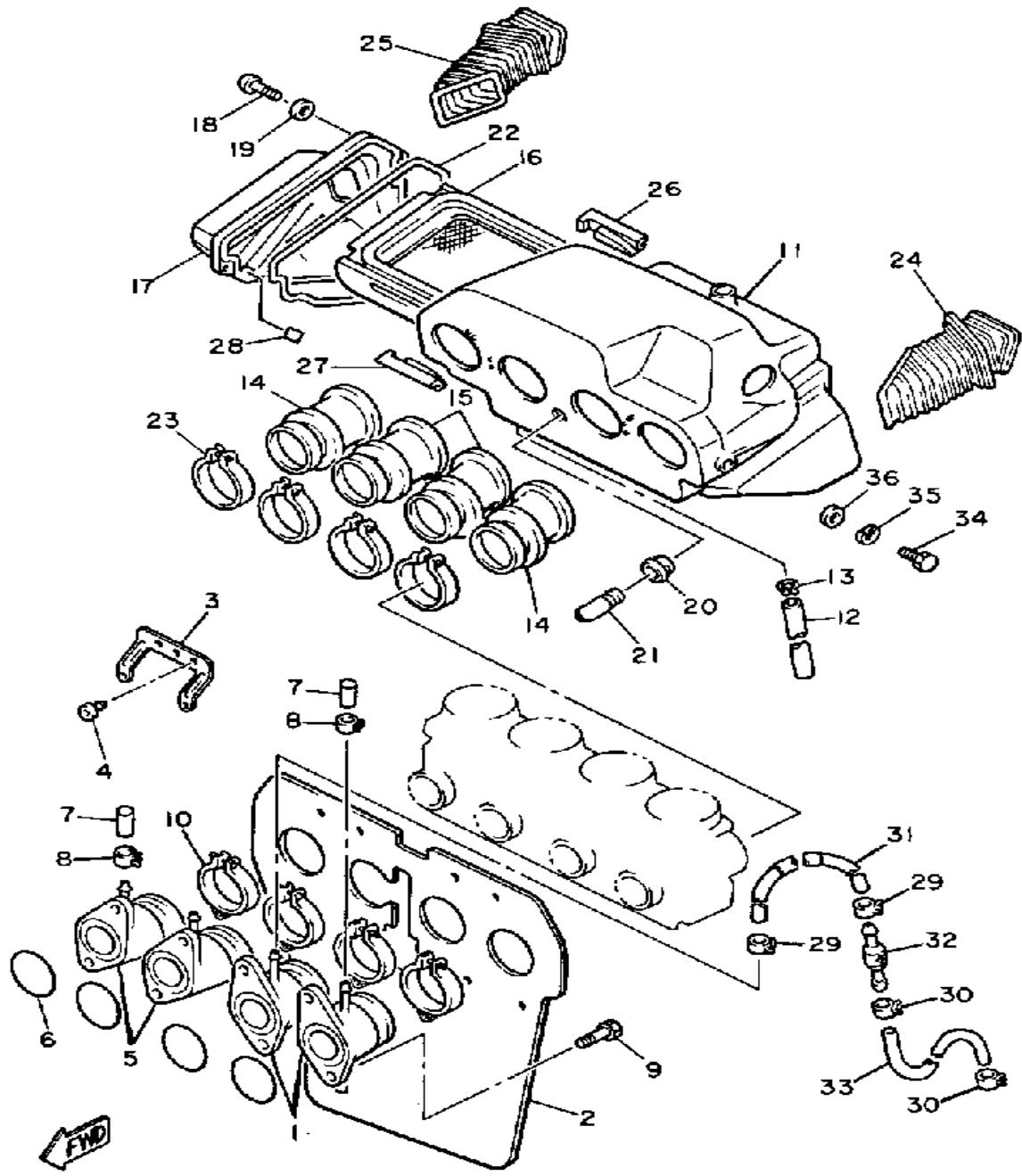
# OIL COOLER



36Y310-4070

Ref. No.	Part Number	Description	Qty	Remarks
1	36Y-13470-01-00	OIL COOLER ASSEMBLY	1	
2	36Y-13159-00-00	DAMPER	2	
3	90480-16284-00	GROMMET	2	
4	90480-12475-00	GROMMET	2	
5	90387-067K8-00	COLLAR	2	
6	93210-14579-00	O-RING	2	
7	95826-06020-00	BOLT, flange (95806-06020-00)	2	
8	36Y-13464-03-00	HOSE, OIL 1	1	
9	36Y-13465-03-00	HOSE, OIL 2	1	
10	91316-06020-00	BOLT, SOCKET HEAD	4	
11	93210-16629-00	O-RING	2	
12	91316-06040-00	BOLT, SOCKET HEAD	4	
13	90465-08250-00	CLAMP	1	
14	90465-08249-00	CLAMP	1	
15	90387-064A5-00	COLLAR	1	
16	91316-06025-00	BOLT	1	

# AIR FILTER

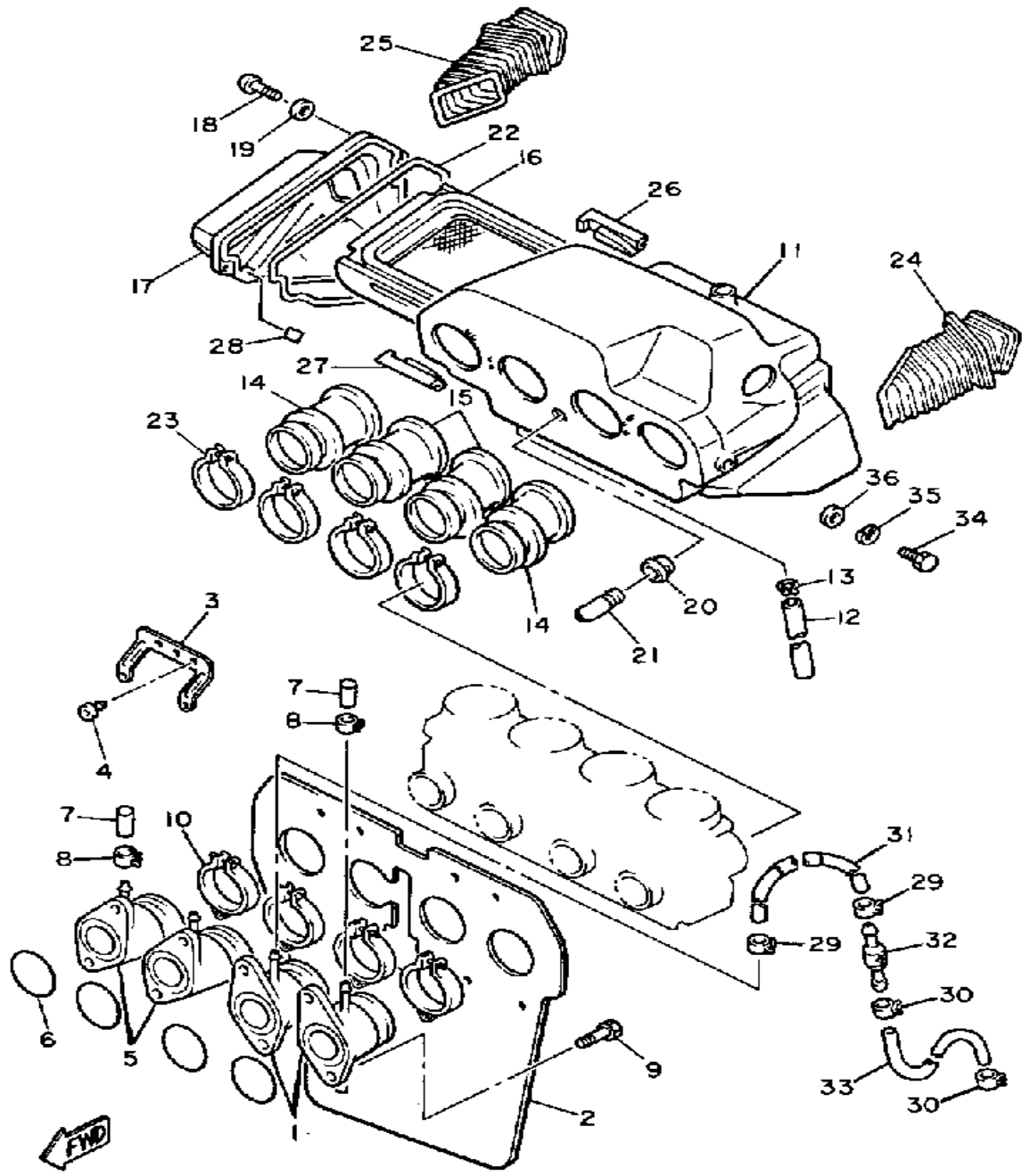


36Y310-4090

Ref. No.	Part Number	Description	Qty	Remarks
1	36Y-13586-00-00	JOINT, CARBURETOR 1	2	
2	3XW-12682-00-00	HEAT PROTECTOR 1	1	
3	36Y-12637-00-00	STAY 1	3	
4	90480-08395-00	GROMMET	6	
5	36Y-13596-00-00	JOINT, CARBURETOR 2	2	
6	93210-40659-00	O-RING	4	
7	16G-13569-00-00	PLUG, BLIND	3	
8	90467-10039-00	CLIP	3	
9	91316-06020-00	BOLT, SOCKET HEAD	8	
10	90460-52264-00	CLAMP, HOSE (90460-52210-00)	4	
11	36Y-14401-00-00	AIR CLNR CASE ASSEMBLY	1	
12	90445-11182-00	HOSE	1	
13	90467-09006-00	CLIP	1	
14	36Y-14453-00-00	JOINT, AIR CLNR 1	2	
15	36Y-14463-00-00	JOINT, AIR CLNR 2	2	
16	36Y-14451-00-00	ELEMENT, AIR CLNR	1	
17	36Y-14412-00-00	CAP, CLEANER CASE 1	1	
18	98506-05020-00	SCREW, PAN HEAD	3	
19	92906-05600-00	WASHER, PLATE	3	
20	31A-14435-00-00	GROMMET	1	
21	31A-14419-00-00	PIPE	1	
22	5T0-14457-00-00	SEAL	1	
23	90460-58015-00	CLAMP, HOSE	4	
24	36Y-14431-00-00	SILENCER, INTAKE 1	1	
25	36Y-14441-00-00	SILENCER, INTAKE 2	1	
26	36Y-W1441-00-00	AIR CLEANER CASE	1	
27	36Y-W1441-00-00	AIR CLEANER CASE	1	
28	36Y-14409-00-00	DAMPER	2	

CONTINUED ON NEXT FRAME ►

# AIR FILTER

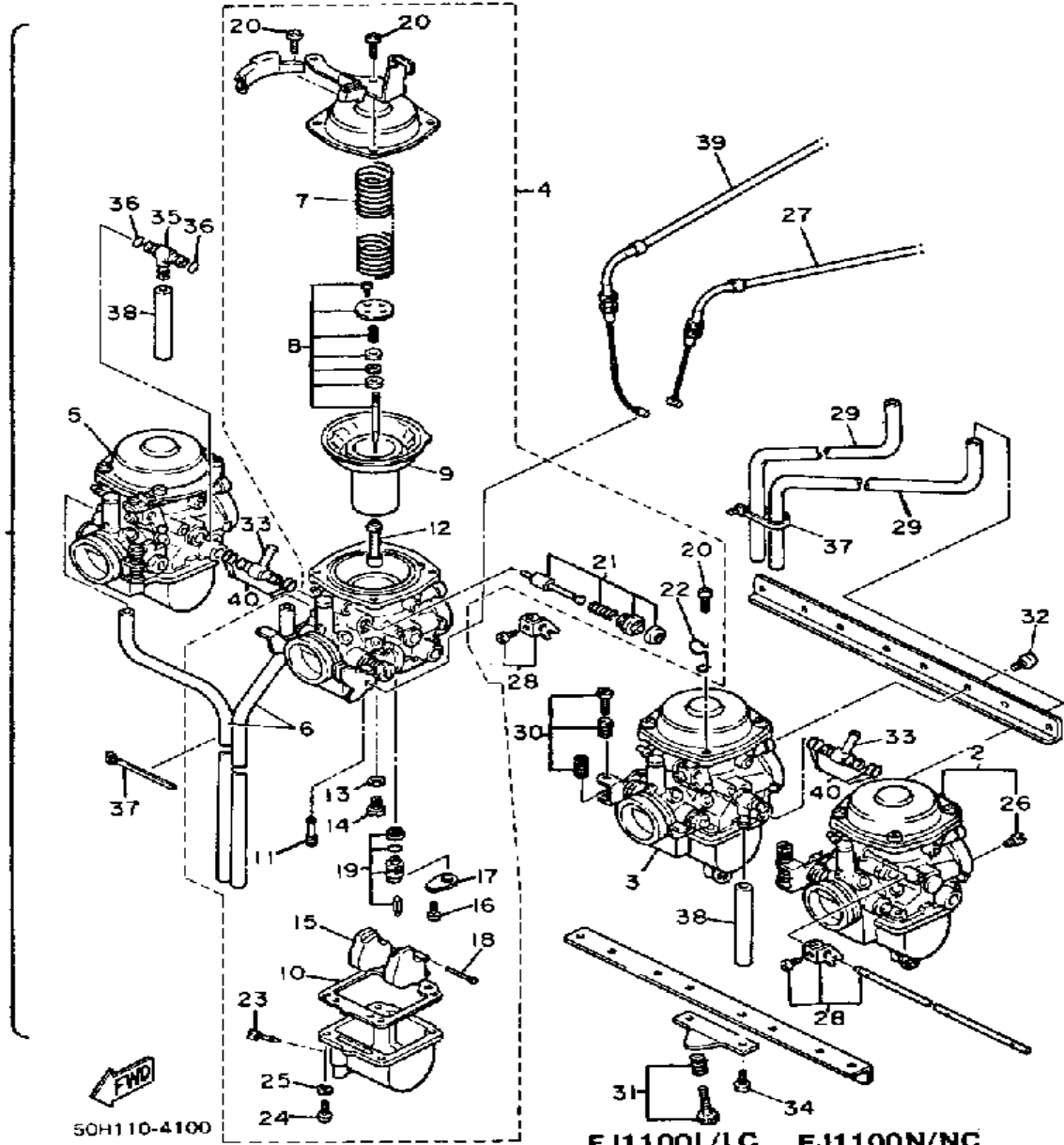


36Y310-4090

Ref. No.	Part Number	Description	Qty	Remarks
29	90467-08092-00	CLIP .....	2	
30	90467-07093-00	CLIP .....	2	
31	90445-092A2-00	HOSE .....	1	
32	41R-14489-00-00	NOZZLE .....	1	
33	90445-08411-00	HOSE .....	1	
34	97026-06012-00	BOLT .....	3	
35	92906-06700-00	WASHER, WAVE .....	3	
36	92906-06600-00	WASHER .....	3	



# CARBURETOR



50H110-4100

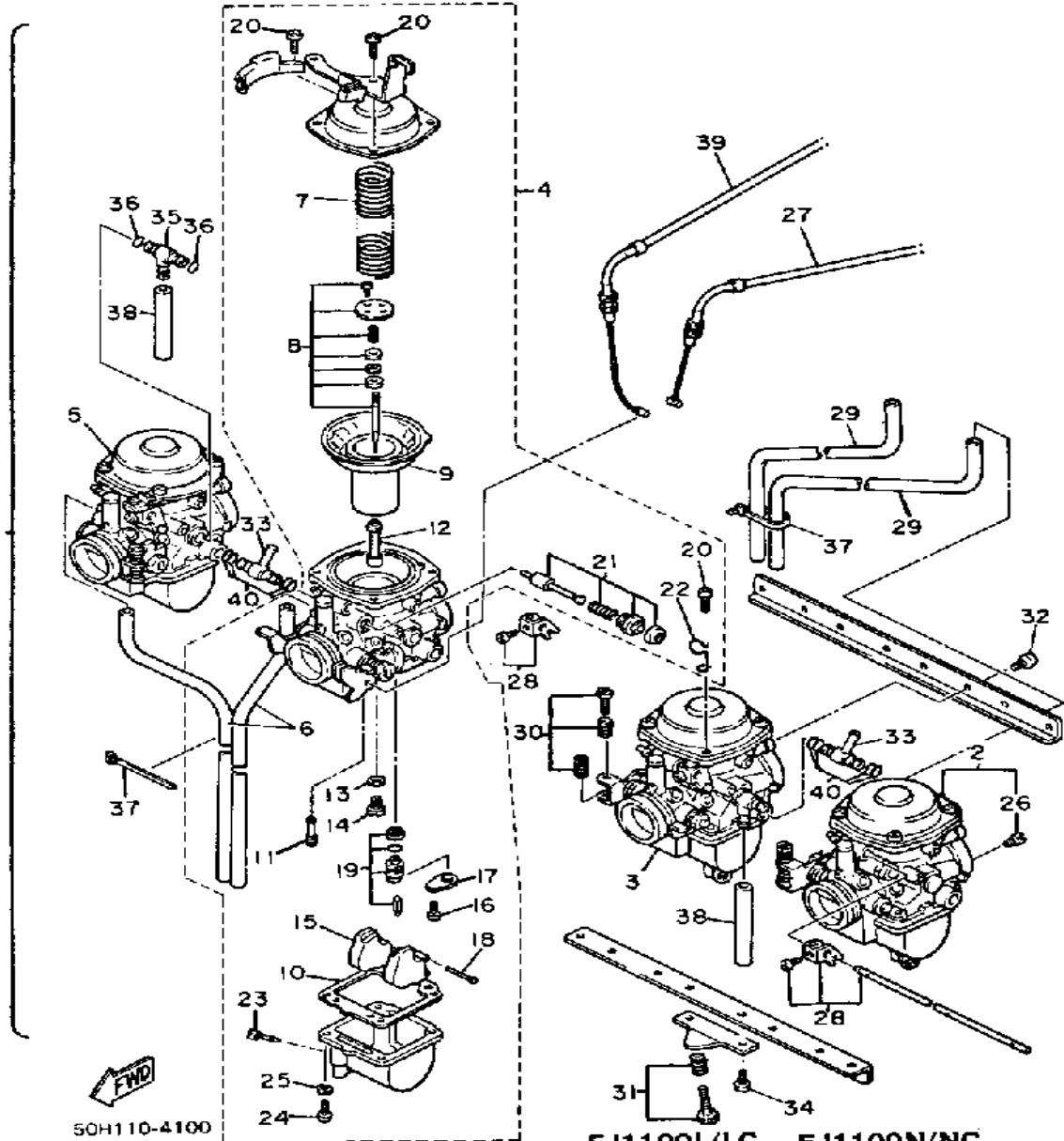
FJ1100L/LC FJ1100N/NC

CARBURETOR - Manufacturer / Type / I.D. Number	Mikuni / BS36 / 50H-00	Mikuni / BS36 / 50H-00
Main Jet / Pilot Jet / Pilot Screw (Turns Out)	112.5 / 37.8 / 2.0	110 / 40 / 2.0
Needle Jet / Jet Needle-Clip Position	YQ (#318) / SF263 Fixed	Y2 / NI-3 Fixed
Slide Outway	ø	ø
Float Level / Fuel Level	22.3mm / 2 ~ 4mm	22.3mm / 3 ± 1mm
Idle rpm	950 ~ 1050 rpm	1000 ± 50 rpm
Max CO <sub>2</sub> / Max HC <sub>2</sub> / Set CO	7.0% / 500 ppm / 3.0%	7.0% / 500 ppm / 3.0%

Ref. No.	Part Number	Description	Qty	Remarks
1	(50H-14900-00-00)	UNAVAILABLE IN PRICE BOOK	1	
	(50H-14900-01-00)	UNAVAILABLE IN PRICE BOOK	1	
2	(50H-14901-01-00)	CARBURETOR ASSEMBLY 1	1	
3	(50H-14902-01-00)	CARBURETOR ASSEMBLY 2	1	
4	(50H-14903-00-00)	CARBURETOR ASSEMBLY 3	1	
	(50H-14903-01-00)	CARBURETOR ASSEMBLY 3	1	U.R.
5	(50H-14904-00-00)	CARBURETOR ASSEMBLY 4	1	
	(50H-14904-01-00)	CARBURETOR ASSEMBLY 4	1	
6	26H-14197-01-00	.. PIPE	2	
7	3G1-14933-00-00	.. SPRING, DIAPHRAGM	4	
	3Y6-14933-00-00	.. SPRING, DIAPHRAGM	4	
8	47M-1490J-00-00	.. NEEDLE SET	4	
	47M-1490J-01-00	.. NEEDLE SET	4	
9	36Y-14940-00-00	.. DIAPHRAGM ASSEMBLY	4	
	50H-14940-00-00	.. DIAPHRAGM ASSEMBLY	4	
10	3XW-14984-00-00	.. GASKET, FLOAT CHMBR	4	
11	4G0-14142-37-A0	.. JET, PILOT #37.5 (4G0-14142-37-00)	4	
12	16H-14941-90-00	.. NOZZLE, MAIN	4	
	50H-14941-92-00	.. NOZZLE MAIN	4	
13	137-14153-00-00	.. WASHER, MAIN JET	4	
14	620-14231-22-A0	.. JET, MAIN #110 (620-14231-22)	4	
	620-1423A-73-00	.. JET, MAIN (#112.5)	4	
15	3H5-14985-00-00	.. FLOAT	4	
16	98511-04006-00	.. SCREW, PAN HEAD (98501-04005)	4	
17	2H0-14146-00-00	.. PLATE	4	
18	537-14186-00-00	.. PIN, FLOAT	4	
19	25G-14107-23-00	.. NEEDLE VALVE SET	4	

CONTINUED ON NEXT FRAME ➤

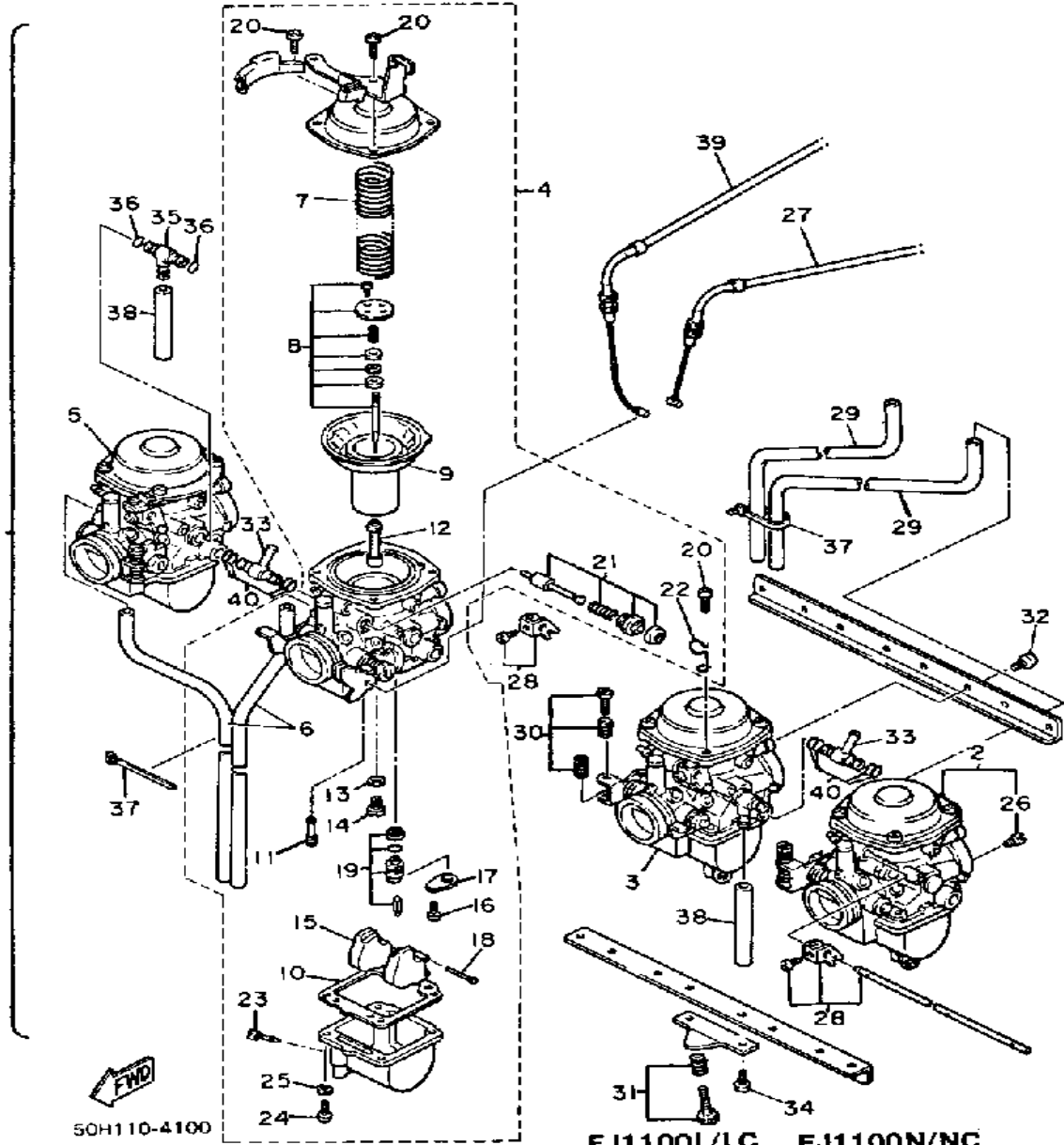
# CARBURETOR



Ref. No.	Part Number	Description	Qty	Remarks
20	98580-05010-00	.. SCREW, PAN HEAD	16	
21	36Y-1410A-00-00	.. STARTER SET	4	
22	25J-14937-00-00	.. CLIP	1	
23	12R-14191-00-00	.. PLUG, DRAIN	4	
24	98580-05016-00	.. SCREW, PAN HEAD	16	
25	92990-05100-00	.. WASHER, SPRING	16	
26	3G2-14231-31-00	.. JET, MAIN (#155)	4	
	3G2-14231-32-00	.. JET, MAIN (#160)	4	
27	36Y-2631J-00-00	. CABLE, THROTTLE 4	1	
28	36Y-1490L-00-00	. STARTER LEVER SET	1	
29	26H-14197-00-00	. PIPE	2	
30	36Y-1490K-00-00	. STOP SCREW SET	3	
31	36Y-14103-00-00	. THROTTLE SCREW SET	1	
32	98580-05010-00	. SCREW, PAN HEAD	8	
33	(36Y-14988-00-00)	PIPE, STARTER CON	2	
34	98503-06014-00	. SCREW, PAN HEAD (92502-06016)	8	
35	17A-14251-00-00	. NIPPLE	2	
36	822-14147-00-00	. O-RING	4	
37	35H-14139-00-00	. CLIP, PIPE	2	
38	(50H-14987-00-00)	HOSE	2	
39	36Y-26313-00-00	. CABLE, THROTTLE 3	1	
40	36Y-14147-00-00	. O-RING	8	

CARBURETOR - Manufacturer / Type / I.D. Number	FJ1100L/LC		FJ1100N/NC	
	Main Jet / Pilot Jet / Pilot Screw (Turns Out)	112.5 / 27.8 / 2.0	110 / 40 / 2.0	
Needle Jet / Jet Needle-Clip Position	YQ (#318) / 5F263 Fixed	Y2 / Ni-3 Fixed		
Slide Cutaway				
Floot Level / Fuel Level	22.3mm / 2 ~ 4mm	22.3mm / 3 ± 1mm		
Idle rpm	950 ~ 1050 rpm	1000 ± 50 rpm		
Max CO <sub>2</sub> / Max HC <sub>2</sub> / Set CO	7.0% / 500 ppm / 3.0%	7.0% / 500 ppm / 3.0%		

# CARBURETOR

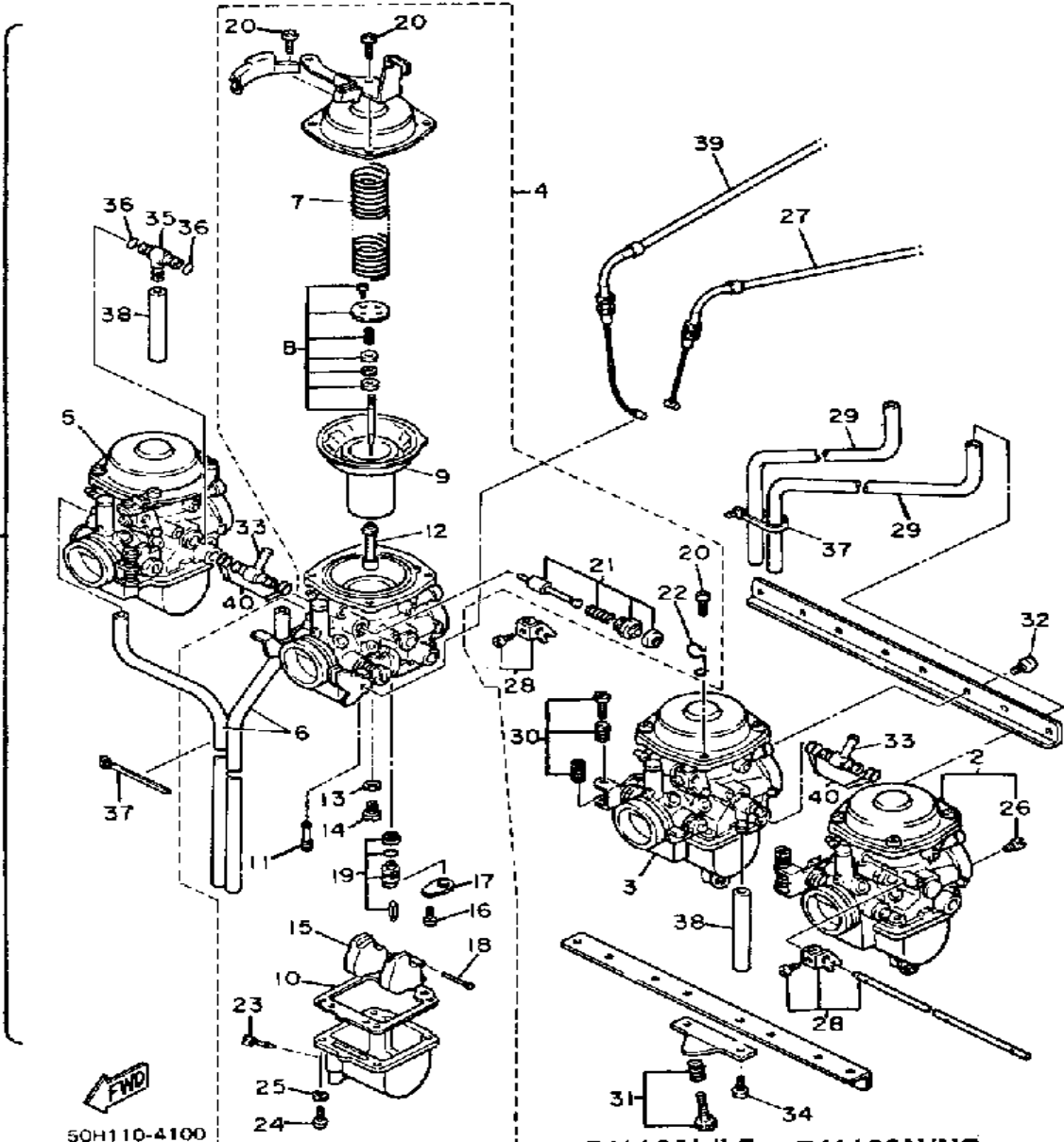


CARBURETOR - Manufacturer / Type / I.D. Number	Mikuni / BS36 / 50H-00	Mikuni / BS36 / 50H-00
Main Jet / Pilot Jet / Pilot Screw (Turns Out)	112.5 / 37.8 / 2.0	110 / 40 / 2.0
Needle Jet / Jet Needle-Clip Position	YQ (#318) / SF263 Fixed	Y2 / NI-3 Fixed
Slide Cutaway	α	α
Float Level / Fuel Level	22.3mm / 2 ~ 4mm	22.3mm / 3 ± 1mm
Id'e rpm	950 ~ 1050 rpm	1000 ± 50 rpm
Max CO <sub>2</sub> / Max HC <sub>2</sub> / Set CO	7.0% / 500 ppm / 3.0%	7.0% / 500 ppm / 3.0%

Ref. No.	Part Number	Description	Qty	Remarks
1	(47M-14900-00-00)	UNAVAILABLE IN PRICE BOOK	1	
	(47M-14900-01-00)	UNAVAILABLE IN PRICE BOOK	1	
2	(47M-14901-01-00)	CARBURETOR ASSEMBLY 1	1	
3	(47M-14902-01-00)	CARBURETOR ASSEMBLY 2	1	
4	(47M-14903-01-00)	CARBURETOR ASSEMBLY 3	1	
5	(47M-14904-01-00)	CARBURETOR ASSEMBLY 4	1	
6	26H-14197-01-00	.. PIPE	2	
7	3G1-14933-00-00	.. SPRING, DIAPHRAGM	4	
8	47M-1490J-00-00	.. NEEDLE SET	4	
	47M-1490J-01-00	.. NEEDLE SET	4	
9	36Y-14940-00-00	.. DIAPHRAGM ASSEMBLY	4	
	50H-14940-00-00	.. DIAPHRAGM ASSEMBLY	4	
10	3XW-14984-00-00	.. GASKET, FLOAT CHMBR	4	
11	4G0-14142-37-A0	.. JET, PILOT #37.5 (4G0-14142-37-00)	4	
12	16H-14941-90-00	.. NOZZLE, MAIN	4	
	50H-14941-92-00	.. NOZZLE MAIN	4	
13	137-14153-00-00	.. WASHER, MAIN JET	4	
14	620-14231-22-A0	.. JET, MAIN #110 (620-14231-22)	4	
	620-1423A-73-00	.. JET, MAIN (#112.5)	4	
15	3H5-14985-00-00	.. FLOAT	4	
16	98511-04006-00	.. SCREW, PAN HEAD (98501-04005)	4	
17	2H0-14146-00-00	.. PLATE	4	
18	537-14186-00-00	.. PIN, FLOAT	4	
19	25G-14107-23-00	.. NEEDLE VALVE SET	4	
20	98580-05010-00	.. SCREW, PAN HEAD	16	
21	36Y-1410A-00-00	.. STARTER SET	4	
22	25J-14937-00-00	.. CLIP	1	

CONTINUED ON NEXT FRAME ➤

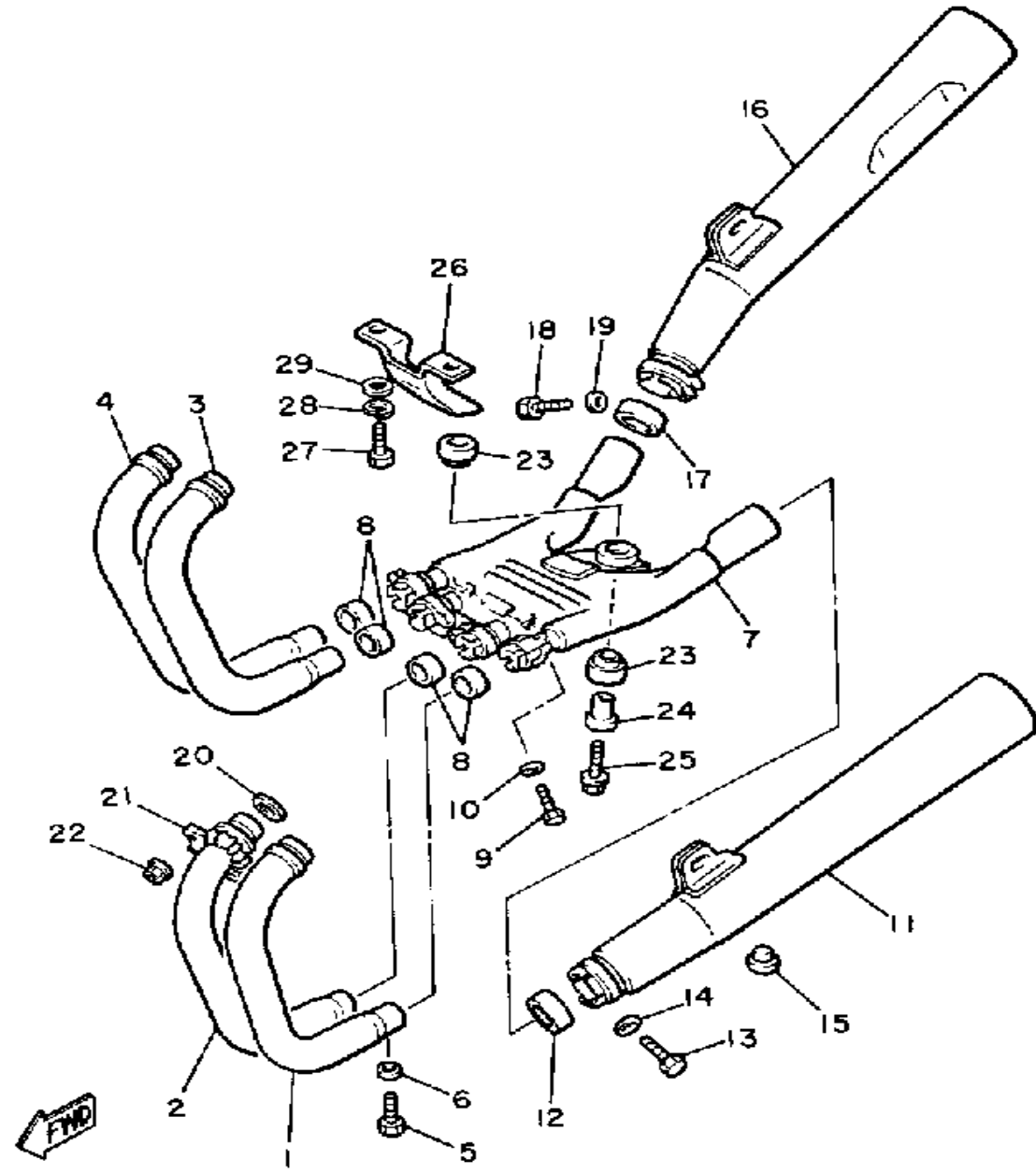
# CARBURETOR



Ref. No.	Part Number	Description	Qty	Remarks
23	12R-14191-00-00	.. PLUG, DRAIN .....	4	
24	98580-05016-00	.. SCREW, PAN HEAD .....	16	
25	92990-05100-00	.. WASHER, SPRING .....	16	
26	3G2-14231-31-00	.. JET, MAIN (#155) .....	4	
	3G2-14231-32-00	.. JET, MAIN (#160) .....	4	
27	36Y-2631J-00-00	. CABLE, THROTTLE 4 .....	1	
28	36Y-1490L-00-00	. STARTER LEVER SET .....	1	
29	26H-14197-00-00	. PIPE .....	2	
30	36Y-1490K-00-00	. STOP SCREW SET .....	3	
31	36Y-14103-00-00	. THROTTLE SCREW SET .....	1	
32	98580-05010-00	. SCREW, PAN HEAD .....	8	
33	(36Y-14988-00-00)	PIPE, STARTER CON .....	2	
34	98503-06014-00	. SCREW, PAN HEAD (92502-06016) .....	8	
35	17A-14251-00-00	. NIPPLE .....	2	
36	822-14147-00-00	. O-RING .....	4	
37	35H-14139-00-00	. CLIP, PIPE .....	2	
38	(50H-14987-00-00)	HOSE .....	2	
39	36Y-26313-00-00	. CABLE, THROTTLE 3 .....	1	
40	36Y-14147-00-00	. O-RING .....	8	

CARBURETOR - Manufacturer / Type / I.D. Number	FJ1100L/LC		FJ1100N/NC	
	Main Jet / Pilot Jet / Pilot Screw (Turns Out)	112.5 / 27.8 / 2.0	110 / 40 / 2.0	
Needle Jet / Jet Needle-Clip Position	YQ (#318) / 5F263 Fixed	Y2 / Ni-3 Fixed		
Slide Cutaway				
Floot Level / Fuel Level	22.3mm / 2 ~ 4mm	22.3mm / 3 ± 1mm		
Id e rpm	950 ~ 1050 rpm	1000 ± 50 rpm		
Max CO <sub>e</sub> / Max HC <sub>e</sub> / Set CO	7.0% / 500 ppm / 3.0%	7.0% / 500 ppm / 3.0%		

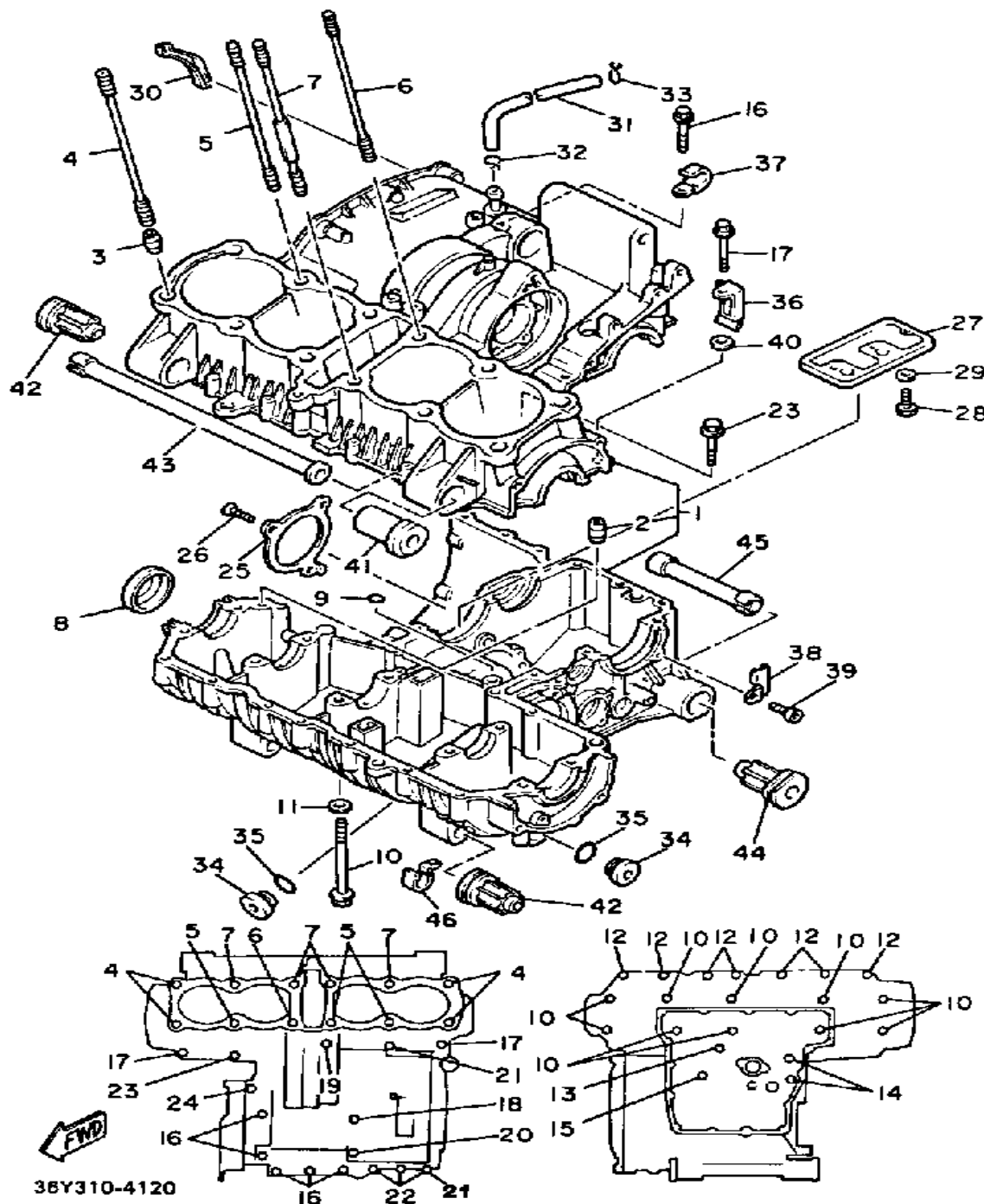
# EXHAUST



36Y310-4110

Ref. No.	Part Number	Description	Qty	Remarks
1	36Y-14611-00-00	PIPE, EXHAUST L	1	
2	36Y-14621-00-00	PIPE, EXHAUST R	1	
3	36Y-14631-00-00	PIPE, EXHAUST 3	1	
4	36Y-14641-00-00	PIPE, EXHAUST 4	1	
5	90101-06576-00	BOLT	4	
6	92906-06600-00	WASHER	4	
7	36Y-14615-00-00	JOINT, EXHAUST L	1	
8	36Y-14755-01-00	GASKET, SILENCER	4	
9	97313-08020-00	BOLT, HEXAGON	4	
10	92901-08600-00	WASHER	4	
11	47M-14711-00-00	MUFFLER L	1	
12	36Y-14714-00-00	GASKET, MUFFLER	1	
13	97016-08025-00	BOLT	1	
14	92906-08600-00	WASHER	1	
15	371-27114-00-00	STOPPER, MAIN STAND	1	
16	47M-14721-00-00	MUFFLER R	1	
17	36Y-14714-00-00	GASKET, MUFFLER	1	
18	97016-08025-00	BOLT	1	
19	92906-08600-00	WASHER	1	
20	4BE-14613-00-00	GASKET, EXHAUST PIPE	4	
21	36Y-14612-00-00	NUT, RING	4	
22	90179-08345-00	NUT, SPEC'L SHAPE	8	
23	36Y-14747-00-00	DAMPER, MUFFLER	2	
24	4G0-14638-00-00	COLLAR	1	
25	95811-10040-00	BOLT, FLANGE (95801-10040)	1	
26	36Y-14791-00-00	STAY, MUFFLER	1	
27	97013-08025-00	BOLT	2	
28	92990-08100-00	WASHER	2	
29	92901-08600-00	WASHER	2	

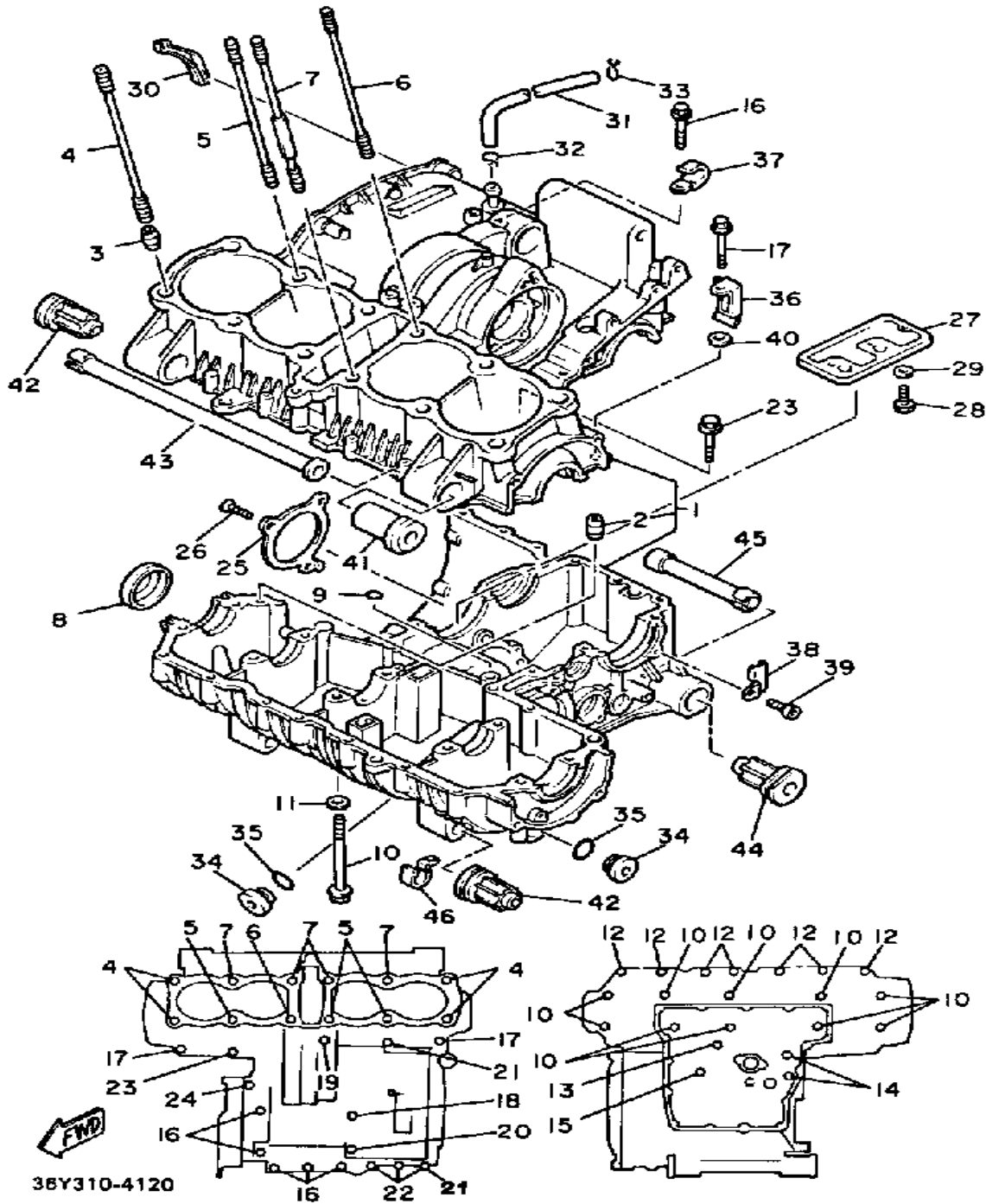
# CRANKCASE



Ref. No.	Part Number	Description	Qty	Remarks
1	36Y-15100-03-00	CRANKCASE ASSEMBLY (36Y-15100-01)SEE NOTE	1	
	36Y-15100-03-00	CRANKCASE ASSEMBLY (36Y-15100-01)SEE NOTE	1	50H-0003665 47M-0001495
2	99510-12016-00	. PIN, DOWEL	2	
3	99530-14016-00	PIN, DOWEL	2	
4	90116-10441-00	BOLT, STUD	4	
5	90116-10442-00	BOLT, STUD	3	
6	90116-10443-00	BOLT, STUD	1	
7	3CV-11363-00-00	BOLT, CYLINDER HOLDING 3	4	
8	4H7-15167-10-00	PLUG, BLIND 1	1	
9	93210-07438-00	O-RING	1	
10	95816-08100-00	BOLT, FLANGE	10	
11	90201-094G1-00	WASHER, PLATE	7	
12	95816-08045-00	BOLT, FLANGE	7	
13	95816-06110-00	BOLT, FLANGE	1	
14	95816-06095-00	BOLT, FLANGE	2	
15	95816-06040-00	BOLT	1	
16	95816-08055-00	BOLT, FLANGE (91006-08055-00)	5	
17	95816-06050-00	BOLT, FLANGE	2	
18	95816-06125-00	BOLT, FLANGE	1	
19	90105-06338-00	BOLT, WASHER BASED	1	
20	95816-06070-00	BOLT, FLANGE	1	
21	95816-06065-00	BOLT, FLANGE	1	SEE NOTE
	95816-06065-00	BOLT, FLANGE	2	SEE NOTE
22	95816-06055-00	BOLT, FLANGE	2	
	95816-06055-00	BOLT, FLANGE	3	
23	95816-06040-00	BOLT	1	

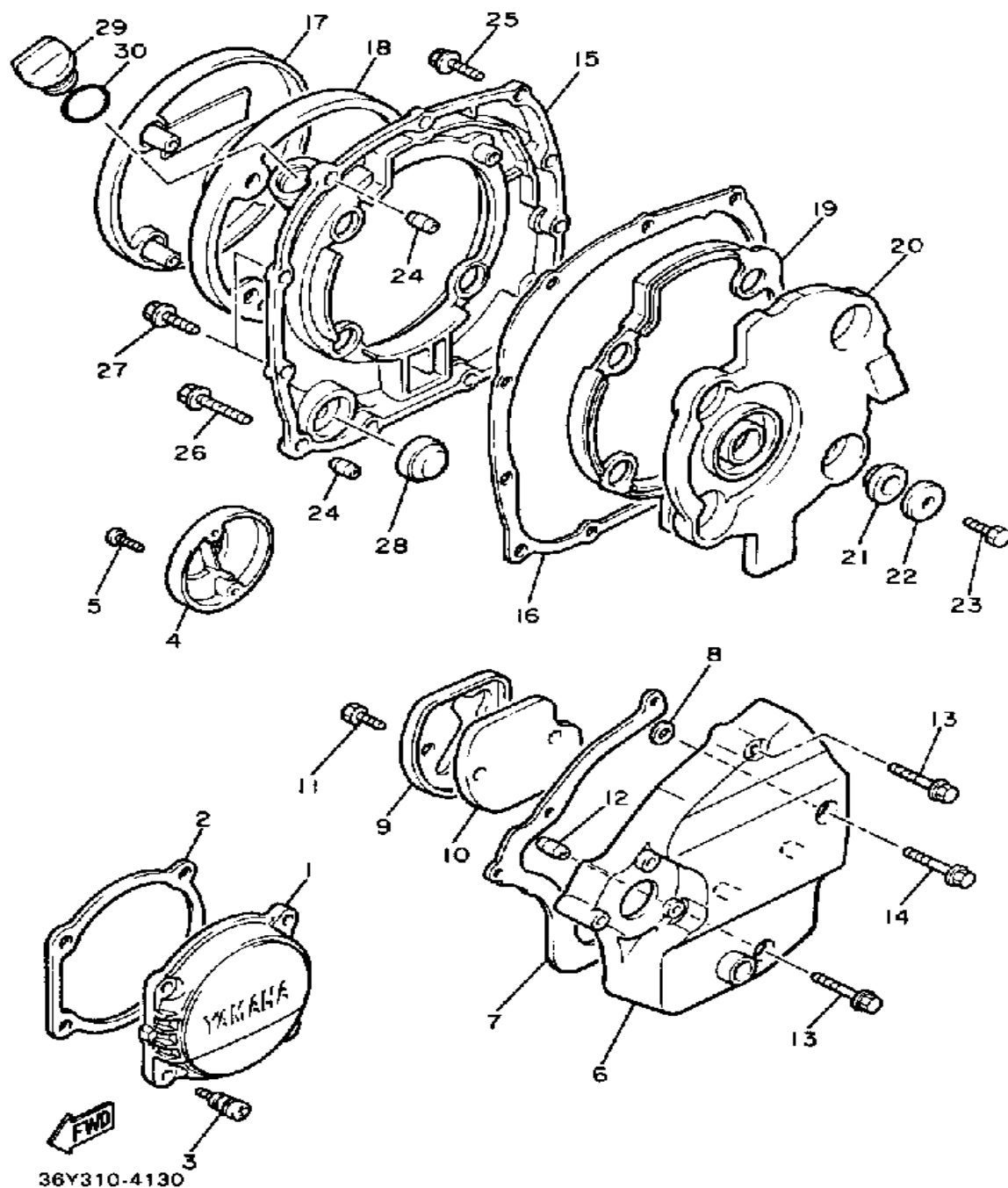
CONTINUED ON NEXT FRAME ►

# CRANKCASE



Ref. No.	Part Number	Description	Qty	Remarks
24	95816-06030-00	BOLT, FLANGE	1	
25	36Y-15383-01-00	PLATE, BRNG COVER	1	
26	90151-06025-00	SCREW, COUNTERSUNK	3	
27	36Y-15412-00-00	COVER, OIL PUMP	1	
28	97313-05010-00	BOLT, HEXAGON	3	
29	92901-05600-00	WASHER, PLATE	3	
30	36Y-15365-00-00	GROMMET	1	
31	36Y-11166-00-00	PIPE, BREATHER 1	1	
32	90467-14015-00	CLIP	1	
33	90467-14015-00	CLIP	1	
34	4H7-15189-00-00	PLUG	3	
35	93210-20573-00	O-RING	3	
36	90465-10251-00	CLAMP	1	
37	(90465-08252-00)	CLAMP	2	
38	90465-08253-00	CLAMP	1	
39	91316-06010-00	BOLT, SOCKET HEAD	1	
40	92906-06600-00	WASHER	1	
41	90387-100L4-00	COLLAR	1	
42	36Y-15336-00-00	DAMPER, ENG MOUNT 3 (4H7-15326-00)	3	
43	36Y-15317-00-00	SPACER, ENG MOUNT	1	
44	36Y-15326-00-00	DAMPER, ENGINE MOUNT 2 (2H7-15326-01-00)	2	
45	36Y-15327-00-00	SPACER, ENG MOUNT	1	
46	90462-10145-00	CLAMP	1	

# CRANKCASE COVER

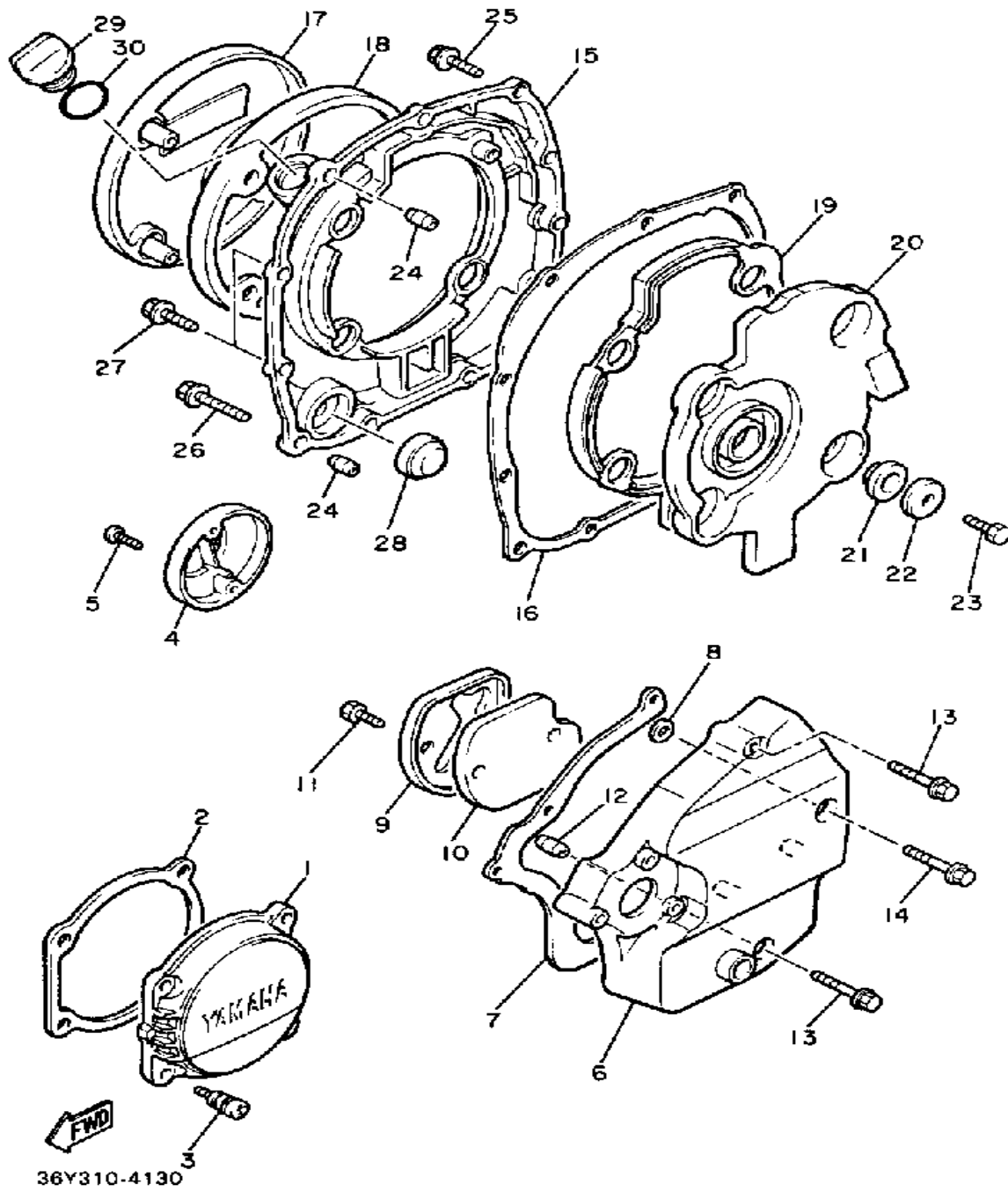


Ref. No.	Part Number	Description	Qty	Remarks
1	36Y-15416-00-00	COVER, OIL PUMP	1	
2	33M-15449-00-00	RING, RUBBER	1	
3	33M-15481-10-00	BOLT 1	4	
4	36Y-15426-00-00	COVER, OIL PUMP R	1	
5	90154-05026-00	SCREW, BINDING	2	
6	36Y-15411-02-00	COVER, CRANKCASE L	1	
7	4CR-15451-00-00	GASKET, CRCS COVERCRANKCASE COVER 1	1	
8	1UF-15467-00-00	GASKET	1	
9	36Y-15427-00-00	COVER, CAP 2	1	
10	36Y-15316-00-00	DAMPER, ENG MOUNT 1MOUNT 1	1	
11	90153-06055-00	SCREW, HEXAGON	2	
12	99530-10014-00	PIN, DOWEL	1	
13	95026-06040-00	BOLT, FLANGE	2	
14	95026-06050-00	BOLT, FLANGE	1	
15	99999-02157-00	COVER, CRANKCASE R	1	
16	36Y-15461-00-00	GASKET, CRCS CVR 2COVER 2	1	
17	36Y-15417-01-00	COVER, CAP	1	
18	36Y-15449-00-00	RING, RUBBER	1	
19	36Y-15367-00-00	GROMMET	1	
20	36Y-15346-00-00	BREATHER 1	1	
21	4H7-15486-00-00	GROMMET	4	
22	90209-06096-00	WASHER	4	
23	91316-06012-00	BOLT, SOCKET HEAD	4	
24	99530-10014-00	PIN, DOWEL	2	
25	95026-06020-00	BOLT, FLANGE	7	
26	95026-06035-00	BOLT, FLANGE	2	
27	95026-06025-00	BOLT, FLANGE	2	

CONTINUED ON NEXT FRAME ►

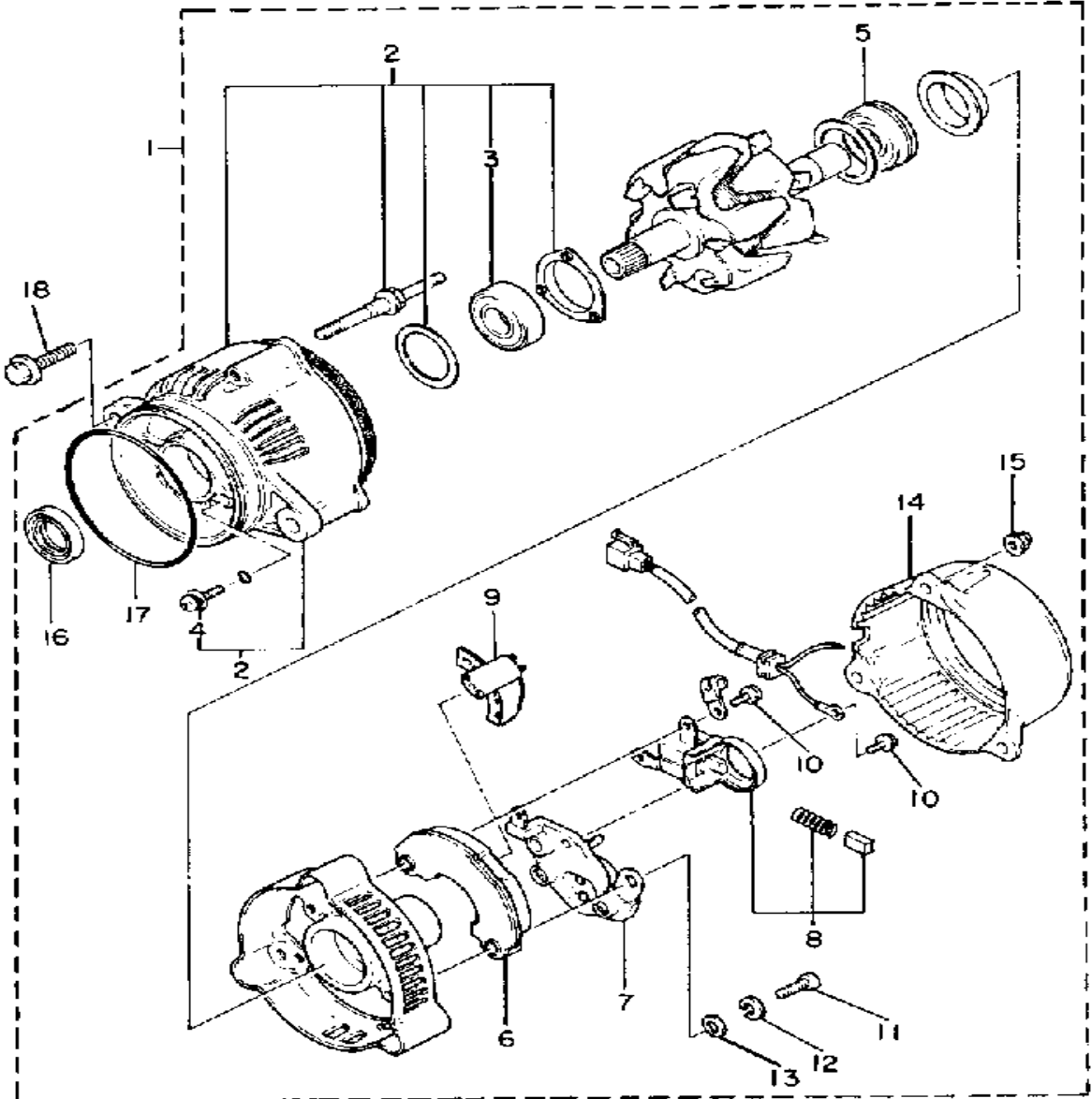


# CRANKCASE COVER



Ref. No.	Part Number	Description	Qty	Remarks
28	2H7-15361-00-00	GAUGE, LEVEL .....	1	
29	2H9-15363-00-00	PLUG, OIL .....	1	
30	93210-27778-00	O-RING .....	1	

# GENERATOR

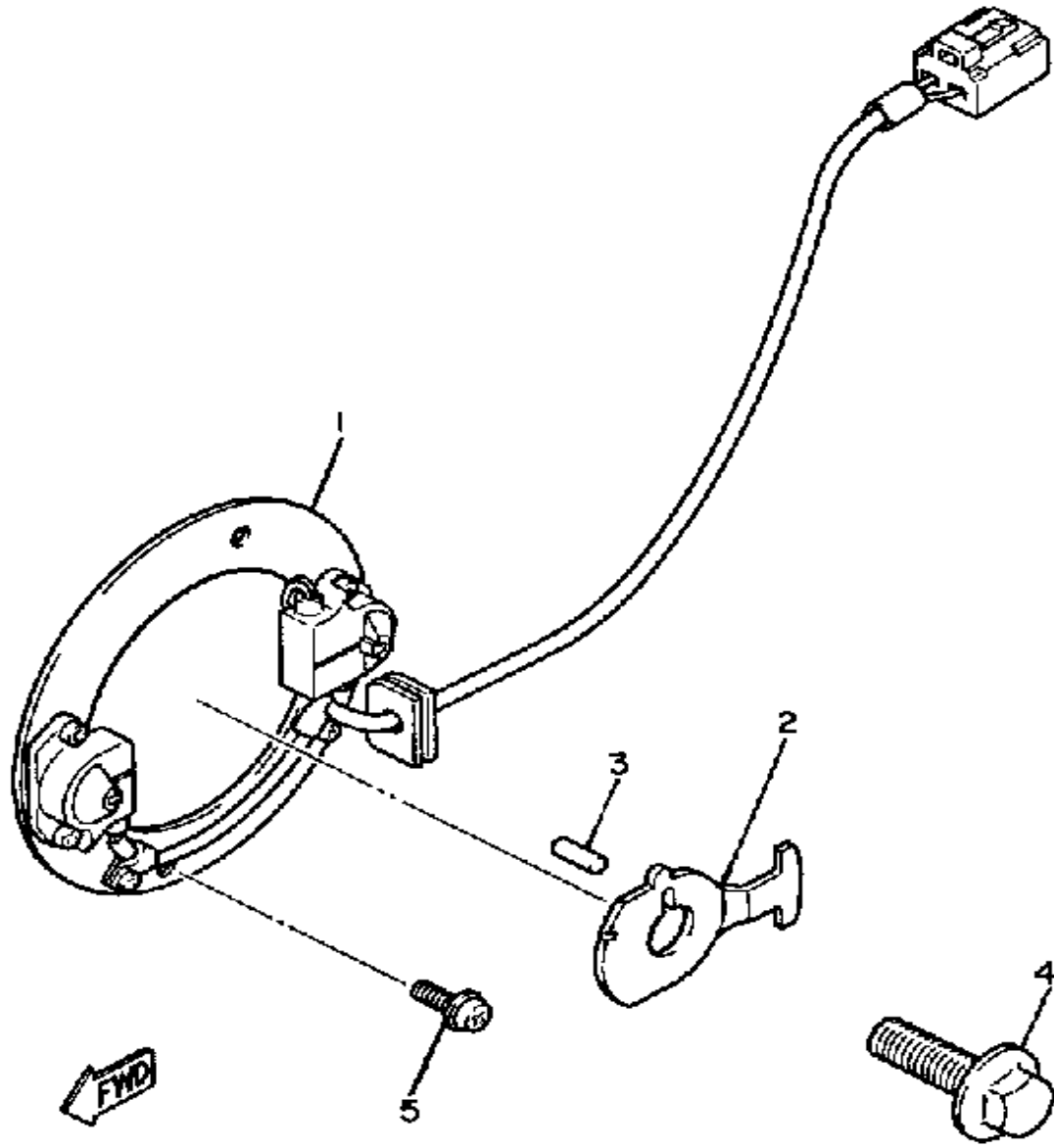


Ref. No.	Part Number	Description	Qty	Remarks
1	2GH-81600-55-00	A.C. GENERATOR ASSEMBLY	1	
2	36Y-81634-50-00	. STATOR ASSEMBLY .....	1	
3	36Y-81643-30-00	.. BEARING .....	1	
4	2KT-81645-50-00	.. SCREW .....	3	
5	36Y-81643-50-00	. BEARING .....	1	
6	36Y-81970-50-00	. RECTIFIER ASSEMBLY .....	1	
7	36Y-81910-50-00	. VOLTAGE REGULATOR ASSEMBLY .....	1	
8	36Y-81619-50-00	. BRUSH HOLDER ASSEMBLY	1	
9	36Y-81972-50-00	. COVER, RECTIFIER .....	1	
10	36Y-81645-30-00	. SCREW .....	2	
11	98501-05018-00	. SCREW, PAN HEAD .....	3	
12	92990-05100-00	. WASHER, SPRING .....	3	
13	92901-05600-00	. WASHER, PLATE .....	3	
14	1TV-81604-50-00	. COVER ASSEMBLY .....	1	
15	2KT-81675-50-00	. NUT .....	3	
16	36Y-81638-50-00	. OIL SEAL .....	1	
17	36Y-81642-50-00	. O-RING .....	1	
18	95026-08030-00	BOLT, FLANGE .....	2	



36Y310-4380

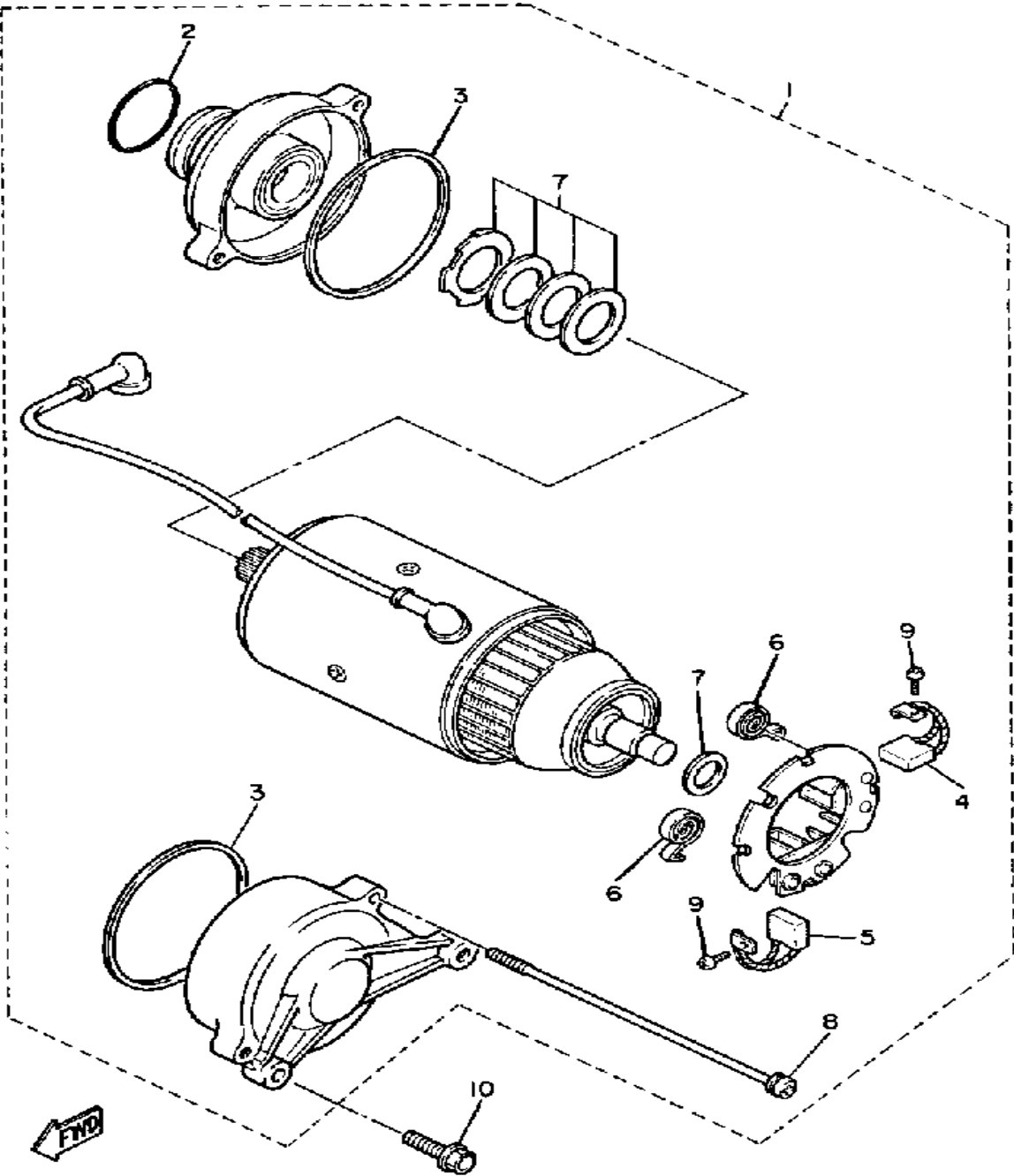
# PICKUP COIL-GOVERNOR



Ref. No.	Part Number	Description	Qty	Remarks
1	36Y-81671-10-00	. BASE, PICKUP .....	1	
2	36Y-81673-10-00	ROTOR .....	1	
3	93604-08071-00	PIN, DOWEL .....	1	
4	90105-10445-00	BOLT, WASHER BASED .....	1	
5	90159-06107-00	SCREW, WITH WASHER .....	2	

36Y310-4390

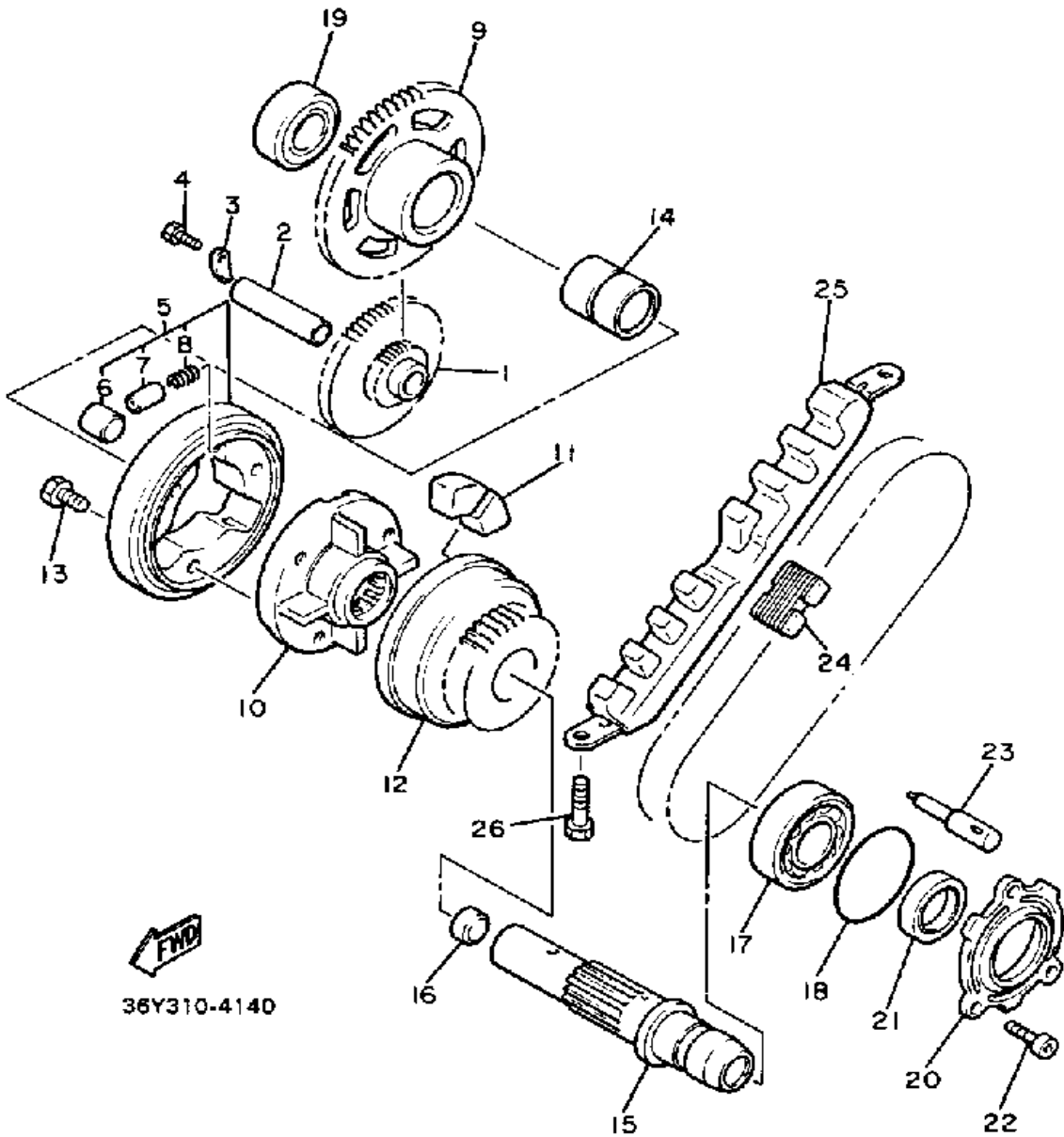
# STARTING MOTOR



36Y310-4400

Ref. No.	Part Number	Description	Qty	Remarks
1	36Y-81800-10-00	STARTING MOTOR ASSEMBLY	1	
2	26H-81847-00-00	. O-RING	1	
3	371-81847-20-00	. O-RING	2	
4	371-81811-20-00	. BRUSH 1	1	
5	371-81812-20-00	. BRUSH 2	1	
6	371-81813-20-00	. SPRING, BRUSH	2	
7	36Y-81809-00-00	. WASHER KIT	1	
8	36Y-81826-00-00	. BOLT	2	
9	98580-03008-00	. SCREW, PAN HEAD	2	
10	95026-06025-00	BOLT, FLANGE	2	

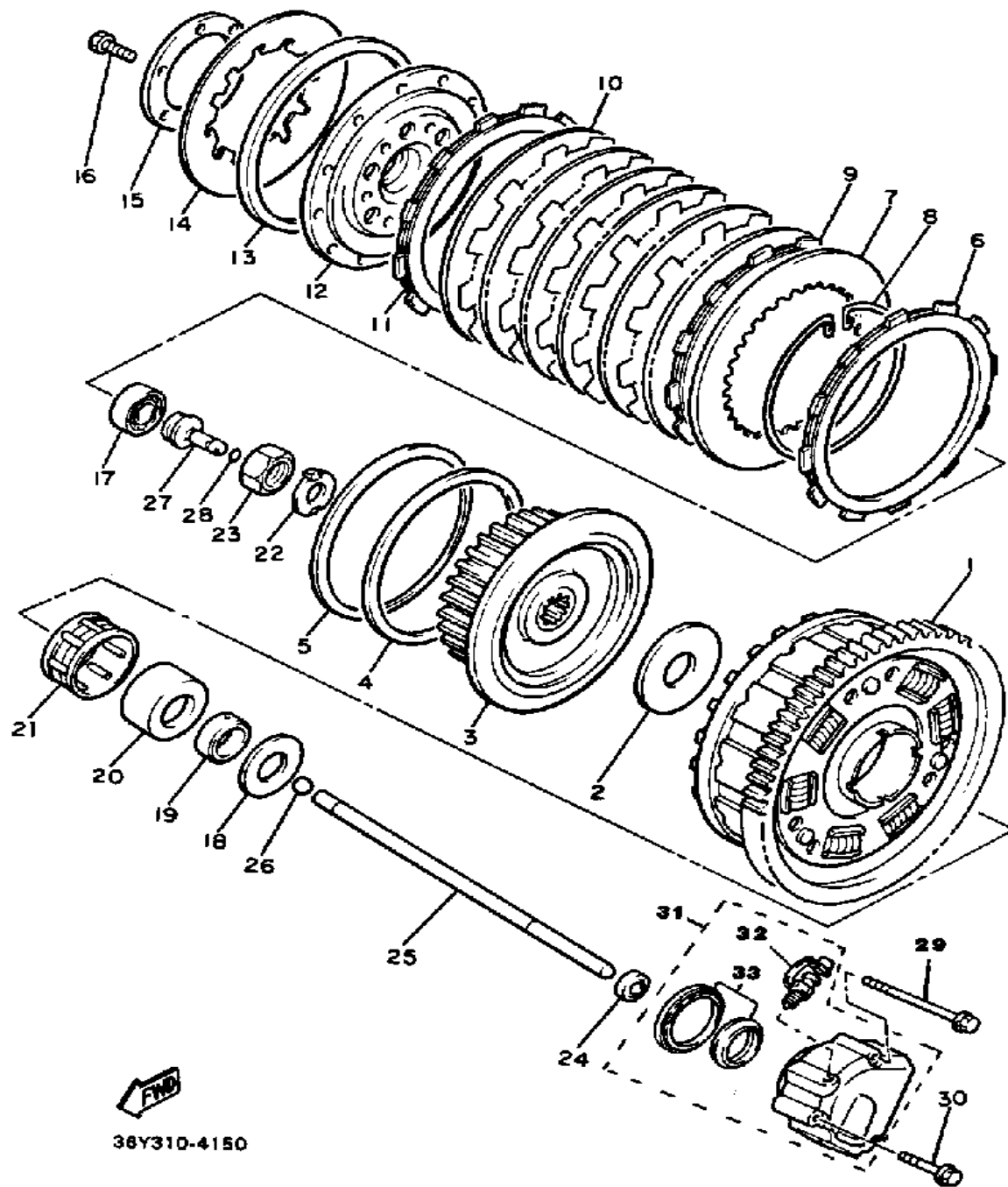
# STARTER



36Y310-4140

Ref. No.	Part Number	Description	Qty	Remarks
1	36Y-15512-01-00	GEAR, IDLER 1	1	
2	36Y-15521-01-00	SHAFT 1	1	
3	2H7-15531-00-00	PLATE, STOPPER	1	
4	97013-06012-00	BOLT	1	
5	36Y-15580-01-00	STR CLUTCH OTR ASSEMBLY OUTER ASSEMBLY	1	
6	93615-17125-00	. PIN, DOWEL	3	
7	1J7-15583-01-00	. CAP, STARTER CLUTCH SPRING	3	
8	90501-04503-00	. SPRING, COMPRESSION	3	
9	36Y-15517-01-00	GEAR, IDLER 2	1	
10	12R-15524-00-00	WHEEL, STARTER	1	
11	4H7-16155-01-00	ABSORBER 1	4	
12	36Y-15519-00-00	SPROCKET, STARTER 2	1	
13	91316-08016-00	BOLT, SOCKET HEAD	3	
14	90387-201L2-00	COLLAR	1	
15	36Y-15522-01-00	SHAFT 2	1	
16	90331-15039-00	PLUG	1	
17	93306-20545-00	BEARING	1	
18	93210-47440-00	O-RING	1	
19	93306-00426-00	BEARING	1	
20	36Y-15163-00-00	HOUSING, BEARING 1	1	
21	93102-25253-00	OIL SEAL	1	
22	91316-06016-00	BOLT, SOCKET HEAD	3	
23	36Y-13454-00-00	NOZZLE	1	
24	36Y-11456-00-00	CHAIN, PRIMARY	1	
25	36Y-11474-00-00	GUIDE, UPPER	1	
26	97011-06016-00	BOLT	2	

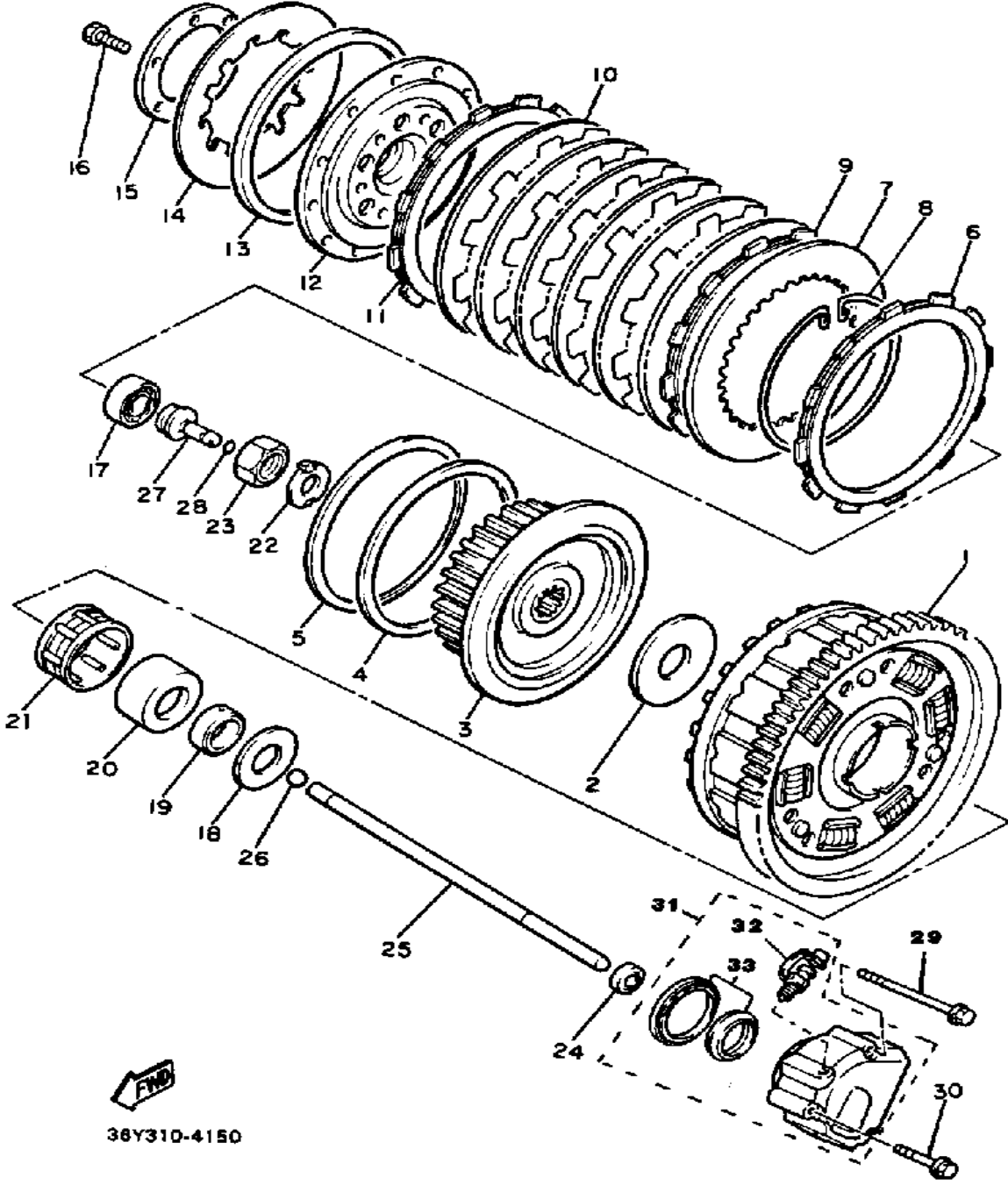
# CLUTCH



Ref. No.	Part Number	Description	Qty	Remarks
1	1TX-16150-00-00	PRI DRVN GEAR	1	
2	36Y-16154-00-00	PLATE, THRUST 1	1	
3	36Y-16371-00-00	BOSS, CLUTCH	1	
4	36Y-16384-00-00	PLATE, SEAT	1	
5	36Y-16383-00-00	SPRING, CLUTCH BOSS	1	
6	36Y-16331-00-00	PLATE, FRICTION 2	1	
7	2H7-16325-00-00	PLATE, CLUTCH 2	1	
8	2H7-16385-00-00	RING, CLUTCH BOSS	1	
9	341-16321-13-00	PLATE, FRICTION	6	
10	2H7-16325-00-00	PLATE, CLUTCH 2	6	
11	36Y-16331-00-00	PLATE, FRICTION 2	1	
12	36Y-16351-00-00	PLATE, PRESSURE 1	1	
13	36Y-16335-00-00	HOUSING, SPRING	1	
14	36Y-16334-00-00	SPRING, CLUTCH 2	1	
15	1TX-16352-00-00	PLATE, PRESSURE 2	1	
16	97313-06016-00	BOLT, HEXAGON	6	
17	93306-00315-00	BEARING (6003SH2C4)	1	
18	90201-286H8-00	WASHER, PLATE	1	
19	90387-284K1-00	COLLAR	1	
20	36Y-16181-00-00	SPACER 1	1	
21	93310-350M3-00	BEARING, CYLINDER.# 0	1	
22	90215-25218-00	WASHER, LOCK	1	
23	90170-20323-00	NUT	1	
24	93109-08061-00	OIL SEAL	1	
25	36Y-16357-00-00	ROD, PUSH 2	1	
26	93511-32027-00	BALL	1	
27	36Y-16356-00-00	ROD, PUSH 1	1	
28	93210-06632-00	O-RING	1	
29	90105-06306-00	BOLT, WASHER BASED	2	

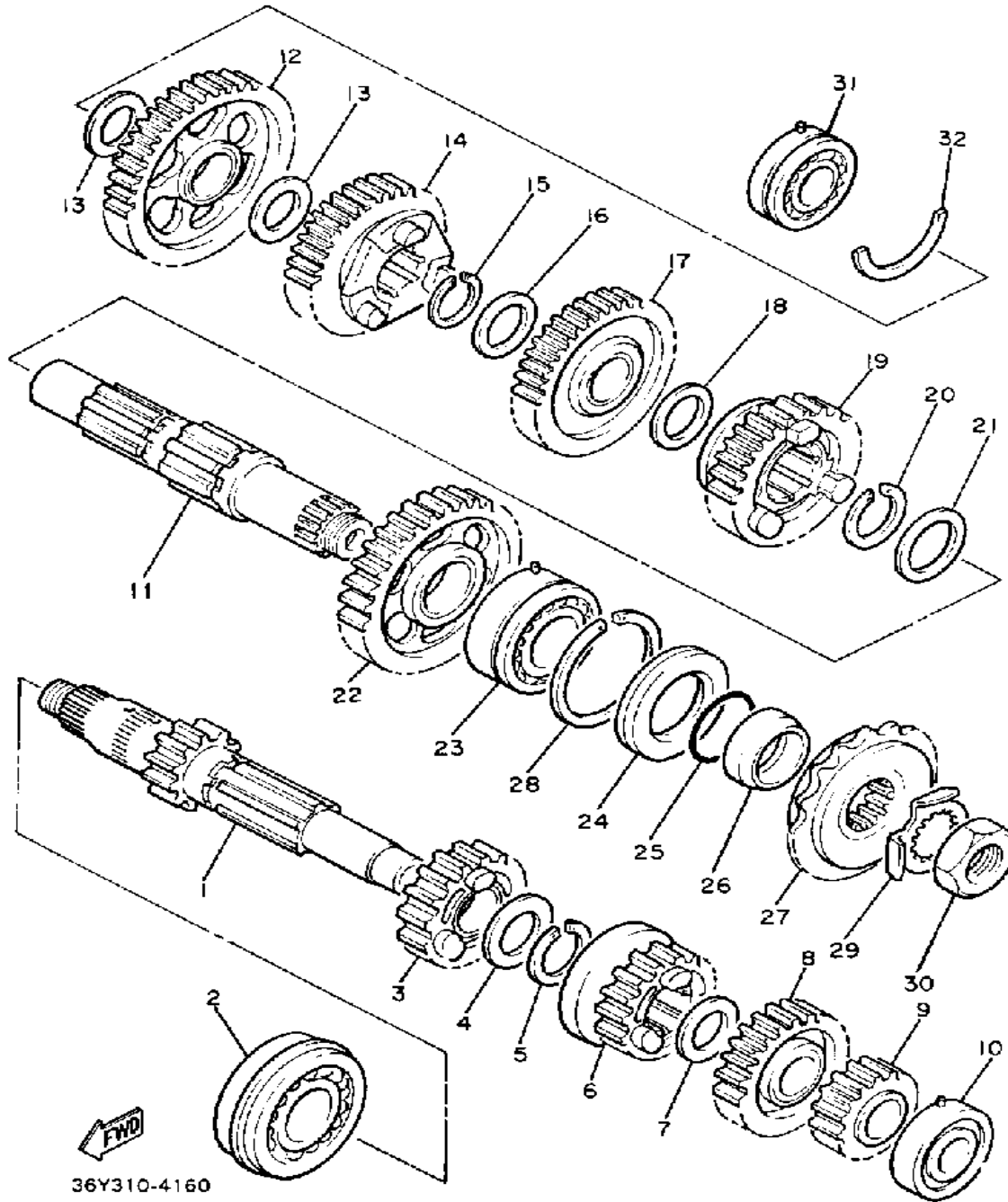
CONTINUED ON NEXT FRAME ►

# CLUTCH



Ref. No.	Part Number	Description	Qty	Remarks
30	95026-06040-00	BOLT, FLANGE .....	1	
31	36Y-16381-10-00	PUSH LEVER COMP. ....	1	
32	36Y-W0048-00-00	. BLEED SCREW KIT .....	1	
33	26H-W0098-00-00	. PUSH LEVER SEAL KIT .....	1	

# TRANSMISSION

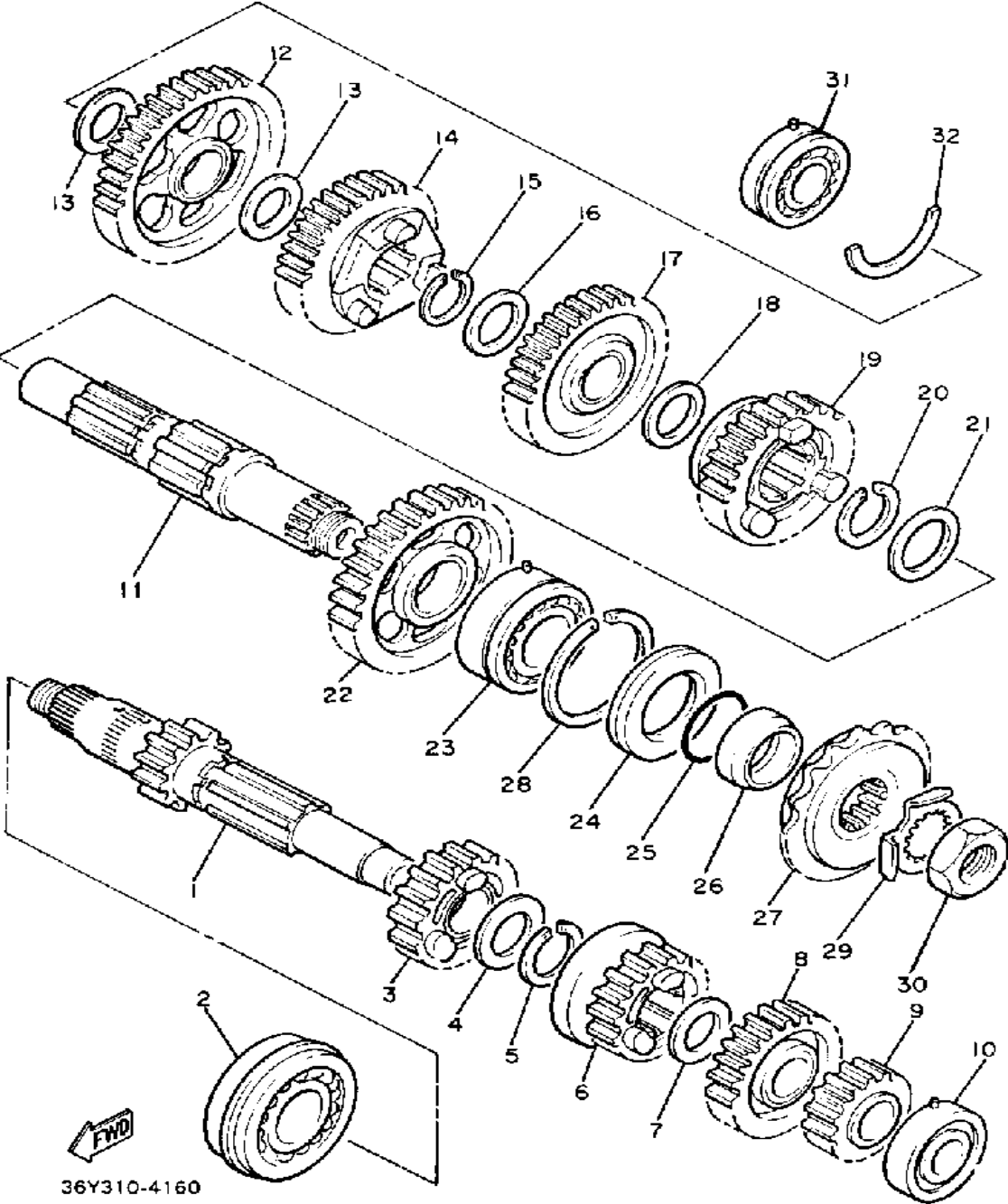


Ref. No.	Part Number	Description	Qty	Remarks
1	36Y-17411-00-00	AXLE, MAIN	1	
2	93306-36401-00	BEARING	1	
3	36Y-17141-00-00	GEAR, 4TH PINION	1	
4	90209-25196-00	WASHER	1	
5	93440-28062-00	CIRCLIP	1	
6	1TX-17131-00-00	GEAR, 3RD PINION	1	
7	90201-226H9-00	WASHER, PLATE	1	
8	36Y-17151-00-00	GEAR, 5TH PINION	1	
9	3CV-17121-00-00	GEAR, 2ND PINION	1	
10	93306-30434-00	BEARING	1	
11	36Y-17421-00-00	AXLE, DRIVE	1	
12	36Y-17211-00-00	GEAR, 1ST WHEEL (40T)	1	
13	90201-257H0-00	WASHER, PLATE	2	
14	36Y-17241-00-00	GEAR, 4TH WHEEL	1	
15	93440-30077-00	CIRCLIP	1	
16	90209-27192-00	WASHER	1	
17	99999-02118-00	GEAR, 3RD WHEEL	1	
18	90201-307H1-00	WASHER, PLATE	1	
19	36Y-17251-00-00	GEAR, 5TH WHEEL (29T)	1	
20	93440-34025-00	CIRCLIP	1	
21	90209-32231-00	WASHER	1	
22	36Y-17221-00-00	GEAR, 2ND WHEEL	1	
23	93305-20605-00	BEARING	1	
24	93102-40330-00	OIL SEAL	1	
25	93210-30660-00	O-RING	1	
26	90387-304K7-00	COLLAR	1	
27	36Y-17460-00-00	SPROCKET, DRIVE (17T) (36Y-17461-70)	1	
28	93440-62032-00	CIRCLIP, OUTER	1	

CONTINUED ON NEXT FRAME ►



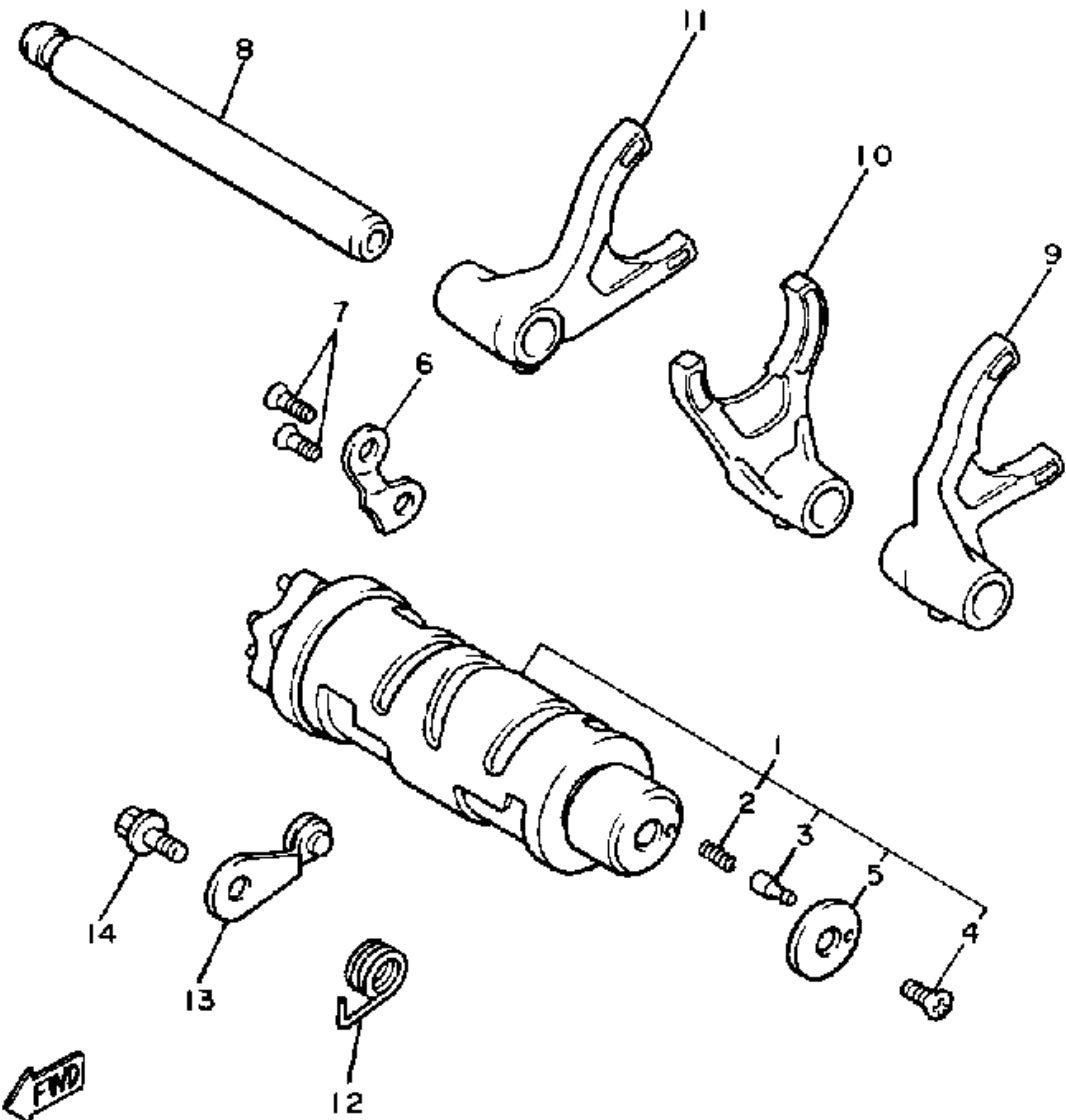
# TRANSMISSION



Ref. No.	Part Number	Description	Qty	Remarks
29	90215-26241-00	WASHER, LOCK .....	1	
30	90179-22063-00	NUT .....	1	
31	93306-20561-00	BEARING .....	1	
32	93440-52118-00	CIRCLIP .....	1	

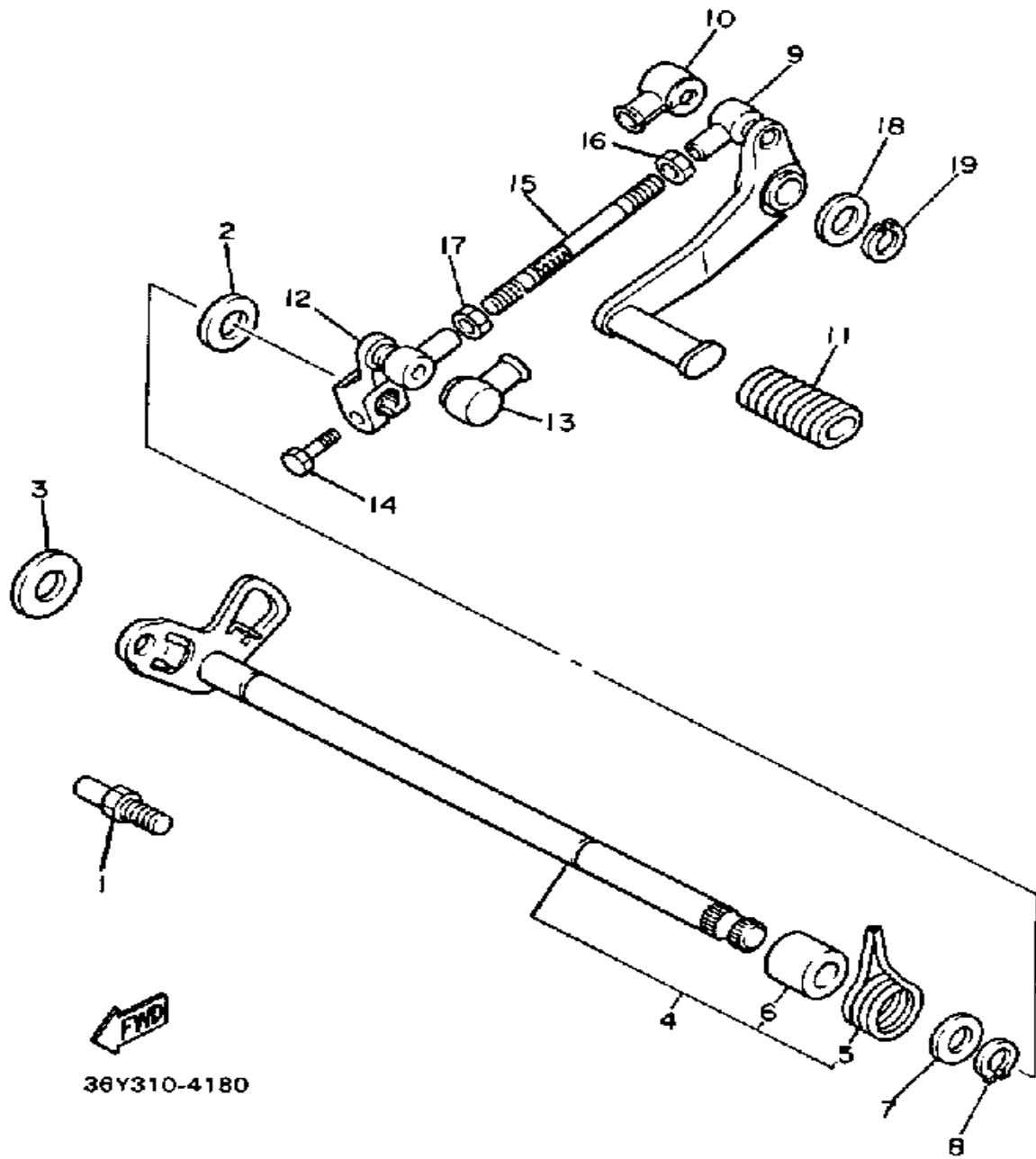
# SHIFT CAM-FORK

Ref. No.	Part Number	Description	Qty	Remarks
1	36Y-18540-01-00	SHIFT CAM ASSEMBLY	1	
2	90501-06022-00	. SPRING, COMPRESSION	1	
3	278-18542-00-00	. POINT, NEUTRAL	1	
4	98701-05012-00	. SCREW, FLAT HEAD	1	
5	278-18566-00-00	. PLATE, SIDE 2	1	
6	36Y-18562-00-00	PLATE, STOPPER 2	1	
7	98701-06014-00	SCREW, FLAT HEAD	2	
8	4G0-18531-00-00	BAR, SHIF FRK GDE 1	1	
9	1TX-18511-00-00	FORK, SHIFT 1	1	
10	1TX-18512-00-00	FORK, SHIFT 2	1	
11	1TX-18513-00-00	FORK, SHIFT 3	1	
12	90508-26462-00	SPRING, TORSION	1	
13	36Y-18140-00-00	STOPPER LEVER ASSEMBLY	1	
14	50W-21631-00-00	BOLT 1	1	



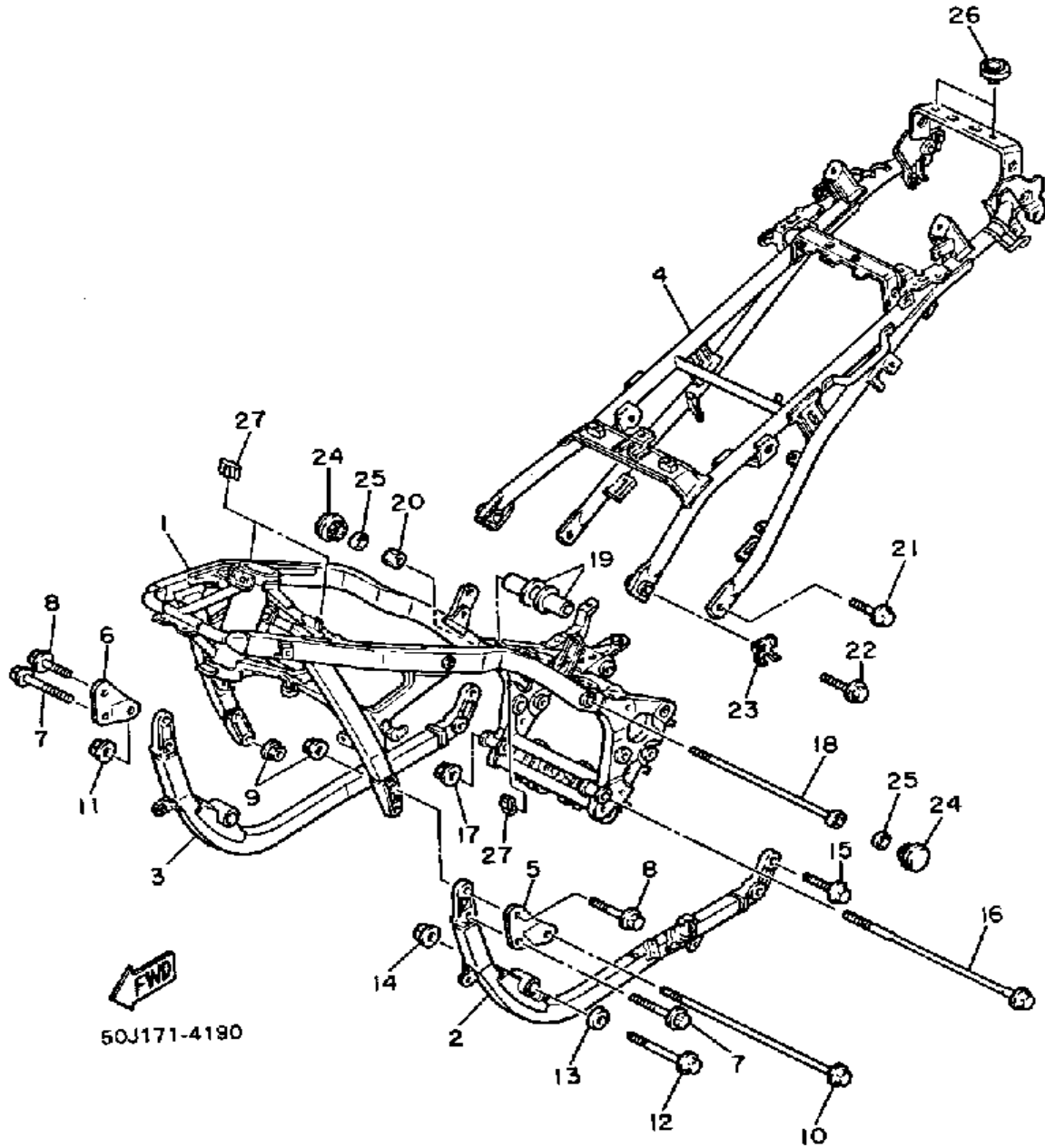
36Y310-4170

# SHIFT SHAFT



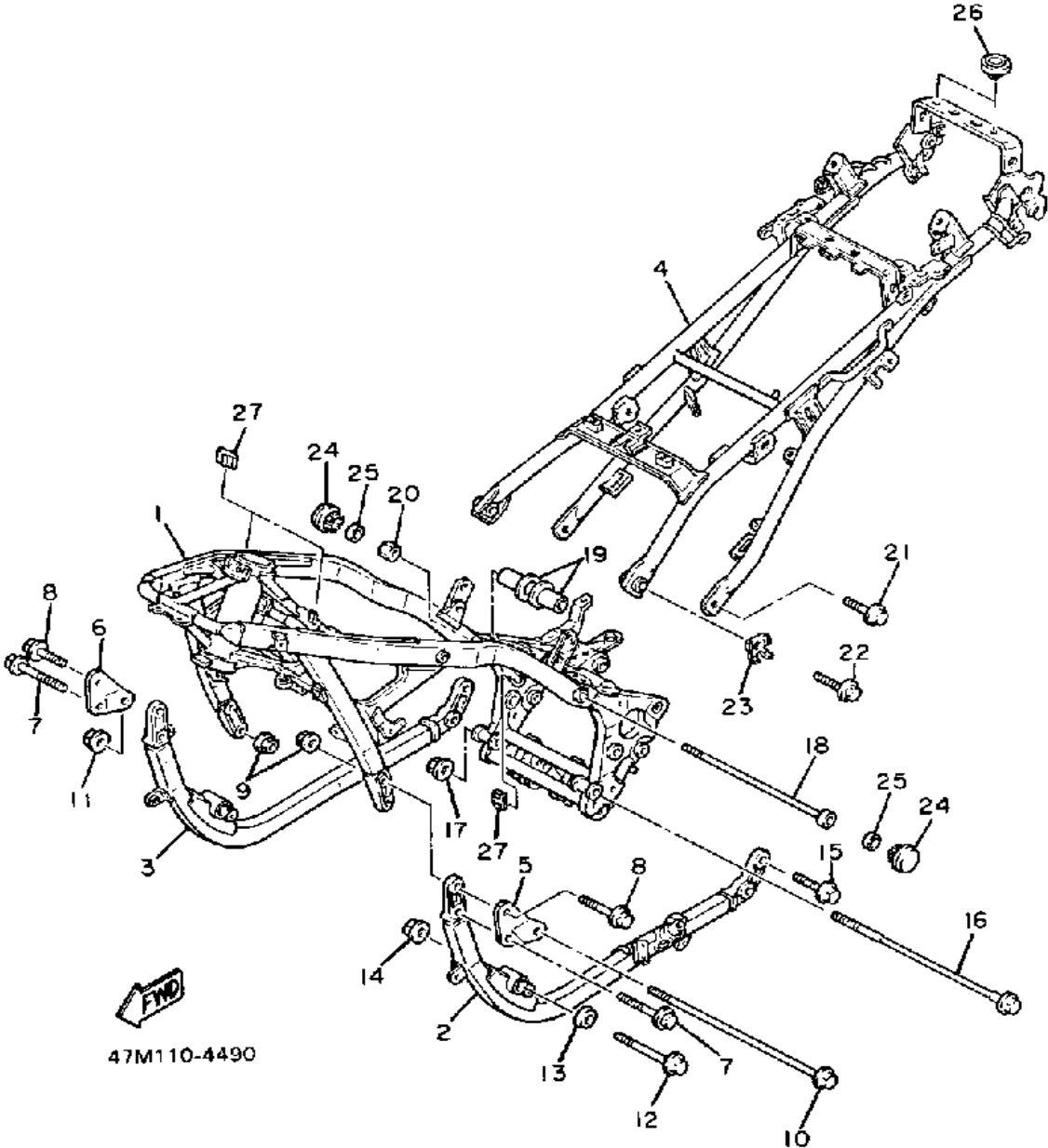
Ref. No.	Part Number	Description	Qty	Remarks
1	4G0-18127-00-00	STOPPER, SCREW .....	1	
2	93102-12321-00	OIL SEAL, SD-TYPE .....	1	
3	90201-12588-00	WASHER, PLATE .....	1	
4	36Y-18101-01-00	SHIFT SHAFT ASSEMBLY 1 ..	1	
5	90508-32682-00	. SPRING, TORSION .....	1	
6	90387-114K8-00	. COLLAR .....	1	
7	90201-12575-00	WASHER, PLATE .....	1	
8	99006-10600-00	CIRCLIP .....	1	
9	36Y-18111-00-00	PEDAL, SHIFT .....	1	
10	2H9-18154-00-00	COVER, DUST .....	1	
11	132-18113-01-00	COVER, SHIFT PEDAL .....	1	
12	1TX-18112-00-00	ARM, SHIFT .....	1	
13	2H9-18154-00-00	COVER, DUST .....	1	
14	97011-06020-00	BOLT .....	1	
15	36Y-18115-00-00	ROD, SHIFT .....	1	
16	90170-06228-00	NUT (COUNTER CLOCKWISE)	1	
17	95380-06700-00	NUT .....	1	
18	90201-124E4-00	WASHER, PLATE .....	1	
19	99009-12400-00	CIRCLIP .....	1	

# FRAME FJ1100L - N



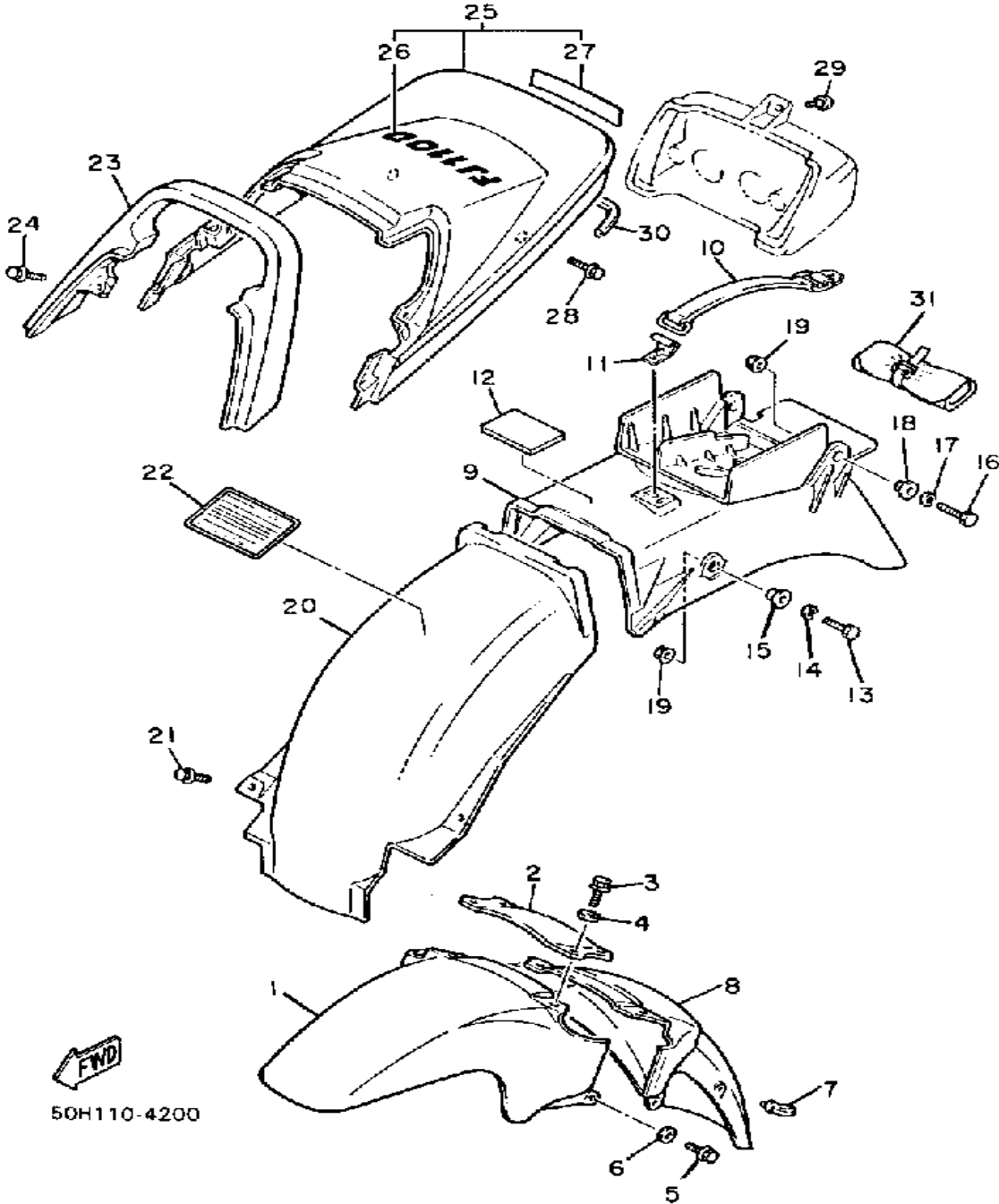
Ref. No.	Part Number	Description	Qty	Remarks
1	50H-21110-00-35	FRAME (50H-21110-00-Y4) . . . .	1	METALLIC SILVER
2	47M-21140-00-35	TUBE, DOWN (47M-21140-00-Y4) . . . . .	1	METALLIC SILVER
3	47M-21150-00-35	DOWN TUBE COMP.22 (47M-21150-00-Y4) . . . . .	1	METALLIC SILVER
4	36Y-21190-00-33	FRAME, REAR . . . . .	1	YAMAHA BLACK
5	36Y-21315-00-00	STAY, ENGINE 2 . . . . .	1	
6	36Y-21316-00-00	STAY, ENGINE 3 . . . . .	1	
7	90105-08310-00	BOLT, WASHER BASED . . . . .	2	
8	90105-08311-00	BOLT, WASHER BASED . . . . .	2	
9	90179-08246-00	NUT, SPEC'L SHAPE . . . . .	4	
10	90105-10313-00	BOLT, WASHER BASED . . . . .	1	
11	90179-10247-00	NUT . . . . .	1	
12	90105-10312-00	BOLT, WASHER BASED . . . . .	2	
13	90208-10039-00	WASHER, CONICAL SPR . . . . .	2	
14	90179-10247-00	NUT . . . . .	2	
15	90105-08311-00	BOLT, WASHER BASED . . . . .	4	
16	90105-12314-00	BOLT, WASHER BASED . . . . .	1	
17	90179-12421-00	NUT, SPEC'L SHAPE . . . . .	1	
18	90110-10073-00	BOLT, HEX SKT HEAD . . . . .	1	
19	90387-101V2-00	COLLAR . . . . .	2	
20	90179-10377-00	NUT, SPEC'L SHAPE . . . . .	1	
21	90105-10638-00	BOLT, WASHER BASED . . . . .	2	
22	90101-10524-00	BOLT . . . . .	2	
23	36Y-21491-00-00	WASHER, LOCK . . . . .	2	
24	36Y-21470-00-00	CAP ASSEMBLY . . . . .	2	
25	36Y-21485-00-00	DAMPER, RUBBER 1 . . . . .	2	
26	1L9-24741-00-00	PAD, SEAT . . . . .	2	
27	15A-21717-00-00	DAMPER . . . . .	3	

# FRAME FJ1100LC - NC



Ref. No.	Part Number	Description	Qty	Remarks
15	90105-08311-00	BOLT, WASHER BASED	4	
16	90105-12314-00	BOLT, WASHER BASED	1	
17	90179-12421-00	NUT, SPEC'L SHAPE	1	
18	90110-10073-00	BOLT, HEX SKT HEAD	1	
19	90387-101V2-00	COLLAR	2	
20	90179-10377-00	NUT, SPEC'L SHAPE	1	
21	90105-10638-00	BOLT, WASHER BASED	2	
22	90101-10524-00	BOLT	2	
23	36Y-21491-00-00	WASHER, LOCK	2	
24	36Y-21470-00-00	CAP ASSEMBLY	2	
25	36Y-21485-00-00	DAMPER, RUBBER 1	2	
26	1L9-24741-00-00	PAD, SEAT	2	
27	15A-21717-00-00	DAMPER	3	

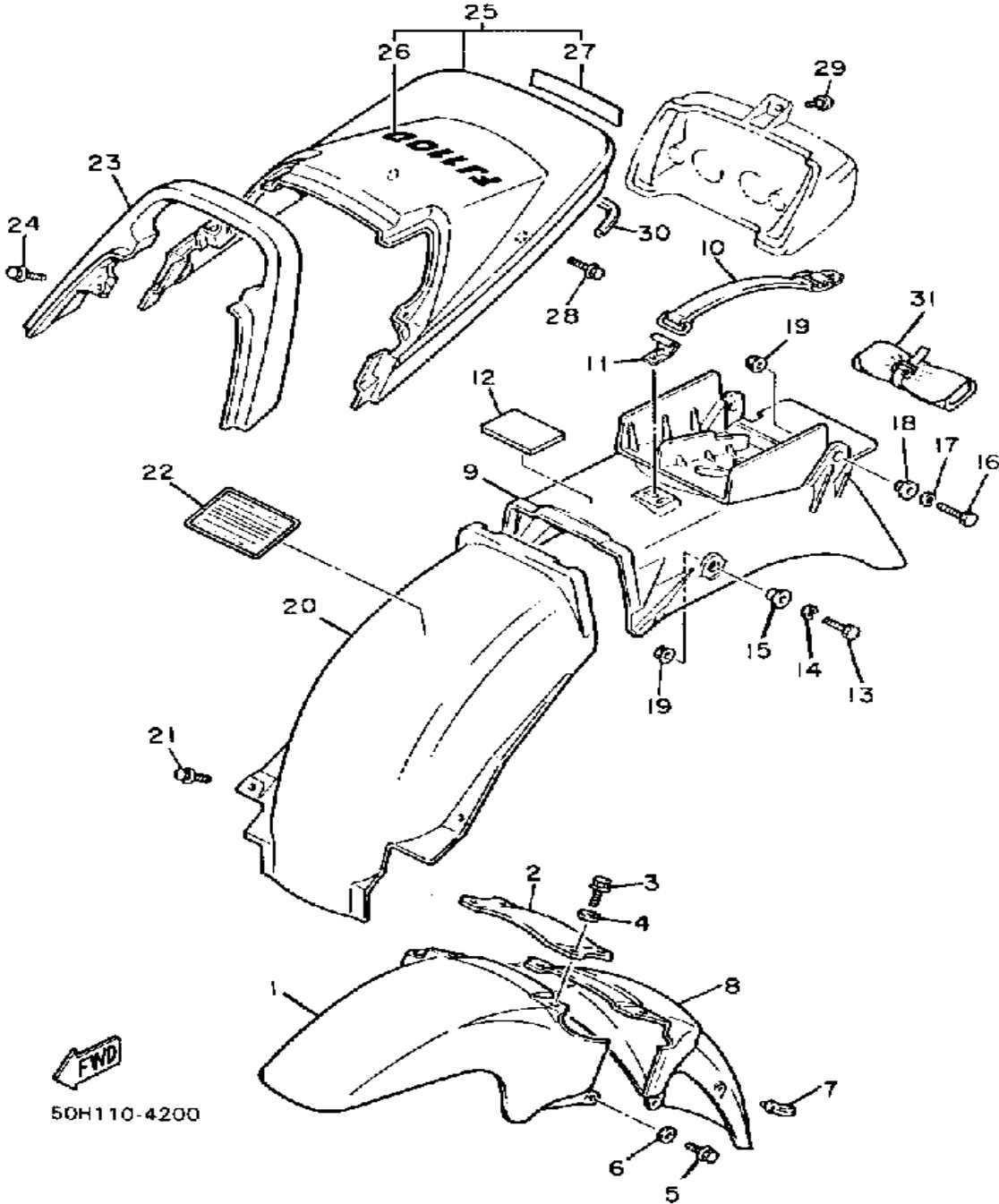
# FENDER FJ1100L - N



Ref. No.	Part Number	Description	Qty	Remarks
1	36Y-21511-01-1U	FENDER, FRONT	1	
	36Y-21511-01-AJ	FENDER, FRONT (36Y-21511-00-TF)	1	
2	36Y-21512-00-00	BRACKET, FENDER	1	
3	95023-06020-00	BOLT, FLANGE	4	
4	90201-06M08-00	WASHER, PLATE	4	
5	95026-06020-00	BOLT, FLANGE	2	
6	90201-062A8-00	WASHER, PLATE	2	
7	1A8-21518-00-00	HOLDER, CABLE	1	
8	36Y-21556-01-1U	FENDER, FRONT 2	1	
	36Y-21556-01-AJ	FENDER, FRONT 2 (36Y-21556-00-TF)	1	
9	47M-W2161-00-00	REAR FENDERCOMP	1	
10	36Y-21376-00-00	BAND, TOOL	1	
11	36Y-2175R-00-00	HOOK, BAND	1	
12	26H-2848K-00-00	SEAT 2	1	
13	97313-06016-00	BOLT, HEXAGON	2	
14	92995-06100-00	WASHER, SPRING	2	
15	90387-06648-00	COLLAR	2	
16	97023-06020-00	BOLT (3XF)	2	
17	92995-06100-00	WASHER, SPRING	2	
18	90387-06648-00	COLLAR	2	
19	95706-06500-00	NUT, FLANGE	4	
20	36Y-21629-00-00	GUARD, MUD	1	
21	90119-06056-00	BOLT, WITH WASHER	2	
22	50H-21683-70-00	PLATE, SPEC	1	
	50H-21683-71-00	PLATE, SPEC	1	
23	36Y-21645-00-00	STAY, REAR	1	
24	95821-08020-00	BOLT, FLANGE (95801-08020)	2	

CONTINUED ON NEXT FRAME ►

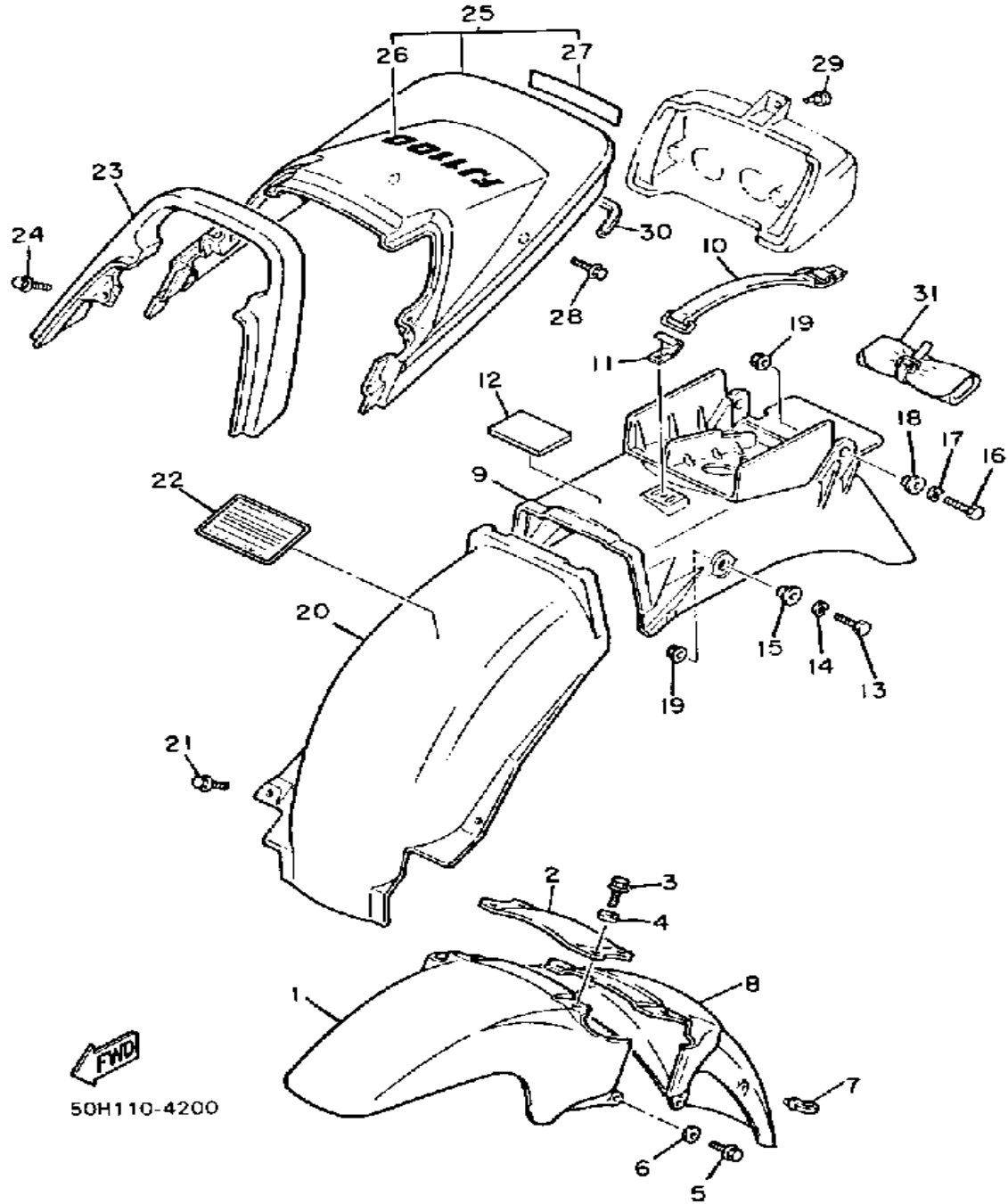
# FENDER FJ1100L - N



Ref. No.	Part Number	Description	Qty	Remarks
25	36Y-W2165-00-01	COVER, REAR FENDER	1	STORMY RED/SILKY WHITE
	36Y-W2165-00-03	COVER, REAR FENDER	1	QUARTZ SILVER/LOW GLOSS BLK
26	36Y-21663-00-00	. GRAPHIC, TAILCOVER	1	STORMY RED/SILKY WHITE
	47M-21663-00-00	. GRAPHIC, TAILCOVER	1	
27	36Y-2163G-00-00	. EMBLEM 1	1	
28	90119-06044-00	BOLT, WITH WASHER	4	
29	36Y-21639-00-00	DAMPER 2	1	
30	36Y-21649-00-00	DAMPER	1	
31	36Y-28100-01-00	TOOL KIT	1	

50H110-4200

# FENDER FJ1100LC - NC

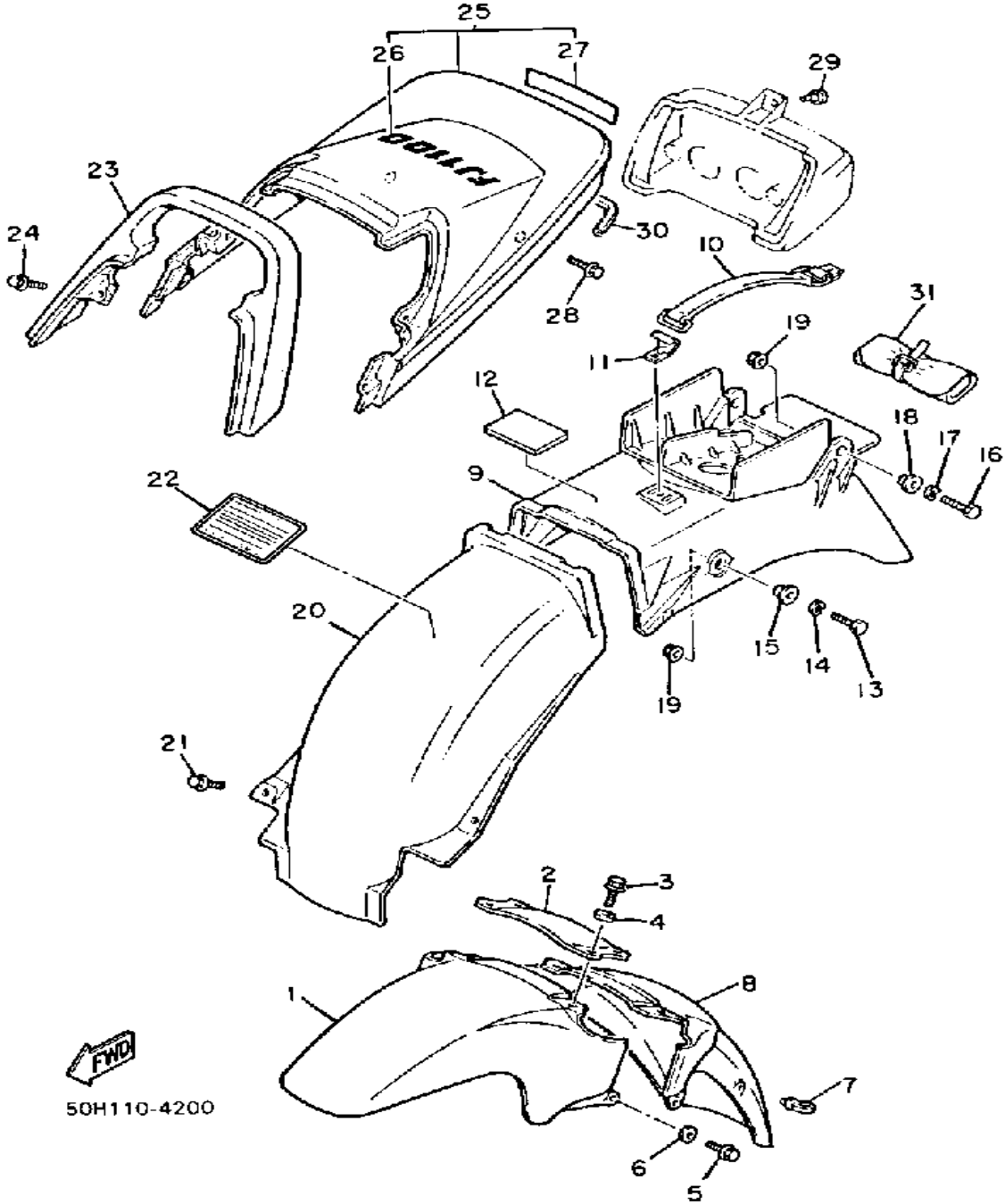


Ref. No.	Part Number	Description	Qty	Remarks
1	36Y-21511-01-1U	FENDER, FRONT	1	
	36Y-21511-01-AJ	FENDER, FRONT (36Y-21511-00-TF)	1	
2	36Y-21512-00-00	BRACKET, FENDER	1	
3	95023-06020-00	BOLT, FLANGE	4	
4	90201-06M08-00	WASHER, PLATE	4	
5	95026-06020-00	BOLT, FLANGE	2	
6	90201-062A8-00	WASHER, PLATE	2	
7	1A8-21518-00-00	HOLDER, CABLE	1	
8	36Y-21556-01-1U	FENDER, FRONT 2	1	QUARTZ SILVER
	36Y-21556-01-AJ	FENDER, FRONT 2 (36Y-21556-00-TF)	1	STORMY RED
9	47M-W2161-00-00	REAR FENDERCOMP	1	
10	36Y-21376-00-00	BAND, TOOL	1	
11	36Y-2175R-00-00	HOOK, BAND	1	
12	26H-2848K-00-00	SEAT 2	1	
13	97313-06016-00	BOLT, HEXAGON	2	
14	92995-06100-00	WASHER, SPRING	2	
15	90387-06648-00	COLLAR	2	
16	97023-06020-00	BOLT (3XF)	2	
17	92995-06100-00	WASHER, SPRING	2	
18	90387-06648-00	COLLAR	2	
19	95706-06500-00	NUT, FLANGE	4	
20	36Y-21629-00-00	GUARD, MUD	1	
21	90119-06056-00	BOLT, WITH WASHER	2	
22	(47M-21683-50-00)	PLATE, SPEC	1	
	50H-21683-70-00	PLATE, SPEC	1	
23	36Y-21645-00-00	STAY, REAR	1	
24	95821-08020-00	BOLT, FLANGE (95801-08020)	2	

CONTINUED ON NEXT FRAME ►

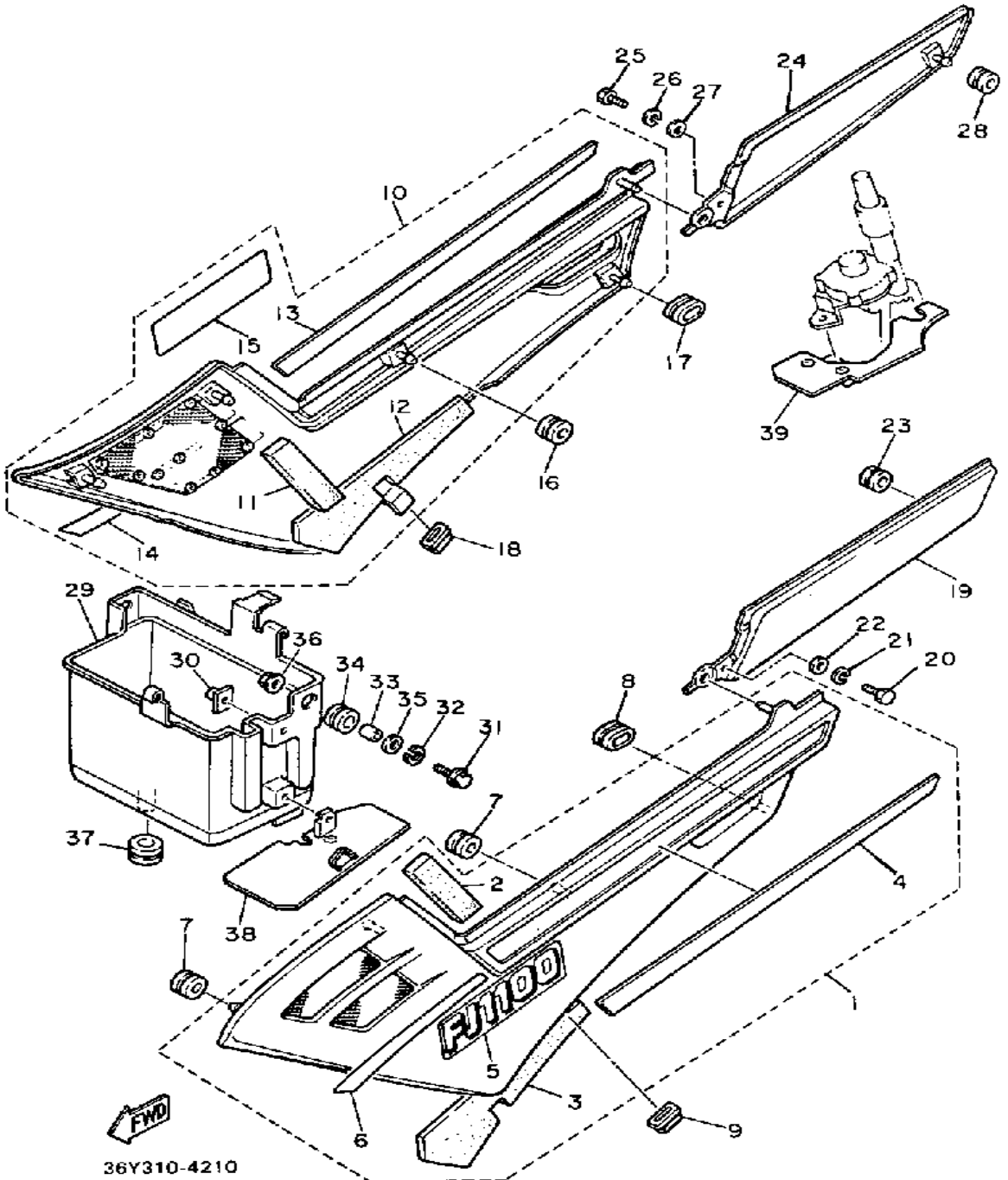


# FENDER FJ1100LC - NC



Ref. No.	Part Number	Description	Qty	Remarks
25	36Y-W2165-00-01	COVER, REAR FENDER	1	
	36Y-W2165-00-03	COVER, REAR FENDER	1	QUARTZ SILVER/LOW GLOSS BLK
26	36Y-21663-00-00	. GRAPHIC, TAILCOVER	1	
	47M-21663-00-00	. GRAPHIC, TAILCOVER	1	
27	36Y-2163G-00-00	. EMBLEM 1	1	
28	90119-06044-00	BOLT, WITH WASHER	4	
29	36Y-21639-00-00	DAMPER 2	1	
30	36Y-21649-00-00	DAMPER	1	
31	36Y-28100-01-00	TOOL KIT	1	

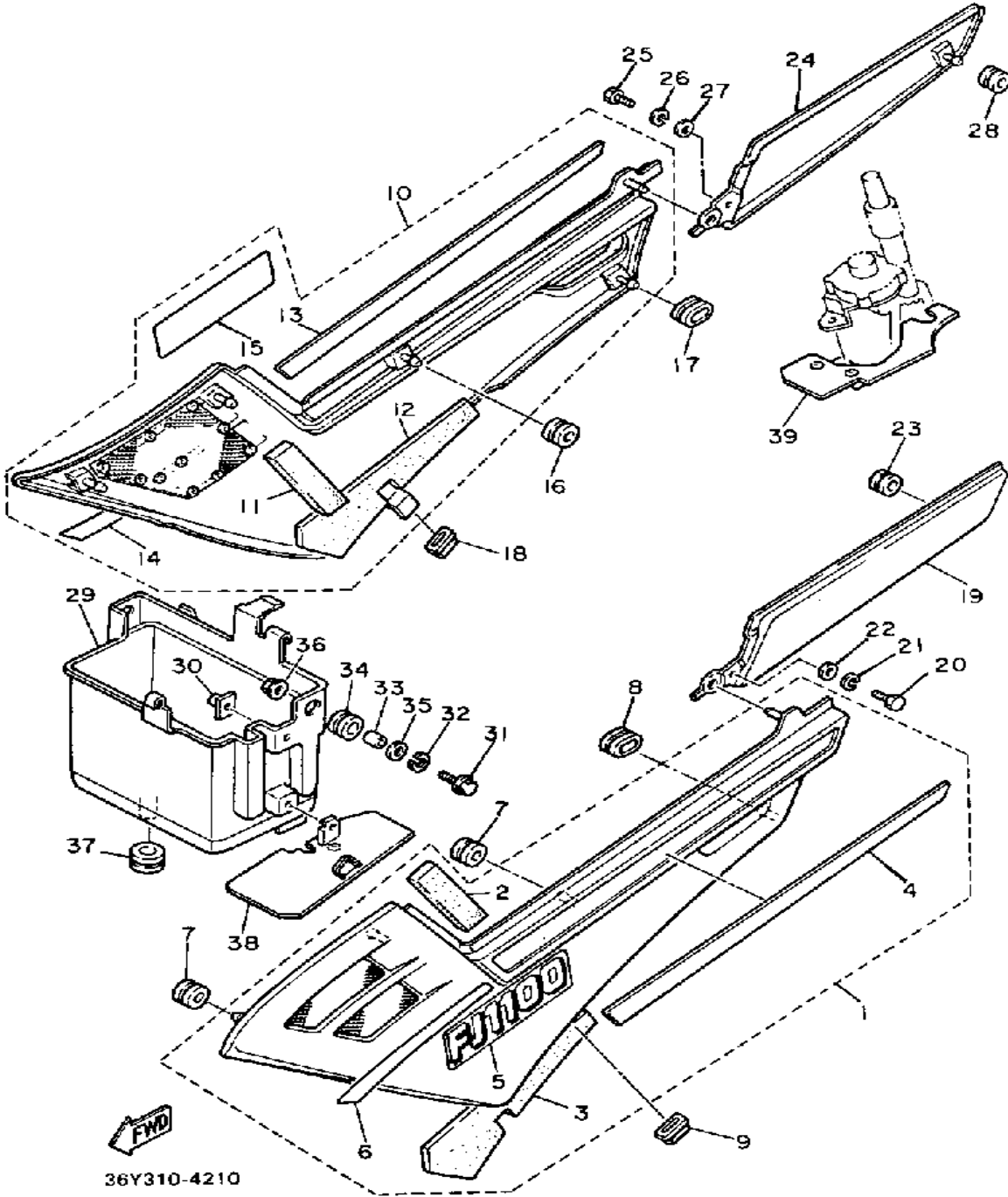
# SIDE COVER



Ref. No.	Part Number	Description	Qty	Remarks
1	36Y-Y2171-01-1X	COVER SIDE 1	1	STORMY RED/SILKY WHITE
	47M-Y2171-00-3X	COVER SIDE 1	1	QUARTZ SILVER/STORMY RED
2	36Y-21735-00-00	. SEAL 2	1	
3	(36Y-21746-00-00)	DAMPER	1	
4	1TX-2171L-00-00	. MOLD, SIDE COVER 1	1	
	36Y-2171L-00-00	. MOLE, SIDE COVER 1	1	
5	36Y-2173E-00-00	. GRAPHIC 1	1	
	36Y-2173E-10-00	. GRAPHIC	1	
6	36Y-2173F-00-00	. GRAPHIC 2	1	
	47M-2173F-00-00	. GRAPHIC	1	
7	90480-01401-00	GROMMET	3	
8	90480-13398-00	GROMMET	1	
9	90480-01390-00	GROMMET	1	
10	36Y-Y2172-01-1X	. COVER SIDE 2	1	STORMY RED/SILKY WHITE
	47M-W2173-01-3X	SIDE COVER 3	1	QUARTZ SILVER/STORMY RED
11	36Y-21735-00-00	. SEAL 2	1	
12	36Y-21747-01-00	. DAMPER	1	
13	1TX-2171M-00-00	. MOLD, SIDE COVER 2	1	
	36Y-2171M-00-00	. MOLE, SIDE COVER 2	1	
14	36Y-2174G-00-00	. GRAPHIC 3	1	
	47M-2174G-00-00	. GRAPHIC 3	1	
15	36Y-2173E-00-00	. GRAPHIC 1	1	
	36Y-2173E-10-00	. GRAPHIC	1	
16	90480-01401-00	GROMMET	3	
17	90480-13398-00	GROMMET	1	
18	90480-01390-00	GROMMET	1	

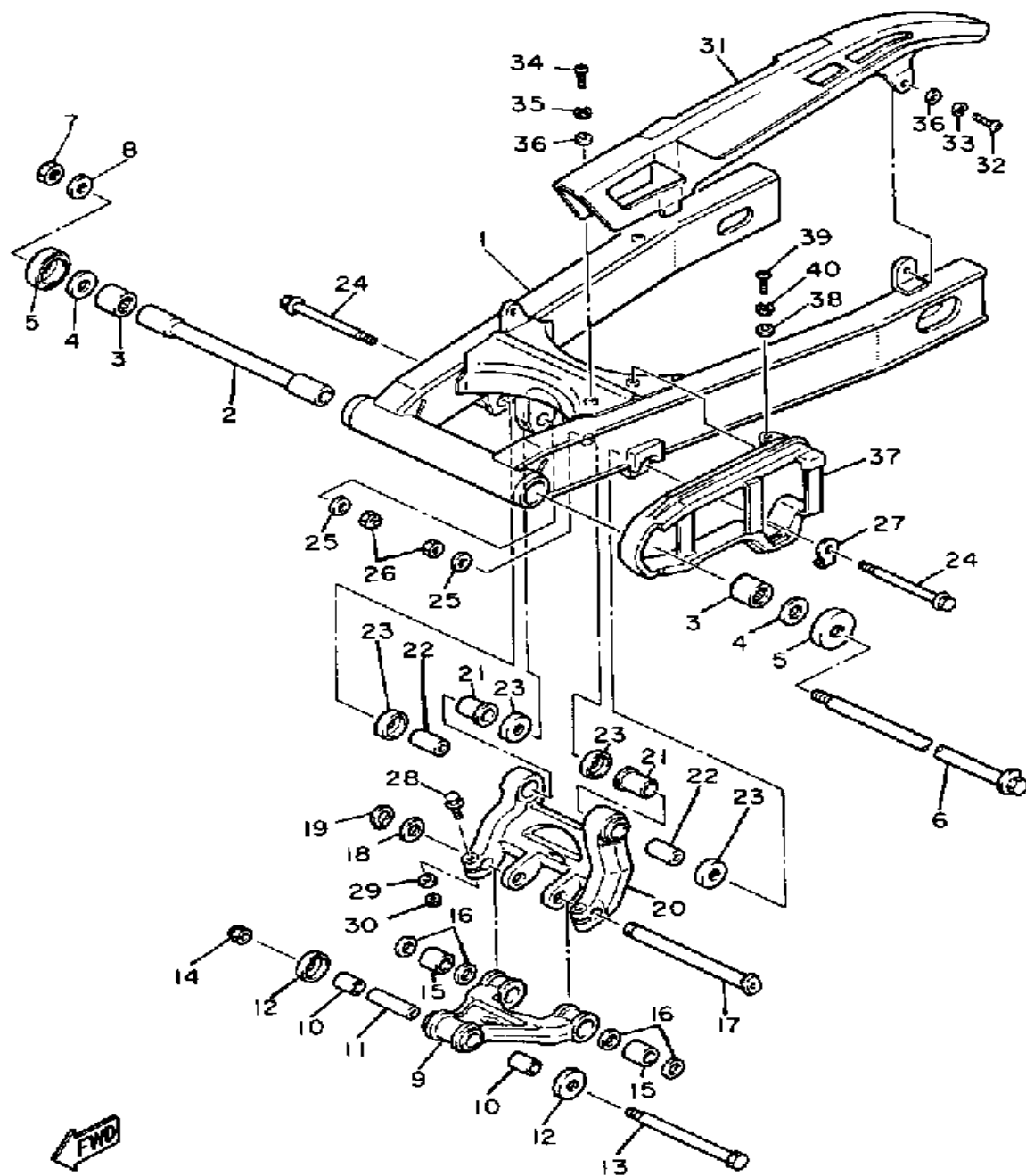
CONTINUED ON NEXT FRAME ►

# SIDE COVER



Ref. No.	Part Number	Description	Qty	Remarks
19	36Y-21731-00-AJ	COVER, SIDE 3	1	STORMY RED
	36Y-21731-00-GE	COVER, SIDE 3	1	SILKY WHITE
20	97313-06016-00	BOLT, HEXAGON	1	
21	92995-06100-00	WASHER, SPRING	1	
22	90201-062G3-00	WASHER, PLATE	1	
23	90480-13163-00	GROMMET	1	
24	36Y-21741-00-AJ	COVER, SIDE 4	1	STORMY RED
	36Y-21741-00-GE	COVER, SIDE 4	1	
25	97313-06016-00	BOLT, HEXAGON	1	
26	92995-06100-00	WASHER, SPRING	1	
27	90201-062G3-00	WASHER, PLATE	1	
28	90480-13163-00	GROMMET	1	
29	36Y-21245-00-00	BOX	1	
30	31A-14477-00-00	PLATE	2	
31	97011-06020-00	BOLT	2	
32	92995-06100-00	WASHER, SPRING	2	
33	90387-060A7-00	COLLAR	2	
34	90480-16233-00	GROMMET	2	
35	90201-06407-00	WASHER, PLATE (90201-06747-00 )	2	
36	95311-06600-00	NUT	2	
37	90480-23192-00	GROMMET	1	
38	(36Y-2172G-00-00)	UNAVAILABLE IN PRICE BOOK	1	
39	(36Y-2172H-00-00)	PANEL 1	1	

# SWING ARM

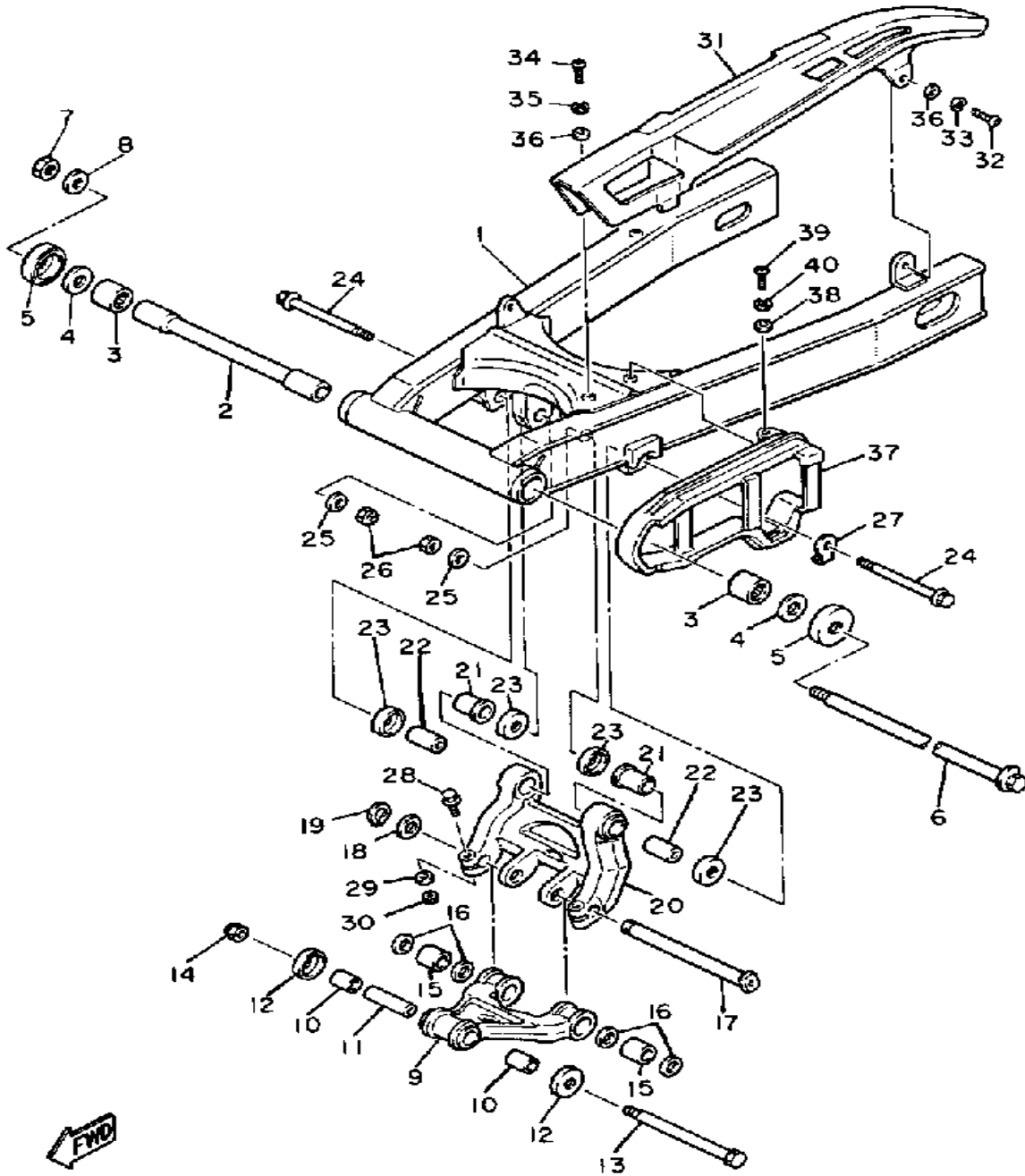


36Y310-4220

Ref. No.	Part Number	Description	Qty	Remarks
1	36Y-22110-00-00	REAR ARM	1	
2	36Y-22184-00-00	BUSH	1	
3	93317-42550-00	BEARING	2	
4	36Y-22127-00-00	SHIM	2	
5	36Y-22128-00-00	COVER, THRUST 1	2	
6	36Y-22141-00-00	SHAFT, PIVOT	1	
7	90185-14070-00	NUT, SELF-LOCKING	1	
8	90201-142M6-00	WASHER, PLATE	1	
9	36Y-2217A-00-00	ARM, RELAY	1	
10	90386-18118-00	BUSH, SPEC'L NYLON	2	
11	90387-123J0-00	COLLAR	1	
12	36Y-22129-00-00	COVER, THRUST 2	2	
13	90101-12605-00	BOLT	1	
14	95611-12100-00	NUT, U	1	
15	90386-18129-00	BUSH, SPEC'L NYLON	2	
16	93109-18020-00	OIL SEAL	4	
17	1AE-22121-00-00	SHAFT 1	1	
18	90201-187H4-00	WASHER, plate	1	
19	99009-18400-00	CIRCLIP	1	
20	(36Y-2217M-00-00)	ARM 1	1	
21	90386-20131-00	BUSH, SPEC'L NYLON	2	
22	90387-125K2-00	COLLAR	2	
23	36Y-22129-00-00	COVER, THRUST 2	4	
24	90105-12309-00	BOLT, WASHER BASED	2	
25	90201-126A7-00	WASHER, PLATE	2	
26	95611-12100-00	NUT, U	2	
27	36Y-22156-00-00	WASHER, PLATE	1	
28	95811-06045-00	BOLT, flange (95812-06045-00)	2	
29	90201-061A5-00	WASHER, PLATE	2	

CONTINUED ON NEXT FRAME ►

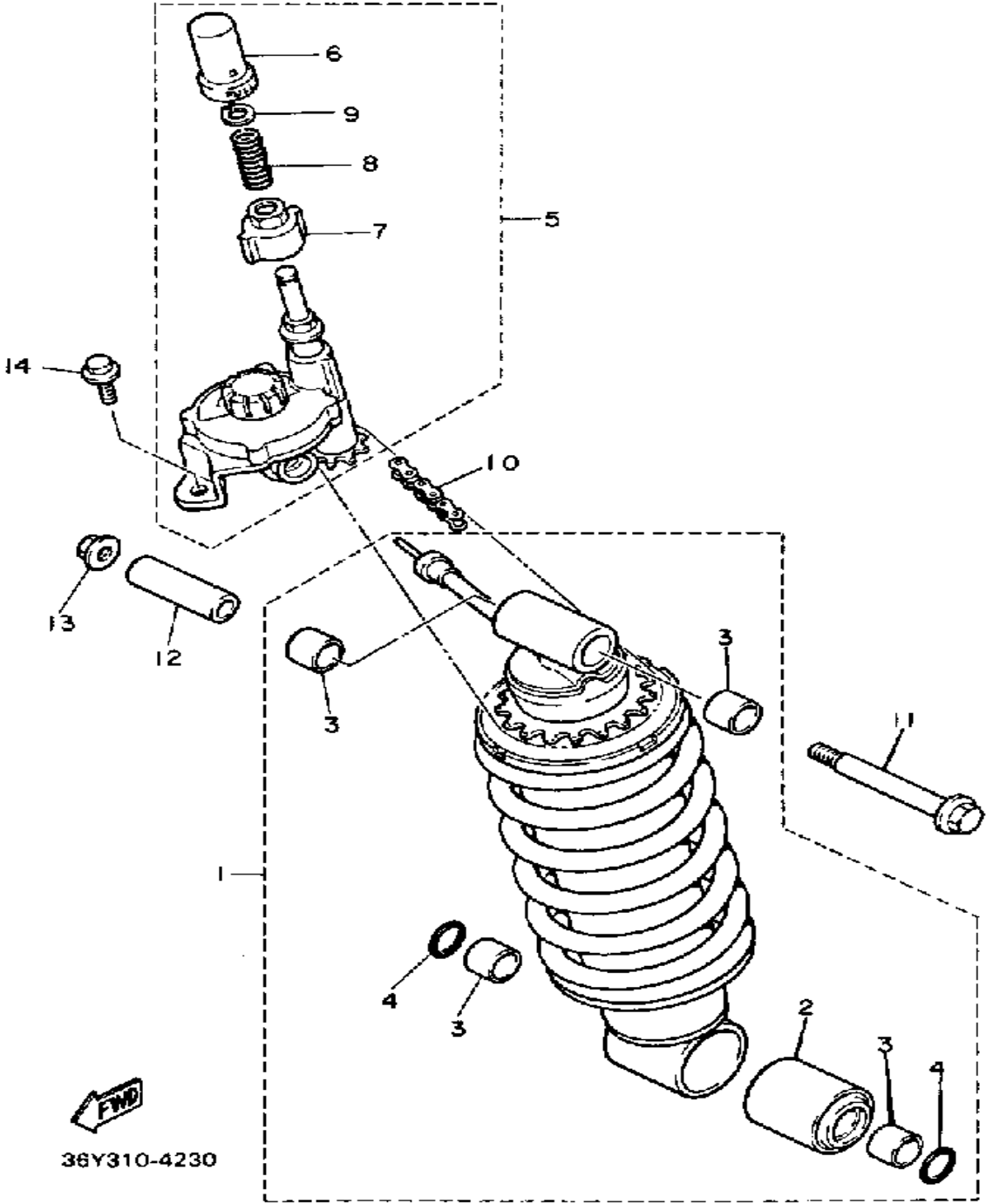
# SWING ARM



36Y310-4220

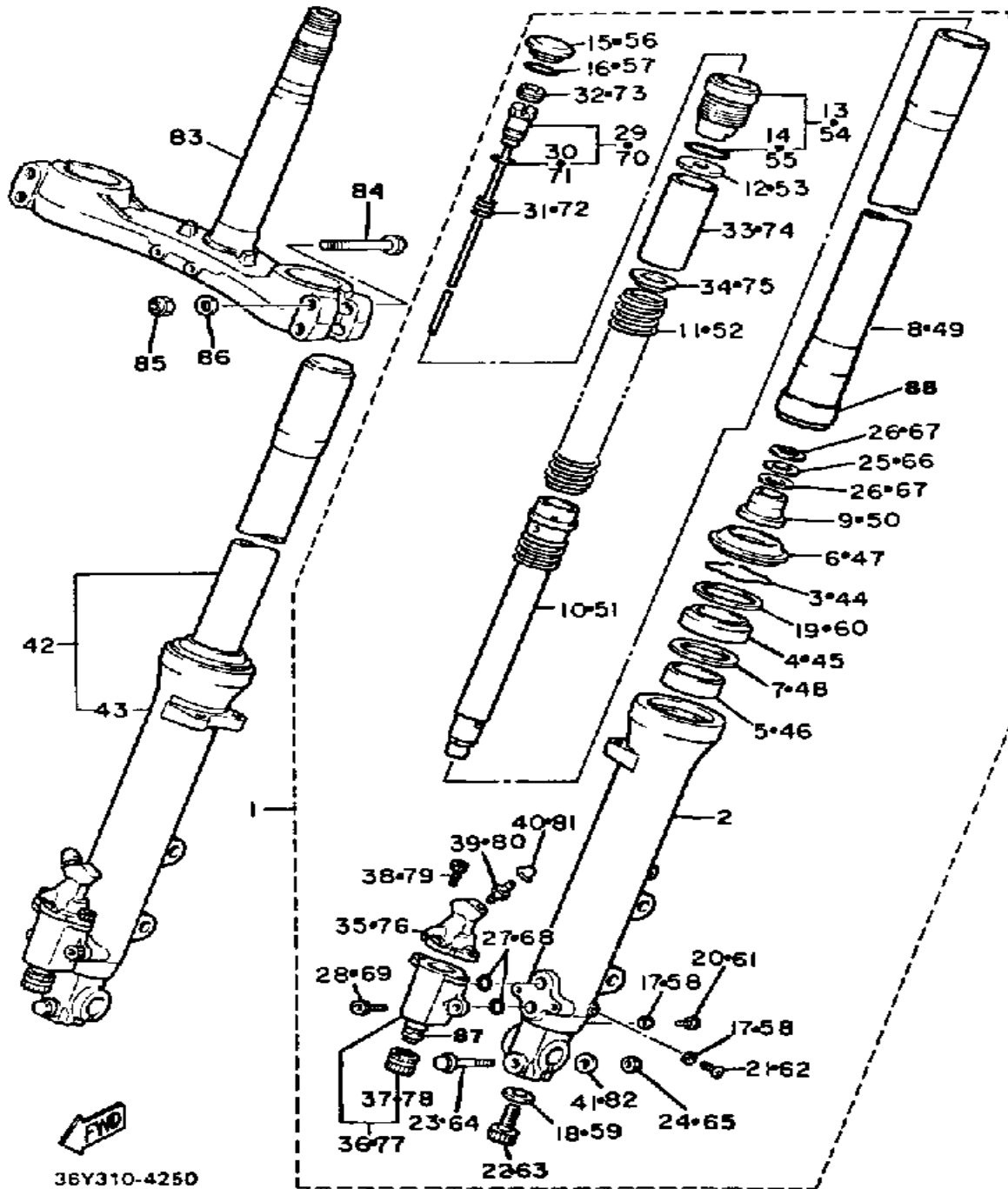
Ref. No.	Part Number	Description	Qty	Remarks
30	95611-06100-00	NUT, u	2	
31	36Y-22311-00-00	CASE, CHAIN	1	
32	98580-06012-00	SCREW, PAN HEAD	1	
33	92995-06100-00	WASHER, SPRING	1	
34	98580-06020-00	SCREW	1	
35	92995-06100-00	WASHER, SPRING	1	
36	90201-06067-00	WASHER, PLATE	2	
37	36Y-22151-01-00	SEAL, GUARD	1	
38	90201-06067-00	WASHER, PLATE	1	
39	98580-06020-00	SCREW	1	
40	92995-06100-00	WASHER, SPRING	1	

# REAR SHOCKS



Ref. No.	Part Number	Description	Qty	Remarks
1	36Y-22210-00-00	SHK/ABS ASSEMBLY, REAR	1	
2	36Y-22226-00-00	. BUSH, SHOCK ABS LWR	1	
3	90384-18157-00	. BUSH, BIMETAL FORMED	4	
4	93210-18322-00	. O-RING	2	
5	36Y-22460-02-00	CONTROL PANEL ASSEMBLY	1	
6	36Y-22936-00-00	. COVER, DUST	1	
7	36Y-22913-00-00	. COVER, HEAD	1	
8	90501-061A3-00	. SPRING, COMPRESSION	1	
9	99080-05600-00	. CIRCLIP	1	
10	36Y-22269-00-00	CHAIN	1	
11	90105-10250-00	BOLT, WASHER BASED	1	
12	90387-124H0-00	COLLAR	1	
13	95601-10200-00	NUT, SELF-LOCKING	1	
14	95821-08020-00	BOLT, FLANGE (95801-08020)	2	

# FRONT FORK

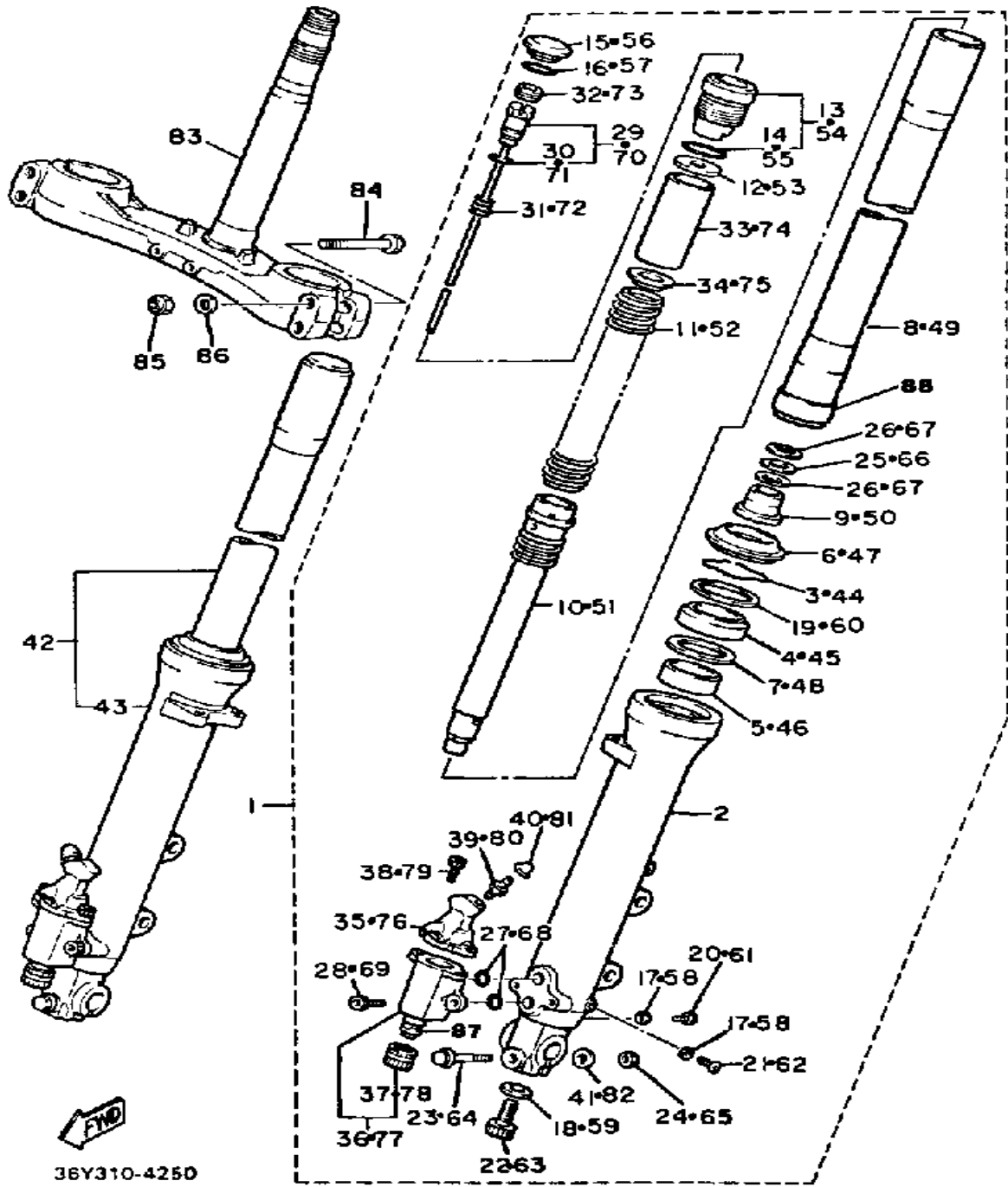


36Y310-4250

Ref. No.	Part Number	Description	Qty	Remarks
1	36Y-23102-00-00	FRONT FORK ASSEMBLY L (L.H.)	1	
	36Y-23102-11-00	FRONT FORK ASSEMBLY L (LH) (36Y-23102-10)	1	50H-00133385ä47M-00104115
2	36Y-23126-00-00	. TUBE, OUTER 1	1	
3	26H-23156-00-00	. CLIP, OIL SEAL	1	
4	3LC-23145-00-00	. OIL SEAL	1	
5	3JD-23125-L0-00	. METAL, SLIDE 1 (3LC-23125-00-00)	1	
6	3LC-23144-00-00	. SEAL, DUST	1	
7	36Y-23146-10-00	. WASHER, OIL SEAL	1	
8	3CV-23110-00-00	. INNER TUBE 1	1	
9	36Y-23173-00-00	. SPINDLE, TAPER	1	
10	36Y-23170-00-00	. CYLINDER, FRTRFRKFRONT FORK	1	
11	36Y-23141-00-00	. SPRING, FRONT FORK	1	
	36Y-23141-10-00	. SPRING, FR FRK HARD	1	SEE NOTE
12	36Y-23149-00-00	. WASHER, SPRING UPR	1	
13	36Y-2319U-00-00	. CAP	1	
14	36Y-23147-00-00	. O-RING	1	
15	36Y-2319W-00-00	. CAP	1	
16	36Y-23114-00-00	. GASKET	1	
17	122-23129-00-00	. GASKET, DRAIN PLUG	2	
18	4V4-23158-L0-00	. GASKET	1	
19	36Y-23137-00-00	. GASKET, UPPER CVR UPPER COVER 1	1	
20	1TX-23181-00-00	. BOLT, HEX SCKT HEAD	1	
21	4H7-23119-00-00	. PLUG, DRAIN - (122-23119-01)	1	
22	4V4-23181-L0-00	. BOLT, HEXAGON SOCKET HEAD	1	
23	36Y-23128-00-00	. BOLT, AXLE HOLDER	1	

CONTINUED ON NEXT FRAME ►

# FRONT FORK

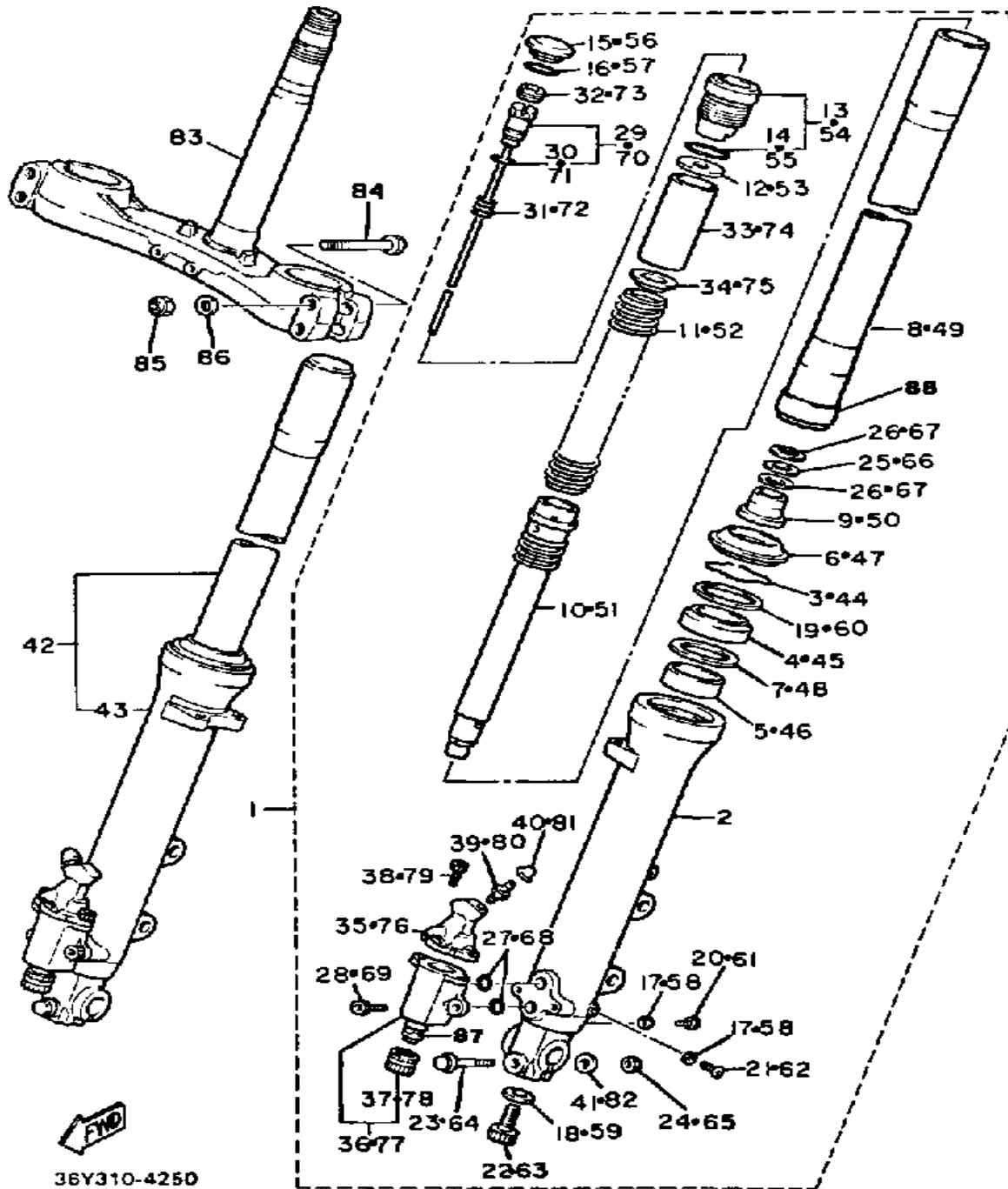


Ref. No.	Part Number	Description	Qty	Remarks
24	95611-08100-00	. NUT, U	1	
25	36Y-2319L-00-00	. WASHER	1	
26	36Y-2319M-00-00	. SPRING, VALVE	2	
27	22N-23147-00-00	. O-RING	2	
28	22N-23346-00-00	. BOLT 1	2	
29	36Y-2330G-00-00	. ROD	1	
30	36Y-23147-10-00	. O-RING	1	
31	36Y-23152-00-00	. SPRING, SUB	1	
32	36Y-23357-00-00	. NUT	1	
33	(36Y-23118-00-00)	SPACER	1	SEE NOTE
34	36Y-23142-00-00	. SEAT, SPRING UPPER	1	SEE NOTE
35	36Y-2319F-00-00	. BRAKE PLNGR ASSEMBLY 1 ASSEMBLY 1	1	
36	36Y-2319E-00-00	. DAMPER PISTON ASSEMBLY ASSY	1	
37	36Y-23184-00-00	. CAP, AIR VALVE	1	
38	22N-23356-00-00	. BOLT 2	2	
39	1TX-2319V-00-00	. BREATHER, AIR (26H-2319V-00-00)	1	
40	26H-2319W-00-00	. CAP	1	
41	92901-08600-00	. WASHER	1	
42	36Y-23103-00-00	FRONT FORK ASSEMBLY RASS"Y (R.H.)	1	
	36Y-23103-11-00	FRONT FORK ASSEMBLY R (RH) (36Y-23103-10)	1	50H-00133385
43	36Y-23136-00-00	. TUBE, OUTER 2	1	
44	26H-23156-00-00	. CLIP, OIL SEAL	1	
45	3LC-23145-00-00	. OIL SEAL	1	
46	3JD-23125-L0-00	. METAL, SLIDE 1 (3LC-23125-00-00)	1	
47	3LC-23144-00-00	. SEAL, DUST	1	

CONTINUED ON NEXT FRAME ➤



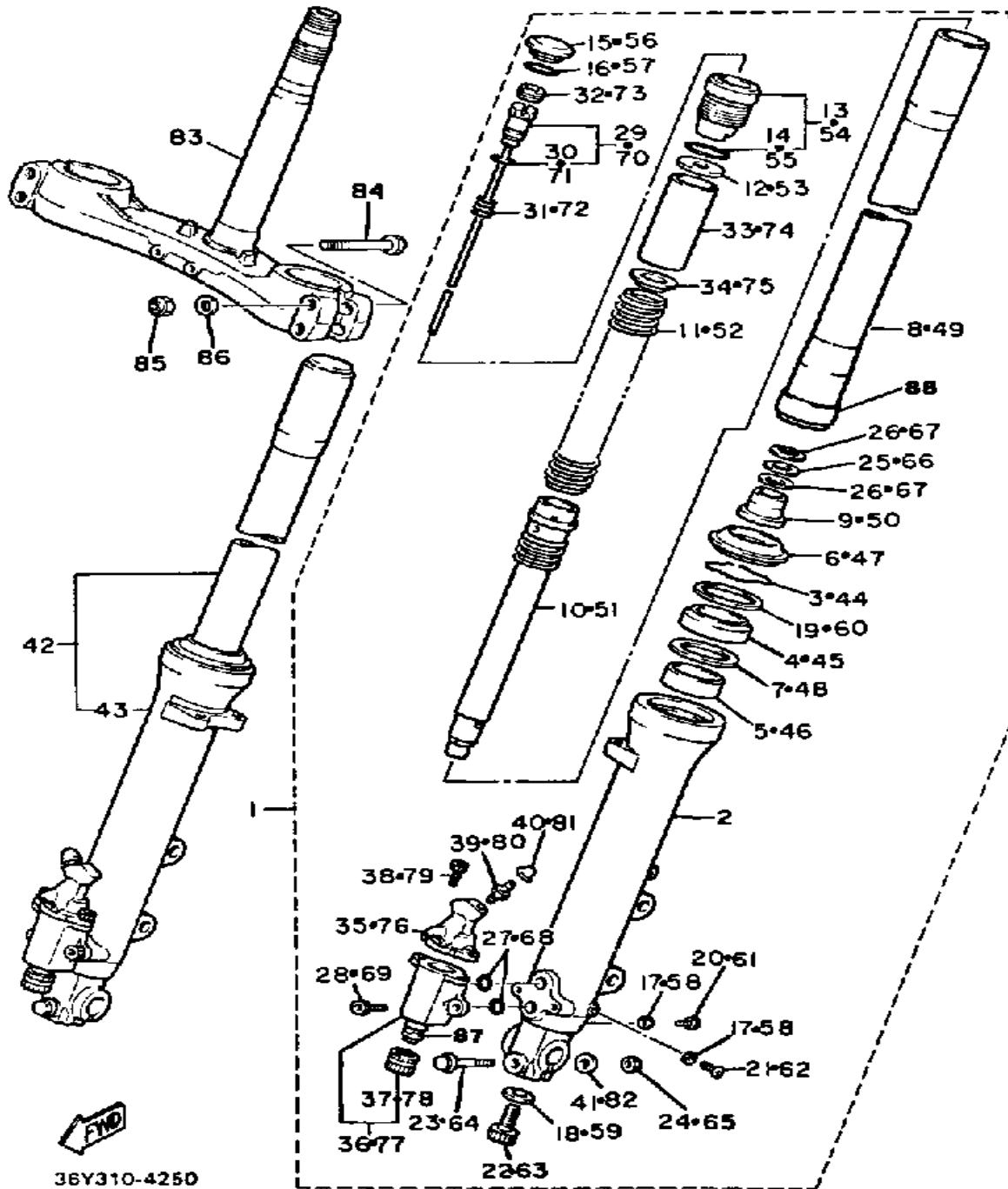
# FRONT FORK



Ref. No.	Part Number	Description	Qty	Remarks
48	36Y-23146-10-00	. WASHER, OIL SEAL	1	
49	3CV-23110-00-00	. INNER TUBE 1	1	
50	36Y-23173-00-00	. SPINDLE, TAPER	1	
51	36Y-23170-00-00	. CYLINDER, FRTFRKFRONT FORK	1	
52	36Y-23141-00-00	. SPRING, FRONT FORK	1	
	36Y-23141-10-00	. SPRING, FR FRK HARD	1	SEE NOTE
53	36Y-23149-00-00	. WASHER, SPRING UPR	1	
54	36Y-2319U-00-00	. CAP	1	
55	36Y-23147-00-00	. O-RING	1	
56	36Y-2319W-00-00	. CAP	1	
57	36Y-23114-00-00	. GASKET	1	
58	122-23129-00-00	. GASKET, DRAIN PLUG	2	
59	4V4-23158-L0-00	. GASKET	1	
60	36Y-23137-00-00	. GASKET, UPPER CVR 1UPPER COVER 1	1	
61	1TX-23181-00-00	. BOLT, HEX SCKT HEAD	1	
62	4H7-23119-00-00	. PLUG, DRAIN - (122-23119-01)	1	
63	4V4-23181-L0-00	. BOLT, HEXAGON SOCKET HEAD	1	
64	36Y-23128-00-00	. BOLT, AXLE HOLDER	1	
65	95611-08100-00	. NUT, U	1	
66	36Y-2319L-00-00	. WASHER	1	
67	36Y-2319M-00-00	. SPRING, VALVE	2	
68	22N-23147-00-00	. O-RING	2	
69	22N-23346-00-00	. BOLT 1	2	
70	36Y-2330G-00-00	. ROD	1	
71	36Y-23147-10-00	. O-RING	1	
72	36Y-23152-00-00	. SPRING, SUB	1	
73	36Y-23357-00-00	. NUT	1	

CONTINUED ON NEXT FRAME ►

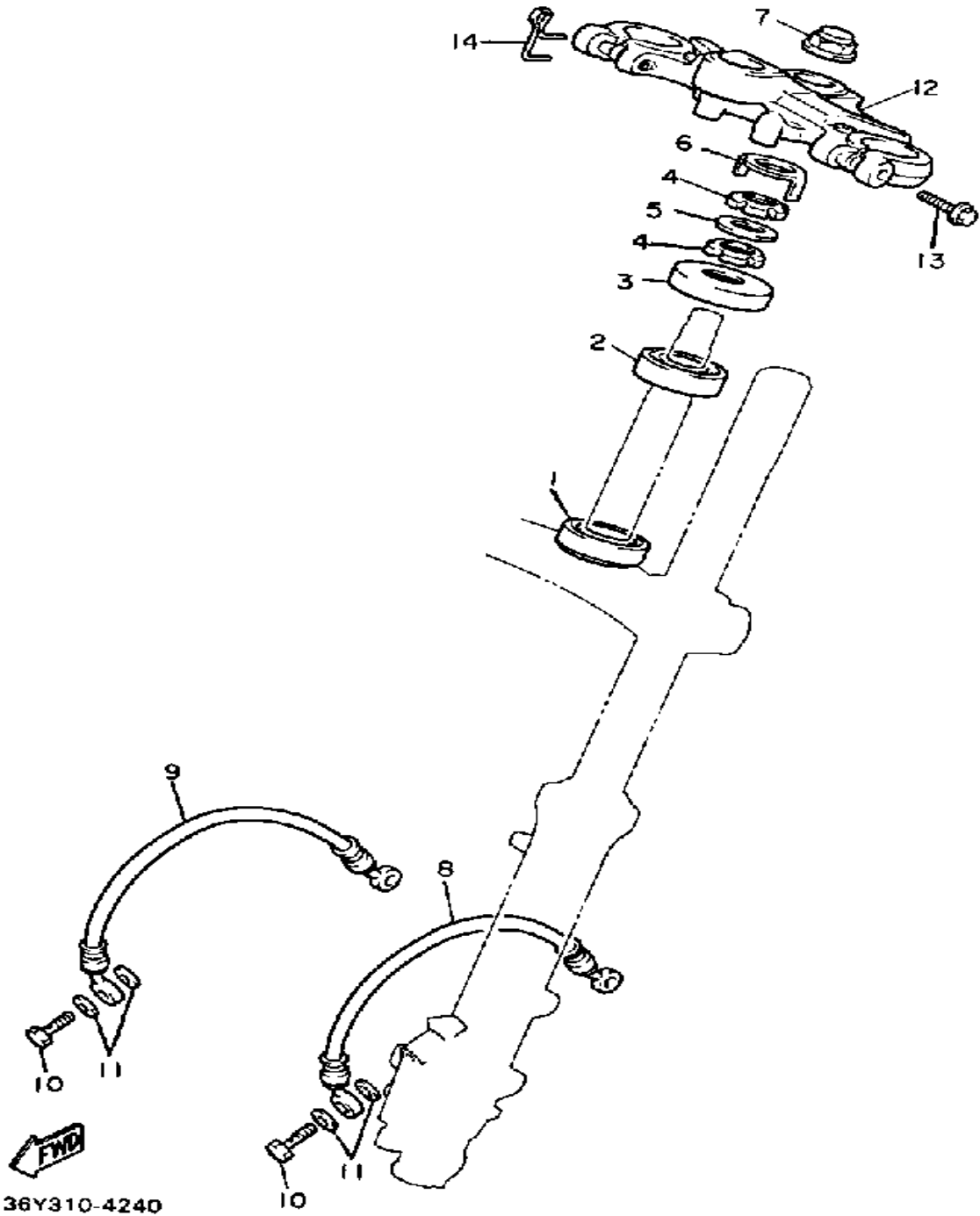
# FRONT FORK



36Y310-4250

Ref. No.	Part Number	Description	Qty	Remarks
74	(36Y-23118-00-00)	SPACER	1	SEE NOTE
75	36Y-23142-00-00	. SEAT, SPRING UPPER	1	SEE NOTE
76	36Y-2319G-00-00	. BRAKE PLUNGER ASSEMBLY2ASSY 2	1	
77	36Y-2319E-00-00	. DAMPER PISTON ASSEMBLYASSY	1	
78	36Y-23184-00-00	. . CAP, AIR VALVE	1	
79	22N-23356-00-00	. BOLT 2	2	
80	1TX-2319V-00-00	. BREATHER, AIR (26H-2319V-00-00)	1	
81	26H-2319W-00-00	. CAP	1	
82	92901-08600-00	. WASHER	1	
83	36Y-23340-00-00	UNDER BRACKET	1	
84	36Y-23346-00-00	BOLT 1	4	
85	95611-08100-00	. NUT, U	4	
86	92901-08600-00	WASHER	4	
87	36Y-W0009-00-00	. . SLEEV SET, DAMP FFK SET	2	
88	36Y-23171-00-00	. PISTON, FRONT FORK	2	

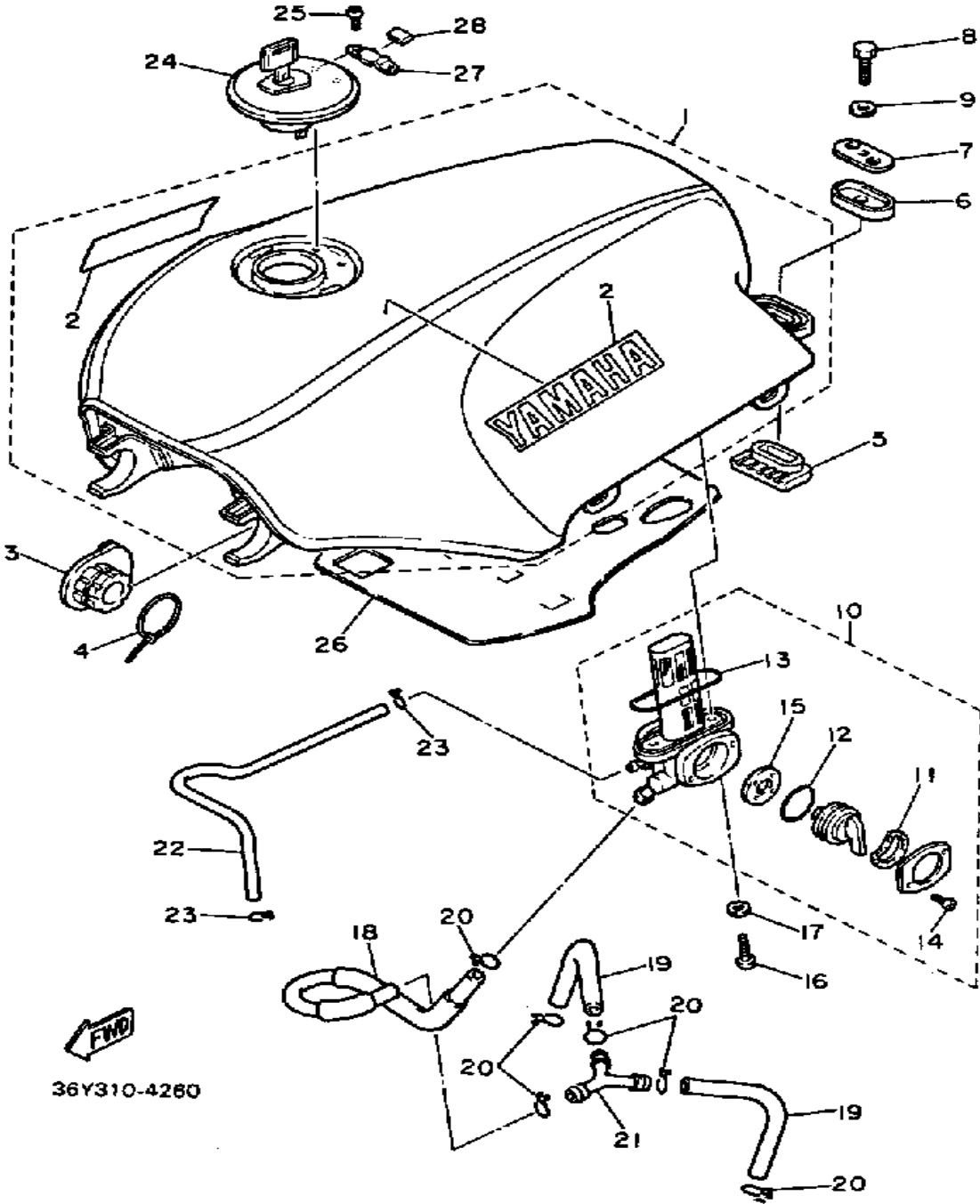
# STEERING



Ref. No.	Part Number	Description	Qty	Remarks
1	93332-00008-00	BEARING .....	1	
2	93332-00001-00	BEARING .....	1	
3	1J7-23415-00-00	COVER, BALL RACE 1 .....	1	
4	90179-25033-00	NUT .....	2	
5	90202-26142-00	WASHER, PLATE .....	1	
6	26H-23418-01-00	WASHER, SPECIAL .....	1	
7	90179-22455-00	NUT, SPEC'L SHAPE .....	1	
8	31A-25874-01-00	HOSE, BRAKE .....	1	
9	31A-25874-11-00	HOSE, BRAKE .....	1	
10	90401-10096-00	BOLT, UNION .....	2	
11	90201-10118-00	WASHER, PLATE .....	4	
12	47M-23435-00-00	CROWN, HANDLE .....	1	
13	95026-08045-00	BOLT, FLANGE .....	2	
14	36Y-23317-00-00	HOLDER, CABLE .....	1	

36Y310-4240

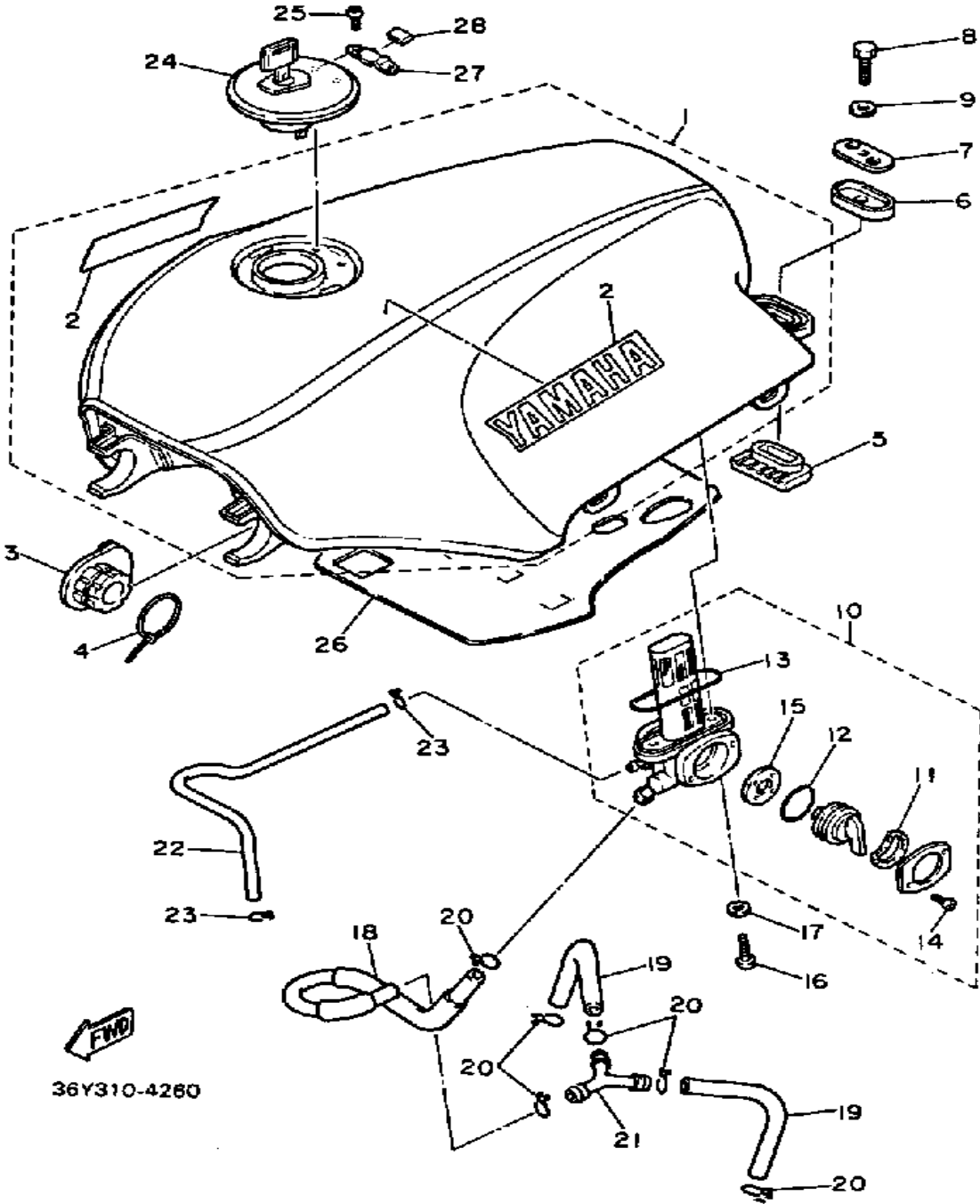
# FUEL TANK FJ1100L - N



Ref. No.	Part Number	Description	Qty	Remarks
1	36Y-24110-01-01	FUEL TANK .....	1	STORMY RED
	36Y-24110-01-03	FUEL TANK (36Y-24110-00-03)	1	QUARTZ SILVER/STORMY RED
2	36Y-24161-00-00	. EMBLEM 1 .....	2	
	99224-00040-00	. EMBLEM, YAMAHA YAMAHA (BLACK) .....	2	
3	36Y-24181-01-00	DAMPER, LOCATING 1 .....	2	
4	5Y9-12491-00-00	CLAMP 1 .....	2	
5	36Y-24182-00-00	DAMPER, LOCATING 2 .....	2	
6	3Y6-24183-00-00	DAMPER, LOCATING 3 .....	2	
7	36Y-24186-00-00	WASHER, SPECIAL .....	2	
8	97026-06030-00	BOLT .....	2	
9	92906-06600-00	WASHER .....	2	
10	36Y-24500-00-00	FUEL COCK ASSEMBLY 1 ...	1	
11	16G-24518-00-00	. WASHER, WAVE .....	1	
12	2G2-24534-00-00	. SEAL, COCK .....	1	
13	2G2-24512-00-00	. GASKET .....	1	
14	98580-03008-00	. SCREW, PAN HEAD .....	2	
15	47X-24523-00-00	. VALVE .....	1	
16	90149-06008-00	SCREW .....	2	
17	90202-05187-00	WASHER, PLATE .....	2	
18	36Y-24312-00-00	PIPE 2 .....	1	
19	36Y-24311-00-00	PIPE, FUEL 1 .....	2	
20	90467-12052-00	CLIP .....	6	
21	36Y-24376-00-00	PIPE, JOINT 1 .....	1	
22	36Y-24313-00-00	PIPE 3 .....	1	
23	90467-08021-00	CLIP .....	2	
24	50H-24602-03-00	CAP ASSEMBLY 0 1 .....	1	
	50H-24602-03-00	CAP ASSEMBLY 0 1 .....	1	5565

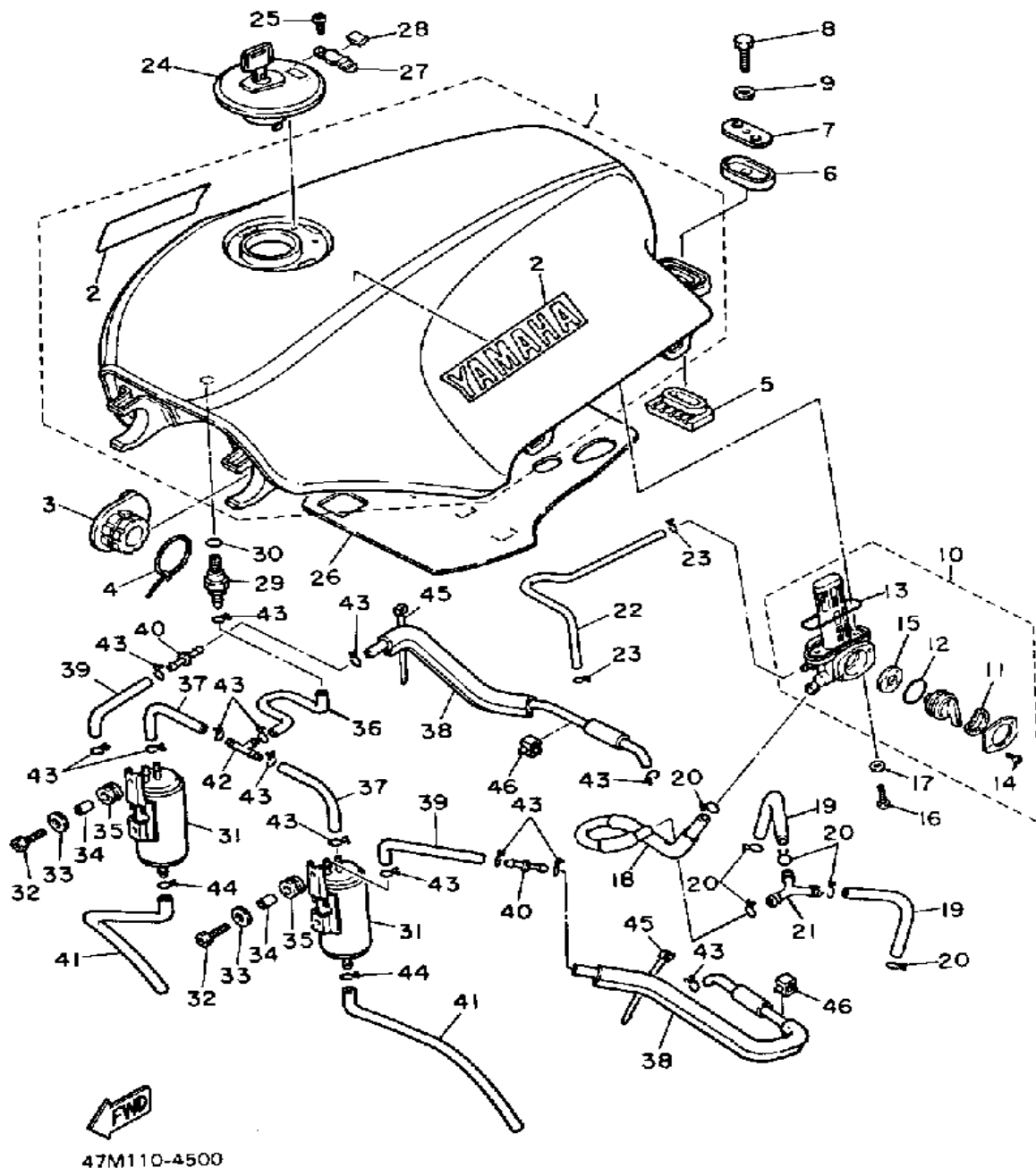
CONTINUED ON NEXT FRAME ►

# FUEL TANK FJ1100L - N



Ref. No.	Part Number	Description	Qty	Remarks
25	98580-05012-00	. SCREW, PAN HEAD	2	
26	3CV-24125-00-00	SEAL, AIR SHROUD 1	1	
27	36Y-24669-00-00	COVER, HINGE	1	
28	36Y-24665-00-00	DAMPER	1	

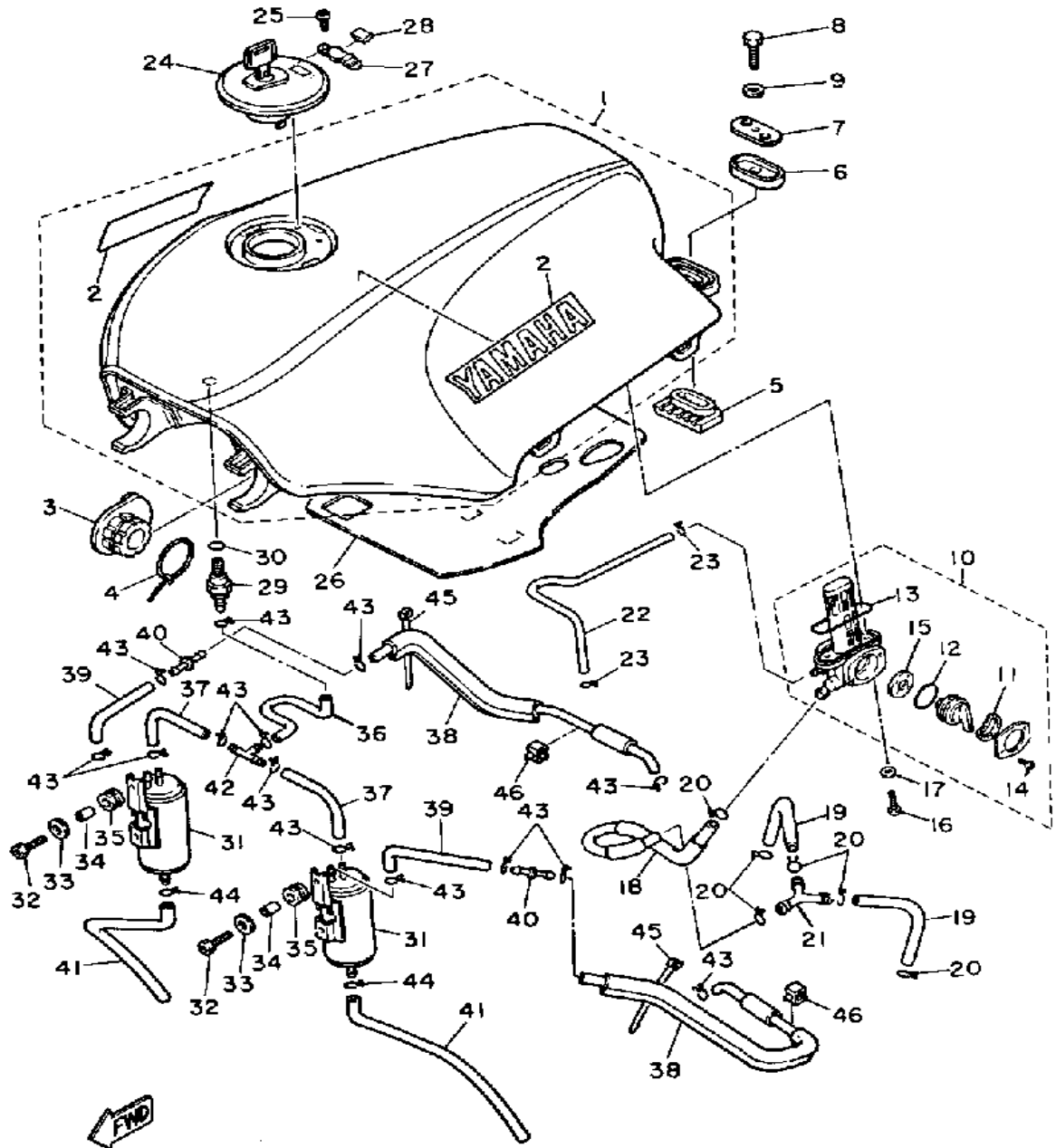
# FUEL TANK



Ref. No.	Part Number	Description	Qty	Remarks
1	47M-24110-01-01	FUEL TANK (47M-24110-00-01) (LC)	1	47M-0004165 QUARTZ SILVER/STO
	47M-24110-01-02	FUEL TANK	1	STORMY RED
2	36Y-24161-00-00	. EMBLEM 1	2	
	99224-00040-00	. EMBLEM, YAMAHA YAMAHA (BLACK)	2	
3	36Y-24181-01-00	DAMPER, LOCATING 1	2	
4	5Y9-12491-00-00	CLAMP 1	2	
5	36Y-24182-00-00	DAMPER, LOCATING 2	2	
6	3Y6-24183-00-00	DAMPER, LOCATING 3	2	
7	36Y-24186-00-00	WASHER, SPECIAL	2	
8	97026-06030-00	BOLT	2	
9	92906-06600-00	WASHER	2	
10	36Y-24500-00-00	FUEL COCK ASSEMBLY 1	1	
11	16G-24518-00-00	. WASHER, WAVE	1	
12	2G2-24534-00-00	. SEAL, COCK	1	
13	2G2-24512-00-00	. GASKET	1	
14	98580-03008-00	. SCREW, PAN HEAD	2	
15	47X-24523-00-00	. VALVE	1	
16	90149-06008-00	SCREW	2	
17	90202-05187-00	WASHER, PLATE	2	
18	36Y-24312-00-00	PIPE 2	1	
19	36Y-24311-00-00	PIPE, FUEL 1	2	
20	90467-12052-00	CLIP	6	
21	36Y-24376-00-00	PIPE, JOINT 1	1	
22	36Y-24313-00-00	PIPE 3	1	
23	90467-08021-00	CLIP	2	
24	47M-24602-03-00	CAP.ASSEMBLY	1	
25	98580-05012-00	SCREW, PAN HEAD	2	

CONTINUED ON NEXT FRAME ►

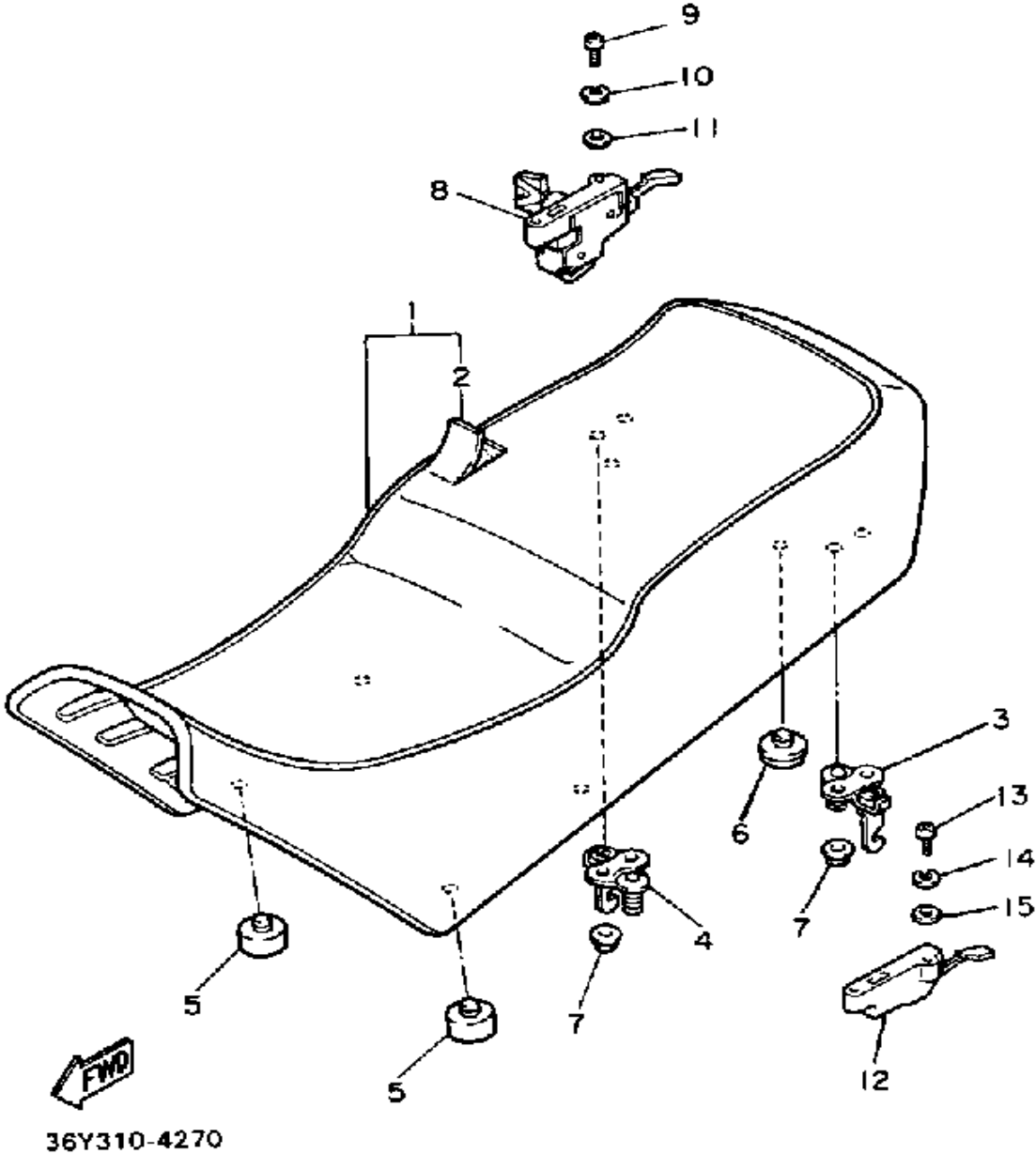
# FUEL TANK



47M110-4500

Ref. No.	Part Number	Description	Qty	Remarks
26	3CV-24125-00-00	SEAL, AIR SHROUD 1	1	
27	36Y-24669-00-00	COVER, HINGE	1	
28	36Y-24665-00-00	DAMPER	1	
29	20K-24180-00-00	ROLL OVER VALVE ASSEMBLY	1	
30	93210-10166-00	O-RING	1	
31	47M-24170-00-00	CANISTER ASSEMBLY	2	
32	91316-06016-00	BOLT, SOCKET HEAD	4	
33	90201-063J2-00	WASHER, PLATE	4	
34	90387-060G7-00	COLLAR	4	
35	90480-12529-00	GROMMET	4	
36	47M-24311-00-00	PIPE, FUEL 1	1	
37	(90445-115A5-00)	HOSE	2	
38	(47M-24312-00-00)	PIPE 2	2	
39	(47M-24313-00-00)	PIPE 3	2	
40	42H-24119-00-00	TUBE, CONNECTING	2	
41	(47M-24314-00-00)	PIPE 4	2	
42	3H3-24376-00-00	PIPE, JOINT 1	1	
43	90467-09006-00	CLIP	14	
44	90467-11102-00	CLIP, SCISSOR	2	
45	90465-13169-00	CALMP	2	
46	90464-08020-00	CLAMP	2	

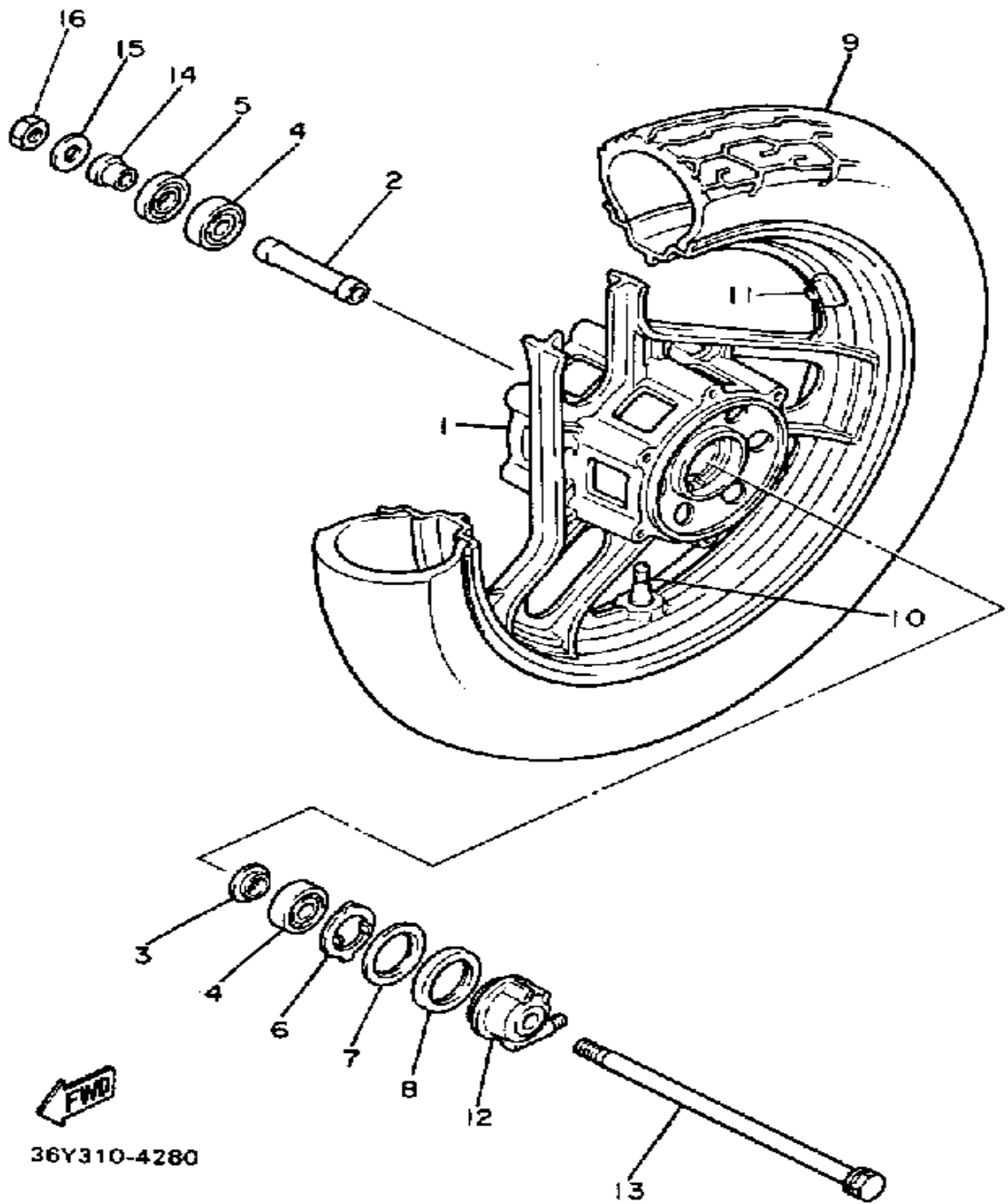
# SEAT



Ref. No.	Part Number	Description	Qty	Remarks
1	3CV-24730-00-00	DOUBLE SEAT ASSEMBLY ...	1	
2	3CV-24731-40-00	. COVER, DOUBLE SEAT .....	1	
3	36Y-24728-00-00	BRACKET, SEAT .....	1	
4	36Y-24738-00-00	BRACKET, SEAT .....	1	
5	1T4-24741-00-00	PAD, SEAT .....	4	
6	1L9-24741-00-00	PAD, SEAT .....	2	
7	95701-06500-00	NUT, FLANGE .....	4	
8	36Y-24705-00-00	SEAT LOCK ASSEMBLY. ....	1	
9	98503-06014-00	SCREW, PAN HEAD (92502-06016) .....	2	
10	92995-06100-00	WASHER, SPRING .....	2	
11	90201-061A5-00	WASHER, PLATE .....	2	
12	36Y-24760-00-00	SEAT LEVER ASSEMBLY ....	1	
13	98503-06014-00	SCREW, PAN HEAD (92502-06016) .....	2	
14	92995-06100-00	WASHER, SPRING .....	2	
15	92901-06600-00	WASHER .....	2	

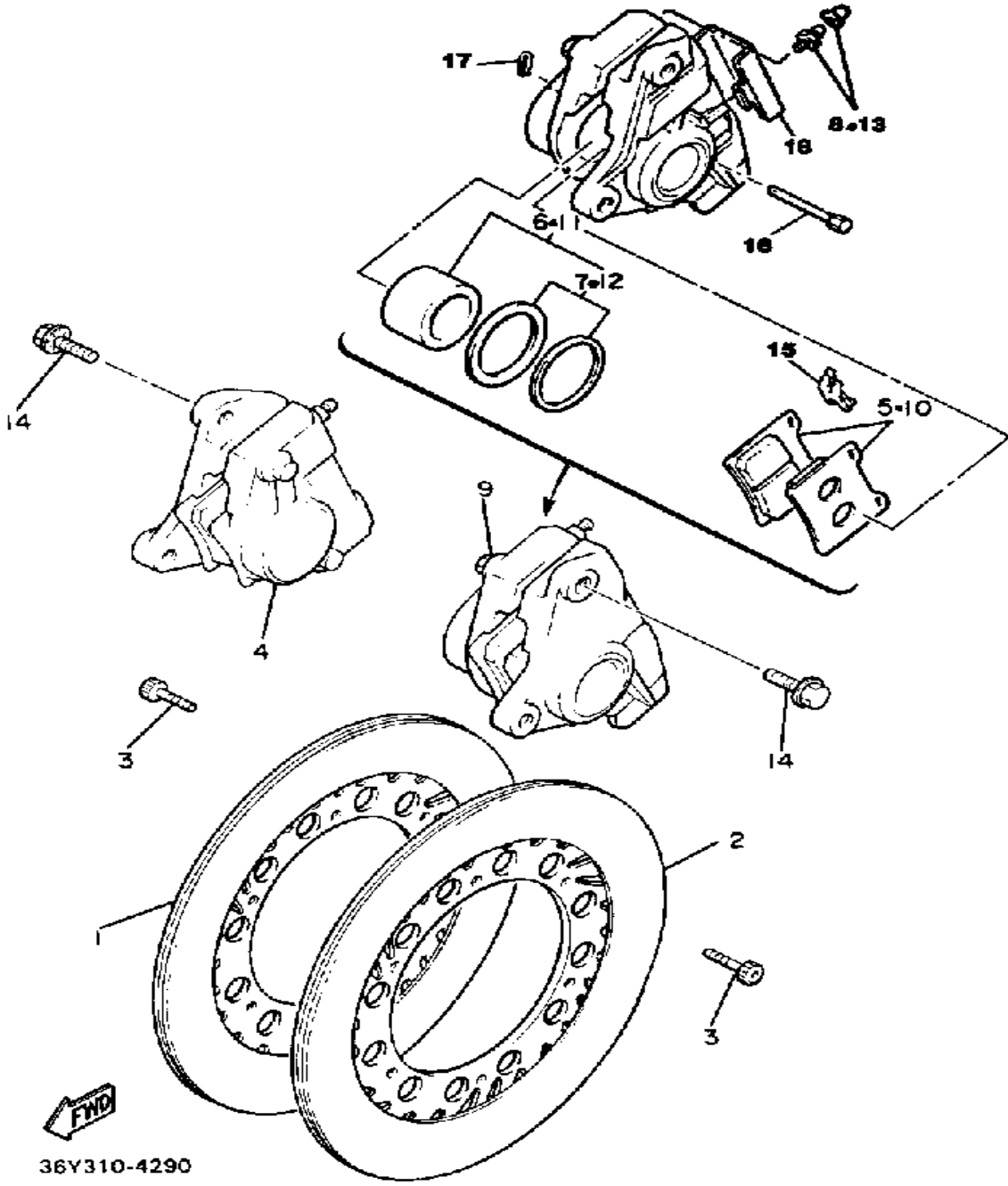


# FRONT WHEEL



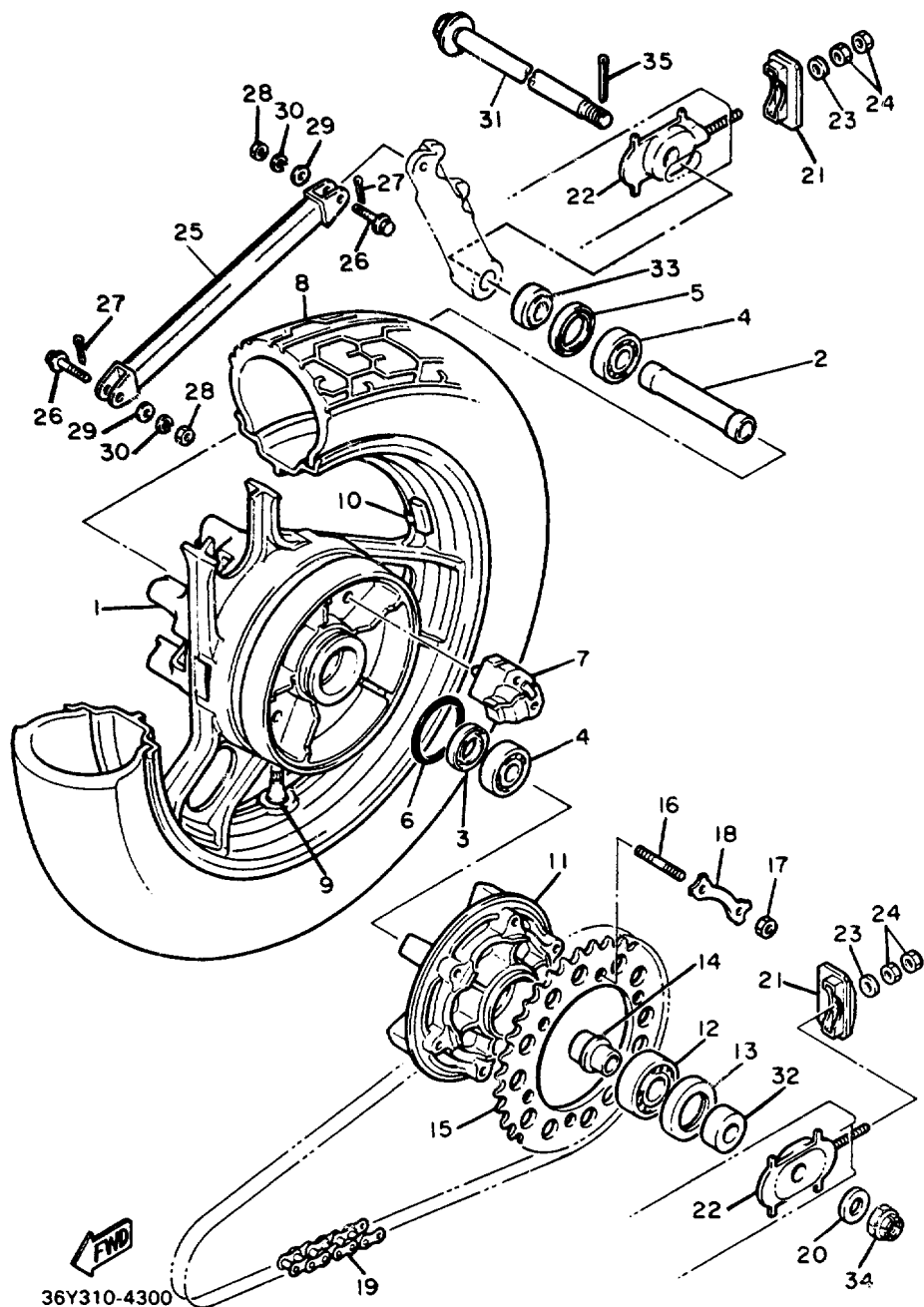
Ref. No.	Part Number	Description	Qty	Remarks
1	36Y-25168-00-98	WHEEL, CAST FRONT	1	LOW GLOSS BLK
2	90560-15255-00	SPACER	1	
3	146-25115-00-00	FLANGE, SPACER 1	1	
4	93306-30202-00	BEARING	2	
5	93102-22014-00	OIL SEAL	1	
6	341-25149-00-00	CLUTCH, METER	1	
7	341-25846-00-00	RETAINER, CLUTCH	1	
8	93105-45017-00	OIL SEAL	1	
9	94112-163J0-00	120/80V16 G533 BSV250 G533)	1	BRIDGESTONE
10	93900-00030-00	VALVE, RIM	1	
11	29L-25398-00-00	BALANCER, WHEEL (10G)	1	U.N.
	29L-25398-10-00	BALANCER, WHEEL (20G)	1	U.N.
	29L-25398-20-00	BALANCER, WHEEL (30G)	1	U.N.
12	3M5-25190-00-00	GEAR UNIT ASSEMBLY	1	
13	36Y-25181-00-00	AXLE, WHEEL	1	
14	90387-15550-00	COLLAR	1	
15	92990-14200-00	WASHER, PLAIN	1	
16	90185-14070-00	NUT, SELF-LOCKING	1	

# FRONT BRAKE-CALIPER



Ref. No.	Part Number	Description	Qty	Remarks
1	36Y-25831-00-00	DISC, BRAKE RH	1	
2	36Y-25831-10-00	DISC, BRAKE LH	1	
3	90109-08718-00	BOLT	12	
4	41Y-25810-01-00	CALIPER ASSEMBLY RH	1	
5	26H-W0045-11-00	. BRAKE PAD KIT	1	
6	31A-W0057-00-00	. PISTON ASSEMBLY, CALIPER	1	
7	31A-W0047-00-00	.. CALIPER SEAL KIT	1	
8	1J3-W0048-00-00	. BLEED SCREW KIT	1	
9	41Y-25810-11-00	CALIPER ASSEMBLY LH	1	
10	26H-W0045-11-00	. BRAKE PAD KIT	1	
11	31A-W0057-00-00	. PISTON ASSEMBLY, CALIPER	1	
12	31A-W0047-00-00	.. CALIPER SEAL KIT	1	
13	1J3-W0048-00-00	. BLEED SCREW KIT	1	
14	90105-10638-00	BOLT, WASHER BASED	4	
15	26H-25919-00-00	SUPPORT, PAD	1	
16	3HE-25924-00-00	PIN, PAD	1	
17	3HE-25925-00-00	CLIP	1	
18	41Y-25836-00-00	COVER, DUST	1	

# REAR WHEEL

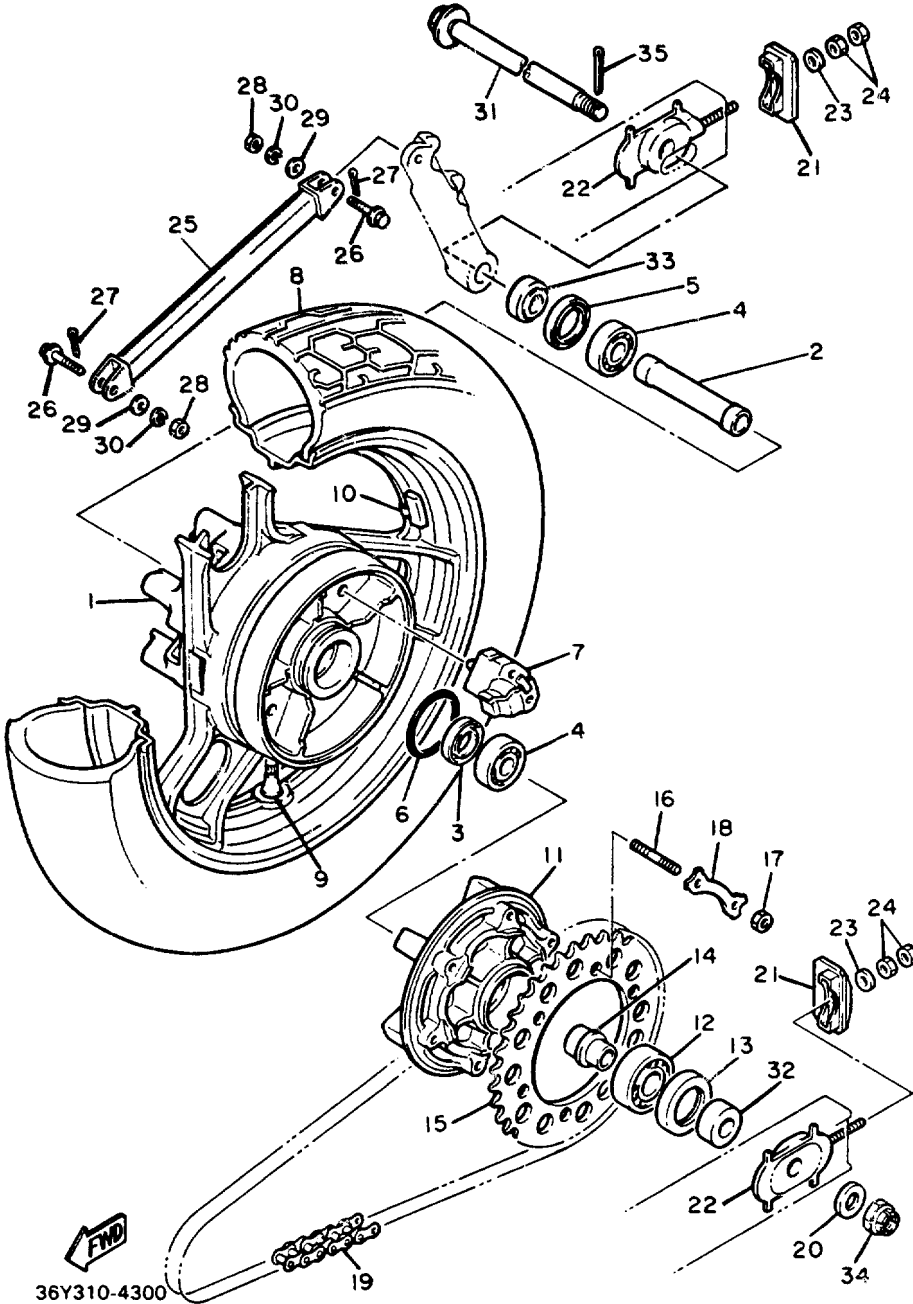


Ref. No.	Part Number	Description	Qty	Remarks
1	36Y-25338-01-98	WHEEL, CAST REAR	1	LOW GLOSS BLK
2	90560-20254-00	SPACER	1	
3	2H7-25315-00-00	FLANGE, SPACER	1	
4	93306-30417-00	BEARING (B6304ZZ)	2	
5	93106-40027-00	OIL SEAL	1	
6	93210-65752-00	O-RING	1	
7	2GH-25364-00-00	DAMPER	5	
8	94115-162N3-00	150/80V16 TL BS	1	BRIDGESTONE
9	93900-00030-00	VALVE, RIM	1	
10	29L-25398-00-00	BALANCER, WHEEL (10G)	1	U.N.
	29L-25398-10-00	BALANCER, WHEEL (20G)	1	U.N.
	29L-25398-20-00	BALANCER, WHEEL (30G)	1	U.N.
11	36Y-25366-01-00	CLUTCH, HUB	1	
12	93306-30507-00	BEARING	1	
13	93106-42026-00	OIL SEAL	1	
14	36Y-25377-00-00	COLLAR, WHEEL	1	
15	36Y-25442-20-00	SPROCKET, DRVN 42T	1	YAMAHA BLACK
16	90116-10449-00	BOLT, STUD	6	
17	95701-10500-00	NUT, FLANGE (95702-10500)	6	
18	36Y-25412-00-00	WASHER	3	
19	94580-94110-00	D1D50ZL-110LFJ12 0	1	
20	90201-18264-00	WASHER, PLATE	1	
21	36Y-25389-00-00	PULLER, CHAIN 2	2	
22	36Y-25388-01-00	PULLER, CHAIN 1	2	
23	92990-08200-00	WASHER, PLAIN	2	
24	95333-08600-00	NUT	4	
25	36Y-25371-00-00	BAR, TENSION	1	
26	90105-08315-00	BOLT, WASHER BASED	2	
27	91490-20020-00	PIN, COTTER	2	

Minimum Brake Lining Thickness Front / Rear	0.5mm / 0.5mm
Tire Size (Nominal Pressure) Front / Rear	120/80-V16 (33 psi) / 150/80-V16 (36 psi)
Rear Axle Nut	M18: 15.0 m-kg (110 ft/lb)
Rear Axle Pinch Bolt	•

CONTINUED ON NEXT FRAME ➤

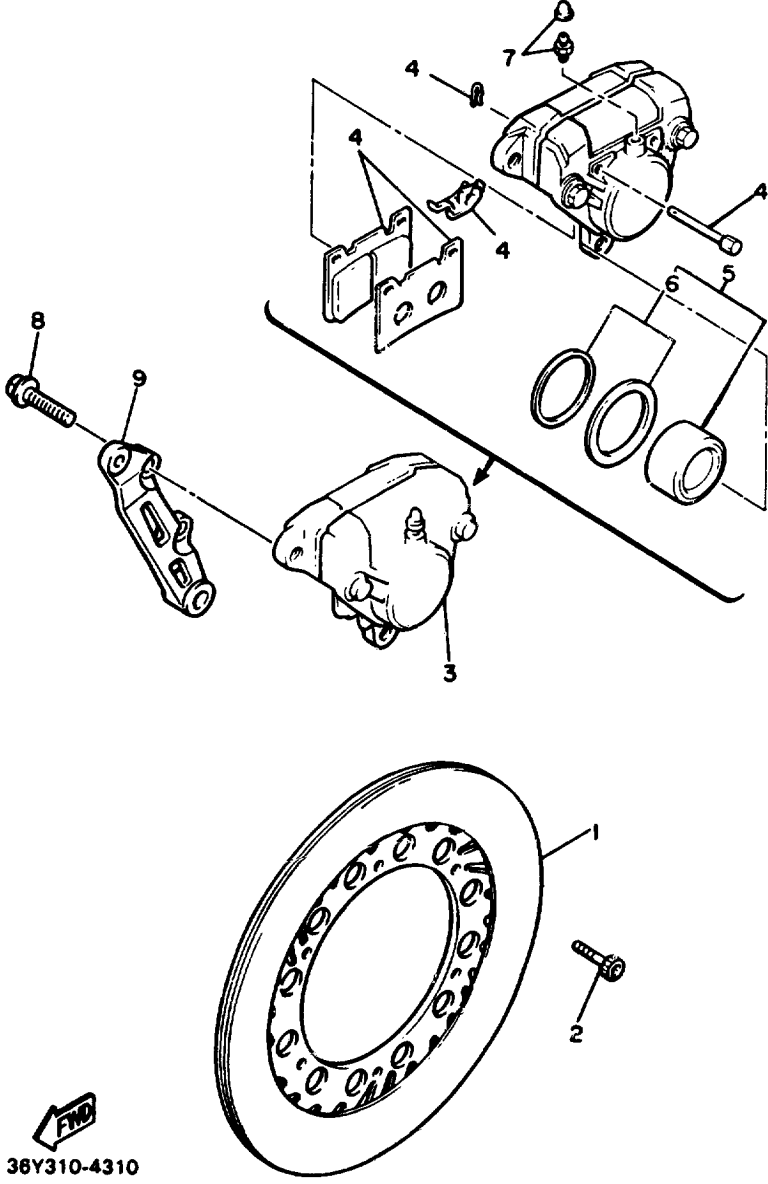
# REAR WHEEL



Ref. No.	Part Number	Description	Qty	Remarks
28	95303-08700-00	NUT .....	2	
29	92901-08600-00	WASHER .....	2	
30	92990-08100-00	WASHER .....	2	
31	36Y-25381-00-00	AXLE, WHEEL .....	1	
32	90387-203U4-00	COLLAR .....	1	
33	90387-200J2-00	COLLAR .....	1	
34	90171-18043-00	NUT, CASTLE .....	1	
35	91401-40040-00	PIN, COTTER .....	1	

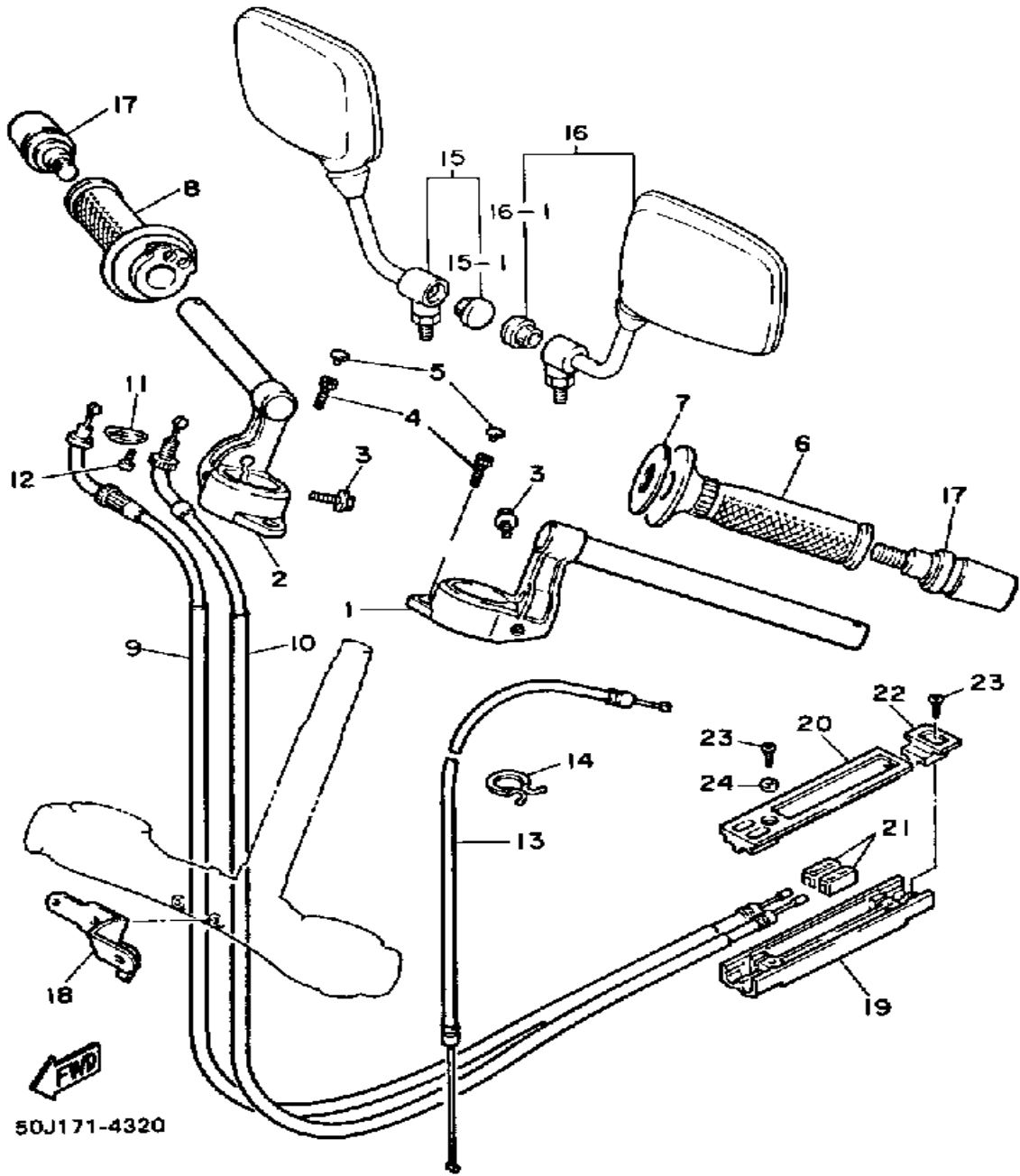
Minimum Brake Lining Thickness Front / Rear	0.5mm / 0.5mm
Tire Size (Nominal Pressure) Front / Rear	120/80-V16 (33 psi) / 150/80-V16 (36 psi)
Rear Axle Nut	M18: 15.0 m·kg (110 ft·lb)
Rear Axle Pinch Bolt	•

# REAR BRAKE-CALIPER



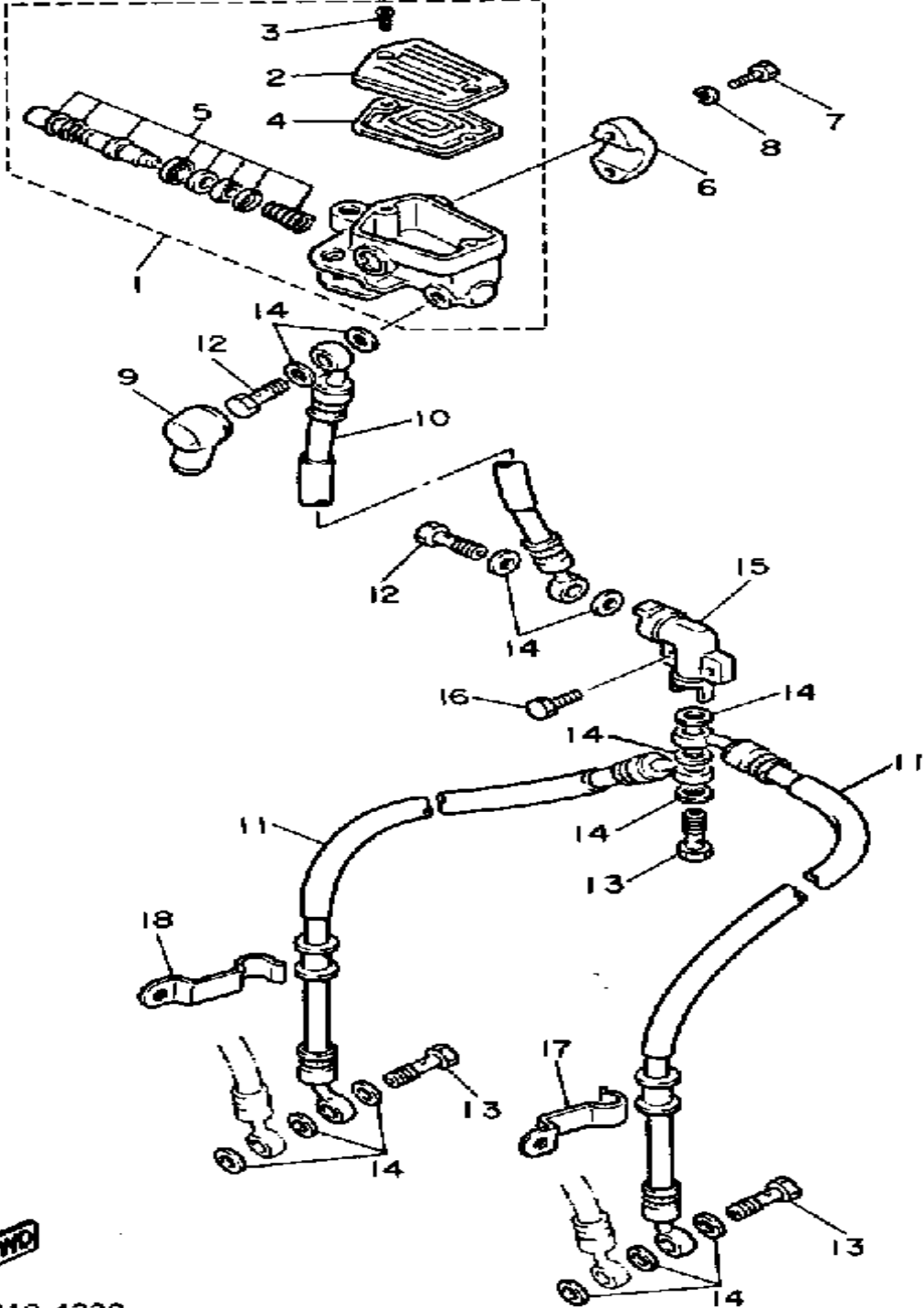
Ref. No.	Part Number	Description	Qty	Remarks
1	36Y-25831-00-00	DISC, BRAKE RH .....	1	
2	90109-08718-00	BOLT .....	6	
3	41Y-25810-52-00	CALIPER ASSEMBLY (41Y-25810-50) .....	1	
4	1FK-W0046-01-00	. BRAKE PAD KIT 2 .....	1	
5	31A-W0057-00-00	. PISTON ASSEMBLY, CALIPER	1	
6	31A-W0047-00-00	.. CALIPER SEAL KIT .....	1	
7	1J3-W0048-00-00	. BLEED SCREW KIT .....	1	
8	90105-10638-00	BOLT, WASHER BASED .....	2	
9	36Y-25819-00-00	BRACKET, CALIPER .....	1	

# HANDLEBAR-CABLE



Ref. No.	Part Number	Description	Qty	Remarks
1	36Y-26121-00-00	HANDLEBAR LH	1	
2	36Y-26122-00-00	HANDLEBAR RH	1	
3	95026-08035-00	BOLT, FLANGE	2	
4	91316-06016-00	BOLT, SOCKET HEAD	2	
5	2H9-23469-00-00	CAP, BOLT	2	
6	31A-26241-00-00	GRIP (LEFT)	1	
7	31A-26249-00-00	RING, LEAF	1	
8	36Y-26240-00-00	GRIP ASSEMBLY	1	
9	36Y-26311-01-00	CABLE, THROTTLE 1	1	
10	36Y-26312-01-00	CABLE, THROTTLE 2	1	
11	5H0-26393-00-00	HOLDER	1	
12	98506-05008-00	SCREW, PAN HEAD	1	
13	31A-26331-00-00	CABLE, STARTER 1	1	
14	90464-23041-00	CLAMP	1	
15	36Y-26290-T0-00	MIRROR ASSEMBLY RHASSEMBLY (RIGHT)	1	
16	36Y-26290-G0-00	MIRROR ASSEMBLY LHASSEMBLY (LEFT)	1	
17	36Y-26246-00-00	END, GRIP	2	
18	36Y-21343-00-00	BRACKET, HORN	1	
19	36Y-26261-00-00	CONNECTOR, CABLE	1	
20	36Y-26262-00-00	CAP, CABLE CONNECTOR	1	
21	26H-26244-01-00	SLIDER, THROTTLE	2	
22	36Y-26272-00-00	CAP	1	
23	97706-30112-00	SCREW, TAPPING	3	
24	92906-03200-00	WASHER	2	
15-1	36Y-26133-00-00	. CAP, MIRROR	1	
16-1	36Y-26133-00-00	. CAP, MIRROR	1	

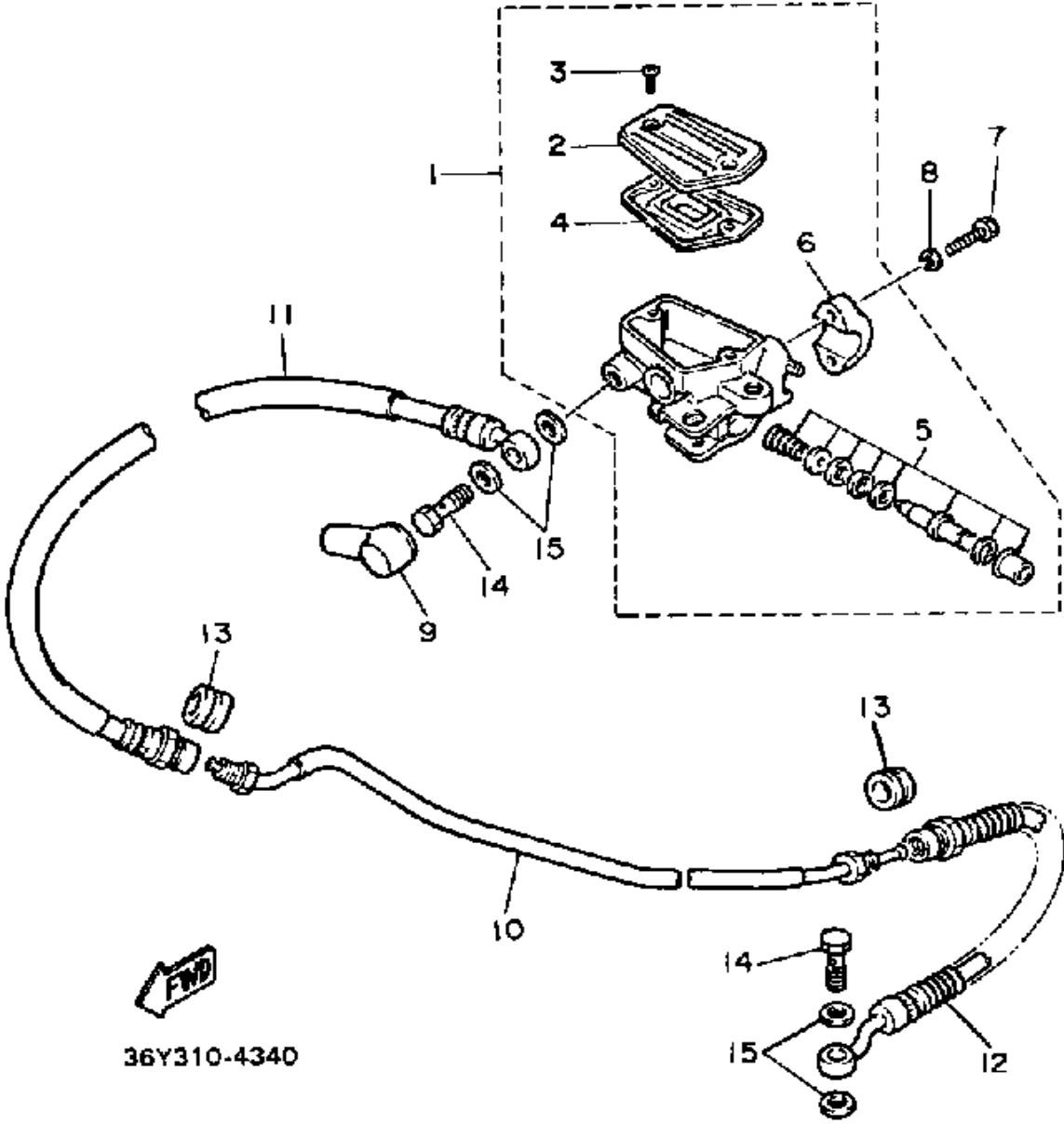
# FRONT MASTER CYLINDER



**FWD**  
36Y310-4330

Ref. No.	Part Number	Description	Qty	Remarks
1	36Y-25850-01-00	MASTER CYLINDER ASSEMBLY	1	
2	36Y-25852-01-00	. CAP, RESERVOIR	1	
3	98706-04012-00	. SCREW, FLAT HEAD	2	
4	36Y-25854-00-00	. DIAPHRAGM, RESERVOIR	1	
5	36Y-W0041-00-00	. CYLINDER KIT, MASTER	1	
6	4L0-25867-00-00	BRACKET, MASTER CYLINDER	1	
7	91316-06025-00	BOLT	2	
8	92906-06100-00	WASHER, SPRING	2	
9	4L0-25862-00-00	BOOT, MASTER CYLINDER	1	
10	36Y-25872-01-00	HOSE, BRAKE 1	1	
11	36Y-25873-01-00	HOSE, BRAKE 2	2	
12	90401-10096-00	BOLT, UNION	2	
13	90401-10095-00	BOLT, UNION	3	
14	90201-10118-00	WASHER, PLATE	13	
15	11U-25885-00-00	JOINT	1	
16	91316-06025-00	BOLT	2	
17	36Y-25875-00-00	HOLDER, BRKE HOSE 1	1	
18	36Y-25876-00-00	HOLDER, BRKE HOSE 2	1	

# FRONT MASTER CYLINDER 2

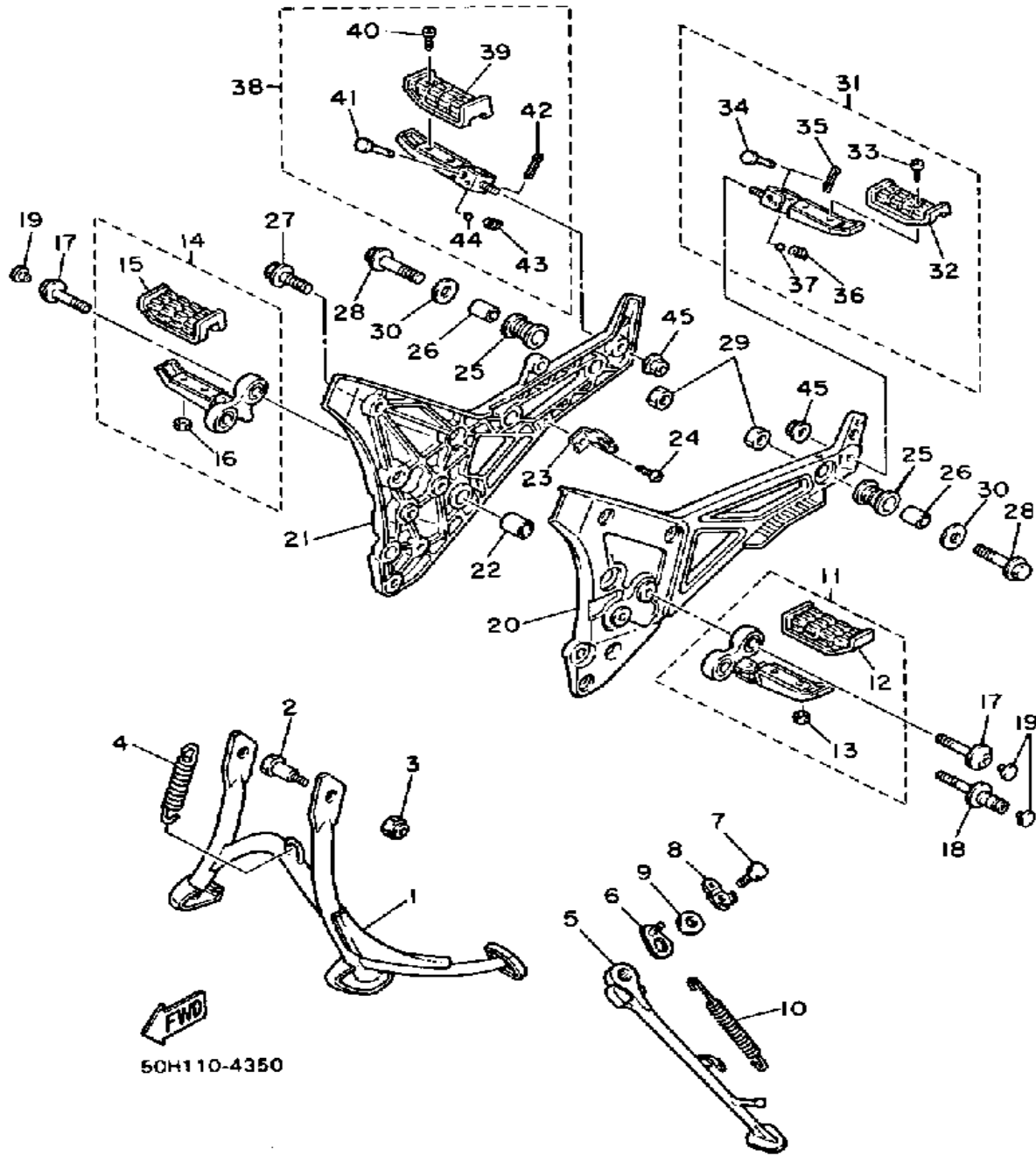


36Y310-4340

Ref. No.	Part Number	Description	Qty	Remarks
1	36Y-26450-00-00	MASTER CYLINDER. ASSEMBLY ASSEMBLY (CLUTCH)	1	
2	36Y-26452-00-00	. CAP, RESERVOIR	1	
3	98706-04012-00	. SCREW, FLAT HEAD	2	
4	36Y-26454-00-00	. DIAPH., RESERVOIR RESERVOIR	1	
5	36Y-W0099-00-00	. CYLINDER. KIT, CLUTCH MASTER (CLUTCH)	1	
6	36Y-25867-00-00	. BRACKET, MASTER CYLINDER	1	
7	91316-06025-00	BOLT	2	
8	92906-06100-00	WASHER, SPRING	2	
9	4L0-25862-00-00	BOOT, MASTER CYLINDER	1	
10	36Y-26471-00-00	PIPE	1	
11	36Y-26472-00-00	HOSE, CLUTCH 1	1	
12	36Y-26473-00-00	HOSE, CLUTCH 2	1	
13	341-25881-00-00	PROTECTOR, BRAKE HOSE	2	
14	90401-10096-00	BOLT, UNION	2	
15	90201-10118-00	WASHER, PLATE	4	



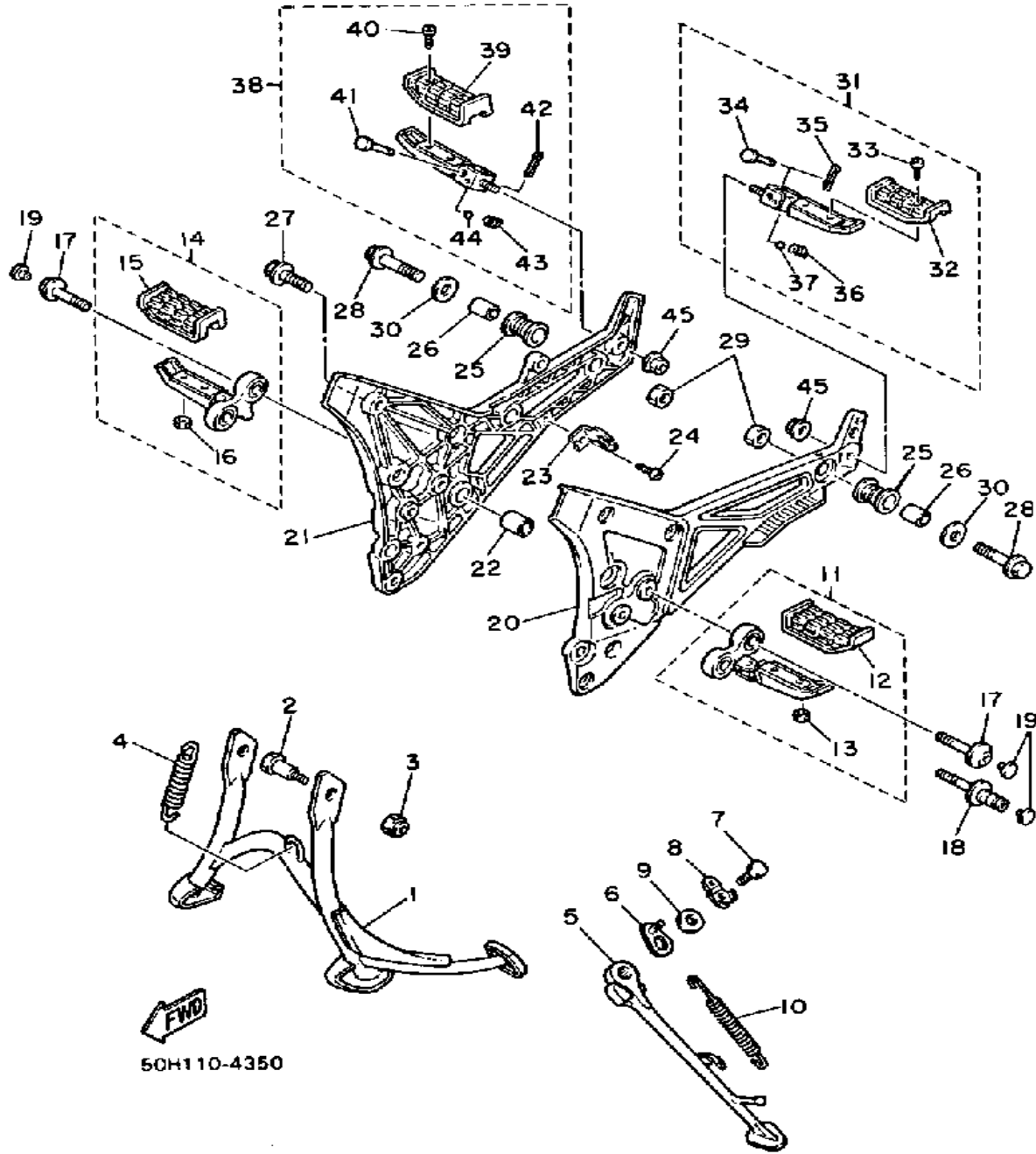
# STAND-FOOTREST



Ref. No.	Part Number	Description	Qty	Remarks
1	36Y-27111-01-33	STAND, MAIN	1	YAMAHA BLACK
2	90109-10658-00	BOLT	2	
3	90185-10091-00	NUT, SELF-LOCKING	2	
4	90506-45278-00	SPRING, TENSION	1	
5	47M-27311-00-35	STAND, SIDE (47M-27311-00-35)	1	METALLIC SILVER
6	36Y-27352-00-00	HOOK, SIDE STAND	1	
7	97016-08020-00	BOLT	1	
8	36Y-27322-00-00	WASHER, SIDE STAND	1	
9	90201-087H3-00	WASHER, PLATE	1	
10	90506-29358-00	SPRING, TENSION	1	
11	3CV-27410-00-00	FRT FOOTREST ASSEMBLY LASSEMBLY (LEFT)	1	
12	22N-27413-00-00	. COVER, FOOTREST	1	
13	95601-06100-00	. NUT, U	2	
14	3CV-27420-00-00	FRT FOOTREST ASSEMBLY RASSEMBLY (RIGHT)	1	
15	22N-27413-00-00	. COVER, FOOTREST	1	
16	95601-06100-00	. NUT, U	2	
17	36Y-27416-00-00	BOLT, FOOTREST	3	
18	90109-081A5-00	BOLT	1	
19	90338-08163-00	PLUG	4	
20	36Y-27442-00-00	BRACKET 2	1	
21	36Y-27443-00-00	BRACKET 3	1	
22	90386-20130-00	BUSH, SPEC'L NYLON	1	
23	36Y-2741L-00-00	BRACKET 4	1	
24	98580-05010-00	SCREW, PAN HEAD	1	
25	36Y-27424-00-00	DAMPER, FOOTREST 2	2	
26	90387-104L8-00	COLLAR	2	
27	90105-08307-00	BOLT, WASHER BASED	2	

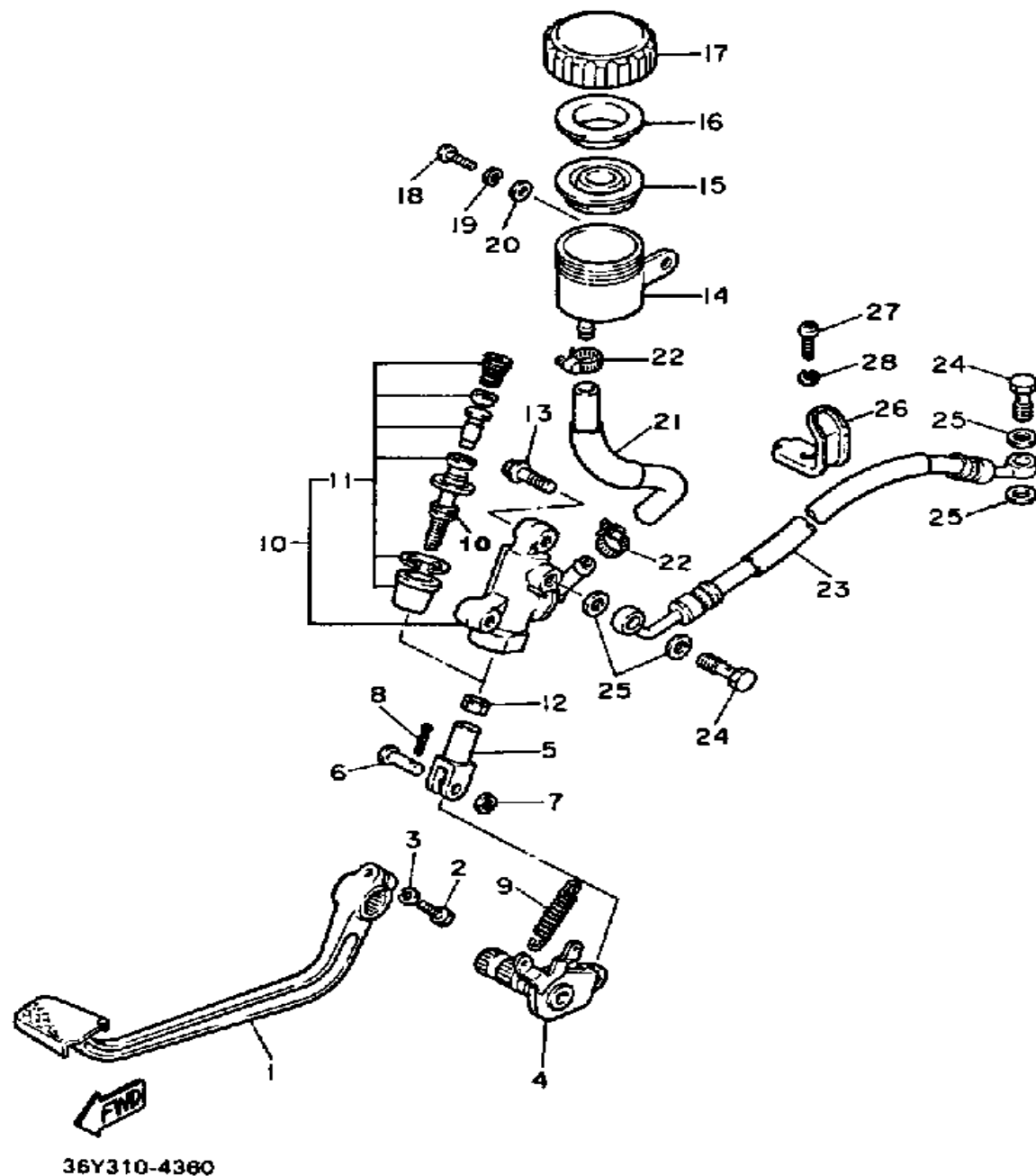
CONTINUED ON NEXT FRAME ►

# STAND-FOOTREST



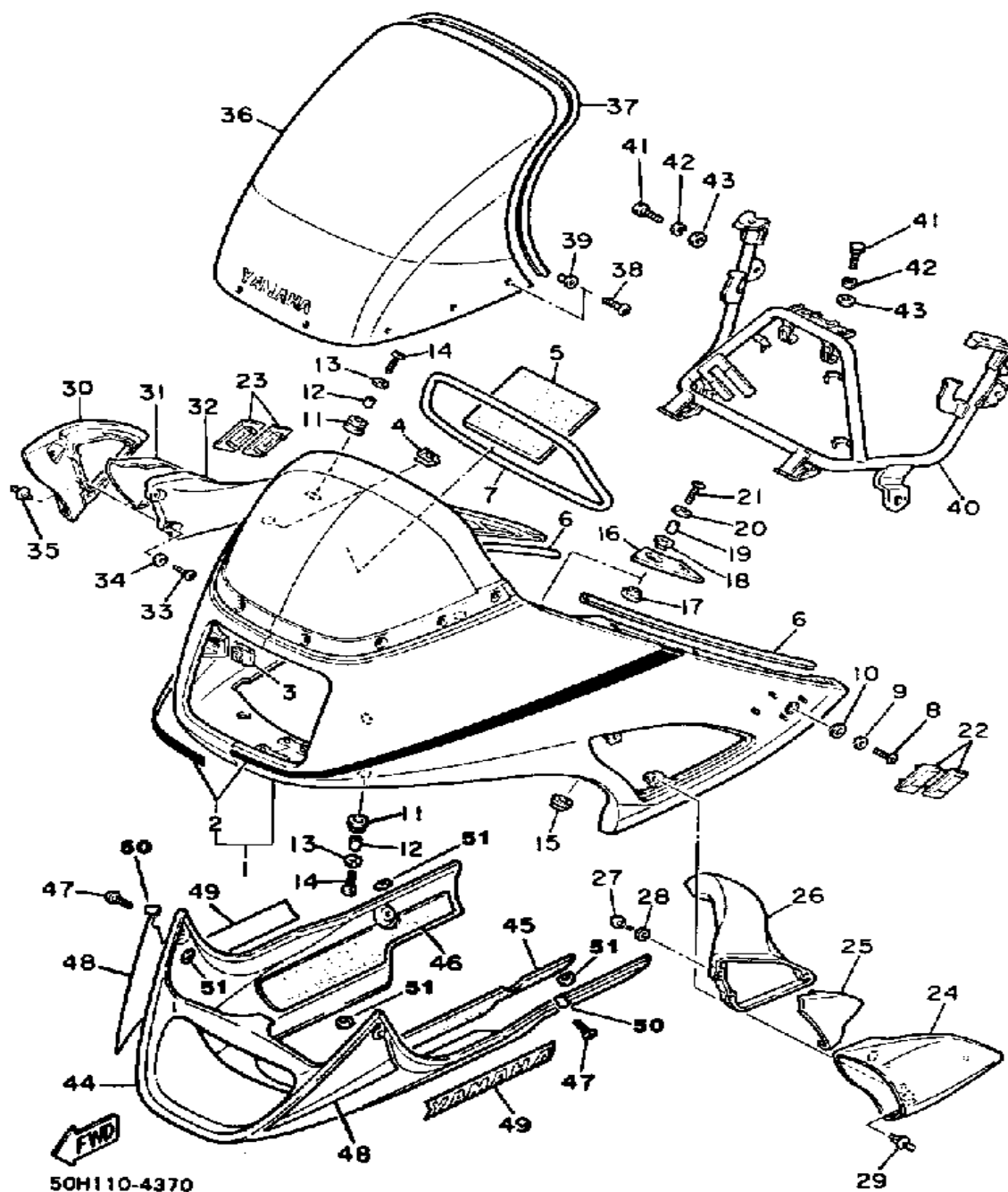
Ref. No.	Part Number	Description	Qty	Remarks
28	90105-10316-00	BOLT, WASHER BASED	2	
29	90179-10276-00	NUT, SPEC'L SHAPE	2	
30	90201-10669-00	WASHER, PLATE	2	
31	29L-27430-00-00	RR FOOTREST ASSEMBLY 1	1	
32	22N-27433-00-00	. COVER, RR FOOTREST	1	
33	98506-05010-00	. SCREW, PAN HEAD	2	
34	91701-06035-00	. PIN, CLEVIS	1	
35	91490-16020-00	. PIN, COTTER	1	
36	90501-16761-00	. SPRING, COMPRESSION	1	
37	93501-04011-00	. BALL	1	
38	29L-27440-00-00	RR FOOTREST ASSEMBLY 2	1	
39	22N-27433-00-00	. COVER, RR FOOTREST	1	
40	98506-05010-00	. SCREW, PAN HEAD	2	
41	91701-06035-00	. PIN, CLEVIS	1	
42	91490-16020-00	. PIN, COTTER	1	
43	90501-16761-00	. SPRING, COMPRESSION	1	
44	93501-04011-00	. BALL	1	
45	95701-10500-00	NUT, FLANGE (95702-10500)	2	

# REAR MASTER CYLINDER



Ref. No.	Part Number	Description	Qty	Remarks
1	3XW-27211-00-00	PEDAL, BRAKE .....	1	
2	90109-06468-00	BOLT .....	1	
3	92995-06100-00	WASHER, SPRING .....	1	
4	36Y-27212-00-00	SHAFT, BRAKE PEDAL .....	1	
5	31A-27222-00-00	JOINT .....	1	
6	90240-08013-00	PIN, CLEVIS .....	1	
7	90201-08083-00	WASHER, PLATE .....	1	
8	91490-20020-00	PIN, COTTER .....	1	
9	90506-20192-00	SPRING, TENSION .....	1	
10	36Y-25850-51-00	MSTR CYLINDER ASSEMBLY .	1	
11	36Y-W0042-51-00	. CYLINDER.KIT, MASTER ....	1	
12	95303-08700-00	NUT .....	1	
13	95023-08030-00	SCREW .....	2	
14	31A-25894-01-00	TANK, RESERVOIR .....	1	
15	360-25854-00-00	DIAPHRAGM, RESERVOIR ...	1	
16	2GU-25855-00-00	BUSH, DIAPHRAGM .....	1	
17	2KF-25852-50-00	CAP, RESERVOIR .....	1	
18	98580-06020-00	SCREW .....	1	
19	92995-06100-00	WASHER, SPRING .....	1	
20	92990-06200-00	WASHER .....	1	
21	36Y-25895-00-00	HOSE, RESERVOIR .....	1	
22	90601-11525-00	CLAMP, HOSE .....	2	
23	36Y-25872-51-00	HOSE, BRAKE 1 .....	1	
24	90401-10096-00	BOLT, UNION .....	2	
25	90201-10118-00	WASHER, PLATE .....	4	
26	(36Y-25875-50-00)	HOLDER, BRKE HOSE 1 .....	1	
27	98580-06020-00	SCREW .....	1	
28	92995-06100-00	WASHER, SPRING .....	1	

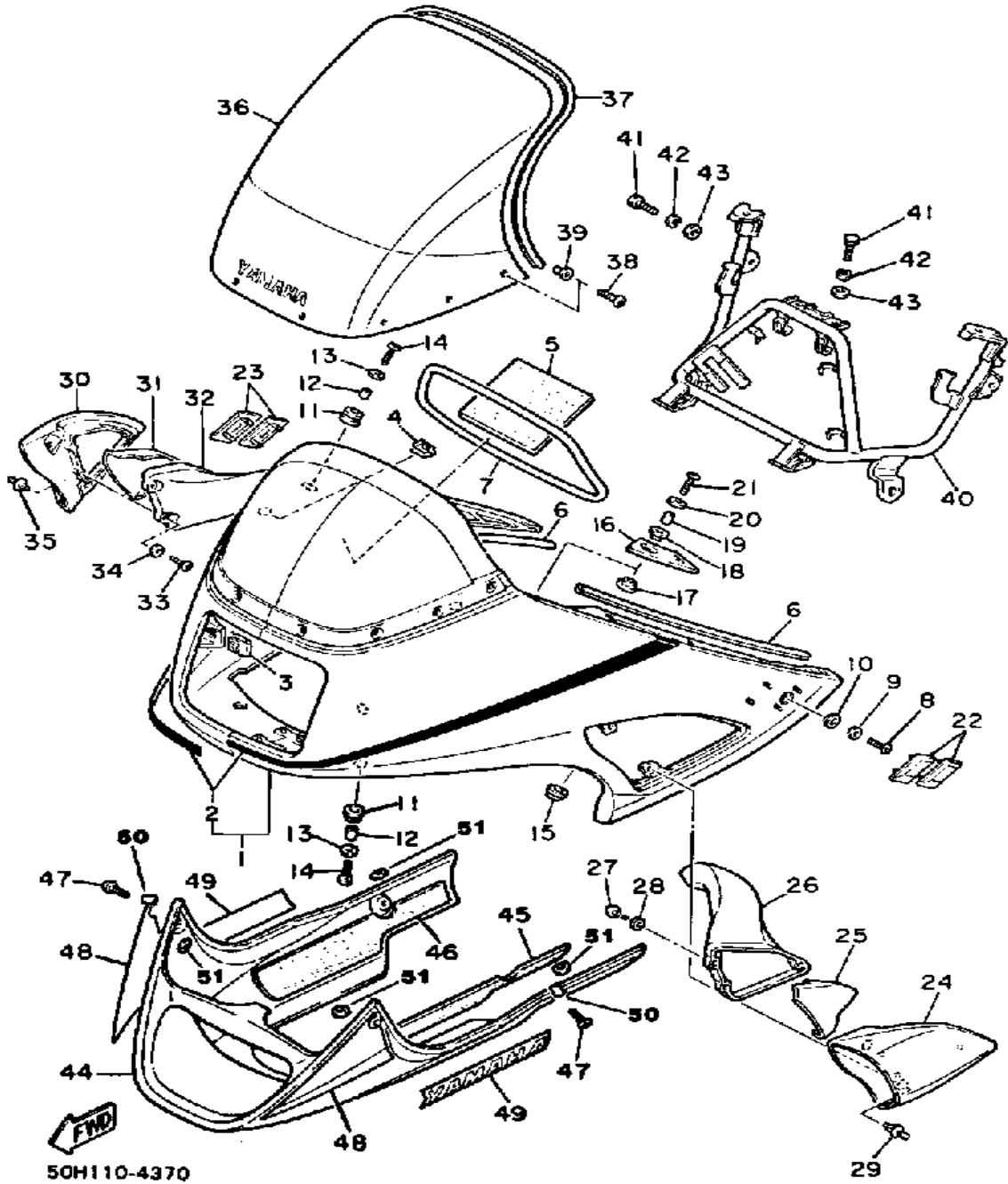
# FAIRING 1



Ref. No.	Part Number	Description	Qty	Remarks
1	50H-Y2835-00-3X	COWLING .....	1	QUARTZ SILVER/STORMY RED
	50H-Y2835-10-1X	COWLING ASSEMBLY .....	1	STORMY RED/SILKY WHITE
2	47M-28390-00-00	. GRPHC SET, COWLING COWLING .....	1	
	47M-28390-10-00	. GRAPHICSET, COWLING COWLING .....	1	
3	36Y-28363-00-00	NUT .....	2	
4	36Y-28364-00-00	NUT .....	2	
5	36Y-28371-00-00	DAMPER .....	1	
6	36Y-28346-00-00	MOLD 2 .....	2	
7	36Y-28348-00-00	MOLE 4 .....	1	
8	98503-06014-00	SCREW, PAN HEAD (92502-06016) .....	2	
9	90201-06M08-00	WASHER, PLATE .....	2	
10	36Y-28323-00-00	WASHER, LEG SHIELD .....	2	
11	90480-16404-00	GROMMET .....	3	
12	90387-07598-00	COLLAR .....	3	
13	90201-063J2-00	WASHER, PLATE .....	3	
14	90150-06018-00	SCREW, ROUND HEAD .....	3	
15	90480-01405-00	GROMMET .....	2	
16	36Y-2839K-00-00	LID 1 .....	1	
17	90480-16402-00	GROMMET .....	1	
18	90480-16403-00	GROMMET .....	1	
19	90387-07598-00	COLLAR .....	1	
20	90201-063J2-00	WASHER, PLATE .....	1	
21	90150-06018-00	SCREW, ROUND HEAD .....	1	
22	36Y-2832M-00-00	PROTECTOR 1 .....	2	
23	36Y-2832N-00-00	PROTECTOR 2 .....	2	

CONTINUED ON NEXT FRAME ►

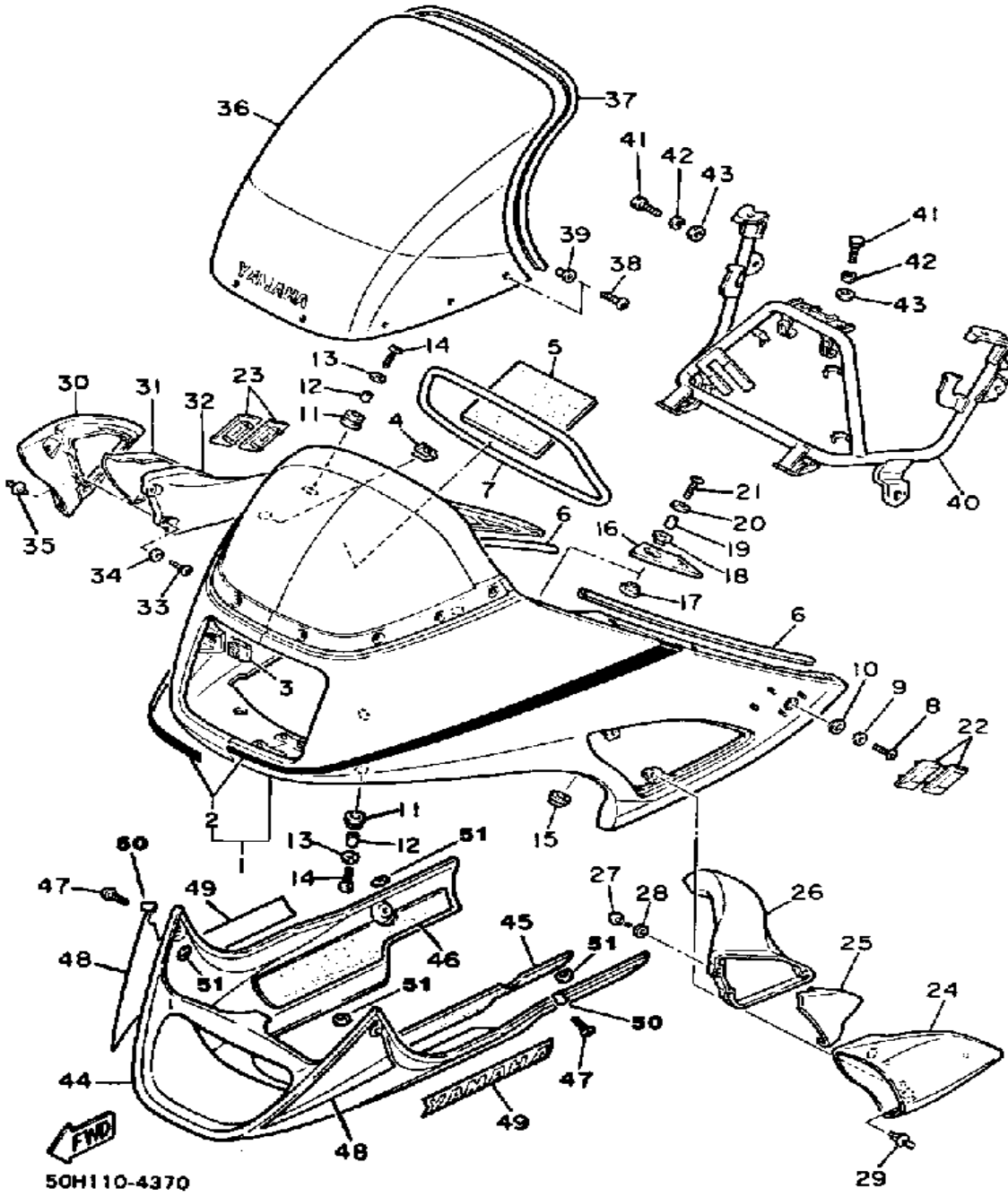
# FAIRING 1



Ref. No.	Part Number	Description	Qty	Remarks
24	36Y-2837N-00-1U	GRILL, AIR INTAKE 1	1	QUARTZ SILVER
	36Y-2837N-00-AJ	GRILL, AIR INTAKE	1	STORMY RED
25	36Y-2838T-00-00	DUCT 3	1	
26	36Y-2838N-00-00	DUCT 1	1	
27	97780-40112-00	SCREW, TAPPING	3	
28	92990-04200-00	WASHER, PLAIN	3	
29	36Y-28387-00-00	RIVET	2	
30	36Y-2837R-00-1U	GRILL, AIR INTAKE 2	1	QUARTZ SILVER
	36Y-2837R-00-AJ	GRILL, AIR INTAKE 2	1	STORMY RED
31	36Y-2838U-00-00	DUCT 4	1	
32	36Y-2838R-00-00	DUCT 2	1	
33	97780-40112-00	SCREW, TAPPING	3	
34	92990-04200-00	WASHER, PLAIN	3	
35	36Y-28387-00-00	RIVET	2	
36	50J-28381-00-00	WINDSHIELD	1	
37	36Y-28376-00-00	TRIM	1	
38	90149-05199-00	SCREW, SPEC'L SHAPE	8	
39	90179-05525-00	NUT	8	
40	36Y-28359-00-00	STAY 2	1	
41	97013-06012-00	BOLT	4	
42	92995-06100-00	WASHER, SPRING	4	
43	90201-061A5-00	WASHER, PLATE	4	
44	36Y-28385-00-AJ	COVER, LOWER	1	STORMY RED
	36Y-28385-00-GE	COVER, LOWER	1	SILKY WHITE
45	36Y-2848K-00-00	SEAT 2	1	
46	36Y-2848L-00-00	SEAT 3	1	
47	90110-06078-00	BOLT, HEXAGON SOCKET	4	
48	36Y-28301-00-00	GRAPHICSET, LWR-CVR	1	
	47M-28301-00-00	GRAHIC SET, LWR CVR	1	

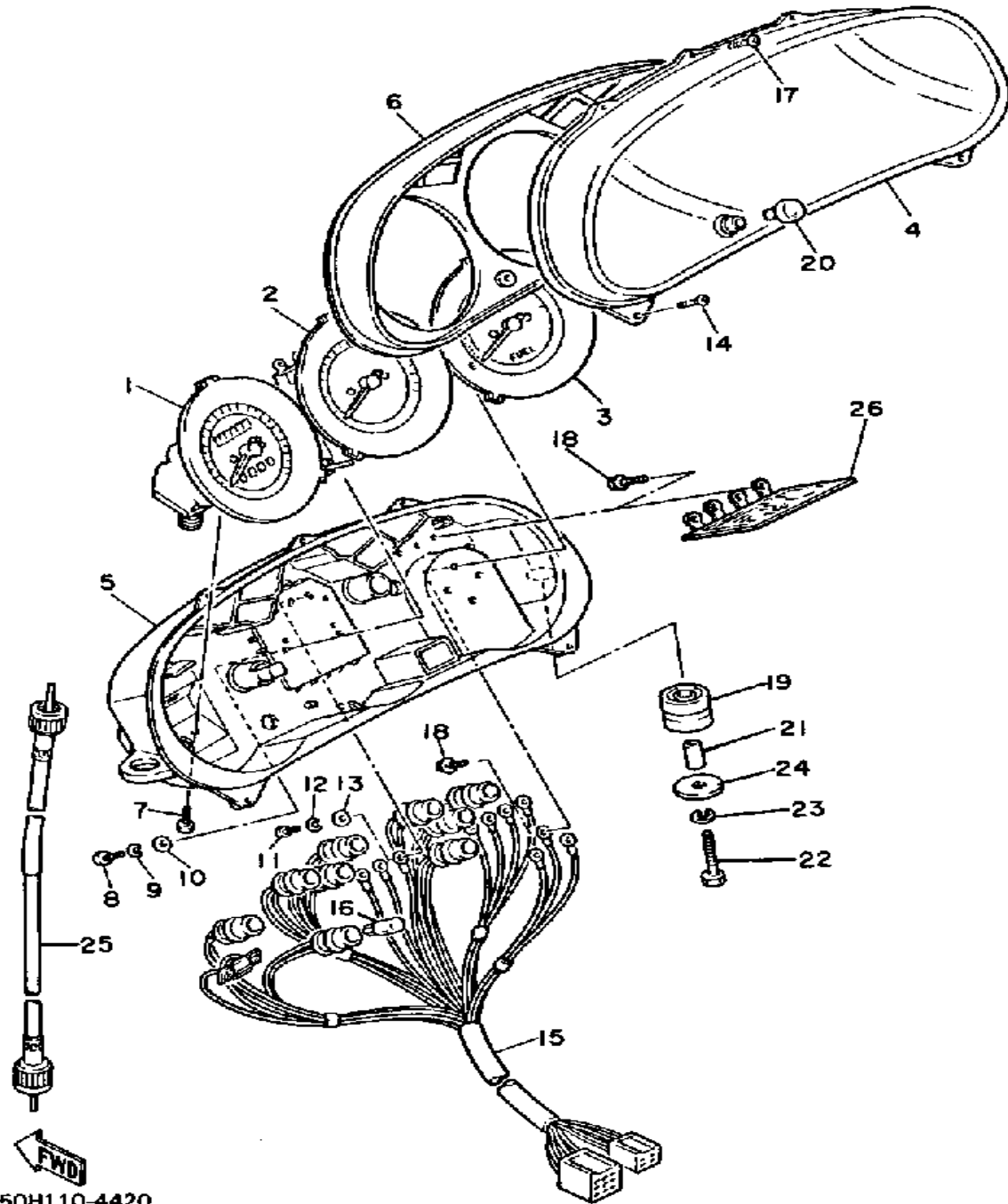
CONTINUED ON NEXT FRAME ➤

# FAIRING 1



Ref. No.	Part Number	Description	Qty	Remarks
49	36Y-28398-00-00	GRAPHIC 5 .....	2	
	47M-28398-00-00	GRAPHIC 5 .....	2	
50	90387-06701-00	COLLAR .....	4	
51	90202-11161-00	WASHER, PLATE .....	4	

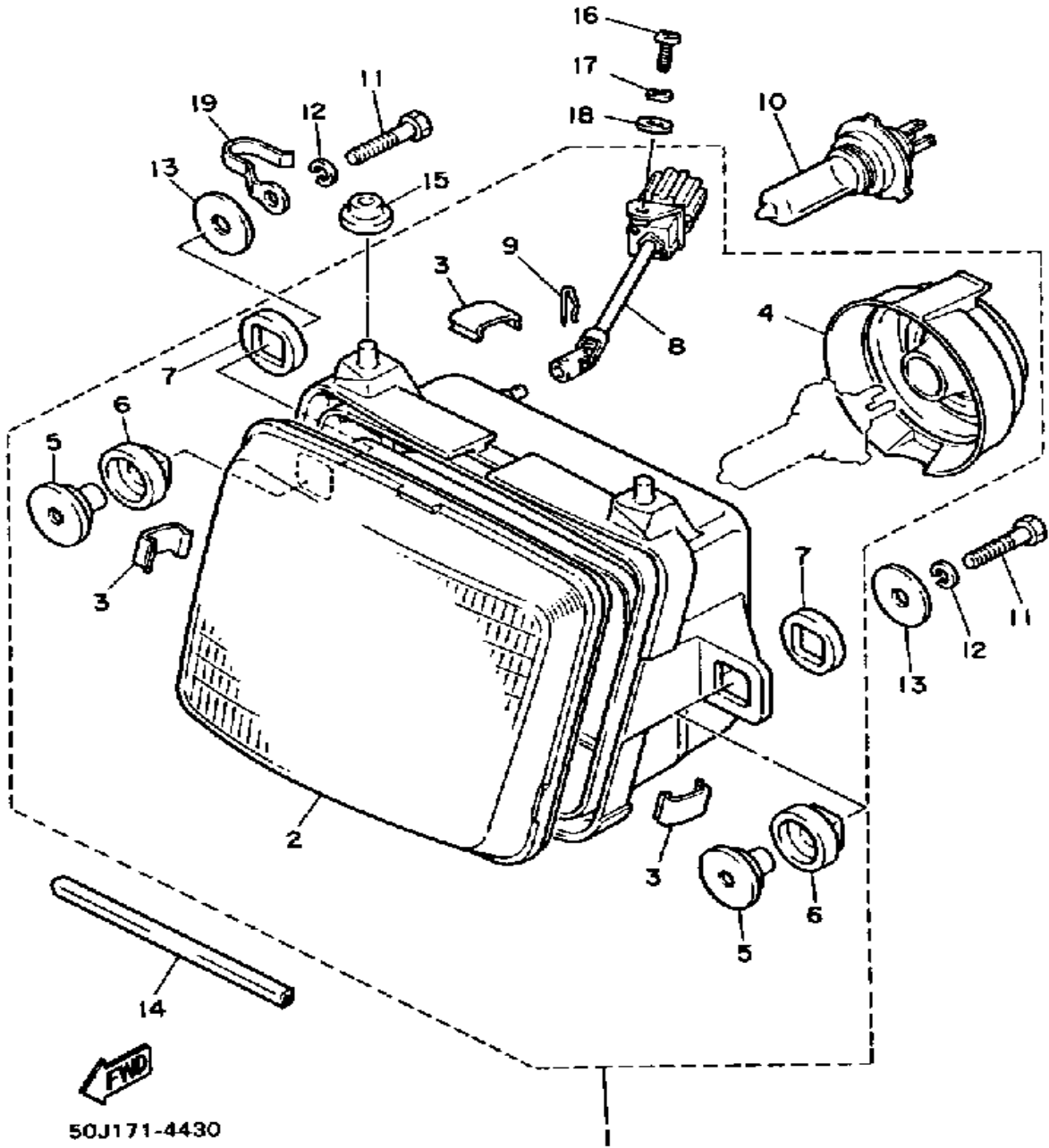
# METER



50H110-4420

Ref. No.	Part Number	Description	Qty	Remarks
1	47M-83570-A0-00	SPEEDOMETER ASSEMBLY ..	1	
2	36Y-83540-01-00	TACHOMETER ASSEMBLY ...	1	
3	36Y-85750-02-00	FUEL METER ASSEMBLY ....	1	
4	36Y-83511-00-00	LENS, SPEEDOMETER .....	1	
5	36Y-8353H-00-00	CASE, INNER .....	1	
6	36Y-83612-00-00	COVER, METER PANEL .....	1	
7	90167-04021-00	SCREW, TAPPING .....	2	
8	98511-04012-00	SCREW, PAN HEAD .....	2	
9	92901-04600-00	WASHER, PLATE .....	2	
10	92901-04600-00	WASHER, PLATE .....	2	
11	98580-03010-00	SCREW, PAN HEAD (98502-03010) .....	3	
12	92990-03100-00	WASHER, SPRING (92901-03100) .....	3	
13	92902-03600-00	WASHER .....	3	
14	90164-04005-00	SCREW, TAPPING .....	2	
15	36Y-83509-00-00	SOCKET CORD ASSEMBLY ..	1	
16	4G1-84744-00-00	BULB, MTR.12V3.4W .....	9	
17	97701-30514-00	SCREW, TAPPING .....	3	
18	90159-03102-00	SCREW, WITH WASHER .....	3	
19	36Y-83523-00-00	DAMPER .....	2	
20	36Y-83578-00-00	KNOB, TRIP METER .....	1	
21	90387-060J4-00	COLLAR .....	2	
22	97313-06040-00	BOLT, HEXAGON .....	2	
23	92995-06100-00	WASHER, SPRING .....	2	
24	90201-060A3-00	WASHER, PLATE .....	2	
25	34X-83550-01-00	SPEEDOMETER CABLE ASSEMBLY .....	1	
26	36Y-8359J-00-00	OVER-REV LIMITER .....	1	

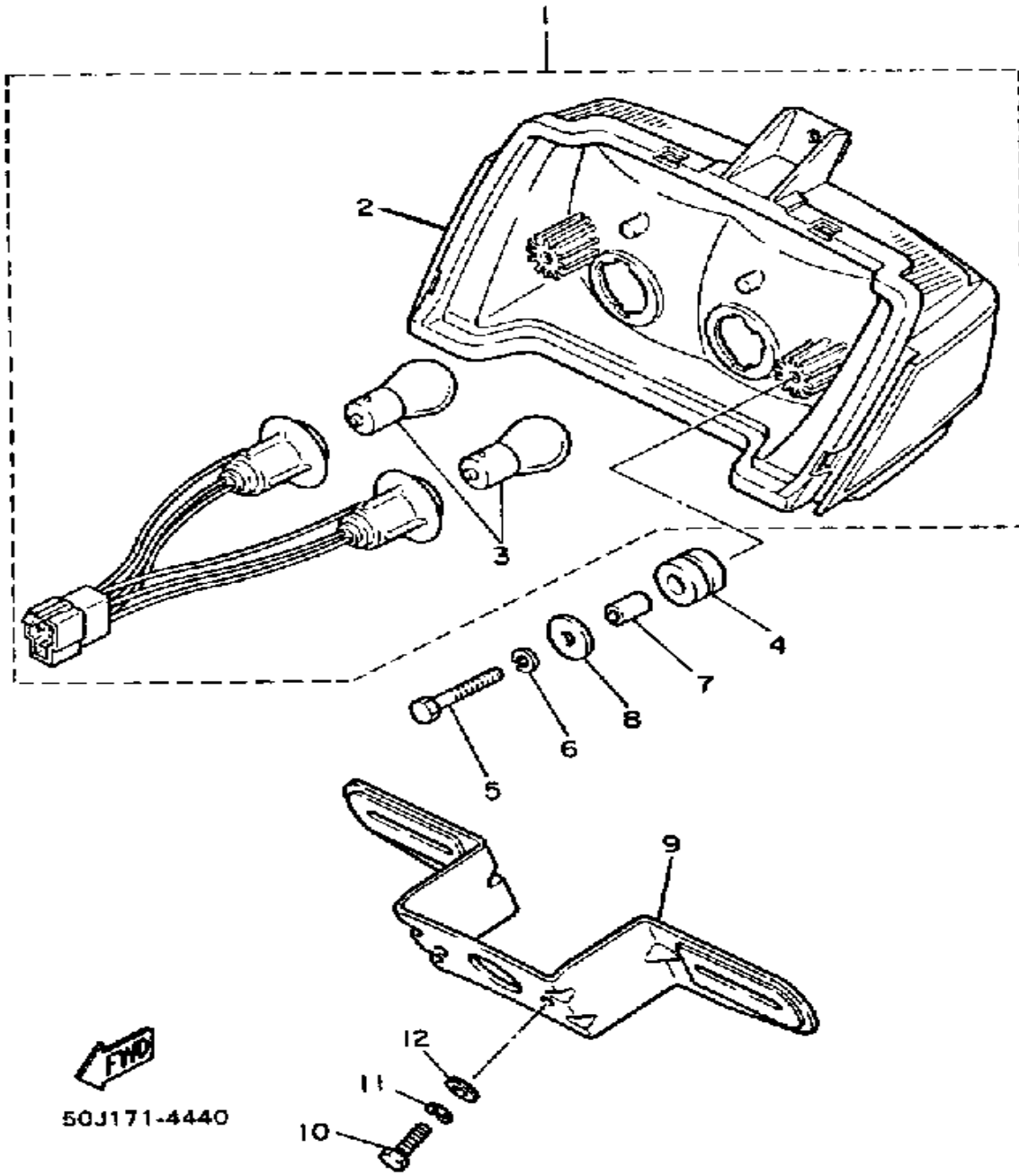
# HEADLIGHT



Ref. No.	Part Number	Description	Qty	Remarks
1	47M-84320-A0-00	LENS ASSEMBLY	1	
2	47M-84320-A0-00	. LENS ASSEMBLY	1	
3	36Y-84324-00-00	. SPRING, REFLECTOR	3	
4	36Y-84397-00-00	. COVER, SOCKET	1	
5	498-84145-60-00	. COLLAR, BODY FITTING	2	
6	498-84163-60-00	. DAMPER	2	
7	498-84164-60-00	. DAMPER	2	
8	36Y-8431M-00-00	. ROD ASSEMBLY	1	
9	36Y-8431V-00-00	. PIN	1	
10	5V2-84314-00-XX	BULB, HL 12V60/55W (2F9-84314-00)	1	LM
11	97313-08035-00	BOLT, HEXAGON	2	
12	92990-08100-00	WASHER	2	
13	90201-085E6-00	WASHER PLATE	2	
14	36Y-84343-00-00	MOLE, HEADLIGHT	1	
15	36Y-84354-00-00	GROMMET	2	
16	98516-06012-00	SCREW, PAN HEAD	1	
17	92906-06100-00	WASHER, SPRING	1	
18	92906-06200-00	WASHER	1	
19	(90462-12048-00)	CLAMP	1	

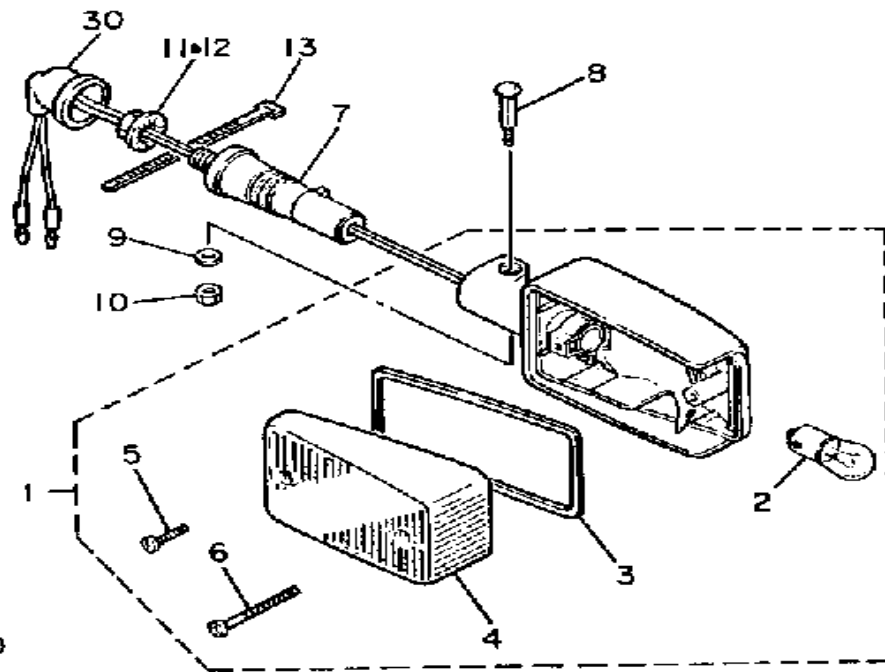
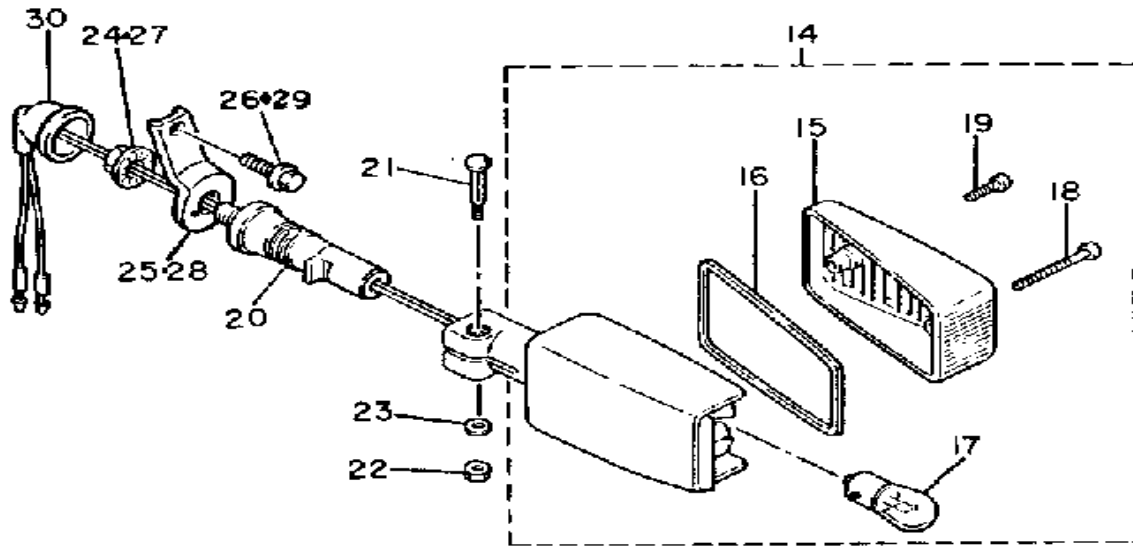


# TAILLIGHT



Ref. No.	Part Number	Description	Qty	Remarks
1	47M-84710-60-00	TAILLIGHT UNIT ASSEMBLY ..	1	
2	47M-84710-60-00	. TAILLIGHT UNIT ASSEMBLY .	1	
3	256-84714-61-00	. BULB (12V-27/8W) .....	2	
4	90480-14412-00	GROMMET .....	2	
5	97021-06030-00	BOLT .....	2	
6	92995-06100-00	WASHER, SPRING .....	2	
7	90387-06028-00	COLLAR .....	2	
8	90201-063J2-00	WASHER, PLATE .....	2	
9	26H-84751-00-98	BRACKET, LICENSE .....	1	
10	97016-06016-00	BOLT .....	2	
11	92906-06100-00	WASHER, SPRING .....	2	
12	90201-06067-00	WASHER, PLATE .....	2	

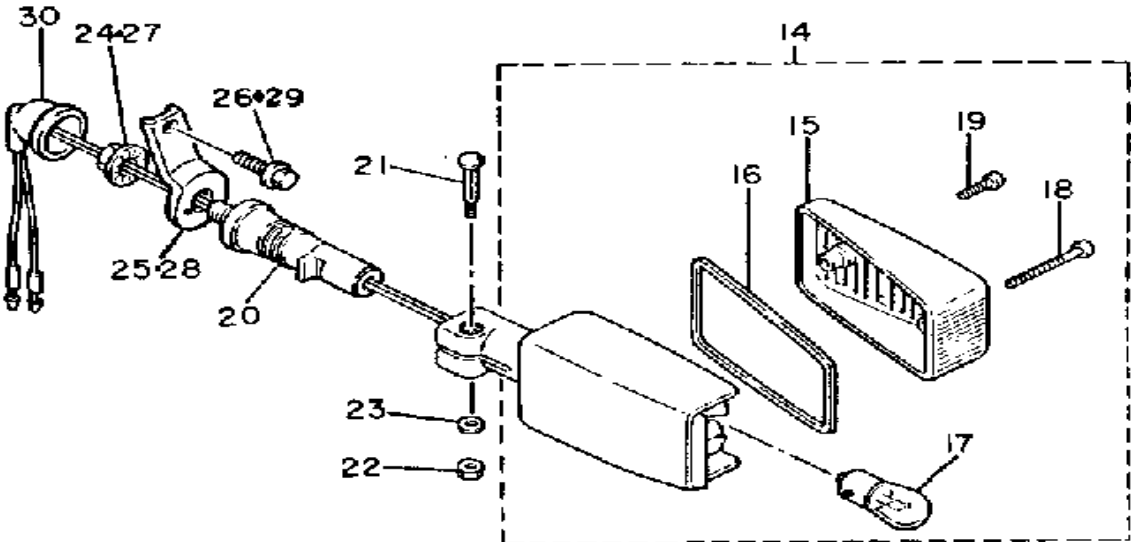
# TURNSIGNAL



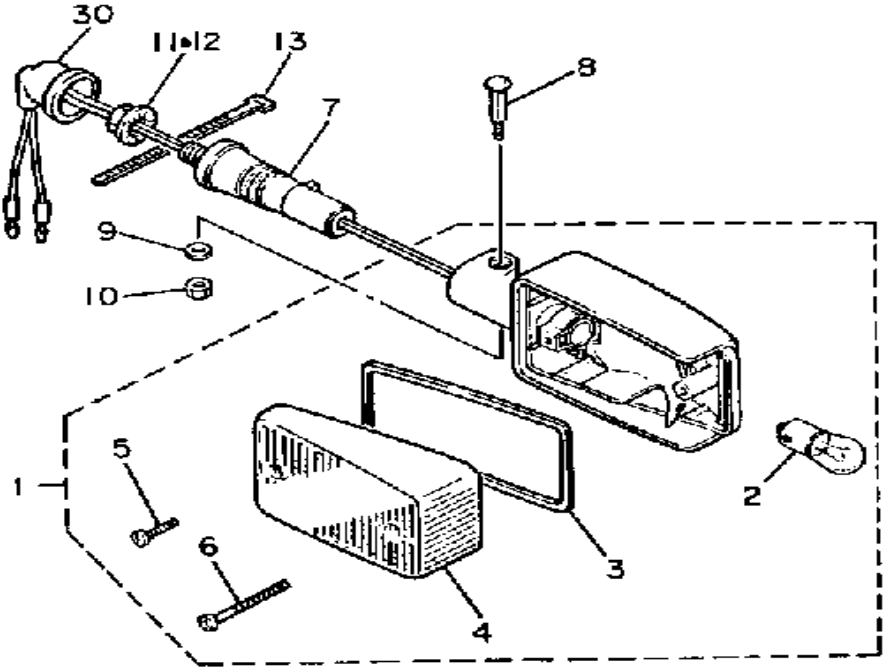
Ref. No.	Part Number	Description	Qty	Remarks
1	5G2-83310-70-00	FRONT FLASHER LIGHT ASS'Y (11H-83301-70)	1	
2	256-83311-70-XX	. BULB, TS 12V27W	1	
3	5G2-83313-00-00	. GASKET, flasher lens	1	
4	5G2-83312-00-00	. LENS, flasher	1	
5	98503-04014-00	. SCREW, PAN HEAD	1	
6	97780-40535-00	. SCREW, TAPPING (FJ1)	1	
7	4G0-83318-00-00	STAY, FLASHER 1	2	
8	5G2-83317-00-00	BOLT, flasher 1	2	
9	92906-05600-00	WASHER, PLATE	2	
10	95306-05600-00	NUT	2	
11	95706-12500-00	NUT, FLANGE	1	
12	95706-12500-00	NUT, FLANGE	1	
13	341-26397-01-00	BAND	2	
14	5G2-83303-70-00	REAR FLASHER LIGHT ASS'Y	2	
15	5G2-83312-00-00	. LENS, flasher	1	
16	5G2-83313-00-00	. GASKET, flasher lens	1	
17	256-83311-70-XX	. BULB, TS 12V27W	1	
18	97780-40535-00	. SCREW, TAPPING (FJ1)	1	
19	98506-04018-00	. SCREW, PAN HEAD	1	
20	4G0-83318-00-00	STAY, FLASHER 1	2	
21	5G2-83317-00-00	BOLT, flasher 1	2	
22	95306-05600-00	NUT	2	
23	92906-05600-00	WASHER, PLATE	2	
24	95706-12500-00	NUT, FLANGE	1	
25	36Y-83368-00-00	STAY, FLASHER	1	
26	95811-08012-00	BOLT, FLANGE	1	
27	95706-12500-00	NUT, FLANGE	1	
28	36Y-83369-00-00	STAY, FLASHER	1	

CONTINUED ON NEXT FRAME ►

# TURNSIGNAL

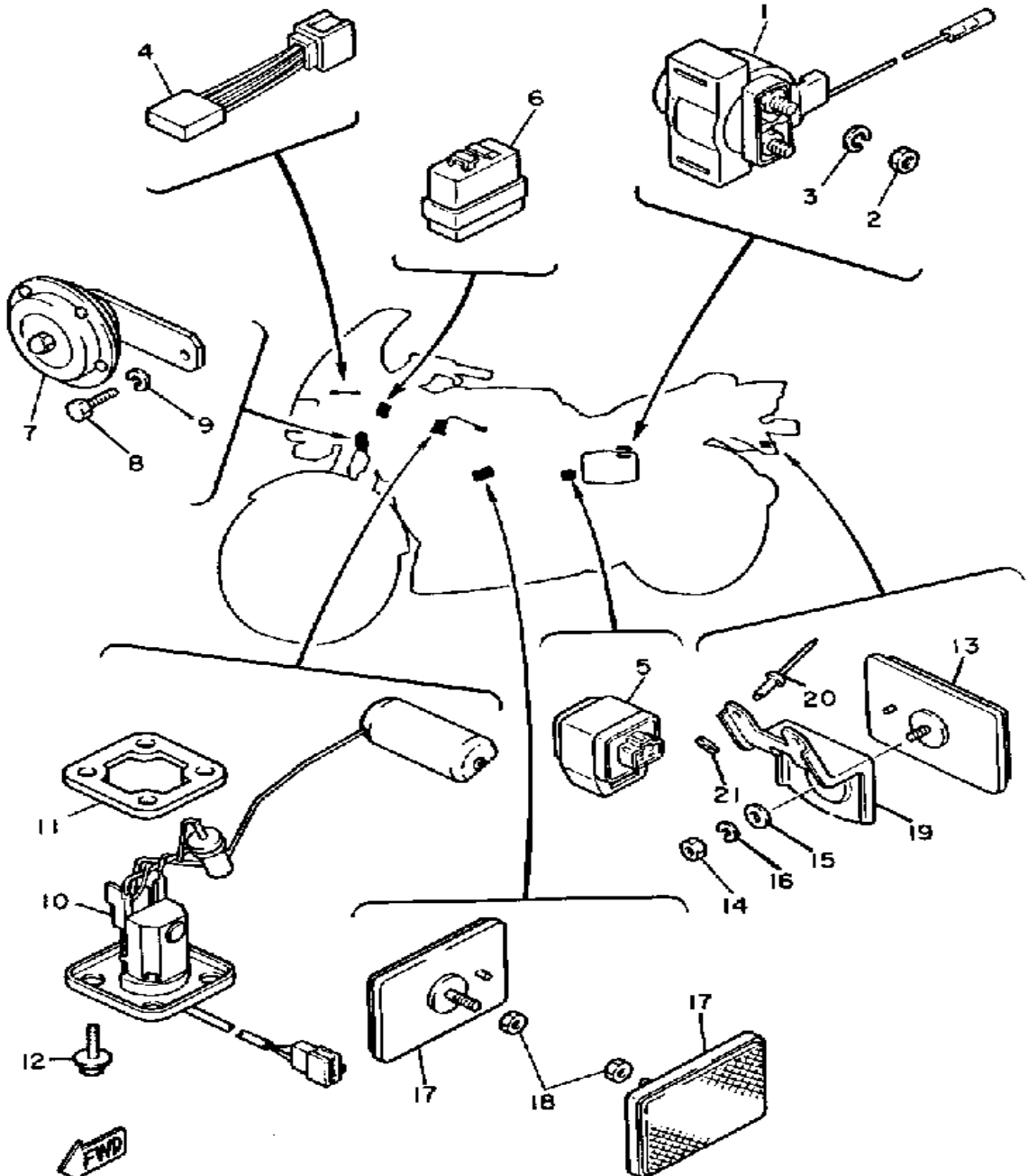


Ref. No.	Part Number	Description	Qty	Remarks
29	95811-08012-00	BOLT, FLANGE .....	1	
30	18G-83365-00-00	CAP .....	4	



**FWD**  
50K700-4410

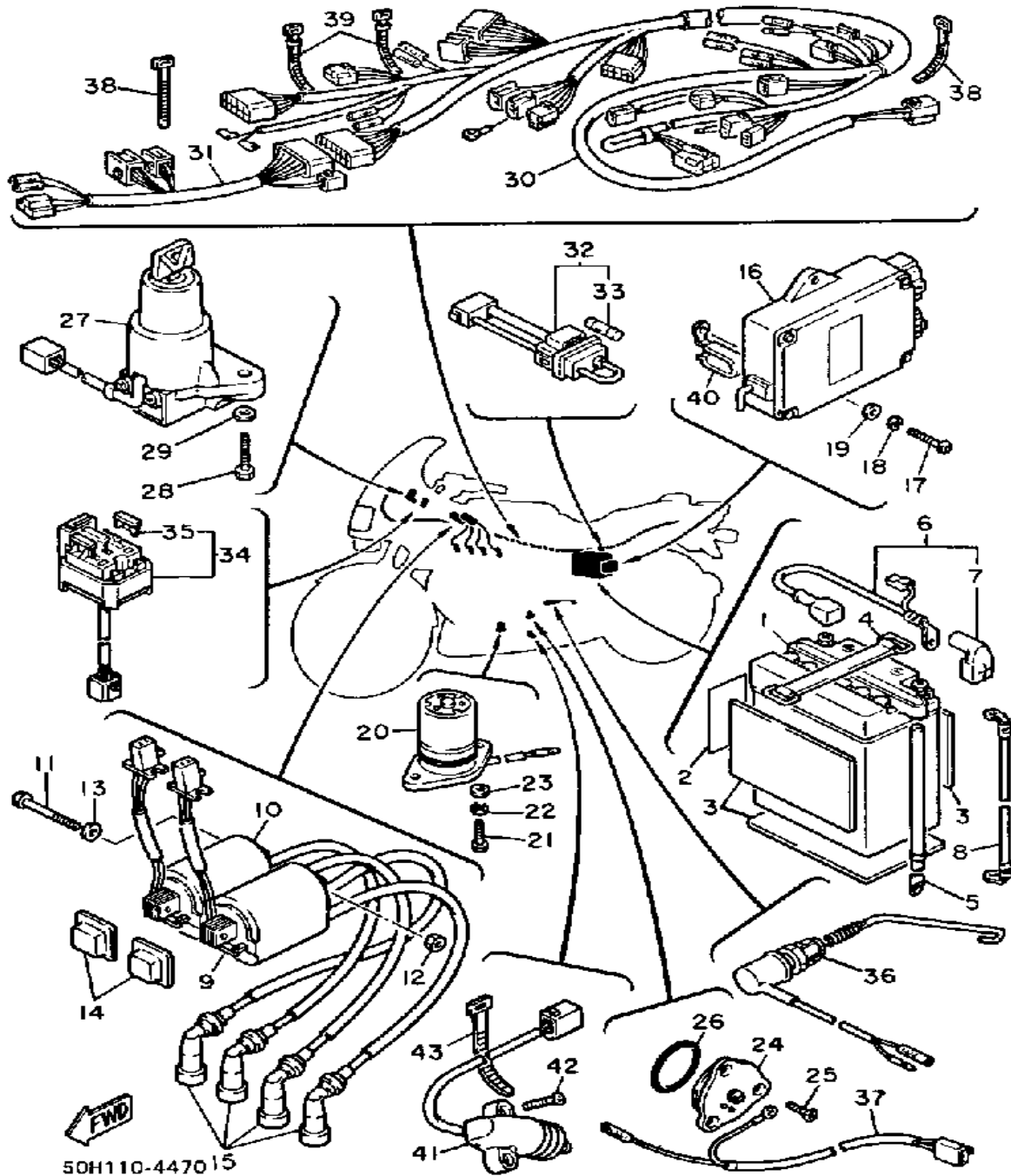
# ELECTRICAL 1



Ref. No.	Part Number	Description	Qty	Remarks
1	36Y-81940-00-00	STARTER RELAY ASSEMBLY .	1	
2	95380-06700-00	NUT .....	2	
3	92995-06100-00	WASHER, SPRING .....	2	
4	4U8-81980-M0-00	DIODE ASSEMBLY .....	1	
5	4U8-81950-02-00	RELAY ASSEMBLY. (4U8-81950-00) .....	1	
6	41R-83350-71-00	FLASHER RELAY ASSEMBLY .	1	
7	4V8-83371-20-00	HORN .....	1	
8	97016-08016-00	BOLT .....	1	
9	92906-08100-00	WASHER, SPRING .....	1	
10	36Y-85752-03-00	SNDR UT ASSEMBLY, F/MTRFUEL METER .....	1	
11	5G3-85753-00-00	GASKET, SENDER UNIT .....	1	
12	90119-05071-00	BOLT, WITH WASHER .....	4	
13	3G1-85130-01-00	REAR REFLECTOR ASSEMBLY	1	
14	95311-05700-00	NUT .....	1	
15	92990-05200-00	WASHER, PLAIN .....	1	
16	92990-05100-00	WASHER, SPRING .....	1	
17	4X7-85110-00-00	FRT REFLECTOR ASSEMBLY .	2	
18	95380-05600-00	NUT .....	2	
19	47M-85132-00-00	BRACKET, REFLECTOR 1 ....	1	
20	90267-32070-00	RIVET, BLIND .....	2	
21	92990-03200-00	WASHER, PLAIN .....	2	

50H110-4460

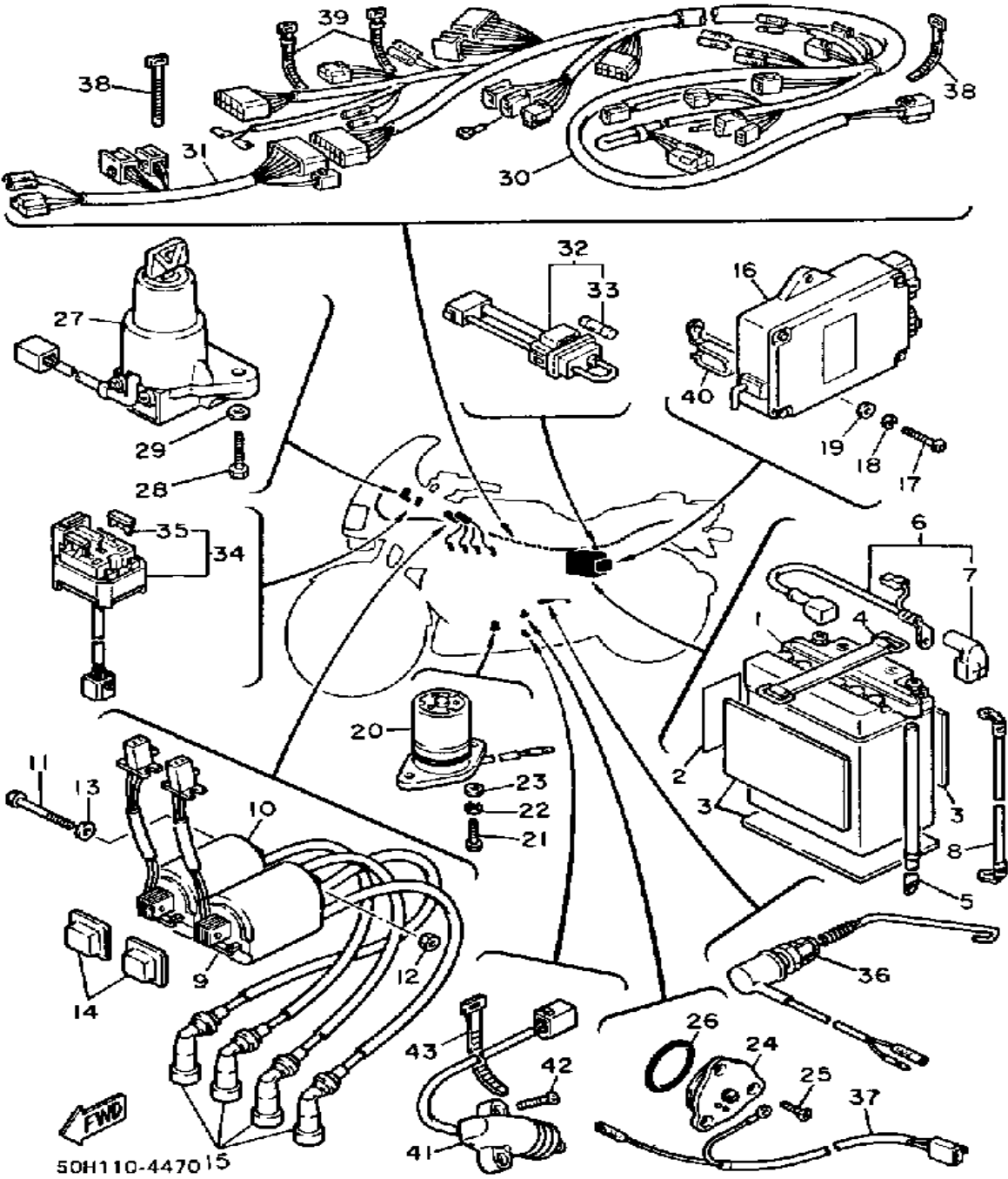
# ELECTRICAL 2



Ref. No.	Part Number	Description	Qty	Remarks
1	BTY-YB14L-A2-00	BATTERY ASSEMBLY (YB14L-A2)	1	
2	118-82141-09-00	LABEL, BATTERY	1	
3	5X2-24183-00-00	DAMPER, LOCATING 3	3	
4	2T4-82131-00-00	BAND, BATTERY	1	
5	90445-083A4-00	HOSE	1	
6	1TX-82115-00-00	WIRE, PLUS LEAD	1	
7	4X7-82119-00-00	. COVER, LEAD WIRE	1	
8	J56-H2116-00-00	WIRE, MINUS LEAD (J14-82116-00)	1	
9	36Y-82310-60-00	IGNITION COIL ASSEMBLY	1	
10	36Y-82320-60-00	IGNITION COIL ASSEMBLY	1	
11	97313-06070-00	NUT (97301-06070)	1	
12	95380-06600-00	NUT	1	
13	92990-06200-00	WASHER	1	
14	4U8-82317-00-00	DAMPER, IGNITION COIL	2	
15	1UY-82370-20-00	PLUG CAP ASSEMBLY	4	
16	36Y-82305-10-00	IGNITOR UNIT ASSEMBLY 1	1	
17	98580-06020-00	SCREW	2	
18	92995-06100-00	WASHER, SPRING	2	
19	90201-061A5-00	WASHER, PLATE	2	
20	4H7-85720-01-00	OIL LVL GAUGE ASSEMBLY	1	
21	97023-06020-00	BOLT (3XF)	2	
22	92995-06100-00	WASHER, SPRING	2	
23	90201-061A5-00	WASHER, PLATE	2	
24	1L9-82540-00-00	NEUTRAL SWITCH ASSEMBLY	1	
25	98701-05012-00	SCREW, FLAT HEAD	3	
26	93210-29196-00	O-RING	1	
27	3JV-82501-00-00	MAIN SWITCH STEERING LOCK	1	

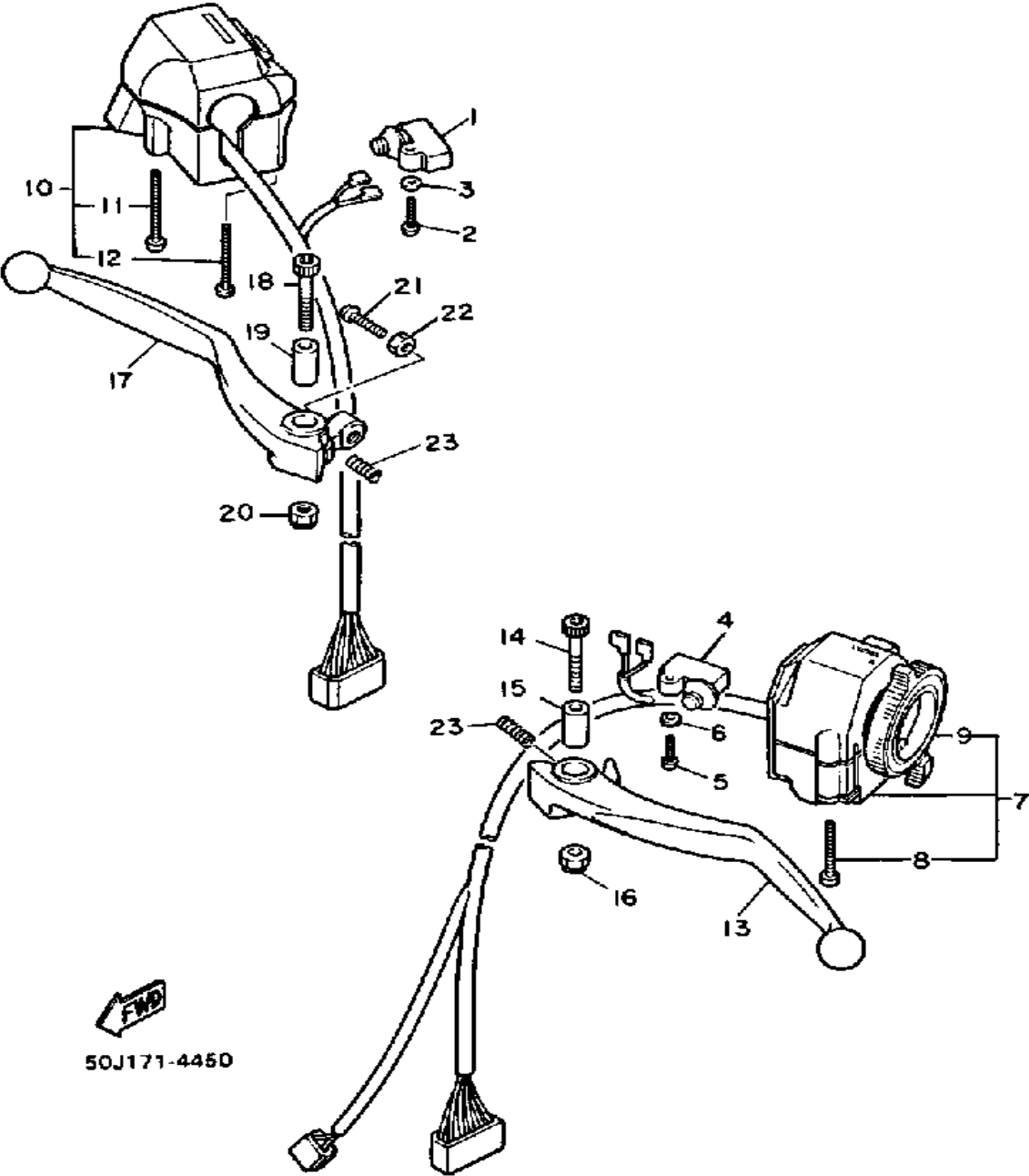
CONTINUED ON NEXT FRAME ►

# ELECTRICAL 2



Ref. No.	Part Number	Description	Qty	Remarks
28	97011-06016-00	BOLT	2	
29	90201-061A5-00	WASHER, PLATE	2	
30	47M-82590-51-00	WIRE HARNESS ASSEMBLY	1	
31	36Y-82580-00-00	WIRE HARNESS ASSEMBLY 2	1	
32	3H5-82150-00-00	FUSE HOLDER ASSEMBLY	1	
33	2H7-82151-00-00	. FUSE	2	
34	36Y-82170-01-00	FUSE BOX ASSEMBLY	1	
35	36Y-82151-00-00	. FUSE (15A-BL)	4	
36	36Y-82530-02-00	STOP SWITCH ASSEMBLY	1	
37	36Y-82509-00-00	WIRE, SUB LEAD	1	
38	437-83936-01-00	BAND, SWITCH CORD	2	
39	437-83936-11-00	BAND, SWITCH CORD	2	
40	90464-14117-00	CLAMP	1	
41	3A3-82566-10-00	SWITCH, SIDE STAND	1	
42	98706-05016-00	SCREW, FLAT HEAD	2	
43	341-26397-01-00	BAND	1	

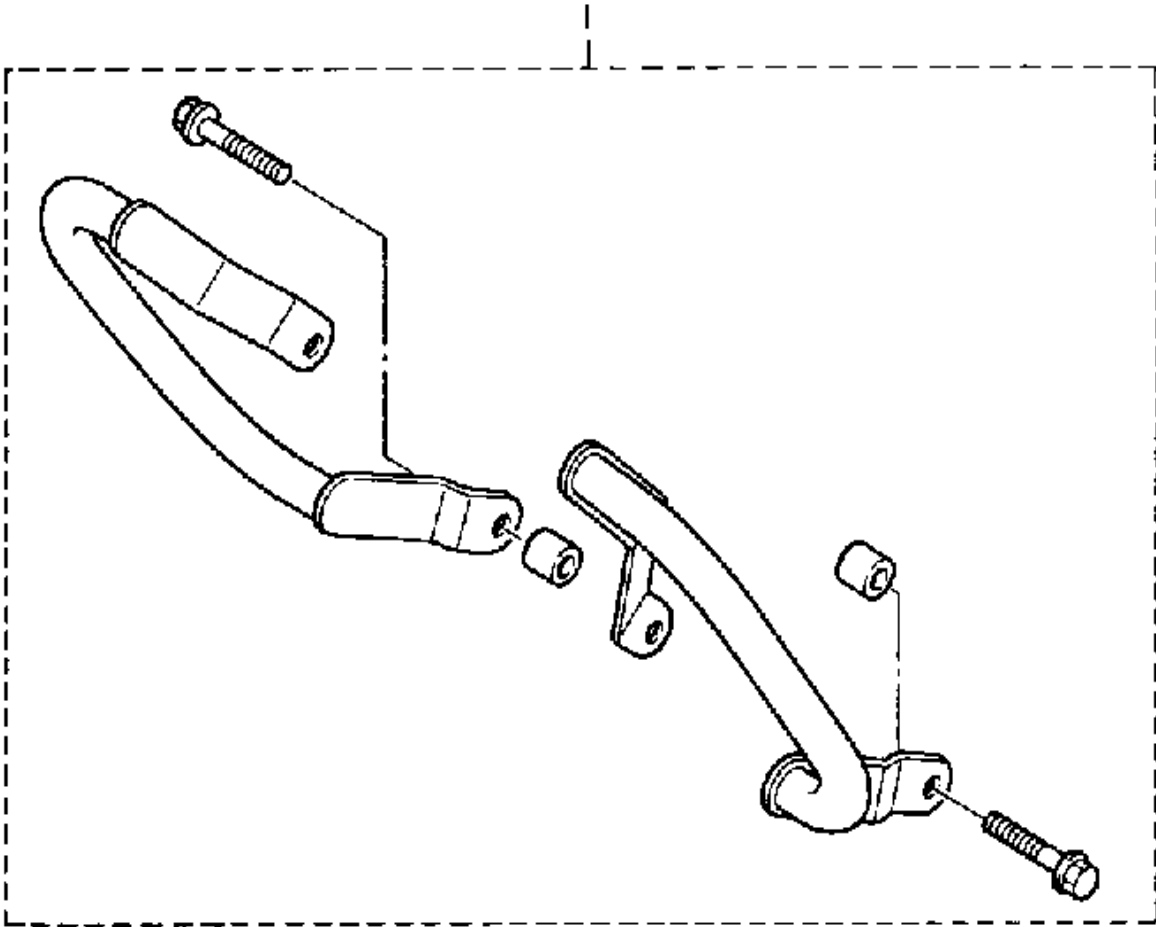
# HANDLE SWITCH-LEVER



50J171-4450

Ref. No.	Part Number	Description	Qty	Remarks
1	J45-82503-01-00	SWITCH, ALARM	1	
2	98506-04018-00	SCREW, PAN HEAD	1	
3	92906-04600-00	WASHER, PLATE	1	
4	36Y-82917-00-00	SWITCH	1	
5	98506-04018-00	SCREW, PAN HEAD	1	
6	92906-04600-00	WASHER, PLATE	1	
7	47M-83973-10-00	SWITCH, HANDLE 33 (LEFT)	1	
8	98506-05035-00	SCREW, PAN HEAD	2	
9	58L-83960-00-00	CHOKE RING ASSEMBLY	1	
10	47M-83975-01-00	SWITCH, HANDLE 2	1	
11	98506-05040-00	SCREW, PAN HEAD	1	
12	98506-05045-00	SCREW, PAN HEAD	1	
13	36Y-83912-00-00	LEVER L	1	
14	90110-06074-00	BOLT, HEXAGON SOCKET HEAD	1	
15	36Y-83913-01-00	COLLAR, LEVER 1	1	
16	95616-06100-00	NUT, U	1	
17	36Y-83922-00-00	LEVER R	1	
18	90110-06074-00	BOLT, HEXAGON SOCKET HEAD	1	
19	36Y-83913-01-00	COLLAR, LEVER 1	1	
20	95616-06100-00	NUT, U	1	
21	90149-06153-00	SCREW, SPEC'L SHAPE	1	
22	90170-06010-00	NUT	1	
23	90501-10312-00	SPRING, COMPRESSION	2	

# ENGINE GUARD SET



50H110-4480

Ref. No.	Part Number	Description	Qty	Remarks
1	50H-W0741-00-00	FJ1100 ENGINEGUARD	..... 1	ALT. PART



# TOP GASKET KIT

Ref. No.	Part Number	Description	Qty	Remarks
1	36Y-11181-00-00	GASKET, CYLINDER HEAD 1	1	
	36Y-11193-00-00	GASKET, HD.COVER 1	1	
	4BE-12213-00-00	GASKET, TENSIONER CASE	1	
	4BE-14613-00-00	GASKET, EXHAUST PIPE	4	
	4CR-11351-00-00	GASKET, CYLINDER	1	
	50H-W0001-90-00	GASKTKIT TE FJ11 0	1	
	51Y-12119-00-00	SEAL, VALVE STEM	16	
	90430-06014-00	GASKET	1	
	90430-14131-00	GASKET	2	
	93210-40659-00	O-RING	4	
	93210-77363-00	O-RING	4	

## FJ1100N/NC

### 1985 SERVICE DATA

Effective 3/29/85 this Technical Service Data replaces 2/15/85; please remove and destroy 2/15/85. ► Denotes a change in the original Technical Service Data.

<b>MODEL - IBM I.D. NUMBER</b>	FJ1100N - 50H	FJ1100NC - 47M
Initial Engine Number / Frame Number	See Page 2	
Fuel Type / Total Fuel Tank Capacity / Reserve Cap.	Regular / 24.5 Lit. (6.47 gal.) / 0.5 Lit. (0.55 qt.)	

<b>ENGINE TYPE</b>	4-Stroke, DOHC, Parallel-Four
Bore / Stroke / Number Cylinders / Displacement	74mm / 63.8mm / 4 / 1097cc
Compression Ratio/Compression Pressure Min~Max	9.5:1 / 8.0 ~ 10 kg/cm <sup>2</sup> (114 ~ 142 psi)
Piston Skirt Clearance New / Max	0.03 ~ 0.05mm / 0.1mm
Ring End Gap Top / 2nd / 3rd	0.20 ~ 0.35mm / 0.20 ~ 0.35mm / 0.2 ~ 0.7mm
Valve Clearance (Cold) Intake / Exhaust	0.11 ~ 0.15mm / 0.16 ~ 0.20mm
Oiling System	Wet Sump (Trochoid Type)
Capacity: Dry	4.2 Lit. (4.44 qts.)
Oil & Filter Change / Oil Change Only	3.35 Lit (3.54 qts.) / 3.0 Lit (3.17 qts.)
Oil Filter Part Number	36Y-13441-00-00
Lubricant: Temp Above 5°C (40°F)	Yamalube 4* or SAE 20W40 SE or SF
Temp Below 15°C (60°F)	SAE 10W30 SE or SF
Cooling System / Capacity / Cap Opening Pressure	φ
Coolant Type / Mixing Ratio	φ / φ

<b>AUTOLUBE - Min Stroke / Color Code</b>	φ / φ
Minimum Output @ 200 Cycles	φ
Maximum Output @ 200 Cycles	φ

<b>CARBURETOR - Manufacturer / Type / I.D. Number</b>	Mikuni / BS36 / 50H-00
Main Jet / Pilot Jet / Pilot Screw (Turns Out)	110 / 40 / 2.0
Needle Jet / Jet Needle-Clip Position	Y2 / Ni-3 Fixed
Slide Cutaway	φ
Float Level / Fuel Level	22.3mm / 3 ± 1mm
Idle rpm	1000 ± 50 rpm
Max CO <sub>2</sub> / Max HC <sub>2</sub> / Set CO	7.0% / 500 ppm / 3.0%

<b>SUSPENSION</b>	
Front: Oil Type / Level / Qty	10 wt. Fork Oil* / 141mm / 424cc (14.3 oz.)
Gas Pressure Min ~ Max / Standard	φ / φ
Spring Length Standard	383mm
Rear: Gas Pressure Min ~ Max / Standard	11 ~ 13 kg/cm <sup>2</sup> (156 ~ 185 psi) / 12 kg/cm <sup>2</sup> (171 psi)
Minimum Brake Lining Thickness Front	0.5mm / 0.5mm
Tire Size / Nominal Pressure: Front	120/80-V16 / 2.3 kg/cm <sup>2</sup> (33 psi)
Rear	150/80-V16 / 2.5 kg/cm <sup>2</sup> (36 psi)

<b>TRANSMISSION - Oil Type / Qty Change / Qty Dry</b>	See ENGINE Above
Secondary Drive Type / Teeth / Chain	Chain / 42/17 / 50ZL Daido - 110L
Middle Gear Case Capacity	φ
Final Gear Case Capacity	φ
Gear Case Lubricant	φ

SERVICE COPY	SER MGR	MECH	MECH	MECH	BINDER
OFFICE COPY	GEN MGR	SALES	PARTS	BINDER	PAGE 1 OF 2

<b>CHARGING SYSTEM</b>	AC Generator / Three Phase / Full Wave
Battery: Model / Specific Gravity / Charge Rate	YB14L (12V14AH) / 1.280 / 1.4A
Maximum Output	14V26A @ 5000 rpm
Field Coil Color Code / Ω	Brn ~ Blk / 4Ω ± 5%
Stator Coil Color Code / Ω	Wht ~ Wht / 0.196Ω ± 5%
Charge Coil Color Code / Ω	φ / φ

<b>IGNITION SYSTEM</b>	Transistor Controlled
Ignition Timing	5° @ 1000 rpm
Spark Plug Type	NGK DP8EA-9 or ND X24ER-U9
Spark Plug Gap / Torque / Cap Ω	0.8 ~ 0.9mm / 1.75 m·kg (12.5 ft/lb) / 10KΩ
Ignition Coil Test Gap / Primary Ω / Secondary Ω	6mm / 2.7Ω ± 10% / 12KΩ ± 20%
Pulser Coil or Pickup Coil Color Code / Ω	► Org ~ Blk, Blk ~ Gry / 165 Ω ± 10%
Source Coil Color Code / Ω	

<b>LIGHTING SYSTEM</b>	
Headlight / Taillight / Signal Rating	12V60-55W / 12V8W-27W / 12V27W
Lighting Coil Color Code / Ω	φ / φ

<b>TORQUE VALUES</b>	
Front Axle Nut	M14: 7.8 m·kg (56 ft/lb)
Front Axle Holder Nut	M8: 2.0 m·kg (14 ft/lb)
Rear Axle Nut	M18: 15.0 m·kg (110 ft/lb)
Rear Axle Pinch Bolt	φ
Clutch Nut	M20: 7.0 m·kg (50 ft/lb)
Drain Plug	M14: 4.3 m·kg (31 ft/lb)
Flywheel Nut	φ
Cylinder Head Cover	M6: 1.0 m·kg (7.2 ft/lb)
Cylinder Head:	M10: 3.5 m·kg (25 ft/lb)
Drive Chain Sprocket (Drive)	M22: 8.5 m·kg (61 ft/lb)
Engine Mounting Bolts: Front Upper	M10: 5.5 m·kg (40 ft/lb)
Front Lower	M10: 5.5 m·kg (ft/lb)
Rear Upper	M10: 5.5 m·kg (40 ft/lb)
Rear Lower	M12: 9.0 m·kg (65 ft/lb)

Initial Engine Number / Frame Number	FJ1100N:50H-010101 / JYA50H00( )FA010101
	FJ1100NC: (Calif. model only): 47M-010101 / JYA47M00( )FA10101

φ = Does Not Apply to This Model  
NA = Information Not Available

\* = Available from YPDI  
⊕ = For Diagnostic Use Only

#### SERVICE LITERATURE

PUBLICATION	PART NUMBER	REMARKS
Owner's Manual	LIT-11626-04-51	Same as FJ1100L/LC Same as FJ1100L/LC (N,NC) Suppl. to XS/XJ/XZ/XV/RD B.A.M. (03-85)
Service Manual	LIT-11616-04-08	
Assembly Manual	LIT-11666-04-08	
Consumer Info.	LIT-11656-04-05	

## FJ1100L/LC 1984 SERVICE DATA

Effective 3/29/85 this Technical Bulletin replaces M84-020; please remove and destroy M84-020. ► Denotes a change in the original Technical Bulletin.

<b>MODEL - ISM I.D. NUMBER</b>	FJ1100L - 50H	FJ1100LC - 47M
Initial Engine Number / Frame Number	See Page 2	
Fuel Type / Total Fuel Tank Capacity / Reserve Cap.	Regular / 24.5 Lit. (6.47 gal.) / 0.5 Lit. (0.55 qt.)	

<b>ENGINE TYPE</b>	4-Stroke, DOHC, Parallel-Four	
Bore / Stroke / Number Cylinders / Displacement	74mm / 63.8mm / 4 / 1097cc	
Compression Ratio/Compression Pressure Min~Max	9.5:1 / 114 psi ~ 142 psi	
Piston Skirt Clearance New / Max	0.03 ~ 0.05mm / 0.1mm	
Ring End Gap Top / 2nd / 3rd	0.20 ~ 0.35mm / 0.20 ~ 0.35mm / 0.2 ~ 0.7mm	
Valve Clearance (Cold) Intake / Exhaust	0.11 ~ 0.15mm / 0.16 ~ 0.20mm	
Oiling System	Wet Sump (Trochoid Type)	
Capacity: Dry	4.2 Lit. (4.44 qts.)	
Oil and Filter Change	3.35 Lit. (3.54 qts.)	
Oil Change Only	3.0 Lit. (3.17 qts.)	
Lubricant: Temp Above 5°C (40°F)	Yamalube 4* or SAE 20W40 SE or SF	
Temp Below 15°C (60°F)	SAE 10W30 SE or SF	
Cooling System / Capacity	φ / φ	
Coolant Type / Mixing Ratio	φ / φ	

<b>AUTOLUBE - Min Stroke / Color Code</b>	φ / φ	
Minimum Output @ 200 Cycles	φ	
Maximum Output @ 200 Cycles	φ	

<b>CARBURETOR - Manufacturer / Type / I.D. Number</b>	Mikuni / BS36 / 50H-00	
Main Jet / Pilot Jet / Pilot Screw (Turns Out)	112.5 / 37.5 / 2.0	
Needle Jet / Jet Needle-Clip Position	Y-O (#318) / 5FZ63 Fixed	
Slide Cutaway	φ	
Float Level / Fuel Level	22.3mm / 2 ~ 4mm	
Idle rpm	950 ~ 1050 rpm	
Max CO <sub>e</sub> / Max HC <sub>e</sub> / Set CO	7.0% / 500 ppm / 3.0%	

<b>SUSPENSION</b>		
Front: Inner Tube Diameter	41mm	
Oil Type / Level / Qty	10 Wt. Fork Oil* / 141mm / 424cc (14.3 oz.)	
Gas Pressure Min ~ Max / Standard	φ / φ	
Spring Length Standard	383mm	
Rear: Gas Pressure Min ~ Max / Standard	φ / φ	
Minimum Brake Lining Thickness Front / Rear	0.5mm / 0.5mm	
Tire Size (Nominal Pressure) Front / Rear	120/80-V16 (33 psi) / 150/80-V16 (36 psi)	

<b>TRANSMISSION - Oil Type / Qty Change / Qty Dry</b>	See ENGINE Above	
Secondary Drive Type / Teeth / Chain	Chain / 42/17 / 50ZL Daido - 110L	
Middle Gear Case Capacity	φ	
Final Gear Case Capacity	φ	
Gear Case Lubricant	φ	

SERVICE COPY	SER MGR	MECH	MECH	MECH	BINDER
OFFICE COPY	GEN MGR	SALES	PARTS	BINDER	PAGE 1 OF 2

<b>CHARGING SYSTEM</b>	AC Generator / Three Phase / Full Wave	
Battery: Model / Specific Gravity / Charge Rate	YB14L (12V14AH) / 1.280 / 1.4A	
Maximum Output	14V26A @ 5000 rpm	
Field Coil Color Code / Ω	Brn ~ Blk / 4Ω ± 5%	
Stator Coil Color Code / Ω	Wht ~ Wht / 0.196Ω ± 5Ω	
Charge Coil Color Code / Ω	φ / φ	

<b>IGNITION SYSTEM</b>	Transistor Controlled Ignition	
Ignition Timing	5° @ 1000 rpm	
Spark Plug Type	NGK DP8EA-9 or ND X24EP-U9	
Spark Plug Gap / Torque / Cap Ω	0.8 ~ 0.9mm / 1.75 m·kg (12.5 ft·lb) / 10KΩ	
Point Gap / Condenser Capacitance	φ / φ	
Ignition Coil Test Gap / Primary Ω / Secondary Ω	6mm / 2.7Ω ± 10% / 12KΩ ± 20%	
Pulser Coil or Pickup Coil Color Code / Ω	► Org ~ Blk, Blk ~ Gry / 165 Ω ± 10%	
Source Coil Color Code / Ω	φ / φ	

<b>LIGHTING SYSTEM</b>		
Headlight / Taillight / Signal Rating	12V60-55W / 12V8W-27W / 12V27W	
Lighting Coil Color Code / Ω	φ / φ	

<b>TORQUE VALUES</b>		
Front Axle Nut	M14: 7.8 m·kg (56 ft·lb)	
Front Axle Holder Nut	M8: 2.0 m·kg (14 ft·lb)	
Rear Axle Nut	M18: 15.0 m·kg (110 ft·lb)	
Rear Axle Pinch Bolt	φ	
Clutch Nut	M20: 7.0 m·kg (50 ft·lb)	
Drain Plug	M14: 4.3 m·kg (31 ft·lb)	
Flywheel Nut	φ	
Cylinder Head Cover	M6: 1.0 m·kg (7.2 ft·lb)	
Cylinder Head:	M10: 3.5 m·kg (25 ft·lb)	
Drive Chain Sprocket (Drive)	M22: 8.5 m·kg (61 ft·lb)	
Engine Mounting Bolts: Front Upper	M10: 5.5 m·kg (40 ft·lb)	
Front Lower	M10: 5.5 m·kg (ft·lb)	
Rear Upper	M10: 5.5 m·kg (40 ft·lb)	
Rear Lower	M12: 9.0 m·kg (65 ft·lb)	

Initial Engine Number / Frame Number	FJ1100L: 50H-000101 / JYA50H00( )EA000101	
	FJ1100LC (Calif. model only): 47M-000101 / JYA47M00( )EA000101	

φ = Does Not Apply to This Model  
NA = Information Not Available

\* = Available from YPDI  
⊕ = For Diagnostic Use Only

### SERVICE LITERATURE

PUBLICATION	PART NUMBER	REMARKS
Owner's Manual	LIT-11626-04-08	
Service Manual	LIT-11616-04-08	
Assembly Manual	LIT-11666-04-08	
Consumer Info.	LIT-11656-04-08	

<b>CHARGING SYSTEM</b>	AC Generator / Three Phase / Full Wave
Battery: Model / Specific Gravity / Charge Rate	YB14L (12V14AH) / 1.280 / 1.4A
Maximum Output	14V26A @ 5000 rpm
Field Coil Color Code / $\Omega$	Brn ~ Blk / $4\Omega \pm 5\%$
Stator Coil Color Code / $\Omega$	Wht ~ Wht / $0.196\Omega \pm 5\Omega$
Charge Coil Color Code / $\Omega$	$\phi$ / $\phi$

<b>IGNITION SYSTEM</b>	Transistor Controlled Ignition
Ignition Timing	$5^\circ$ @ 1000 rpm
Spark Plug Type	NGK DP8EA-9 or ND X24EPU9
Spark Plug Gap / Torque / Cap $\Omega$	$0.8 \sim 0.9\text{mm}$ / 1.75 m·kg (12.5 ft/lb) / $10K\Omega$
Point Gap / Condenser Capacitance	$\phi$ / $\phi$
Ignition Coil Test Gap / Primary $\Omega$ / Secondary $\Omega$	$6\text{mm}$ / $2.7\Omega \pm 10\%$ / $12K\Omega \pm 20\%$
Pulser Coil or Pickup Coil Color Code / $\Omega$	Org ~ Blk, Blk ~ Gry / $165\Omega \pm 10\%$
Source Coil Color Code / $\Omega$	$\phi$ / $\phi$

<b>LIGHTING SYSTEM</b>	
Headlight / Taillight / Signal Rating	12V60-55W / 12V8W-27W / 12V27W
Lighting Coil Color Code / $\Omega$	$\phi$ / $\phi$

<b>TORQUE VALUES</b>	
Front Axle Nut	M14: 7.8 m·kg (56 ft/lb)
Front Axle Holder Nut	M8: 2.0 m·kg (14 ft/lb)
Rear Axle Nut	M18: 15.0 m·kg (110 ft/lb)
Rear Axle Pinch Bolt	$\phi$
Clutch Nut	M20: 7.0 m·kg (50 ft/lb)
Drain Plug	M14: 4.3 m·kg (31 ft/lb)
Flywheel Nut	$\phi$
Cylinder Head Cover	M6: 1.0 m·kg (7.2 ft/lb)
Cylinder Head:	M10: 3.5 m·kg (25 ft/lb)
Drive Chain Sprocket (Drive)	M22: 8.5 m·kg (61 ft/lb)
Engine Mounting Bolts: Front Upper	M10: 5.5 m·kg (40 ft/lb)
Front Lower	M10: 5.5 m·kg (ft/lb)
Rear Upper	M10: 5.5 m·kg (40 ft/lb)
Rear Lower	M12: 9.0 m·kg (65 ft/lb)

Initial Engine Number / Frame Number	FJ1100L: 50H-000101 / JYA50H00( )EA000101 FJ1100LC (Calif. model only): 47M-000101 / JYA47M00( )EA000101
--------------------------------------	--

$\phi$  = Does Not Apply to This Model  
NA = Information Not Available

\* = Available from YPDI  
e = For Diagnostic Use Only

**SERVICE LITERATURE**

PUBLICATION	PART NUMBER	REMARKS
Owner's Manual	LIT-11626-04-08	
Service Manual	LIT-11616-04-08	
Assembly Manual	LIT-11666-04-08	
Consumer Info.	LIT-11656-04-08	