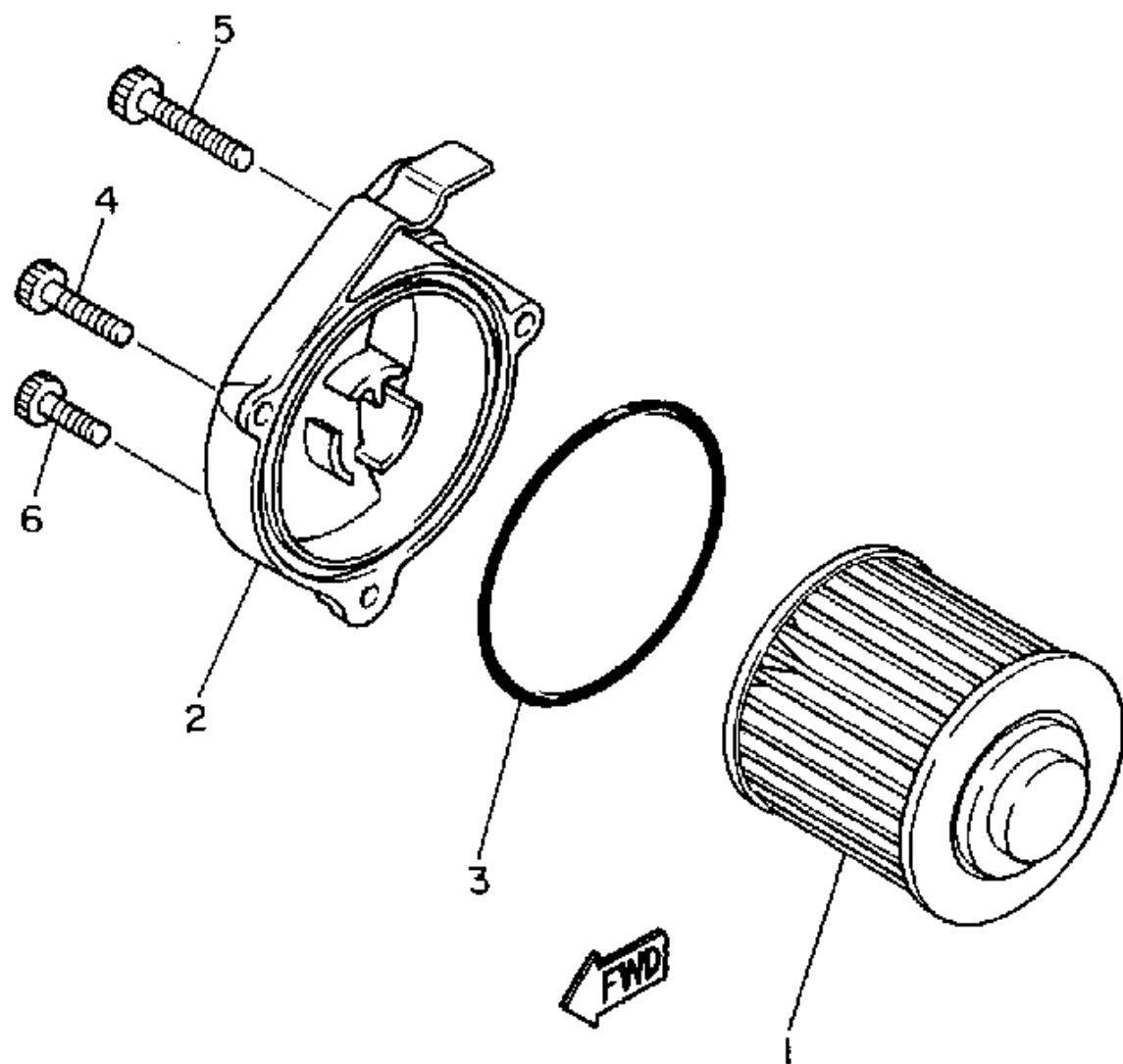
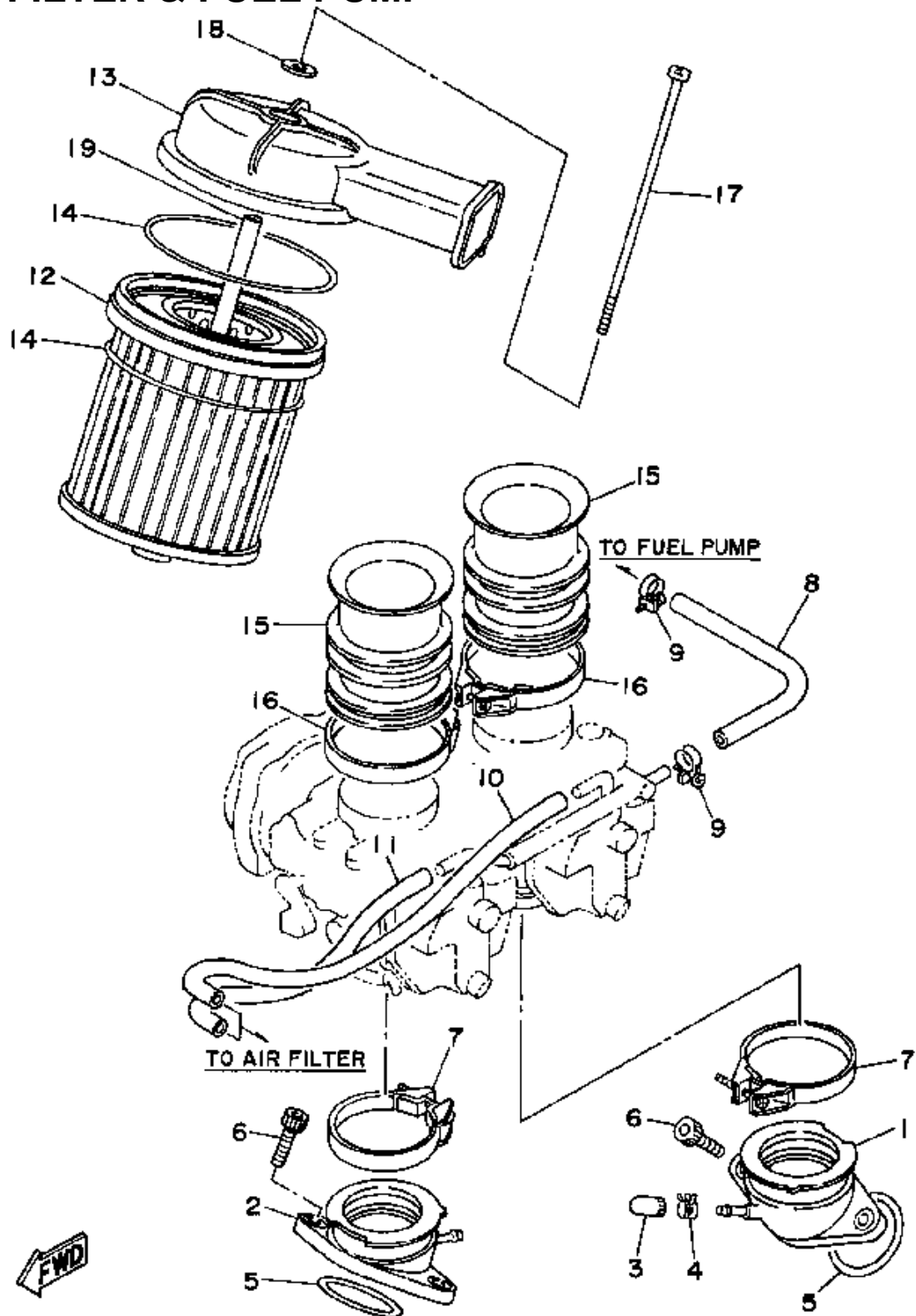


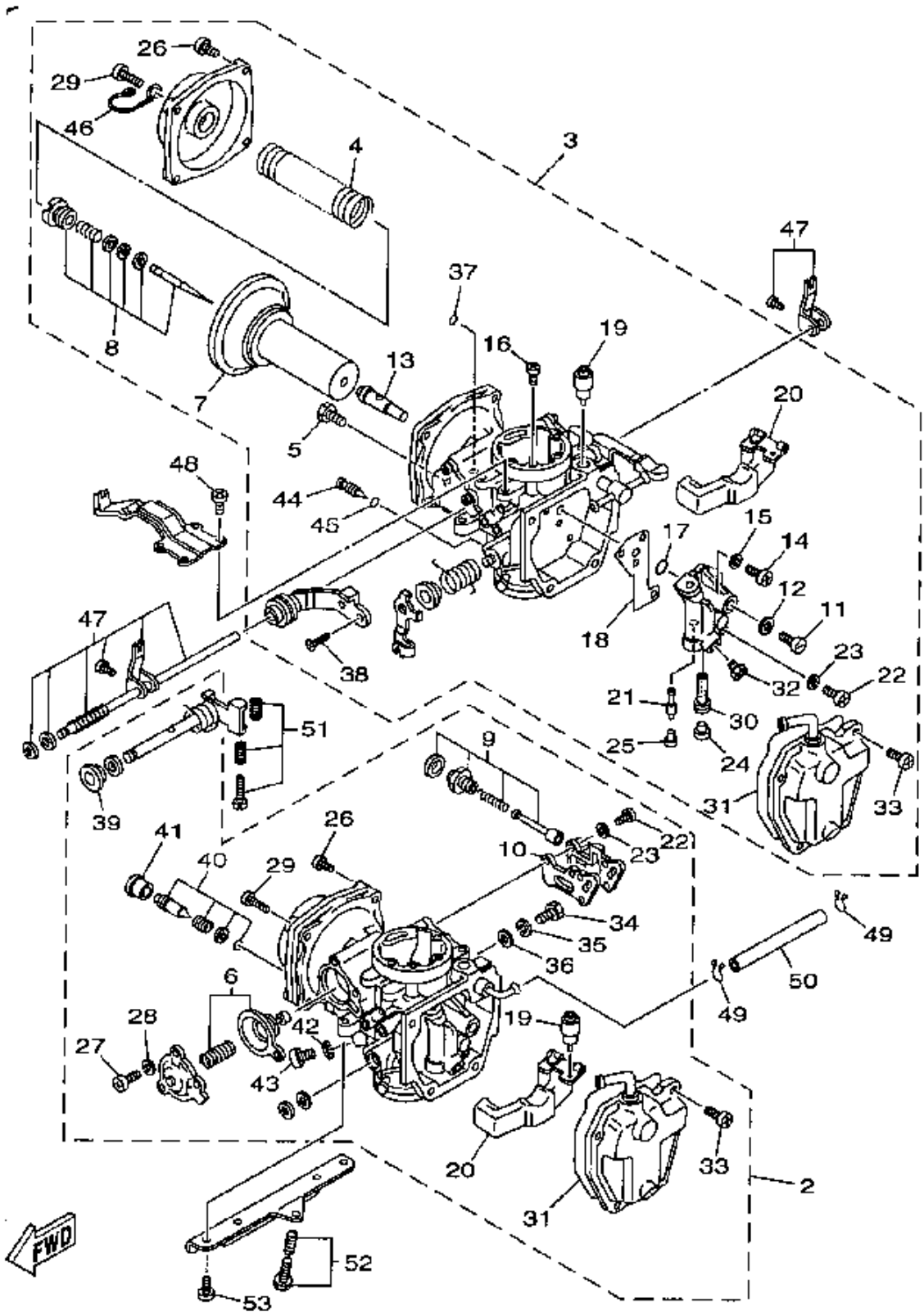
OIL FILTER



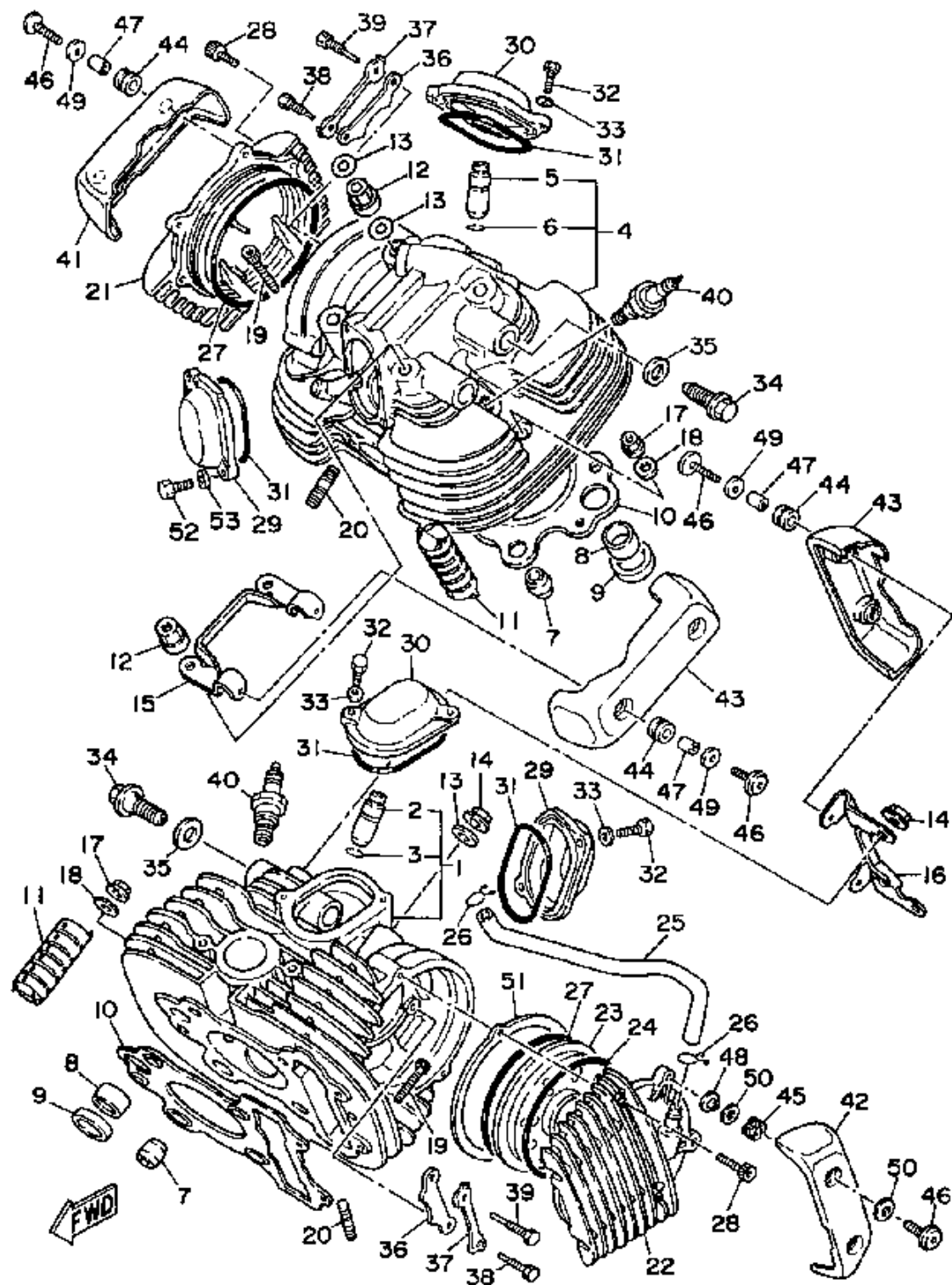
AIR FILTER & FUEL PUMP



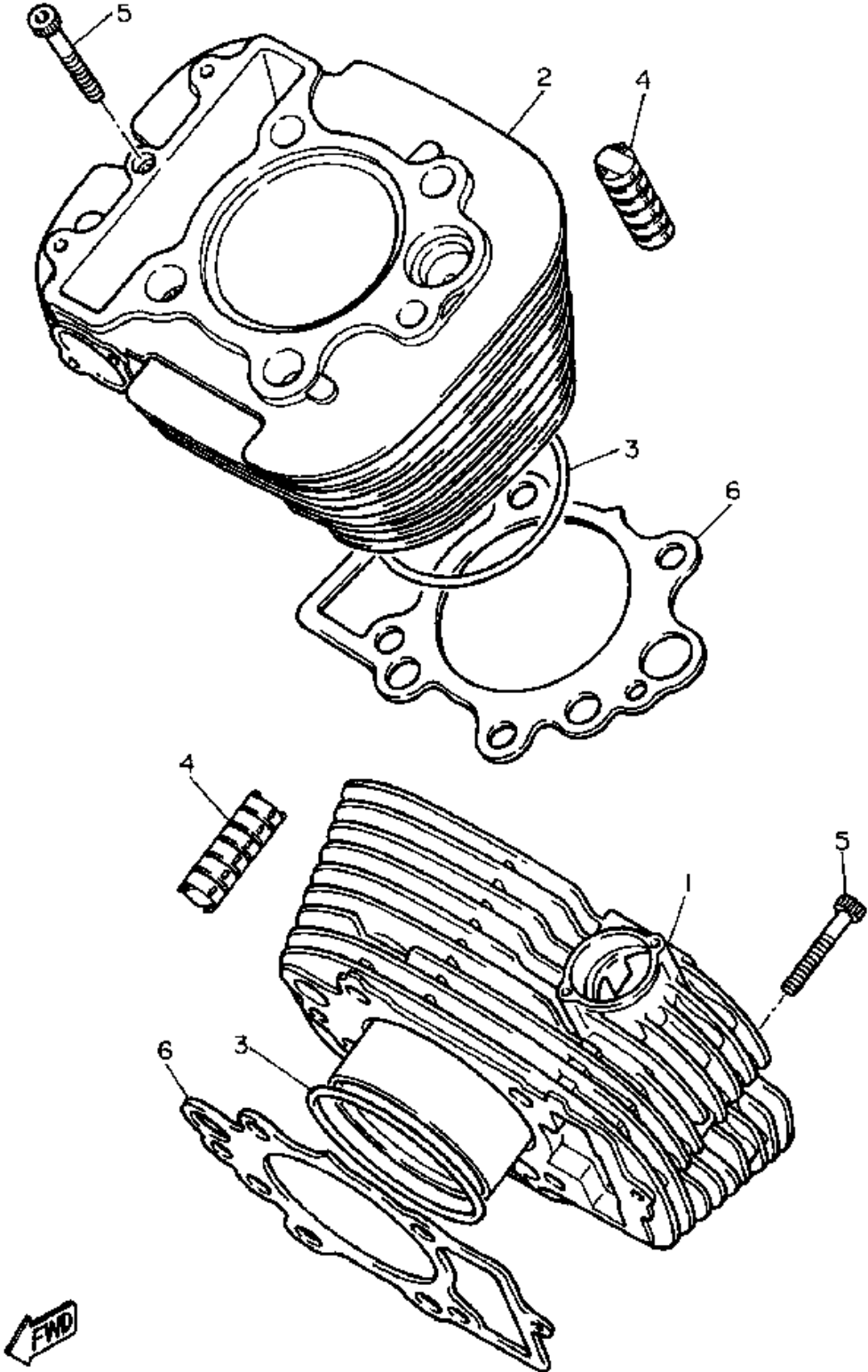
CARBURETOR



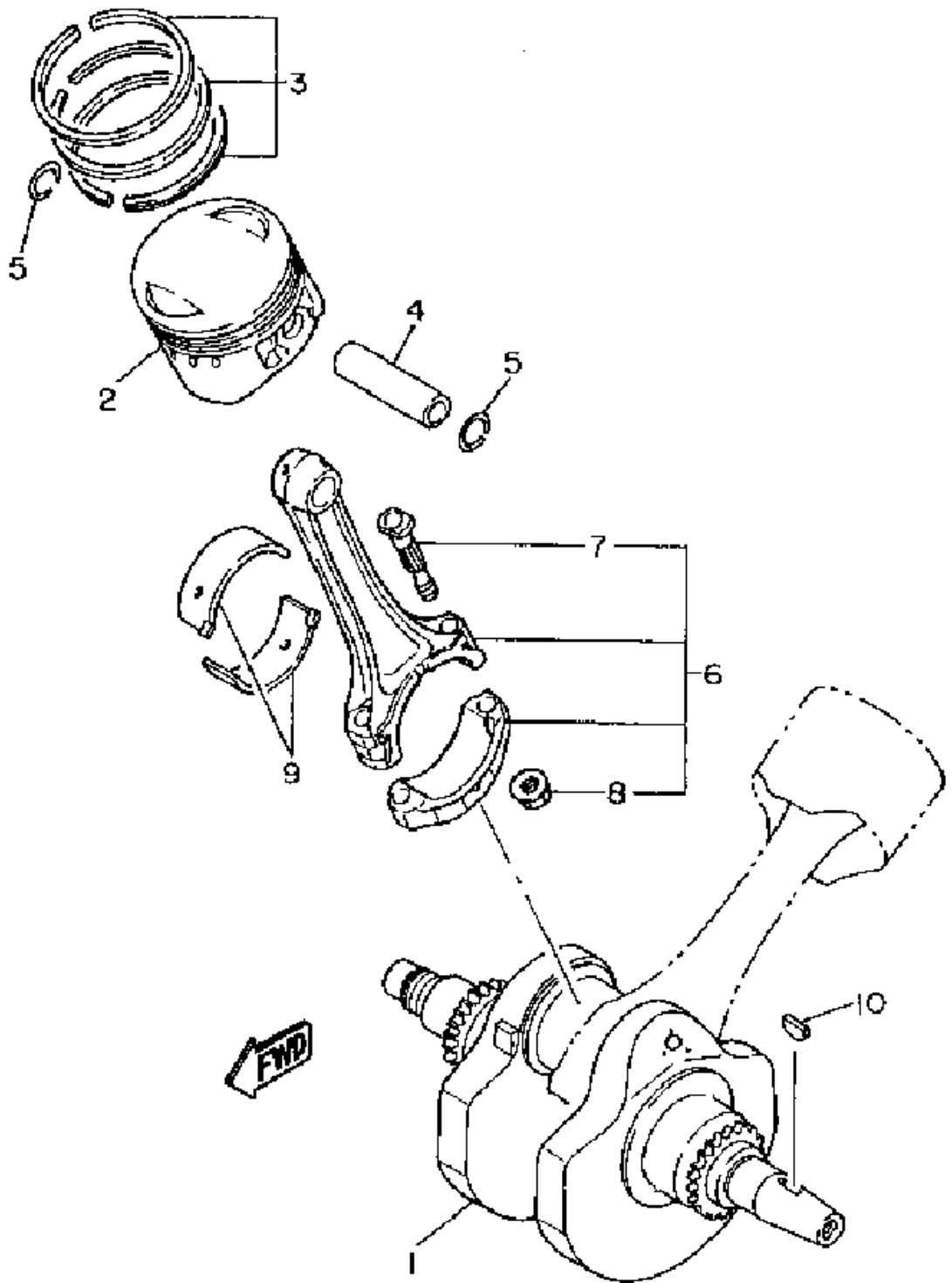
CYLINDER HEAD



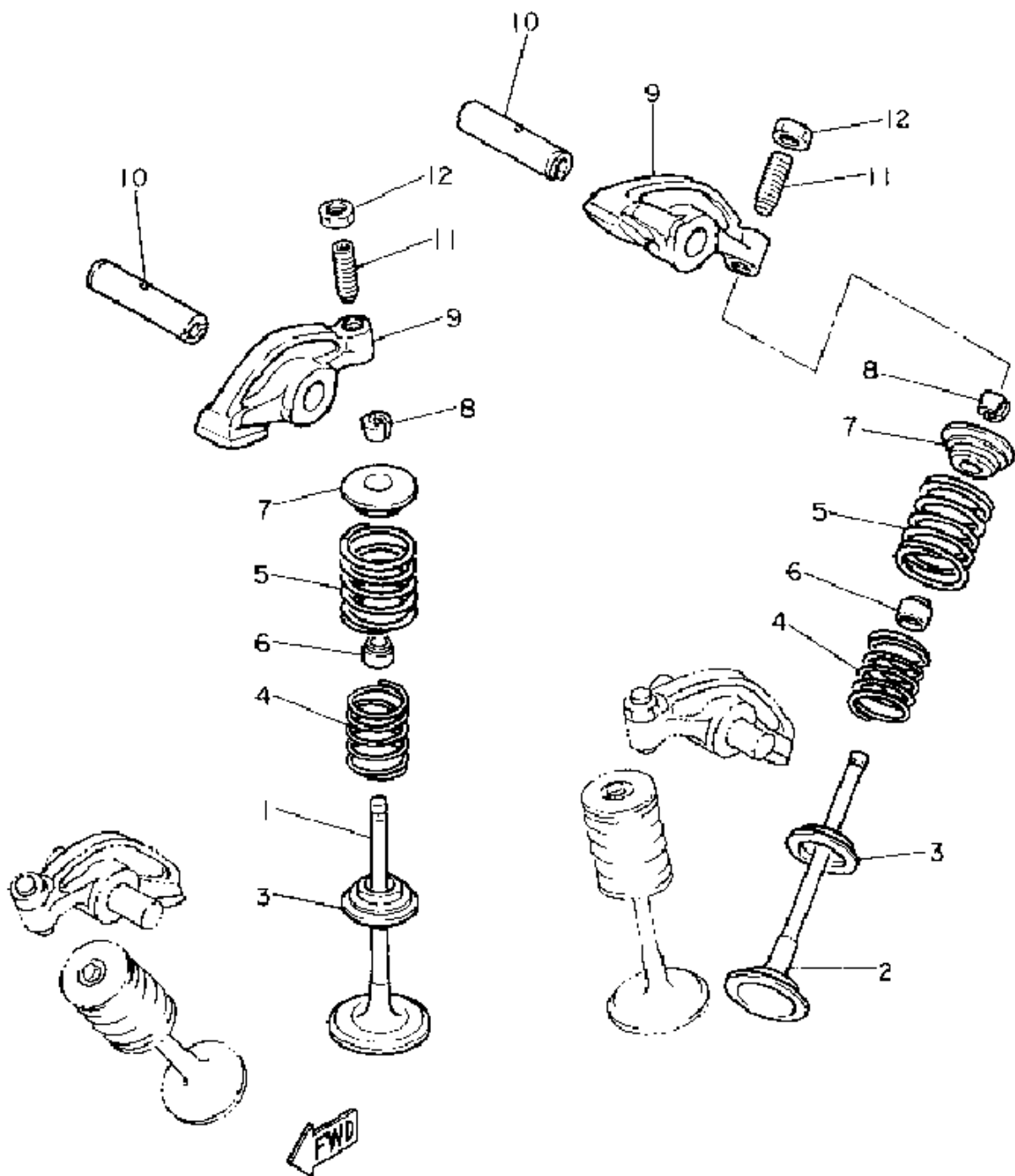
CYLINDER



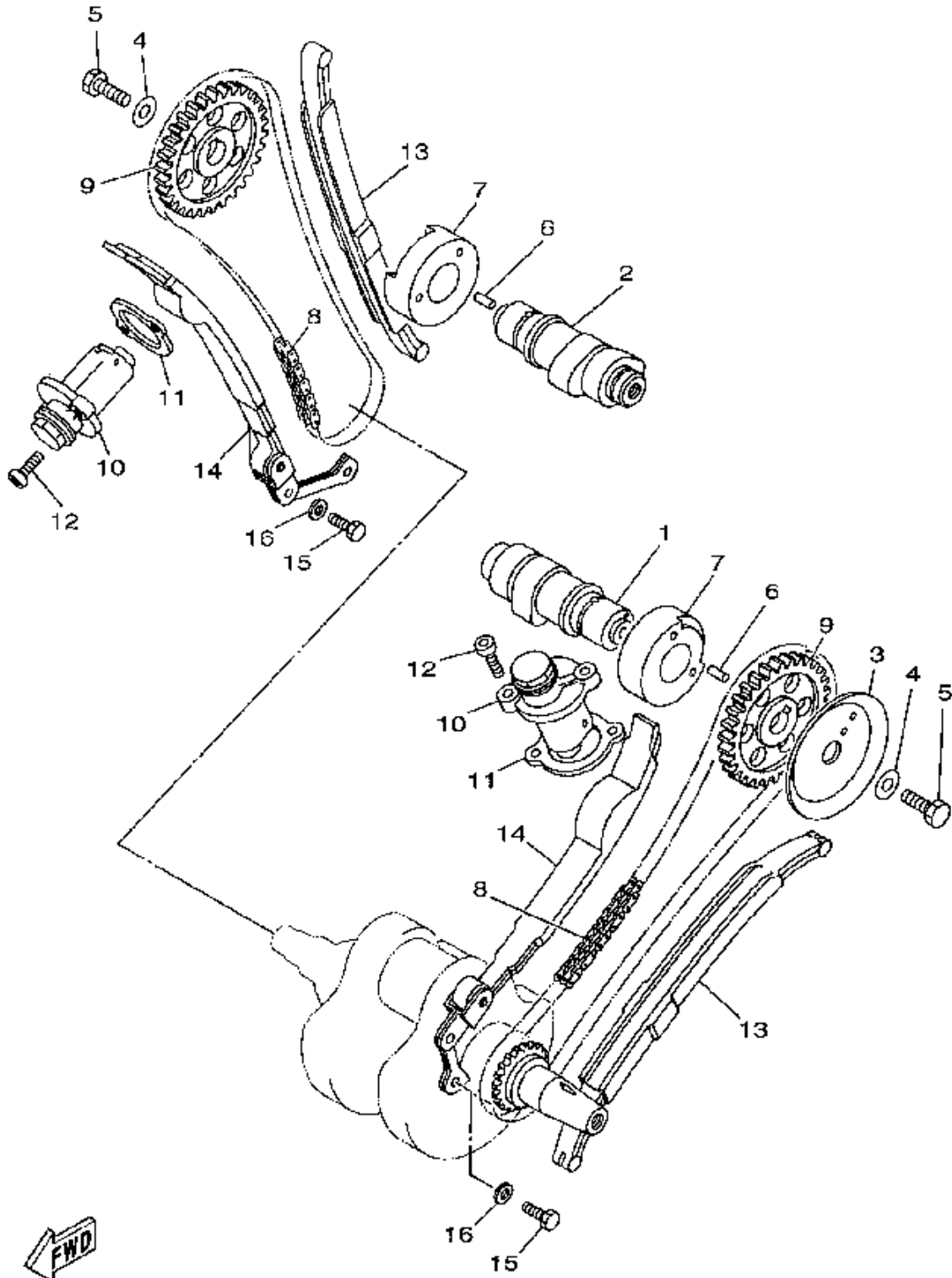
CRANKSHAFT PISTON



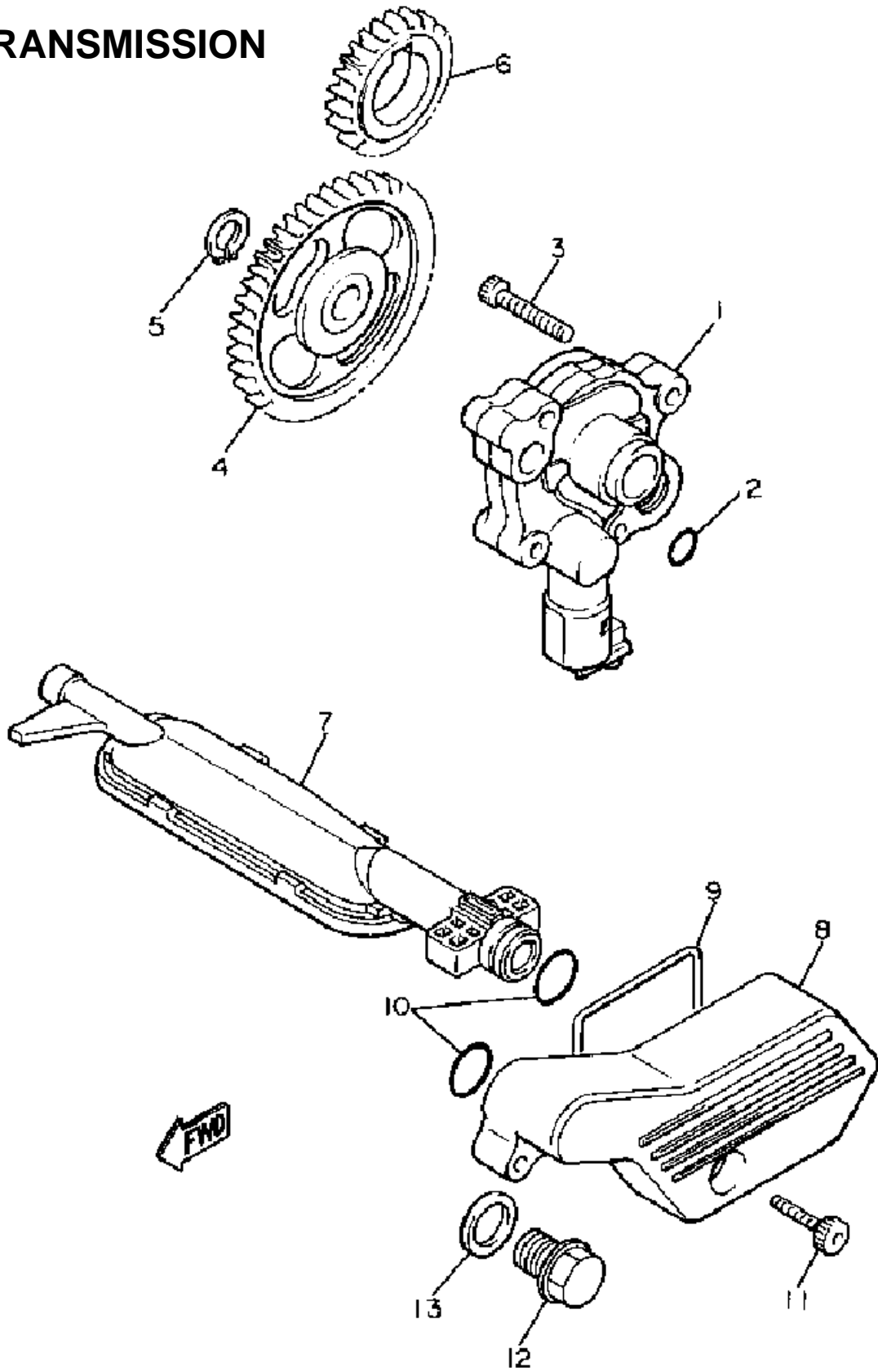
VALVE



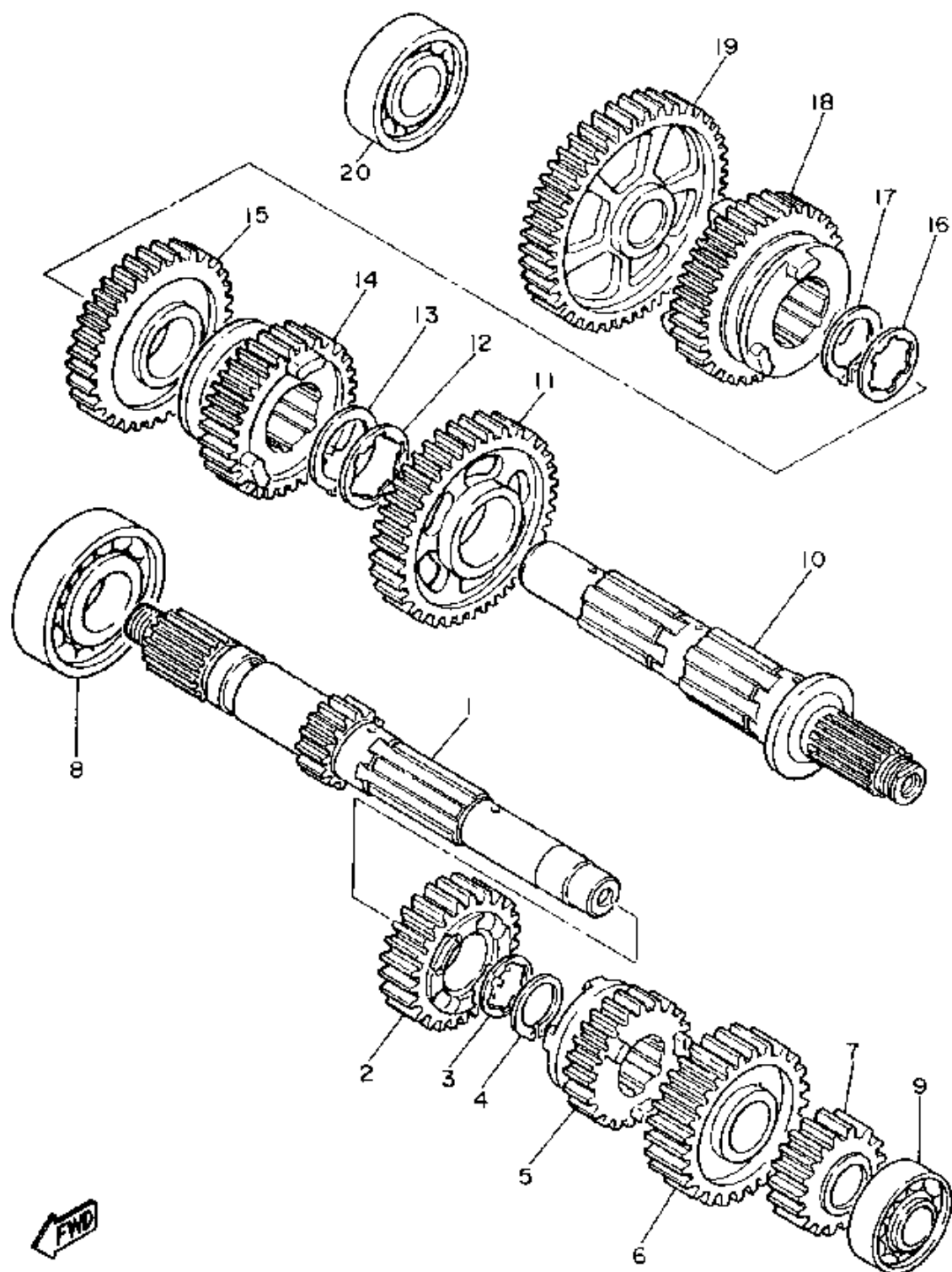
CRANKSHAF - CHAIN



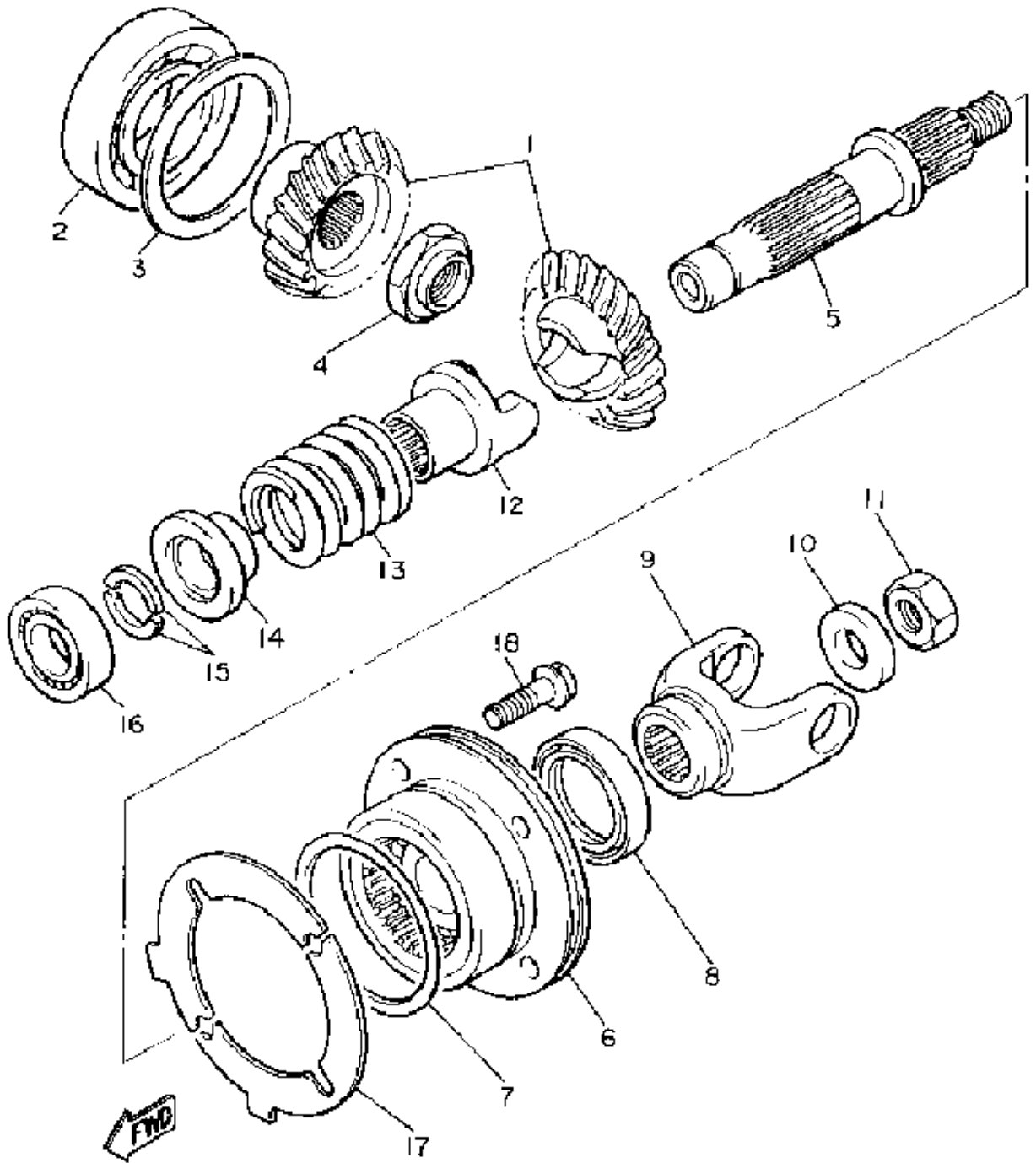
TRANSMISSION



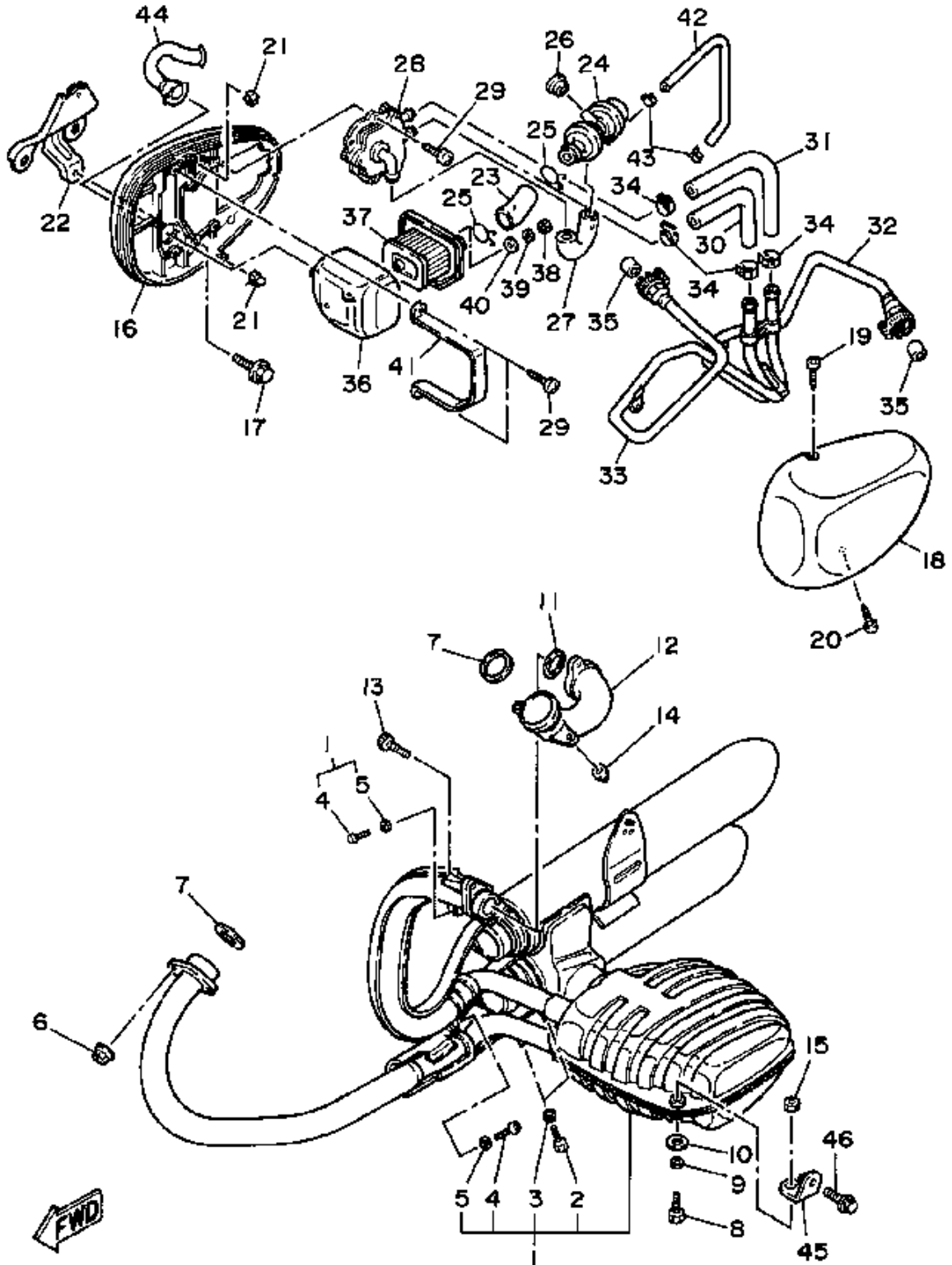
TRANSMISSION



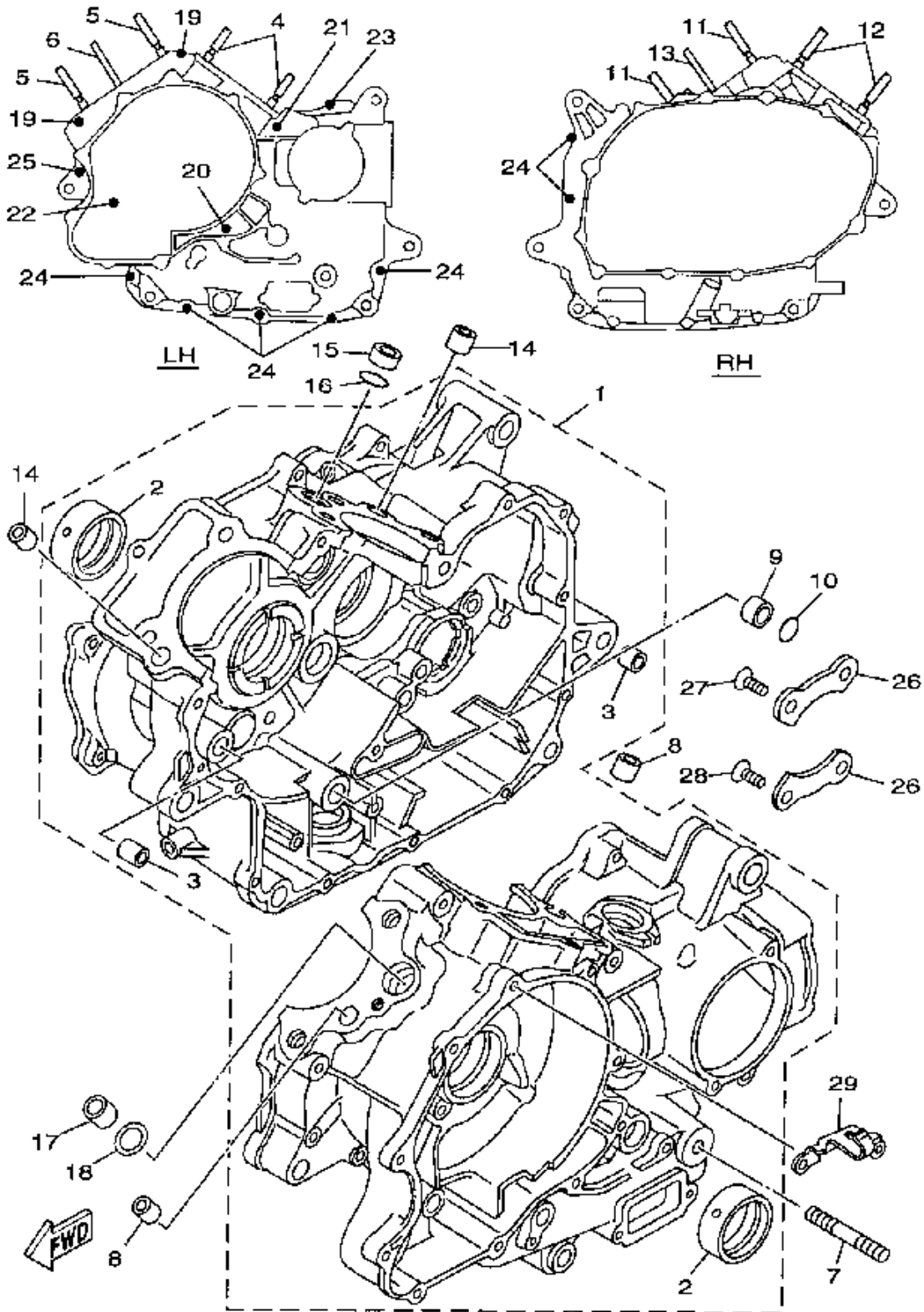
DRIVE SHAFT



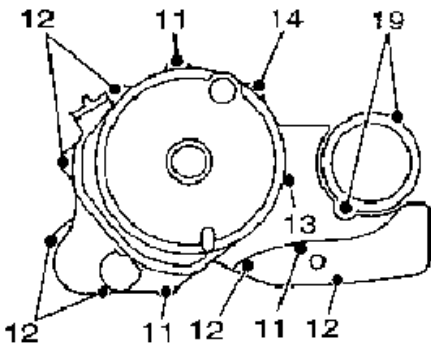
EXHAUST



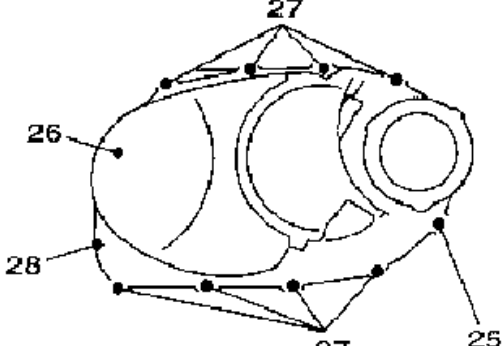
CRANKCASE



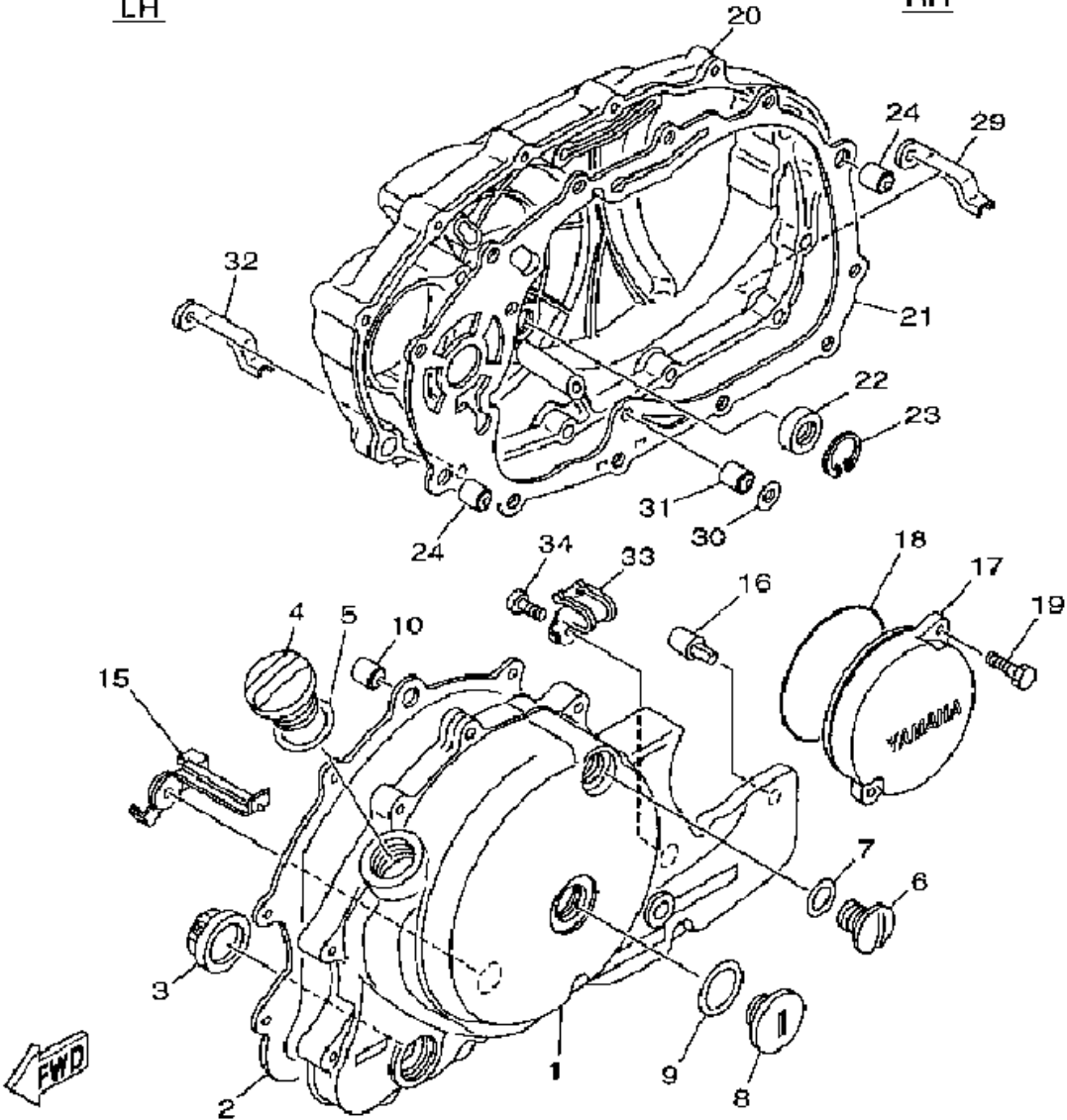
CRANKCASE



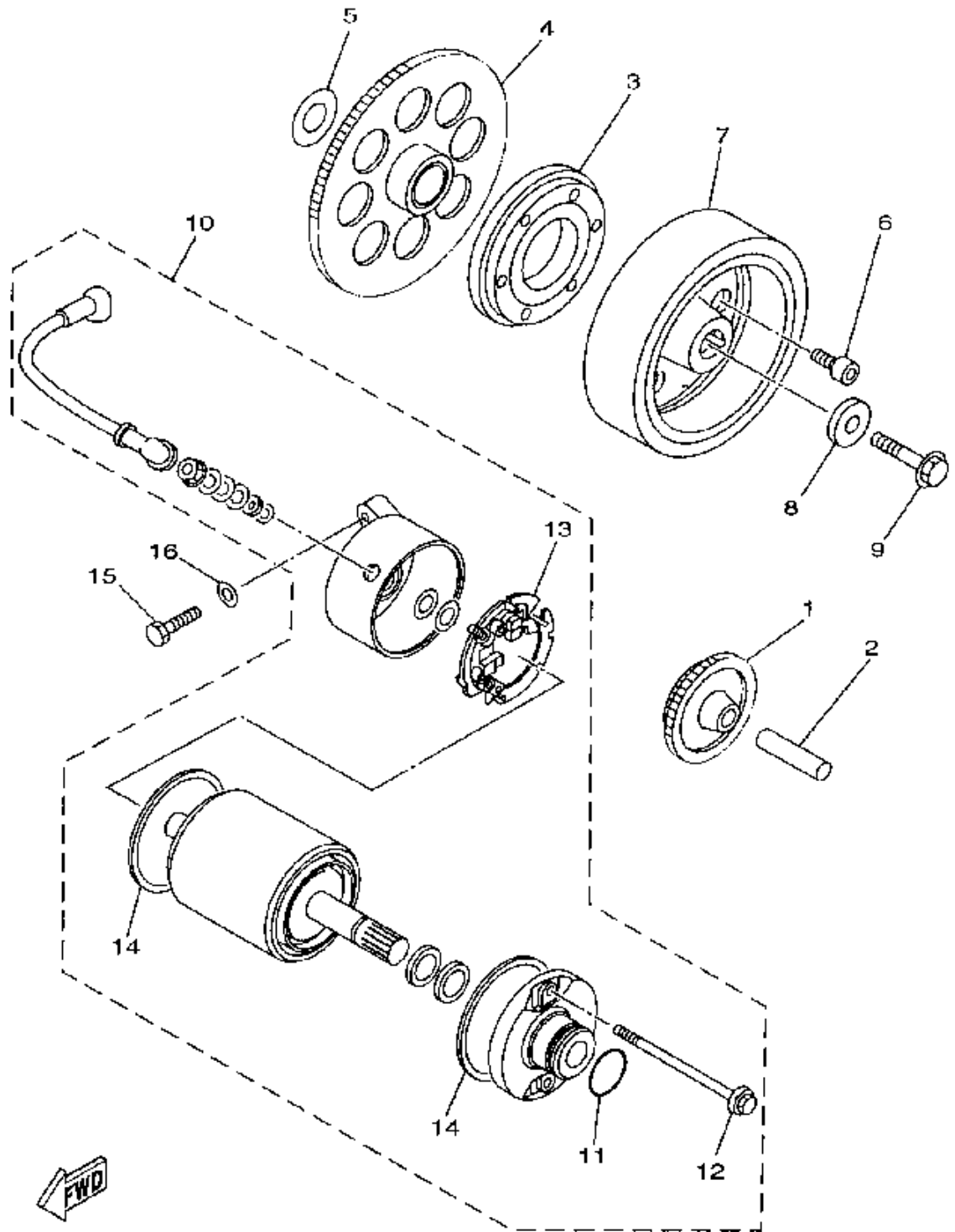
LH



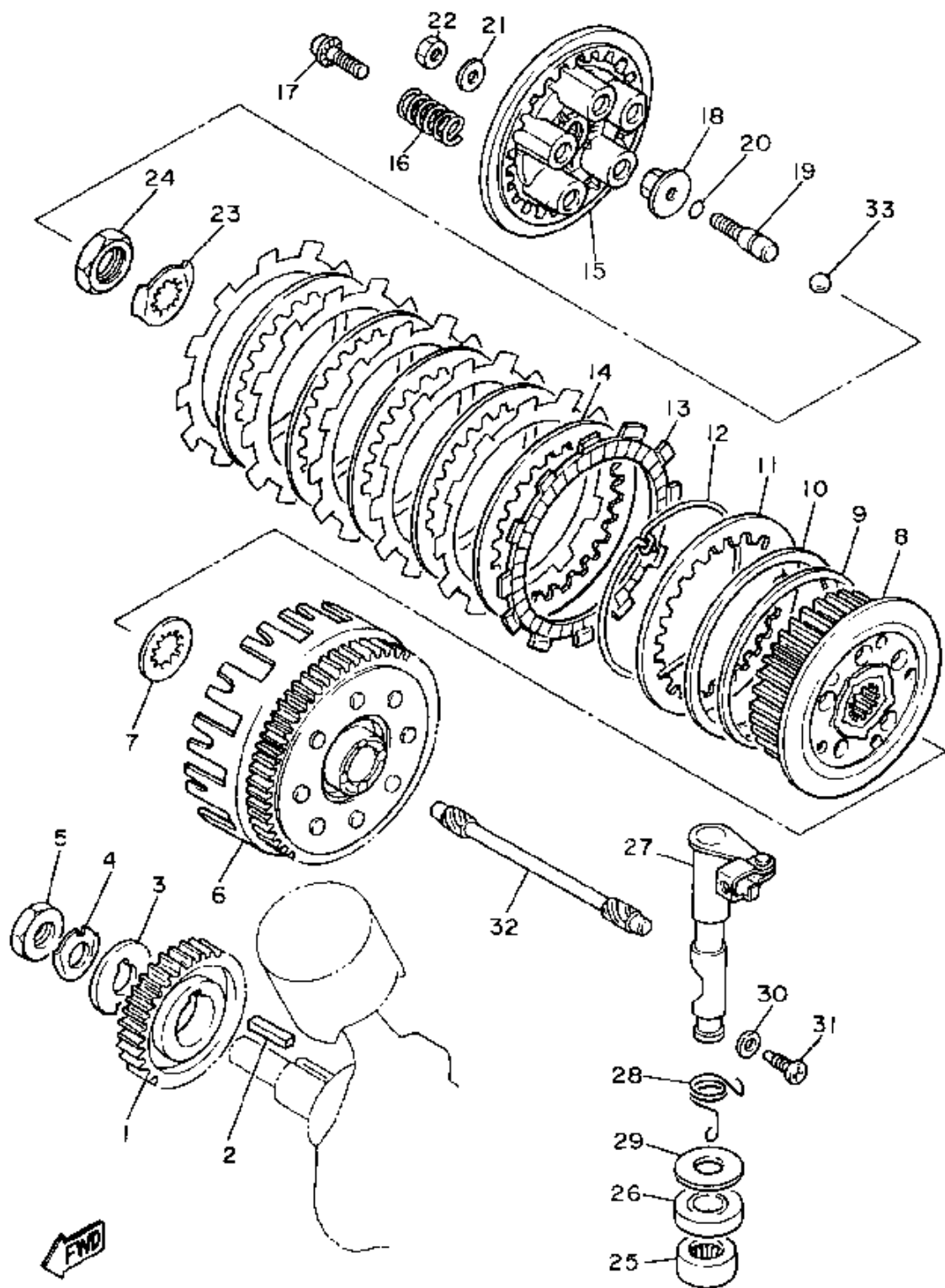
RH



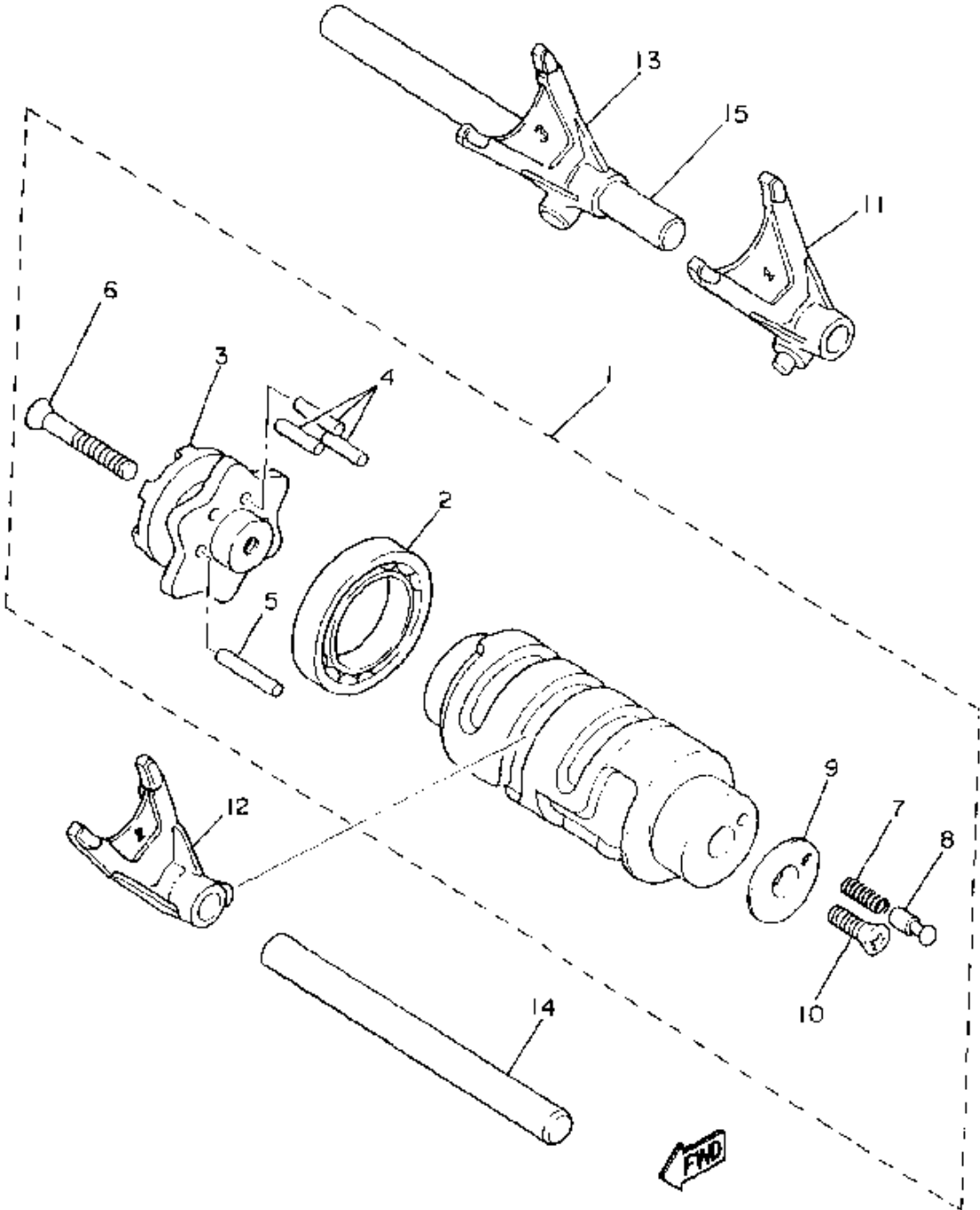
STARTER MOTOR



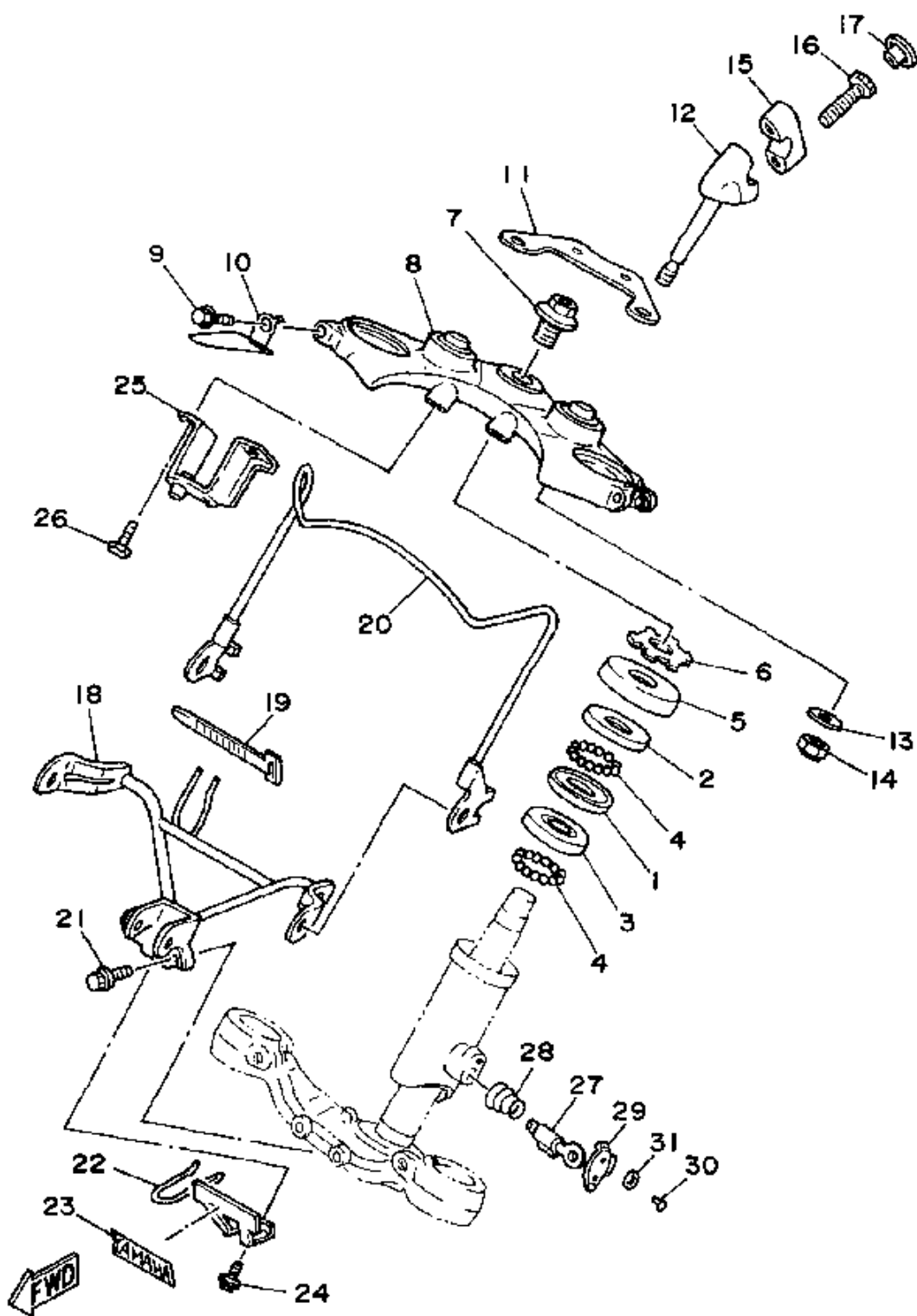
CLUTCH



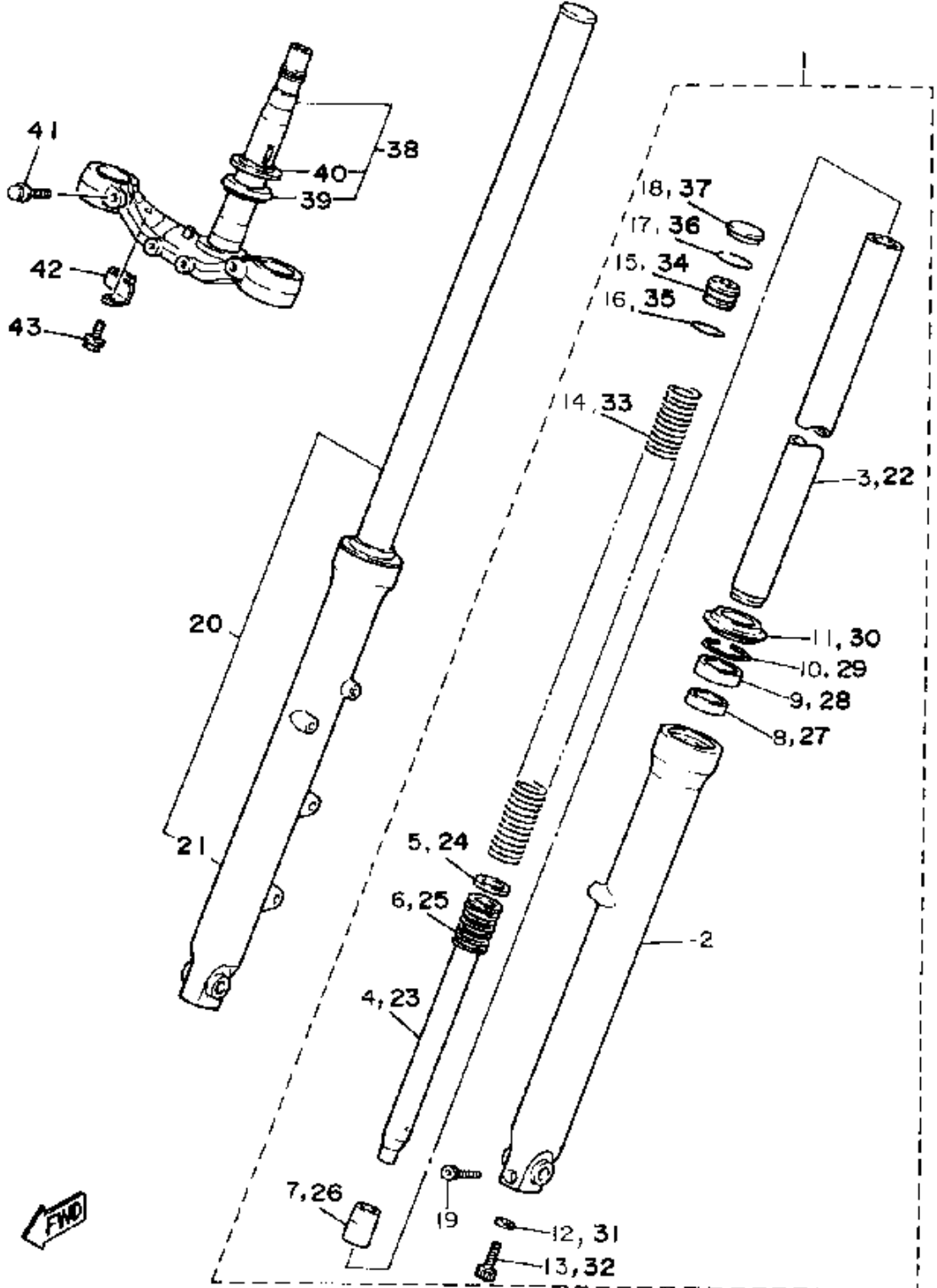
SHIFT CAM- FORK



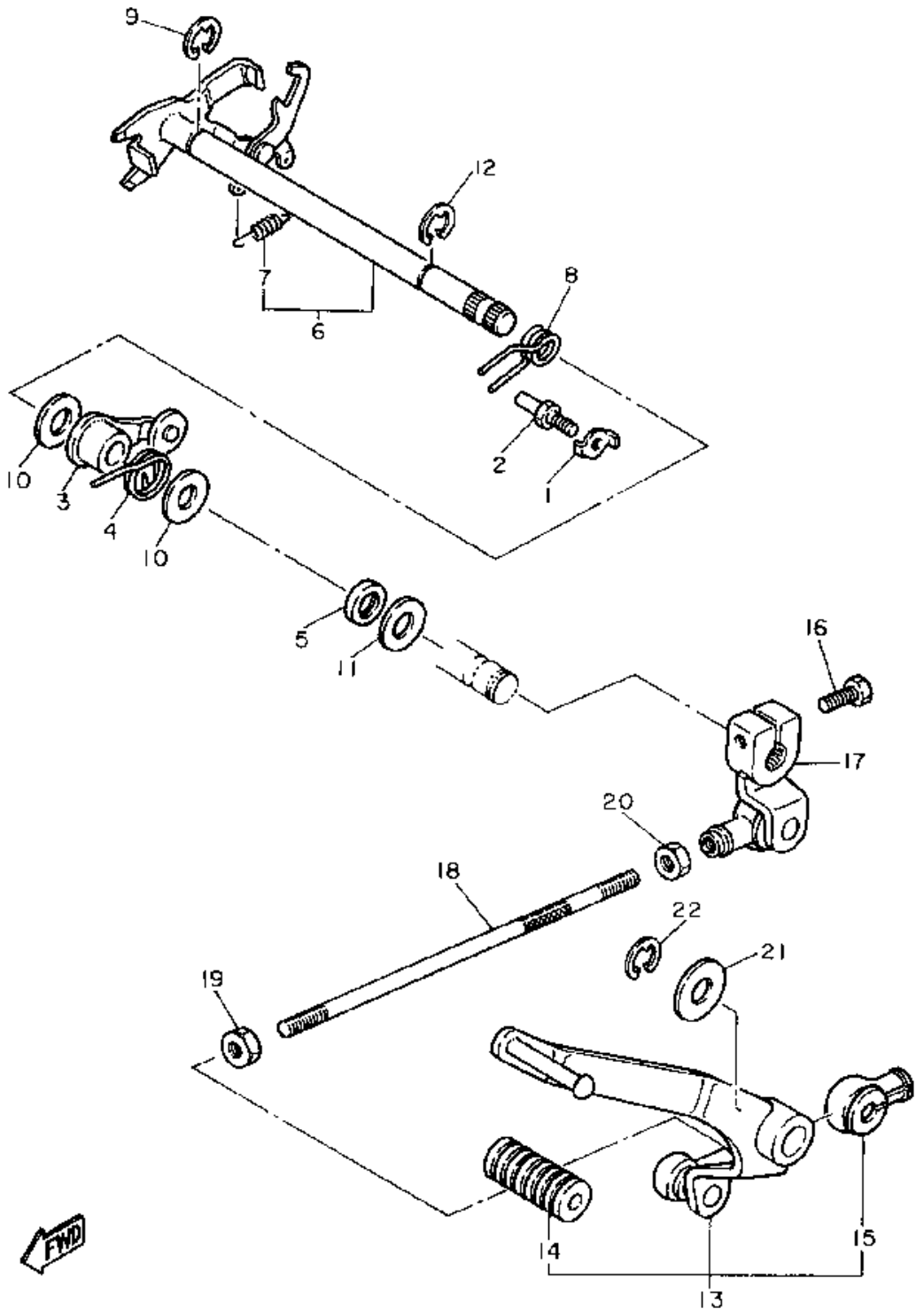
STEERING



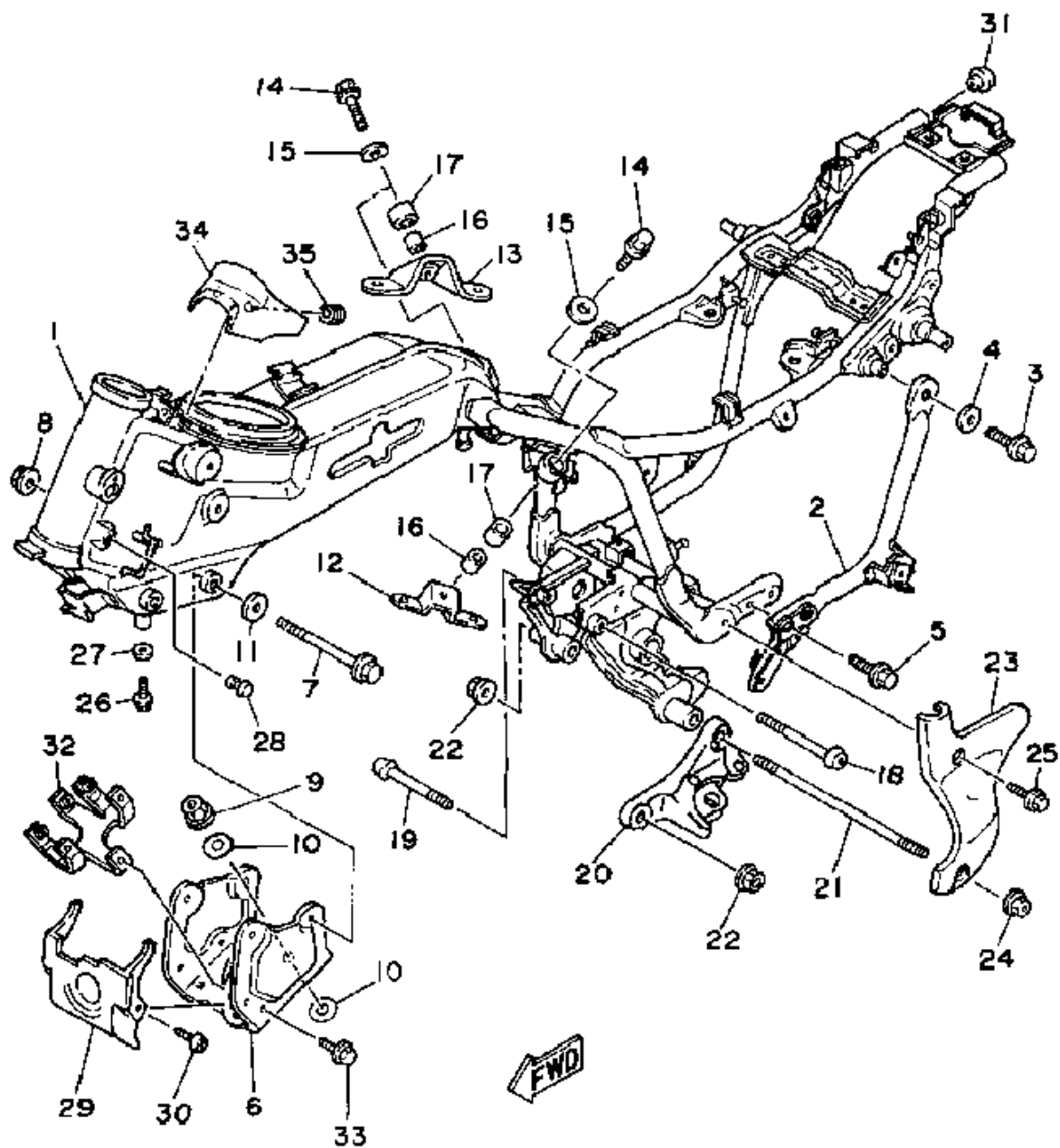
FRONT FORK



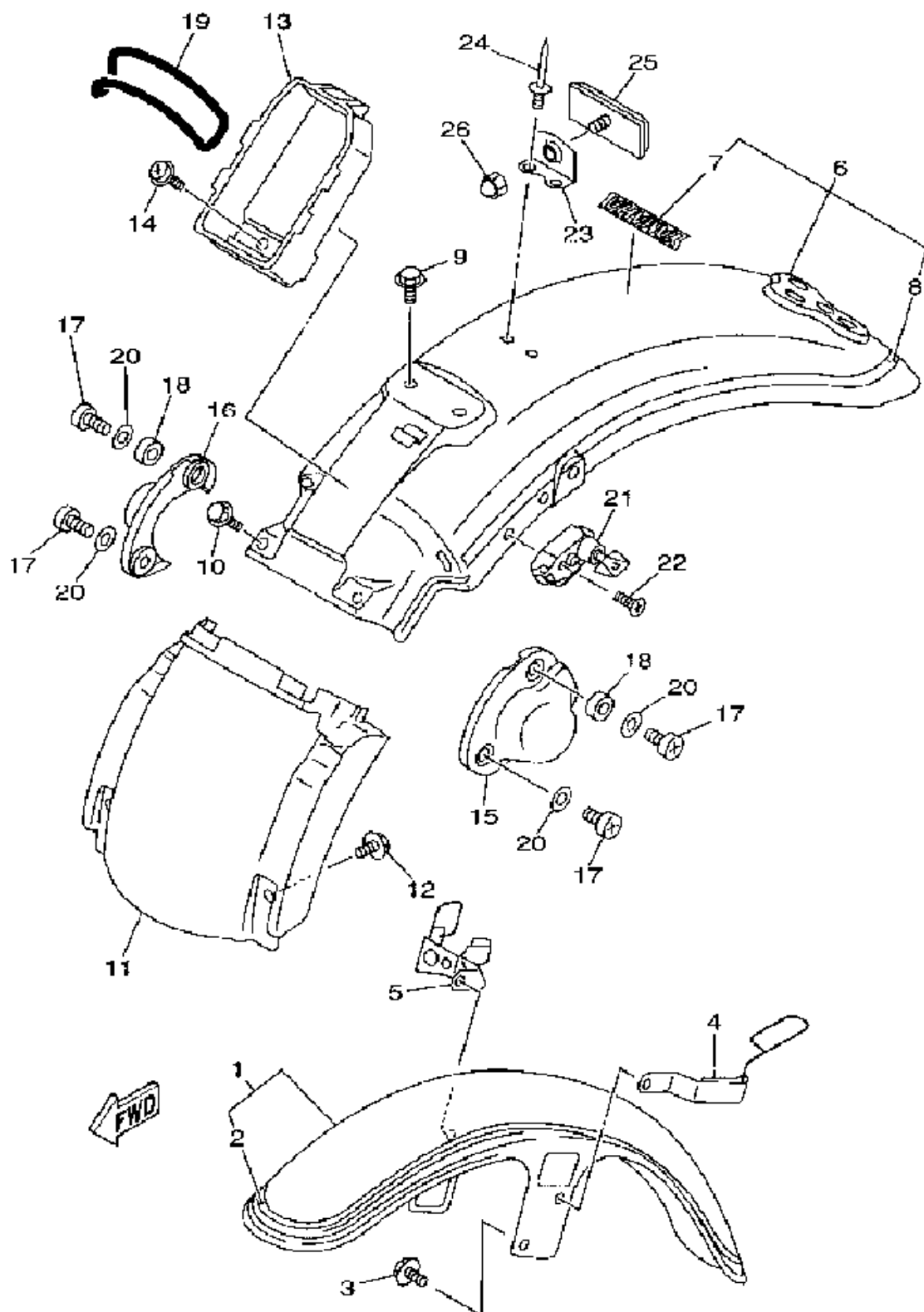
SHIFT SHAFT



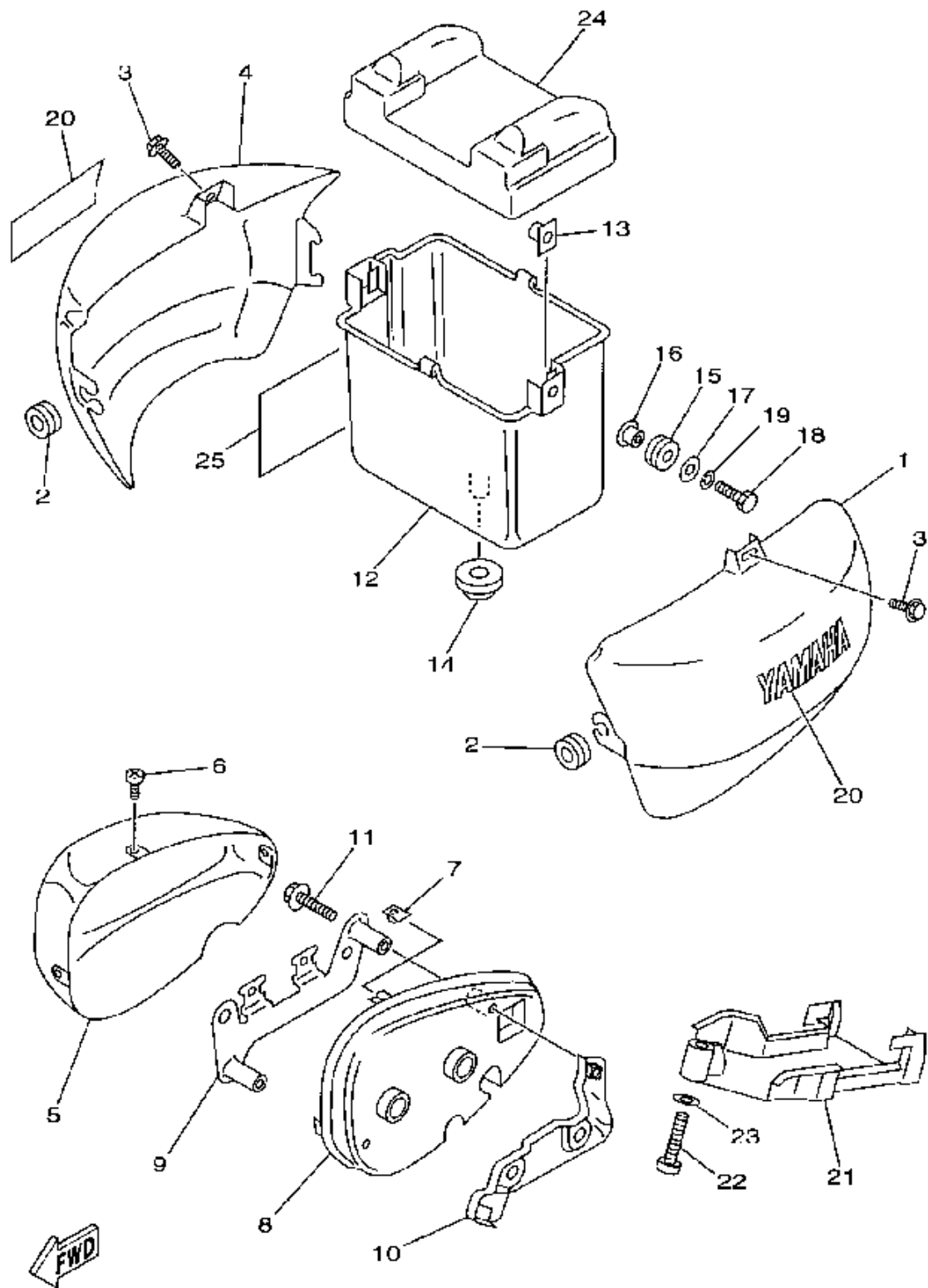
FRAME



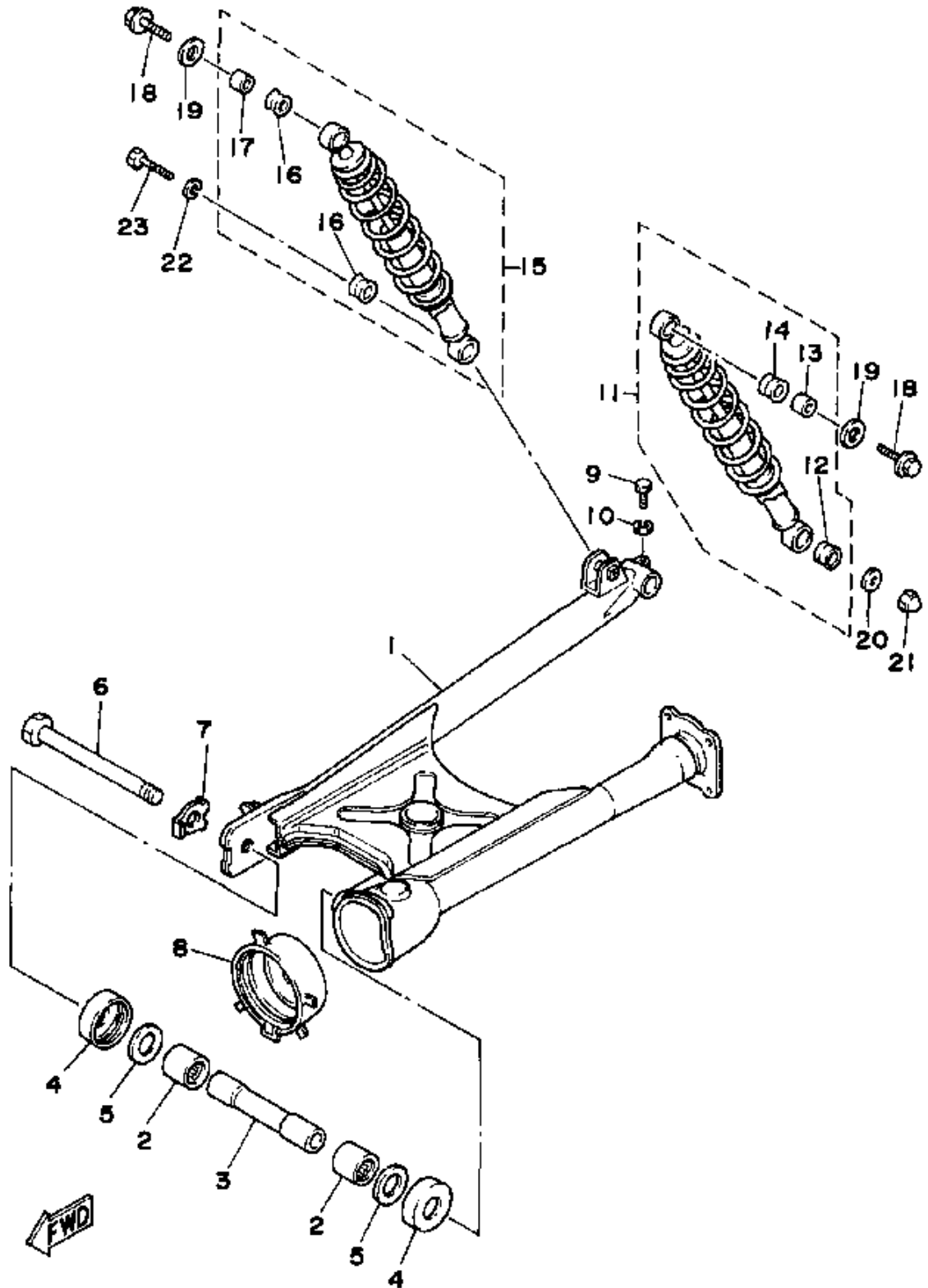
FENDER



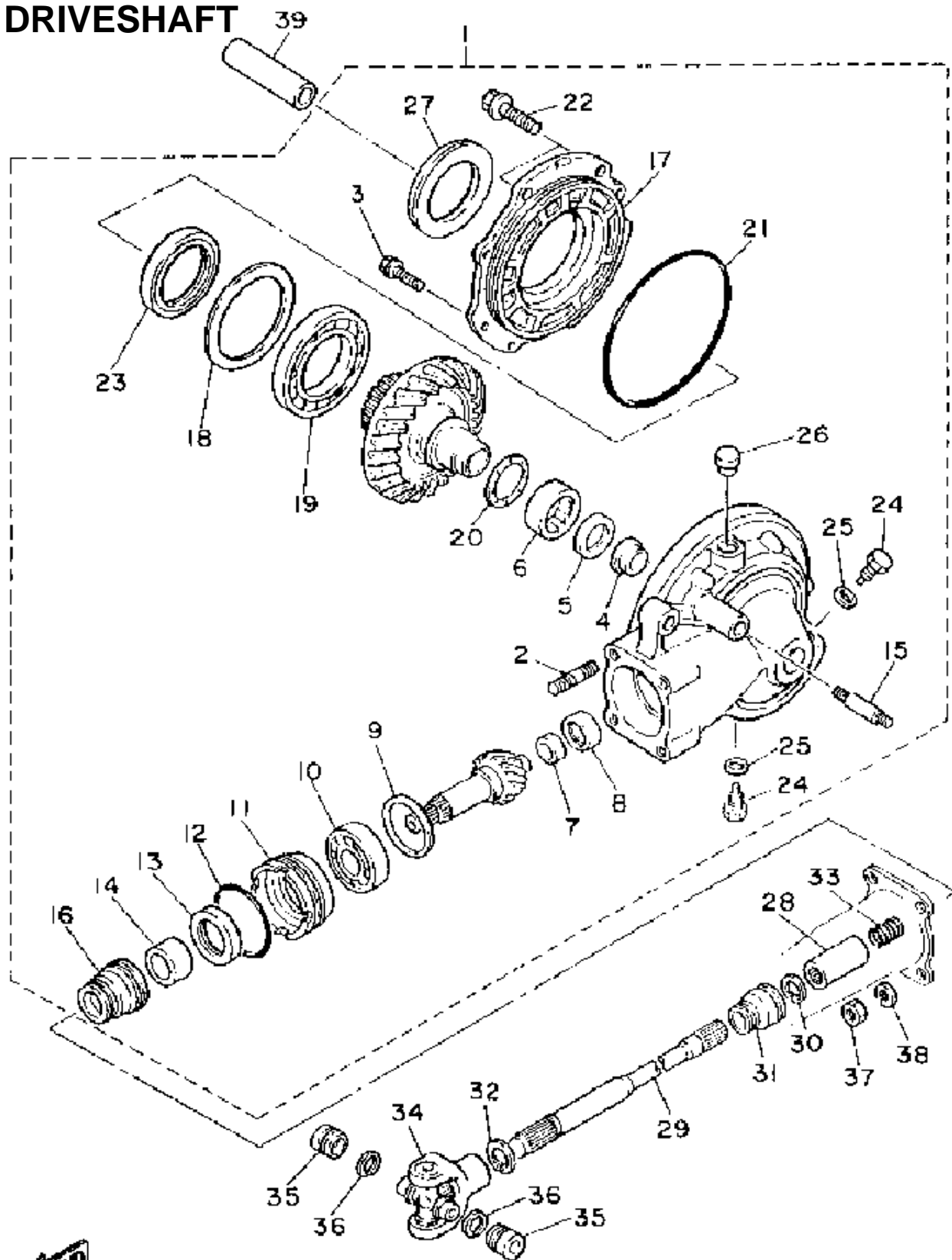
SIDE COVER



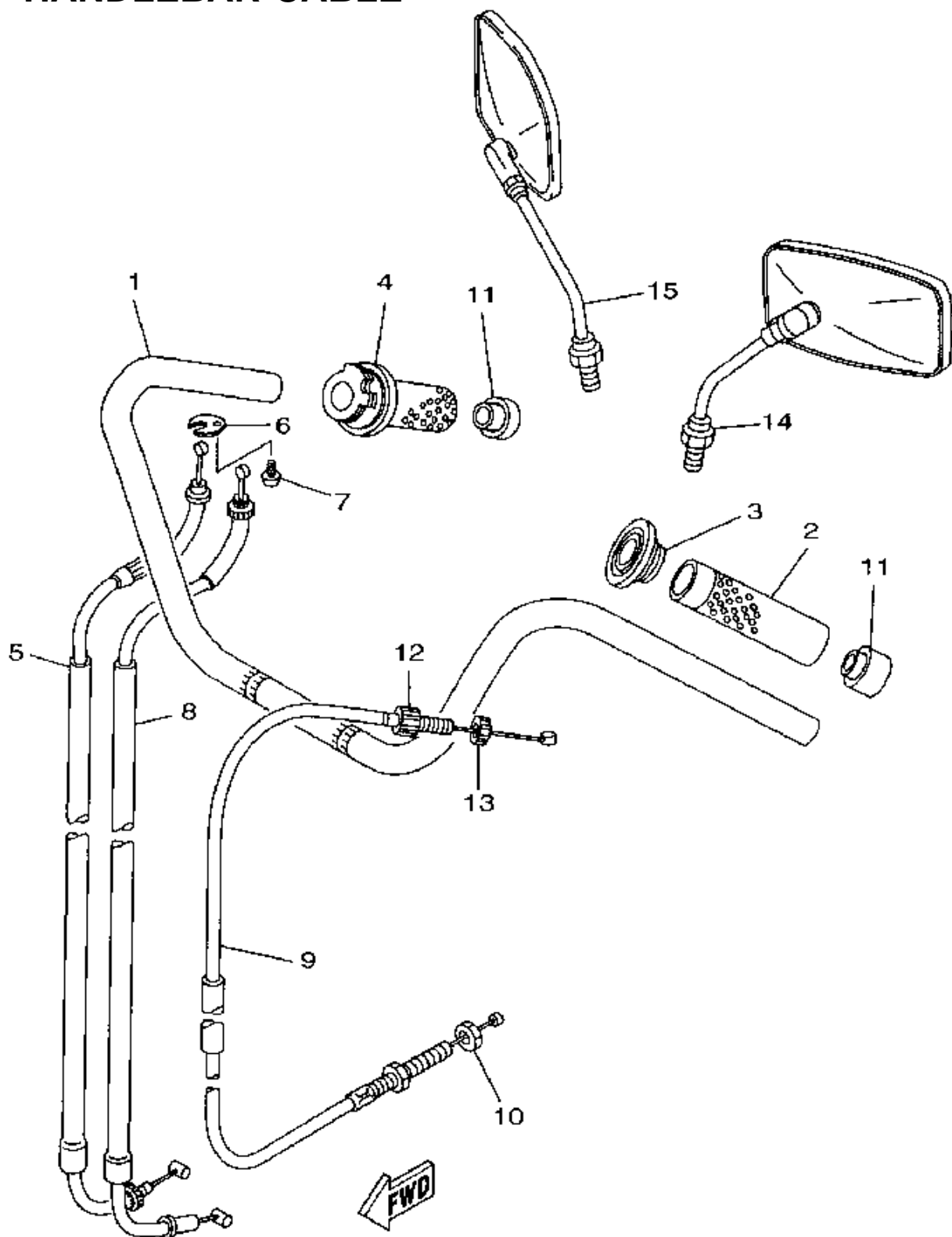
SWING ARM - REAR SHOCKS



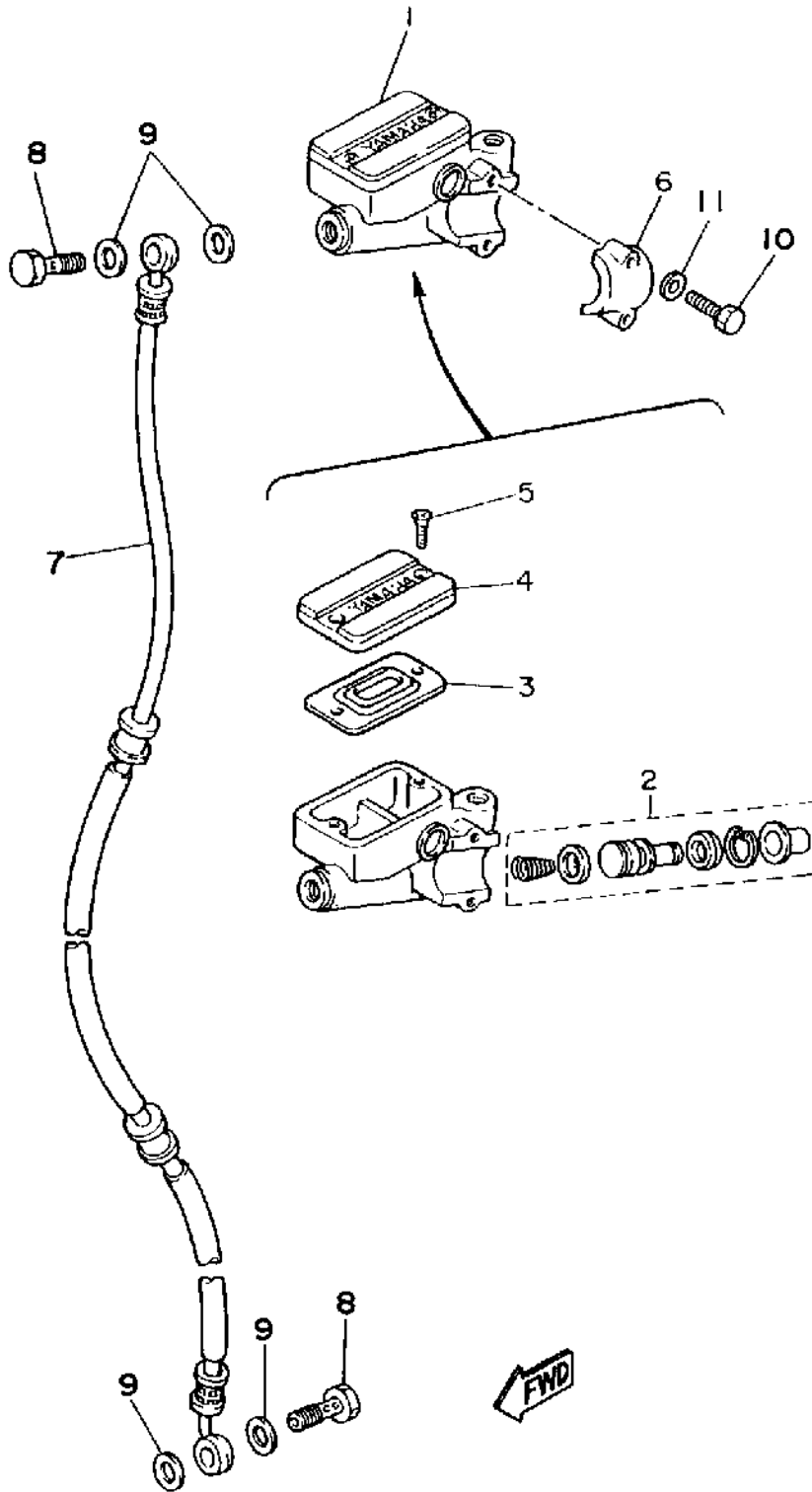
DRIVESHAFT



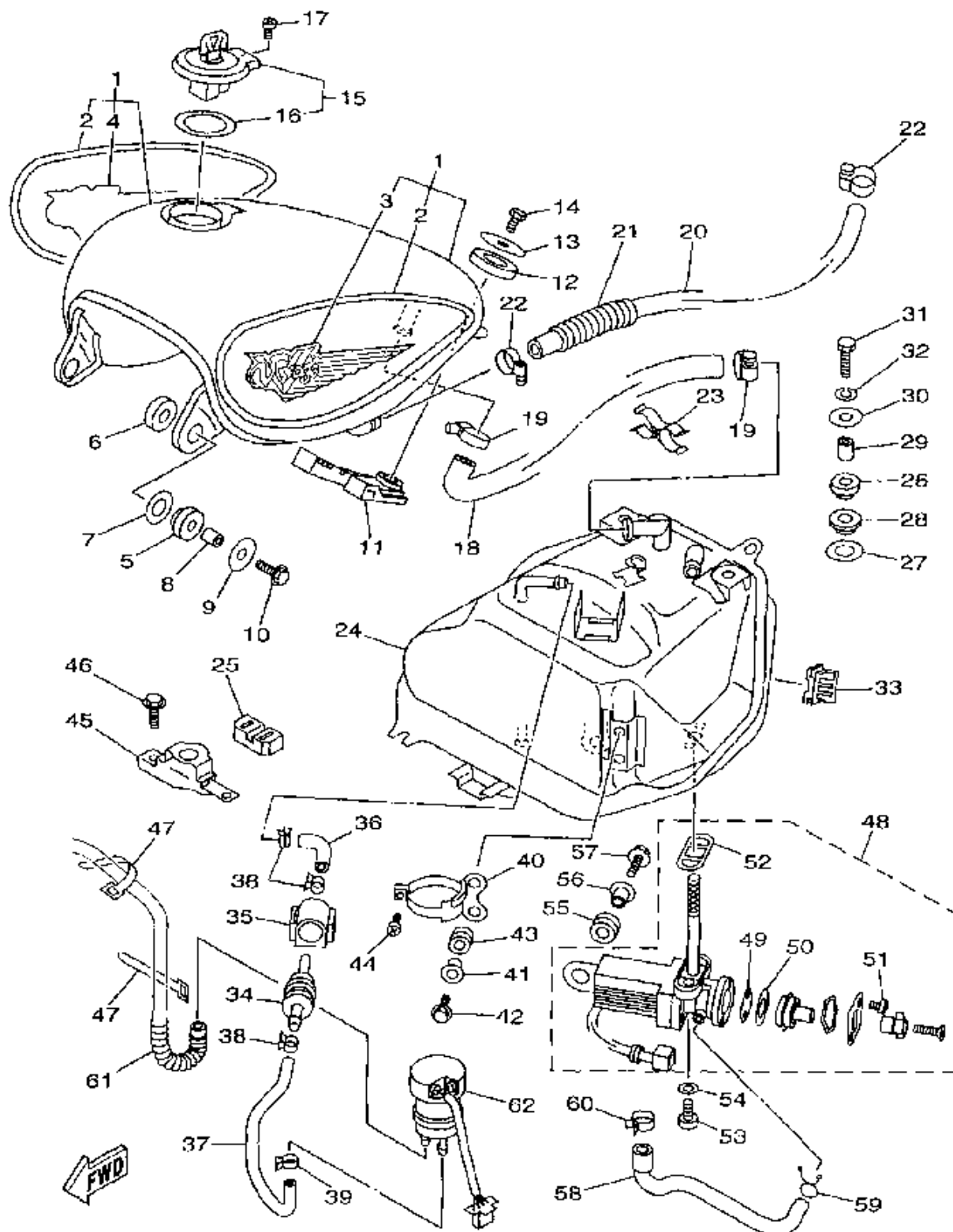
HANDLEBAR-CABLE



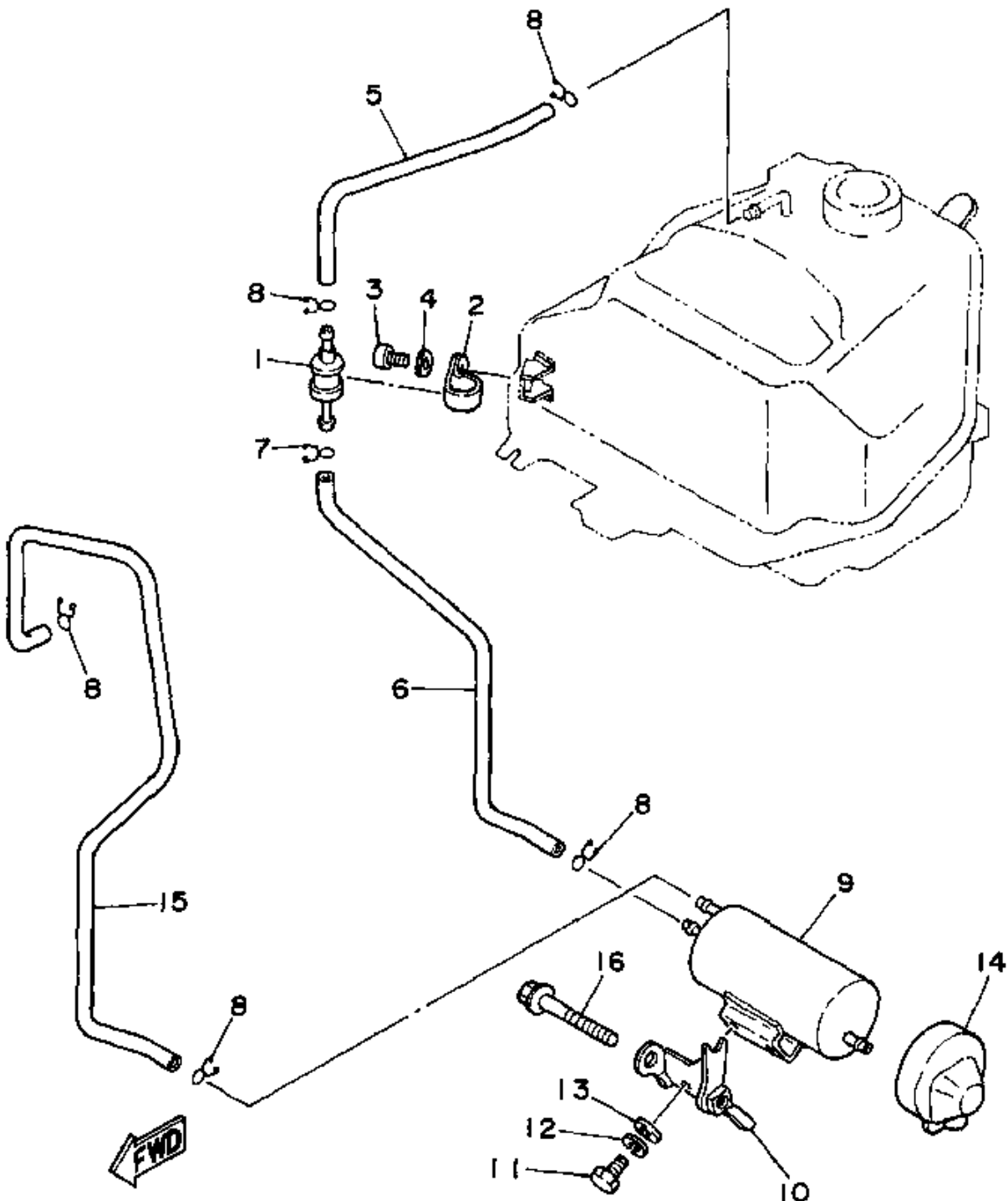
FRONT MASTER CYLINDER



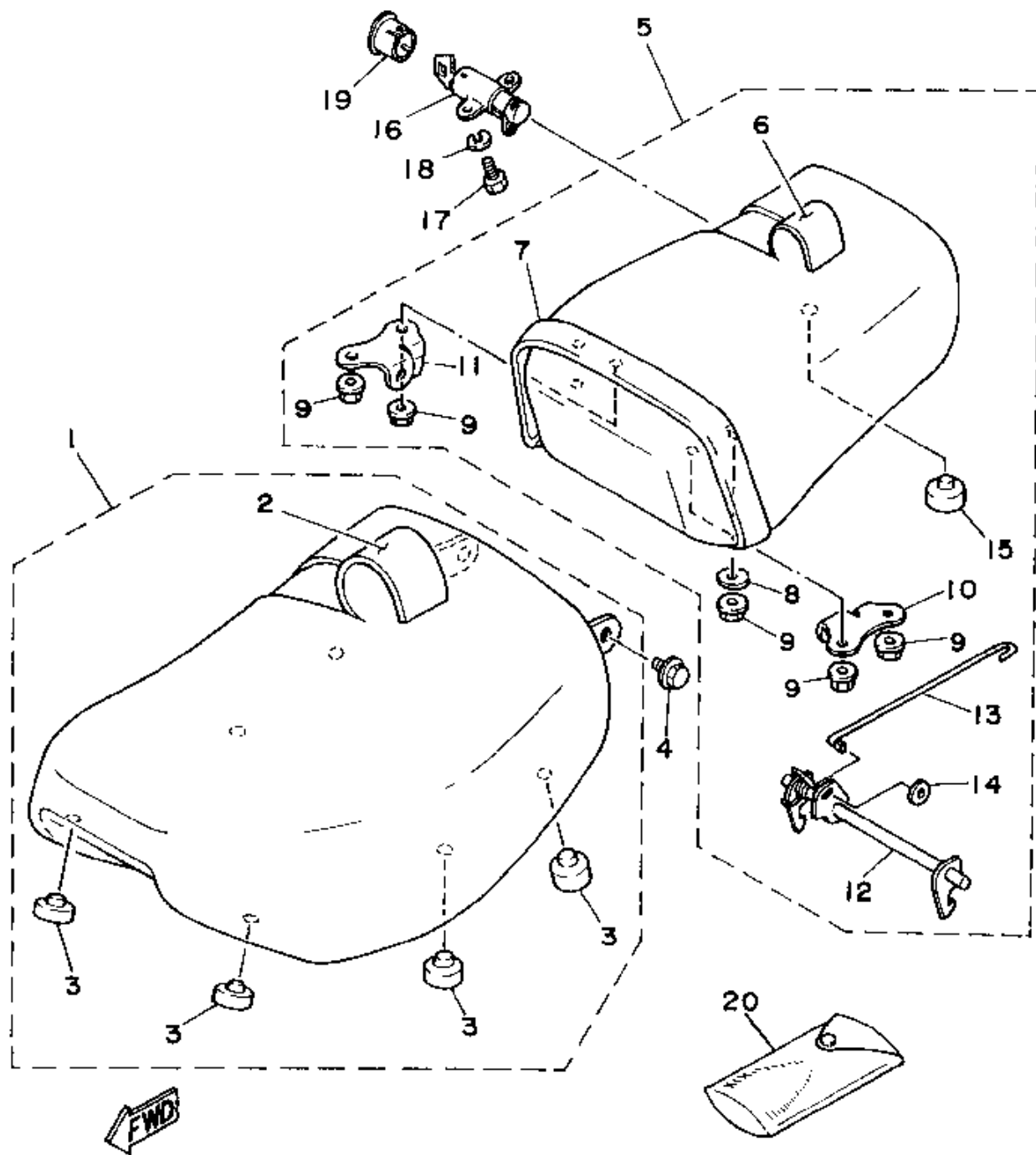
FUEL TANK



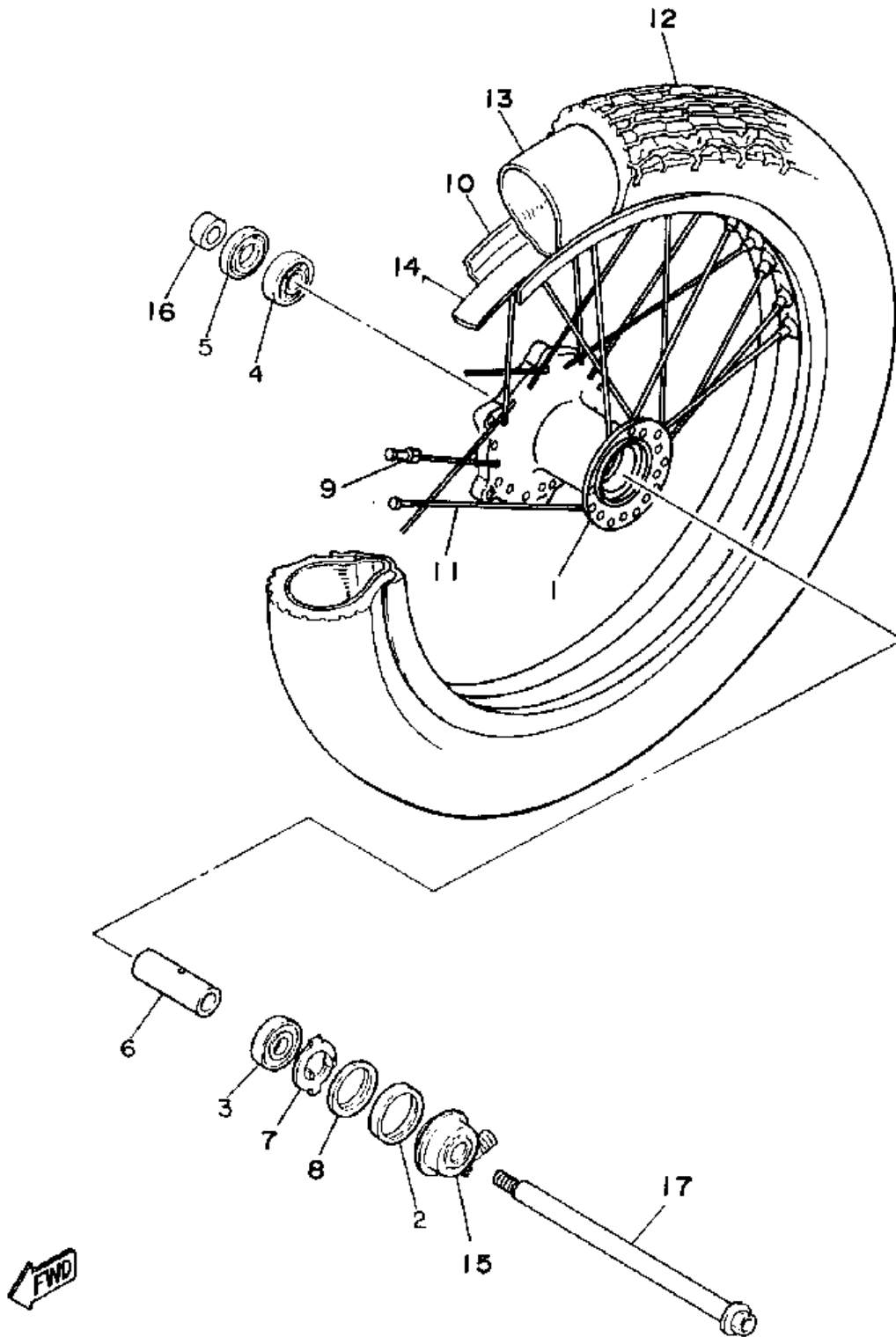
OIL PUMP



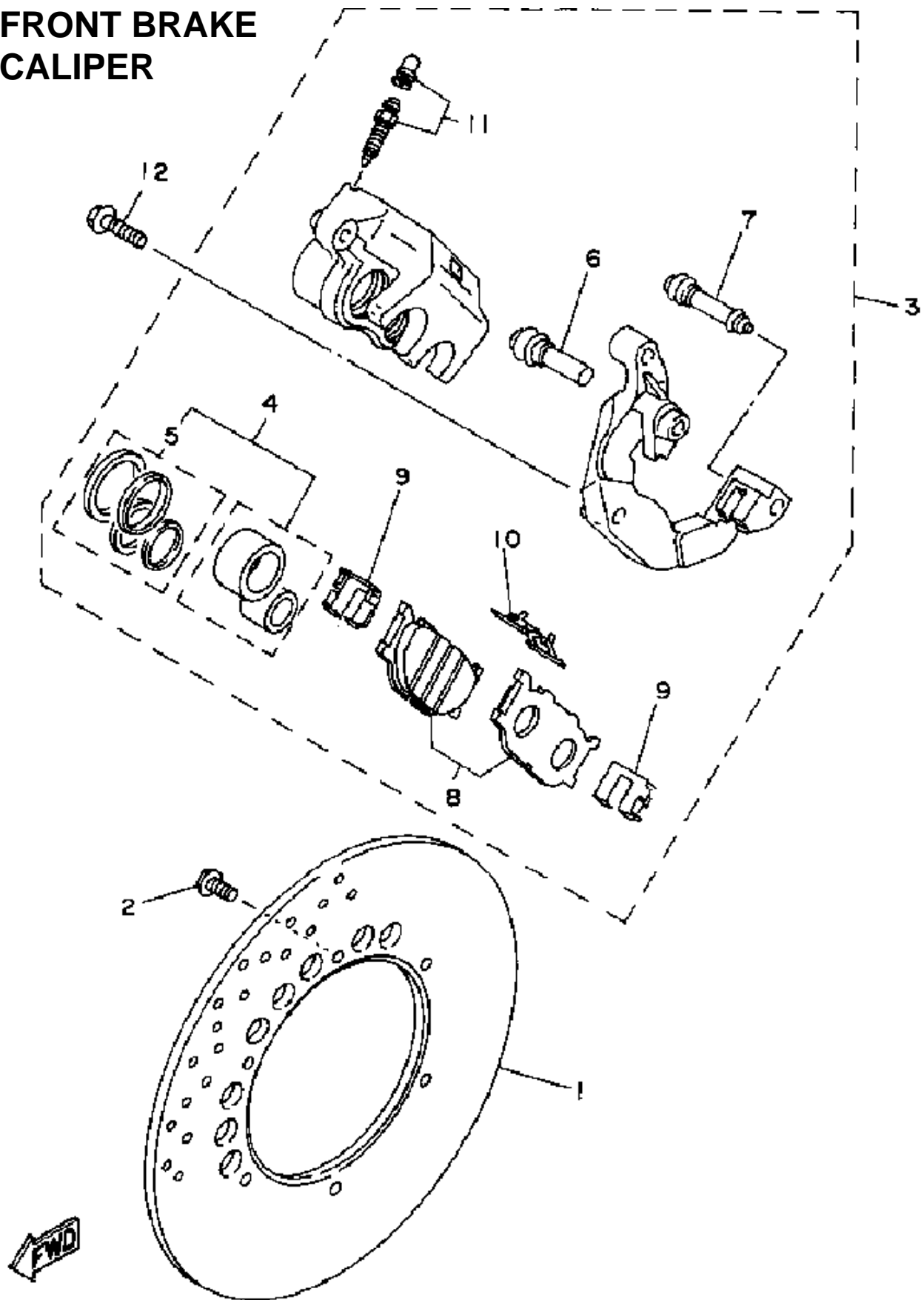
SEAT



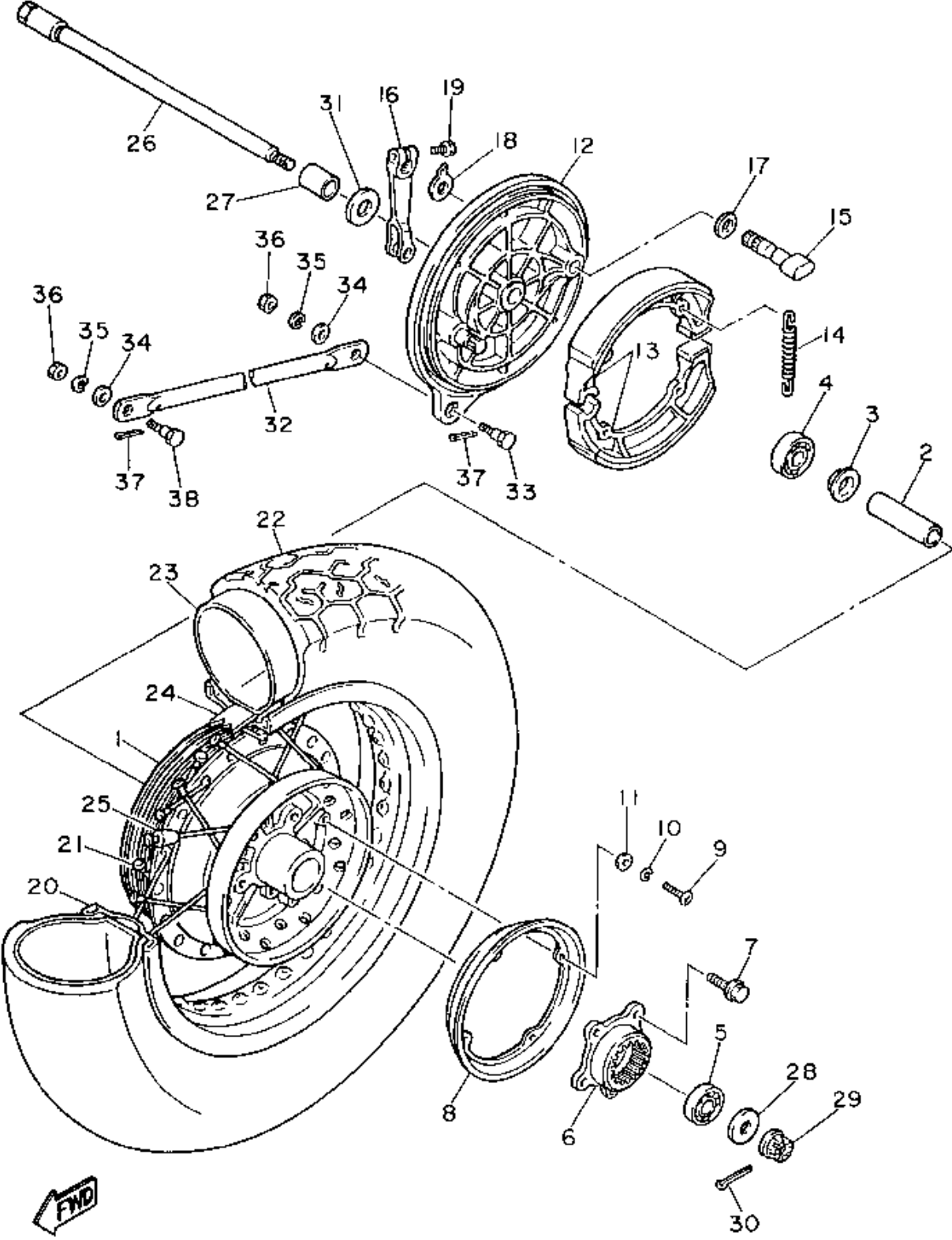
FRONT WHEEL



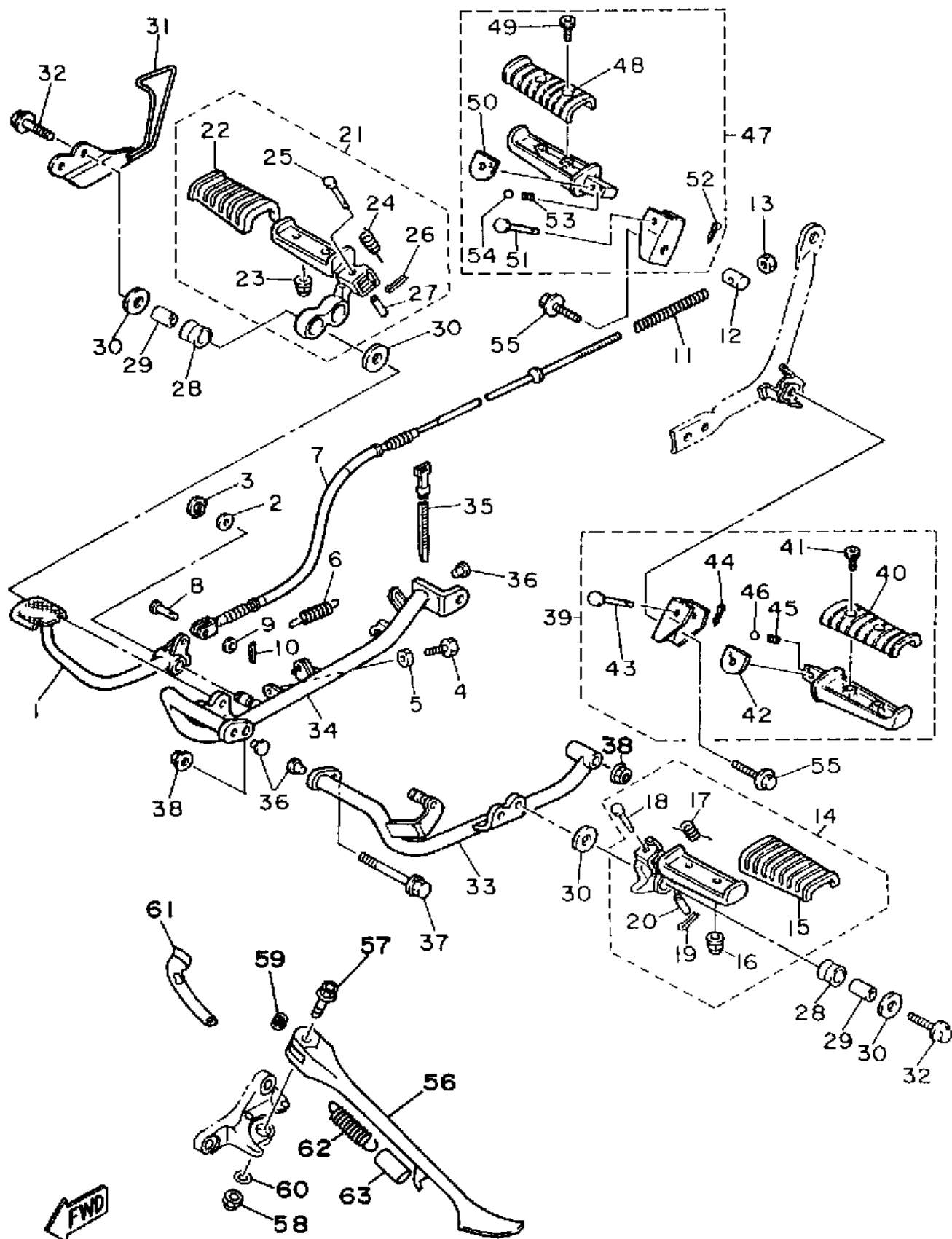
FRONT BRAKE CALIPER



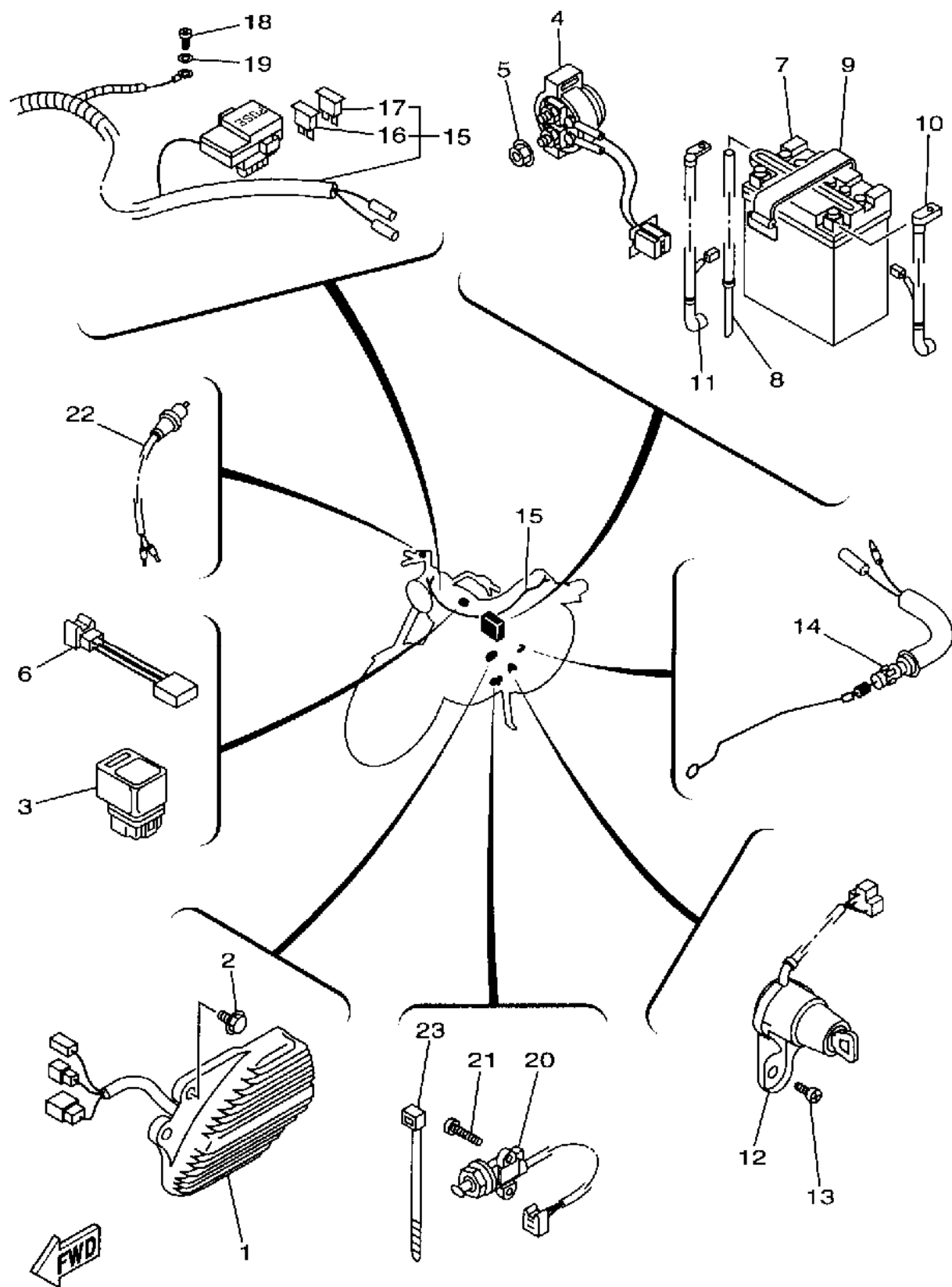
REAR WHEEL



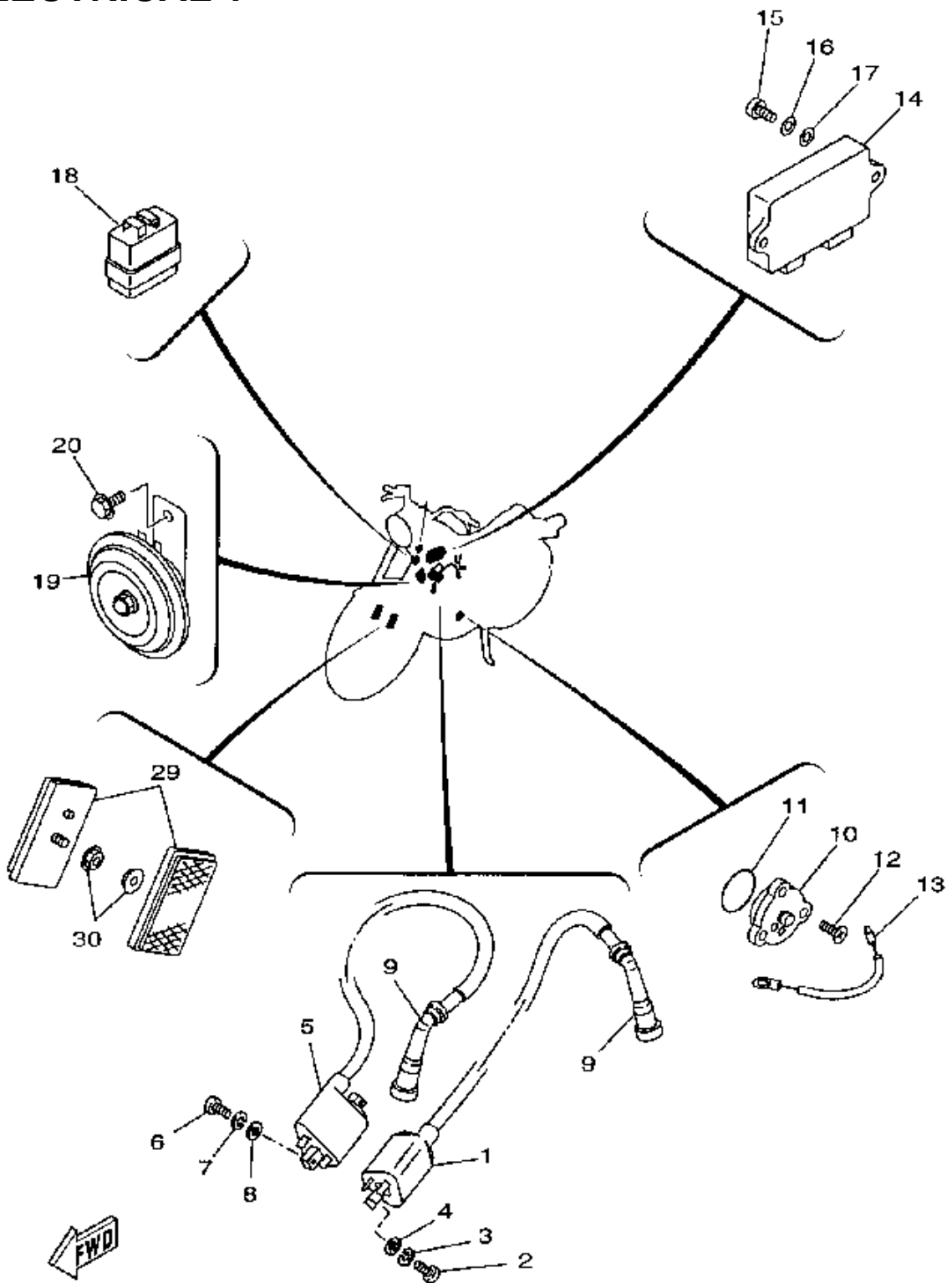
STAND-FOOTREST



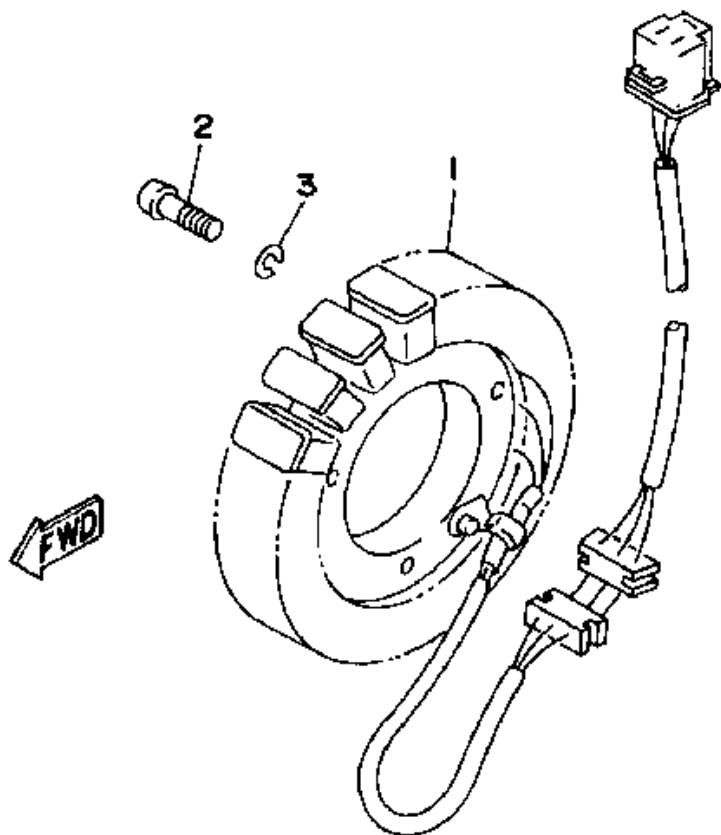
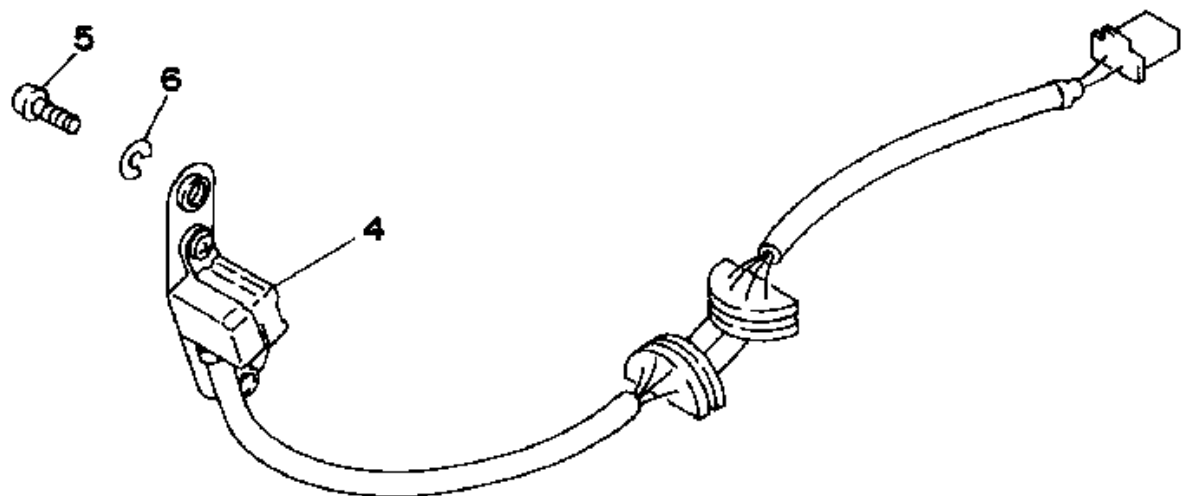
ELECTRICAL



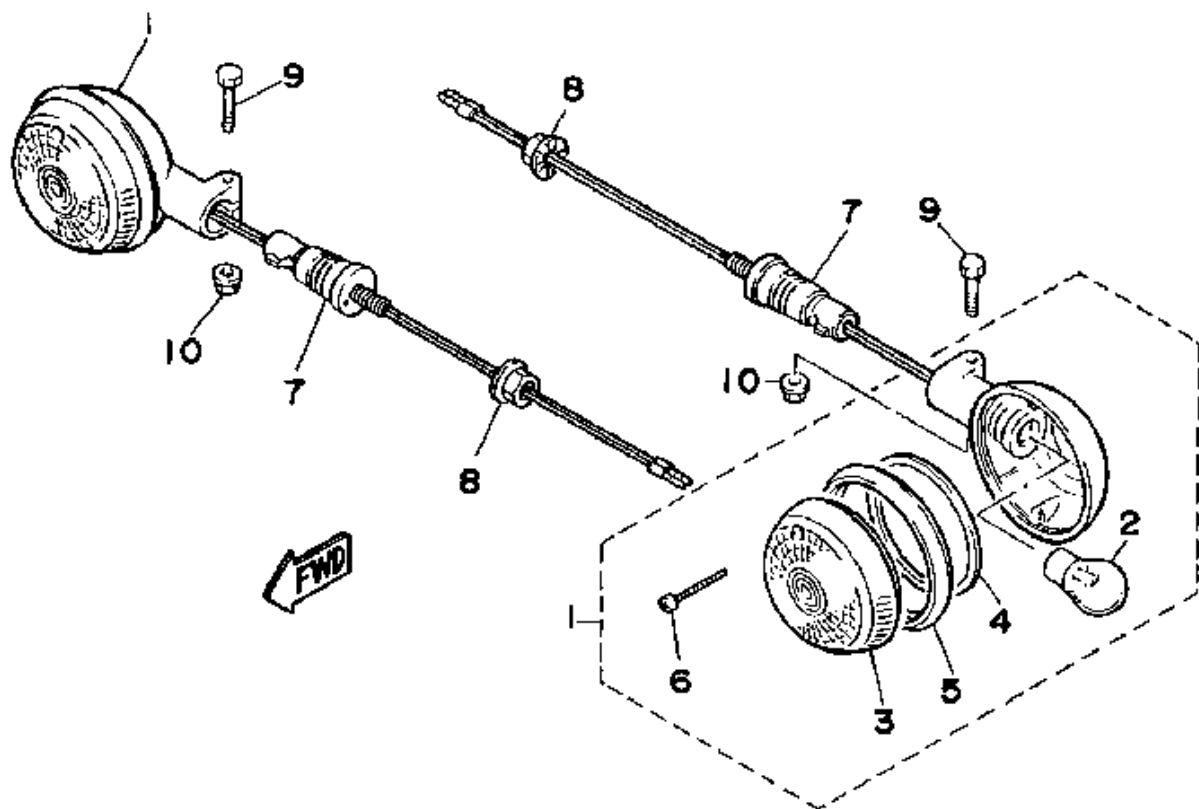
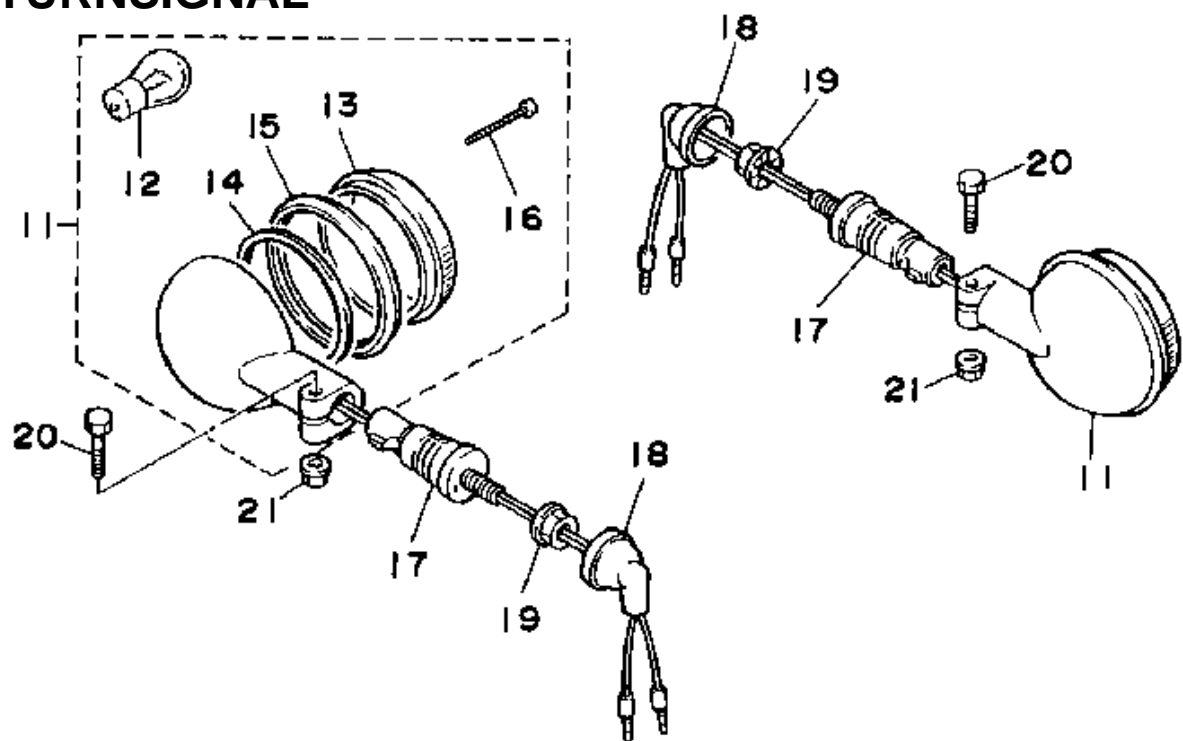
ELECTRICAL 1



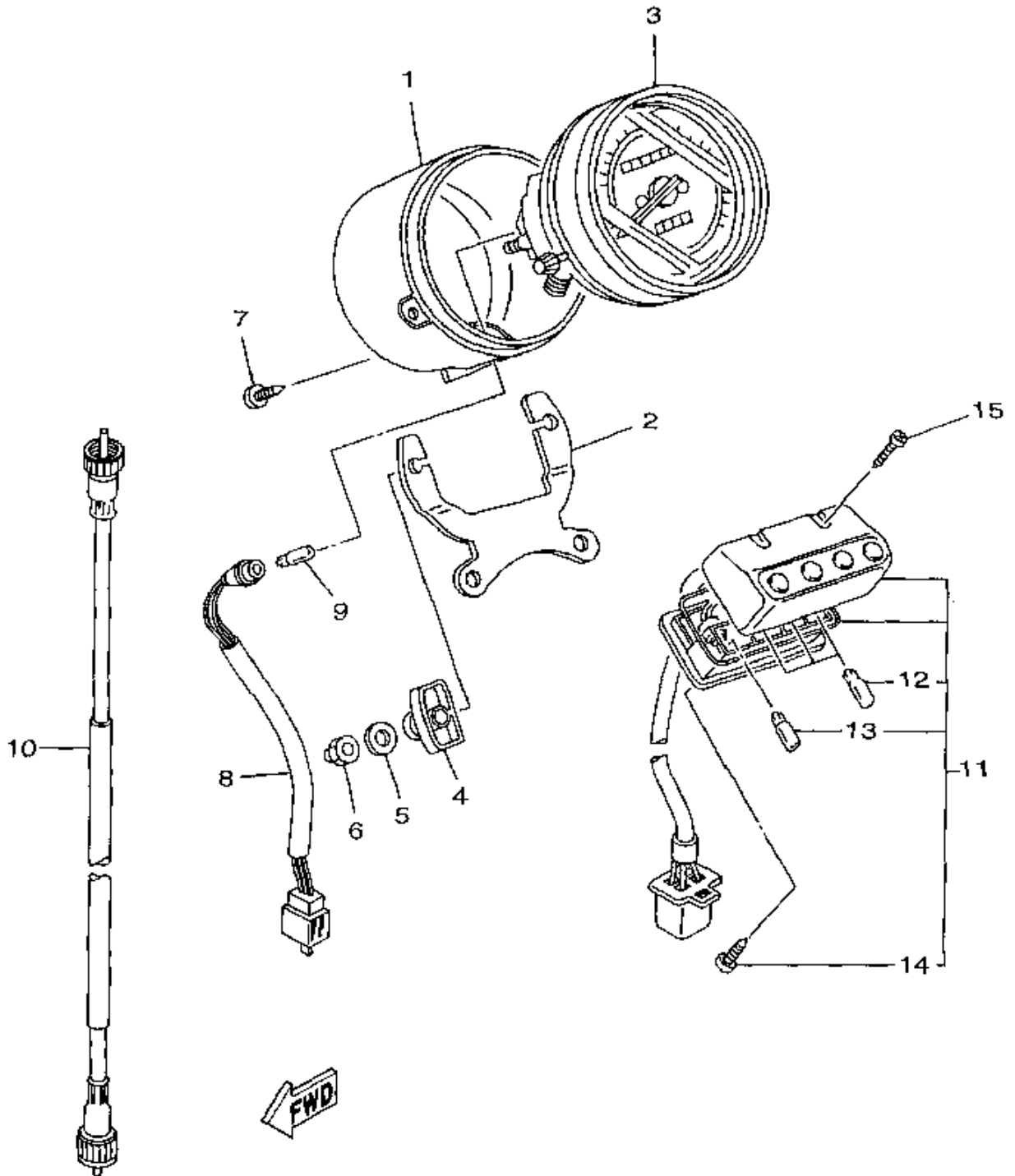
GENERATOR



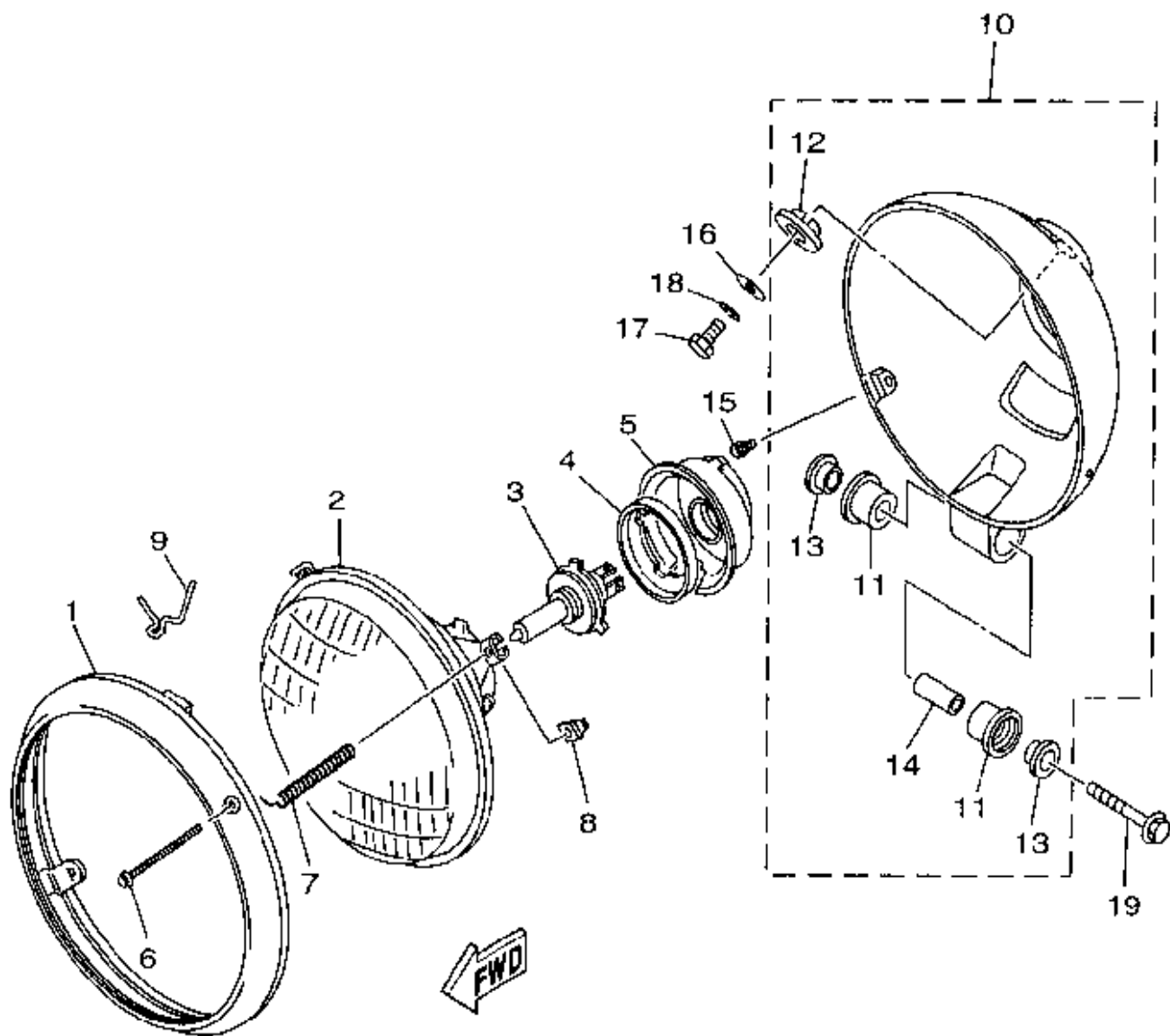
TURN SIGNAL



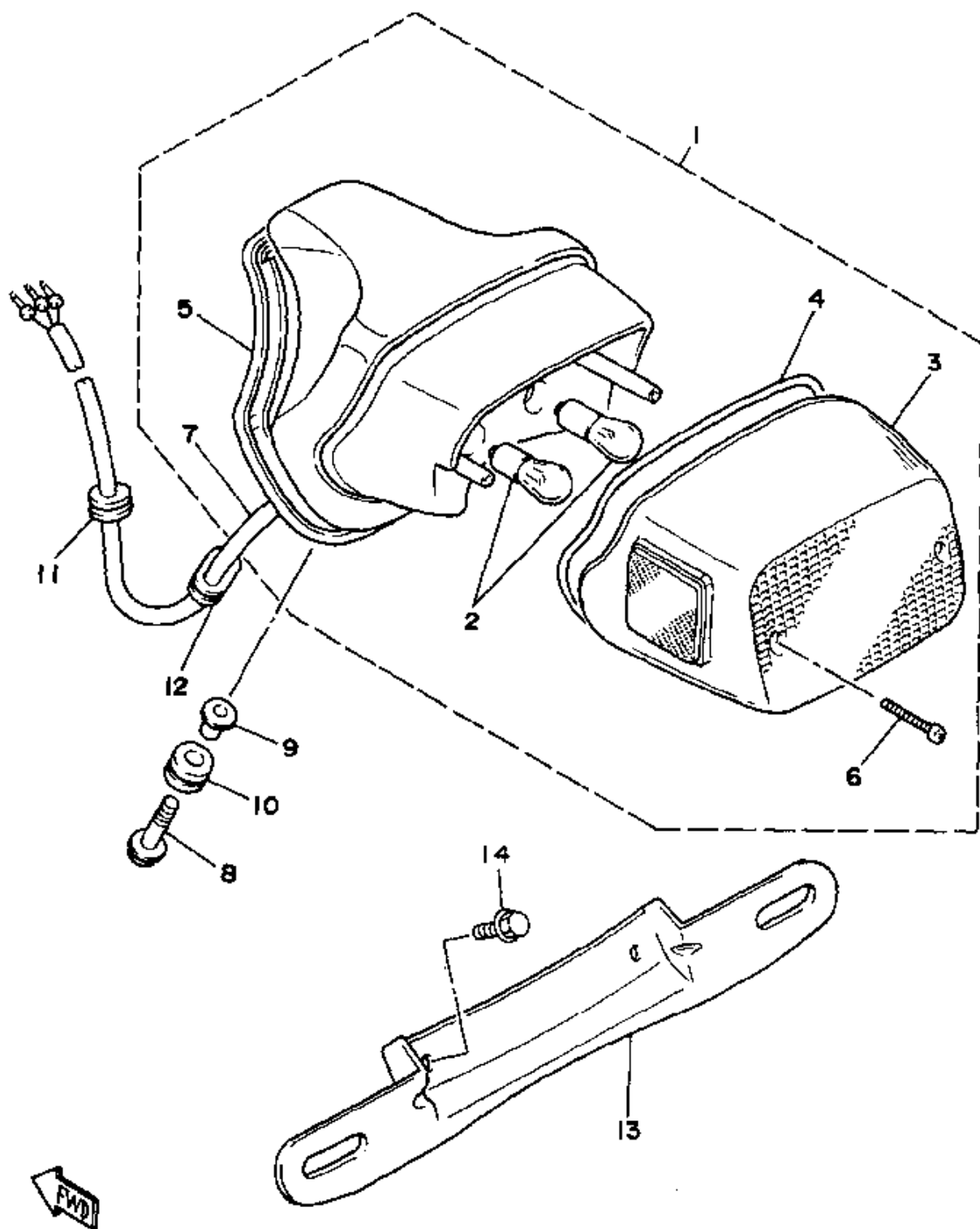
METER



HEADLIGHT



TAIL LIGHT



HANDLE SWITCH - LIVER

