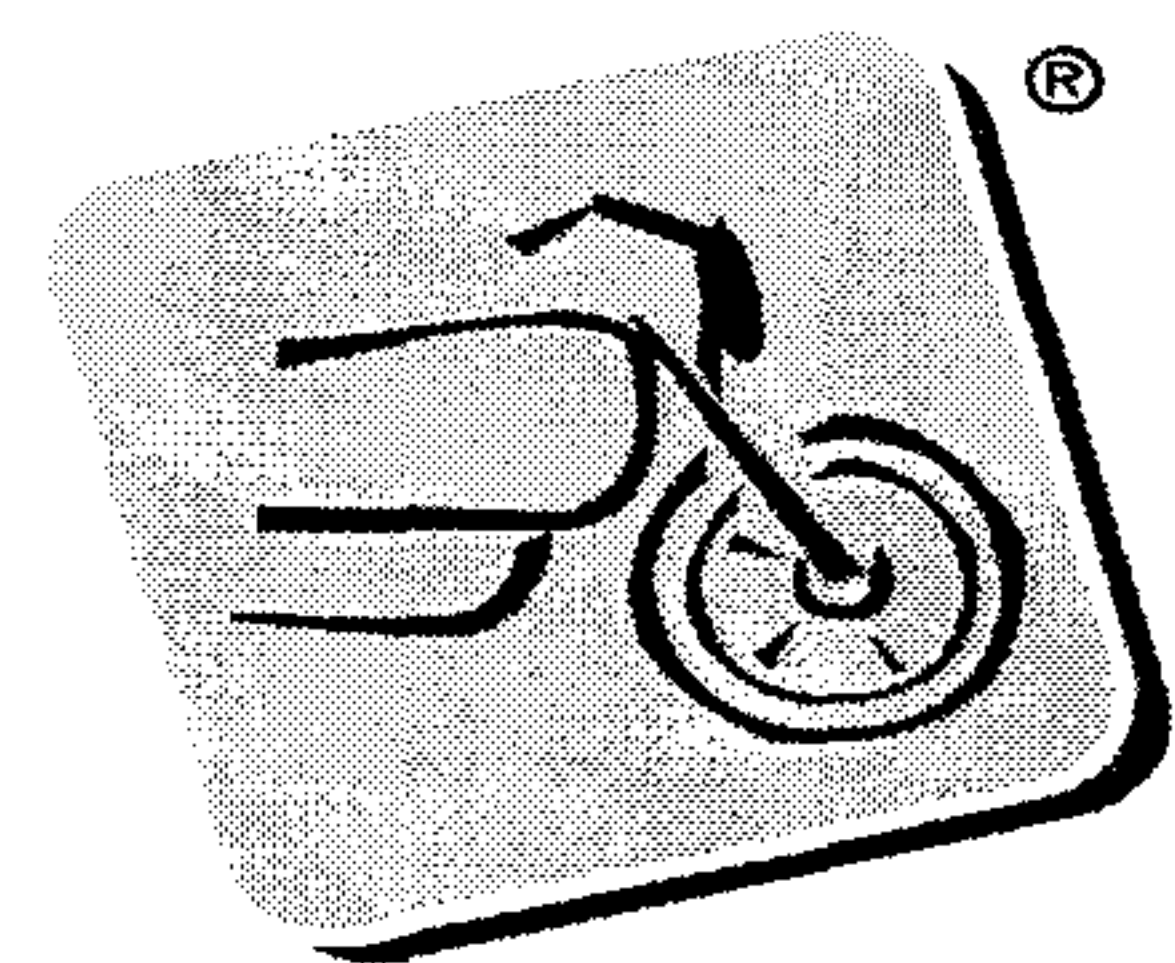


DAKAR 200

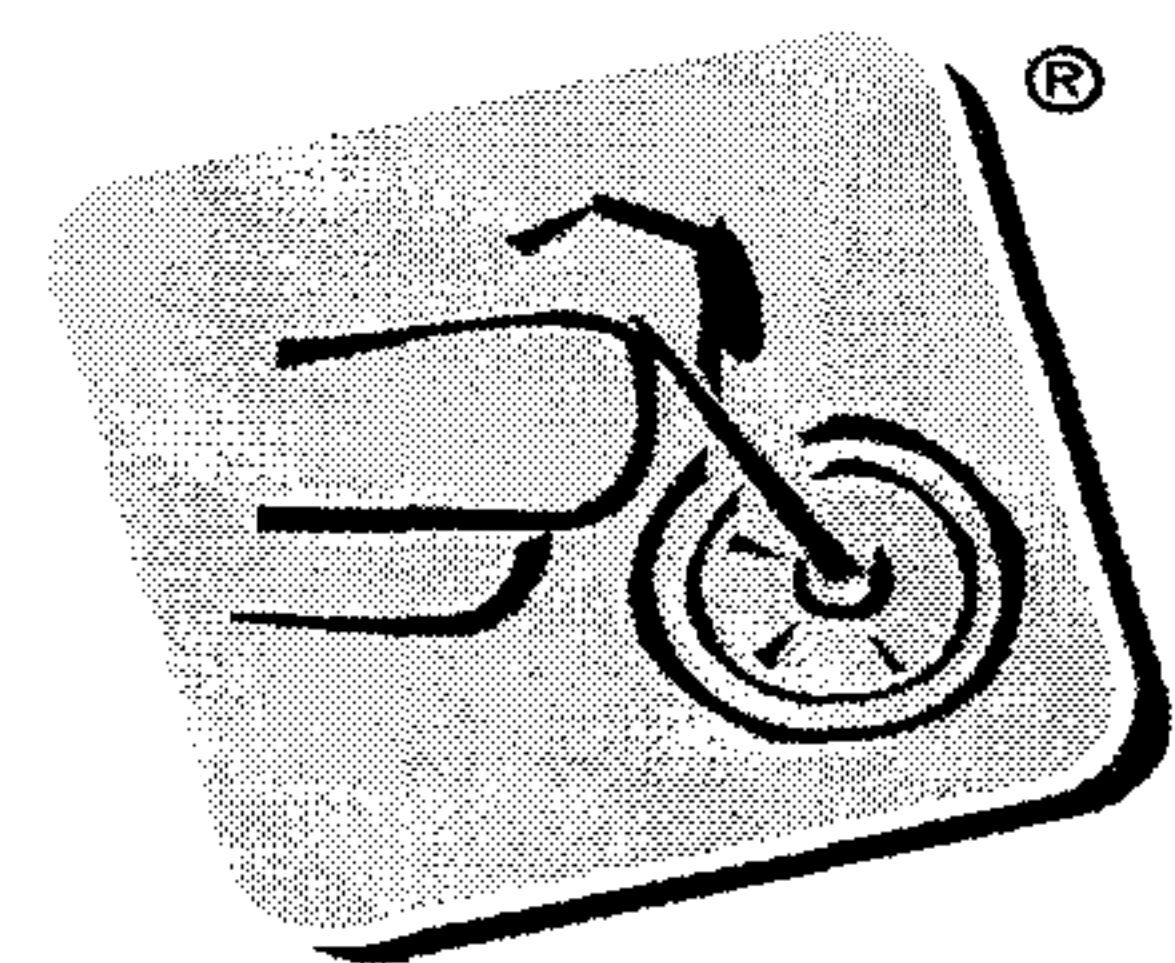
YUMBO



MASESA
Motos de trabajo

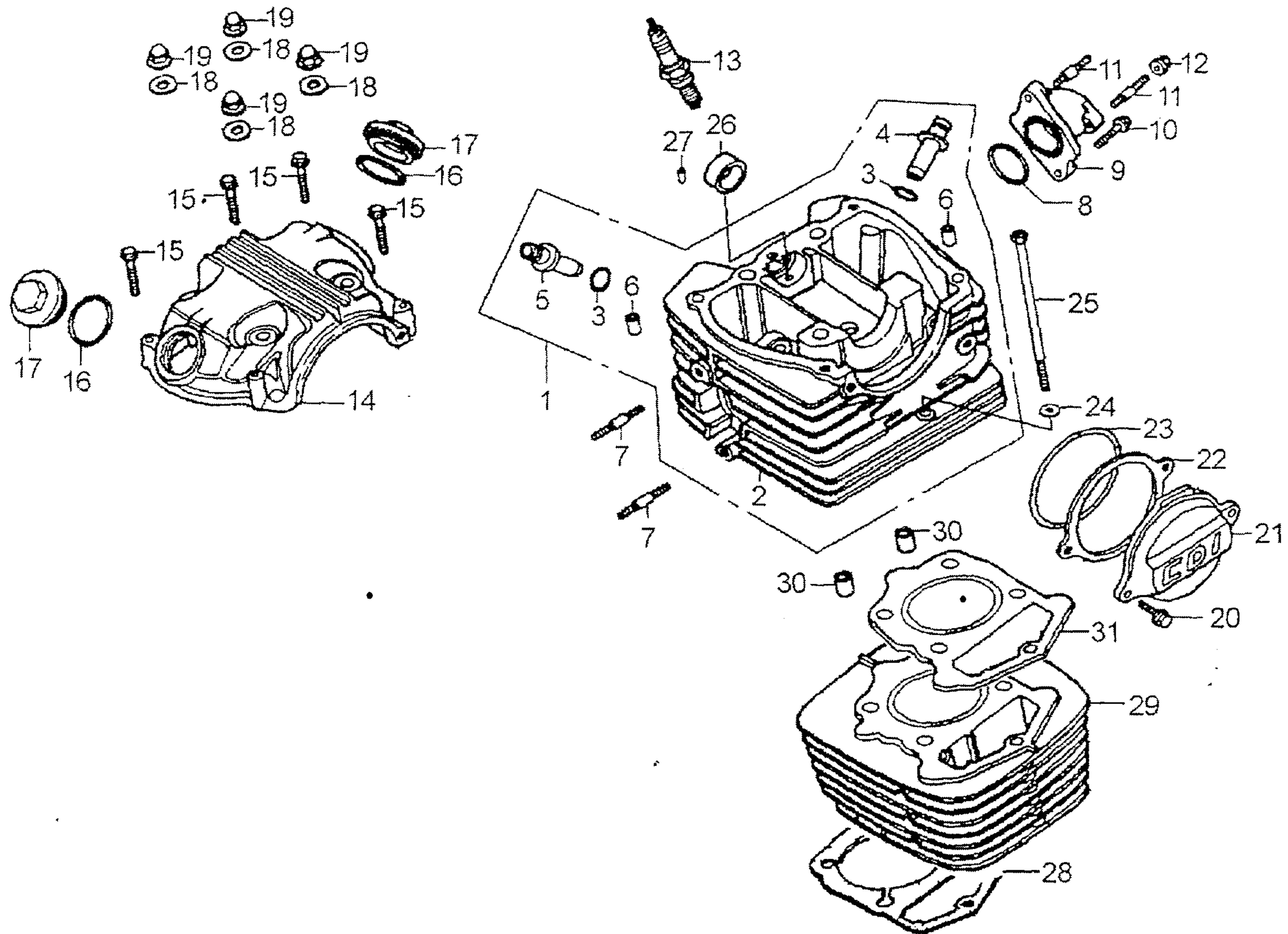
DAKAR 200

YUMBO



MASESA

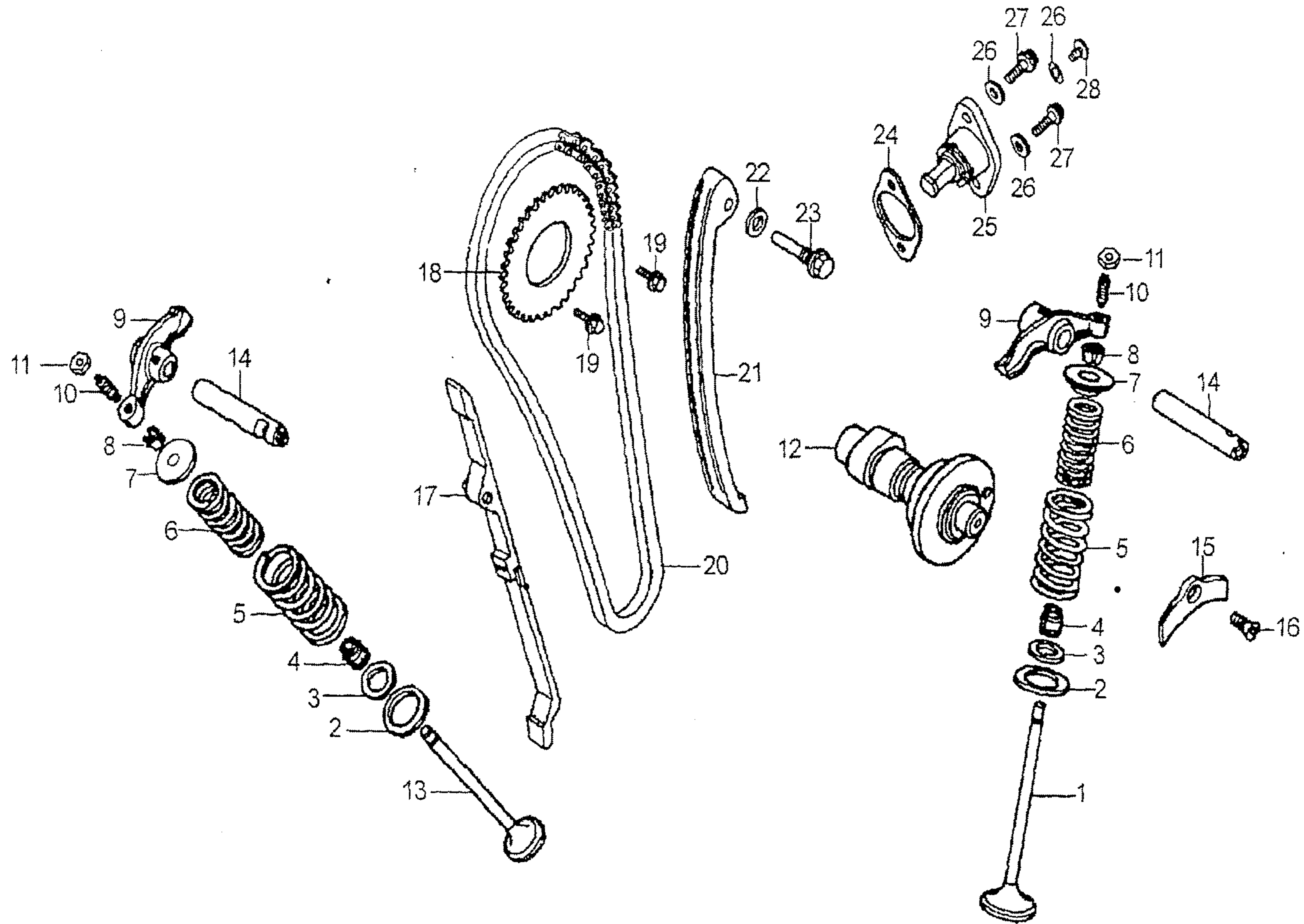
Motos de trabajo



CYLINDER ASSY

CYLINDER ASSY

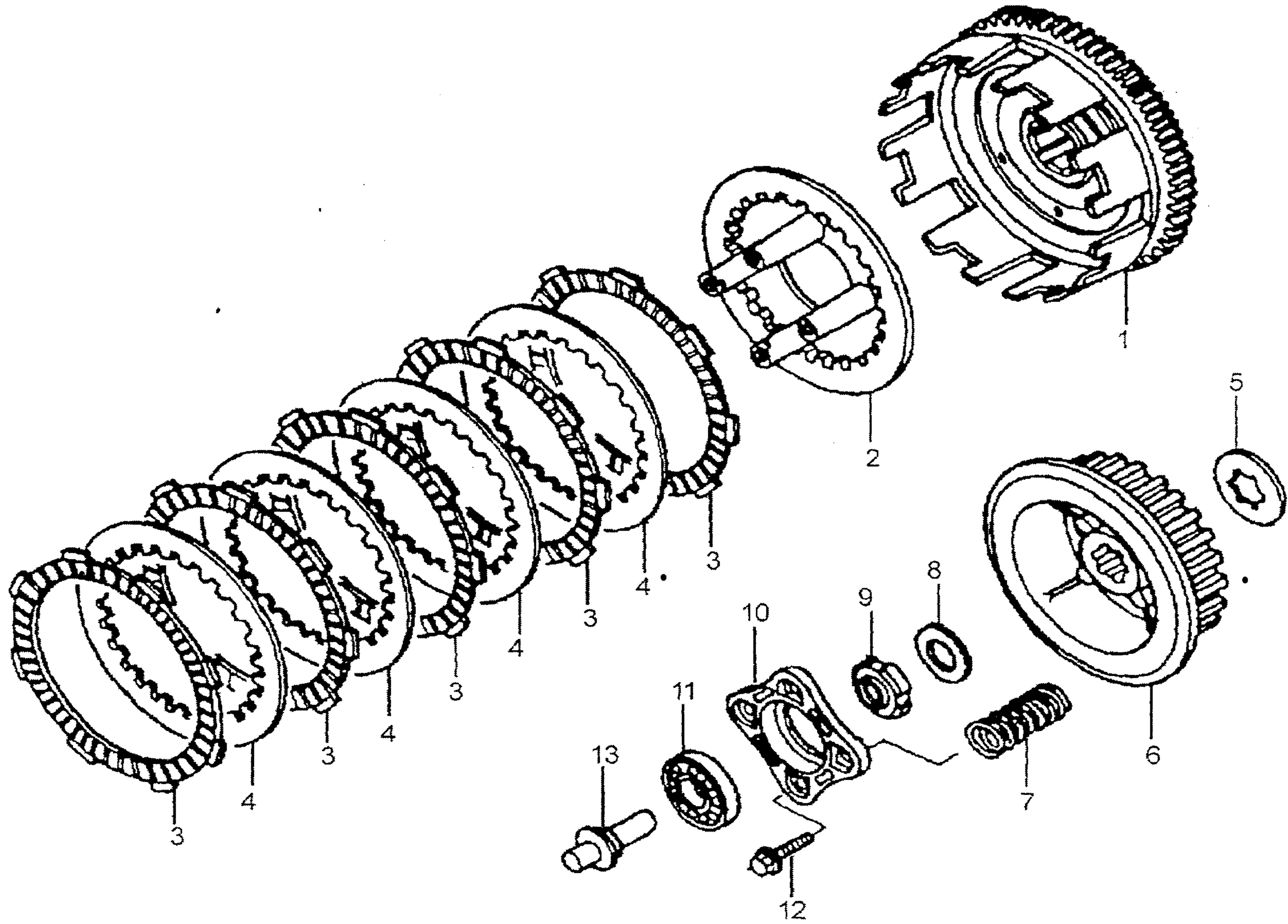
| No. | Codigo MASESA | Part No. | Description | Descripcion MASESA | Qty |
|-----|---------------|-------------------|---------------------------|-----------------------------|-----|
| 1 | 200DK01-01 | 1122B-L044-000082 | CYLINDER HEAD ASSY | CULATA COMPLETA | 1 |
| 2 | 200DK01-02 | 11221-I006-000082 | CYLINDER HEAD | CULATA | 1 |
| 3 | 200DK01-03 | 90119-I006-0000 | O-RING 9x1.5 | ORING 9 X 1.5 | 2 |
| 4 | 200DK01-04 | 11224-I006-0000 | IN.VALVE GUIDE | GUIA VALVULA DE ADMISION | 1 |
| 5 | 200DK01-05 | 11225-I006-0000 | EX.GUIDE | GUIA VALVULA DE ESCAPE | 1 |
| 6 | 200DK01-06 | 91502-I006-0000 | POSITION PIN 8x14 | GUIA DE CILINDRO | 2 |
| 7 | 200DK01-07 | GB/T900-1988 | STUD M6x25 | ESPARRAGO DE CILINDRO | 2 |
| 8 | 200DK01-08 | 90123-I006-0000 | O-RING 33.5x3 | O-RING 33.5x3 | 1 |
| 9 | 200DK01-09 | 1581A-L044-0000 | INTAKE PIPE COMP | MANIFUL | 1 |
| 10 | 200DK01-10 | GB/T16674-1996 | BOLT M6x22 | TORNILLO | 2 |
| 11 | 200DK01-11 | GB/T899-1988 | STUD M6x20 | ESPARRAGO DE MANIFULL | 2 |
| 12 | 200DK01-12 | GB/T6170-1986 | NUT M6 | TUERCA DE ESPARRAGO | 2 |
| 13 | 200DK01-13 | 8130A-I006-0000 | SPARK PLUG COMP. | CANDELA | 1 |
| 14 | 200DK01-14 | 11226-L044-000082 | UPPER COVER,CYLINDER HEAD | TAPADERA DE CULATA | 1 |
| 15 | 200DK01-15 | GB/T16674-1996 | BOLT M6x35 | TORNILLO TAPADERA DE CULATA | 4 |
| 16 | 200DK01-16 | 90104-I006-0000 | O-RING 35x3 | ORING | 2 |
| 17 | 200DK01-17 | 11229-I066-00000G | CAP , TAPPET ADJUST HOLE | TAPADERA DE BALANCINES | 2 |
| 18 | 200DK01-18 | GB/T96-1985 | WASHER 8 | WASHA | 4 |
| 19 | 200DK01-19 | 91201-I066-00000G | NUT M8 | TUERCA DE ESPARRAGO | 4 |
| 20 | 200DK01-20 | GB/T5878-1988 | BOLT M6x25 | TORNILLO | 2 |
| 21 | 200DK01-21 | 11227-I006-00000G | L.COVER, CYLINDER HEAD | TAPADERA CDI | 1 |
| 22 | 200DK01-22 | 90202-I006-0000 | GASKET | EMPAQUE TAPADERA CDI | 1 |
| 23 | 200DK01-23 | 90124-I006-0000 | O-RING 75x2.5 | ORING DE TAPA DE CDI | 1 |
| 24 | 200DK01-24 | GB/T848-1985 | WASHER 6 | WASHA | 1 |
| 25 | 200DK01-25 | 91113-L044-00000H | BOLT M6x110 | ESPARRAGO DE CULATA | 1 |
| 26 | 200DK01-26 | 92101-I006-0000 | SLIDING BEARING | BUSHING DE CIGUEÑAL | 1 |
| 27 | 200DK01-27 | 91506-I006-0000 | POSITION PIN | PIN BUSHING EJE DE LEVAS | 1 |
| 28 | 200DK01-28 | 90205-L044-0000 | GASKET,CYLINDER | EMPAQUE DE CILINDRO | 1 |
| 29 | 200DK01-29 | 1110B-L044-000082 | BODY, CYLINDER ASSY | CILINDRO | 1 |
| 30 | 200DK01-30 | 91502-I006-0000 | POSITION PIN 8x14 | GUIAS EMPAQUE DE CILINDRO | 2 |
| 31 | 200DK01-31 | 90204-L044-0000 | GASKET,CYLINDER HEAD | EMPAQUE DE CULATA | 1 |



VALVE MECHANISM

VALVE MECHANISM

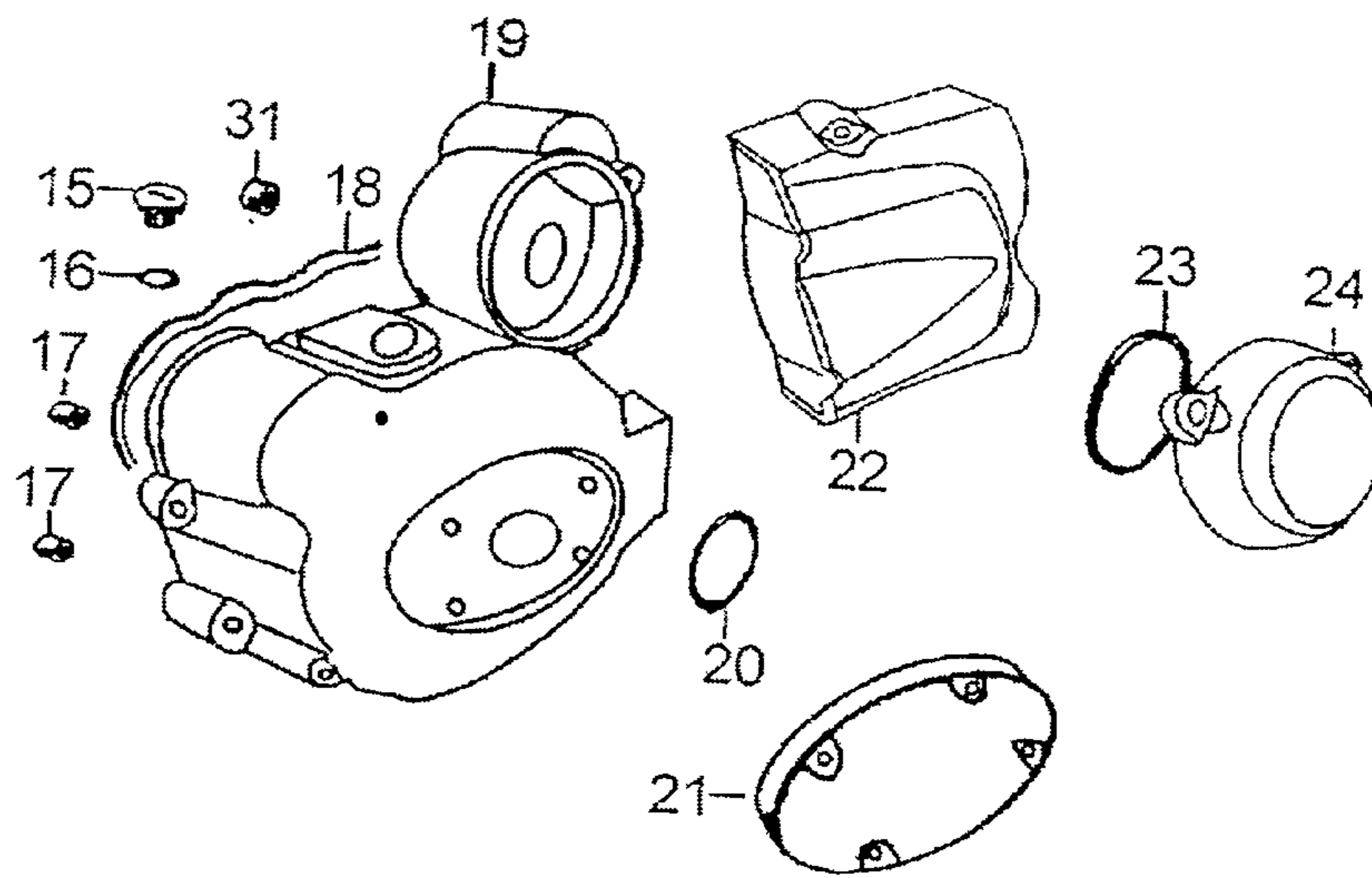
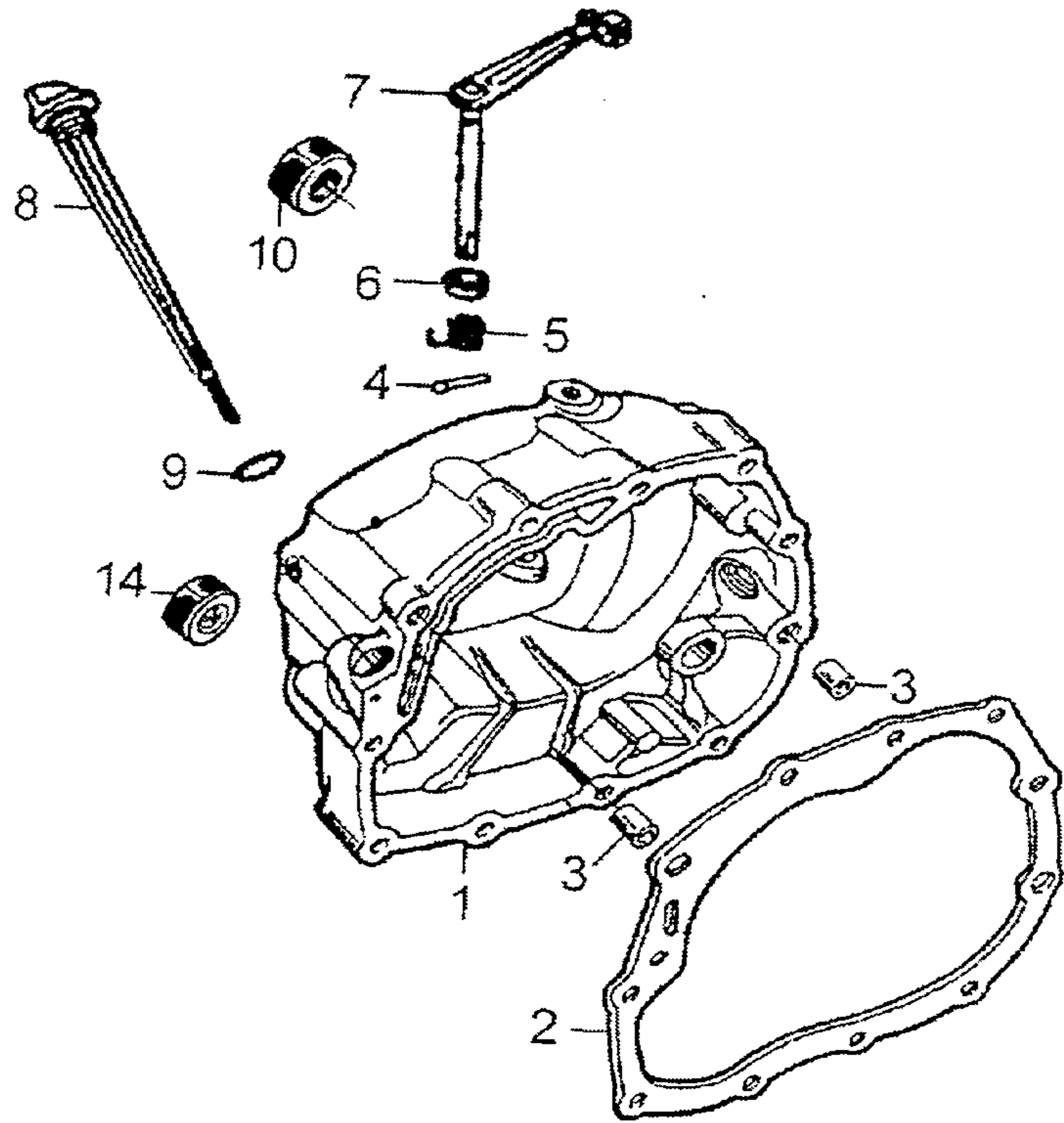
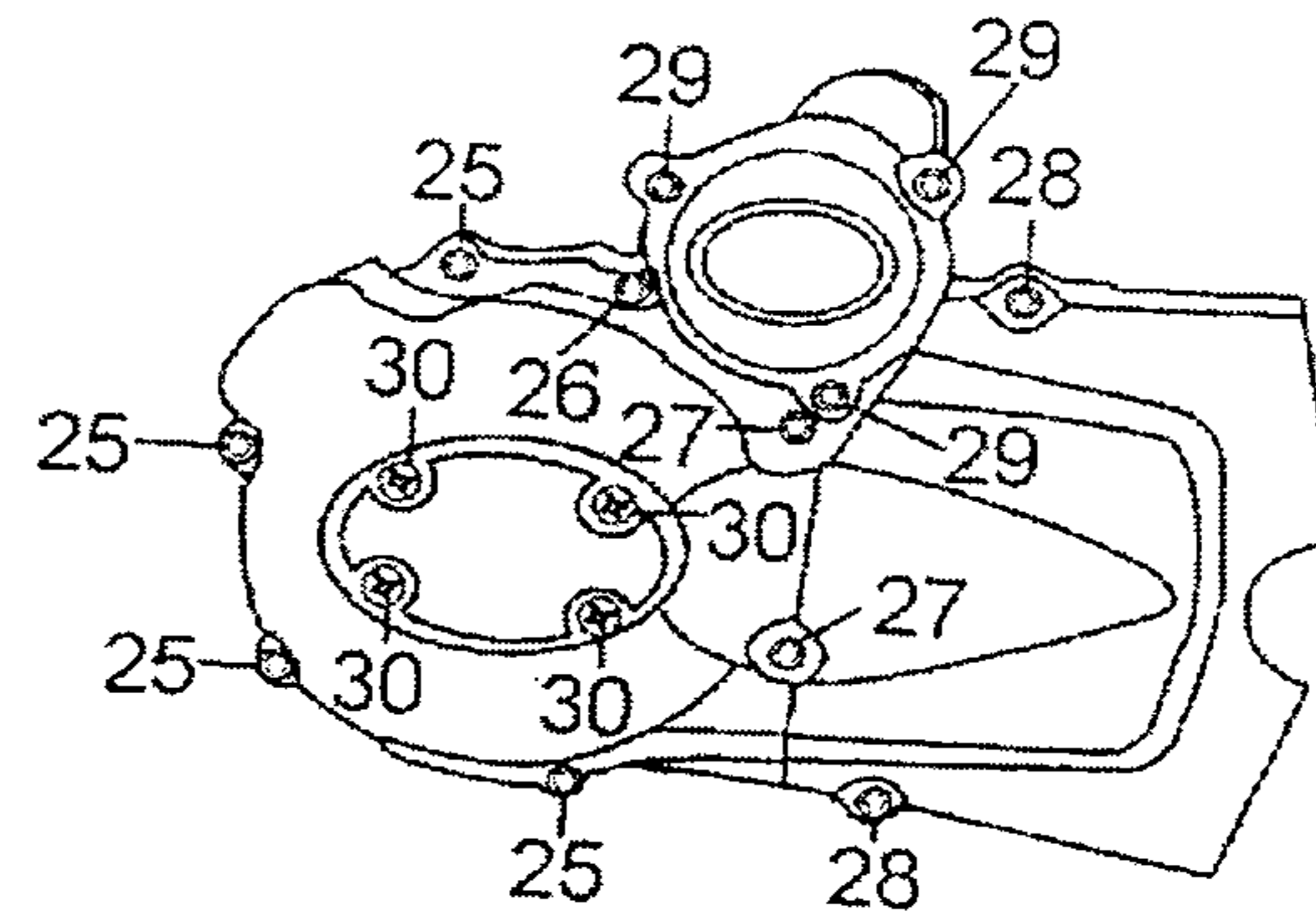
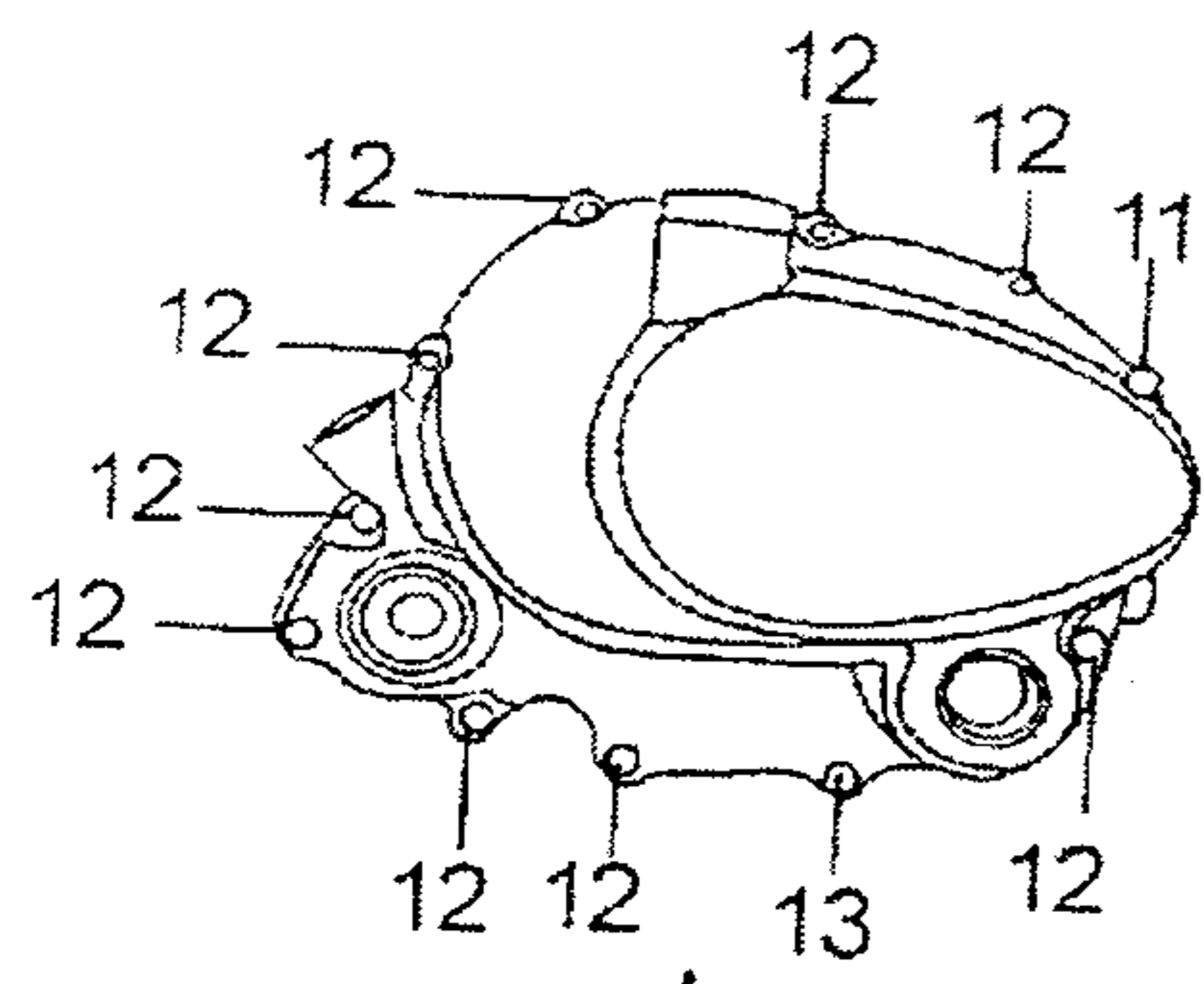
| No. | Codigo MASESA | Part No. | Description | Descripcion MASESA | Qty |
|-----|---------------|-------------------|-------------------------------|---------------------------|-----|
| 1 | 200DK02-01 | 15701-I006-0000 | VALVE,IN. | VALVULA DE ADMISION | 1 |
| 2 | 200DK02-02 | 15706-I006-0000 | SEAT,VALVE SPRING OUTER | ASCIENTO DE VALVULA I | 2 |
| 3 | 200DK02-03 | 15708-I006-0000 | SEAT,VALVE SPRING INNER | ASCIENTO DE VALVULA II | 2 |
| 4 | 200DK02-04 | 1572B-I008-0000 | SEAL,VALVE STEM | SELLOS DE VALVULA | 2 |
| 5 | 200DK02-05 | 15703-I006-0000 | SPRING,VALVE OUTER | RESORTE DE ASCIENTO I | 2 |
| 6 | 200DK02-06 | 15704-I006-0000 | SPRING,VALVE INNER | RESORTE DE ASCIENTO II | 2 |
| 7 | 200DK02-07 | 15705-I006-0000 | RETAINER,VALVE SPRING | BASE DE CUÑAS DE VALVULAS | 2 |
| 8 | 200DK02-08 | 15707-I006-0000 | COTTER,VALVE | CUÑAS DE VALVULAS | 4 |
| 9 | 200DK02-09 | 15401-I006-0000 | ARM,VALVE ROCKER | BALANCIN | 2 |
| 10 | 200DK02-10 | 15404-I006-0000 | SCREW,ADJUST | TORNILLO DE GRADUACION | 2 |
| 11 | 200DK02-11 | 15403-I006-0000 | NUT,ADJUST | TUERCA DE GRADUACION | 2 |
| 12 | 200DK02-12 | 15100-L044-0000 | CAMSHAFT COMP. | EJE DE LEVAS | 1 |
| 13 | 200DK02-13 | 15702-I006-0000 | VALVE, EX. | VALVULA DE ESCAPE | 1 |
| 14 | 200DK02-14 | 15402-L044-0000 | SHAFT,VALVE ROCKER | PIN DE BALANCIN | 2 |
| 15 | 200DK02-15 | 15409-I006-0000 | ARMPosition PLATE, ROCKET ARM | PLACA EJE DE LEVAS | 1 |
| 16 | 200DK02-16 | GB/T8191-2000 | SCREW M6×16 | TORNILLO DE PLACA | 1 |
| 17 | 200DK02-17 | 1553A-I006-0000 | GUIDE,CAM CHAIN | TENSOR CADENA DE TIEMPO | 1 |
| 18 | 200DK02-18 | 15301-L044-0000 | TIME DRIVEN SPROCKET | SPROKET DE CADENA | 1 |
| 19 | 200DK02-19 | GB/T701.1-2000 | BOLT M6×10 | TORNILLO | 2 |
| 20 | 200DK02-20 | 1530A-I006-0000 | CAM CHAIN | CADENA DE TIEMPO | 1 |
| 21 | 200DK02-21 | 1552A-I006-0000 | TENSIONER PLATE,CAM CHAIN | GUIA CADENA DE TIEMPO | 1 |
| 22 | 200DK02-22 | GB/T97.1-1985 | WASHER 8 | WASHA | 1 |
| 23 | 200DK02-23 | 91126-1006-00000B | BOLT M6×25 | TORNILLO | 1 |
| 24 | 200DK02-24 | 90213-I006-0000 | GASKET | EMPAQUE TENSOR AUTOMATICO | 1 |
| 25 | 200DK02-25 | 1550B-I006-0000 | TENSIONER | TENSOR DE TIEMPO | 1 |
| 26 | 200DK02-26 | GB/T848-1985 | WASHER 6 | WASHA | 3 |
| 27 | 200DK02-27 | GB/T16674-1996 | BOLT M6×18 | TORNILLO | 2 |
| 28 | 200DK02-28 | GB/T5783-2000 | BOLT M6×10 | TORNILLO | 1 |



CLUTCH

CLUTCH

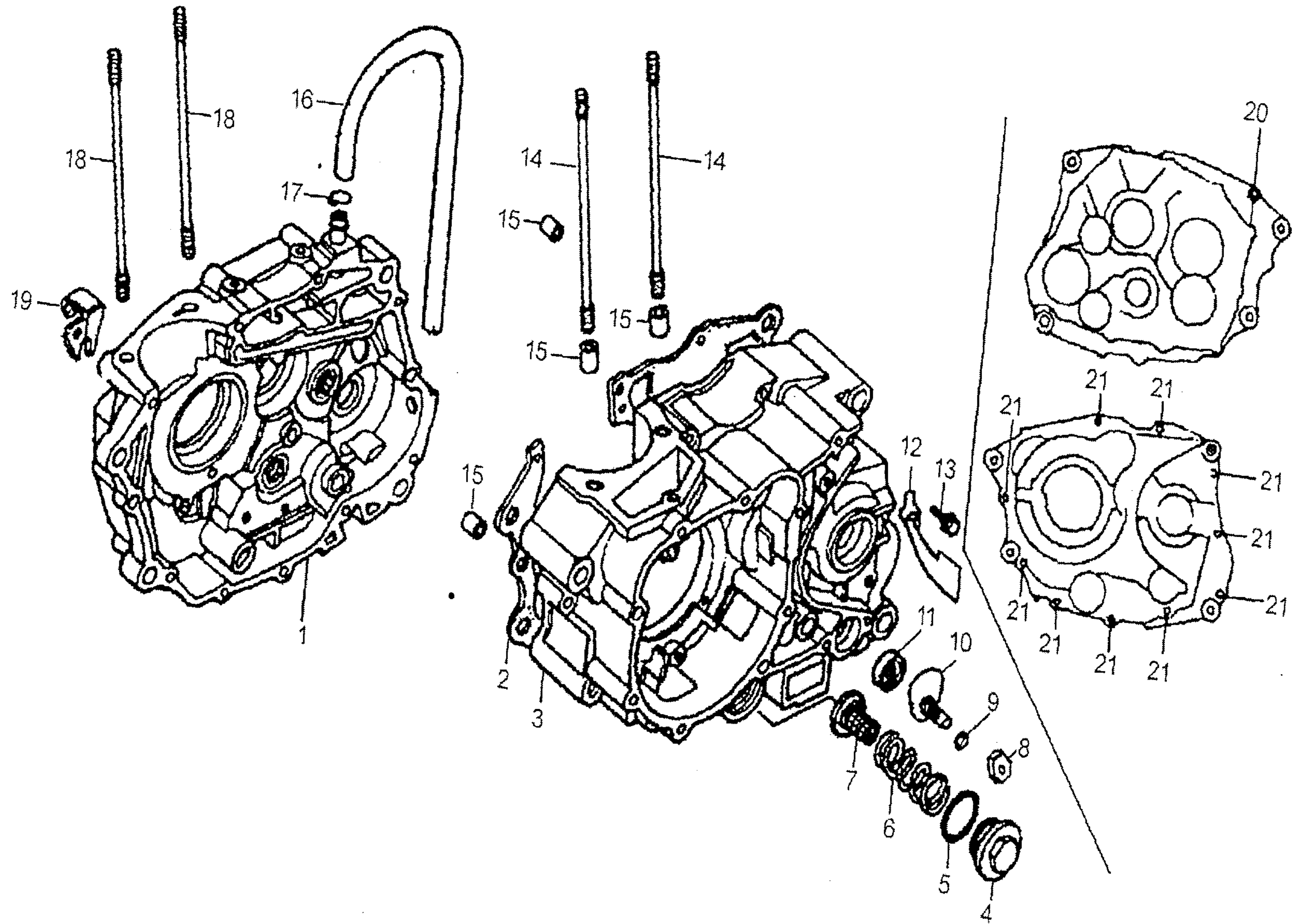
| No. | Codigo MASESA | Part No. | Description | Descripcion MASESA | Qty |
|-----|---------------|-------------------|----------------------------------|--------------------------|-----|
| 1 | 200DK03-01 | 22320-1006-0000 | DISK COMP.,CLUTCH | CANASTA DE CLUTCH | 1 |
| 2 | 200DK03-02 | 22224-1006-000 | DISK,CLUTCH SPRING | BASE DISCOS DE CLUTH | 1 |
| 3 | 200DK03-03 | 2223A-1006-0000 | DRIVE DISK CLUTCH FRICTION comp. | DISCOS DE CLUTCH FIBRA | 5 |
| 4 | 200DK03-04 | 22201-1006-0000 | driven PLATE,CLUTCH | DISCOS DE CLUTCH/METAL | 4 |
| 5 | 200DK03-05 | 91306-1006-0000 | WASHER,SPLINE 20 | WASHA ESTRILLADA | 1 |
| 6 | 200DK03-06 | 2222A-1006-0000 | DRIVEN HUB.,CLUTCH | BASE DISCOS DE CLUTCH | 1 |
| 7 | 200DK03-07 | 22204-1006-00000H | SPRING | RESORTE DE CLUTCH | 4 |
| 8 | 200DK03-08 | 91383-1006-00000H | WASHER 16 | ARANDELA BASE DE DISCO | 1 |
| 9 | 200DK03-09 | 91205-1006-00000H | NUT M16×1.25 | TUERCA DE CLUTCH | 1 |
| 10 | 200DK03-10 | 22203-1006-0000 | CLUTCH END PLATE | ESTRELLA DE CAMBIOS | 1 |
| 11 | 200DK03-11 | GB/T276-1994 | BEARING 16003 | COJINETE DE CLUTCH 16003 | 1 |
| 12 | 200DK03-12 | GB/T16674-1996 | BOLT M6×20 | TORNILLO | 4 |
| 13 | 200DK03-13 | 22403-1006-00007 | LIFTER ROD,CLUTCH | GUIA COJINETE DE CLUTCH | 1 |



CRANKCASE COVER

CRANKCASE COVER

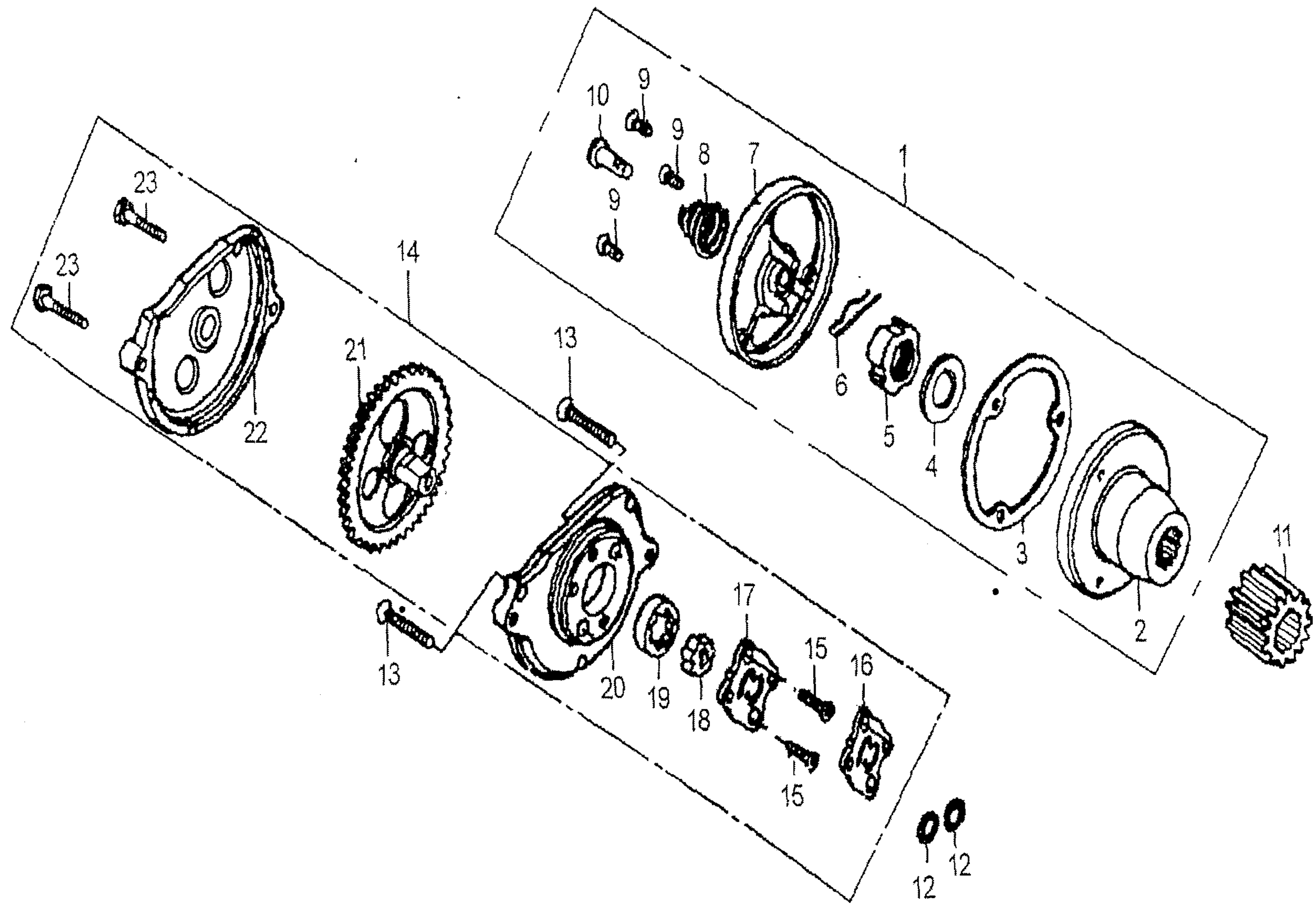
| No. | Codigo MASESA | Part No. | Description | Descripcion MASESA | Qty |
|-----|---------------|-------------------|-------------------------------|-----------------------------|-----|
| 1 | 200DK04-01 | 1242A-I049-830082 | R.CRANKCASE COVER ASSY. | CARTER LADO CLUTCH | 1 |
| 2 | 200DK04-02 | 90207-I006-0000 | GASKET,R.CRANKCASE COVER | EMPAQUE TAPADERA DE CLUTCH | 1 |
| 3 | 200DK04-03 | 91504-I006-0000 | LOCATING PIN 10x14 | GUIA DE CARTER | 2 |
| 4 | 200DK04-04 | GB/T879-2000 | SPLIT PIN 3x10 | PIN | 1 |
| 5 | 200DK04-05 | 22427-I006-0000 | SPRING,CLUTCH LEVER | RESORTE VARILLA DE CLUTCH | 1 |
| 6 | 200DK04-06 | 90306-I006-0000 | OIL SEAL 12x22x5 | RETENEDOR VARILLA DE CLUTCH | 1 |
| 7 | 200DK04-07 | 2242A-I006-0000 | LEVER, CLUTCH COMP. | VARILLA DE CLUTCH | 1 |
| 8 | 200DK04-08 | 14301-I006-0000 | GAUGE,OIL LEVEL | VARILLA NIVEL DE ACEITE | 1 |
| 9 | 200DK04-09 | 90109-I006-0000 | O-RING 18x3 | ORING | 4 |
| 10 | 200DK04-10 | 90305-I006-0000 | OIL SEAL 16x28x7 | RETENEDOR (16 X 28 X 7) | 1 |
| 11 | 200DK04-11 | GB/T820-2000 | SCREW 5x25 | TORNILLO | 1 |
| 12 | 200DK04-12 | GB/T16674-1996 | BOLT 6x30 | TORNILLO | 9 |
| 13 | 200DK04-13 | GB/T16674-1996 | BOLT 6x45 | TORNILLO | 1 |
| 14 | 200DK04-14 | 14310-I006-0000 | VIEW WINGDOW,OIL LEVEL | OJO NIVEL DE ACEITE | 1 |
| 15 | 200DK04-15 | 12303-I006-0000 | SMALL CAP | TAPON DE ACEITE | 1 |
| 16 | 200DK04-16 | 90106-I006-0000 | O-RING 13.8x2.5 | ORING | 1 |
| 17 | 200DK04-17 | 91502-I006-0000 | LOCATING PIN 8x14 | GUIA DE CARTER | 2 |
| 18 | 200DK04-18 | 90206-I006-0000 | GASKET | EMPAQUE DE VOLANTE | 1 |
| 19 | 200DK04-19 | 12301-I006-030082 | F.COVER,L.CRANKCASE | TAPADERA DE VOLANTE | 1 |
| 20 | 200DK04-20 | 90104-I006-0000 | O-RING 27.4x2.4 | ORING | 1 |
| 21 | 200DK04-21 | 12307-I049-03000G | LITTLE COVER | COBERTOR TAPA DE CLUTCH | 1 |
| 22 | 200DK04-22 | 12302-I049-020082 | COVER SPROCKET | TAPADERA DE SPROCKET | 1 |
| 23 | 200DK04-23 | 90113-I006-0000 | ORING 63*3 | ORING | 1 |
| 24 | 200DK04-24 | 12308-I049-0000 | STARTING COVER | TAPADERA DE STARTER | 1 |
| 25 | 200DK04-25 | GB/T16674-1996 | SCREW M6x40 | TORNILLO | 4 |
| 26 | 200DK04-26 | GB/T16674-1996 | SCREW M6x55 | TORNILLO | 1 |
| 27 | 200DK04-27 | GB/T16674-1996 | SCREW M6x60 | TORNILLO | 2 |
| 28 | 200DK04-28 | GB/T16674-1996 | SCREW M6x20 | TORNILLO | 2 |
| 29 | 200DK04-29 | GB/T16674-1996 | SCREW M6x25 | TORNILLO | 3 |
| 30 | 200DK04-30 | GB/T818-2000 | SCREW M6x12 | TORNILLO | 4 |
| 31 | 200DK04-31 | GB/T290-1998 | SMALL NEEDLE BEARING HK101410 | COJINETE DE AGUJAS | 1 |



CRANKCASE

CRANKCASE

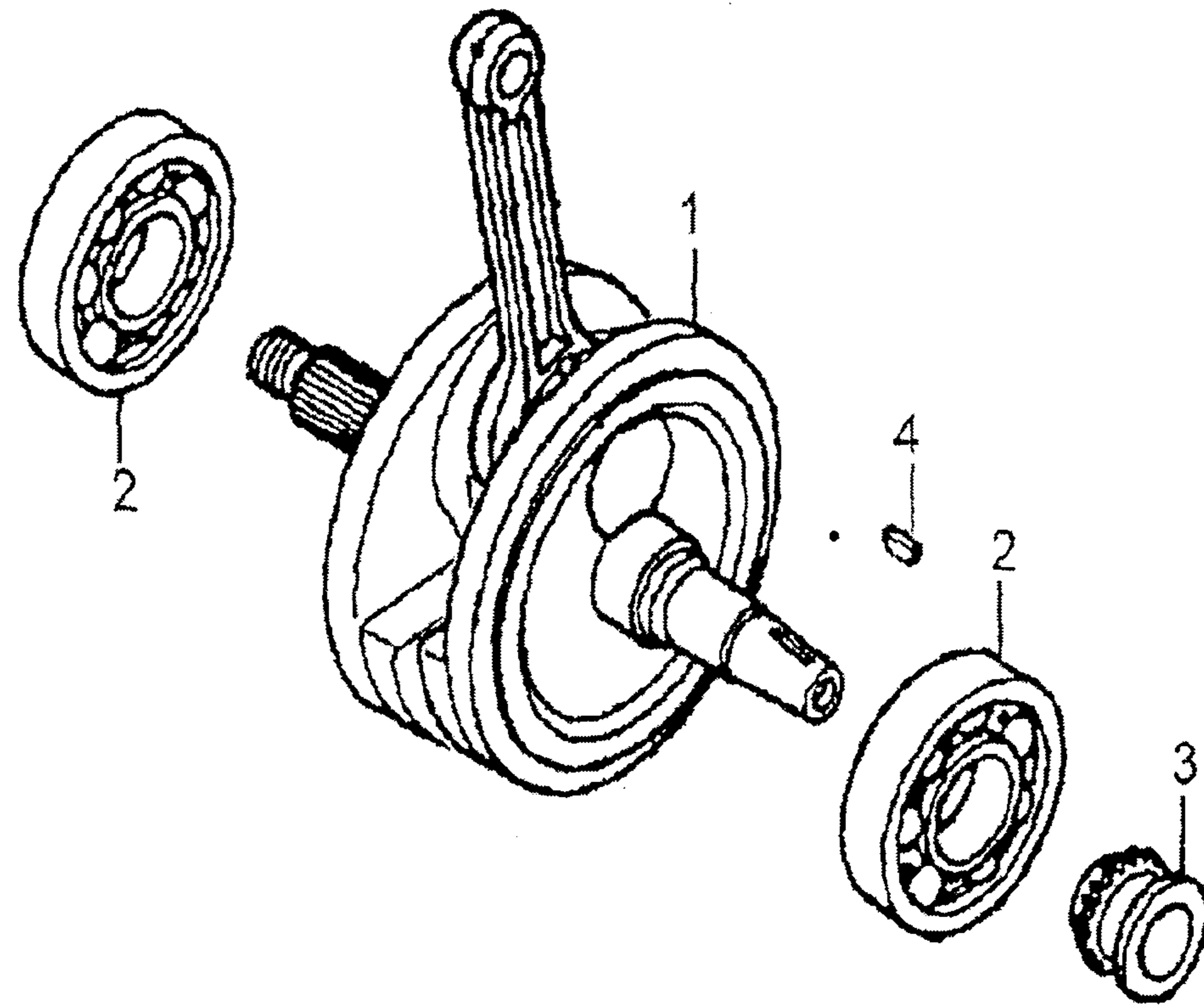
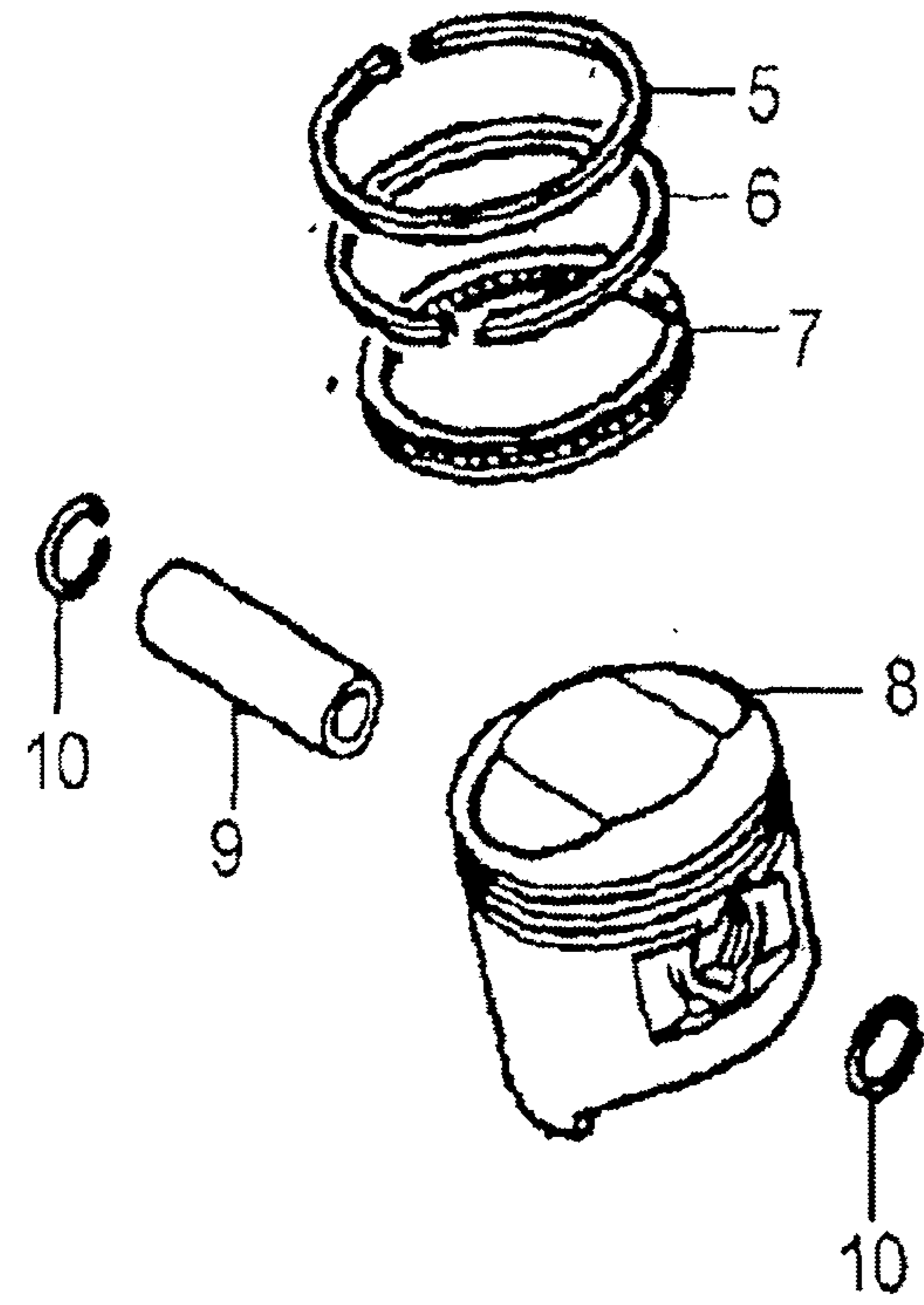
| No. | Codigo MASESA | Part No. | Description | Descripcion MASESA | Qty |
|-----|---------------|-------------------|--------------------|------------------------------------|-----|
| 1 | 200DK05-01 | 1222B-L044-000082 | CRANKCASE COMP.,R. | CARTER RH 200 | 1 |
| 2 | 200DK05-02 | 90208-L044-0000 | GASKET,CRANKCASE | EMPAQUE CENTRO DE MOTOR | 1 |
| 3 | 200DK05-03 | 1212B-L044-000082 | CRANKCASE COMP.,L. | CARTER LH | 1 |
| 4 | 200DK05-04 | 11229-I006-0000 | SCREW CAP | TAPON FILTRO DE ACEITE | 1 |
| 5 | 200DK05-05 | 90112-I006-0000 | O-RING 18x3 | ORING | 1 |
| 6 | 200DK05-06 | 14221-I006-0000 | SPRING | RESORTE | 1 |
| 7 | 200DK05-07 | 1420B-I006-0000 | SCREEN,OIL FILTER | FILTRO DE ACEITE | 1 |
| 8 | 200DK05-08 | GB/T9074.3 | NUT M10 | TUERCA | 1 |
| 9 | 200DK05-09 | 90114-I006-0000 | O-RING 7x1.7 | ORING | 1 |
| 10 | 200DK05-10 | 8802B-I0006-0100 | CONTACT | SWITCH DE NEUTRO | 1 |
| 11 | 200DK05-11 | 90315-I006-0000 | OIL SEAL 14x28x7 | RETENEDOR DE VELOCIDADES 14*28*1,7 | 1 |
| 12 | 200DK05-12 | 12101-I006-0000 | PLATE | PLACA | 1 |
| 13 | 200DK05-13 | GB/T820-2000 | SCREW M5x25 | TORNILLO | 1 |
| 14 | 200DK05-14 | 91102-L044-0000OC | STUD B,CYLINDER | ESPARRAGO DE CARTER | 2 |
| 15 | 200DK05-15 | 91507-I006-0000 | LOCATING PIN 10x20 | GUIA DE CARTER | 4 |
| 16 | 200DK05-16 | 12105-I006-0000 | DRAIN TUBE | TUBO DRENAJE | 1 |
| 17 | 200DK05-17 | 12103-I006-0000 | CIRCLIP | SEGURO | 1 |
| 18 | 200DK05-18 | 91101-L044-00000H | STUD A,CYLINDER | ESPARRAGO DE CARTER | 2 |
| 19 | 200DK05-19 | 22422-L044-0000 | HOLDER,CLUTCH WIRE | SOSTENEDOR | 1 |
| 20 | 200DK05-20 | GB/T16674-1996 | BOLT M6x60 | TORNILLO | 1 |
| 21 | 200DK05-21 | GB/T16674-1996 | BOLT M6x50 | TORNILLO | 1 |



OIL PUMP OIL FILTER

OIL PUMP OIL FILTER

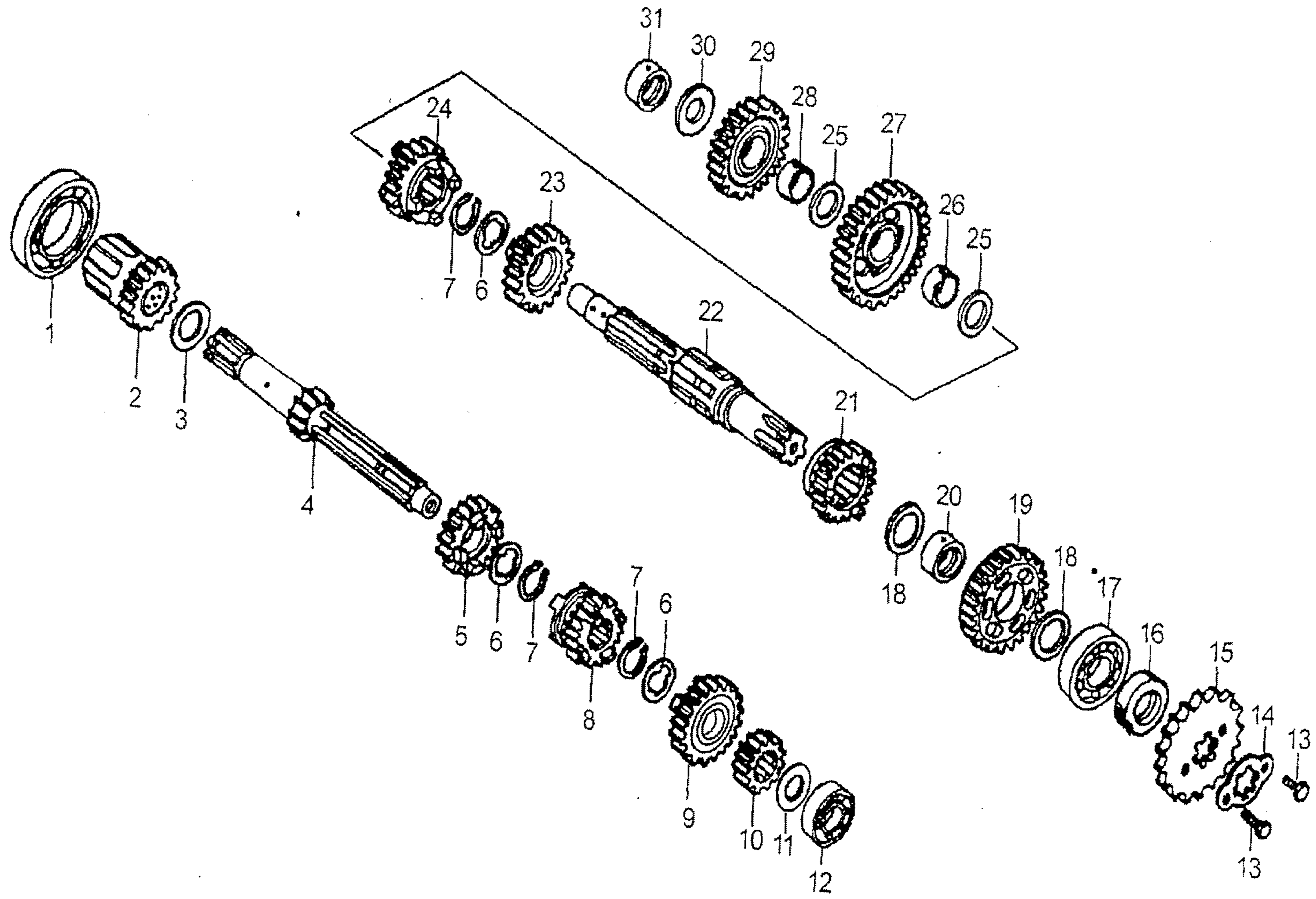
| No. | Codigo MASESA | Part No. | Description | Descripcion MASESA | Qty |
|-----|---------------|-------------------|--------------------------|--------------------------------|-----|
| 1 | 200DK06-01 | 14200-1006-0000 | OIL FILTER COMP. | FILTRO DE ACEITE | 1 |
| 2 | 200DK06-02 | 1421B-1006-0000 | ROTOR, OIL FILTER | ROTOR FILTRO DE ACEITE | 1 |
| 3 | 200DK06-03 | 90218-1006-0000 | GASKET, OIL FILTER COVER | EMPAQUE FILTRO DE ACEITE | 1 |
| 4 | 200DK06-04 | 91342-1006-0000 | WASHER 16 | WASHA | 1 |
| 5 | 200DK06-05 | 91207-1006-00000H | NUT M16 x1.00 | TUERCA | 1 |
| 6 | 200DK06-06 | 14209-1006-00000B | PIN, LOCK 1.5x16 | PIN | 1 |
| 7 | 200DK06-07 | 14208-1006-0000 | COVER, FILTER ROTOR | CUBIERTA ROTOR DE FILTRO | 1 |
| 8 | 200DK06-08 | 14207-1006-0000 | SPRING, OIL GUIDE | RESORTE FILTRO DE ACEITE | 1 |
| 9 | 200DK06-09 | GB/T820-2000 | SCREW M5x12 | TORNILLO | 3 |
| 10 | 200DK06-10 | 14206-1006-0000 | OIL GUIDE | GUIA DE FILTRO | 1 |
| 11 | 200DK06-11 | 23101-1006-0000 | DRIVE GEAR | ENGRANAJE FILTRO DE ACEITE | 1 |
| 12 | 200DK06-12 | 90112-1006-0000 | O-RING 9.4x2.4 | ORING | 2 |
| 13 | 200DK06-13 | GB/T819.1-2000 | SCREW M6x30 | TORNILLO | 2 |
| 14 | 200DK06-14 | 14100-1006-0000 | OIL PUMP COMP. | BOMBA DE LUBRICACION | 1 |
| 15 | 200DK06-15 | GB/T819.1-2000 | SCREW M4x12 | TORNILLO | 2 |
| 16 | 200DK06-16 | 90212-1006-0000 | GASKET, OIL PUMP COVER | EMPAQUE BOMBA DE LUBRICACION | 1 |
| 17 | 200DK06-17 | 14102-1006-0000 | COVER,OIL PUMP | COBERTOR INTERNO | 1 |
| 18 | 200DK06-18 | 14104-1006-0000 | INNER ROTOR, OIL PUMP | ROTOR INTERNO | 1 |
| 19 | 200DK06-19 | 14105-1006-0000 | OUTER ROTOR, OIL PUMP | ROTOR EXTERNO | 1 |
| 20 | 200DK06-20 | 14108-1006-0000 | OIL PUMP BODY | CUERPO DE BOMBA DE LUBRICACION | 1 |
| 21 | 200DK06-21 | 14120-1006-0000 | GEAR , OIL PUMP | ENGRANAJE DE LUBRICACION | 1 |
| 22 | 200DK06-22 | 14113-1006-0000 | COVER,OIL PUMP | TAPADERA BOBMA DE LUBRICACION | 1 |
| 23 | 200DK06-23 | GB/T5782-2000 | GEARBOLT M5x20 | TORNILLO | 2 |



CRANKSHAFT/PISTON

CRANKSHAFT/PISTON

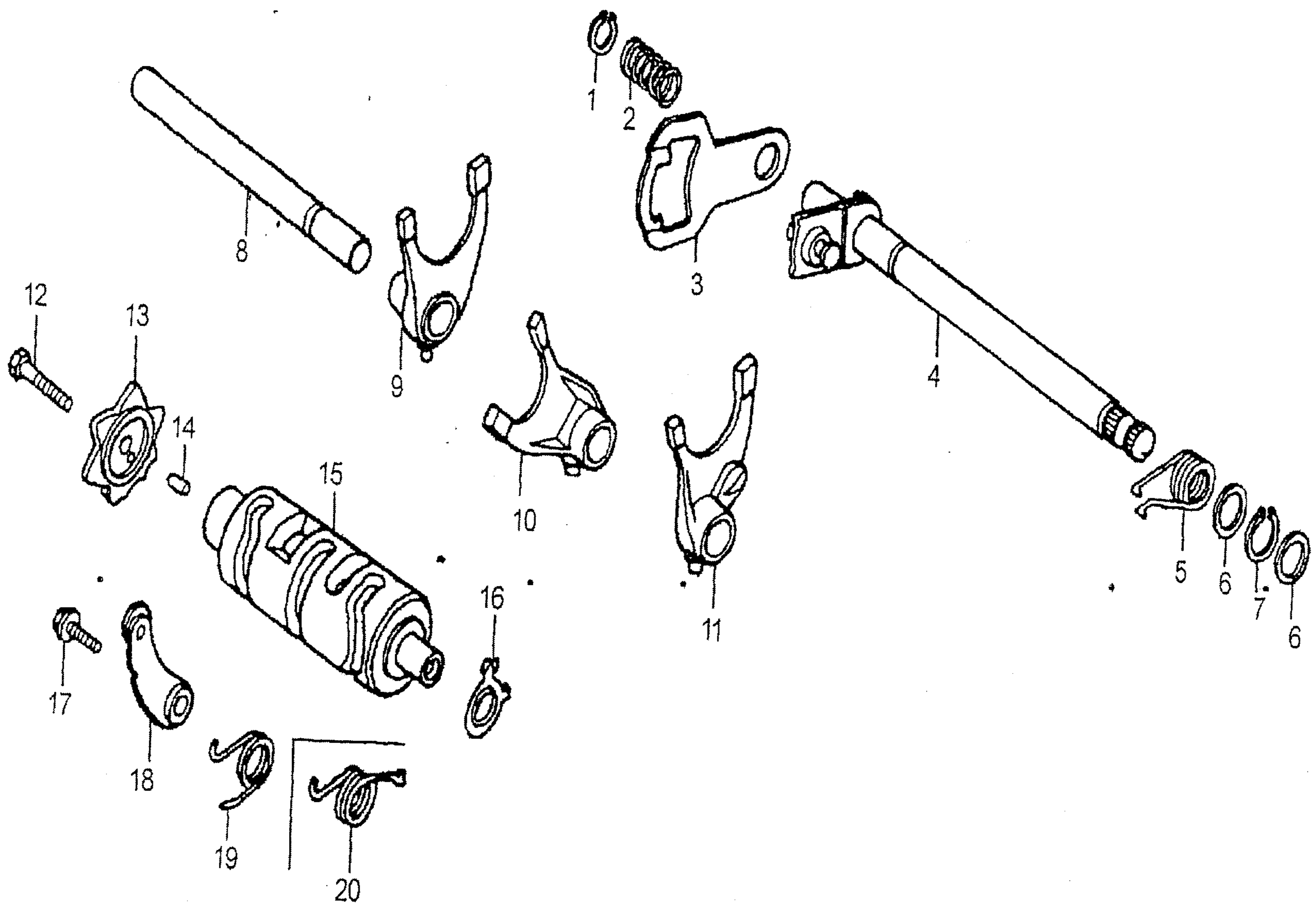
| No. | Codigo MASESA | Part No. | Description | Descripcion MASESA | Qty |
|-----|---------------|-----------------|----------------------------------|---------------------|-----|
| 1 | 200DK07-01 | 1320B-L044-0000 | CONNECTING ROD, CRANKSHAFT COMP. | CIGUEÑAL 200 CC | 1 |
| 2 | 200DK07-02 | GB/T276-1994 | BEARING 63/28 | COJINETE 63/28 | 2 |
| 3 | 200DK07-03 | 15301-L044-0000 | TIMING DRIVE SPROCKET | ENGRANAJE DE TIEMPO | 1 |
| 4 | 200DK07-04 | 91601-L044-0000 | SEMICIRCLE KEY25×4×14 | CUÑA DE CIGUEÑAL | 1 |
| 5 | 200DK07-05 | 13103-L044-0000 | PISTON RING I | ANILLO | 1 |
| 6 | 200DK07-06 | 13104-L044-0000 | PISTON RING II | ANILLO | 1 |
| 7 | 200DK07-07 | 13120-L044-0000 | OIL RING COMP. | ANILLO | 1 |
| 8 | 200DK07-08 | 13101-L044-0000 | PISTON | PISTON STANDARD | 1 |
| 9 | 200DK07-09 | 13102-L044-0000 | PISTON PIN | PASADOR DE PISTON | 1 |
| 10 | 200DK07-10 | 91401-L044-0000 | CIRCLIP, PISTON PIN 15 | SEGURO DE PASADOR | 2 |



TRANSMISSION

TRANSMISSION

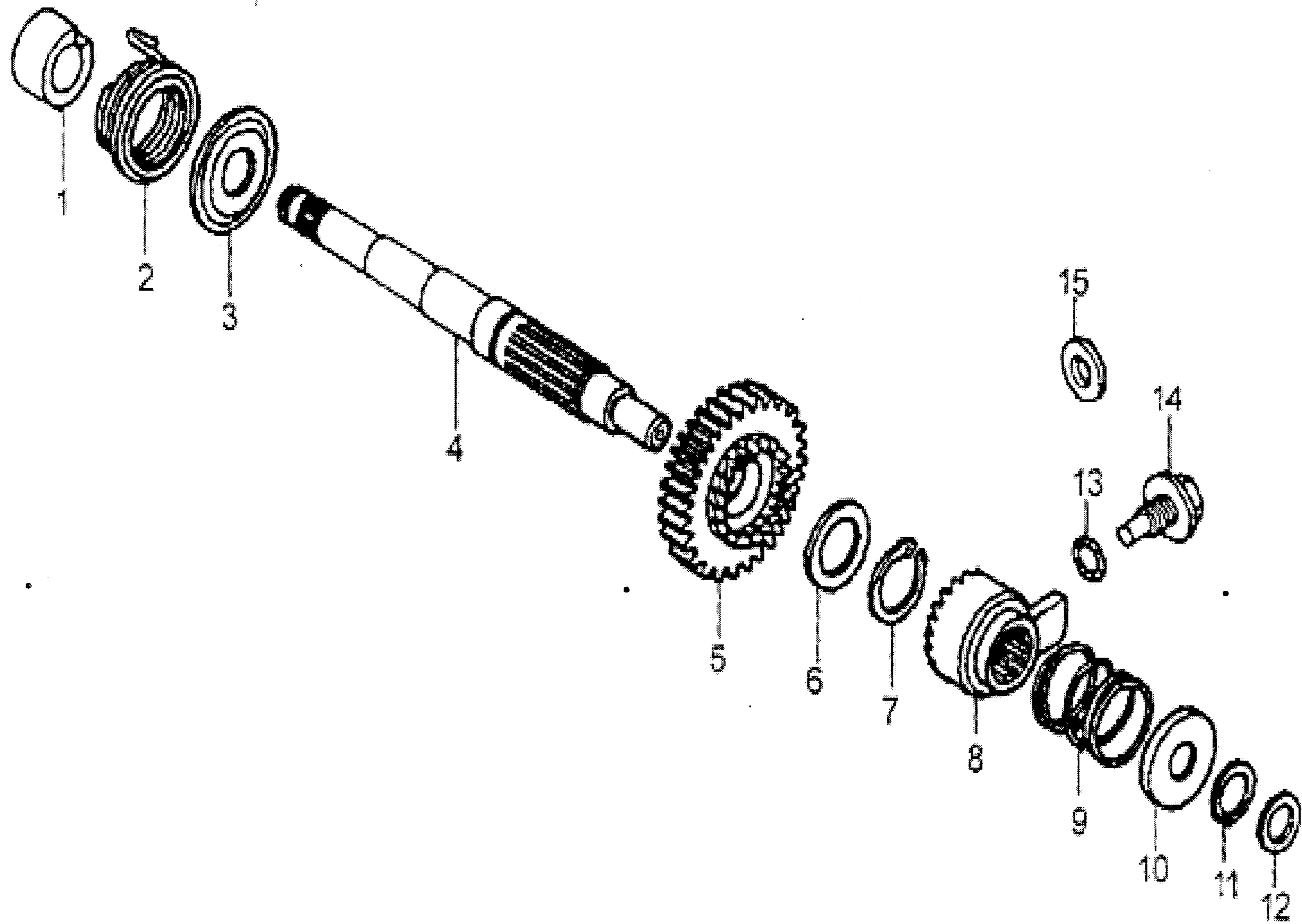
| No. | Codigo MASESA | Part No. | Description | Descripcion MASESA | Qty |
|-----|---------------|------------------|-------------------------------|--------------------------------|-----|
| 1 | 200DK08-01 | GB/T276-1994 | BEARING 6006 | COJIENTE 6006 | 1 |
| 2 | 200DK08-02 | 2323A-I006-0000 | STARTING GEAR,MAIN SHAFT | ENGRANAJE | 1 |
| 3 | 200DK08-03 | 23228-I006-0000 | WASHER,THRUST 20 | WASHA | 1 |
| 4 | 200DK08-04 | 23221-I006-0000 | MAIN SHAFT | EJE DE TRANSMISION | 1 |
| 5 | 200DK08-05 | 23223-I006-0000 | 3RD MAIN SHAFT | ENGRANAJE DE 3RA, | 1 |
| 6 | 200DK08-06 | 23254-I006-0000 | WASHER,SPLINE 20 | WASHA PLANA | 3 |
| 7 | 200DK08-07 | GB/T849.1-1986 | CIRLIP 20 | SEGURO | 3 |
| 8 | 200DK08-08 | 23224-I006-0000 | 4TH MAIN SHAFT | ENGRANAJE | 1 |
| 9 | 200DK08-09 | 23225-I006-0000 | 5TH MAIN SHAFT | ENGRANAJE | 1 |
| 10 | 200DK08-10 | 23222-I066-0000 | 2ND MAIN SHAFT | ENGRANAJE DE 2DA. | 1 |
| 11 | 200DK08-11 | 23226-I006-0000 | WASHER 15 | WASHER | 1 |
| 12 | 200DK08-12 | GB/T276-1996 | BEARING 6202 | COJINETE 6202 | 1 |
| 13 | 200DK08-13 | GB/T5783-2000 | BOLT M6×10 | TORNILLO ESPROCKET DELANTERO | 2 |
| 14 | 200DK08-14 | 23402-I006-0000 | FIXING PLATE | SEGURO DE ESPROCKET | 1 |
| 15 | 200DK08-15 | 23401-I006-0000 | SPROCKET , DRIVE | ESPROCKET DELANTERO | 1 |
| 16 | 200DK08-16 | 90301-I006-0000 | OIL SEAL 16×28×7 | RETENEDOR DE ESPROCKET 16*28*7 | 1 |
| 17 | 200DK08-17 | GB/T276-1996 | BEARING 6204 | COJINETE 6204 | 1 |
| 18 | 200DK08-18 | 91411-I006-0000 | WASHER 20 | WASHA | 2 |
| 19 | 200DK08-19 | 23243-I006-0000 | 2ND GEAR , COUNTER SHAFT | ENGRANAJE DE 2DA | 1 |
| 20 | 200DK08-20 | 23253-I006-0000 | BUSH | COLLAR DE ENGRANAJE | 1 |
| 21 | 200DK08-21 | 23247-I006-0000 | 5TH COUNTER SHAFT | ENGRANAJE | 1 |
| 22 | 200DK08-22 | 23241-I006-0000 | COUNTER SHAFT | EJE DE ESPROCKET DELANTERO | 1 |
| 23 | 200DK08-23 | 23245-I066-0000 | 4TH COUNTER SHAFT | ENGRANAJE | 1 |
| 24 | 200DK08-24 | 23244-I066-0000 | 3RD GEAR,COUNTER SHAFT | ENGRANAJE | 1 |
| 25 | 200DK08-25 | 23251-I006-0000 | WASHER,THRUST 16.5 | WASHA | 2 |
| 26 | 200DK08-26 | 23252-I006-0000 | COLLAR,COUNTER SHAFT 1ST GEAR | COLLAR DE ENGRANAJE | 1 |
| 27 | 200DK08-27 | 23242-I006-0000 | 1ST GEAR,COUNTER SHAFT | ENGRANAJE | 1 |
| 28 | 200DK08-28 | 23251-I006-0000 | BUSH | COLLAR PEQUEÑO | 1 |
| 29 | 200DK08-29 | 232447-I006-0000 | STARTING GEAR , COUNTER SHAFT | ENGRANAJE | 1 |
| 30 | 200DK08-30 | 23253-I006-0000 | WASHER 15 | WASHA | 1 |
| 31 | 200DK08-31 | 92151-I006-0000 | NEEDLE BEARING HK152112 | BUSHING DE ENGRANAJE | 1 |



GEAR SHIFT MECHANISM

GEAR SHIFT MECHANISM

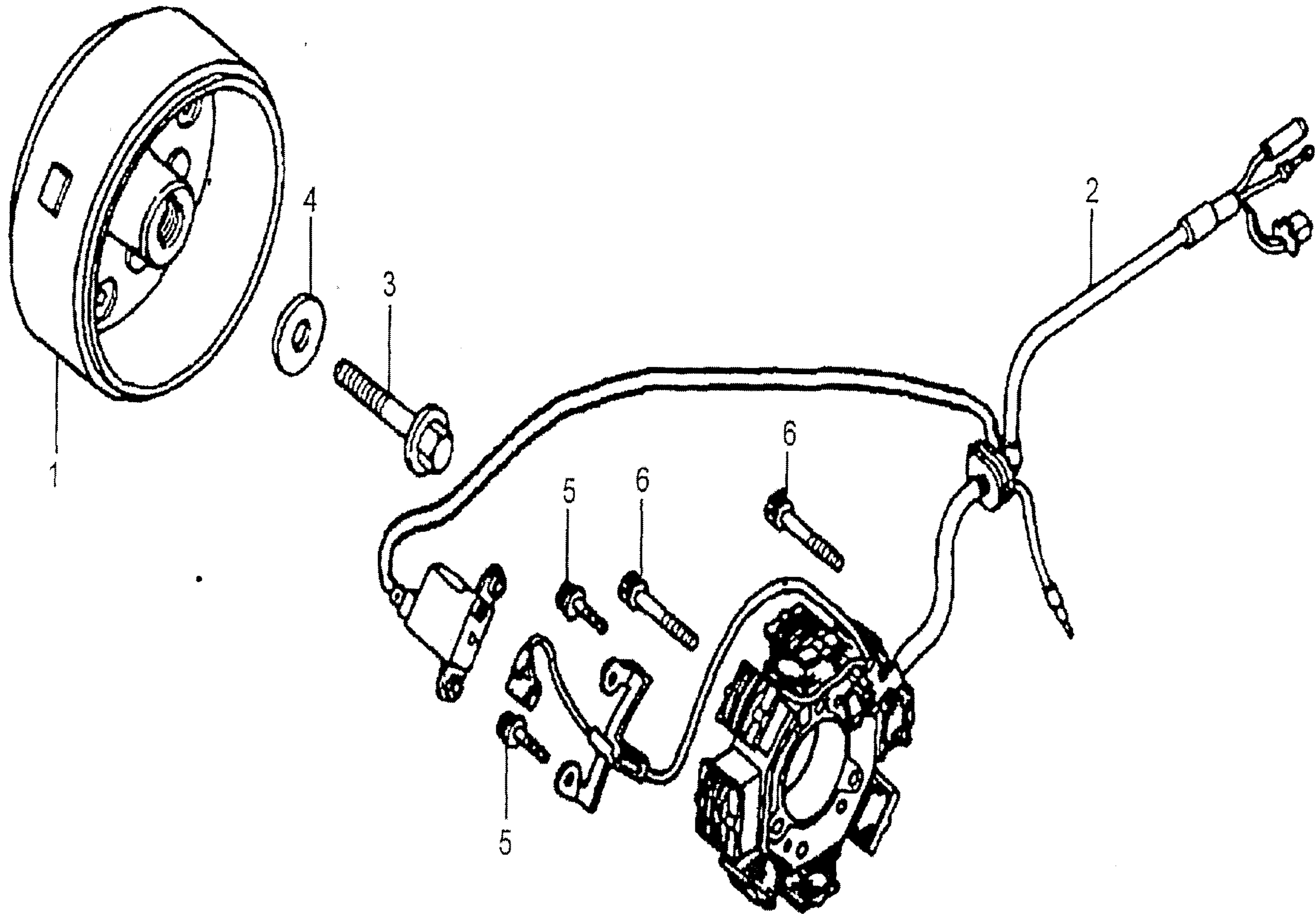
| No. | Codigo MASESA | Part No. | Description | Descripcion MASESA | Qty |
|-----|---------------|-----------------|--------------------------------|------------------------|-----|
| 1 | 200DK09-01 | GB/T894.1-1986 | RETAINING RING 12 | SEGURO | 1 |
| 2 | 200DK09-02 | 24302-I006-0000 | SPRING,SHIFT PLATE | RESORTE EJE DE CAMBIOS | 1 |
| 3 | 200DK09-03 | 24301-I006-0000 | SHIFT PLATE | PLATO EJE DE CAMBIOS | 1 |
| 4 | 200DK09-04 | 2432A-I006-0000 | SHIFT SHAFT COMP. | EJE DE VELOCIDADES | 1 |
| 5 | 200DK09-05 | 24303-I006-0000 | RETURN SPRING,SHIFT PLATE | RESORTE EJE DE CAMBIOS | 1 |
| 6 | 200DK09-06 | 91325-I006-0000 | STOPPING WASHER 16 | WASHA PLANA | 2 |
| 7 | 200DK09-07 | GB/T894.1-1986 | RETAINING RING 14 | SEGURO | 1 |
| 8 | 200DK09-08 | 24107-I006-0000 | SHAFT,GEARSHIFT FORK GUIDE | EJE SOLO | 1 |
| 9 | 200DK09-09 | 24104-I006-0000 | FORK,R.GEARSHIFT | ORQUETA DERECHA | 1 |
| 10 | 200DK09-10 | 24106-I006-0000 | FORK,CENTER GEARSHIFT | GUIA DE ORQUETA | 1 |
| 11 | 200DK09-11 | 24105-I006-0000 | FORK,L.GEARSHIFT | ORQUETA IZQUIERDA | 1 |
| 12 | 200DK09-12 | GB/T16674-1996 | BOLT M6x25 | TORNILLO | 1 |
| 13 | 200DK09-13 | 24203-I006-0000 | CAM PLATE,GEARSHIFT | PLACA DE SINCRONIZADOR | 1 |
| 14 | 200DK09-14 | GB/T119-2000 | PIN 4x10 | PIN | 1 |
| 15 | 200DK09-15 | 24201-I006-0000 | DRUM,GEARSHIFT | SELECTOR DE CAMBIOS | 1 |
| 16 | 200DK09-16 | 88002-I006-0000 | ROTOR,NEUTRAL SWITCH | ROTOR | 1 |
| 17 | 200DK09-17 | GB/T5783-2000 | BOLT M6x22 | TORNILLO | 1 |
| 18 | 200DK09-18 | 2434A-I006-0000 | POSITION PLATE, GEARSHIFT DRUM | TOPE DE SELECTOR | 1 |
| 19 | 200DK09-19 | 24304-I006-0000 | SPRING | RESORTE | 1 |
| 20 | 200DK09-20 | 24304-I006-0100 | SPRING | RESORTE | 1 |



KICK STARTER

KICK STARTER

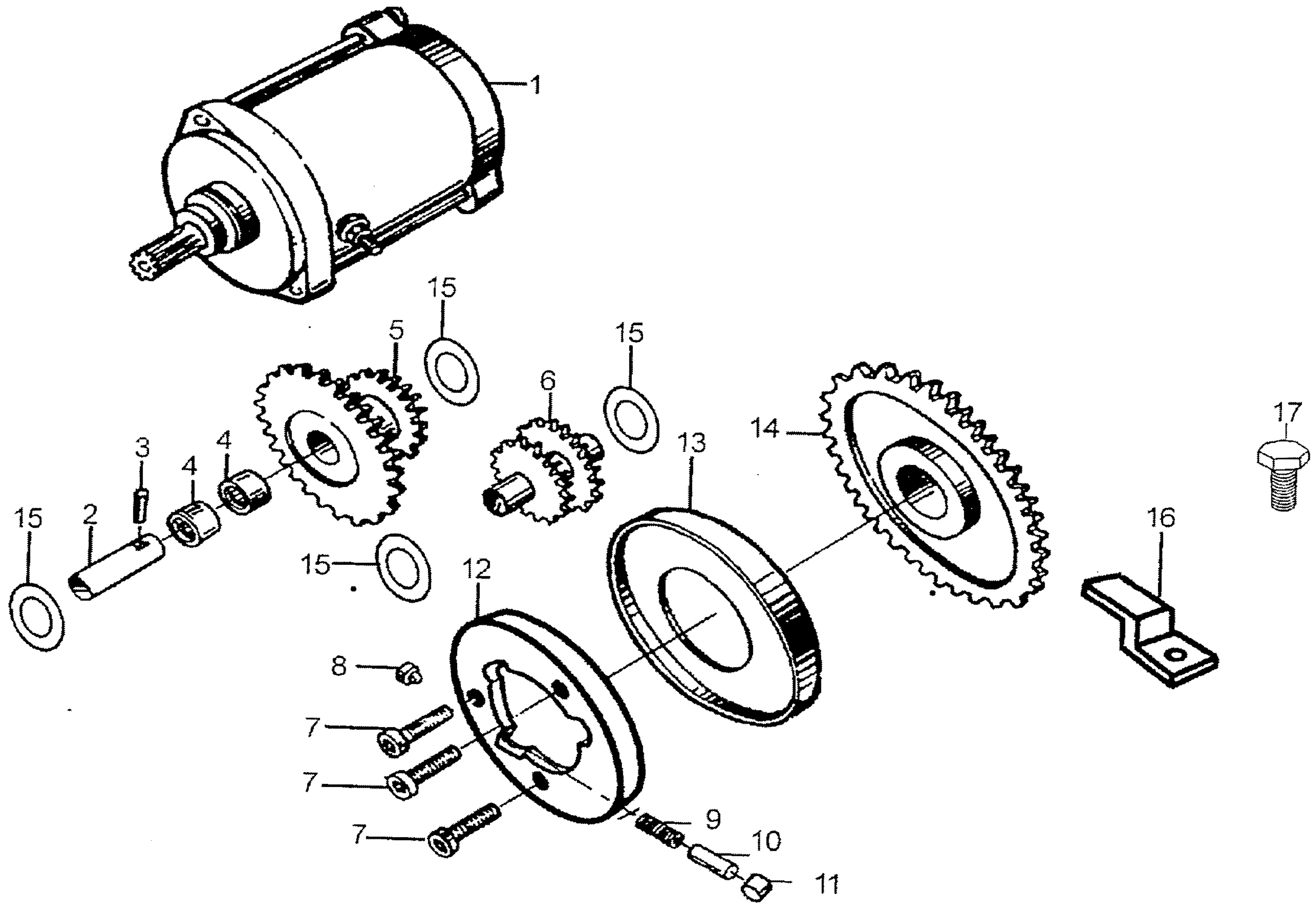
| No. | Codigo MASESA | Part No. | Description | Descripcion MASESA | Qty |
|-----|---------------|-----------------|------------------------------|----------------------------------|-----|
| 1 | 200DK10-01 | 21107-I006-0000 | SLEEVE | BUSHING DE EJE DE STARTER | 1 |
| 2 | 200DK10-02 | 21106-I006-0000 | SPRING, KICK STARTER | RESORTE DE EJE DE STARTER | 1 |
| 3 | 200DK10-03 | 21108-I006-0000 | SPRING RETAINER | RESORTE DE PRESION | 1 |
| 4 | 200DK10-04 | 21103-I006-0000 | SHAFT, STARTER | EJE DE RATCH DE STARTER COMPLETO | 1 |
| 5 | 200DK10-05 | 21101-I006-0000 | GEAR, KICK STARTER | ENGRANAJE DE PATADA DE ESTARTER | 1 |
| 6 | 200DK10-06 | 91323-I006-0000 | WASHER 16 | WASHA | 1 |
| 7 | 200DK10-07 | GB/T894.1-1986 | CIRCLIP 16 | SEGURO | 1 |
| 8 | 200DK10-08 | 21102-I006-0000 | RATCHET, KICK STARTER | ENGRANAJE DE RATCH | 1 |
| 9 | 200DK10-09 | 21104-I006-0000 | SPRING, KICK STARTER RATCHET | RESORTE DE RATCH | 1 |
| 10 | 200DK10-10 | 21105-I006-0000 | DISC, SPRING | BASE DE RESORTE | 1 |
| 11 | 200DK10-11 | GB/T894.1-1986 | WASHER 12 | WASHA | 1 |
| 12 | 200DK10-12 | 91324-I006-0000 | WASHER 12 | WASHA | 1 |
| 13 | 200DK10-13 | 90132-I006-0000 | O-RING 8x1.6 | ORING | 1 |
| 14 | 200DK10-14 | 91125-I006-0000 | BOLT M8x33 | TORNILLO | 1 |
| 15 | 200DK10-15 | GB/T97.1-1985 | WASHER 8 | WASHA | 1 |



MAGNETO

MAGNETO

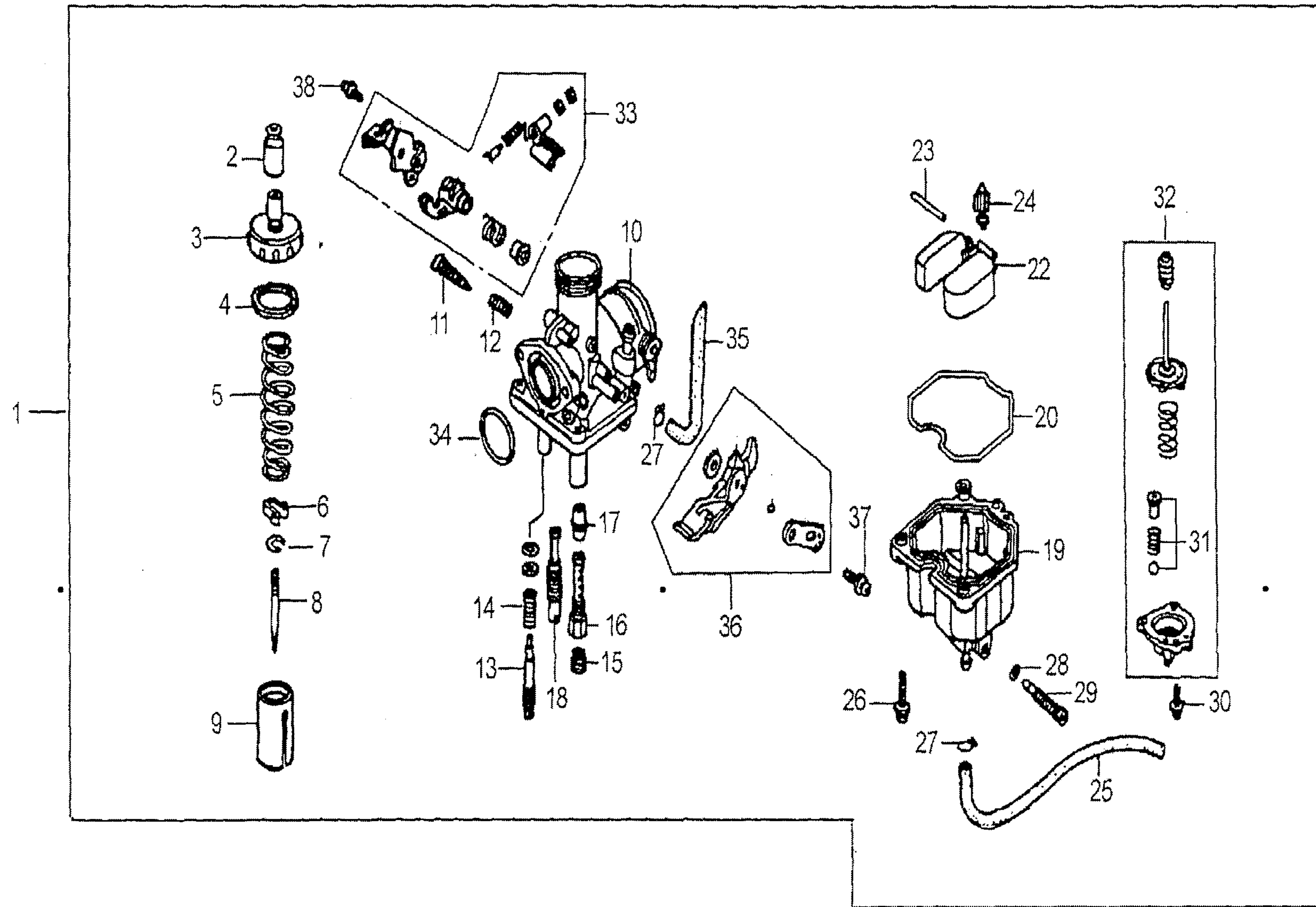
| No. | Codigo MASESA | Part No. | Description | Descripcion MASESA | Qty |
|-----|---------------|-------------------|------------------|--------------------|-----|
| 1 | 200DK11-01 | 82120-L044-0000 | STATOR COMP. | PLANTA COMPLETA | 1 |
| 2 | 200DK11-02 | 82130-I006-0000 | ROTATOR COMP. | PLANTA SOLA | 1 |
| 3 | 200DK11-03 | 91111-I006-00000B | BOLT M10×1.25×35 | TORNILLO | 1 |
| 4 | 200DK11-04 | 91382-I006-0000 | WASHER 10 | WASHA | 1 |
| 5 | 200DK11-05 | GB/T16674-1996 | BOLT M6×20 | TORNILLO | 2 |
| 6 | 200DK11-06 | GB/T819.1-2000 | SCREW M6×30 | TORNILLO | 2 |



ELECTRIC STARTER

ELECTRIC STARTER

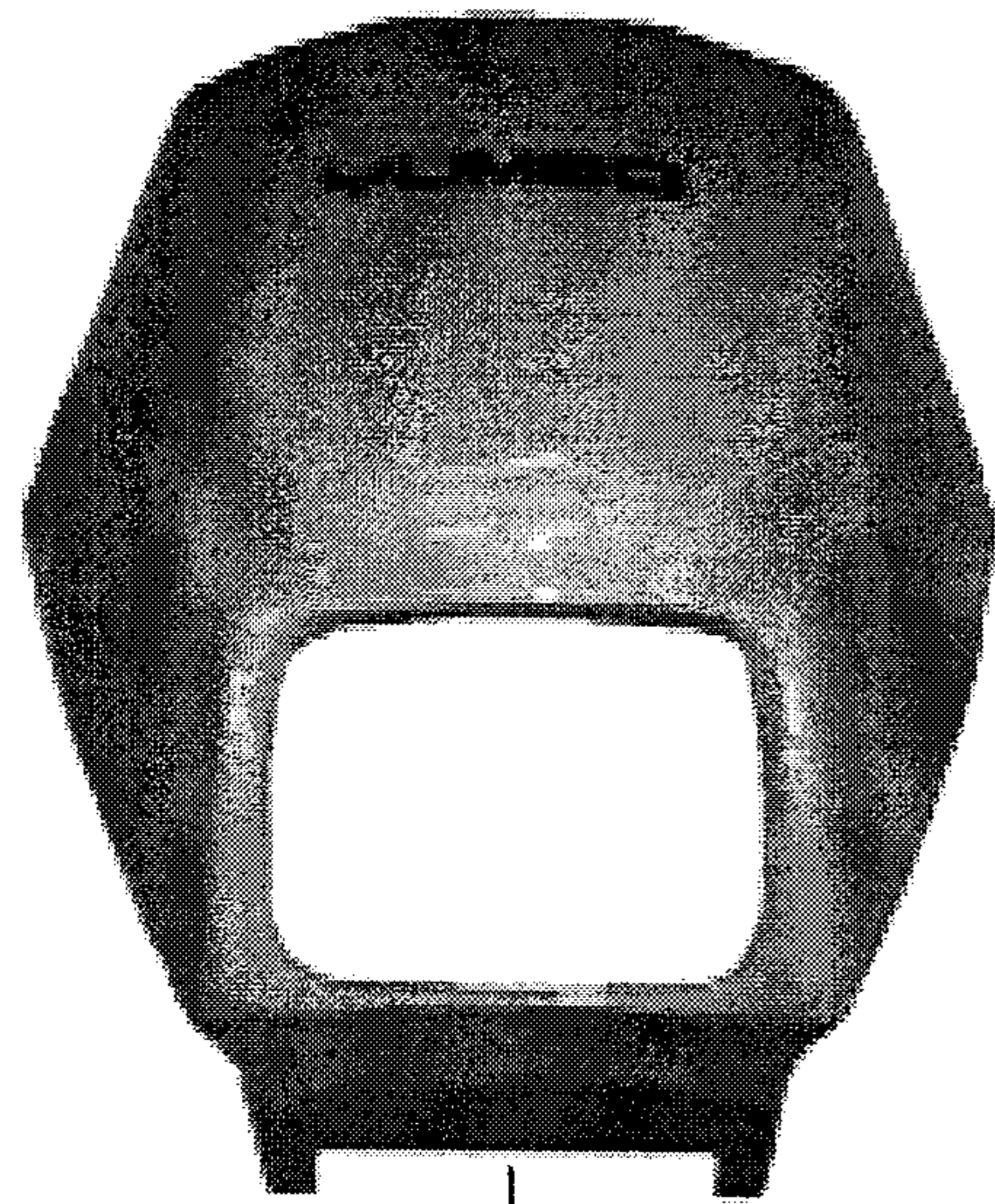
| No. | Codigo MASESA | Part No. | Description | Descripcion MASESA | Qty |
|-----|---------------|-----------------|-------------------------------|-------------------------|-----|
| 1 | 200DK12-01 | 82200-L044-0000 | STARTING MOTOR ASSY. | STARTER | 1 |
| 2 | 200DK12-02 | 21402-I049-0000 | DUAL GEAR(1) AXLE | GUIA | 1 |
| 3 | 200DK12-03 | GB/T119-2000 | PIN A3×6 | PIN | 1 |
| 4 | 200DK12-04 | GB/T290-1998 | NEEDLE BEARING HK101410 | COJINETE DE AGUJAS | 2 |
| 5 | 200DK12-05 | 21403-I049-0000 | DUAL GEAR(1) | ENGRANAJE | 1 |
| 6 | 200DK12-06 | 21401-I049-0000 | DUAL GEAR(2) | ENGRANAJE | 1 |
| 7 | 200DK12-07 | GB/T70.1-2000 | SCREW M6×12 | TORNILLO | 3 |
| 8 | 200DK12-08 | 21306-I008-0000 | SPRING SEAT | ASCIENTO DE RESORTE | 3 |
| 9 | 200DK12-09 | 21303-I008-0000 | SPRING | RESORTE DE STARTER | 3 |
| 10 | 200DK12-10 | 21302-I008-0000 | SPRING SOCKET | BASE RESORTE DE STARTER | 3 |
| 11 | 200DK12-11 | 21304-I008-0000 | ROLLER 10 | TOPE RESORTE DE STARTER | 3 |
| 12 | 200DK12-12 | 21301-I008-0000 | STARTING CLUTCH BODY | CLUTCH DE STARTER | 1 |
| 13 | 200DK12-13 | 21305-I008-0000 | SHIELD | PLATO DE STARTER 2 | 1 |
| 14 | 200DK12-14 | 2142A-I049-0000 | GEAR BAFFELER,STARTING CLUTCH | ENGRANAJE DE STARTER | 1 |
| 15 | 200DK12-15 | 21403-I008-0000 | GEAR WASHER 10 | WASHA | 4 |
| 16 | 200DK12-16 | 21409-I049-0000 | STOP PLATE | PLACA | 1 |
| 17 | 200DK12-17 | GB/T5783-2000 | BOLT M6×12 | TORNILLO | 1 |



CARBURATOR

CARBURATOR

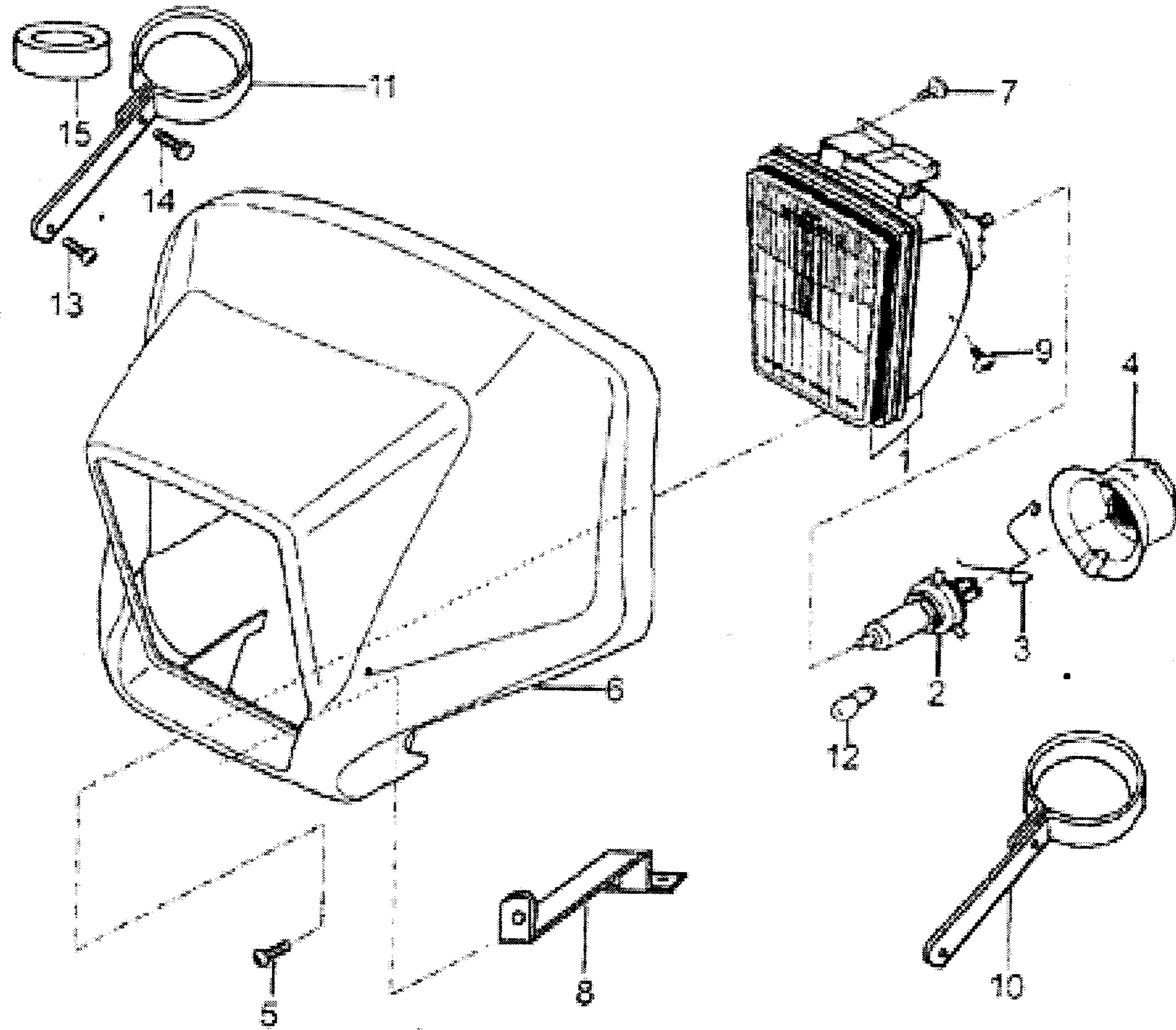
| No. | Codigo MASESA | Part No. | Description | Descripcion MASESA | Qty |
|-----|---------------|-------------------|-------------------------------|----------------------------|-----|
| 1 | 200DK13-01 | 17100-L044-0000 | CARBURETOR CPMP. | CARBURADOR COMPLETO | 1 |
| 2 | 200DK13-02 | 17101-L044-0000 | DUST PROTECTOR | PROTECTOR | 1 |
| 3 | 200DK13-03 | 17102-L044-0000 | MIXING CHAMBER COVER | CAMPANA DE CARBURADOR | 1 |
| 4 | 200DK13-04 | 90202-L044-0000 | GASKET | EMPAQUE DE CAMPANA | 1 |
| 5 | 200DK13-05 | 17149-L044-0000 | CARBURETOR SPRING | RESORTE DE CAMPANA | 1 |
| 6 | 200DK13-06 | 17104-L044-0000 | "V"CLIP | SEGURO | 1 |
| 7 | 200DK13-07 | GB/T896-1986 | "E"RING 1.5 | ORING | 1 |
| 8 | 200DK13-08 | 17107-L044-0000 | OIL NEEDLE | AGUJA DEL ACEITE | 1 |
| 9 | 200DK13-09 | 17105-L044-0000 | VALVE | VALVULA | 1 |
| 10 | 200DK13-10 | 17110-L044-0000 | CARBURETOR BODY | CUERPO DE CARBURADOR | 1 |
| 11 | 200DK13-11 | 17111-L044-0000 | ADJUSTING SCREW, IDLE | TORNILLO | 1 |
| 12 | 200DK13-12 | 17112-L044-0000 | SPRING | RESORTE | 1 |
| 13 | 200DK13-13 | 17113-L044-0000 | ADJUSTING SCREW, MIXING RATIO | TORNILLO DE AJUSTE | 1 |
| 14 | 200DK13-14 | 17114-L044-0000 | RETURN SPRING | RESORTE | 1 |
| 15 | 200DK13-15 | 17118-L044-0000 | MAIN MEASURING HOLE | TOPE | 1 |
| 16 | 200DK13-16 | 17117-L044-0000 | MAIN NOZZLE | AJUGA RESPIRADERO | 1 |
| 17 | 200DK13-17 | 17116-L044-0000 | MAIN JET | AJUGA | 1 |
| 18 | 200DK13-18 | 17115-L044-0000 | IDLE NOZZLE | AGUJA DE CARBURADOR | 1 |
| 19 | 200DK13-19 | 17140-L044-0000 | FLOAT CHAMBER | TASA DE CARBURADOR | 1 |
| 20 | 200DK13-20 | 17142-L044-0000 | GASKET | EMPAQUE TASA DE CARBURADOR | 1 |
| 21 | 200DK13-21 | 90108-L044-0000 | GASKET RING | EMPAQUE | 1 |
| 22 | 200DK13-22 | 17150-L044-0000 | FLOAT | FLOTE DE GASOLINA | 1 |
| 23 | 200DK13-23 | 17145-L044-0000 | FLOAT PIN | PIN DE FLOTE | 1 |
| 24 | 200DK13-24 | 17143-L044-0000 | FLOAT NEEDLE | AGUJA FLOTE DE GASOLINA | 1 |
| 25 | 200DK13-25 | 17148-L044-0000 | TUBE | MANGUERA | 1 |
| 26 | 200DK13-26 | GB/T9074.1 | SCREW & WASHER M4x14 | TORNILLO Y WASHA | 3 |
| 27 | 200DK13-27 | 17149-L044-0000 | CLIP, TUBE | SEGURO | 2 |
| 28 | 200DK13-28 | 90104-L044-0000 | GASKET RING 4 | ORING | 1 |
| 29 | 200DK13-29 | 17146-L044-0000 | OIL DRAIN SCREW | TORNILLO DE DESAGUE | 1 |
| 30 | 200DK13-30 | GB/T818-2000 | SCREW M5x12 | TORNILLO | 1 |
| 31 | 200DK13-31 | 17130-L044-0000 | ONE-WAY VALVE | KIT DE VALVULA | 1 |
| 32 | 200DK13-32 | 17300-L044-0000 | STEERED-UP PUMP | KIT COMPLETO DE VALVULA | 1 |
| 33 | 200DK13-33 | 17120-L044-0000 | ADJUSTER | KIT DE AJUSTE | 1 |
| 34 | 200DK13-34 | 90107-L044-0000 | O-RING 30x2.5 | ORING | 1 |
| 35 | 200DK13-35 | 17121-L044-0000 | TUBE | MANGUERA | 1 |
| 36 | 200DK13-36 | 17170-L044-0000 | HANDLE. CHOKE | PALANCA DE SHOCK | 1 |
| 37 | 200DK13-37 | L3052-0000-00000C | SCREW M5x12 | TORNILLO | 1 |
| 38 | 200DK13-38 | GB/T818-2000 | SCREW M4x16 | TORNILLO | 3 |



6.1 - 6.2



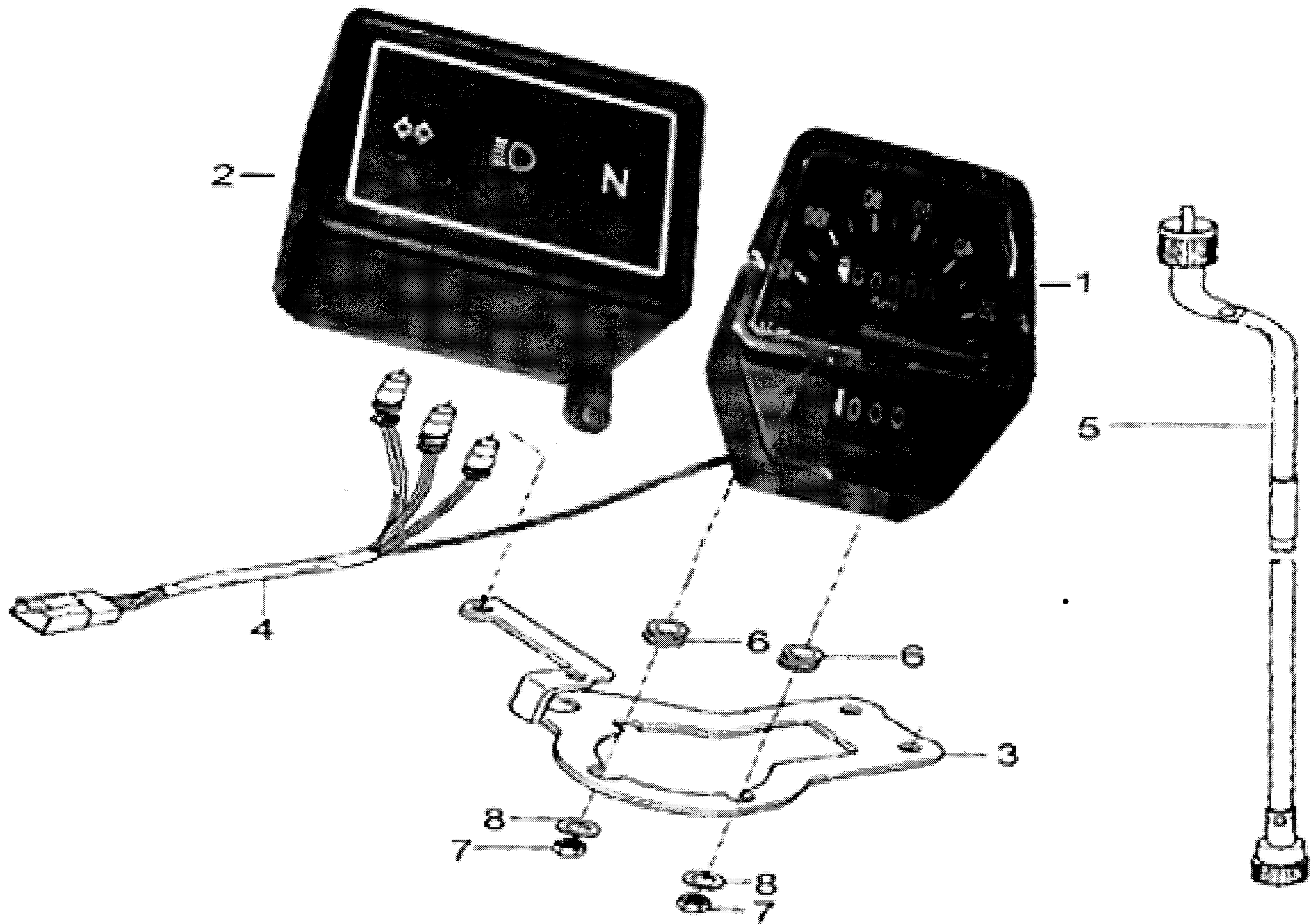
1.1



HEADLIGHT

HEADLIGHT

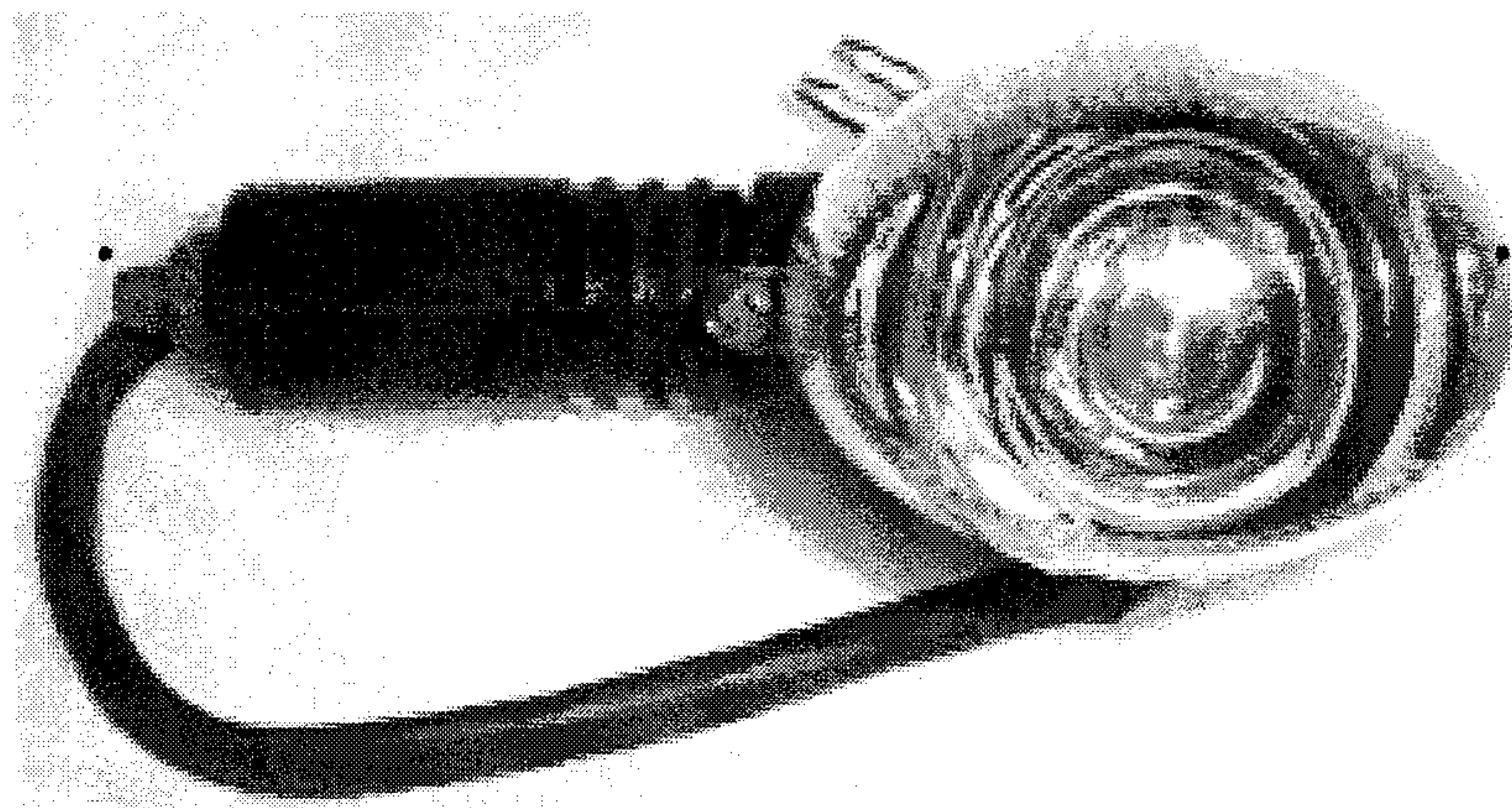
| No. | Codigo MASESA | Part No. | Description | Descripcion MASESA | Qty |
|-----|------------------|-----------------|-------------------------|--------------------------|-----|
| 1 | 200DK14-01 | 86130-1111-0000 | HEADLIGHT ASSY | SILVIN | 1 |
| 1.1 | 200DK14-01/M06 | 86130-1111-0000 | HEADLIGHT MODEL 2005 | VIDRIO DE SILVIN | 1 |
| 2 | 200DK14-02 | 86160-1111-0000 | BULB 12V/35W | BOMBILLA DE SILVIN | 1 |
| 3 | 200DK14-03 | 86117-1111-0000 | SPRING | RESORTE DE SILVIN | 1 |
| 4 | 200DK14-04 | 86140-1111-0000 | SEAT HEADLIGHT | SOCKET DE BOMBILLA SILV. | 1 |
| 5 | 200DK14-05 | GB/T818-2000 | SCREW M5×50 | TORNILLO | 1 |
| 6 | 200DK14-06 | 71300-1111-0000 | CASE HEADLIGHT | KEIS DE SILVIN | 1 |
| 6.1 | 200DK14-06/M06RD | 71300-1111-0000 | CASE HEADLIGHT w/ color | KEIS DE SILVIN ROJO | 1 |
| 6.2 | 200DK14-06/M06YW | 71300-1111-0000 | CASE HEADLIGHT w/ color | KEIS DE SILVIN AMARILLO | 1 |
| 7 | 200DK14-07 | GB/T818-2000 | SCREW M5×12 | TORNILLO | 2 |
| 8 | 200DK14-08 | 86110-1111-0000 | BRACKET HEADLIGHT | PLACA DE SILVIN | 1 |
| 9 | 200DK14-09 | GB/T845-1985 | SCREW ST3.5×13 | TORNILLO | 2 |
| 10 | 200DK14-10 | 71164-1111-0000 | BRACKET FR.FORK(1) | OREJA DE FAROL 1 | 2 |
| 11 | 200DK14-11 | 71165-1111-0000 | BRACKET FR.FORK(2) | OREJA DE FAROL 2 | 1 |
| 12 | 200DK14-12 | 86170-1111-0000 | BULB 12V/3.4W | BOMBILLA DE MEDIA LUZ | 1 |
| 13 | 200DK14-13 | GB/T5783-2000 | BOLT M6×12 | TORNILLO | 2 |
| 14 | 200DK14-14 | GB/T818-2000 | SCREW M6×12 | TORNILLO | 2 |
| 15 | 200DK14-15 | 71162-1111-0000 | RUBBER SLEEVE | HULE DE SILVIN | 2 |



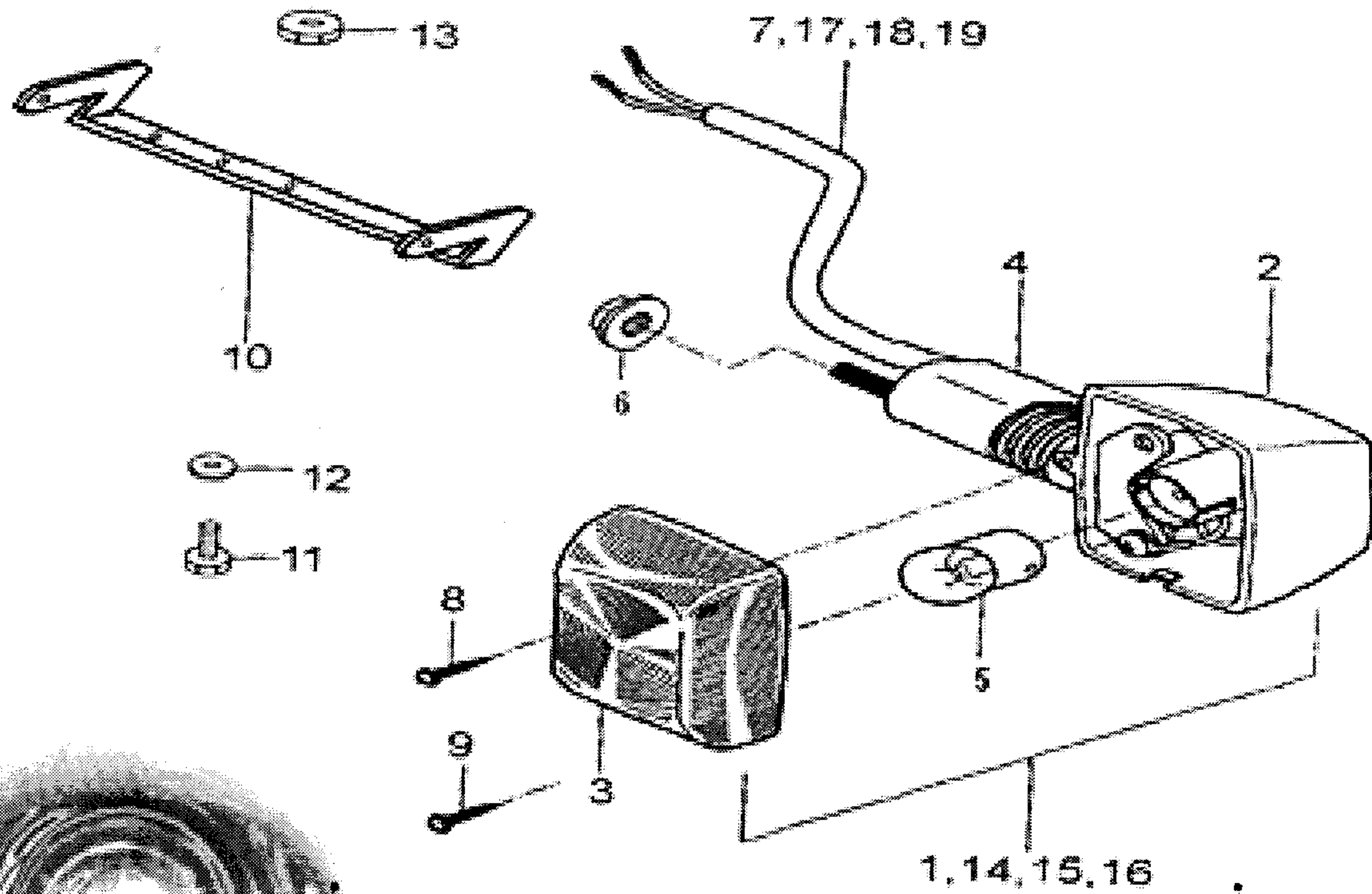
METER

METER

| No. | Codigo MASESA | Part No. | Description | Descripcion MASESA | Qty |
|-----|---------------|-----------------|----------------------|----------------------------------|-----|
| 1 | 200DK15-01 | 87100-1111-0000 | METER ASSY | RELOJ DE ASPIROMETRO | 1 |
| 2 | 200DK15-02 | 87150-1111-0000 | INDICATOR ,GEARSHIFT | TABLERO LUZ DE NEUTRO | 1 |
| 3 | 200DK15-03 | 87158-1111-0000 | BRACKET ,SPEEDOMETER | BASE DE RELOJ | 1 |
| 4 | 200DK15-04 | 87180-1111-0000 | WIRE, METER | HARNES VELOCIMETRO | 1 |
| 5 | 200DK15-05 | 87300-1111-0000 | CABLE ASSY | CABLE DE ASPIROMETRO DAKAR 200CC | 1 |
| 6 | 200DK15-06 | 87111-1111-0000 | DAMPER | HULE BASE DE RELOJ | 2 |
| 7 | 200DK15-07 | GB/T6170-2000 | NUT M5 | TUERCA | 2 |
| 8 | 200DK15-08 | GB/T96-1985 | WASHER 5 | WASHA | 2 |



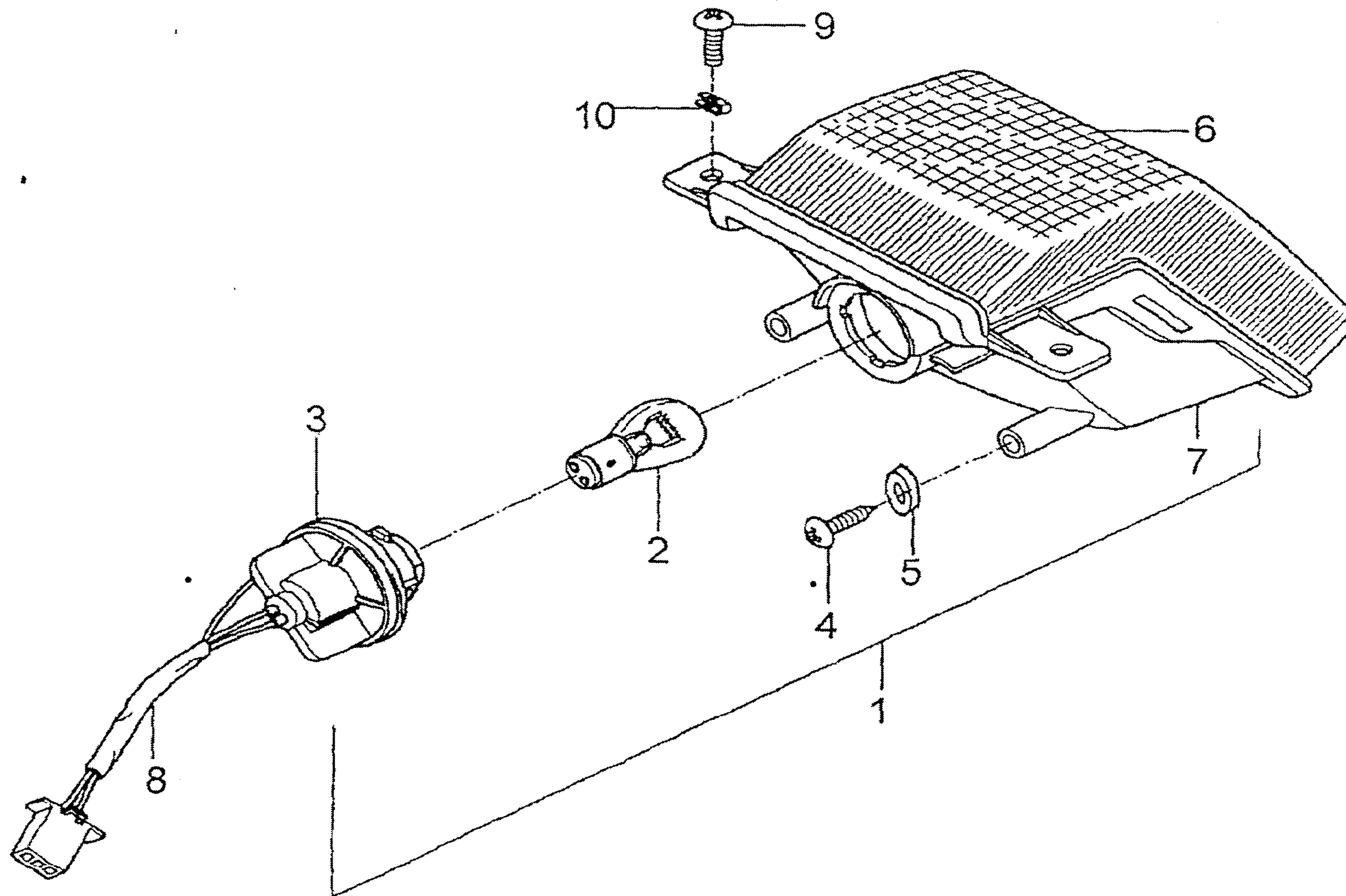
1,14,15,16



TURNING LIGHT

TURNING LIGHT

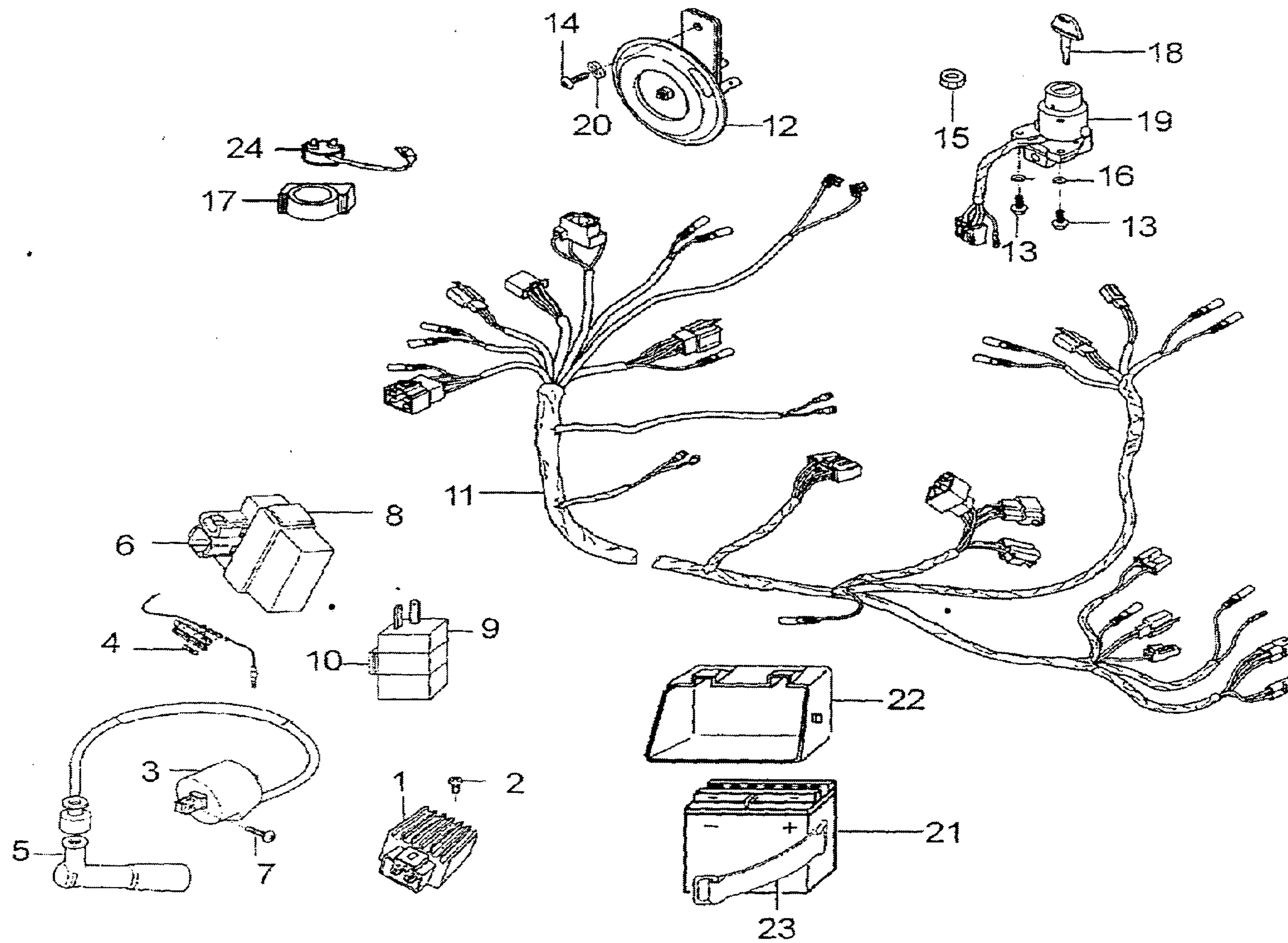
| No. | Codigo MASESA | Part No. | Description | Descripcion MASESA | Qty |
|-----|----------------|-----------------|------------------------------|----------------------------|-----|
| 1 | 200DK16-01 | 86300-1111-0000 | L.F.TURNING LIGHT | PIDEVIAS COMPLETO FR LH | 1 |
| 1.1 | 200DK16-01/M06 | 86300-1111-0000 | TURN SIGNAL LIGHT 2005 model | PIDEVIAS TRANSPARENTE | |
| 2 | 200DK16-02 | 86304-1111-0000 | SEAT | BASE DE TALCO | 4 |
| 3 | 200DK16-03 | 86305-1111-0000 | CAP ,TURNING LIGHT | TALCO DE PIDEVIAS | 4 |
| 4 | 200DK16-04 | 86301-1111-0000 | RUBBER SLEEVE TURNING LAMP | PLASTICO DE PIDEVIAS | 4 |
| 5 | 200DK16-05 | 86350-1111-0000 | BULB 12V/10W | BOMBILLA DE PIDEVIAS | 4 |
| 6 | 200DK16-06 | GB/T6187.1-2000 | NUT M10 | TUERCA | 4 |
| 7 | 200DK16-07 | 86360-1111-0000 | WIRE ASSY | HARNES DE PIDEVIAS | 4 |
| 8 | 200DK16-08 | GB/T845-1985 | SCREW ST4.2×13 | TORNILLO | 4 |
| 9 | 200DK16-09 | G0010-0000-0000 | SCREW ST2.9×19 | TORNILLO | 8 |
| 10 | 200DK16-10 | 87101-1111-0000 | BRACKET,METER | BASE DE PIDEVIAS DELANTERO | 1 |
| 11 | 200DK16-11 | GB/T5783-2000 | BOLT M6×20 | TORNILLO | 2 |
| 12 | 200DK16-12 | GB/T96-1985 | WASHER 6 | WASHA | 2 |
| 13 | 200DK16-13 | GB/T6170-2000 | NUT M6 | TUERCA | 2 |
| 14 | 200DK16-14 | 86400-1111-0000 | R.F.TURNING LIGHT | PIDEVIAS COMPLETO FR RH | 1 |
| 15 | 200DK16-15 | 86500-1111-0000 | L.RR.TURNING LIGHT | PIDEVIAS COMPLETO RR LH | 1 |
| 16 | 200DK16-16 | 86600-1111-0000 | RR.R.TURNING LIGHT | PIDEVIAS COMPLETO RR RH | 1 |
| 17 | 200DK16-17 | 86450-1111-0000 | R.F.WIRE ASSY | HARNES DE PIDEVIAS | 1 |
| 18 | 200DK16-18 | 86550-1111-0000 | L.RR.WIRE ASSY | HARNES DE PIDEVIAS | 1 |
| 19 | 200DK16-19 | 86650-1111-0000 | RR.R.WIRE ASSY | HARNES DE PIDEVIAS | 1 |



TAIL LIGHT

TAIL LIGHT

| No. | Codigo MASESA | Part No. | Description | Descripcion MASESA | Qty |
|-----|---------------|-----------------|---------------------------|--------------------|-----|
| 1 | 200DK17-01 | 86200-1111-0000 | TAIL LIGHT | STOP COMPLETO | 1 |
| 1 | 200DK17-02 | 86260-1111-0000 | BULB, TAILLIGHT 12V21W/5W | BOMBILLA DE STOP | 1 |
| 1 | 200DK17-03 | 86201-1111-0000 | SEAT, BULB | SOCKET DE BOMBILLA | 1 |
| 1 | 200DK17-04 | GB/T845-1985 | SCREW ST4.2×16 | TORNILLO | 2 |
| 1 | 200DK17-05 | GB/T96-1985 | WASHER 5 | WASHA | 2 |
| 1 | 200DK17-06 | 86204-1111-0000 | COVER, TAILLIGHT | TALCO DE STOP | 1 |
| 1 | 200DK17-07 | 86202-1111-0000 | CASE, TAILLIGHT | BASE TALCO DE STOP | 1 |
| 1 | 200DK17-08 | 86290-1111-0000 | WIRE ASSY | HARNES DE STOP | 1 |
| 1 | 200DK17-09 | GB/T813-2000 | SCREW M6×20 | TORNILLO | 2 |
| 1 | 200DK17-10 | 91211-1111-0000 | CLIP | SEGURO | 2 |



ELECTRIC

ELECTRIC

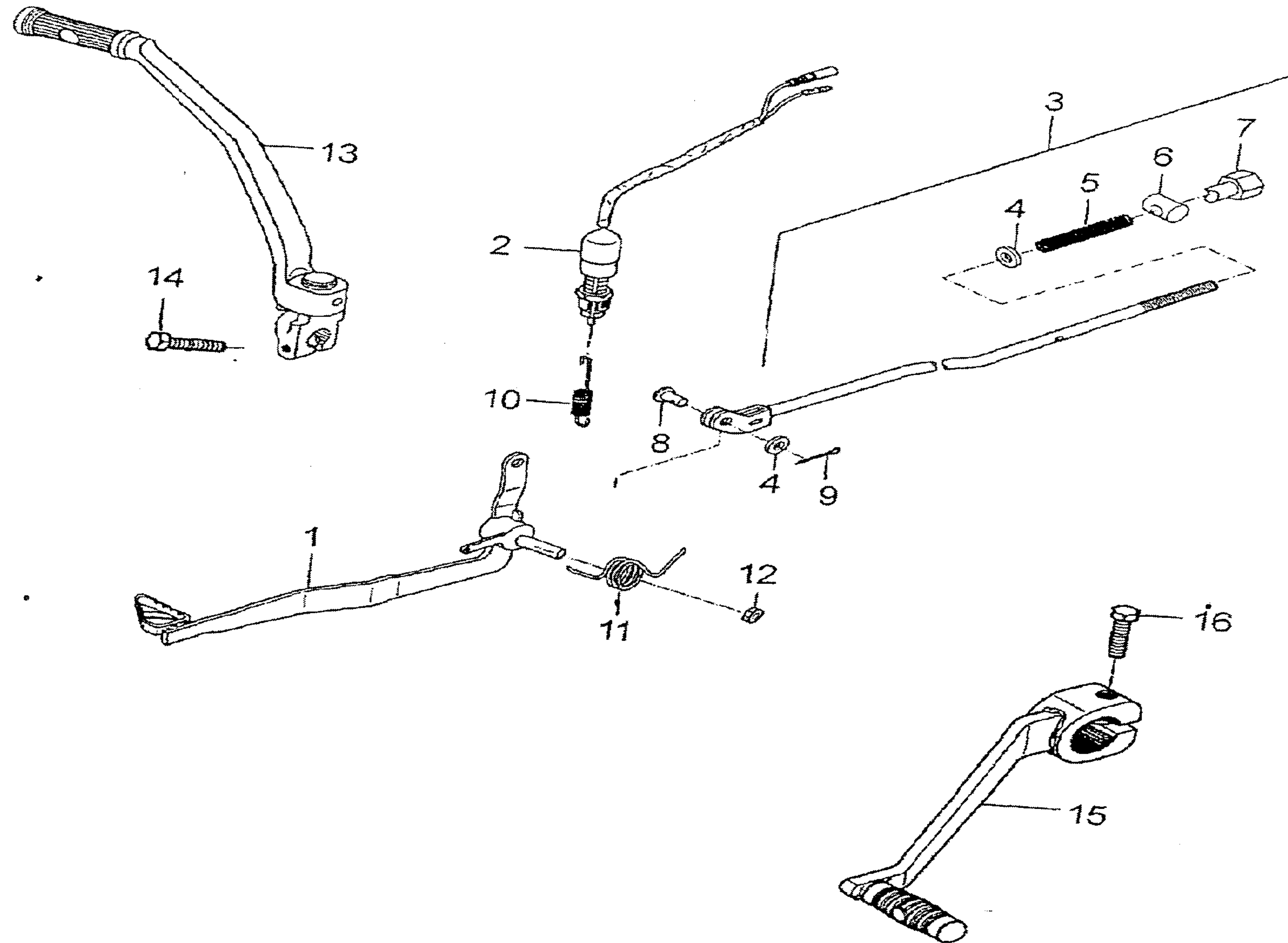
| No. | Codigo MASESA | Part No. | Description | Descripcion MASESA | Qty |
|-----|---------------|-----------------|-------------------------|------------------------------|-----|
| 1 | 200DK18-01 | 83100-1111-0000 | RECTIFIER | RECTIFICADOR 200 | 1 |
| 2 | 200DK18-02 | GB/T16674-1996 | BOLT M6×16 | TORNILLO | 1 |
| 3 | 200DK18-03 | 81110-1111-0000 | COIL ASSY ,IGNITION | BOBINA DE ALTA | 1 |
| 4 | 200DK18-04 | 85170-1111-0000 | PROTECTOR | PROTECTOR | 1 |
| 5 | 200DK18-05 | 81130-1111-0000 | CAP, SPARKPLUG | CAPUCHON DE CANDELA | 1 |
| 6 | 200DK18-06 | 81200-1111-0000 | IGNITION | CDI | 1 |
| 7 | 200DK18-07 | GB/T16674-1996 | BOLT M6×12 | TORNILLO | 2 |
| 8 | 200DK18-08 | 81211-1126-0000 | RUBBER SLEEVE, IGNITION | HULE DE CDI | 1 |
| 9 | 200DK18-09 | 85600-1126-0000 | FLASHER | FLASHER DE PIDE VIAS | 1 |
| 10 | 200DK18-10 | 85601-1111-0000 | RUBBER SLEEVE,FLASHER | HULE DE FLASHER | 1 |
| 11 | 200DK18-11 | 85100-1111-0000 | HARNESS | HARNES COMPLETO | 1 |
| 12 | 200DK18-12 | 85500-1111-0000 | HORN | BOCINA | 1 |
| 13 | 200DK18-13 | GB/T16674-1996 | BOLT M6×30 | TORNILLO | 2 |
| 14 | 200DK18-14 | GB/T16674-1996 | BOLT M6×25 | TORNILLO | 1 |
| 15 | 200DK18-15 | GB/T6170-2000 | NUT M6 | TUERCA | 2 |
| 16 | 200DK18-16 | GB/T93-1987 | SPRING WASHER 6 | WASHA | 2 |
| 17 | 200DK18-17 | 82291-1111-0000 | RUBBER SLEEVE,RELAY | HULE DE RELAY | 1 |
| 18 | 200DK18-18 | 84200-1111-0000 | IGNITION LOCK | LLAVE DE SWITCH | 1 |
| 19 | 200DK18-19 | 84210-1111-0000 | KEYS | SWITCH DE IGNICION (MACHOTE) | 1 |
| 20 | 200DK18-20 | GB/T96-198 | WASHER 6 | WASHA | 2 |
| 21 | 200DK18-21 | 83200-G127-0000 | BATTERY | BATERIA | 1 |
| 22 | 200DK18-22 | 83230-1111-0000 | BATTERY BOX | CAJA DE BATERIA | 1 |
| 23 | 200DK18-23 | 83210-1111-0000 | BAND | BANDA DE BATERIA | 1 |
| 24 | 200DK18-24 | 82290-1111-0000 | STARTING RELAY | RELAY DE MOTOR DE ARRANQUE | 1 |



HANDLE CONTRALOR

HANDLE CONTRALOR

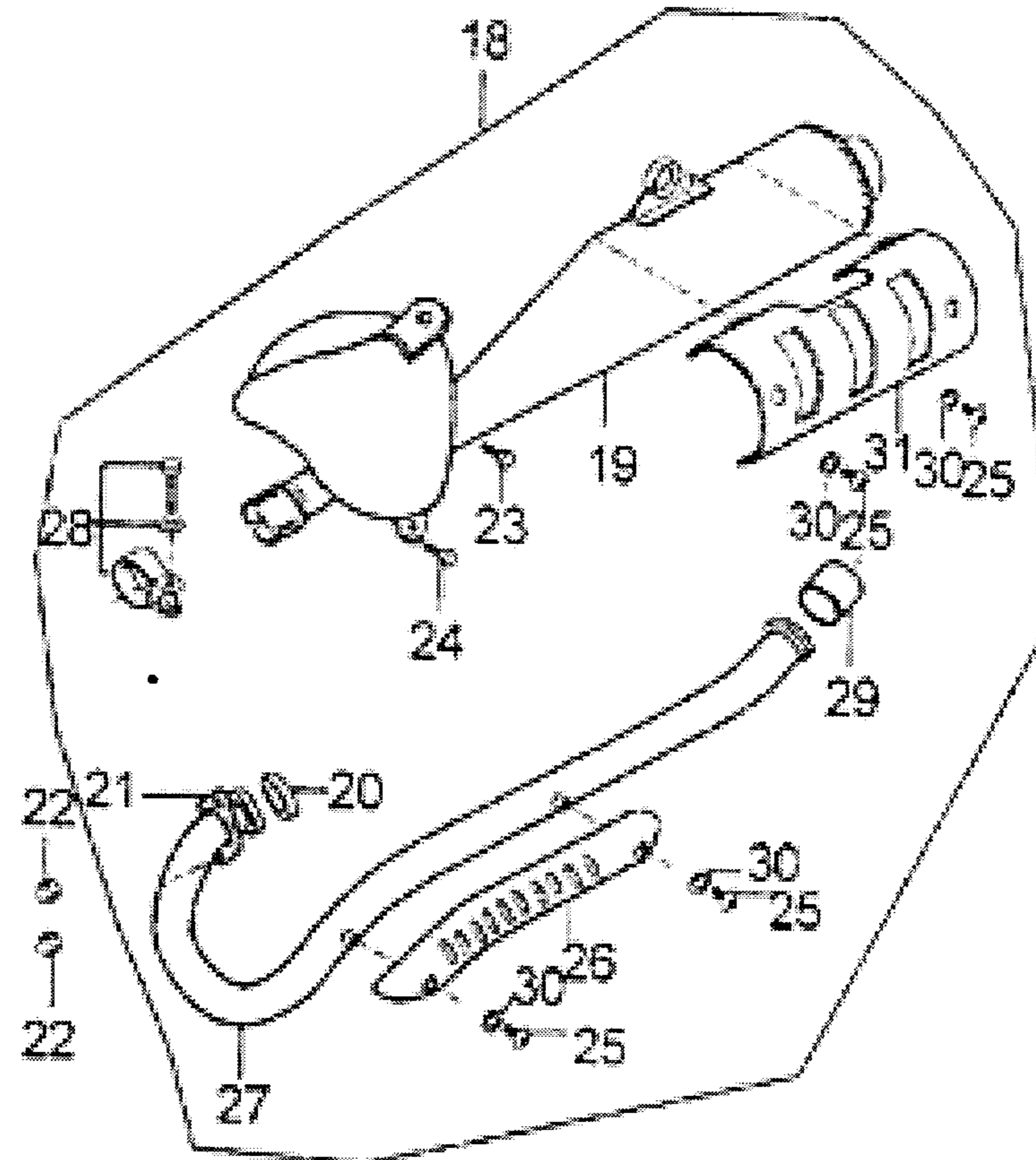
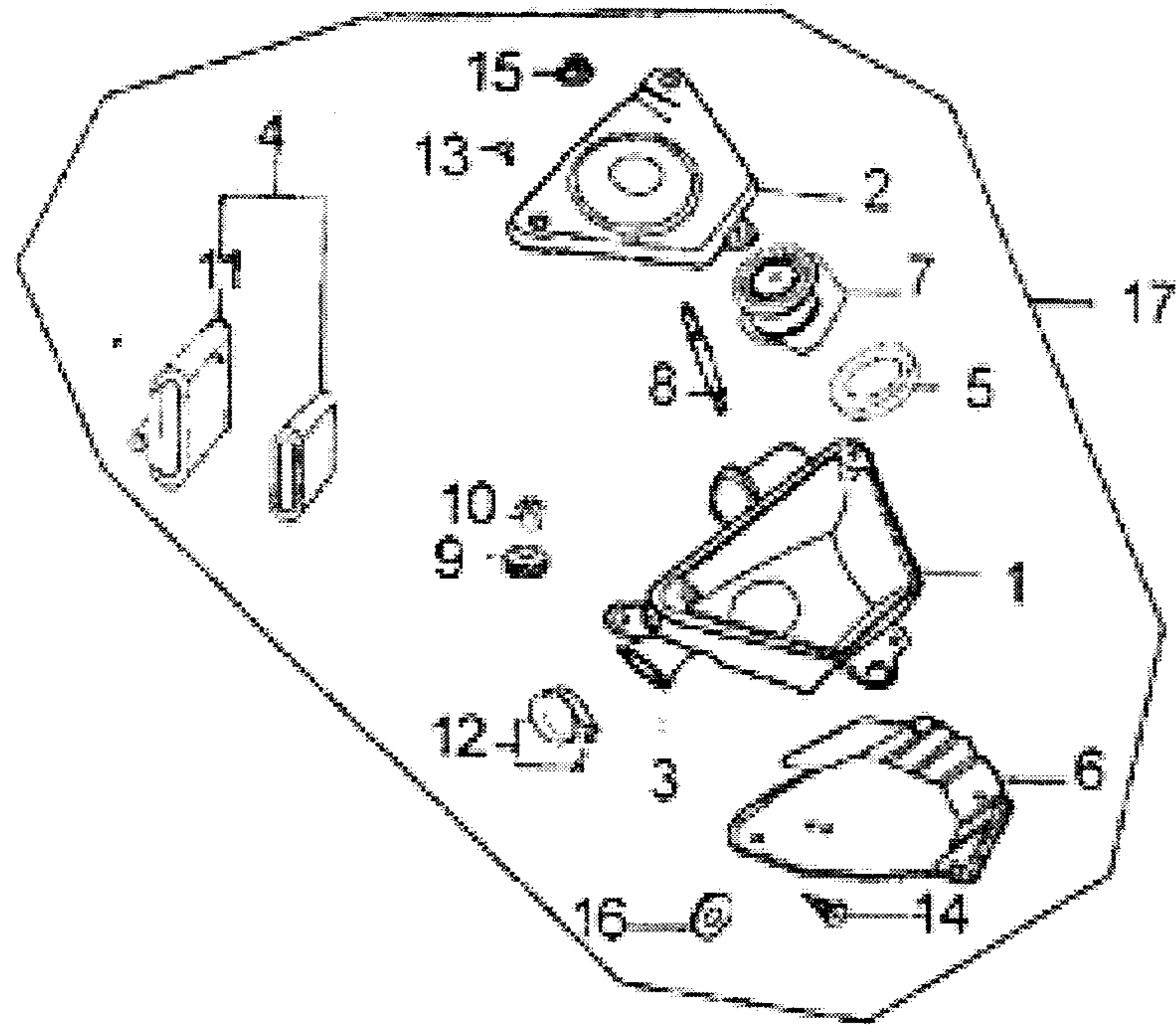
| No. | Codigo MASESA | Part No. | Description | Descripcion MASESA | Qty |
|-----|---------------|-----------------|----------------------------|------------------------------|-----|
| 1 | 200DK19-01 | 72600-1111-0000 | CABLE ASSY, CLUTCH | CABLE DE CLUTCH | 1 |
| 2 | 200DK19-02 | 69120-1111-0000 | R.BACK VIEW MIRROR ASSY | RETROVISOR RH | 1 |
| 3 | 200DK19-03 | 69110-1111-0000 | L.BACK VIEW MIRROR ASSY | RETROVISOR LH | 1 |
| 4 | 200DK19-04 | 72011-1111-0000 | L.GRIP | MANGO LH | 1 |
| 5 | 200DK19-05 | 72200-1111-0000 | L. SWITCH ASSY | SWITCH IZQUIERDO | 1 |
| 6 | 200DK19-06 | 72209-1111-0000 | CLUTCH LEVER | MANECILLA DE CLUTCH | 1 |
| 7 | 200DK19-07 | 72224-1111-0000 | BOLT | TORNILLO | 2 |
| 8 | 200DK19-08 | 72272-1111-0000 | LOCK NUT | TUERCA DE AJUSTE | 1 |
| 9 | 200DK19-09 | 72275-1111-0000 | ADJUST BOLT | TORNILLO DE AJUSTE | 1 |
| 10 | 200DK19-10 | GB/T6170-2000 | NUT M6 | TUERCA | 2 |
| 11 | 200DK19-11 | 72309-1111-0000 | BRAKE LEVER | MANECILLA DE FRENO DELANTERO | 1 |
| 12 | 200DK19-12 | 72020-1111-0000 | GRIP COMP R. | PUÑO DE ACELERADOR COMPLETO | 1 |
| 13 | 200DK19-13 | GB/T923-1988 | NUT M5 | TUERCA | 1 |
| 14 | 200DK19-14 | 72300-1111-0000 | R. SWITCH ASSY | SWITCH DERECHO | 1 |
| 15 | 200DK19-15 | 72317-1111-0000 | HOLDER, R.BACK VIEW MIRROR | PORTAMANECILLA RH | 1 |
| 16 | 200DK19-16 | 72222-1111-0000 | CONNECTOR | PLACA DE SWITCH | 1 |
| 17 | 200DK19-17 | GB/T823-1998 | SCREW M4x12 | TORNILLO | 1 |
| 18 | 200DK19-18 | 72021-1111-0000 | FIX. THROTTLE | BASE CABLE DE GAS | 1 |
| 19 | 200DK19-19 | 72217-1111-0000 | HOLDER, L.BACK VIEW MIRROR | PORTAMANECILLA LH | 1 |
| 20 | 200DK19-20 | 72400-1111-0000 | CABLE ASSY, THROTTLE | CABLE ACELERADOR | 1 |
| 21 | 200DK19-21 | 72322-1111-0000 | PROTECTOR, CABLE | GUARDAPOLVO DE MANECILLA | 1 |
| 22 | 200DK19-22 | 72221-1111-0000 | PROTECTOR CABLE | GUARDAPOLVO DE MANECILLA | 1 |



PADLE CONTRALOR

PADLE CONTRALOR

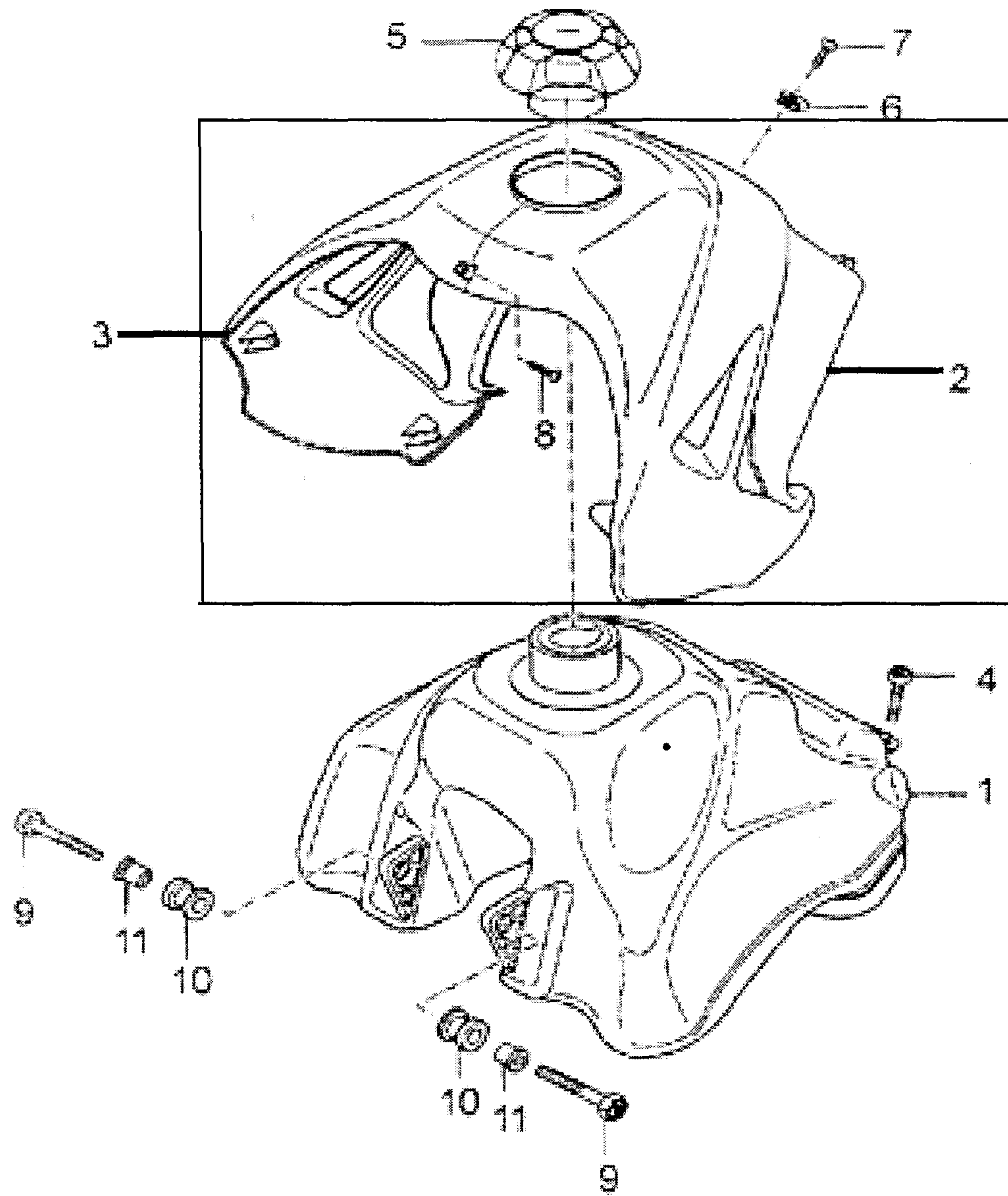
| No. | Codigo MASESA | Part No. | Description | Descripcion MASESA | Qty |
|-----|---------------|-----------------|--------------------------|----------------------------|-----|
| 1 | 200DK20-01 | 52100-1111-0000 | PEDAL COMP, RR. BRAKE | PATA DE FRENO | 1 |
| 2 | 200DK20-02 | 84600-1111-0000 | SWITCH, RR. BRAKE LAMP | SWITCH DE FRENO | 1 |
| 3 | 200DK20-03 | 52200-1111-0000 | ROD ASSY, RR. BRAKE | VARILLA DE FRENO | 1 |
| 4 | 200DK20-04 | GB/T97.1-1985 | WASHER 6 | WASHA | 2 |
| 5 | 200DK20-05 | 52203-1111-0000 | SPRING, RR. BRAKE ROD | RESORTE VARILLA DE FRENO | 1 |
| 6 | 200DK20-06 | 52204-1111-0000 | PIN, RR. BRAKE ROD | DADO VARILLA DE FRENO | 1 |
| 7 | 200DK20-07 | 52205-1111-0000 | ADJUST NUT | TUERCA DE AJUSTE | 1 |
| 8 | 200DK20-08 | 52208-1111-0000 | PIN | PIN | 1 |
| 9 | 200DK20-09 | GB/T91-2000 | COTTER PIN 2x20 | SEGURO | 1 |
| 10 | 200DK20-10 | 84602-1111-0000 | SPRING, RR. BRAKE SWITCH | RESORTE DE SWITCH DE FRENO | 1 |
| 11 | 200DK20-11 | 52001-1111-0000 | RETURN SPRING | RESORTE | 1 |
| 12 | 200DK20-12 | GB/T6187.1-2000 | NUT M10 | TUERCA | 1 |
| 13 | 200DK20-13 | 21200-1111-0000 | STARTING ARM | PATA DE ARRANQUE | 1 |
| 14 | 200DK20-14 | GB/T5783-2000 | BOLT M8x25 | TORNILLO PATA DE ARRANQUE | 1 |
| 15 | 200DK20-15 | 24400-1111-0000 | PADLE, GEAR SHIFT | PATA DE VELOCIDADES | 1 |
| 16 | 200DK20-16 | GB/T5783-2000 | BOLT M6x20 | TORNILLO | 1 |



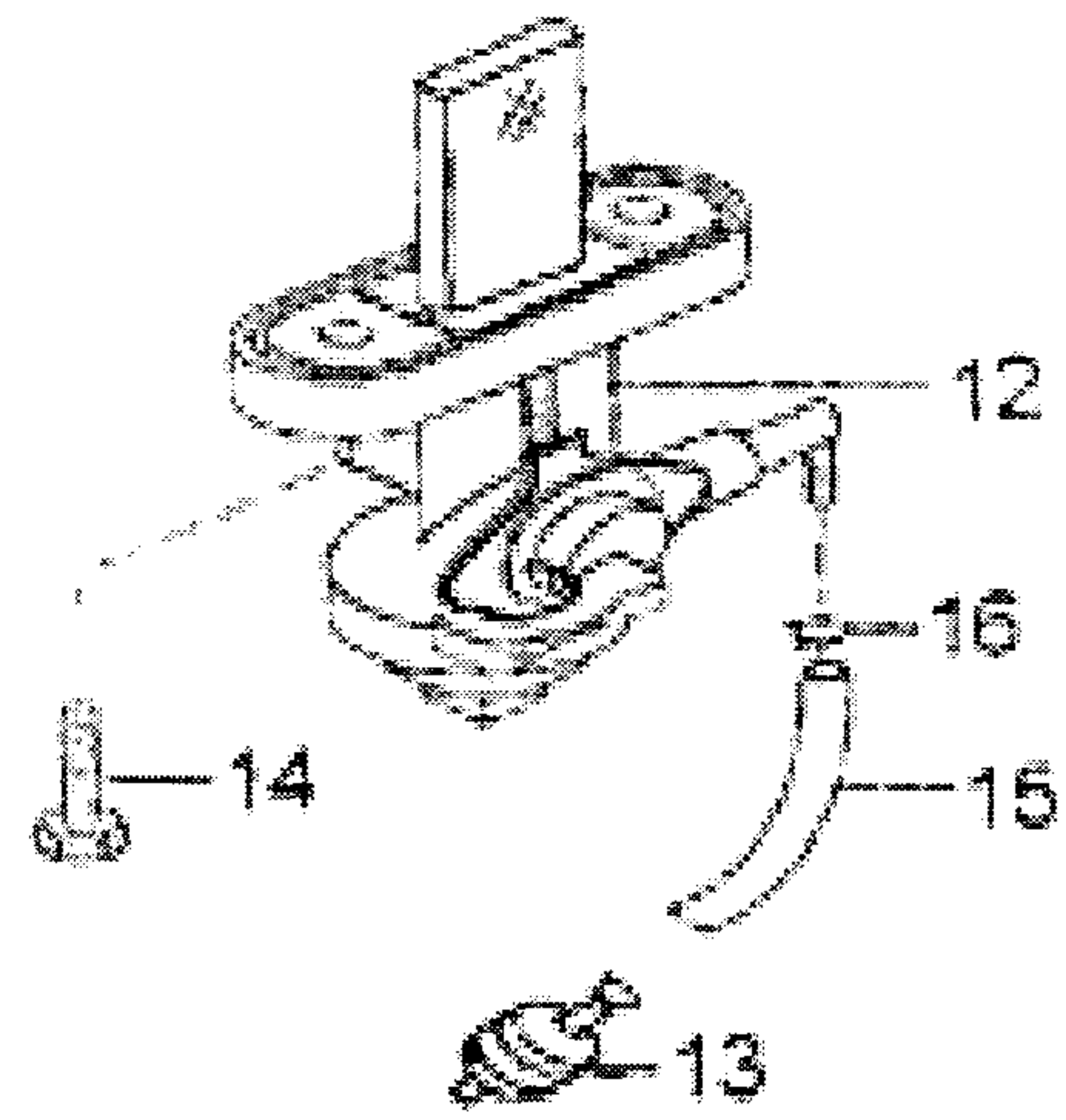
AIR CLEANER/MUFFLER

AIR CLEANER/MUFFLER

| No. | Codigo MASESA | Part No. | Description | Descripcion MASESA | Qty |
|-----|---------------|-----------------|--------------------------|----------------------------|-----|
| 1 | 200DK21-01 | 16101-1111-0000 | CASE, AIR CLEANER | COBERTOR FILTRO DE AIRE 1 | 1 |
| 2 | 200DK21-02 | 16111-1111-0000 | CAP COMP, AIR CLEANER | COBERTOR FILTRO DE AIRE 2 | 1 |
| 3 | 200DK21-03 | 16103-1111-0000 | CONNECTING PIPE | TUBO CONECTOR | 1 |
| 4 | 200DK21-04 | 16104-1111-0000 | INNER PIPE | ELEMENTO INTERNO | 1 |
| 5 | 200DK21-05 | 16106-1111-0000 | TILTER COMP, AIR CLEANER | EMPAQUE DE FILTRO | 1 |
| 6 | 200DK21-06 | 16107-1111-0000 | PRESS PLATE | TAPA FILTRO DE AIRE | 1 |
| 7 | 200DK21-07 | 16108-1111-0000 | FRAME COMP ,FILTER TRAP | CONO DE FILTRO | 1 |
| 8 | 200DK21-08 | 16111-1111-0000 | ROD | RODILLO | 1 |
| 9 | 200DK21-09 | 16139-1111-0000 | DAMPER | HULE | 3 |
| 10 | 200DK21-10 | 16149-1111-0000 | FLANGE WASHER | REMACHE | 3 |
| 11 | 200DK21-11 | 16160-1111-0000 | FR. FILTER ELEMENT | ELEMENTO FILTRO DE AIRE | 1 |
| 12 | 200DK21-12 | 16180-1111-0000 | CIRCLIP | SEGURO | 1 |
| 13 | 200DK21-13 | GB/T818-2000 | SCREW M6×12 | TORNILLO | 3 |
| 14 | 200DK21-14 | GB/T845-1985 | SCREW ST4.2×13 | TORNILLO | 4 |
| 15 | 200DK21-15 | GB/T6170-2000 | NUT M6 | TUERCA | 2 |
| 16 | 200DK21-16 | GB/T97.1-19850 | WASHER 6 | WASHA | 2 |
| 17 | 200DK21-17 | 16100-1111-0000 | AIR CLEANER | FILTRO DE AIRE COMPLETO | 1 |
| 18 | 200DK21-18 | 18000-1111-0000 | MUFFLER | ESCAPE COMPLETO | 1 |
| 19 | 200DK21-19 | 18117-1111-0000 | MUFFLER ASSY | ESCAPE SOLO | 1 |
| 20 | 200DK21-20 | 18030-1111-0000 | GASKET, MUFFLER | EMPAQUE DE ESCAPE | 1 |
| 21 | 200DK21-21 | 18104-1111-0000 | PRESS PLATE, CONNECTOR | PLACA CONECTORA | 1 |
| 22 | 200DK21-22 | GB/T923-1988 | NUT M6 | TUERCA | 2 |
| 23 | 200DK21-23 | GB/T16674-1996 | BOLT M8×12 | TORNILLO | 1 |
| 24 | 200DK21-24 | GB/T818-2000 | BOLT M8×16 | TORNILLO | 2 |
| 25 | 200DK21-25 | L3061-0000-0000 | SCREW M6×10 | TORNILLO | 4 |
| 26 | 200DK21-26 | 18003-1111-0000 | COVER, EXHAUST | PROTECTOR DE TUBO ESCAPE | 1 |
| 27 | 200DK21-27 | 18005-1111-0000 | PIPE EXHGUST | CURVA DE ESCAPE | 1 |
| 28 | 200DK21-28 | 18010-1111-0000 | CONNECTOR, EXHAUST | ABRAZEDARA | 1 |
| 29 | 200DK21-29 | 18004-1111-0000 | GASKET, EXHAUST PIPE | EMPAQUE CONECTOR DE ESCAPE | 1 |
| 30 | 200DK21-30 | GB/T93-1987 | SPRING WASHER 6 | WASHA | 4 |
| 31 | 200DK21-31 | 18001-1111-0000 | COVER, MUFFLER | PROTECTOR DE SILENCIADOR | 1 |



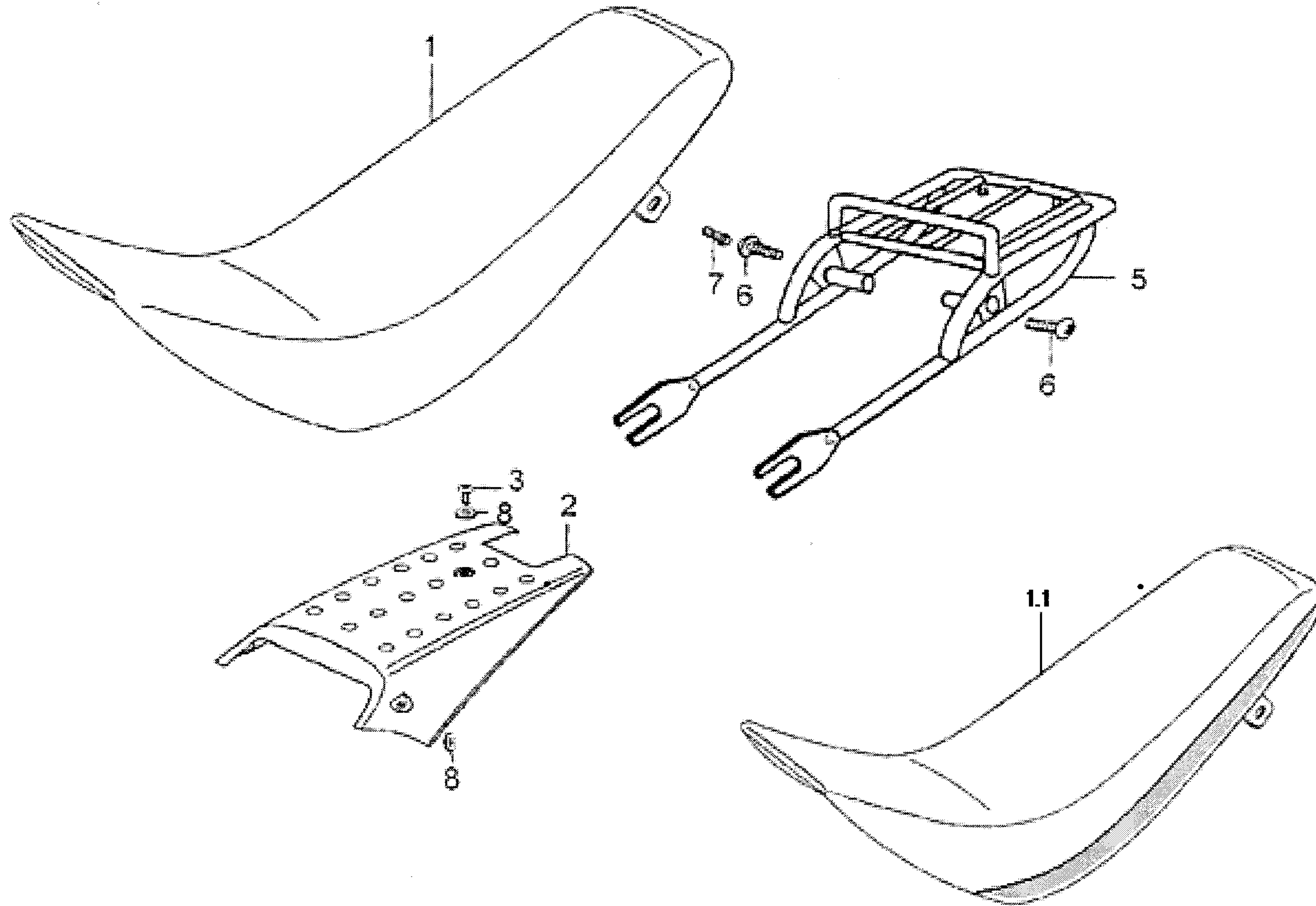
2.1 - 2.2



FUEL TANK/FUEL COCK

FUEL TANK/FUEL COCK

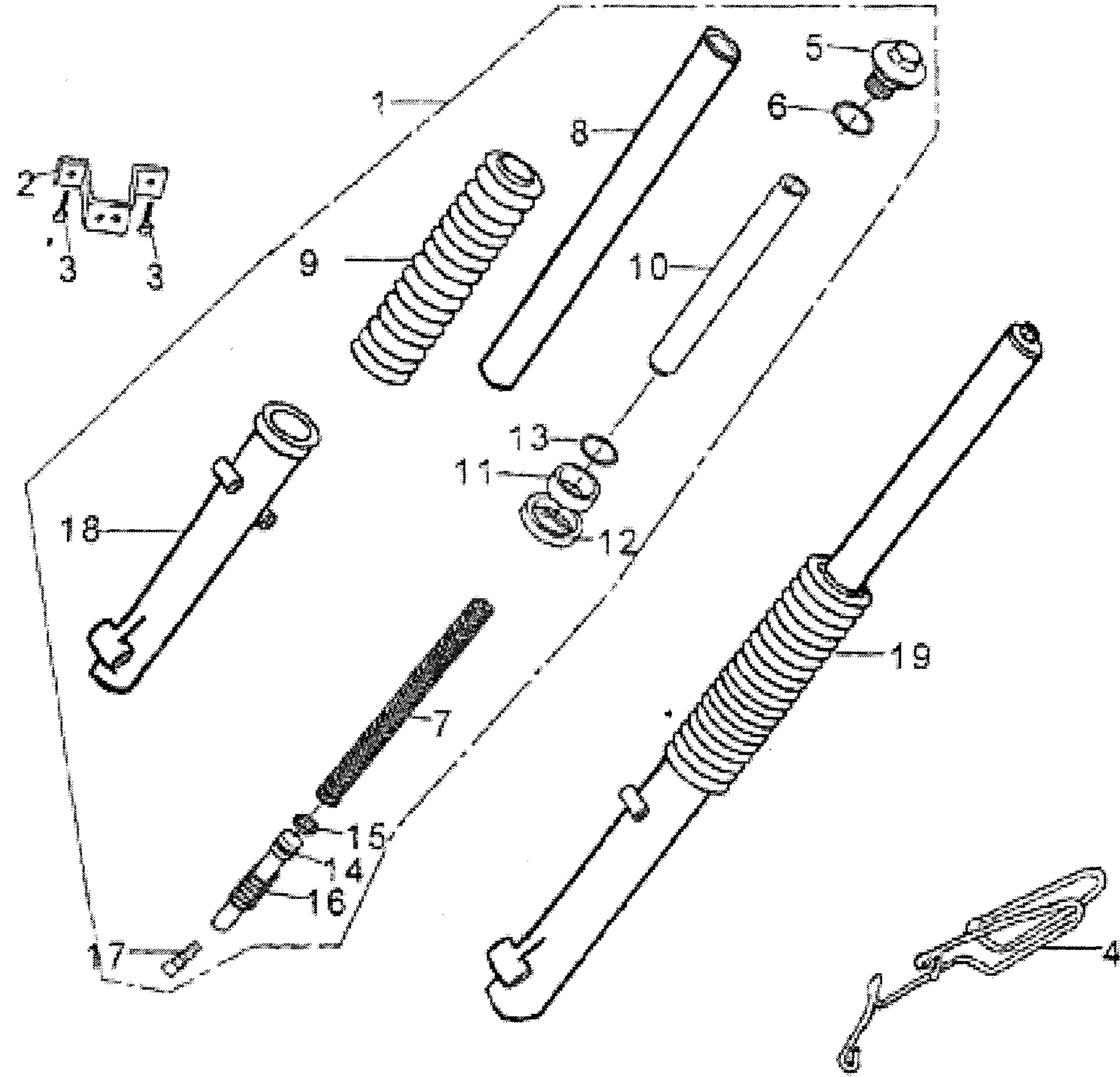
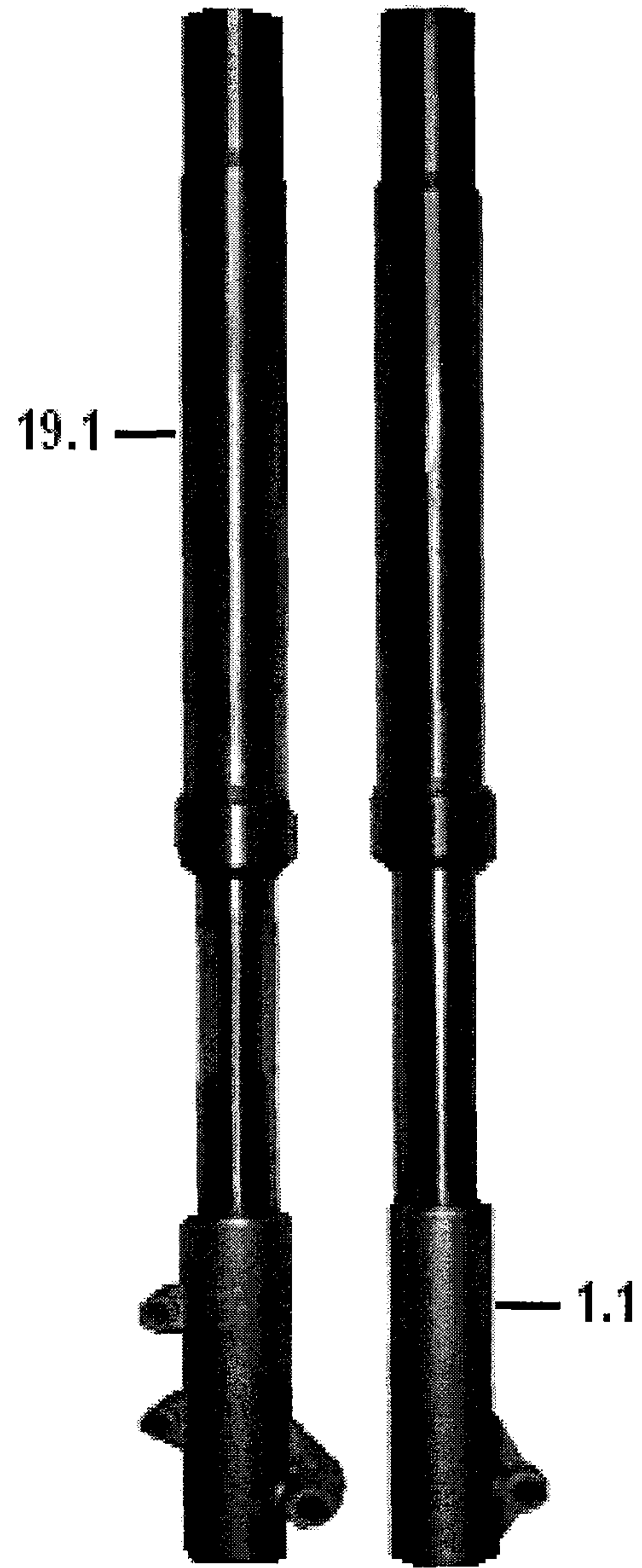
| No. | Codigo MASESA | Part No. | Description | Descripcion MASESA | Qty |
|-----|------------------|-----------------|---|--------------------------------------|-----|
| 1 | 200DK22-01 | 61100-1111-0000 | FUEL TANK | TANQUE DE GASOLINA | 1 |
| 2 | 200DK22-02 | 63374-1111-0000 | L. COVER, FUEL TANK | COBERTOR DE TANQUE IZQ., | 1 |
| 2.1 | 200DK22-02/M06RD | 63374-1111-0000 | TANK COVER RED (NEW MODEL 1 PIECE) | COBERTOR DE TANQUE COMPLETO ROJO | 1 |
| 2.2 | 200DK22-02/M06YW | 63374-1111-0000 | TANK COVER YELLOW (NEW MODEL 1 PIECE) | COBERTOR DE TANQUE COMPLETO AMARILLO | 1 |
| 3 | 200DK22-03 | 63375-1111-0000 | R. COVER, FUEL TANK | COBERTOR DE TANQUE DERECHO | 1 |
| 4 | 200DK22-04 | GB/T16674-1996 | BOLT M6×16 | TORNILLO | 4 |
| 5 | 200DK22-05 | 61110-1111-0000 | LOCK, FUEL TANK | TAPON TANQUE DE GASOLINA | 1 |
| 6 | 200DK22-06 | 63378-1111-000 | CLIP | GRAPA | 1 |
| 7 | 200DK22-07 | GB/T845-1985 | SCREW ST4.8×13 | TORNILLO | 1 |
| 8 | 200DK22-08 | GB/T845-1985 | SCREW ST2.9×9.5 | TORNILLO | 1 |
| 9 | 200DK22-09 | GB/T5783-1986 | BOLT M6×20 | TORNILLO | 2 |
| 10 | 200DK22-10 | 61111-1111-0000 | RUBBER DAMPER | HULE DE TANQUE | 2 |
| 11 | 200DK22-11 | 61113-1111-0000 | SPACER | ESPACIADOR | 2 |
| 12 | 200DK22-12 | 61150-1111-0000 | COCK ASSY | VALVE DE GASOLINA | 1 |
| 13 | 200DK22-13 | 61180-F121-0000 | FUEL FILTER | FILTRO DE GASOLINA | 1 |
| 14 | 200DK22-14 | GB/T818-2000 | SCREW M6×12 | TORNILLO | 2 |
| 15 | 200DK22-15 | 61302-0000-0000 | FUEL HOSE 8×100 | MANGUERA | 2 |
| 16 | 200DK22-16 | 91109-F121-0000 | CLIP, FUEL HOSE Ø8 | SEGURO | 4 |



SEAT

SEAT

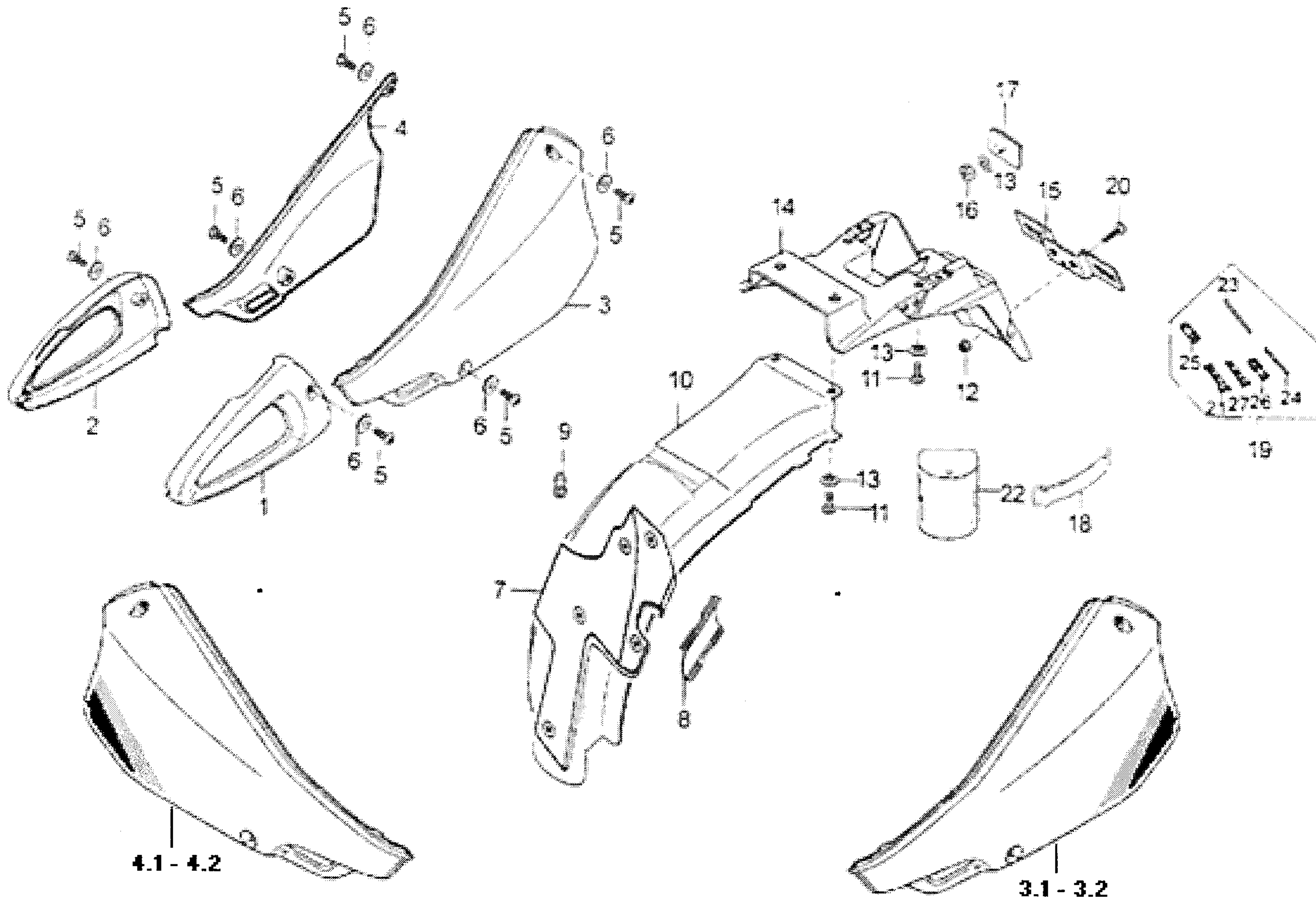
| No. | Codigo MASESA | Part No. | Description | Descripcion MASESA | Qty |
|-----|----------------|-----------------|-------------|--------------------|-----|
| 1 | 200DK23-01 | 41100-I111-0000 | SEAT | SILLON | 1 |
| 1.1 | 200DK23-01/M06 | 30102-I006-0000 | SEAT | SILLON MODEL 2006 | 1 |
| 2 | 200DK23-02 | 63601-I111-0000 | TAIL COVER | COLA TRASERA | 1 |
| 3 | 200DK23-03 | GB/T70.1-2000 | SCREW M6×16 | TORNILLO | 1 |
| 4 | 200DK23-04 | 63306-G129-0000 | RUBBER RING | HULE DE SILLON | 1 |
| 5 | 200DK23-05 | 42200-I111-0000 | GOODS FRAME | PARRILLA TRASERA | 1 |
| 6 | 200DK23-06 | GB/T16674-1996 | BOLT M8×50 | TORNILLO | 2 |
| 7 | 200DK23-07 | GB/T16674-1996 | BOLT M8×16 | TORNILLO | 2 |
| 8 | 200DK23-08 | GB/T97.1-1985 | WASHER 8 | WASHA | 2 |



FR.DAMPER

FR.DAMPER

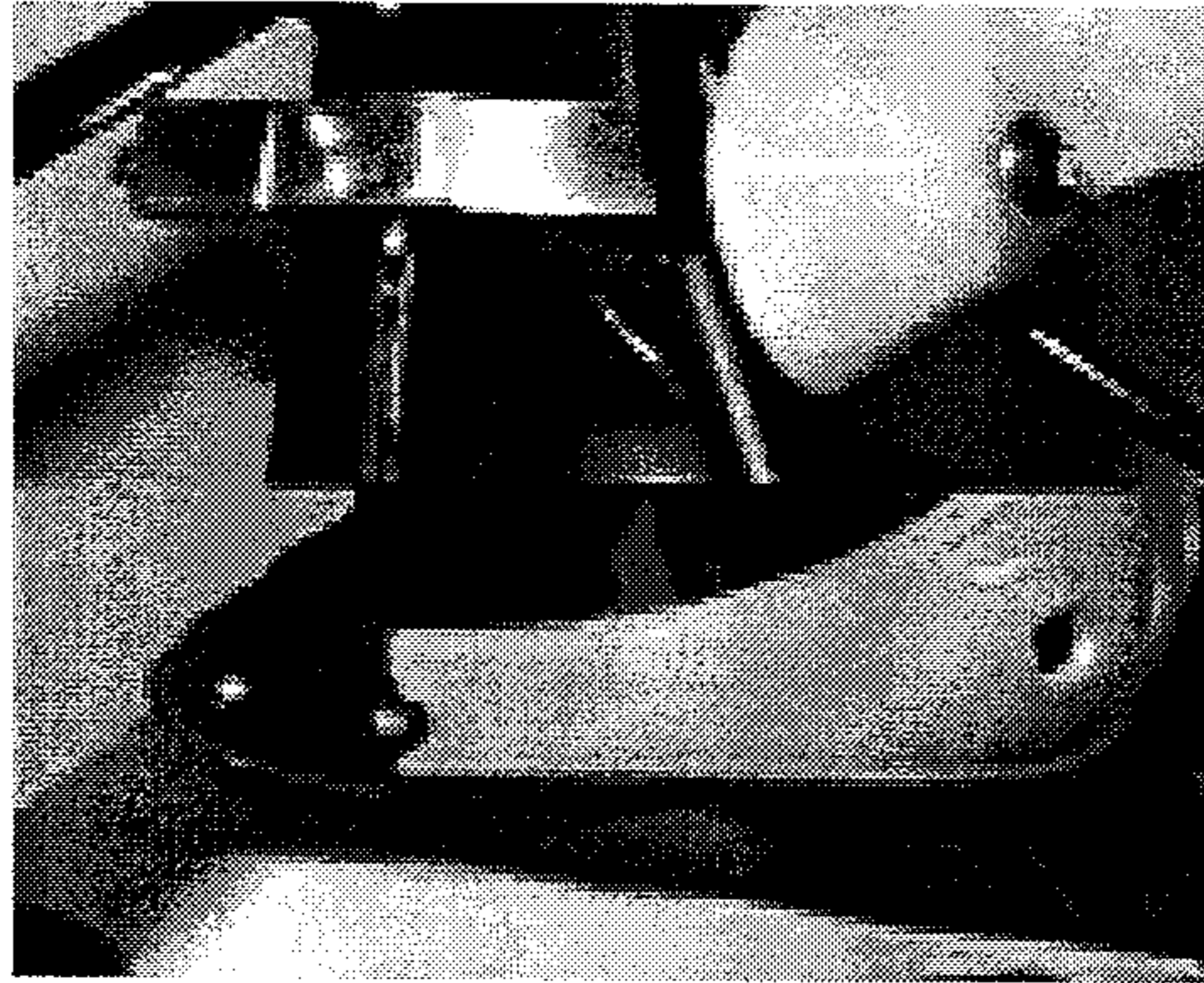
| No. | Codigo MASESA | Part No. | Description | Descripcion MASESA | Qty |
|------|----------------|-----------------|--------------------------------|-------------------------|-----|
| 1 | 200DK24-01 | 34200-1111-0000 | DAMPER ASSY FR. FORK.R. | BARRA COMPLETA RH | 1 |
| 1.1 | 200DK24-01/M06 | 34200-1383-0000 | FRONT SHOCK ABSORBER R. UPSIDE | BARRA INVERTIDA RH | 1 |
| 2 | 200DK24-02 | 63106-1111-0000 | BRACKET FR. LICENSE. PLATE | PLACA FRONTAL | 1 |
| 3 | 200DK24-03 | GB/T5783-1986 | BOLT M6×16 | TORNILLO | 1 |
| 4 | 200DK24-04 | 34101-1111-0000 | CLAMP | GUIA DE CABLE | 4 |
| 5 | 200DK24-05 | 34202-1111-0000 | END COVER | TORNILLO SUPERIOR | 1 |
| 6 | 200DK24-06 | 34203-1111-0000 | O-RING | ORING | 2 |
| 7 | 200DK24-07 | 34204-1111-0000 | SPRING | RESORTE INTERNO | 2 |
| 8 | 200DK24-08 | 34230-1111-0000 | FR.FORK COMP | BARRA INTERNA | 2 |
| 9 | 200DK24-09 | 34205-1111-0000 | DUST SEAL | GUARDAPOLVO DE BARRA | 2 |
| 10 | 200DK24-10 | 34240-1111-0000 | PISTION GUIDE | PISTON DE BARRA | 2 |
| 11 | 200DK24-11 | 34207-1111-0000 | OIL SEAL | RETENEDOR DE BARRA | 2 |
| 12 | 200DK24-12 | 34208-1111-0000 | SPRING | RESORTE | 2 |
| 13 | 200DK24-13 | 34209-1111-0000 | CIRCLIP | SEGURO | 2 |
| 14 | 200DK24-14 | 34211-1111-0000 | SPACER | ESPACIADOR | 2 |
| 15 | 200DK24-15 | 34214-1111-0000 | PISTON RING | RESORTE PISTON DE BARRA | 2 |
| 16 | 200DK24-16 | 34215-1111-0000 | SPRING | RESORTE | 2 |
| 17 | 200DK24-17 | GB/T70.1-2000 | BOLT M8×30 | TORNILLO | 2 |
| 18 | 200DK24-18 | 34212-1111-0100 | LOWER PIPE,R (F.DISK BRAKE) | FUNDA DE BARRA | 2 |
| 19 | 200DK24-19 | 34100-1111-0000 | DAMPER ASSY FR.FORK.L | BARRA LH COMPLETA | 1 |
| 19.1 | 200DK24-19/M06 | 34100-1383-0000 | FORNT SHOCK ABOSRBER,L UPSIDE | BARRA INVERTIDA LH | 1 |



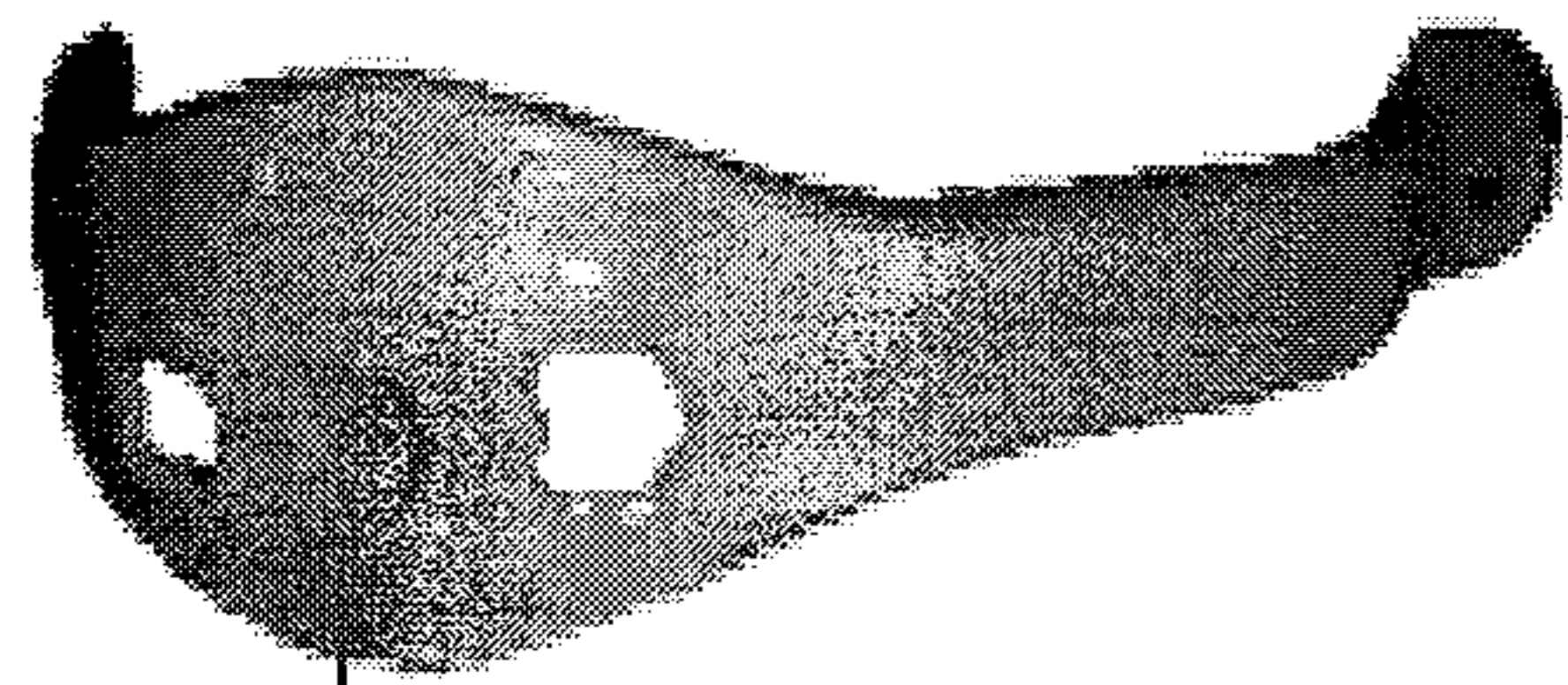
BODY COVER

BODY COVER

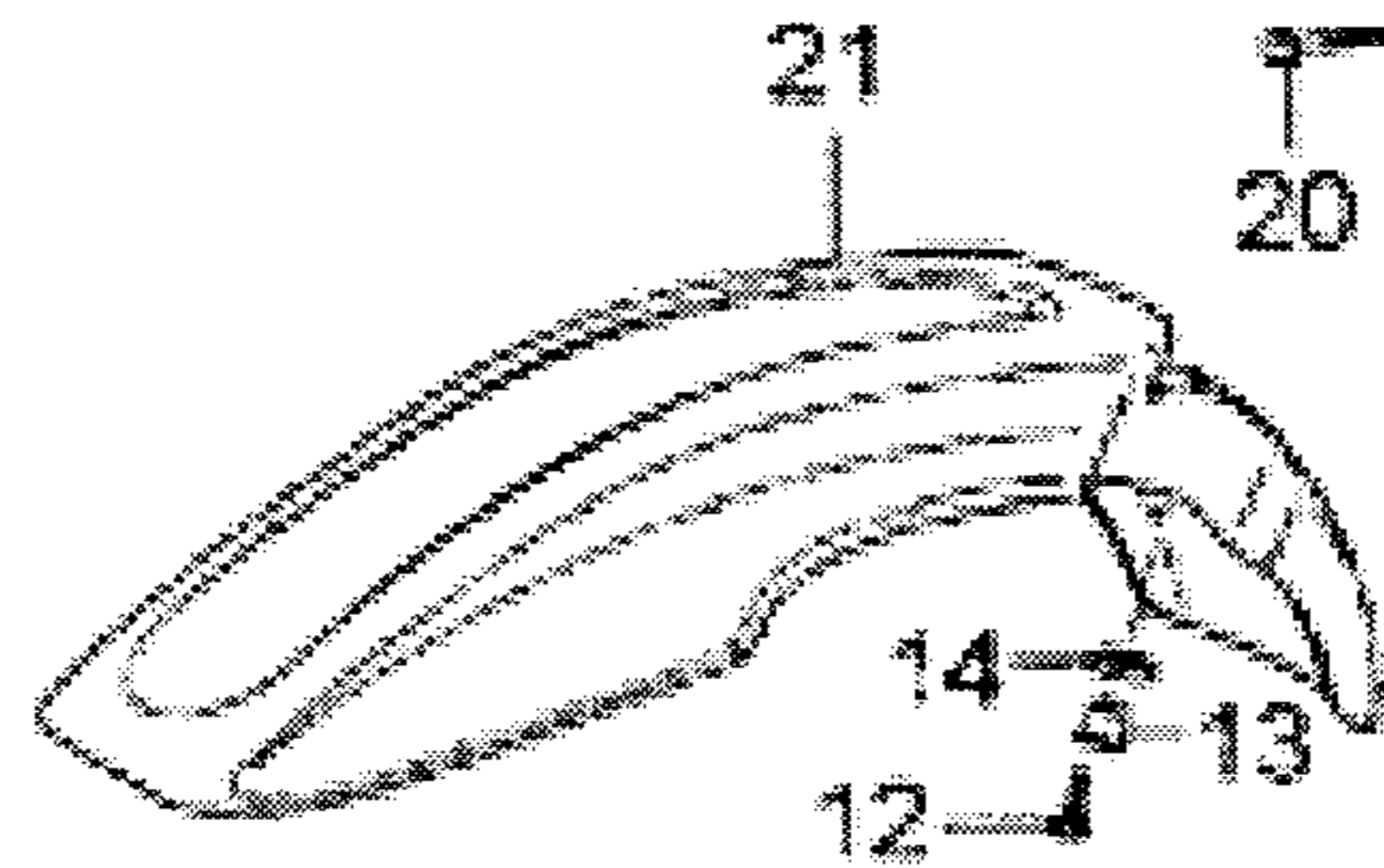
| No. | Codigo MASESA | Part No. | Description | Descripcion MASESA | Qty |
|-----|------------------|-----------------|-----------------------------|------------------------------|-----|
| 1 | 200DK25-01 | 63371-1111-0000 | COVER FR.L | COVERTOR LH | 1 |
| 2 | 200DK25-02 | 63372-1111-0000 | COVER FR.R | COVERTOR RH | 1 |
| 3 | 200DK25-03 | 63301-1111-0000 | L. SIDE COVER | TAPADERA LATERAL LH | 1 |
| 3.1 | 200DK25-03/M06RD | 63301-1111-0000 | L. SIDE COVER | TAPADERA LATERAL LH ROJO | 1 |
| 3.2 | 200DK25-03/M06YW | 63301-1111-0000 | L. SIDE COVER | TAPADERA LATERAL LH AMARILLO | 1 |
| 4 | 200DK25-04 | 63332-1111-0000 | R. SIDE COVER | TAPADERA LATERAL RH | 1 |
| 4.1 | 200DK25-04/M06RD | 63302-1111-0000 | R. SIDE COVER | TAPADERA LATERAL RH ROJO | |
| 4.2 | 200DK25-04/M06YW | 63302-1111-0000 | R. SIDE COVER | TAPADERA LATERAL RH AMARILLO | |
| 5 | 200DK25-05 | GB/T818-2000 | SCREW M6×12 | TORNILLO | 6 |
| 6 | 200DK25-06 | 63306-G129-0000 | RUBBER RING | HULE DE TAPADERA | 6 |
| 7 | 200DK25-07 | 63217-1111-0000 | HEAT PROTECT PLATE | PLACA PROTECTORA | 1 |
| 8 | 200DK25-08 | 63213-1111-0000 | RUBBER CLIP | CLIP | 1 |
| 9 | 200DK25-09 | 63212-1111-0000 | RUBBER RING | HULE | 1 |
| 10 | 200DK25-10 | 63201-1111-0000 | RR. FENDER FR | LODERA TRASERA | 1 |
| 11 | 200DK25-11 | GB/T5783-1986 | BOLT M6×16 | TORNILLO | 4 |
| 12 | 200DK25-12 | GB/T6170-2000 | NUT M6 | TUERCA | 3 |
| 13 | 200DK25-13 | GB/T96-1985 | WASHER 6 | WASHA | 7 |
| 14 | 200DK25-14 | 63202-1111-0000 | RR. FENDER RR | PORTAPLACA | 1 |
| 15* | 200DK25-15 | 63206-1111-0000 | BRACKET RR. LICENSE PLATE • | METAL DE PLACA | 1 |
| 16 | 200DK25-16 | GB/T6170-2000 | NUT M6 | TUERCA | 1 |
| 17 | 200DK25-17 | 85830-1138-0000 | RR. REFLECTOR | REFLECTOR | 1 |
| 18 | 200DK25-18 | 08214-0000-0000 | BAND, TOOL BOX 220 | CINCHO DE HERRAMIENTAS | 1 |
| 19 | 200DK25-19 | 06000-1111-0000 | TOOLS | HERRAMIENTAS | 1 |
| 20 | 200DK25-20 | GB/T16674-1996 | BOLT M6×16 | TORNILLO | 1 |
| 21 | 200DK25-21 | GB/T4393-84 | SPANNER 12×14 | LLAVE DE TUERCA | 1 |
| 22 | 200DK25-22 | 06020-1111-0000 | TOOL BAG | ESTUCHE DE HERRAMIENTAS | 1 |
| 23 | 200DK25-23 | 06004-1111-0000 | WRENCH BAR | BARRA | 1 |
| 24 | 200DK25-24 | 06005-1111-0000 | DOUBBLE END SCREW DRIVER | DESARMADOR | 1 |
| 25 | 200DK25-25 | 06001-1111-0000 | WRENCH | LLAVE DE CANDELA | 1 |
| 26 | 200DK25-26 | 06010-1111-0000 | CRIP | MANGO DE DESARMADOR | 1 |
| 27 | 200DK25-27 | GB/T4393-84 | SPANNER 8×10 | LLAVE DE TUERCA | 1 |



29



27 - 27.1

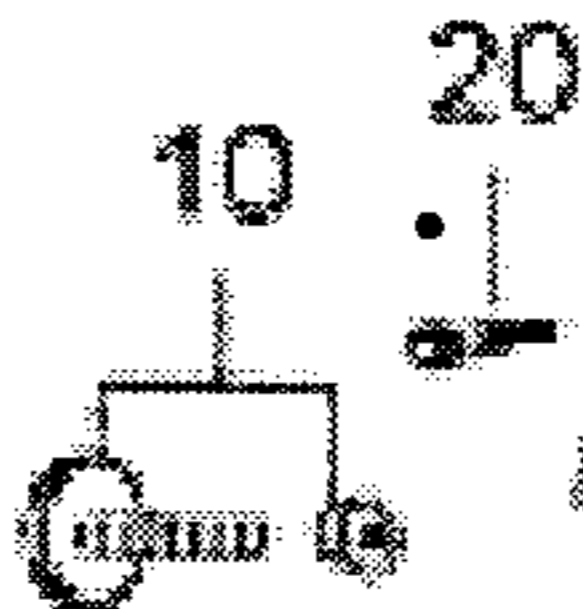


12

14

13

21

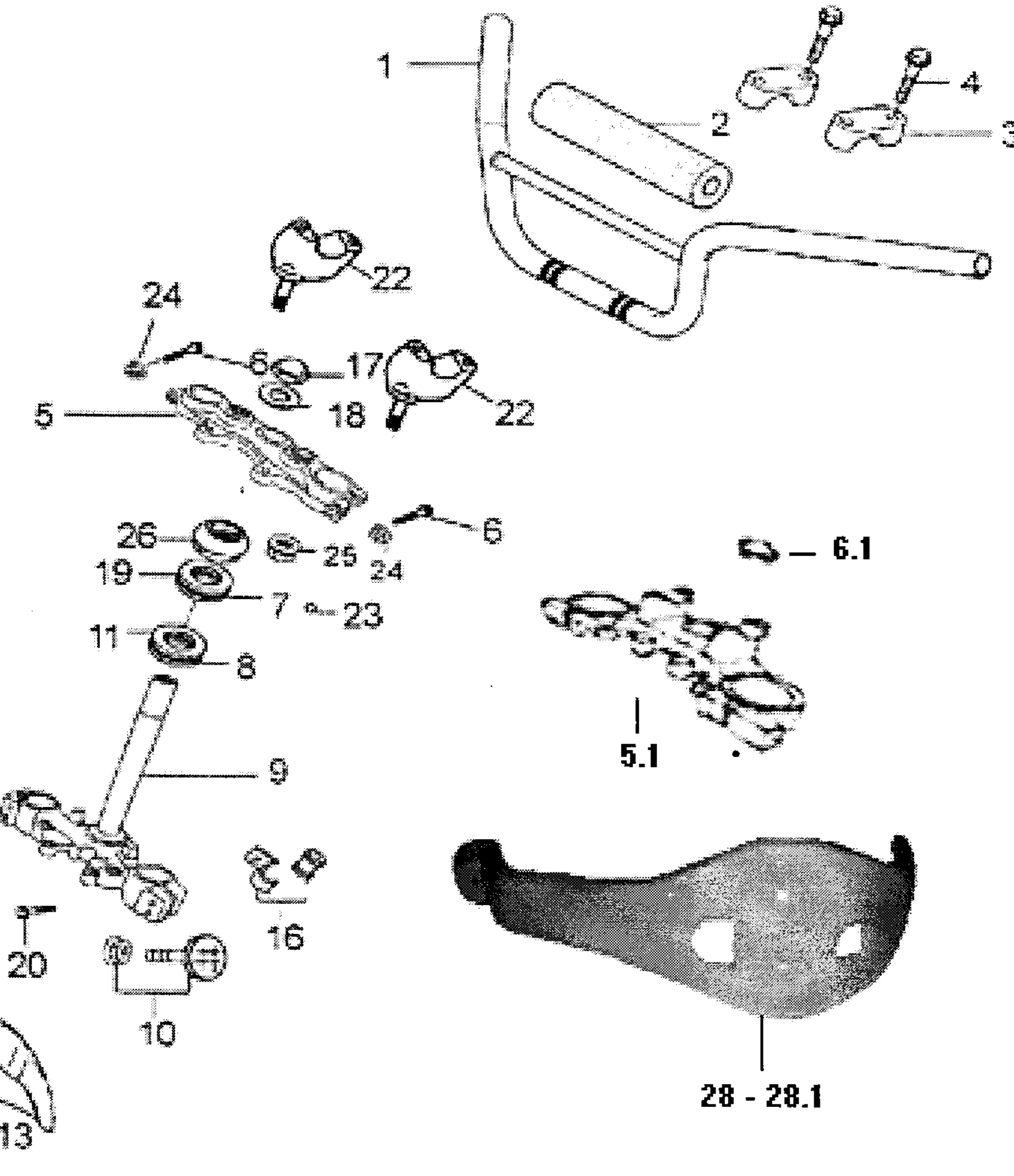


10

20

20

10



1

6.1

5.1

28 - 28.1

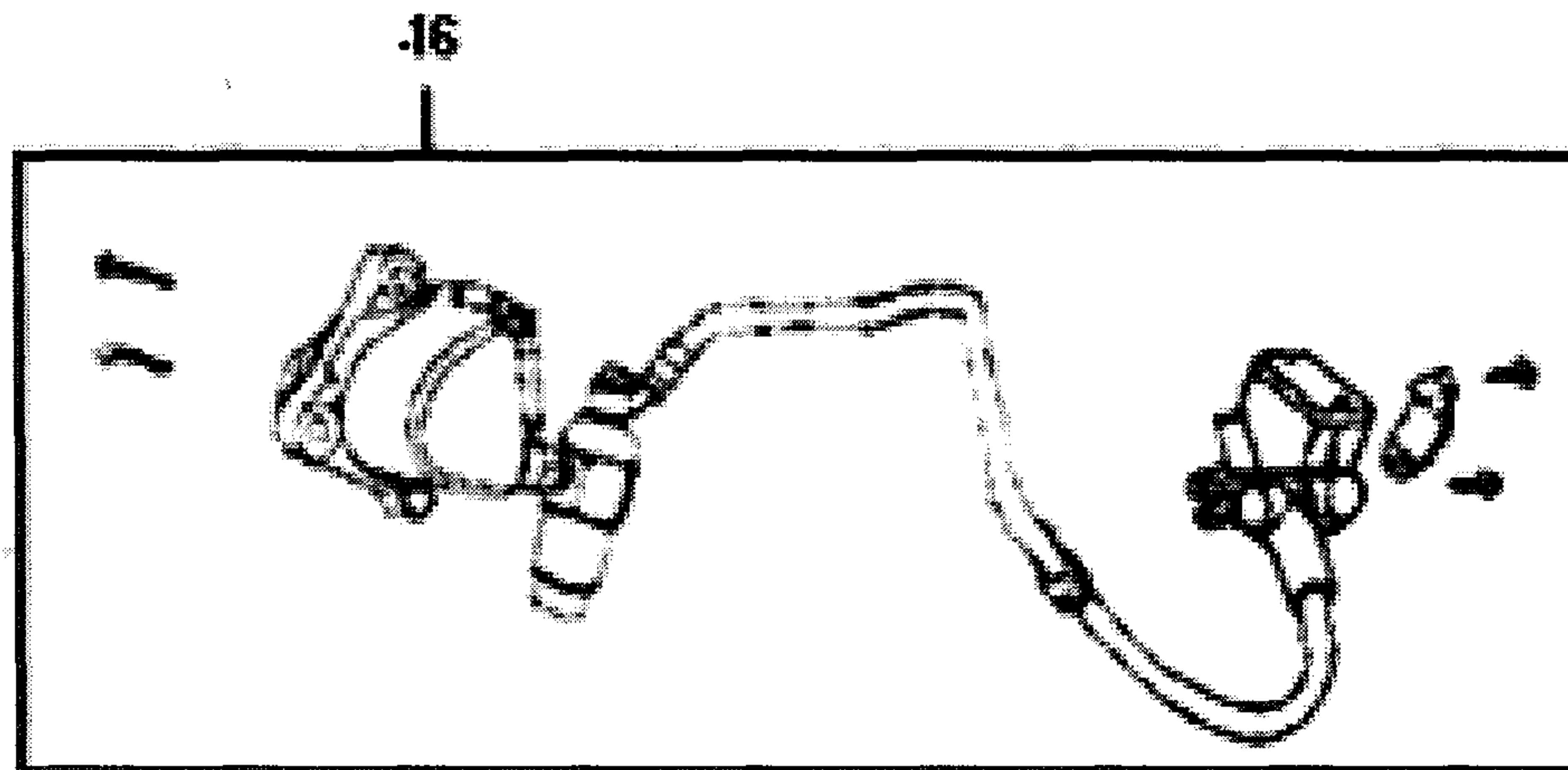
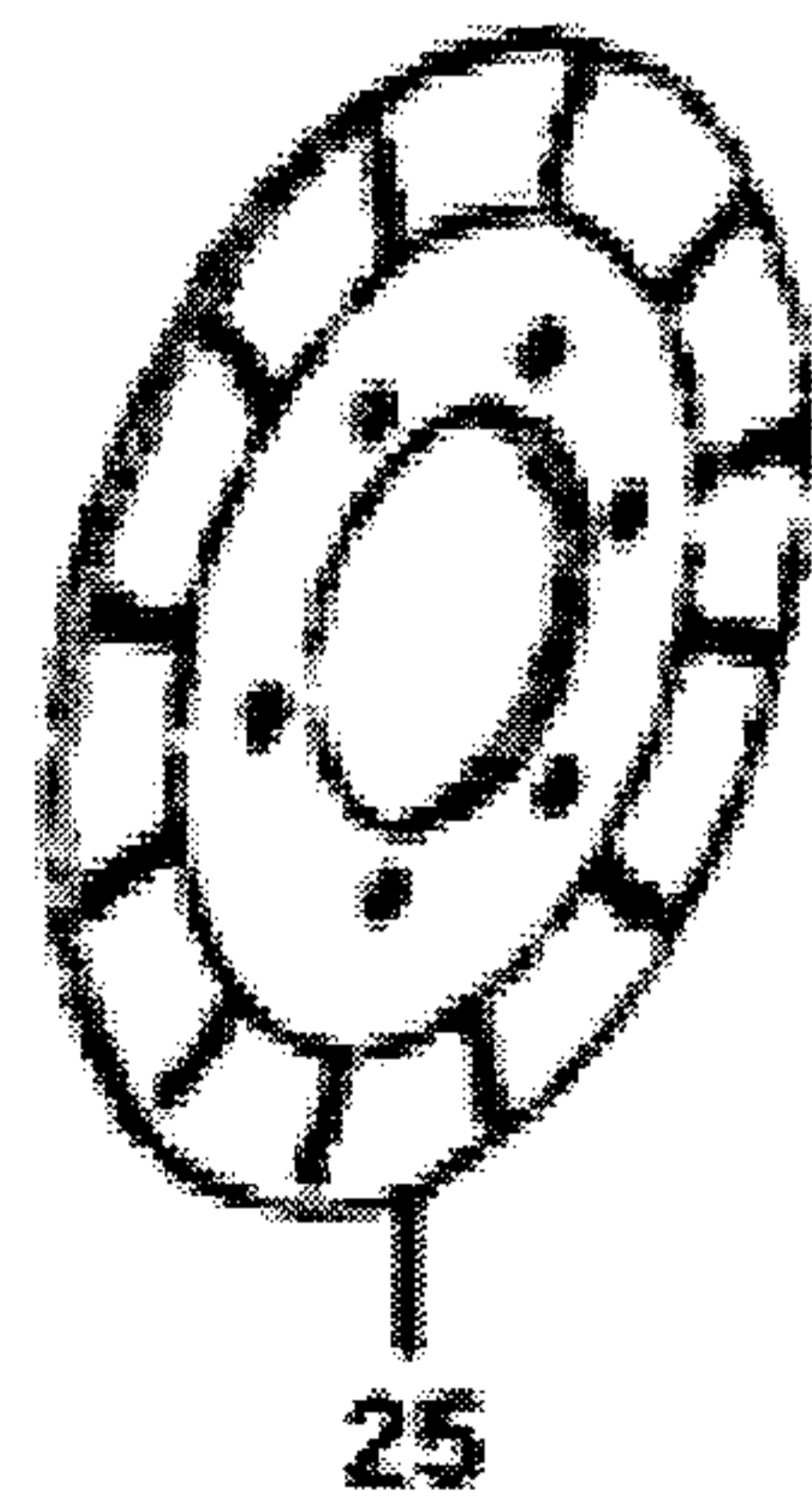
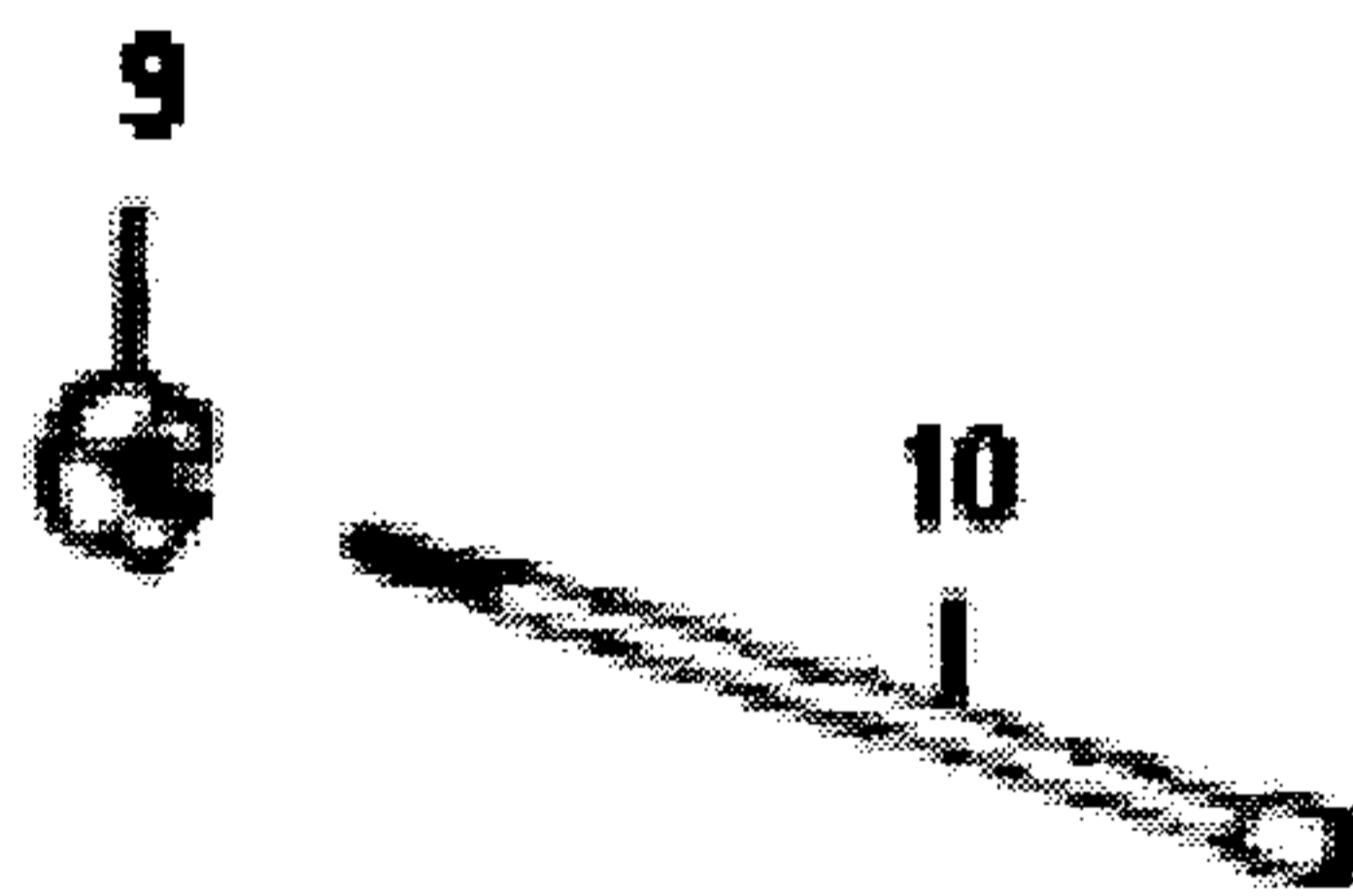
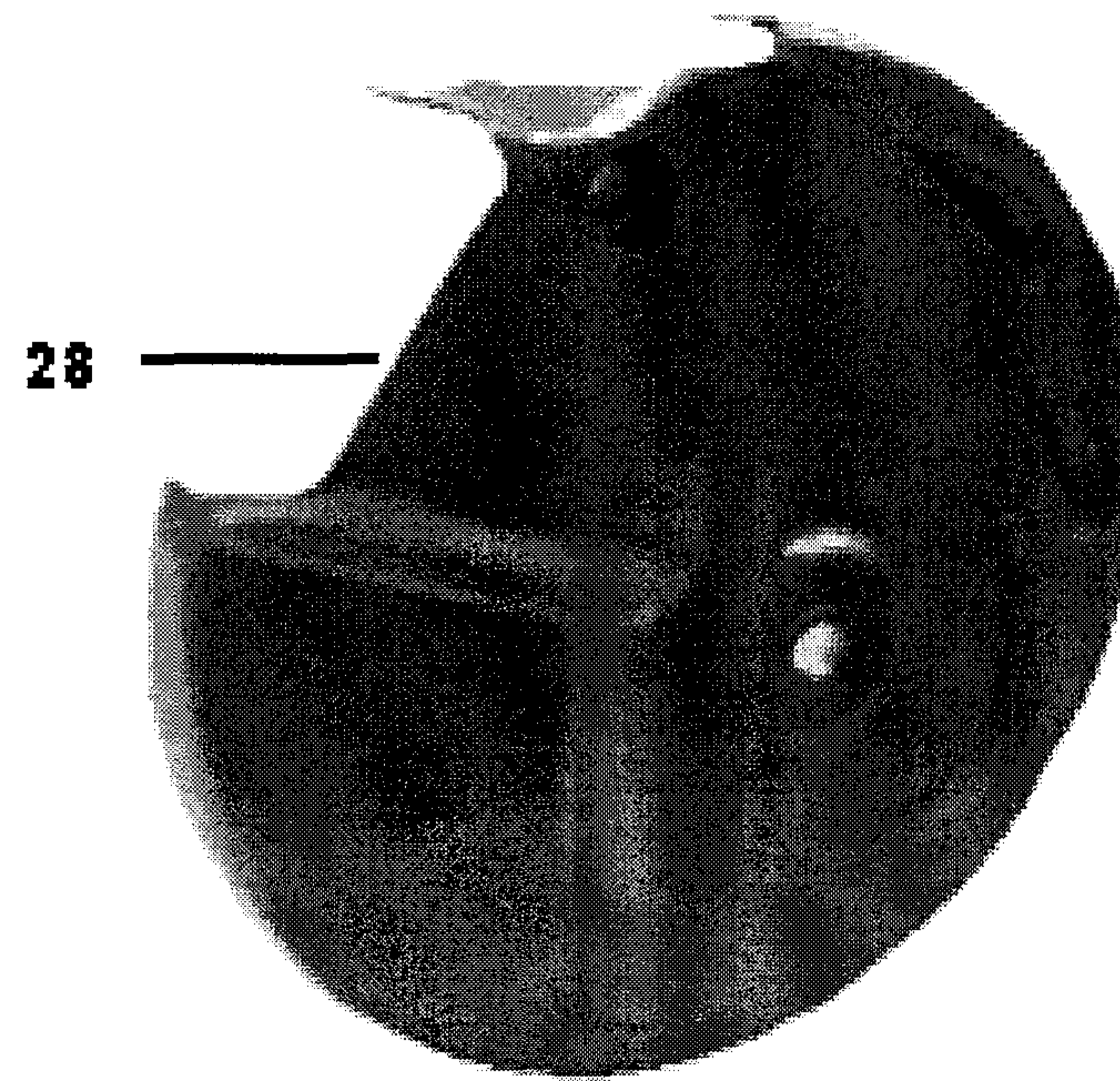
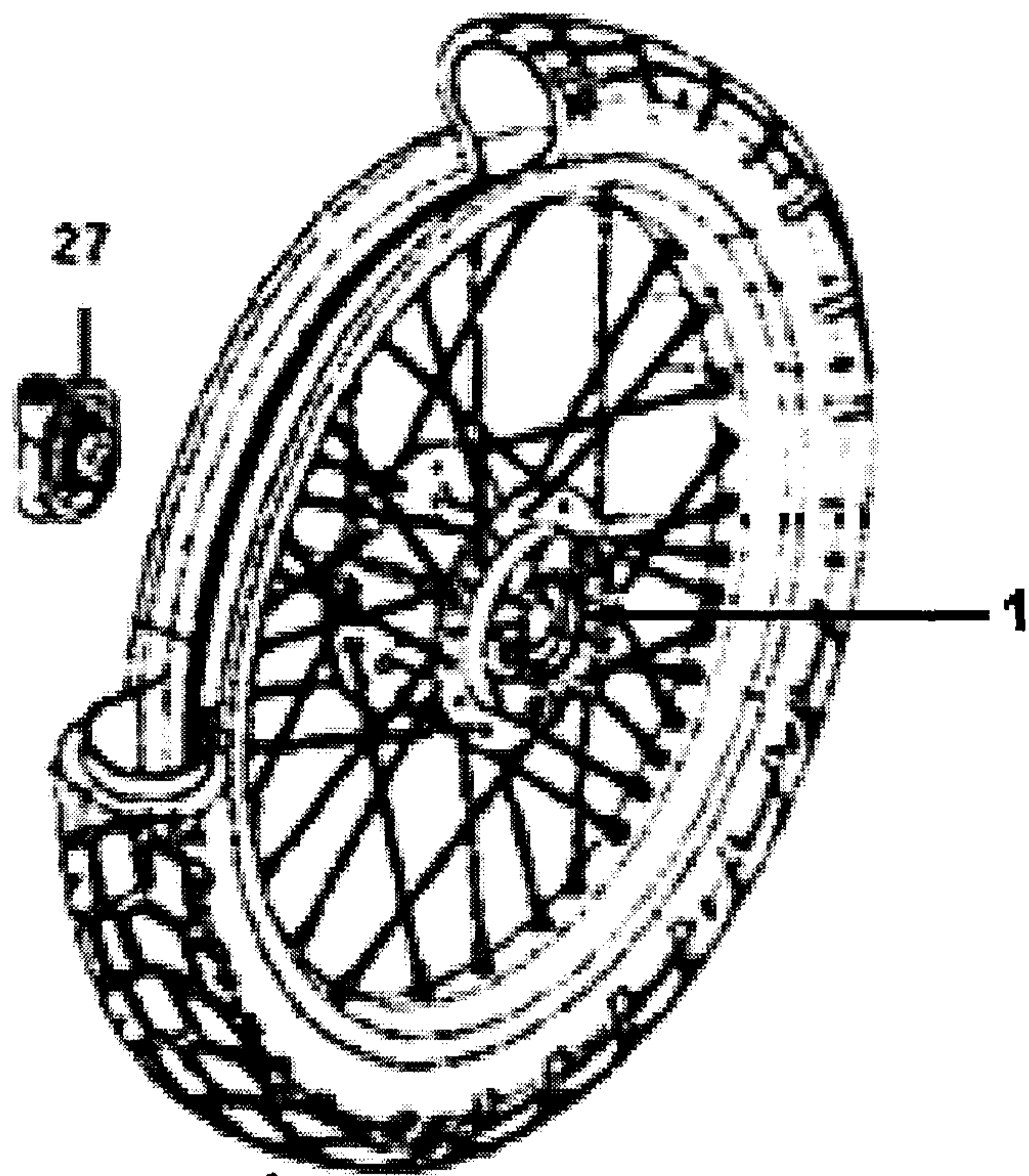
HANDLE BAR/ STEERING STEM

HANDLE BAR/ STEERING STEM

| No. | Codigo MASESA | Part No. | Description | Descripcion MASESA | Qty |
|------|------------------|-----------------|-----------------------------|---------------------------------|-----|
| 1 | 200DK26-01 | 72100-1111-0000 | HANDLE BAR COMP | TIMON | 1 |
| 2 | 200DK26-02 | 72143-1111-0000 | PAD, CROSS BAR | COBERTOR DE TIMON | 1 |
| 3 | 200DK26-03 | 72109-1111-0000 | HOLDER, HANDLE BAR | ABRAZADERA DE TIMON SUPERIOR | 2 |
| 4 | 200DK26-04 | GB/T5487-1986 | BOLT M8x35 | TORNILLO | 4 |
| 5 | 200DK26-05 | 71101-1111-0000 | UPPER BRACKET, FR. FORK | BASE DE TIMON | 1 |
| 5.1 | 200DK26-05/M06 | 72105-1111-0000 | UPPER CONNECTING PLANE | BASE DE TIMON | 1 |
| 6 | 200DK26-06 | GB/T16674-1996 | BOLT M8x55 | TORNILLO | 2 |
| 6.1 | 200DK26-06/M06 | S7025-0000-0000 | BOLT M8X35 | TORNILLO DE T DE BARRAS | 1 |
| 7 | 200DK26-07 | 71203-1111-0000 | UPPER COLLAR BEARING | CUBETA SUPERIOR | 1 |
| 8 | 200DK26-08 | 71202-1111-0000 | LOWER RACE BEARING | CUBETA INFERIOR | 1 |
| 9 | 200DK26-09 | 71110-1111-0000 | STEERING STEM ASSY | T DE BARRAS | 1 |
| 10 | 200DK26-10 | 85850-1138-0000 | FR. REFLECTOR | TORNILLO | 2 |
| 11 | 200DK26-11 | 71204-1111-0000 | LOWER COLLAR BEARING | CUNA INFERIOR DE MUNICIONES | 1 |
| 12 | 200DK26-12 | S3030-0000-0000 | BOLT M6x20 | TORNILLO | 3 |
| 13 | 200DK26-13 | 63115-1111-0000 | SPACER, FR. FENDER | ESPACIADOR DE LODERA | 3 |
| 14 | 200DK26-14 | 63114-1111-0000 | RUBBER RING, FR. FENDER | HULE DE LODERA | 3 |
| 15 | 200DK26-15 | 71105-1111-0000 | NUT STEERING STEM | TUERCA | 1 |
| 16 | 200DK26-16 | 72501-1111-0000 | CLAMP | ABRAZADERA | 1 |
| 17 | 200DK26-17 | 71102-1111-0000 | NUT STEERING UPPER | TUERCA DE T BARRAS | 1 |
| 18 | 200DK26-18 | 71103-1111-0000 | PLANE WASHER | WASHA | 1 |
| 19 | 200DK26-19 | 71201-1111-0000 | UPPER RACE BEARING | CUNA DE TIMON INFERIOR | 1 |
| 20 | 200DK26-20 | GB/T16674-1996 | BOLT M8x35 | GUARDABARRO DER | 2 |
| 21 | 200DK26-21 | 63104-1111-0000 | FR. FENDER | LODERA DELANTERA | 1 |
| 21.1 | 200DK26-21/M06YW | 63310-1111-0000 | FR. FENDER W/COLOR | LODERA DELANTERA AMARILLO | |
| 21.2 | 200DK26-21/M06RD | 63310-1111-0000 | FR. FENDER W/COLOR | LODERA DELANTERA ROJO | |
| 22 | 200DK26-22 | 72117-1111-0000 | FIX. HANDLE BAR | ABRAZADERA DE TIMON INFERIOR | 2 |
| 23 | 200DK26-23 | GB/T308 | STEEL BALL 3/16" | MUNICIONES | 40 |
| 24 | 200DK26-24 | GB/T6177.2-2000 | NUT M8 | TUERCA | 2 |
| 25 | 200DK26-25 | GB/T6187.1-2000 | NUT M8 | TUERCA | 2 |
| 26 | 200DK26-26 | 71107-1111-0000 | DUATPROOF | TUERCA SUPERIOR DE T DE BARRAS | 1 |
| 27 | 200DK26-27/M06RD | 20207-1006-0000 | HAND COVER LH | PROTECTOR DE PUÑO LH ROJO | 1 |
| 27.1 | 200DK26-27/M06YW | 20207-1006-0000 | HAND COVER LH | PROTECTOR DE PUÑO LH AMARILLO | 1 |
| 28 | 200DK26-28/M06RD | 20208-1006-0000 | HAND COVER RH | PROTECTOR DE PUÑO RH ROJO | 1 |
| 28.1 | 200DK26-28/M06YW | 20208-1006-0000 | HAND COVER RH | PROTECTOR DE PUÑO RH AMARILLO | 1 |
| 29 | 200DK26-29/M06 | 30102-1006-0000 | HAND COVER INSTALLATION KIT | KIT DE INSTALACION DE PROTECTOR | 1 |

FR.WHEEL/FR.DISK BRAKE

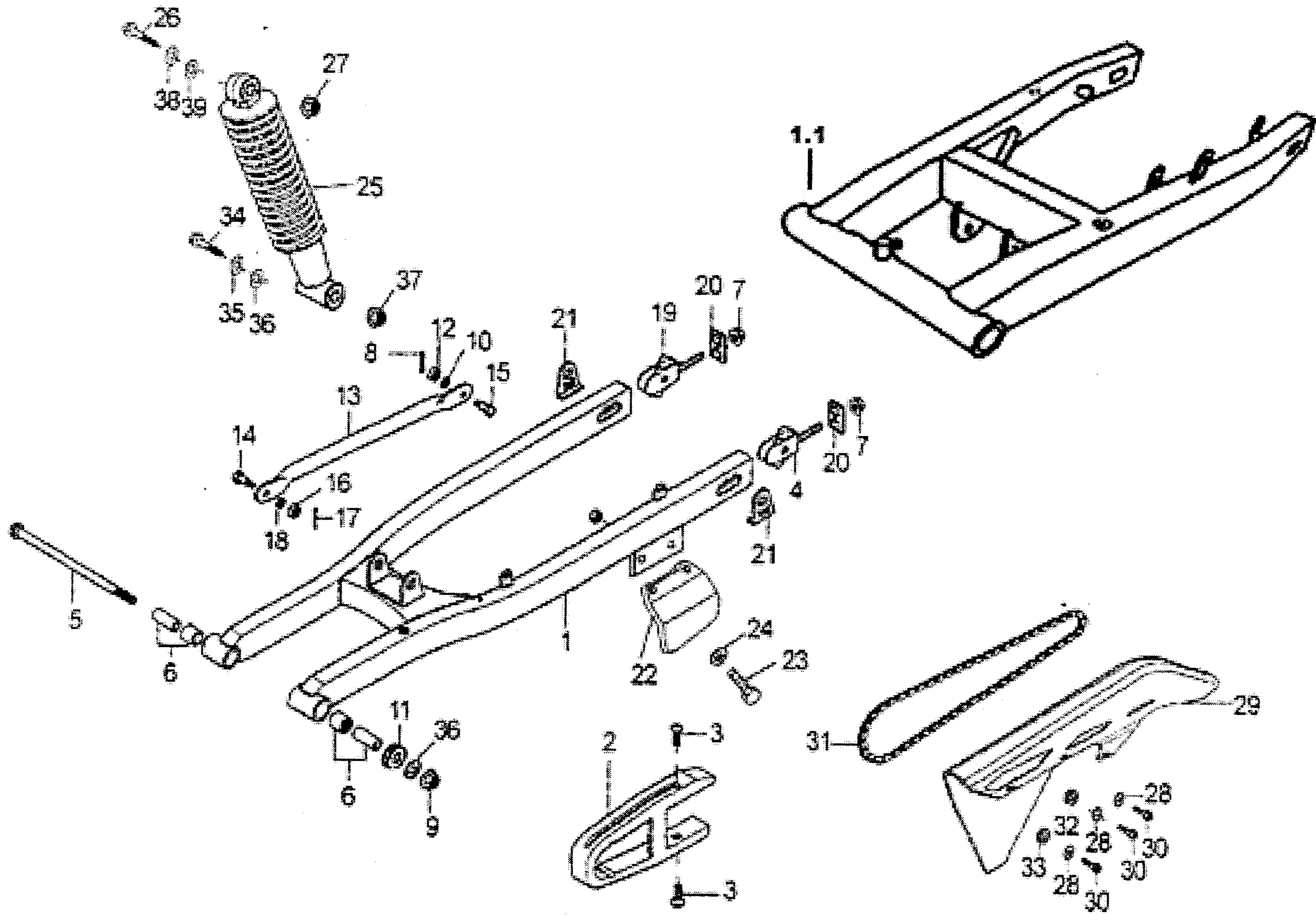
| No. | Codigo MASESA | Part No. | Description | Descripcion MASESA | Qty |
|-----|---------------|------------------|------------------------|----------------------------------|-----|
| 1 | 200DK27-01 | 51111-1111-0100 | FR. HUB | MASA DELANTERA | 1 |
| 2 | 200DK27-02 | 51112-1111-0100 | RIM, FR. WHEEL | CINCHO DE ARO | 1 |
| 3 | 200DK27-03 | 51113-1111-0100 | INNER SPOKE, FR. WHEEL | RAYO INTERNO | 18 |
| 4 | 200DK27-04 | 51113-1111-0100 | OUTER SPOKE, FR. WHEEL | RAYO EXTERNO | 18 |
| 5 | 200DK27-05 | 51115-1111-0100 | NIPPLE, FR. SPOKE | NIPLE DE RAYO | 36 |
| 6 | 200DK27-06 | GB/T276-1994 | BEARING 6300RS | COJINETE 6300 | 2 |
| 7 | 200DK27-07 | 51117-1111-0100 | SPACER | ESPACIADOR | 1 |
| 8 | 200DK27-08 | 51116-1111-0000 | OIL SEAL | RETENEDOR DE LLANTA DELANTERA | 1 |
| 9 | 200DK27-09 | GB/T6187.1-2000 | NUT M10 | TUERCA | 1 |
| 10 | 200DK27-10 | 51181-1111-0000 | AXLE, FR. WHEEL | EJE DE LLANTA DELANTERA | 1 |
| 11 | 200DK27-11 | 51102-1111-0100 | R. SPACER, FR. WHEEL | BUSHING MASA DELANTERA | 1 |
| 12 | 200DK27-12 | 51103-1111-0000 | FR. TIRE COMP 2.75-18 | LLANTA DELANTERA 2.75-18 | 1 |
| 13 | 200DK27-13 | 51104-1111-0000 | TR. TUBE ASSY | TUBO DELANTERO | 1 |
| 14 | 200DK27-14 | 51105-1111-0000 | PROTECTOR, FR. WHEEL | BANDA DE ARO | 1 |
| 15 | 200DK27-15 | GB/T16674-1996 | BOLT M10x25 | TORNILLO | 2 |
| 16 | 200DK27-16 | 53000-1111-0000 | F.DISK BRAKE ASSY | MORDAZA | 1 |
| 17 | 200DK27-17 | GB/T16674-1996 | BOLT M8x35 | TORNILLO DE SANGRADO | 2 |
| 18 | 200DK27-18 | 53330-1111-0000 | FRICTION PLATE ASSY | PASTILLAS DELANTERAS | 1 |
| 19 | 200DK27-19 | 53001-1111-0000 | FIXING BRACKET | PLACA DE PASTILLAS DELANTERAS | 1 |
| 20 | 200DK27-20 | 53010-1111-0000 | LOWER BRAKE CYLINDER | MORDAZA SOLA | 1 |
| 21 | 200DK27-21 | 53040-1111-0000 | BRAKE TUBE | MANGUERA DE FRENO | 1 |
| 22 | 200DK27-22 | 53020-1111-0000 | UPPER BRAKE CYLINDER | PLACA DE MORDAZA | 1 |
| 23 | 200DK27-23 | 53021-1111-0000 | FIXING PLATE | PLACA | 1 |
| 24 | 200DK27-24 | S7014-0000-0000H | BOLT M6x25 | TORNILLO | 2 |
| 25 | 200DK27-25 | 53001-1111-0000 | F.BRAKE DISK | DISCO DE FRENO | 1 |
| 26 | 200DK27-26 | GB/T70.1-2000 | SCREW M8x6 | TORNILLO | 4 |
| 27 | 200DK27-27 | 87330-1111-0000 | COUNTER | CAJA DE ENGRANAJE DE ASPIROMETRO | 1 |



FR.WHEEL/FR.DISK BRAKE (M/06)

FR.WHEEL/FR.DISK BRAKE (M/06)

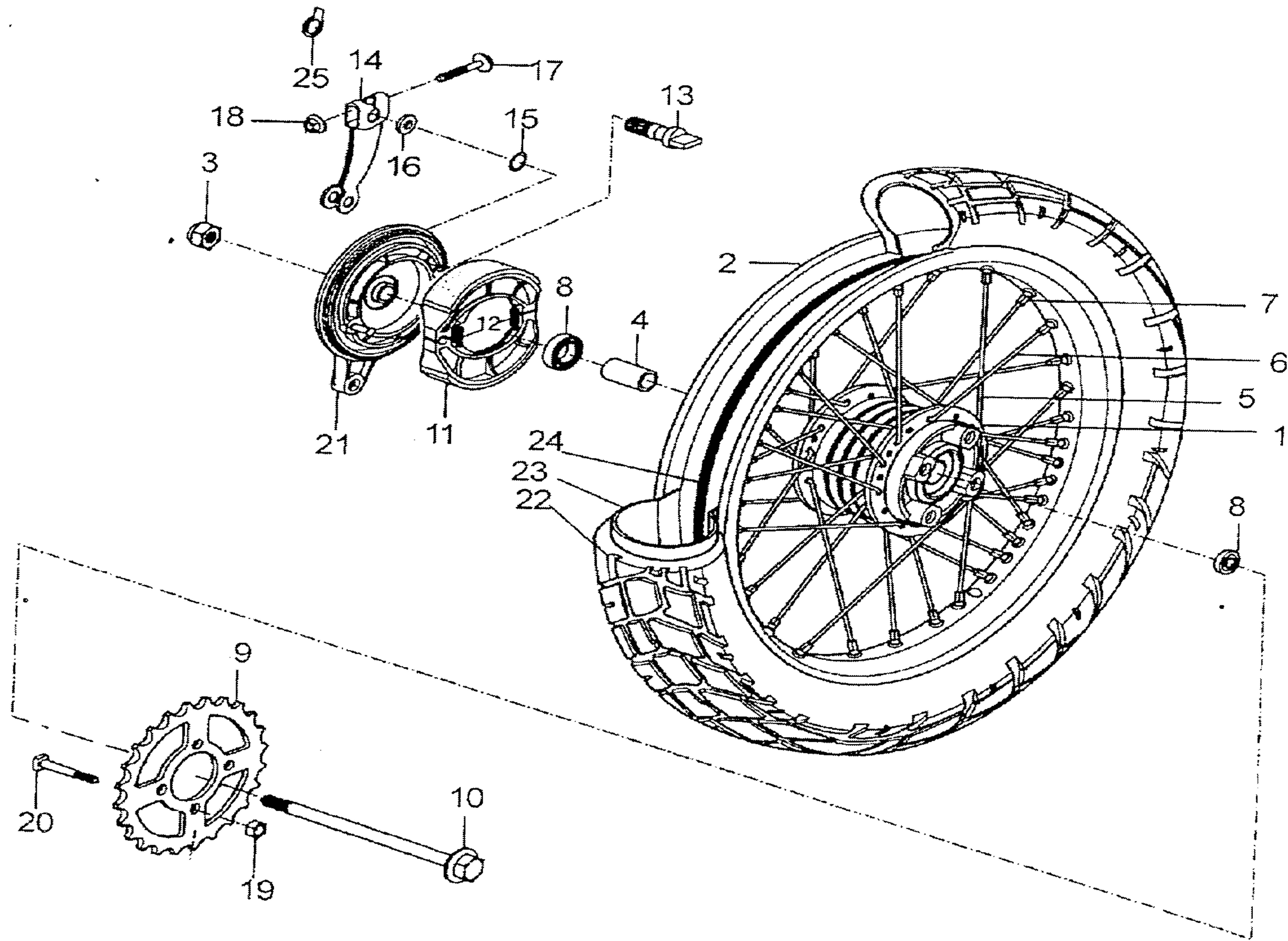
| No. | Codigo MASESA | Part No. | Description | Descripcion MASESA | Qty |
|-----|----------------|-----------------|--------------------------|----------------------------------|-----|
| 1 | 200DK27-01/M06 | 51111-1383-0100 | FRONT HUB | MASA DELANTERA | 1 |
| 9 | 200DK27-09/M06 | MG004-0000-0000 | NUT M10 | TUERCA DE EJE DELANTERO | 1 |
| 10 | 200DK27-10/M06 | 51181-1383-0000 | AXLE, FRONT WHEEL | EJE DE RUEDA DELANTERA | 1 |
| 16 | 200DK27-16/M06 | 53000-1383-0000 | FRONT DISK BRAKE ASSY | MORDAZA COMPLETA | 1 |
| 25 | 200DK27-25/M06 | 53001-1383-0000 | FRONT BRAKE DISK | DISCO DE FRENO DELANTERO | 1 |
| 27 | 200DK27-27/M06 | 87330-1383-0000 | SPEED COUNTER | CAJA DE ENGRANAJE DE ASPIROMETRO | 1 |
| 28 | 200DK27-28/M06 | 30102-1006-0000 | FR BRAKE DISK COVER GREY | COBERTOR DE DISCO DE FRENO | 1 |



RR.SWINGING ARM (SIGNAL RR.DAMPER)

RR.SWINGING ARM (SIGNAL RR.DAMPER)

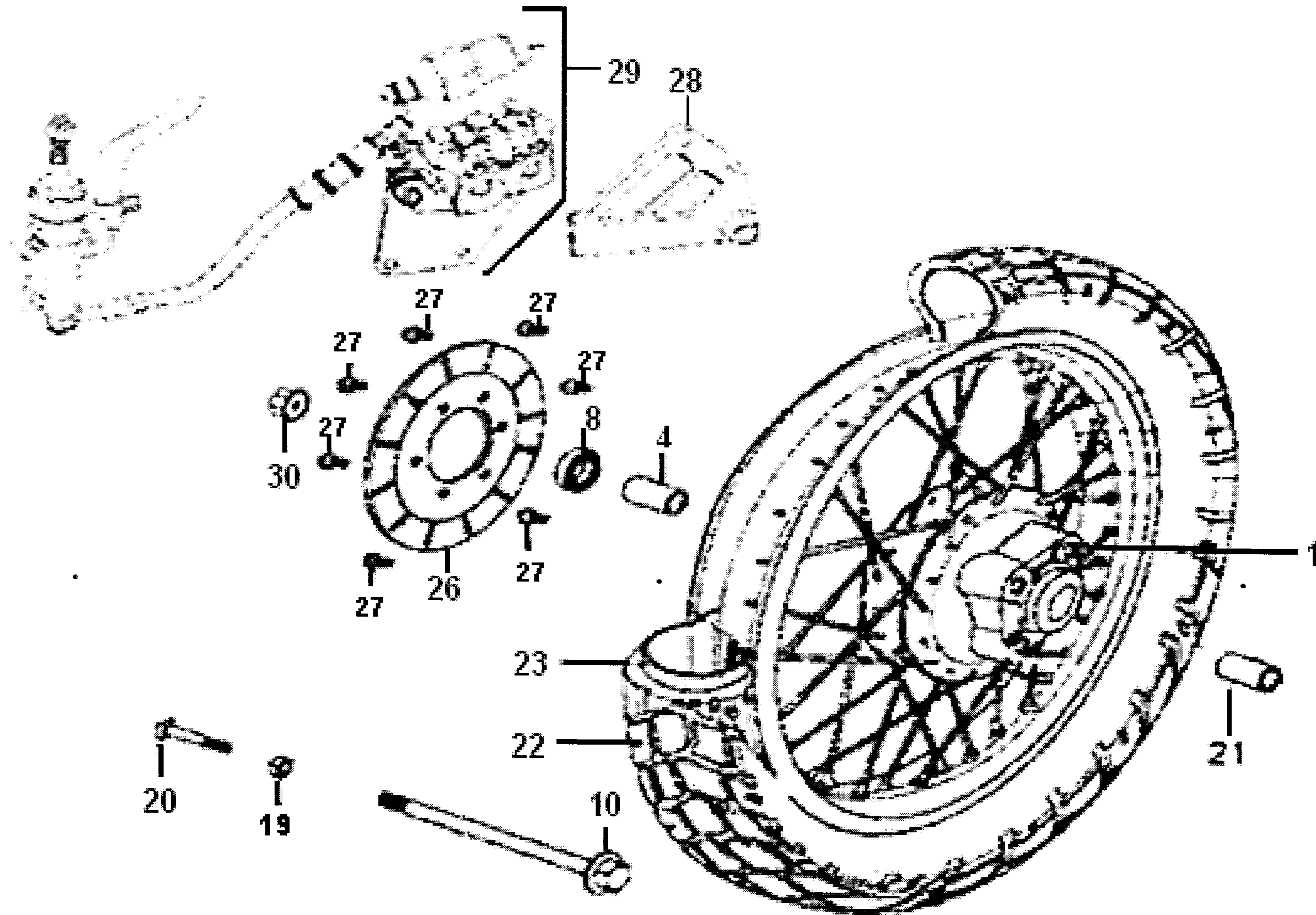
| No. | Codigo MASESA | Part No. | Description | Descripcion MASESA | Qty |
|-----|----------------|-----------------|-----------------------------|---------------------------------|-----|
| 1 | 200DK28-01 | 35220-1111-0100 | SWING ARM COMP | MULETA | 1 |
| 1.1 | 200DK28-01/M06 | 35220-1383-0000 | SWING ARM ASSY | MULETA | 1 |
| 2 | 200DK28-02 | 35001-1111-0000 | BUFFER CHAIN | BUFFER DE MULETA | 1 |
| 3 | 200DK28-03 | GB/T818-2000 | SCREW M6×16 | TORNILLO | 2 |
| 4 | 200DK28-04 | 35010-1111-0000 | L. ADJUSTER COMP CHAIN | TENSOR DE CADENA DE TRACCION LH | 1 |
| 5 | 200DK28-05 | 35281-1111-0000 | SHAFT RR. SWINGARM | EJE DE MULETA | 1 |
| 6 | 200DK28-06 | 35282-1111-0000 | SPACER | BUSHING DE MULETA | 2 |
| 7 | 200DK28-07 | GB/T6170-2000 | NUT M6 | TUERCA | 2 |
| 8 | 200DK28-08 | GB/T91-2000 | COTTER PIN 2×20 | SEGURO | 1 |
| 9 | 200DK28-09 | GB/T6187.1 | NUT M12 | TUERCA DE EJE DE MULETA | 1 |
| 10 | 200DK28-10 | GB/T848-1985 | WASHER 8 | WASHA | 1 |
| 11 | 200DK28-11 | 35201-1111-0000 | DUST SEAL | HULE DE EJE DE MULETA | 2 |
| 12 | 200DK28-12 | GB/T6170-2000 | NUT M8 | TUERCA | 1 |
| 13 | 200DK28-13 | 35212-1111-0000 | TORQUE LINK COMP | ANCLA | 1 |
| 14 | 200DK28-14 | 91121-1111-0000 | BOLT M10×1.25-6g | TORNILLO | 1 |
| 15 | 200DK28-15 | 91122-1111-0000 | BOLT M8×14 | TORNILLO | 1 |
| 16 | 200DK28-16 | GB/T6187.1-2000 | NUT M10 | TUERCA | 2 |
| 17 | 200DK28-17 | GB/T91-2000 | COTTER PIN Φ2×16 | SEGURO | 1 |
| 18 | 200DK28-18 | GB/T96-1985 | WASHER 10 | WASHA | 2 |
| 19 | 200DK28-19 | 35010-1111-0000 | R. ADJUSTER COMP, CHAIN | TENSOR DE CADENA DE TRACCION RH | 1 |
| 20 | 200DK28-20 | 35020-1111-000 | GUIDE PLATE, CHAIN ADJUSTER | BASE DE TENSOR DE CADENA | 2 |
| 21 | 200DK28-21 | 35030-1111-0000 | PRESS PLATE | GUIA DE MULETA | 2 |
| 22 | 200DK28-22 | 35003-1111-0000 | PLATE, CHAIN | PLACA DE PRESION | 1 |
| 23 | 200DK28-23 | GB/T5783-2000 | BOLT M6×16 | TORNILLO | 2 |
| 24 | 200DK28-24 | GB/T96-1985 | WASHER 6 | WASHA | 2 |
| 25 | 200DK28-25 | 33000-1111-0100 | RR. ABSORBER | MONOSHOCK | 1 |
| 26 | 200DK28-26 | GB/T16674-1996 | BOLT M10×35 | TORNILLO SUPERIOR DE MONOSHOCK | 1 |
| 27 | 200DK28-27 | GB/T6187.1-2000 | NUT M10 | TUERCA | 2 |
| 28 | 200DK28-28 | GB/T96-1985 | WASHER 6 | WASHA | 3 |
| 29 | 200DK28-29 | 35100-1111-0000 | CHAIN CASE | CUBRE CADENA | 1 |
| 30 | 200DK28-30 | GB/T5783-1986 | BOLT M6×12 | TORNILLO M6X12 | 3 |
| 31 | 200DK28-31 | 26400-1111-0000 | CHAIN 428H×122 | CADENA DE TRACCION | 1 |
| 32 | 200DK28-32 | 35102-1111-0000 | RUBBER RING CHAIN BOX | HULE DE CUBRECADENA | 2 |
| 33 | 200DK28-33 | 35101-1111-0000 | DAMPER RING, CHAIN BOX | HULE DE CUBRECADENA | 1 |
| 34 | 200DK28-34 | GB/T5783-2000 | BOLT M12×70 | TORNILLO INFERIOR DE MONOSHOCK | 1 |
| 35 | 200DK28-35 | GB/T93-1987 | WASHER 12 | WASHA | 1 |
| 36 | 200DK28-36 | GB/T96-1985 | WASHER 12 | WASHA | 2 |
| 37 | 200DK28-37 | GB/T6187.1-2000 | NUT M12 | TUERCA | 1 |
| 38 | 200DK28-38 | GB/T93-1987 | WASHER 10 | WASHA | 1 |
| 39 | 200DK28-39 | GB/T96-1985 | WASHER 10 | WASHA | 1 |



RR.WHEEL (HUB BRAKE)

RR.WHEEL (HUB BRAKE)

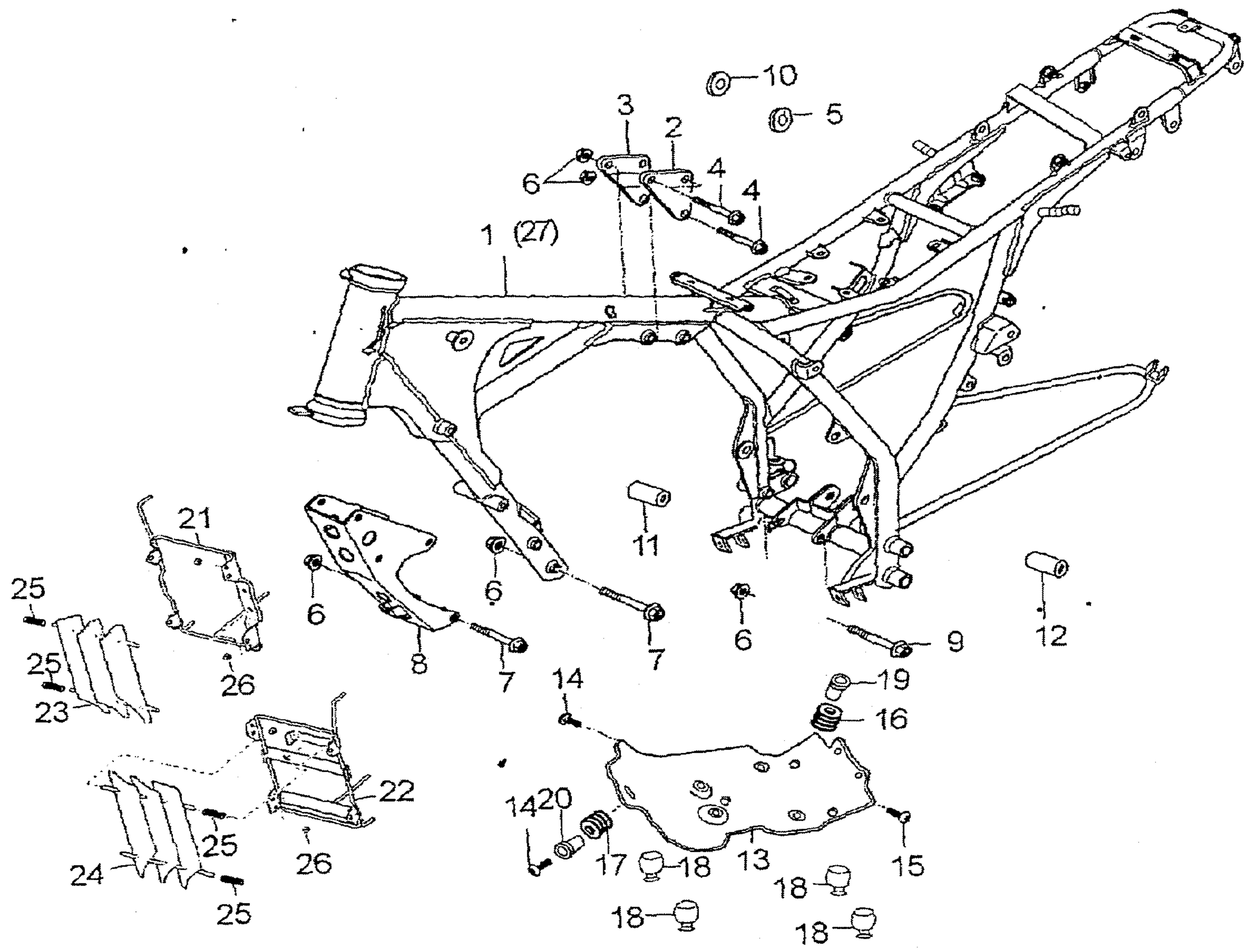
| No. | Codigo MASESA | Part No. | Description | Descripcion MASESA | Qty |
|-----|---------------|-----------------|----------------------------|--------------------------|-----|
| 1 | 200DK29-01 | 51211-1111-0000 | RR. HUB | MAZA TRASERA | 1 |
| 2 | 200DK29-02 | 51212-1111-0000 | RIM, RR. WHEEL | ARO TRASERO | 1 |
| 3 | 200DK29-03 | GB/T6187.1-2000 | NUT M14 | TUERCA | 1 |
| 4 | 200DK29-04 | 51217-1111-0000 | SPACER | ESPACIADOR | 1 |
| 5 | 200DK29-05 | 51213-1111-0000 | INNER SPOKE, RR. WHEEL | RAYO INTERNO | 18 |
| 6 | 200DK29-06 | 51213-1111-0000 | OUTER SPOKE, RR. WHEEL | RAYO EXTERNO MOD06 | 18 |
| 7 | 200DK29-07 | 51214-1111-0000 | NIPPLE, WHEEL SPOKE | NIPLE DE RAYO TRASERO | 36 |
| 8 | 200DK29-08 | GB/T276-1994 | BEARING 6300RS | COJINETE 6300 | 2 |
| 9 | 200DK29-09 | 55002-1111-0000 | SPROCKET | ESPROCKET TRASERO | 1 |
| 10 | 200DK29-10 | 51281-1111-0000 | RR. AXLE | EJE DE MAZA TRASERA | 1 |
| 11 | 200DK29-11 | 54220-1111-0000 | SHOE COMP, RR. BRAKE | FRICCIONES TRASERAS | 2 |
| 12 | 200DK29-12 | 54204-1111-0000 | SPRING, RR. BRAKE SHOE | RESORTE DE FRICCIONES | 2 |
| 13 | 200DK29-13 | 54206-1111-0000 | CAM, RR BRAKE | EJE PLATO DE FRICCION | 1 |
| 14 | 200DK29-14 | 54203-1111-0000 | LEVER, RR. BRAKE | BRAZO DE FRICCIONES | 1 |
| 15 | 200DK29-15 | 90118-1111-0000 | SEAL | ORING | 1 |
| 16 | 200DK29-16 | GB/T848-1985 | WASHER 6 | WASHA | 1 |
| 17 | 200DK29-17 | GB/T5782-2000 | BOLT M6x35 | TORNILLO | 1 |
| 18 | 200DK29-18 | GB/T6170-2000 | BOLT M6 | TORNILLO | 1 |
| 19 | 200DK29-19 | GB/T6177.2-2000 | NUT M10 | TUERCA | 4 |
| 20 | 200DK29-20 | 91118-1111-0000 | STUD | TORNILLO DE ESPROCKET | 4 |
| 21 | 200DK29-21 | 54240-1111-0000 | PANEL COMP, RR. BRAKE | PANEL FRICCIONES | 1 |
| 22 | 200DK29-22 | 51203-1111-0000 | RR. TIRE COMP 3.00-16 | LLANTA TRASERA | 1 |
| 23 | 200DK29-23 | 51204-1111-0000 | RR. TUBE | TUBO TRASEROÇ | 1 |
| 24 | 200DK29-24 | 51205-1111-0000 | PROTECTOR, RR. WHEAL INNER | HULE PROTECTOR DE TUBO | 1 |
| 25 | 200DK29-25 | 54205-1111-0000 | INDICATOR, RR. BRAKE | INDICADOR NIVEL DE FRENO | 1 |



RR.WHEEL (DISK BRAKE) (M/06)

RR.WHEEL (DISK BRAKE) (M/06)

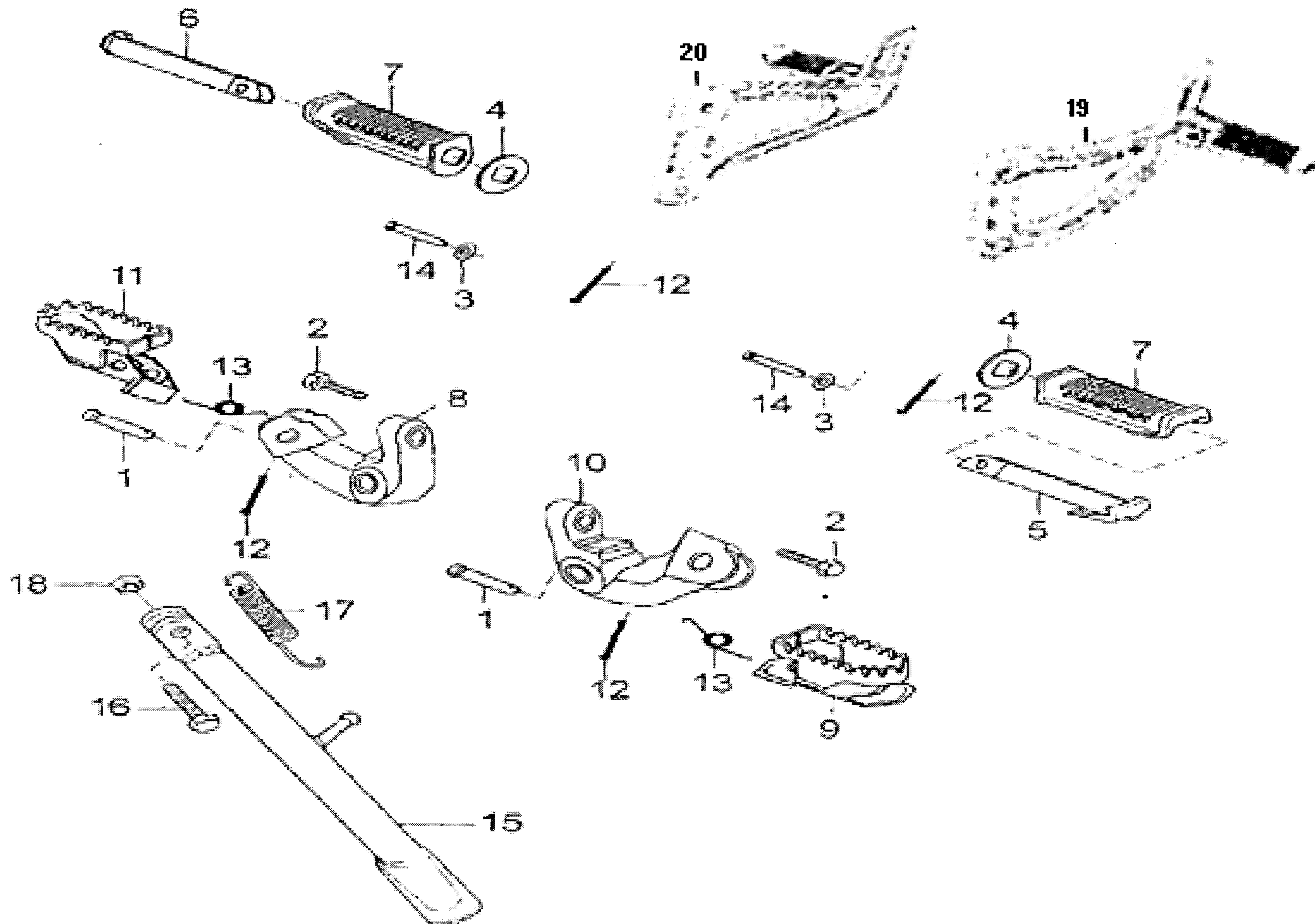
| No. | Codigo MASESA | Part No. | Description | Descripcion MASESA | Qty |
|-----|----------------|-----------------|------------------------------|----------------------------|-----|
| 1 | 200DK29-01/M06 | 51211-1383-0000 | REAR HUB | MASA TRASERA | 1 |
| 4 | 200DK29-04/M06 | 51207-1111-0000 | SPACER RH | ESPACIADOR | 1 |
| 8 | 200DK29-08/M06 | Z0189-0000-0000 | BEARING 6300RS | COJINETE 6300 | 2 |
| 10 | 200DK29-10/M06 | 51281-1111-0000 | REAR AXLE M14 X 1,25 X2,95 | EJE DE RUEDA TRASERA. | 1 |
| 19 | 200DK29-19/M06 | 55021-1383-0000 | NUT M8 | TUERCA DE EJE TRASERO | 6 |
| 20 | 200DK29-20/M06 | 55022-1383-0000 | BOLT M8 X 50 | TORNILLO DE ESPOCKET | 6 |
| 21 | 200DK29-21/M06 | 51201-1111-0000 | L.BUSH,REAR WHEEL AXLE | BUSHING | 1 |
| 22 | 200DK29-22/M06 | 51203-1111-0000 | OUTER TIRE, RR WHEEL 3,00-16 | LLANTA TRASERA | 1 |
| 23 | 200DK29-23/M06 | 51204-1111-0000 | INNER TIRE, REAR WHEEL | TUBO DE LLANTA | 1 |
| 26 | 200DK29-26/M06 | 53100-1383-0000 | REAR DISK BRAKE | DISCO DE FRENO TRASERO | 1 |
| 27 | 200DK29-27/M06 | L1023-0000-000 | SCREW M8 X 16 | TORNILLO DE DISCO DE FRENO | 6 |
| 28 | 200DK29-28/M06 | 53241-1383-0000 | FIX PLATE | BASE DE DISCO | 1 |
| 29 | 200DK29-29/M06 | 53101-1383-000 | REAR DISK BRAKE ASSY | BOMBA DE MORDAZA | 1 |
| 30 | 200DK29-30/M06 | MG006-0000-0000 | NUR M14 X 1,25 | TUERCA DE EJE TRASERO | 1 |



FRAME COMP

FRAME COMP

| No. | Codigo MASESA | Part No. | Description | Descripcion MASESA | Qty |
|-----|---------------|-----------------|---------------------------------|----------------------------|-----|
| 1 | 200DK30-01 | 31100-1111-0000 | FRAME COMP | CHASIS | 1 |
| 2 | 200DK30-02 | 32302-1111-0000 | R.UPPER CONNECTOR PLATE | PLACA CONECTORA RH | 1 |
| 3 | 200DK30-03 | 32301-1111-0000 | L.UPPER CONNECTOR PLATE | PLACA CONECTORA LH | 1 |
| 4 | 200DK30-04 | GB/T16674-1996 | BOLT M8×70 | TORNILLO | 3 |
| 5 | 200DK30-05 | GB/T93-1987 | SPRING WASHER 8 | WASHA | 7 |
| 6 | 200DK30-06 | GB/T6187.1-2000 | NUT M8 | TUERCA | 7 |
| 7 | 200DK30-07 | GB/T16674-1996 | BOLT M8×60 | TORNILLO | 2 |
| 8 | 200DK30-08 | 32303-1111-0000 | FR.SUSPENDER, ENGINE | BASE FRONTAL DE CHASIS | 1 |
| 9 | 200DK30-09 | GB/T16674-1996 | BOLT M8×90 | TORNILLO | 2 |
| 10 | 200DK30-10 | GB/T79.1-1985 | WASHER 8 | WASHA | 7 |
| 11 | 200DK30-11 | 32308-1111-0000 | R. SPACER ENGINE | ESPACIADOR RH | 1 |
| 12 | 200DK30-12 | 32309-1111-0000 | L. SPACER ENGINE | ESPACIADOR LH | 1 |
| 13 | 200DK30-13 | 31110-1111-0000 | LOWER PROTECTOR ENGINE | PROTECTOR DE MOTOR | 1 |
| 14 | 200DK30-14 | GB/T5783-2000 | BOLT M6×16 | TORNILLO | 2 |
| 15 | 200DK30-15 | GB/T5783-2000 | BOLT M8×20 | TORNILLO | 1 |
| 16 | 200DK30-16 | 31114-1111-0000 | RR. RUBBER SLEEVE PROTECTOR | HULE PROTECTOR DE MOTOR RR | 2 |
| 17 | 200DK30-17 | 31115-1111-0000 | FR. RUBBER SLEEVE PROTECTOR | HULE PROTECTOR DE MOTOR FR | 1 |
| 18 | 200DK30-18 | 31116-1111-0000 | DAMPER ENGINE | HULE | 4 |
| 19 | 200DK30-19 | 31117-1111-0000 | SPACER | ESPACIADOR | 2 |
| 20 | 200DK30-20 | 31118-1111-0000 | SPACER | ESPACIADOR | 1 |
| 21 | 200DK30-21 | 62120-1111-0000 | BRACKET COMP.R | BASE DE DISIPADOR RH | 1 |
| 22 | 200DK30-22 | 62110-1111-0000 | BRACKET COMP.L | BASE DE DISIPADOR LH | 1 |
| 23 | 200DK30-23 | 62140-1111-0000 | GRILLE.R | DISIPADOR DE AIRE RH | 1 |
| 24 | 200DK30-24 | 62130-1111-0000 | GRILLE.L | DISIPADOR DE AIRE LH | 1 |
| 25 | 200DK30-25 | 63401-1111-0000 | SPRING GRILLE | RESORTE DE DISIPADOR | 4 |
| 26 | 200DK30-26 | GB/T6170-2000 | NUT M6 | TUERCA | 4 |
| 27 | 200DK30-27 | 31100-1111-0100 | FRAME COMP (SINGAL RR.DAMPER) | SERIE DE CHASIS | 1 |



FOOT REST

FOOT REST

| No. | Codigo MASESA | Part No. | Description | Descripcion MASESA | Qty |
|-----|----------------|-----------------|----------------------------|--------------------------|-----|
| 1 | 200DK31-01 | GB/T118-2000 | PIN 6×30 | PIN | 2 |
| 2 | 200DK31-02 | GB/T5783-2000 | BOLT M10×30 | TORNILLO | 2 |
| 3 | 200DK31-03 | GB/T97.1-1985 | WASHER 6 | WASHA | 4 |
| 4 | 200DK31-04 | 32417-1111-0000 | LIMIT PLATE, RR. FOOTREST | PLACA DE TACO | 2 |
| 5 | 200DK31-05 | 32414-1111-0000 | BAR COMP, RR. FOOTREST.L | BARRA DE TACO RR LH | 1 |
| 6 | 200DK31-06 | 32424-1111-0000 | BAR COMP, RR. FOOTREST.R | BARRA DE TACO RR RH | 1 |
| 7 | 200DK31-07 | 32416-1111-0000 | RUBBER SLEEV, RR. FOOTREST | HULE DE TACO RR | 2 |
| 8 | 200DK31-08 | 32161-1111-0000 | FIX PLATE, FR. FOOTREST.R | TACO DELANTERO | 1 |
| 9 | 200DK31-09 | 32153-1111-0000 | PADLE, FR. FOOTREST.L | TACO DELANTERO | 1 |
| 10 | 200DK31-10 | 32151-1111-0000 | FIX PLATE, FR. FOOTREST.L | TACO DELANTERO LH | 1 |
| 11 | 200DK31-11 | 32163-1111-0000 | PADLE, FR FOOTREST.R | TACO DELANTERO RH | 1 |
| 12 | 200DK31-12 | GB/T91-2000 | COTTER PIN Φ2×16 | SEGURO | 4 |
| 13 | 200DK31-13 | 32169-1111-0000 | SPRING, FR. FOOTREST | RESORTE DE TACO | 2 |
| 14 | 200DK31-14 | GB/T118-2000 | PIN 6×30 | PIN | 2 |
| 15 | 200DK31-15 | 32130-1111-0000 | SIDE STAND | PATA LATERAL | 1 |
| 16 | 200DK31-16 | 32131-1111-0000 | SIDE STAND BOLT | TORNILLO DE PATA LATERA | 1 |
| 17 | 200DK31-17 | 32109-1111-0000 | SPRING | RESORTE DE PATA LATERAL | 1 |
| 18 | 200DK31-18 | GB/T6170-2000 | NUT M8 | TUERCA | 1 |
| 19 | 200DK31-19/M06 | 32410-1383-0000 | L.REAR FOOTREST | TACO TRASERO LH COMPLETO | 1 |
| 20 | 200DK31-20/M06 | 32420-1383-0000 | R.REAR FOOTREST | TACO TRASERO RH COMPLETO | 1 |